

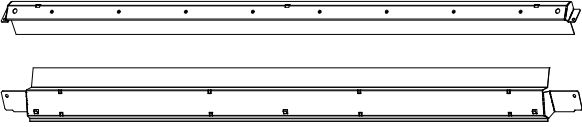

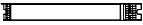


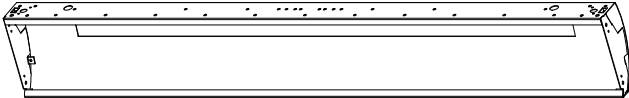
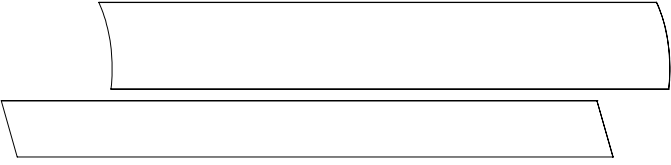
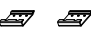

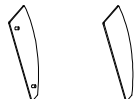
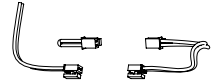




# S12 LED 2E Wall Mount Recycling

## Disassembly Instructions

**FINELITE®**  
Better Lighting

Patent Pending

S12 LED 2E Wall Mount breaks down easily for recycling at the end of usable life.

<p>Reflectors</p> 	<p>Wall Rail</p> 		
<p>Driver</p> 	<p>Ballast Channels</p> 		
<p>LED Array</p> 	<p>Housing</p> 		
<p>Diffusers</p> 	<p>Wall Brackets</p> 		
	<p>Saddle Brackets</p> 		
	<p>Endcaps</p> 		
	<p>Wiring</p> 		
			

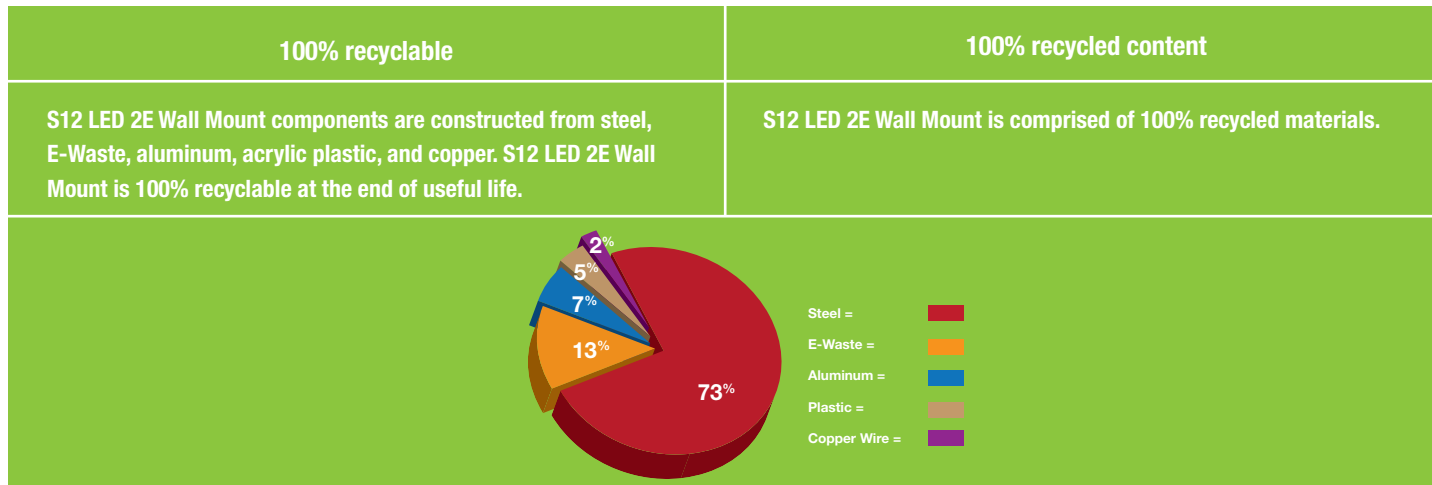
\* Recycling information typical for all luminaire sizes. Contact factory for more information.

# S12 LED 2E Wall Mount Environmental Product Summary



**FINELITE®**  
Better Lighting

S12 LED 2E Wall Mount data shown



© 2020 FINELITE, INC. ALL RIGHTS RESERVED. 0P00078 V2 EFFECTIVE DATE: 07/20