

# HP-2 / HP-4 Wall Wash Surface Mount Installation Instructions

## Overview

### NOTES

- All power connections should be installed according to local/national codes by a Certified Electrician.
- This installation requires **proper support** as each luminaire is being installed.
- **DO NOT attempt to join luminaires together on the floor.** Damage may result when lifted.



HELPFUL  
VIDEOS



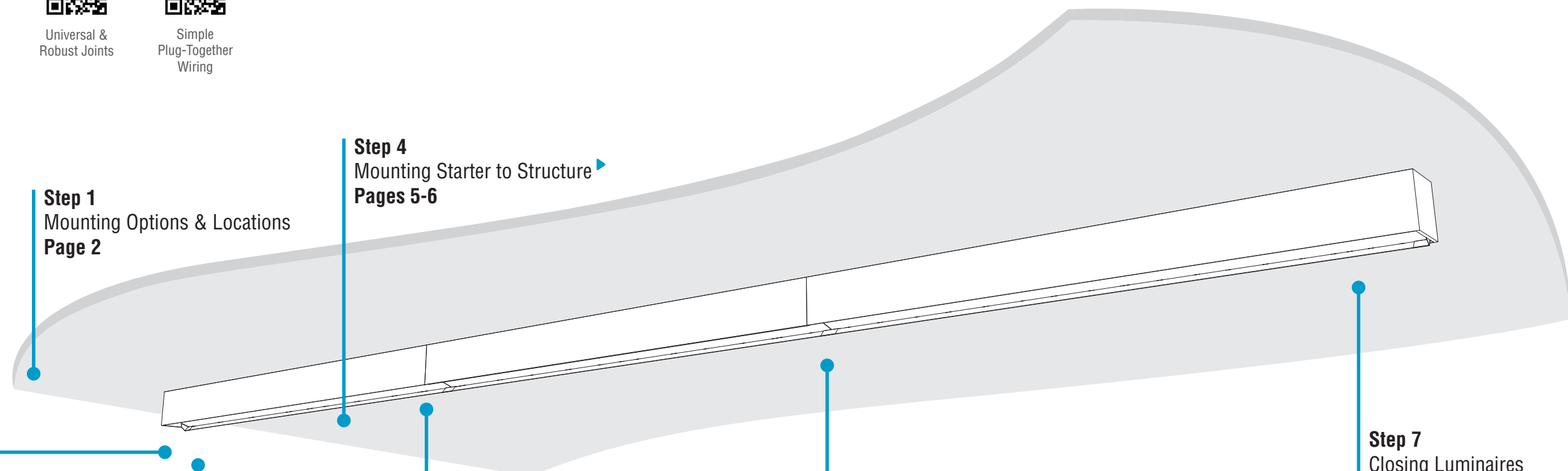
0-10V  
Dimming



Universal &  
Robust Joints



Simple  
Plug-Together  
Wiring



**Step 1**  
Mounting Options & Locations  
Page 2

**Step 4**  
Mounting Starter to Structure  
Pages 5-6

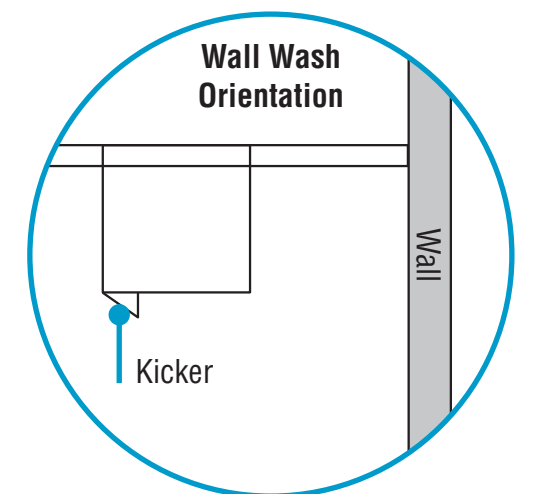
**Step 2**  
Identification & Preparation  
Page 3

**Step 3**  
Opening Luminaires  
Page 4

**Step 5**  
Joining Luminaires  
Page 7

**Step 6**  
Securing Luminaire Joints  
Page 8

**Step 7**  
Closing Luminaires  
Pages 9-10



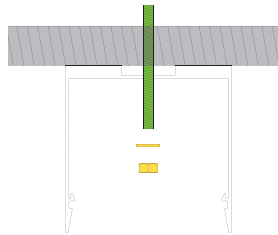
# HP-2 / HP-4 Wall Wash Surface Mount Installation Instructions

## Step 1 - Mounting Options & Locations

### Mounting Options

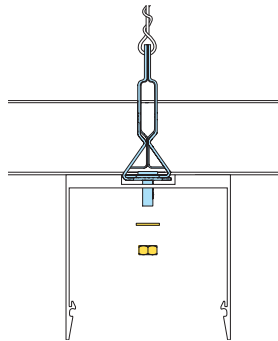
#### Option 1 - Mount to Threaded Rod

- Install threaded rods to structure.
- Threaded rod must exceed distance to wall/ceiling surface by 1-1/2".
- Install electrical junction box and electrical conduit at feed locations.



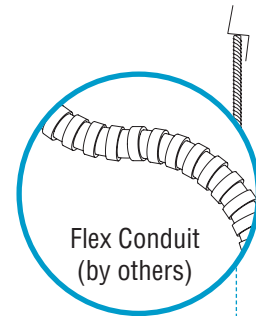
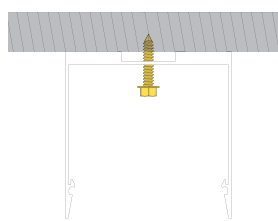
#### Option 2 - Mount to T-Bar

- Install caddy clips onto T-Bar at mounting point locations.
- All caddy clips are to be secured to structure, per local building codes.

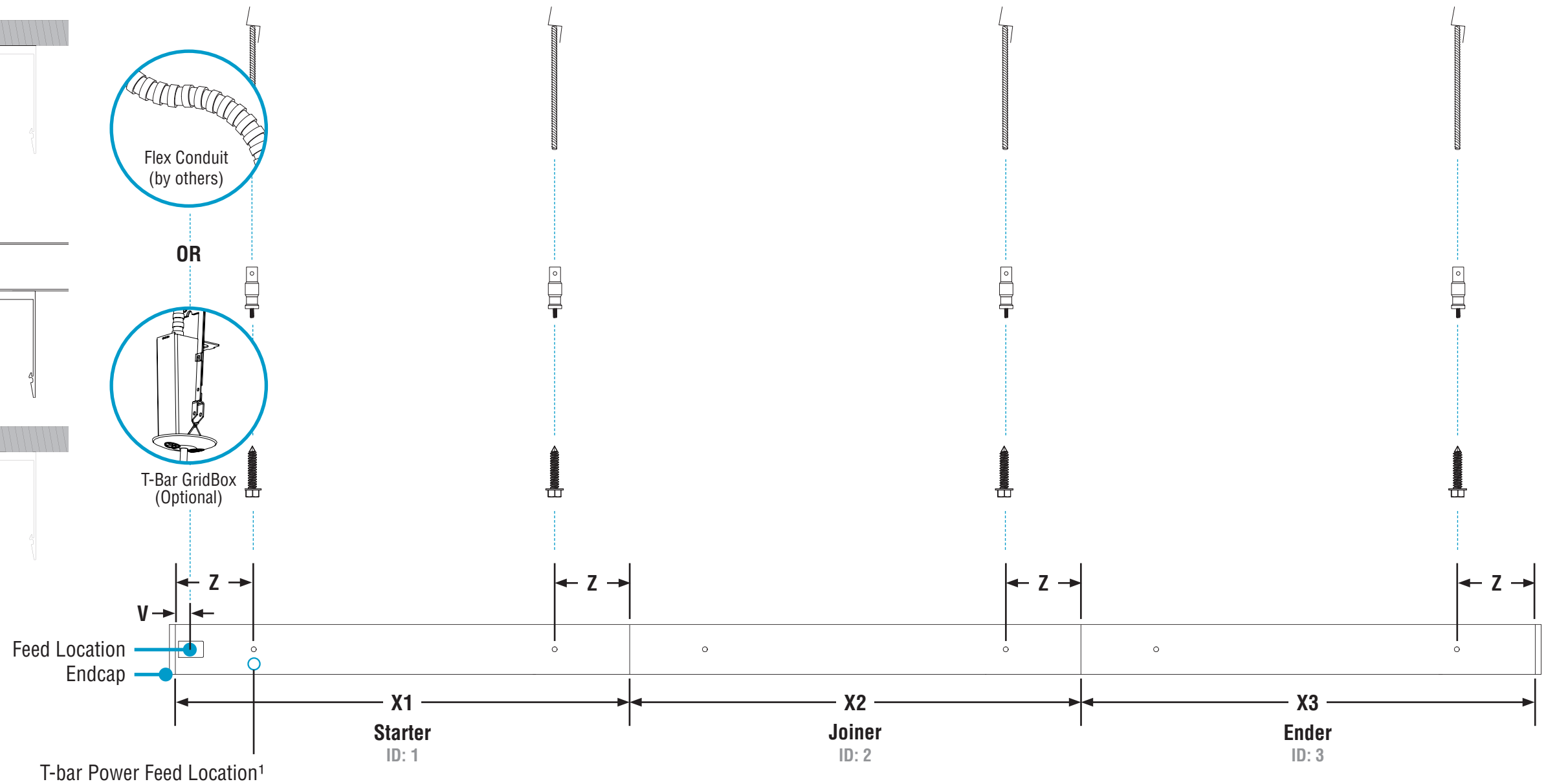
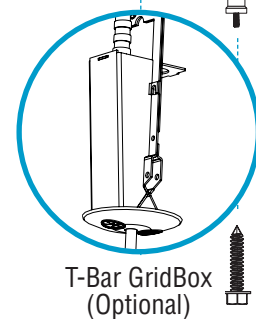


#### Option 3 - Mount to Support Structure

- Support blocking must not exceed distance to wall/ceiling surface.
- Install electrical junction box and electrical conduit at feed locations.



OR



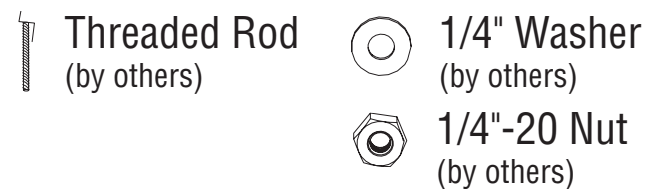
### Mounting Locations

X = Luminaire section length  
(X Measurements do not include endcaps)

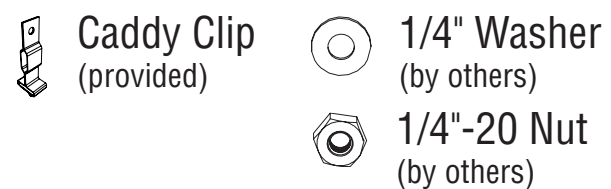
	Z = Mounting Hole Location	V = Feed Location
HP-2	5"	3/4"
HP-4	6"	1-1/8"

- Luminaire mounting holes sized for 1/4"-20 hardware.
- Refer to Record Drawings and building plans to determine exact mounting, suspension points, and power feed locations.
- **CRITICAL:** Drywall or weak paneling must be secured to support blocking (studs) around wall/ceiling.

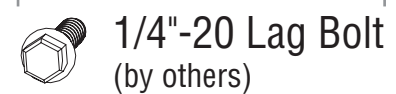
#### Mounting Option 1



#### Mounting Option 2



#### Mounting Option 3



<sup>1</sup> For surface mount to T-Bar mounting, power feed location will be offset from the middle of the luminaire to accommodate the T-Bar.

# HP-2 / HP-4 Wall Wash Surface Mount Installation Instructions

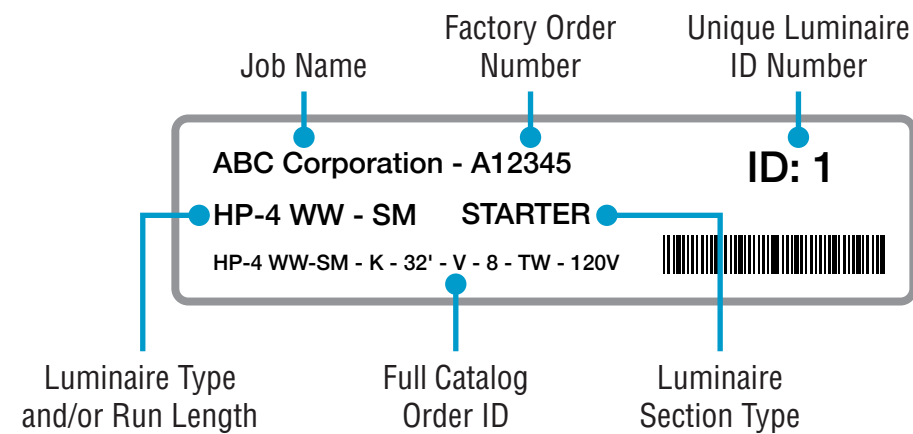
## Step 2 - Identification & Preparation

### A. Identify Luminaires



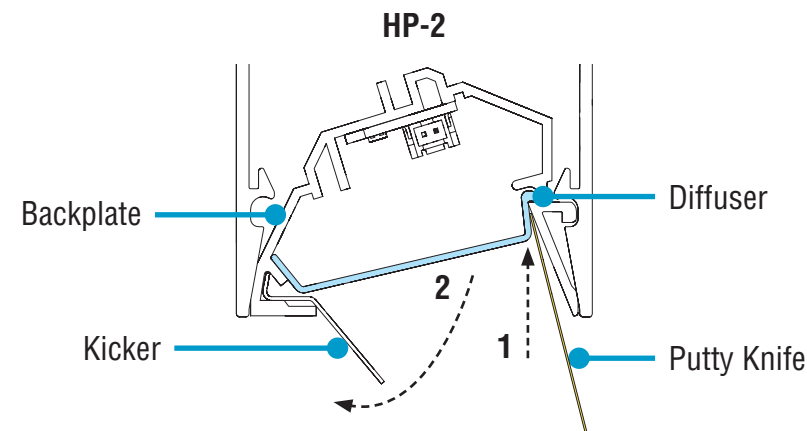
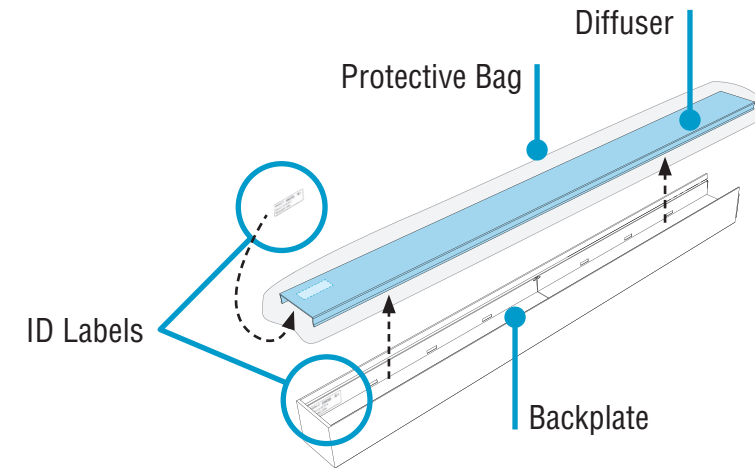
**CAUTION**

Arrange luminaires in order according to ID# at their install locations.

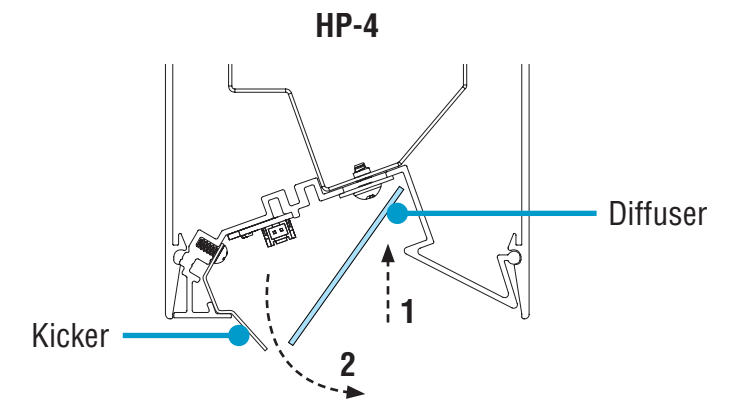


- Identify all luminaires by their ID label that can be found on the box, on the diffuser, and inside the luminaire.
- NOTE:** Exact location of labels in these areas may vary.
- Remove all luminaires from their box.
- Refer to Record Drawings that can be found in the hardware kit.

### B. Remove Diffusers



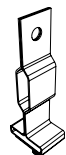
- Slide putty knife between the backplate and diffuser.
  - Carefully separate diffuser from the backplate, keeping it inside its protective bag.
- Carefully remove all diffusers.
  - Set aside all diffusers to prevent from getting dirty or damaged.
  - Ensure diffuser can be clearly identified back to its corresponding luminaire.



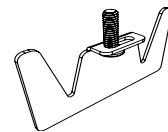
- Push bottom edge of the diffuser into backplate.
  - Slide diffuser out of backplate, keeping it inside its protective bag.
- Carefully remove all diffusers.
  - Set aside all diffusers to prevent from getting dirty or damaged.
  - Ensure diffuser can be clearly identified back to its corresponding luminaire.

### Kitted Hardware

- Finelite has provided items listed here, with their Finelite part numbers. These items can be found in separate boxes shipped with the luminaire.
- Account for all parts and set aside until they are needed.
- All other hardware needed for this installation will be by others.



**Caddy Clip**  
C1 Ceiling - Part# 94001  
C2 Ceiling - Part# 94020  
C3 Ceiling - Part# 94029  
Mounting Options & Locations  
p. 2, Step 1  
Mounting Starter to Structure  
p. 6, Step 4



**Yoke Bracket**  
Part# 45042  
**#10-32 x 5/8" Screw**  
Part# 94144  
Securing Luminaire Joints  
p. 8, Step 6



**#8-18 x 1/4" Screw**  
Part# 69026  
Opening Luminaires  
p. 4, Step 3  
Closing Luminaires  
p. 9, Step 7



**1/4" Washer**  
Part# 94082  
Opening Luminaires  
p. 4, Step 3  
Closing Luminaires  
p. 9, Step 7

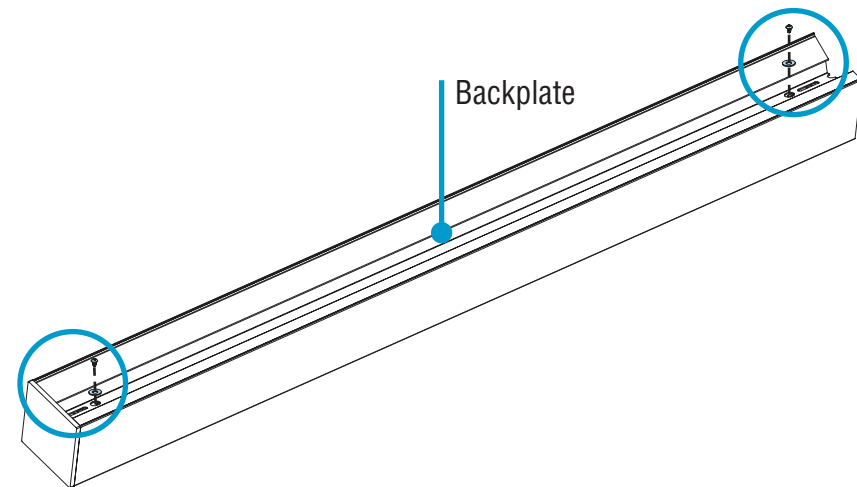


**#10 x 1/2" Screw**  
Part# 92081  
Closing Luminaires  
p. 9, Step 7

# HP-2 / HP-4 Wall Wash Surface Mount Installation Instructions

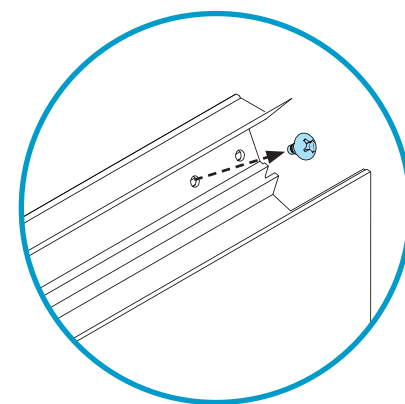
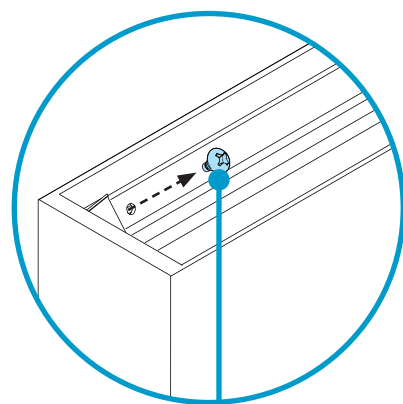
## Step 3 - Opening Luminaires

### A. Release Backplates

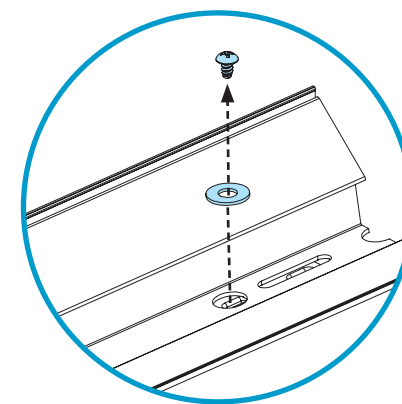
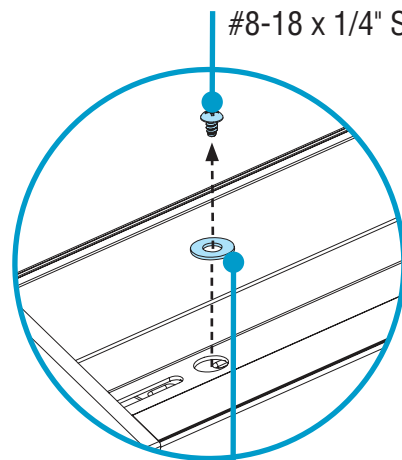


HP-2

HP-4



#8-18 x 1/4" Screw (provided)



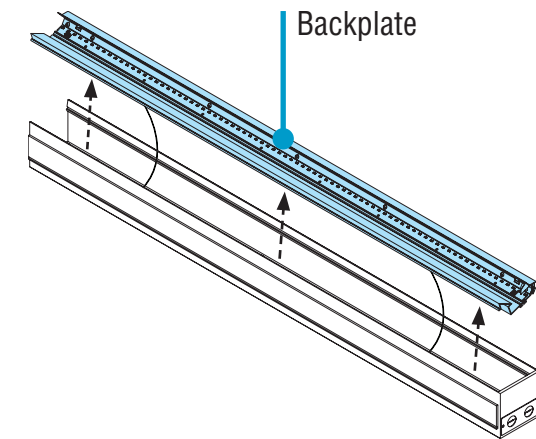
#8-18 x 1/4" Screw (provided)

1/4" Washer (provided)

- **NOTE:** If installing an independent, leave backplates installed and **PROCEED TO STEP 4.**
- Release backplate from luminaire body by removing the #8-18 x 1/4" screw from both ends of the luminaire.
- **CAUTION:** Set these screws aside. Do not lose.

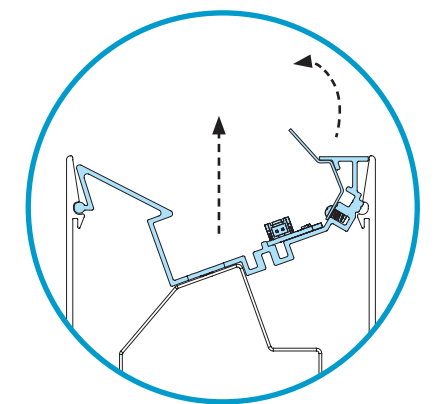
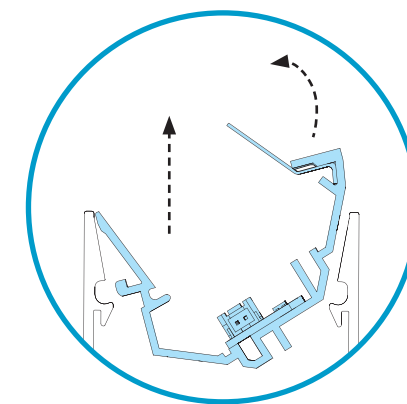
- **NOTE:** If installing an independent, leave backplates installed and **PROCEED TO STEP 4.**
- Release backplate from luminaire body by removing the #8-18 x 1/4" screw and 1/4" washer from both ends of the luminaire.
- **CAUTION:** Set these screws and washers aside. Do not lose.

### B. Remove Backplates



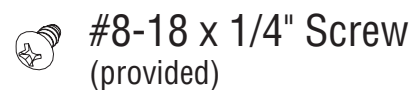
HP-2

HP-4



- Remove backplates by rotating then lifting **up and out** of the luminaire body.
- Keep backplate hanging with safety cables connected.

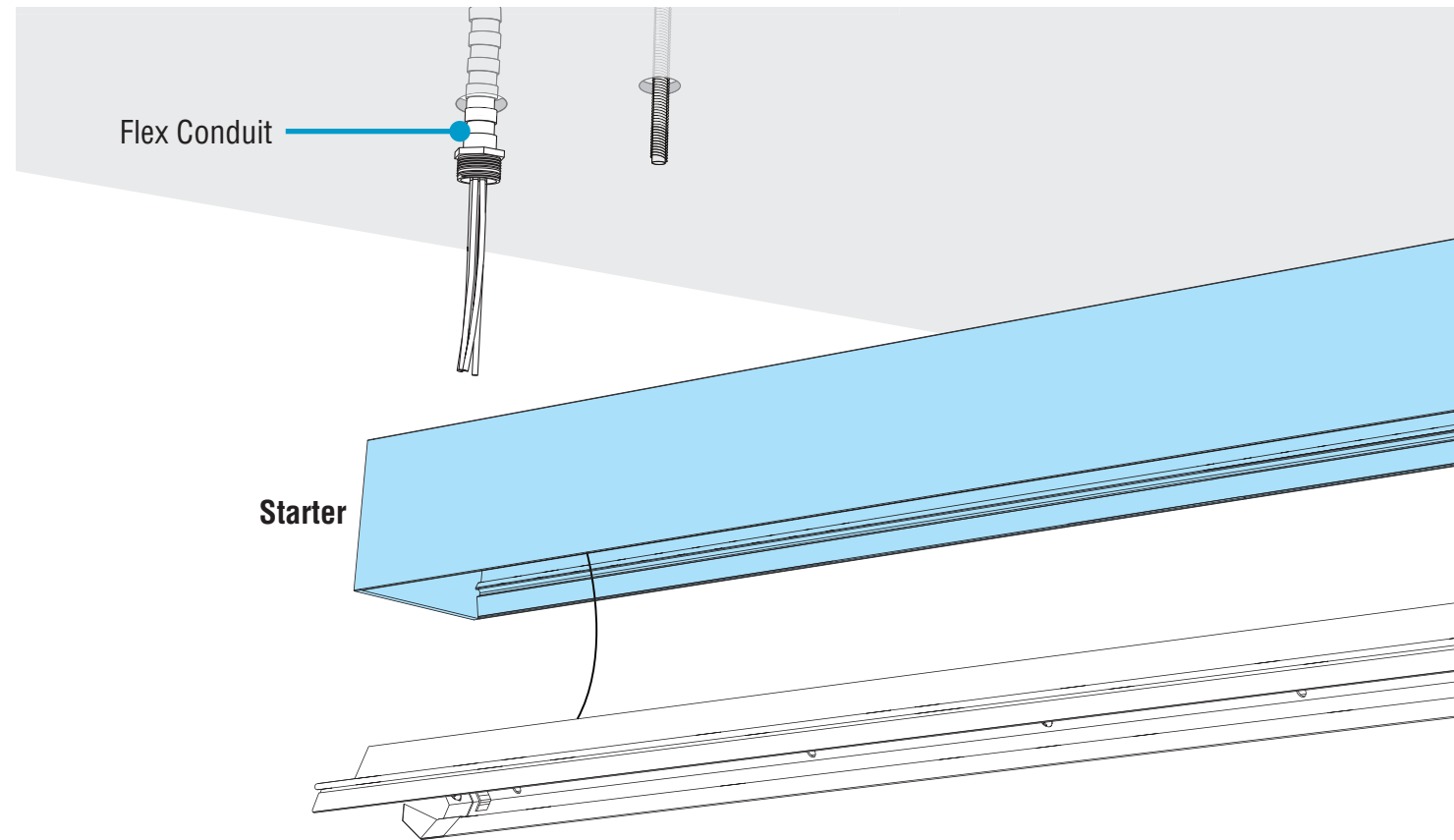
- Remove backplates by rotating then lifting **up and out** of the luminaire body.
- Keep backplate hanging with safety cables connected.



# HP-2 / HP-4 Wall Wash Surface Mount Installation Instructions

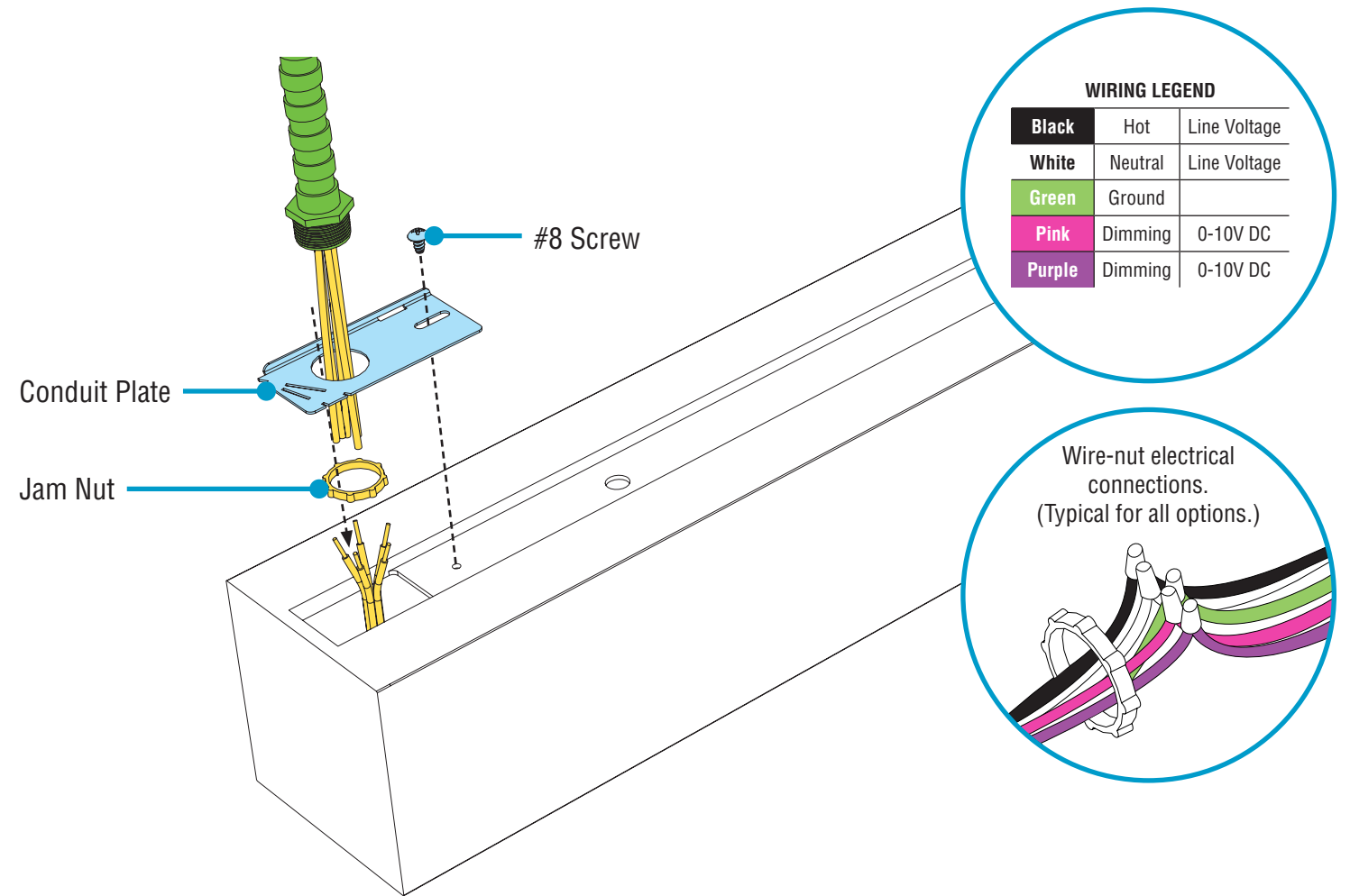
## Step 4 - Mounting Starter to Structure

### A. Make Electrical Connections



- While properly supporting luminaire, maneuver luminaire near wall/ceiling opening.
- Make electrical connections at **TOP** of luminaire.

 Flex Conduit  
(by others)




- Remove screw holding conduit plate.
- Install flex conduit and nut onto conduit plate.
- Wire-nut electrical connections. See wiring legend above.
- Reinstall conduit plate and screw. Do not damage any wires.

**WIRING LEGEND**

<b>Black</b>	Hot	Line Voltage
<b>White</b>	Neutral	Line Voltage
<b>Green</b>	Ground	
<b>Pink</b>	Dimming	0-10V DC
<b>Purple</b>	Dimming	0-10V DC

Wire-nut electrical connections.  
(Typical for all options.)



**CONTINUED**

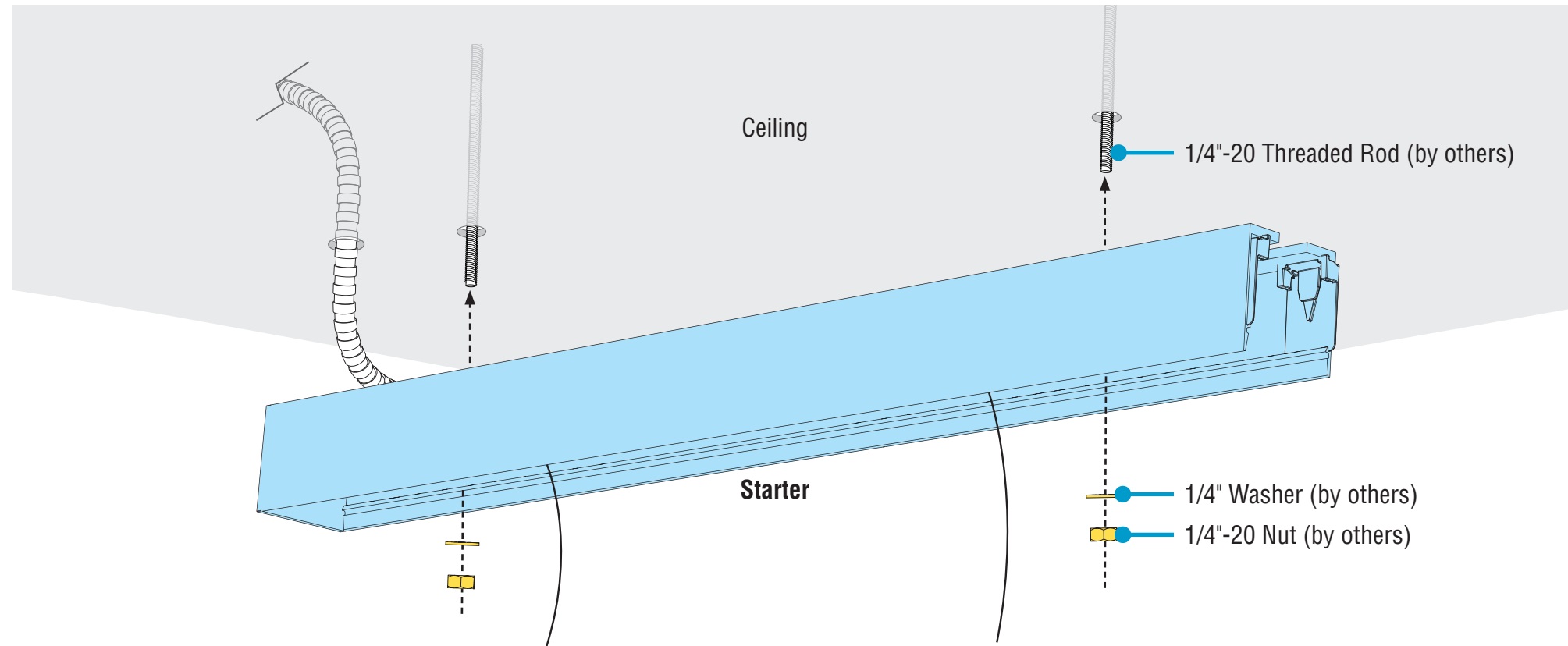


0-10V  
Dimming

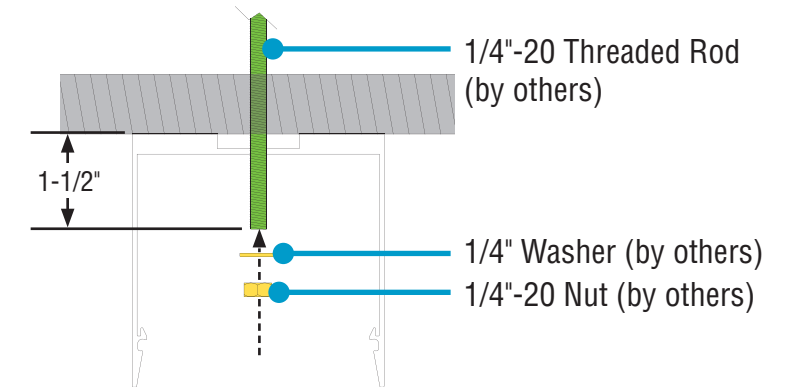
# HP-2 / HP-4 Wall Wash Surface Mount Installation Instructions

## Step 4 - Mounting Starter to Structure

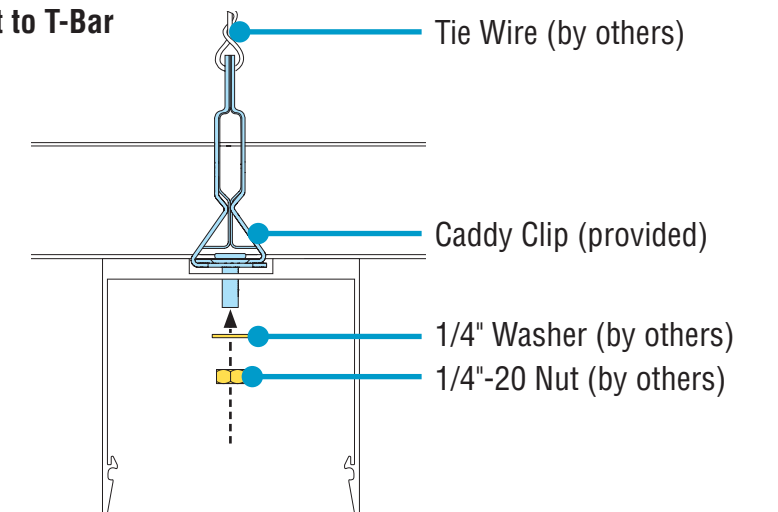
### B. Mount Starter to Structure



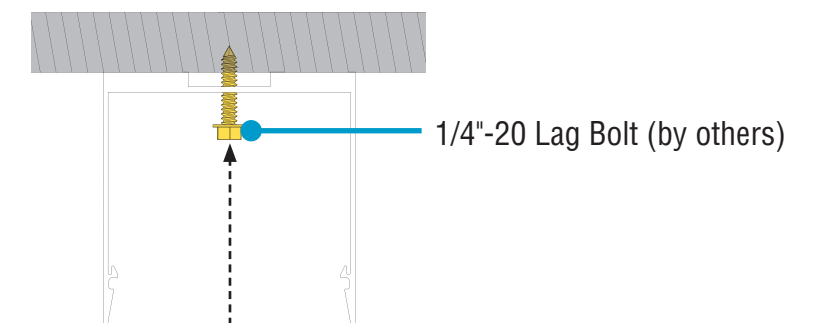
### Option 1 (Shown) - Mount to Threaded Rod



### Option 2 - Mount to T-Bar



### Option 3 - Mount to Structure



### Option 1 (Shown) - Mount to Threaded Rod

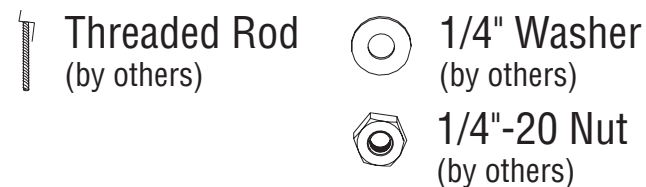
#### Option 2 - Mount to T-Bar

- Align mounting holes with hanging hardware.
- Install 1/4"-20 nut and 1/4" washer onto 1/4"-20 threaded rod.
- **CRITICAL:** If installing a joiner luminaire in the next step, leave nut loose.
- If there is no joiner/ender, then tighten nuts fully. **PROCEED TO STEP 7.**

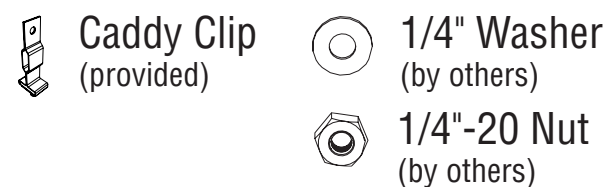
### Option 3 - Mount to Structure

- Place luminaire onto wall/ceiling and mount to structure support with hardware appropriate for the structure type.
- **CRITICAL:** If installing a joiner luminaire in the next step, leave loose.
- Support blocking<sup>2</sup> must not exceed distance to wall/ceiling surface<sup>1</sup>.
- If there is no joiner/ender, then tighten nuts fully. **PROCEED TO STEP 7.**

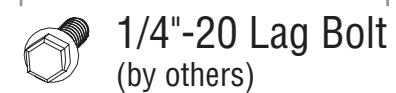
#### Mounting Option 1



#### Mounting Option 2



#### Mounting Option 3



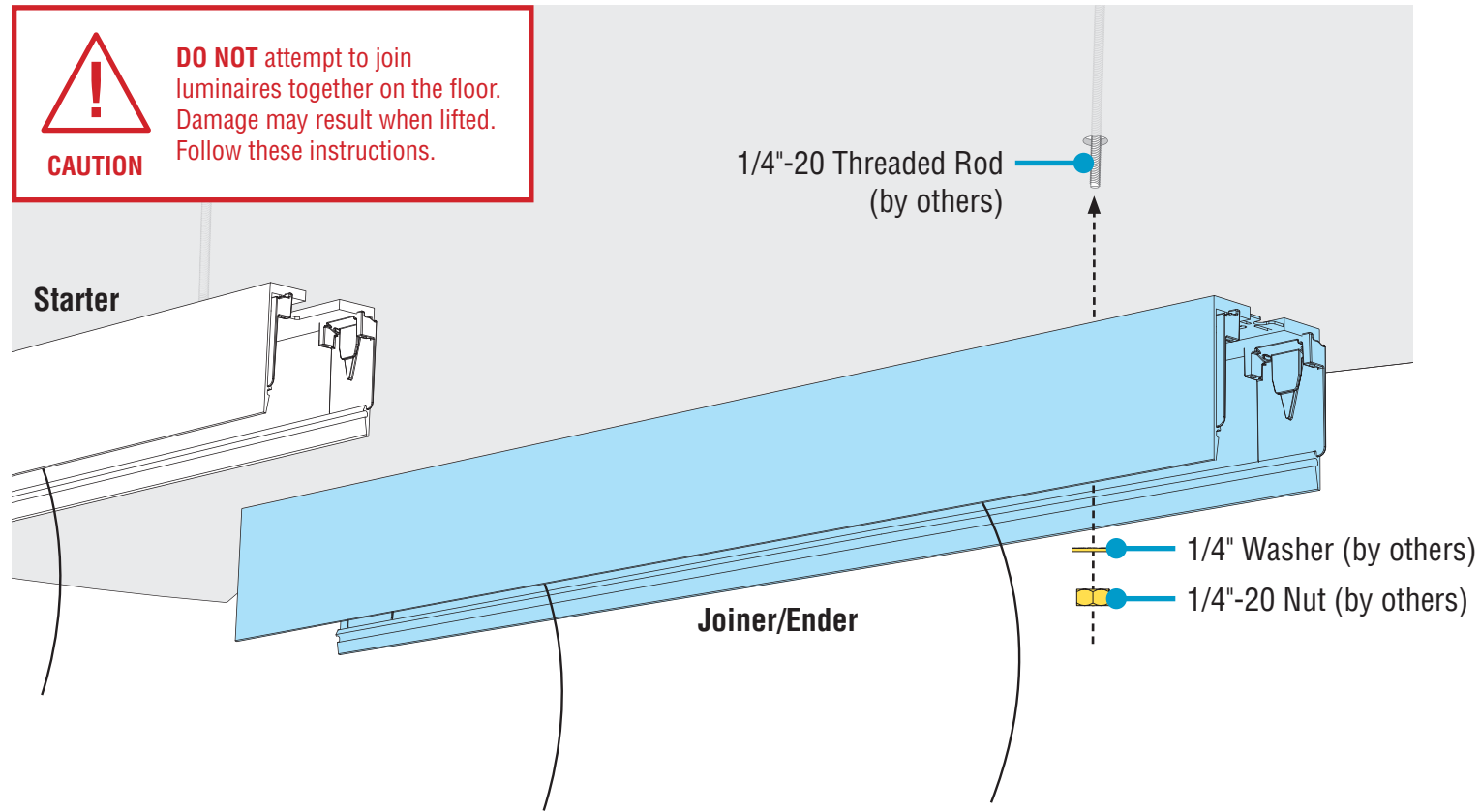
<sup>1</sup> Wall/ceiling surface = drywall, wood, concrete or masonry, metal panels, tile, etc.

<sup>2</sup> Support blocking = Wooden beams/studs, sheet metal framing beams, steel beams, concrete beams, etc. Use hardware appropriate to the blocking material.

# HP-2 / HP-4 Wall Wash Surface Mount Installation Instructions

## Step 5 - Joining Luminaires

### A. Mount Joiner/Ender to Structure



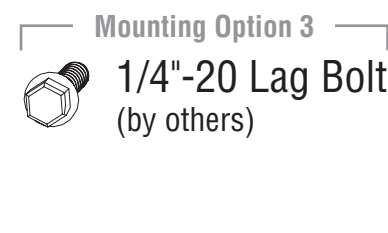
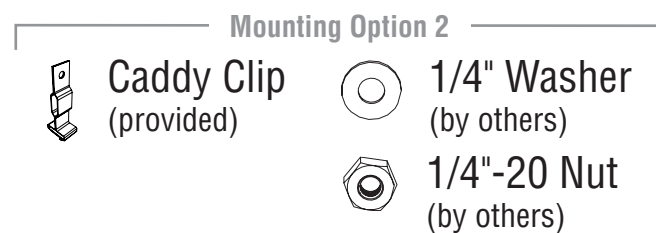
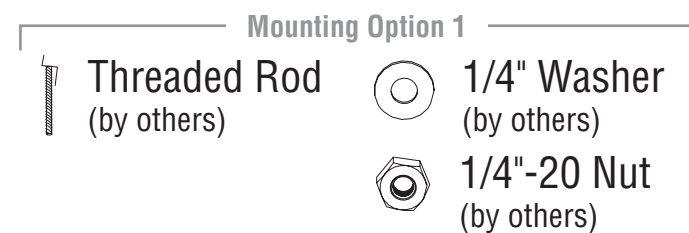
#### Option 1 (Shown) - Mount to Threaded Rod

#### Option 2 - Mount to T-Bar

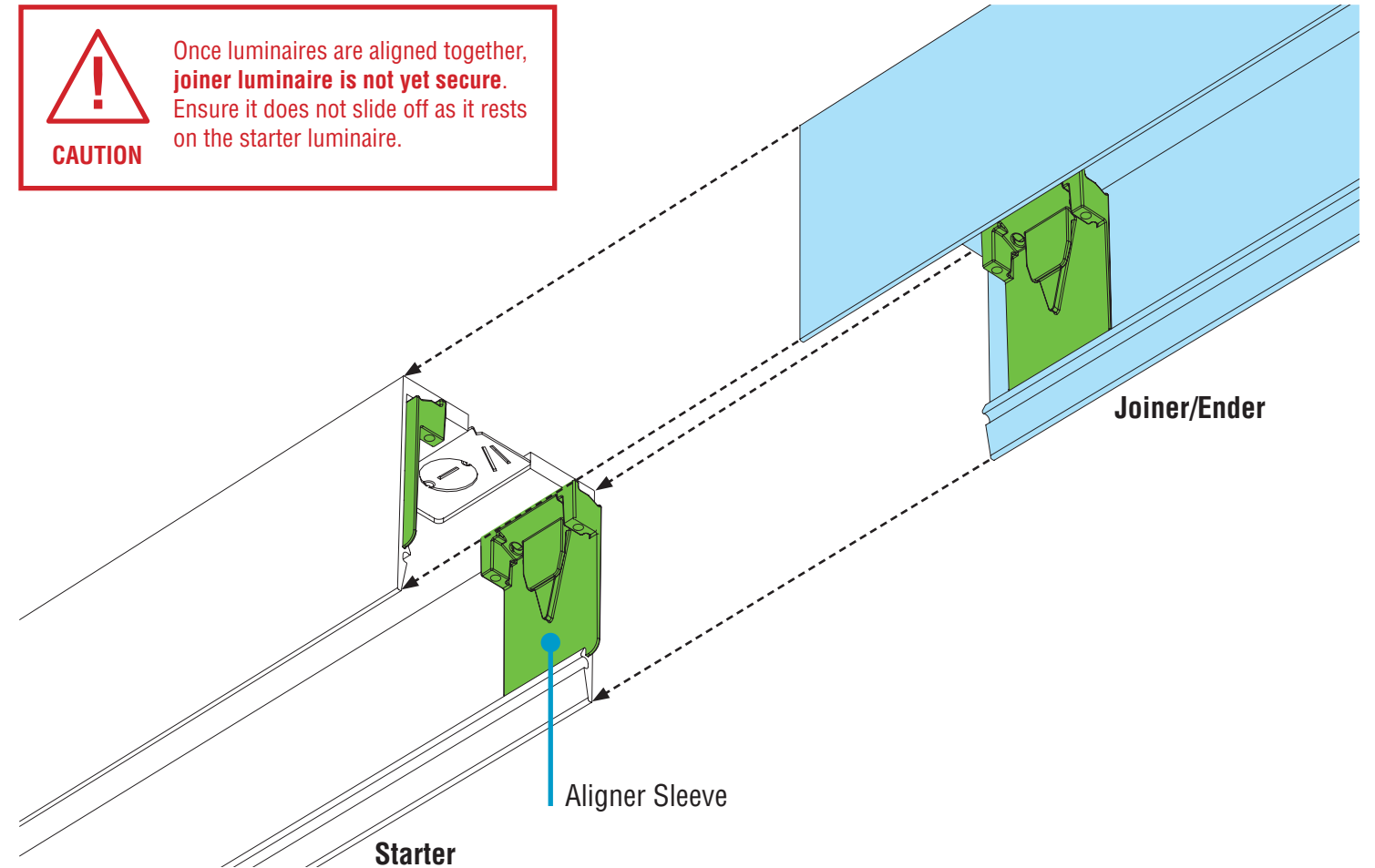
- Align mounting holes with hanging hardware.
- Install 1/4"-20 nut and 1/4" washer onto 1/4"-20 threaded rod.
- **NOTE:** If installing a joiner luminaire, leave nut loose, allowing luminaire to hang at an angle.

#### Option 3 - Mount to Structure

- Mount to structure support with hardware appropriate for the structure type.
- **NOTE:** If installing a joiner luminaire, leave nut loose, allowing luminaire to hang at an angle.



### B. Join Luminaires

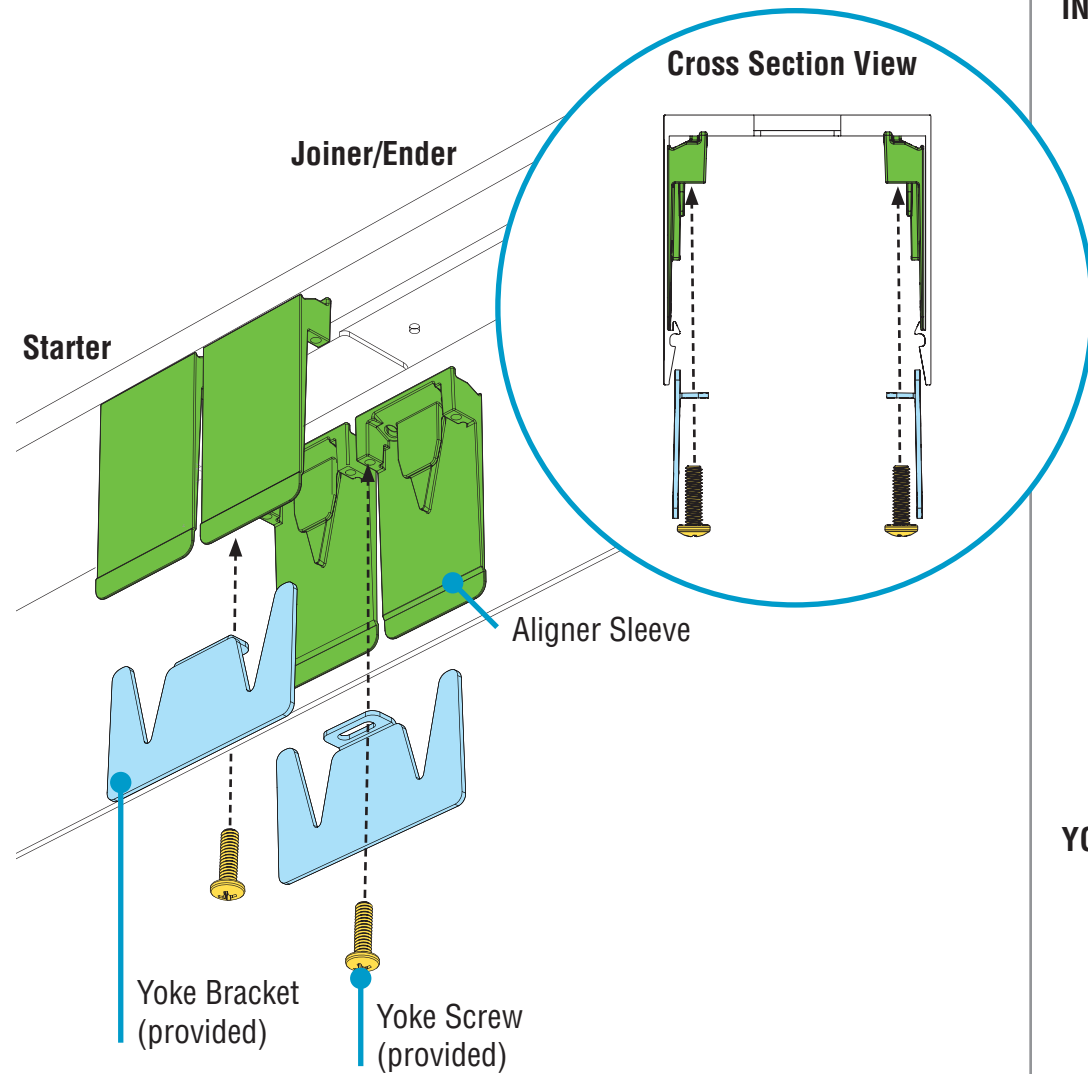


- Align joiner/ender with aligner sleeves on starter and slide together. Be careful not to damage any wiring.
- If necessary, **lift** both luminaires, then slide them together.

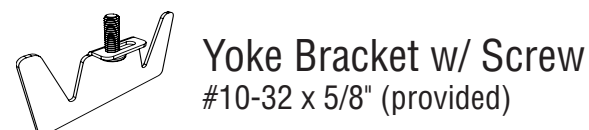
# HP-2 / HP-4 Wall Wash Surface Mount Installation Instructions

## Step 6 - Securing Luminaire Joints

### A. Secure Joint with Yoke Brackets

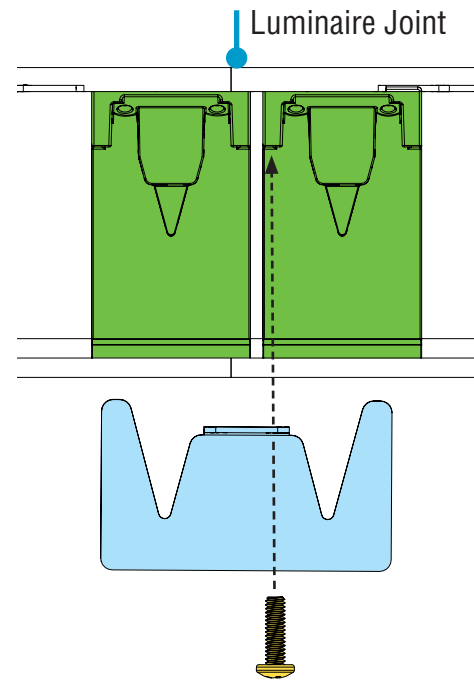


- Before installing yoke brackets, ensure the joining ends of luminaires meet flush and square.
- **CRITICAL:** Ensure yoke brackets properly engage with aligner sleeves.
- Secure joint by threading (but not yet tightening) yoke screws through yoke brackets and into the aligner sleeves.
- Tighten yoke screws<sup>1</sup> until joint seam of luminaires is closed.
- Fully secure luminaire to structure by fully tightening the 1/4-20 nuts or lag bolts.

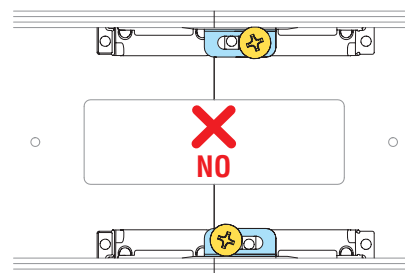


<sup>1</sup> Screwdriver with 6" bit required.

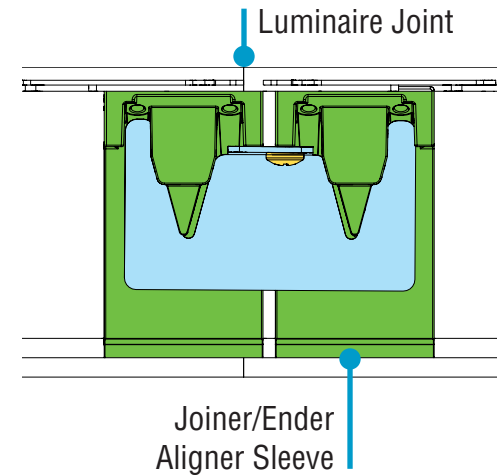
### IN ALIGNMENT



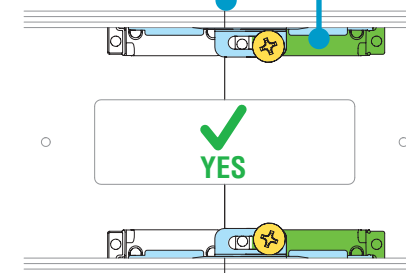
### YOKE SCREW ALIGNMENT Bottom-Up View



### CORRECTLY INSTALLED

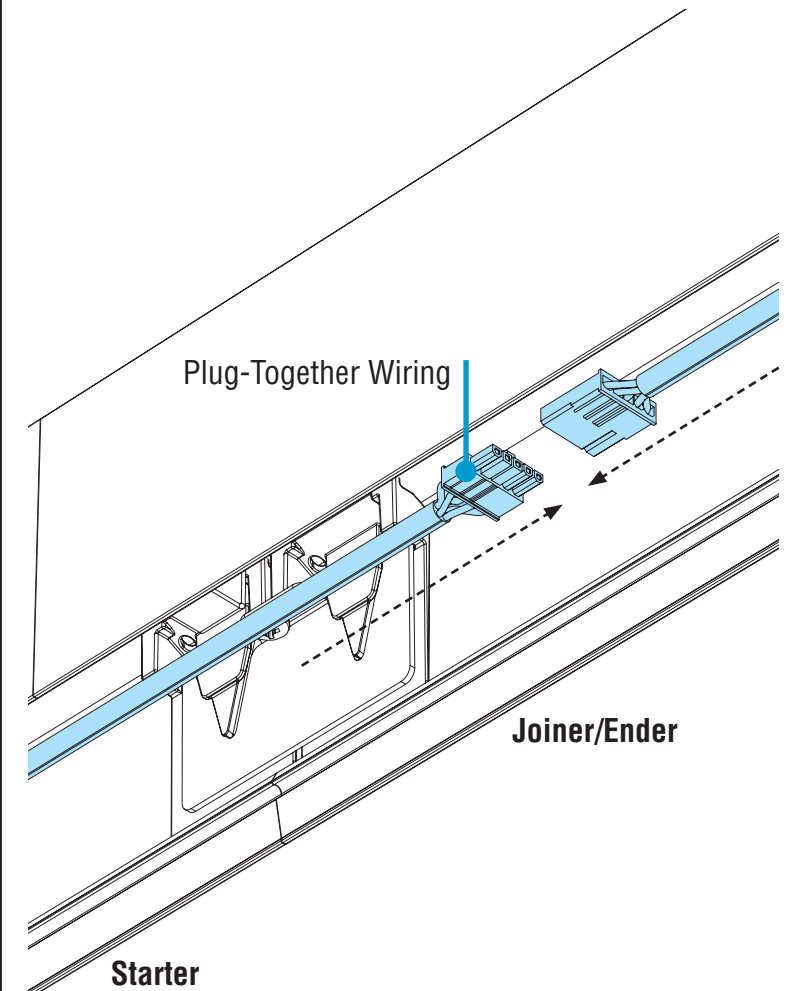


### Luminaire Joint Joiner/Ender Aligner Sleeve



**NOTE:** Yoke screws should be installed directly across from each other, not diagonally, and in holes furthest from the joint line. One yoke screw per one yoke bracket.

### B. Make Electrical Connections



- Connect plug-together wiring.

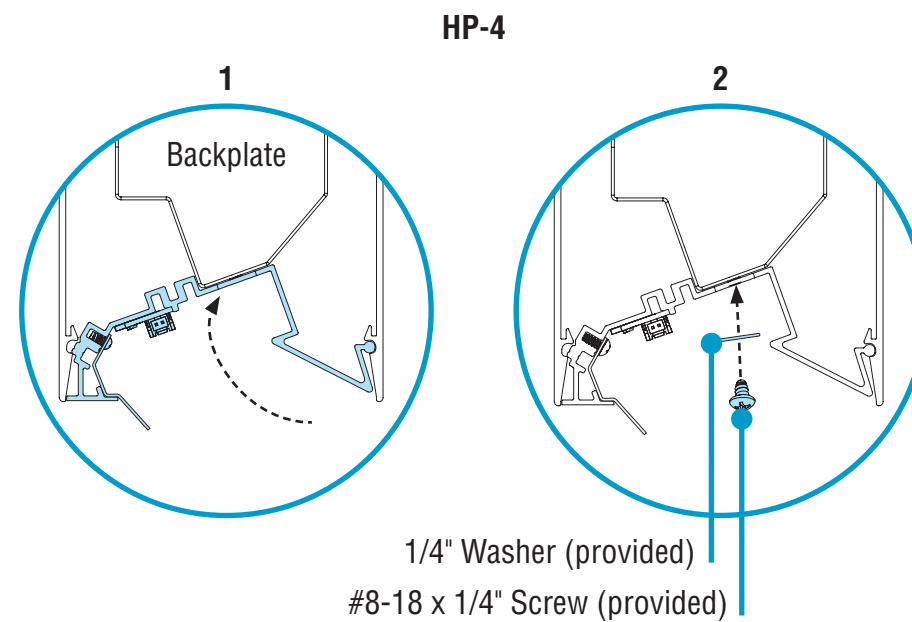
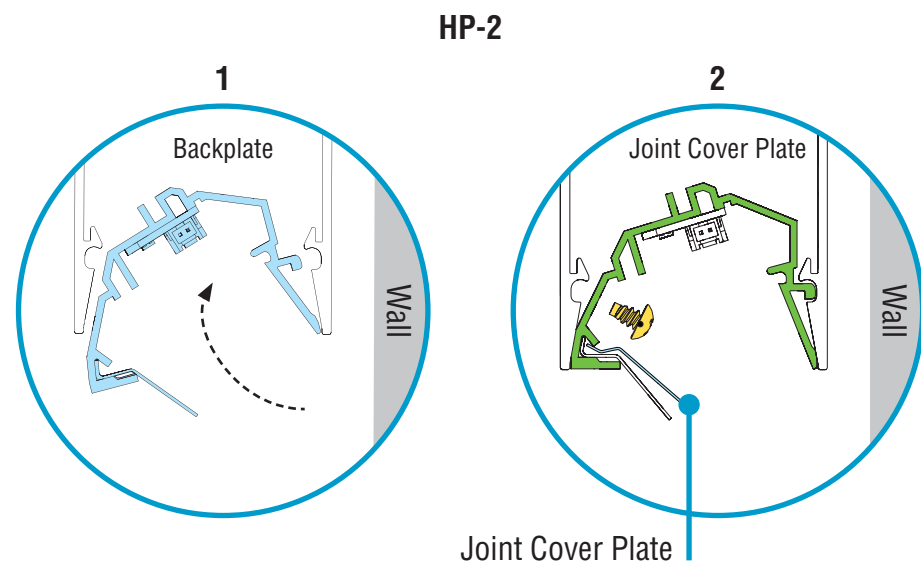
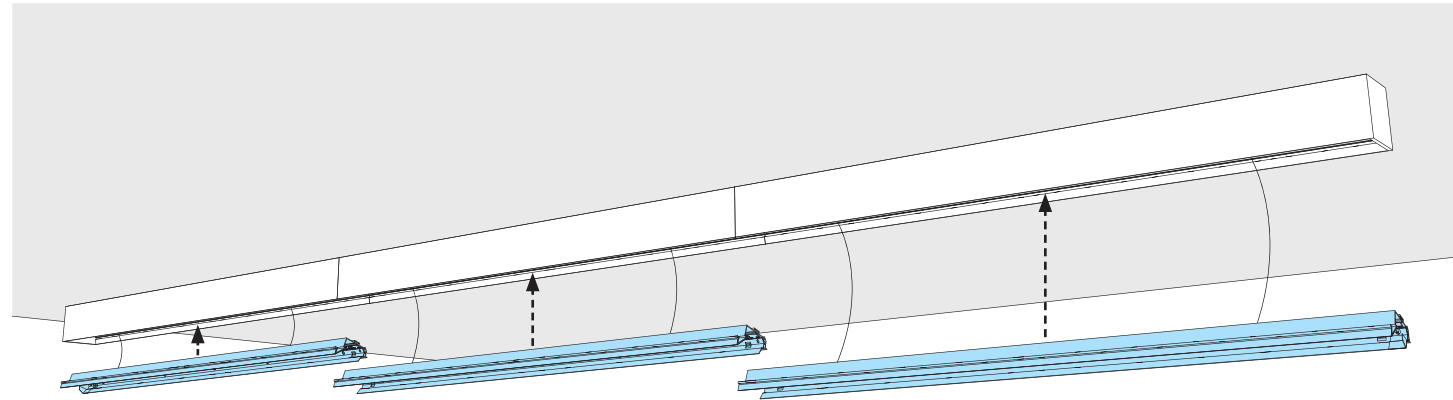




# HP-2 / HP-4 Wall Wash Surface Mount Installation Instructions

## Step 7 - Closing Luminaires

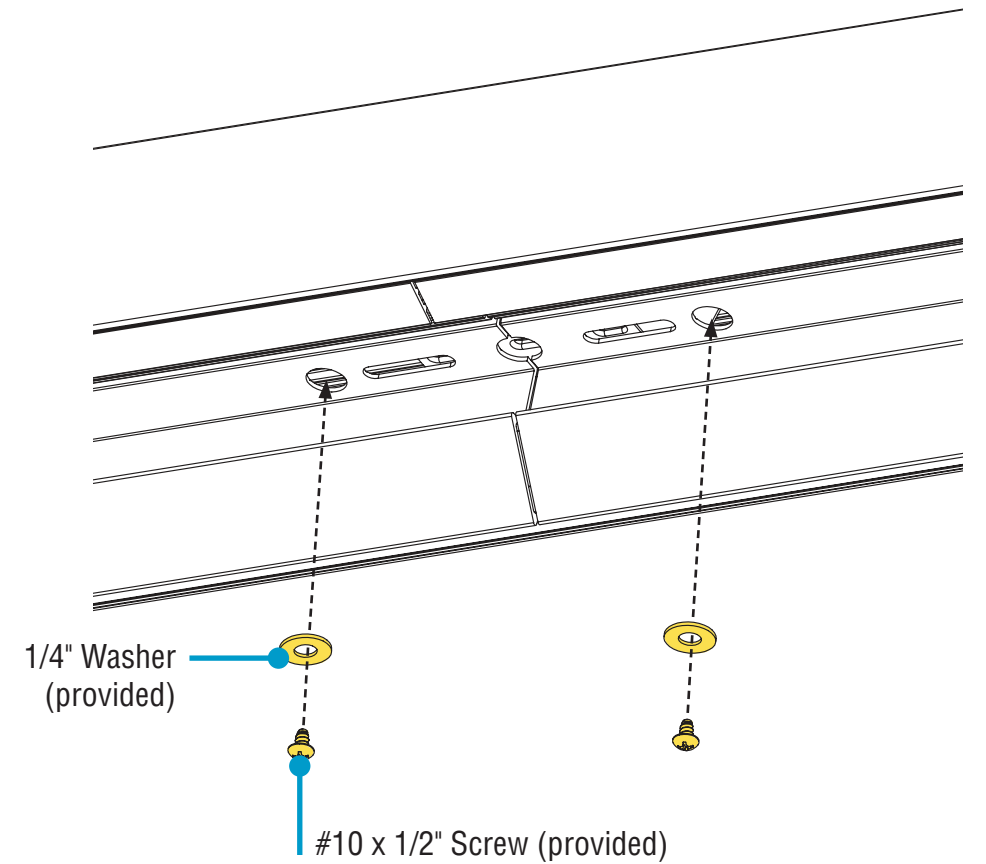
### A. Replace Backplates



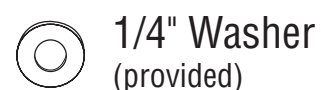
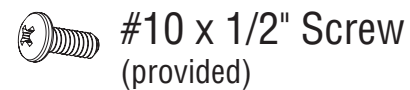
- 1. Carefully reinstall backplate into luminaire by inserting and rotating.
- 2. Install joint cover plate by inserting into backplate and installing two #8-18 x 1/4" screws at the joint. **PROCEED TO STEP 7C.**

- 1. Carefully reinstall backplate into luminaire by inserting and rotating.
- 2. Install 1/4" washer and #8-18 x 1/4" screw to backplate at both ends of the luminaire.

### B. Secure Joint with #10 x 1/2" Screws HP-4 Only



- Install 1/4" washers and #10 x 1/2" screws at the joint.

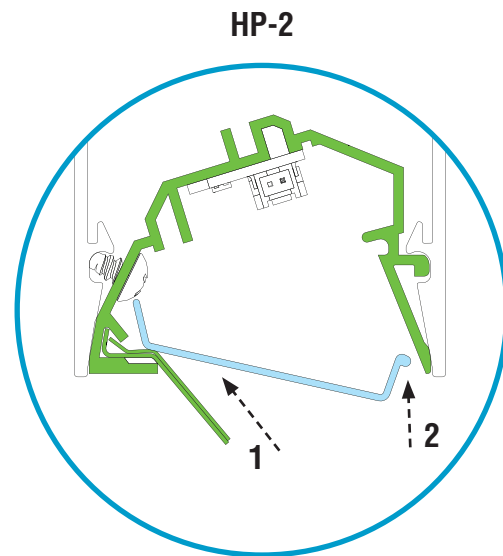
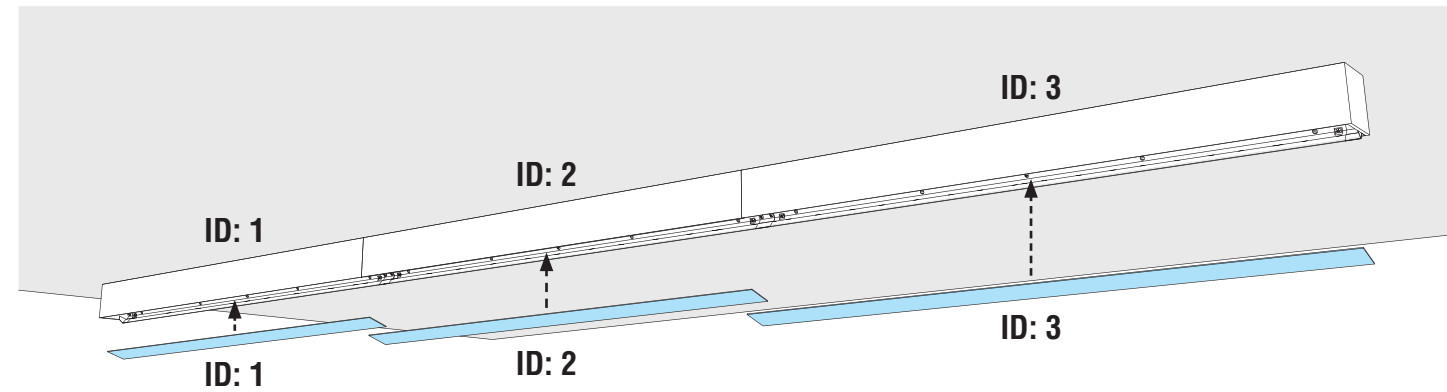


CONTINUED

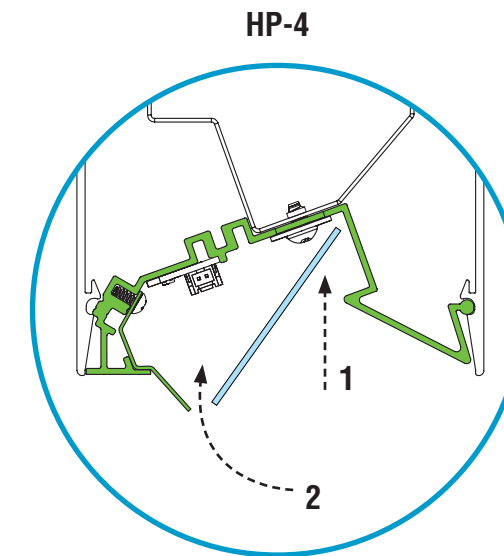
# HP-2 / HP-4 Wall Wash Surface Mount Installation Instructions

## Step 7 - Closing Luminaires

**C. Final Step - Replace Diffusers**



- **NOTE:** If your installation includes a battery backup, please see addendum (98333) that should be included with your kitting package.
- Remove diffusers from protective plastic bag.
- **CAUTION:** Wear gloves to keep diffuser surface clean.
- **CRITICAL:** Be sure to install correct diffuser to its corresponding luminaire ID.
- Install diffusers into luminaire body, ensuring they are in place.
- **1.** Slide the side of the diffuser without a notch into the luminaire.
- **2.** Push the side of the diffuser that has a notch until click sound is heard.
- Turn power on to luminaire.



- **NOTE:** If your installation includes a battery backup, please see addendum (98333) that should be included with your kitting package.
- Remove diffusers from protective plastic bag.
- **CAUTION:** Wear gloves to keep diffuser surface clean.
- **CRITICAL:** Be sure to install correct diffuser to its corresponding luminaire ID.
- Install diffusers into luminaire body, ensuring they are in place.
- **1.** Reinstall diffusers by pushing right side of the diffuser into the backplate.
- **2.** Push the left side of diffuser until it lays flat on the backplate.
- Turn power on to luminaire.