

HP-2 / HP-4 Wall Wash Arm Mount Installation Instructions

Overview

NOTES

- All power connections should be installed according to local/national codes by a Certified Electrician.
- This installation requires **proper support** as each luminaire is being installed.
- **DO NOT attempt to join luminaires together on the floor.** Damage may result when lifted.



HELPFUL
VIDEOS



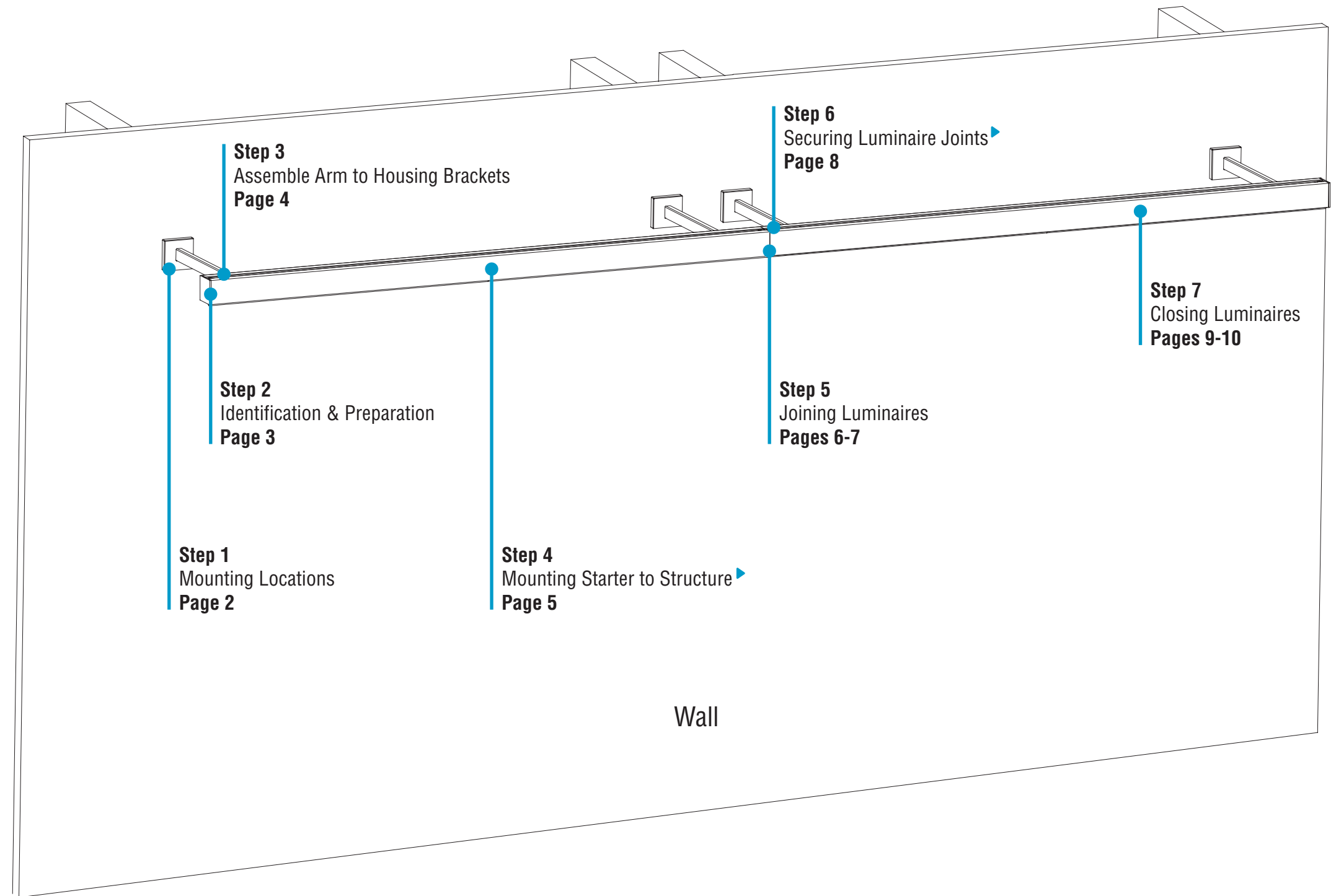
0-10V
Dimming



Universal &
Robust Joints



Simple
Plug-Together
Wiring

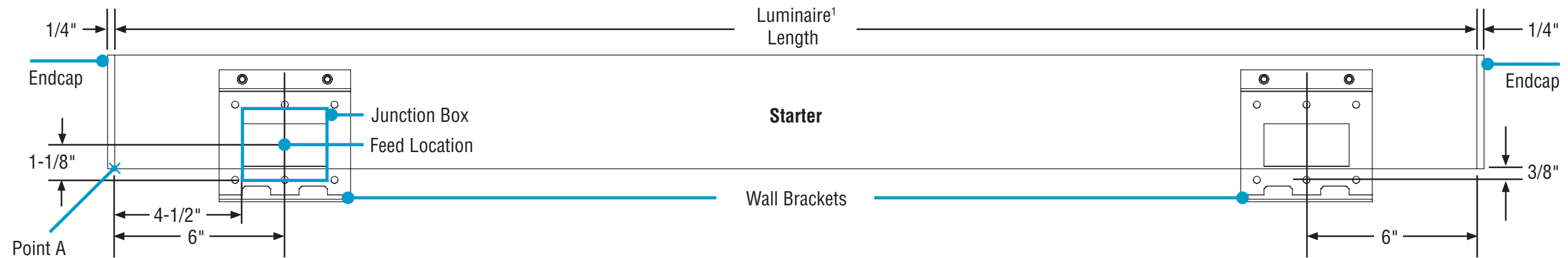


HP-2 / HP-4 Wall Wash Arm Mount Installation Instructions

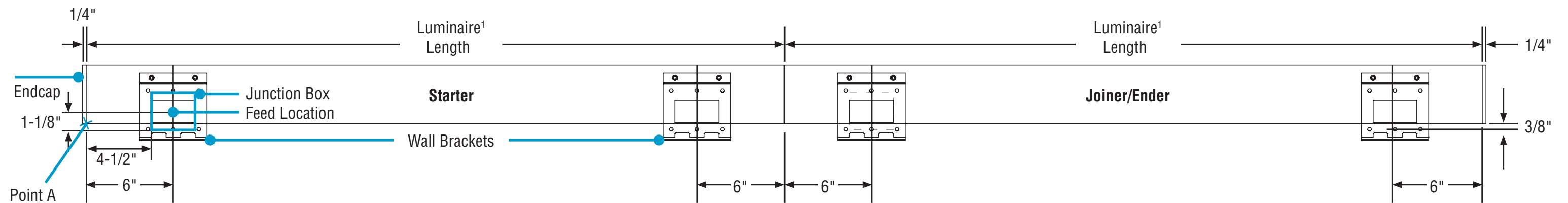
Step 1 – Mounting Locations

A. Starter/Independent Mounting Locations

Starter/Independents only require 2 arm brackets up to 12 feet.



B. Joiner/Ender Mounting Locations



- Position luminaire on wall in desired location.
- Mark the bottom corner of the luminaire, not including the endcap. This is Point A. Use Point A to mark feed location and install junction box.
- Center of wall brackets is 6" from Point A.
- Ensure wall brackets are secured to proper structural support.

¹ Luminaire length not including endcap.

HP-2 / HP-4 Wall Wash Arm Mount Installation Instructions

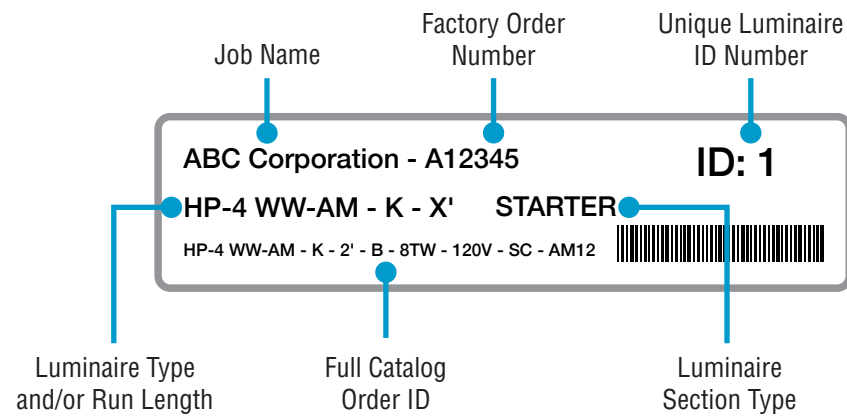
Step 2 - Identification & Preparation

Identify Luminaires



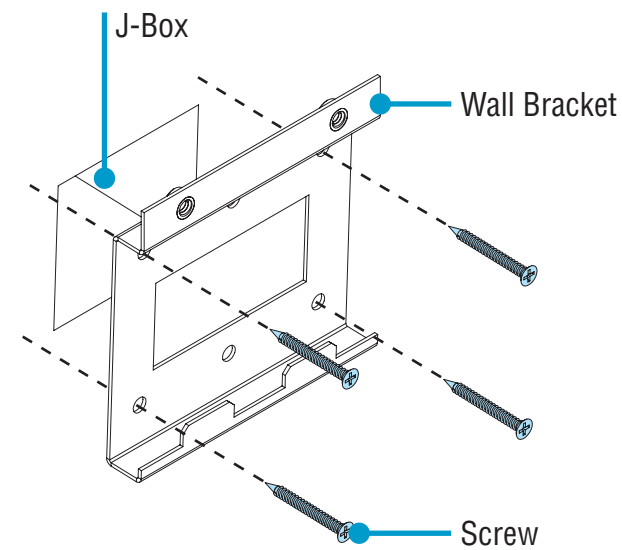
CAUTION

Arrange luminaires in order according to ID# at their install locations.



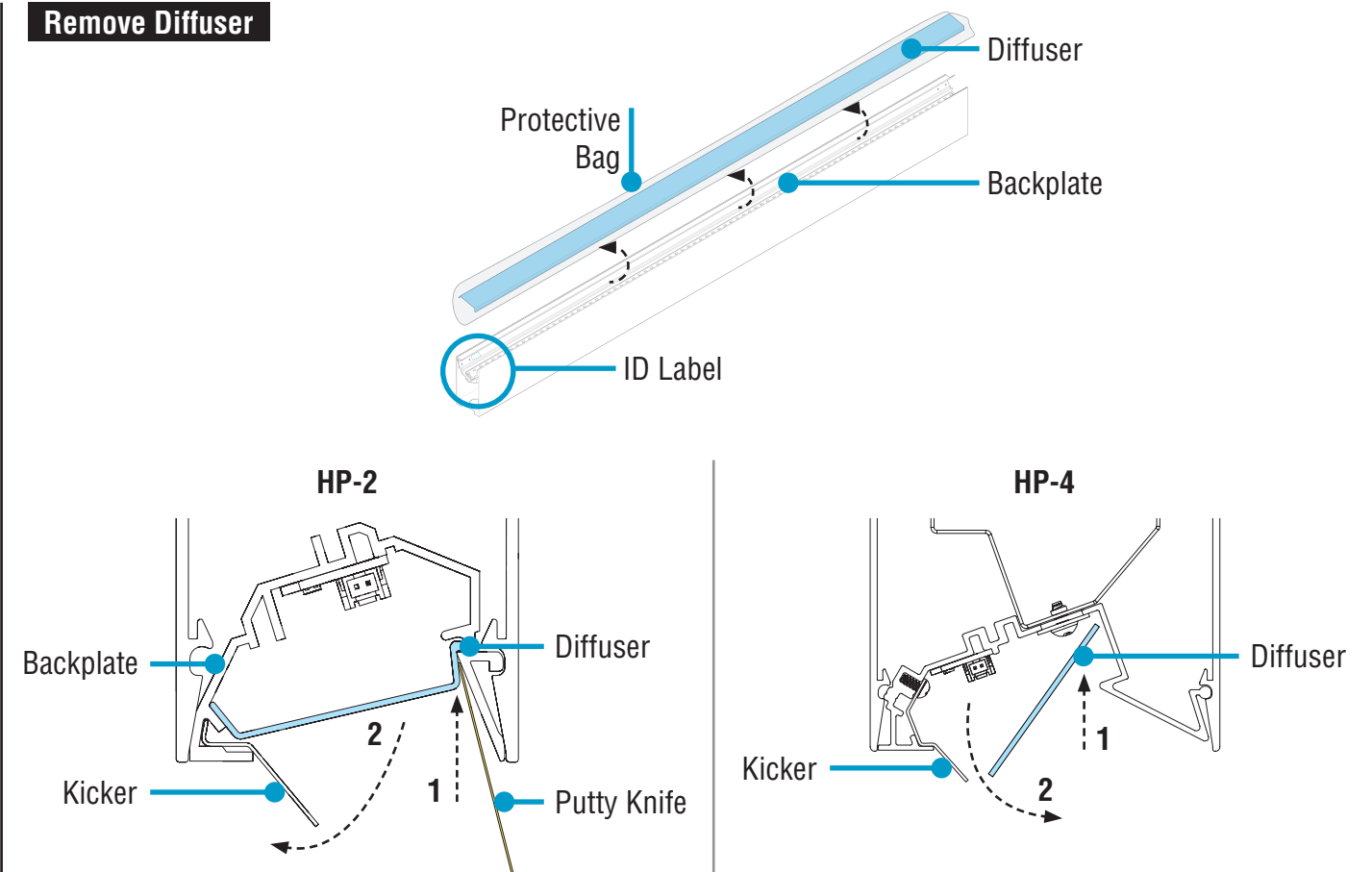
- Identify all luminaires by their ID label that can be found on the box, on the diffuser, and inside the luminaire.
- **NOTE:** Exact location of labels in these areas may vary.
- Remove all luminaires from their box.
- Refer to Record Drawings that can be found in the hardware kit.

Install Wall Bracket



- Level wall bracket to ensure proper mounting.
- Install screws or fasteners appropriate for structure type through bracket and into structurally secured blocking.

Remove Diffuser

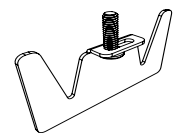


- **1.** Slide putty knife between backplate and diffuser.
- **2.** Carefully separate diffuser from backplate.
- Set aside all diffusers to prevent from getting dirty or damaged.
- Ensure diffuser can be clearly identified back to its corresponding luminaire.

- **1.** Push bottom edge of diffuser into backplate.
- **2.** Slide diffuser out of backplate.
- Carefully remove and set aside all diffusers to prevent from getting dirty or damaged.
- Ensure diffuser can be clearly identified back to its corresponding luminaire.

Kitted Hardware

- Finelite has provided items listed here, with their Finelite part numbers. These items can be found in separate boxes shipped with the luminaire.
- Account for all parts and set aside until they are needed.
- All other hardware needed for this installation will be by others.



Yoke Bracket
Part# 45042

#10-32 x 5/8" Screw
Part# 94144
Securing Luminaire Joints
p. 8, Step 6



#10 x 1/2" Screw
Part# 92081
Closing Luminaires
p. 10, Step 7



#1/4-20 x 5/8" Screw
Part# 92294
Mounting Starter to Structure
p. 5, Step 4
Closing Luminaires
p. 9, Step 7



#8-18 x 1/4" Screw
Part# 69026
Joining Luminaires
p. 7, Step 5
Closing Luminaires
p. 9-10, Step 7



#10-32 x 5/8" Screw
Part# 94144
Assemble Arm to Housing Brackets
p. 4, Step 3

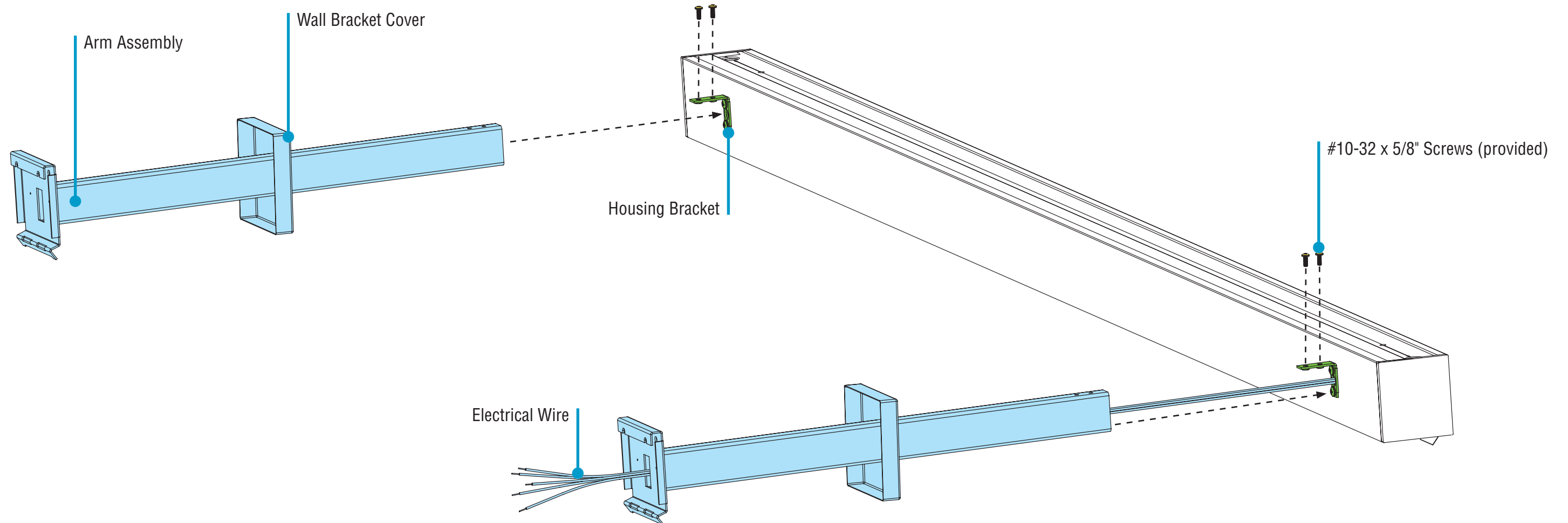


1/4" Washer
Part# 94082
Joining Luminaires
p. 7, Step 5
Closing Luminaires
p. 9-10, Step 7


HP-2 / HP-4 Wall Wash Arm Mount Installation Instructions

Step 3 - Assemble Arm to Housing Brackets

A. Assemble Arm



- **CRITICAL:** Perform this step for both arms on a flat surface.
- Slide arm assembly into housing brackets. Ensure that wall bracket cover is away from the ends of the arm.
- Pass electrical wire through the channel of the arm assembly.
- Install #10-32 x 5/8" screws to secure arm assembly onto housing bracket.
- **NOTE:** Perform this step on all joiner/ender luminaires.

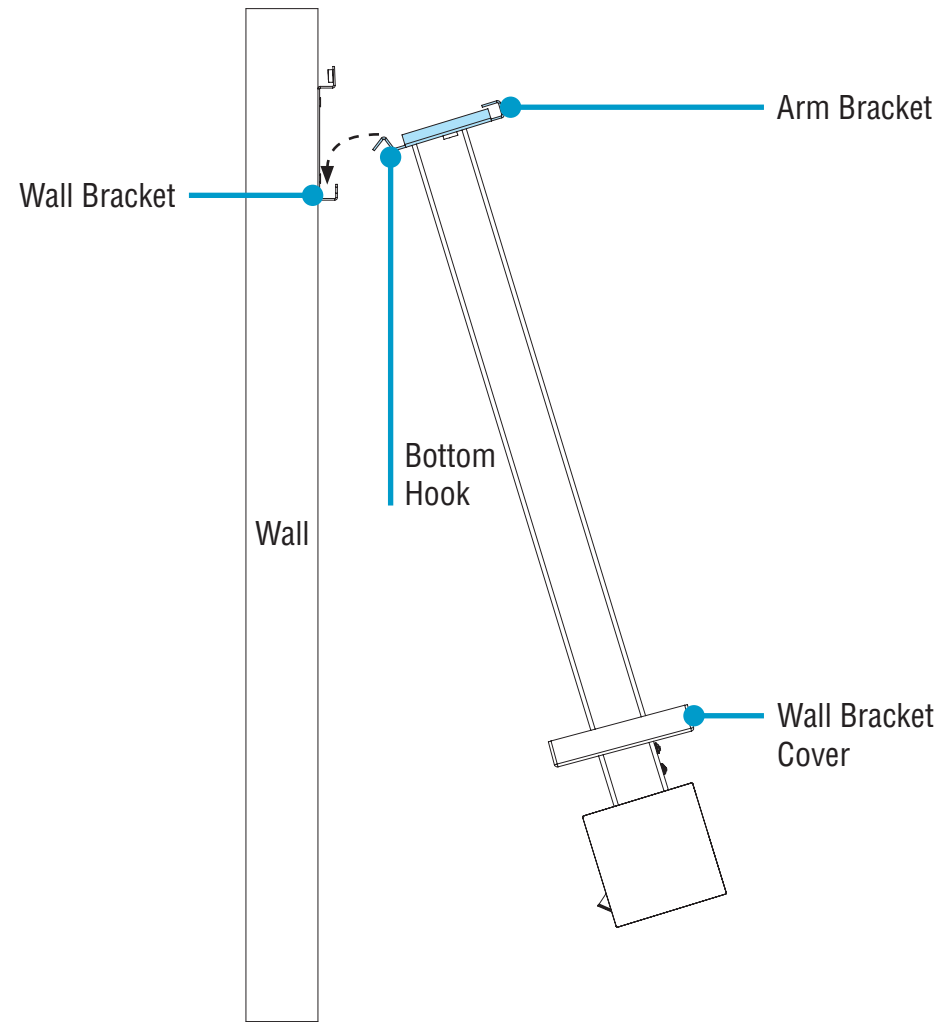
 #10-32 x 5/8" Screw
(provided)

¹ Preferred power feed location shown.
² Part by others but also available from Finelite upon request.

HP-2 / HP-4 Wall Wash Arm Mount Installation Instructions

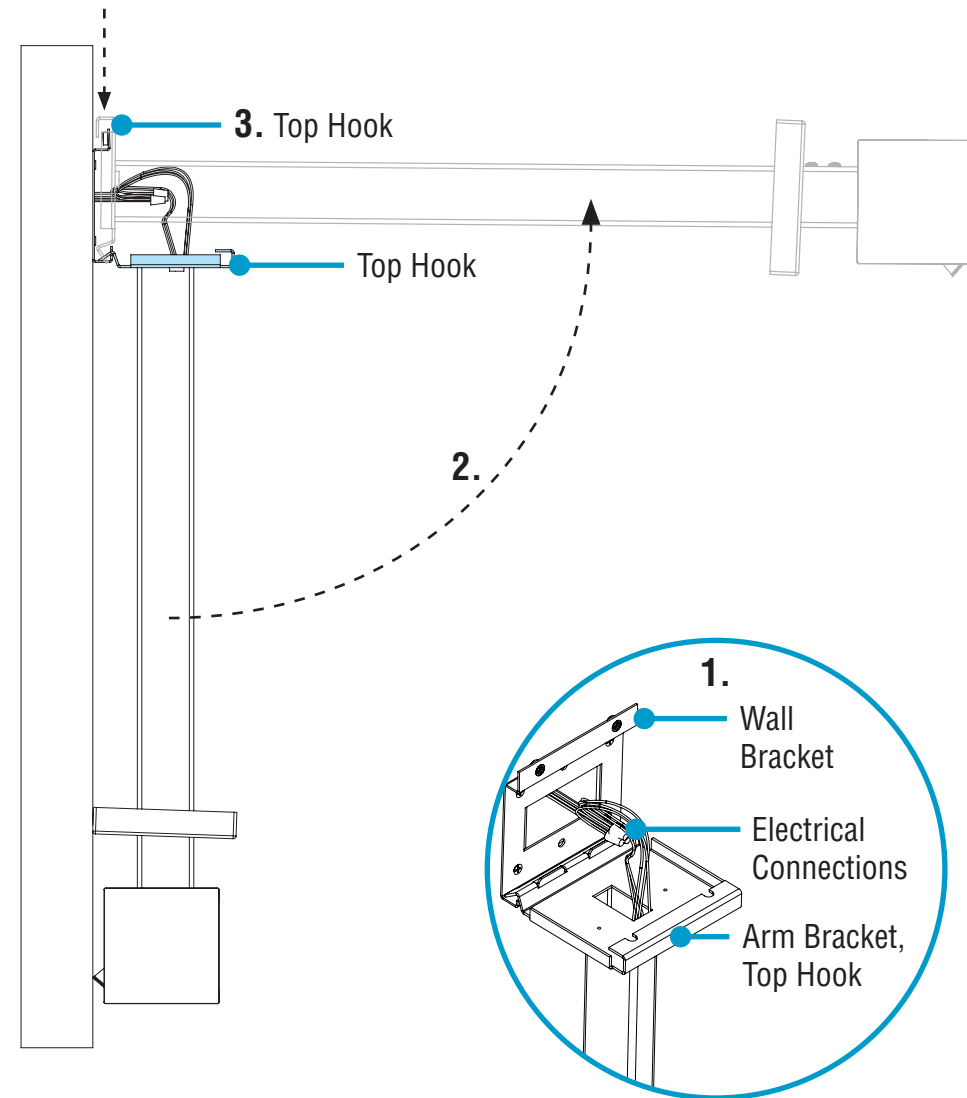
Step 4 - Mounting Starter to Structure

A. Hang Luminaire



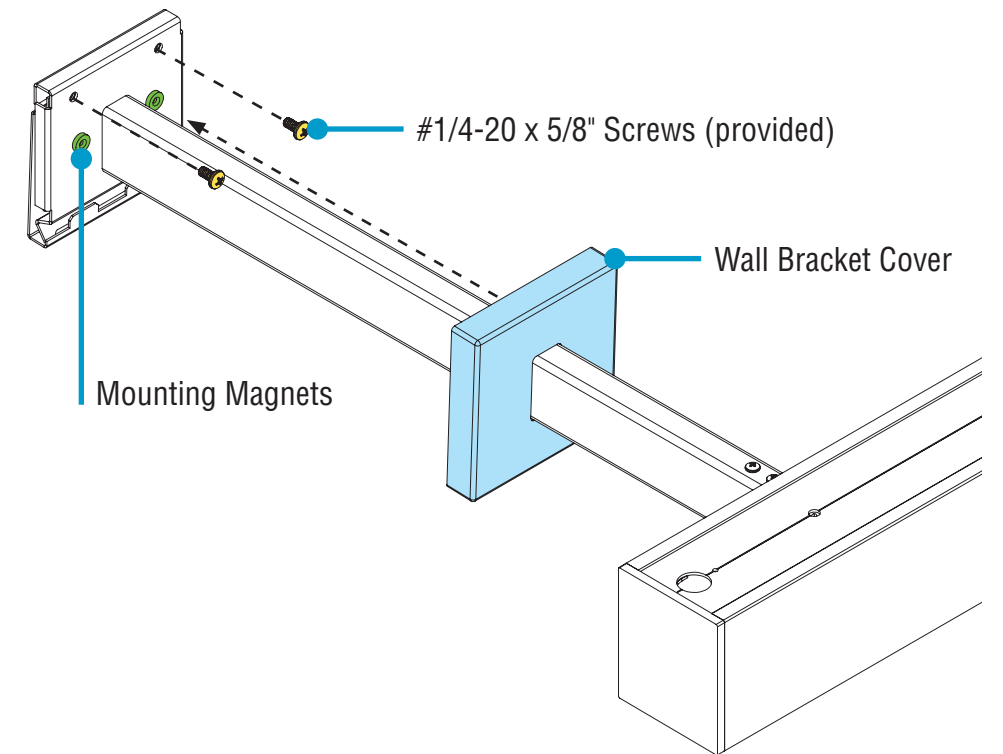
- Let luminaire hang on the wall for wiring by hooking the arm bracket to engage bottom hook onto the wall bracket.

B. Connect Wires




- 1. Make electrical connections and push completed wiring into junction box. Install luminaire onto wall by disengaging the bottom hook from the wall bracket.
- 2. Rotate the arm assembly perpendicular to the wall.
- 3. Hook the arm bracket onto the wall bracket and engage the top hook of the arm bracket.

C. Secure Luminaire



- Install #1/4-20 x 5/8" screws onto the arm brackets, engaging the wall brackets.
- Use screws to level luminaire. Tighten to raise and loosen to lower.
- Slide wall bracket cover along arm towards the wall until mounting magnets engage the wall bracket cover to hold it in place.
- **CRITICAL:** If part of an independent run, **PROCEED TO STEP 7D.**
- **NOTE:** For joiner/ender no need to install the wall bracket cover. **PROCEED TO STEP 5.**

 #1/4-20 x 5/8" Screw
(provided)

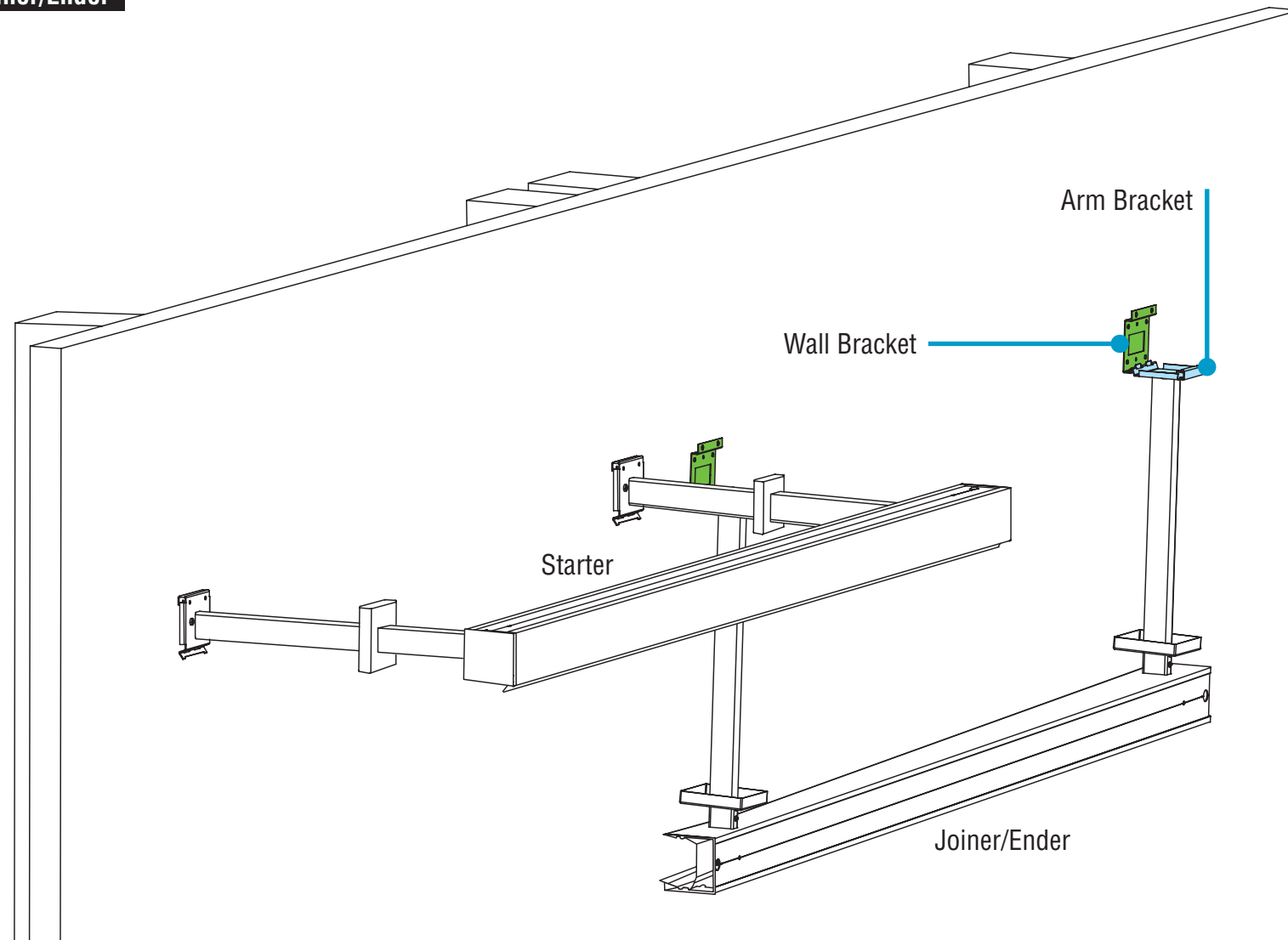


0-10V
Dimming

HP-2 / HP-4 Wall Wash Arm Mount Installation Instructions

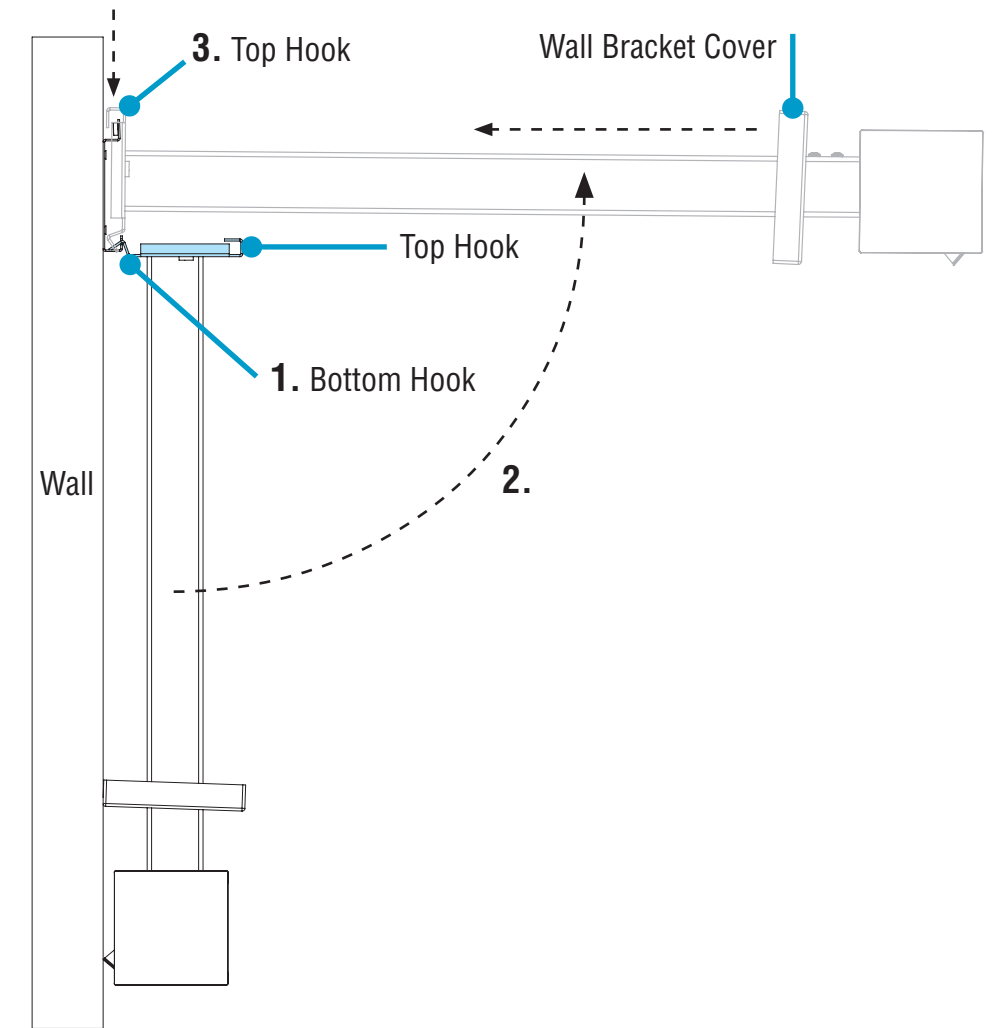
Step 5 - Joining Luminaires

A. Hang Joiner/Ender



- Let joiner/ender luminaire hang on the wall by hooking the arm bracket to engage bottom hooks onto the wall bracket.

B. Secure Joiner/Ender

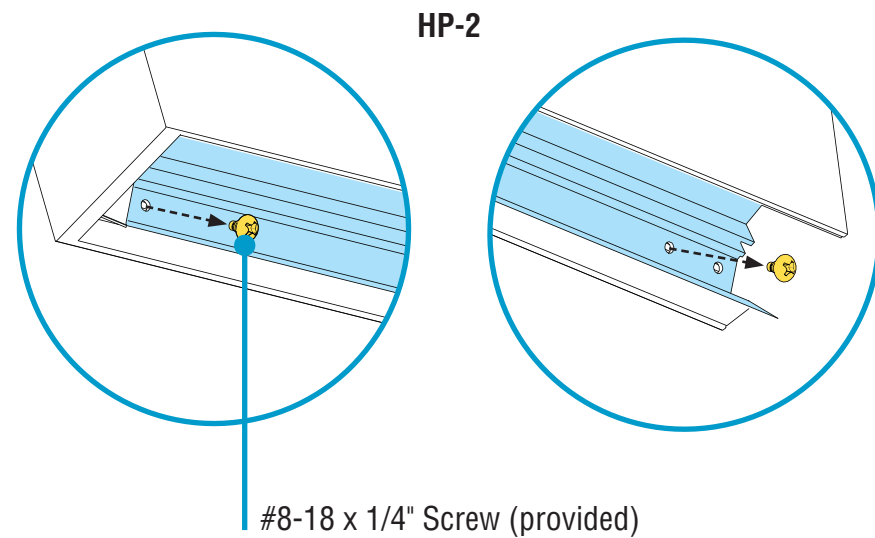
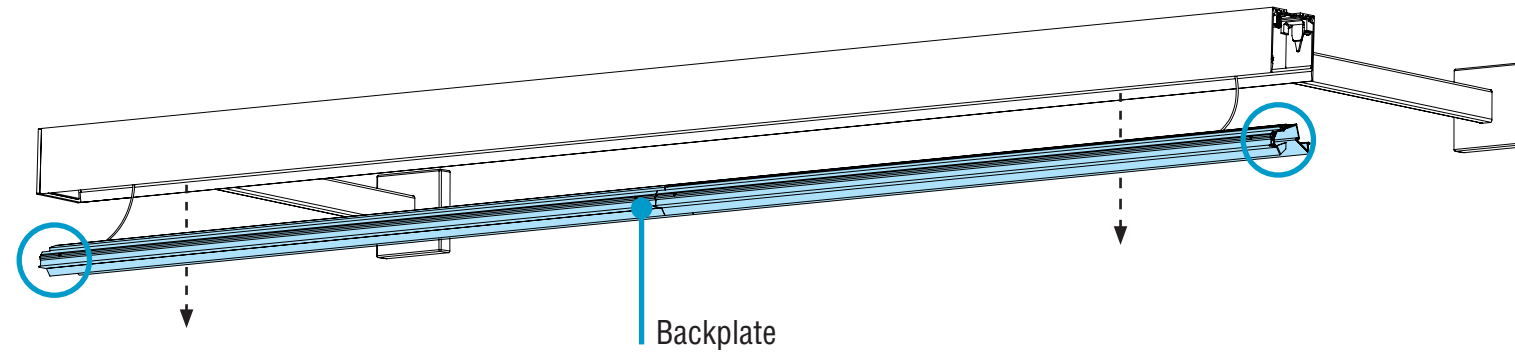


- 1. Install luminaire onto wall by disengaging the bottom hook from the wall bracket.
- 2. Rotate the arm assembly to be perpendicular to the wall.
- 3. Hook the arm bracket onto the wall bracket, engaging the top hook of the arm bracket.

HP-2 / HP-4 Wall Wash Arm Mount Installation Instructions

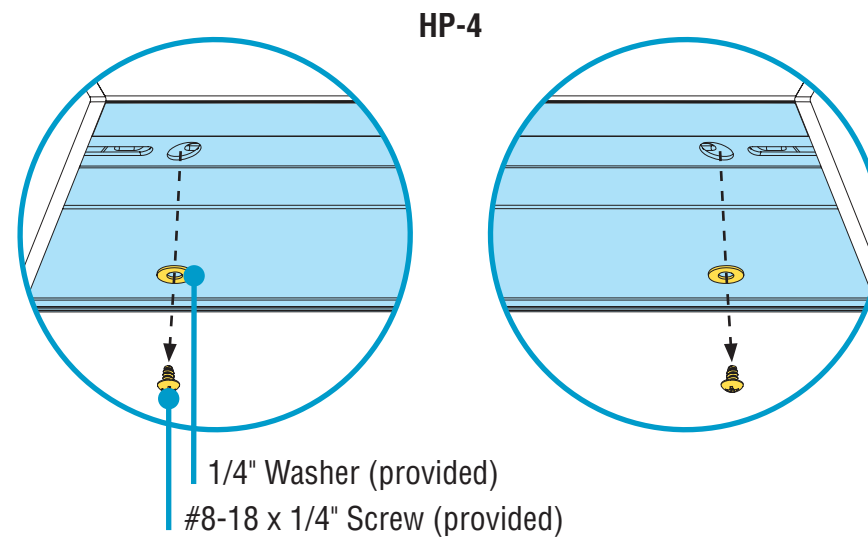
Step 5 - Joining Luminaires

C. Remove Backplates



HP-2

#8-18 x 1/4" Screw (provided)



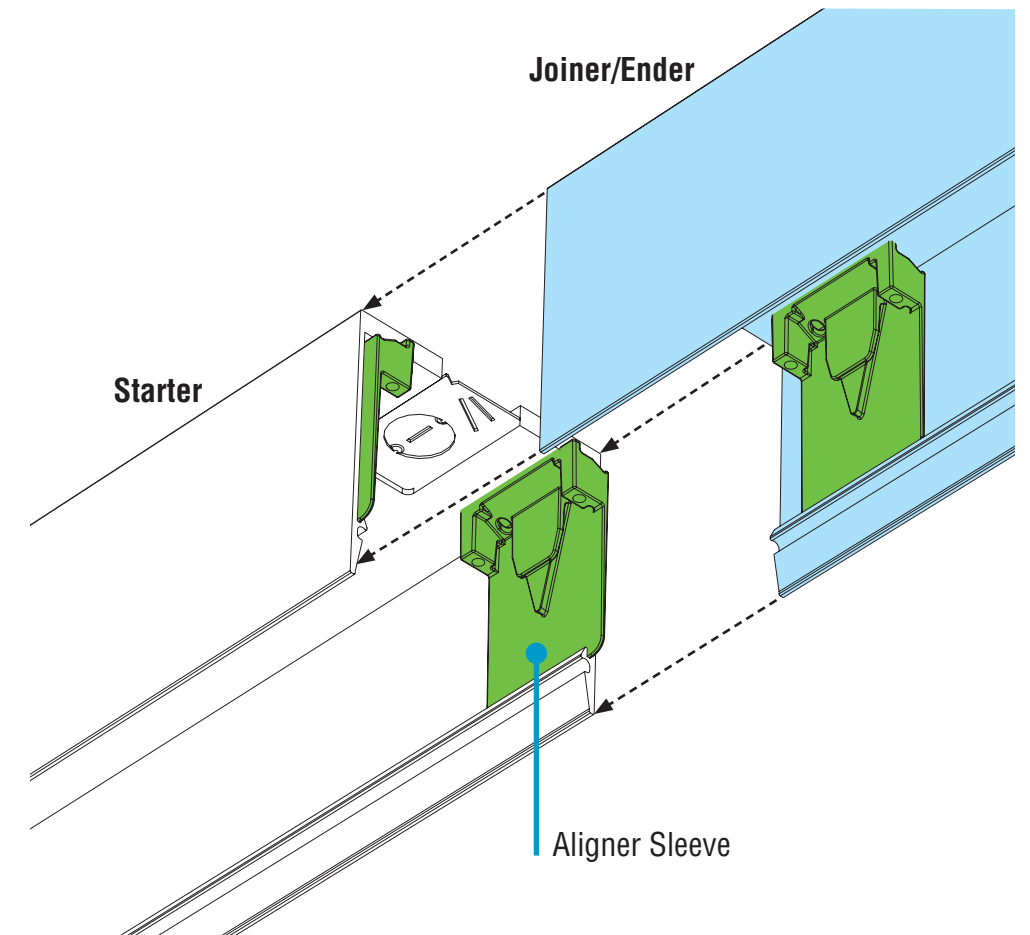
HP-4

1/4" Washer (provided)
#8-18 x 1/4" Screw (provided)

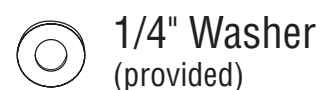
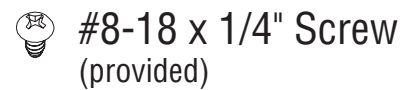
- Release backplate from luminaire body by removing the #8-18 x 1/4" screw from either end of the luminaire.
- **CAUTION:** Set these screws aside. Do not lose.
- Remove backplate by rotating then lifting **down and out** of the luminaire body.
- Keep backplate hanging with safety cables connected.

- Release backplate from luminaire body by removing the #8-18 x 1/4" screw and 1/4" washer from both ends of the luminaire.
- **CAUTION:** Set these screws and washers aside. Do not lose.
- Remove backplate by rotating then lifting **down and out** of the luminaire body.
- Keep backplate hanging with safety cables connected.

D. Join Luminaires



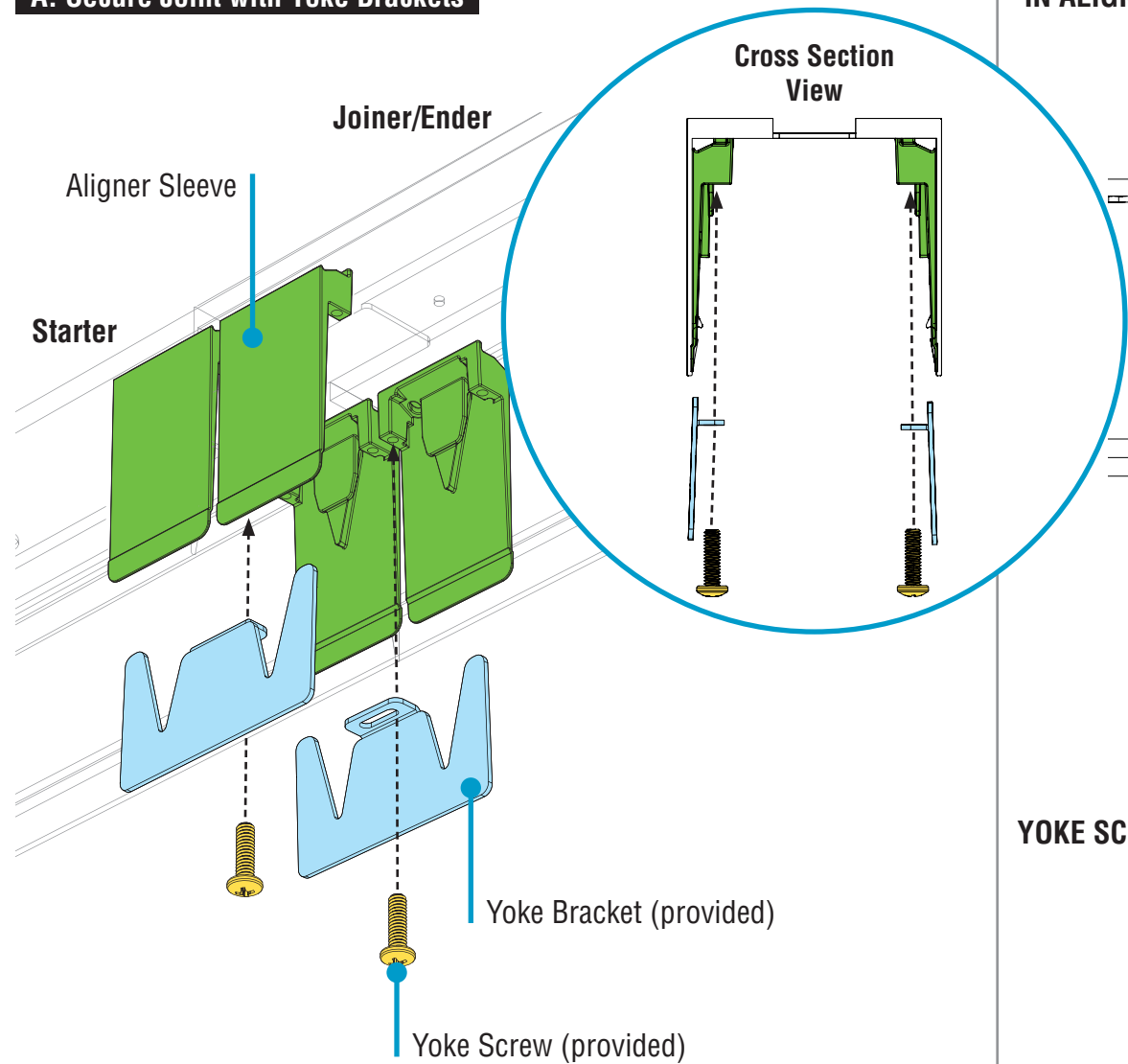
- Align joiner/ender with aligner sleeves on starter and slide together. Be careful not to damage any wiring.
- If necessary, **lift** both luminaires, then slide together.



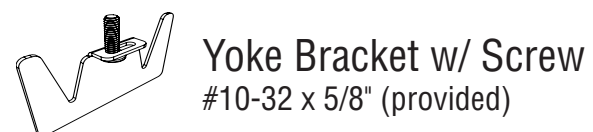
HP-2 / HP-4 Wall Wash Arm Mount Installation Instructions

Step 6 - Securing Luminaire Joints

A. Secure Joint with Yoke Brackets

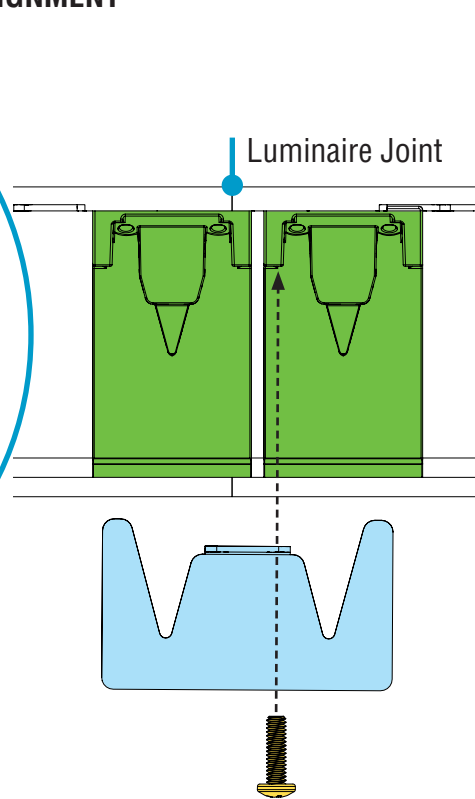


- Before installing yoke brackets, ensure the joining ends of luminaires meet flush and square.
- **CRITICAL:** Ensure yoke brackets properly engage with aligner sleeves.
- Secure joint by using a screwdriver¹ to tighten yoke screws through yoke brackets and into the aligner sleeves until joint seam of luminaire is closed.

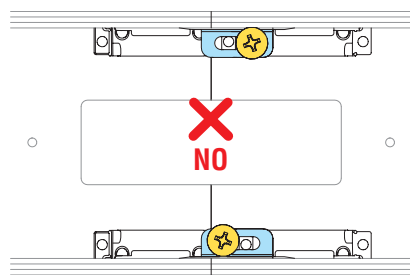


¹ Screwdriver with 6" bit required.

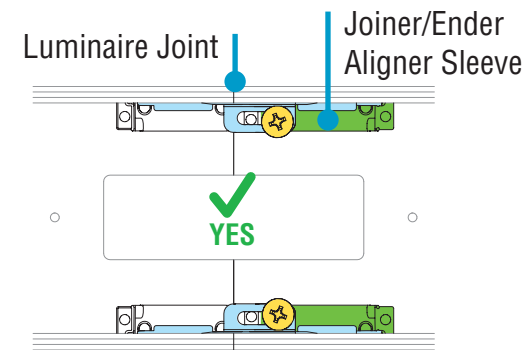
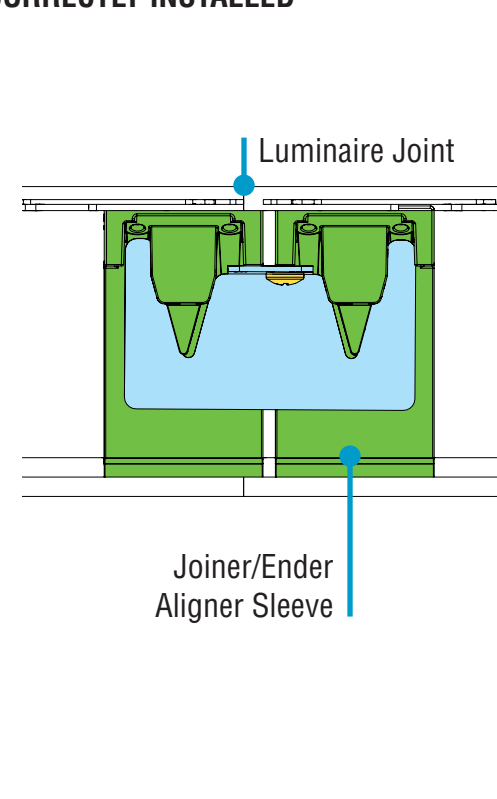
IN ALIGNMENT



YOKE SCREW ALIGNMENT Bottom-Up View

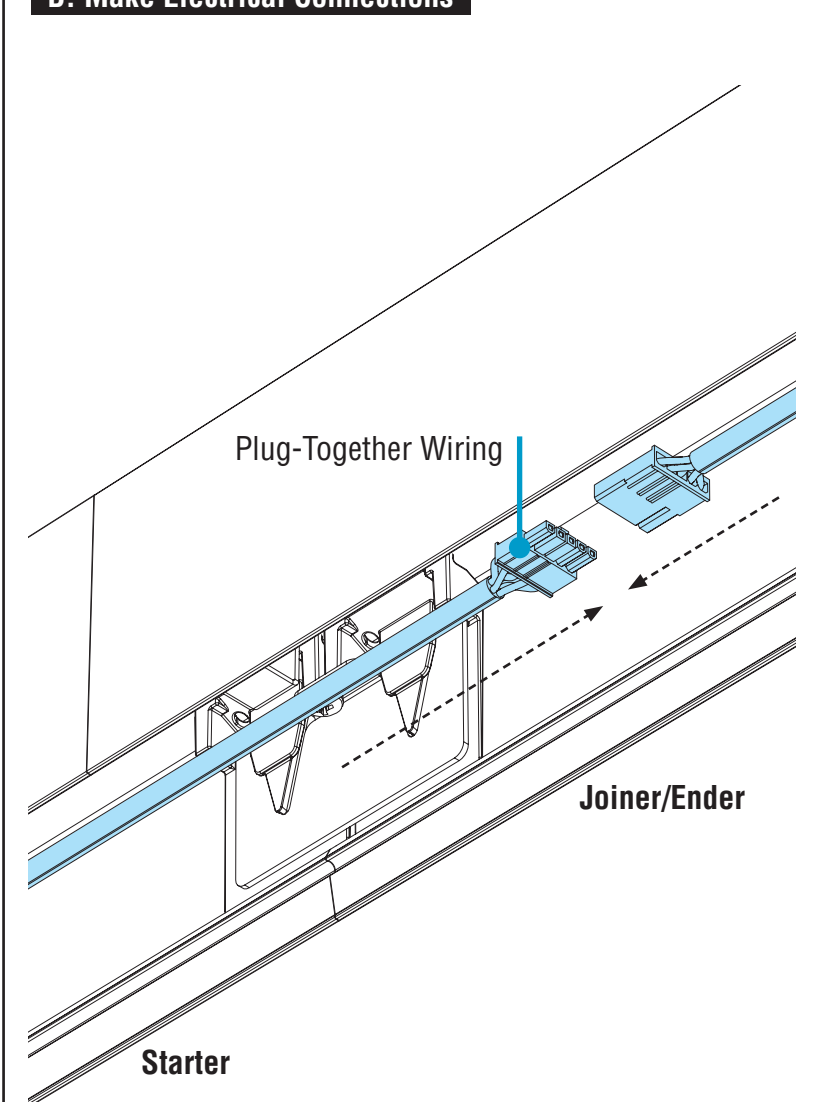


CORRECTLY INSTALLED



NOTE: Yoke screws should be installed directly across from each other, not diagonally, and in holes furthest from the joint line. One yoke screw per one yoke bracket.

B. Make Electrical Connections



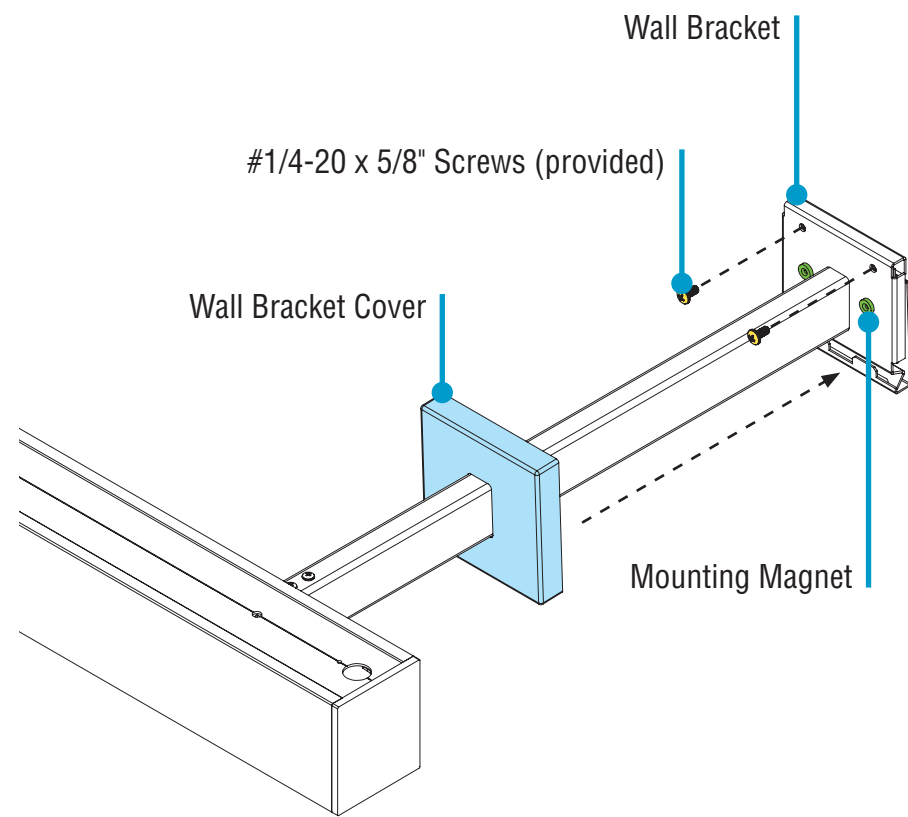
- Connect plug-together wiring.




HP-2 / HP-4 Wall Wash Arm Mount Installation Instructions


Step 7 - Closing Luminaires


A. Install #1/4-20 x 5/8" Screws



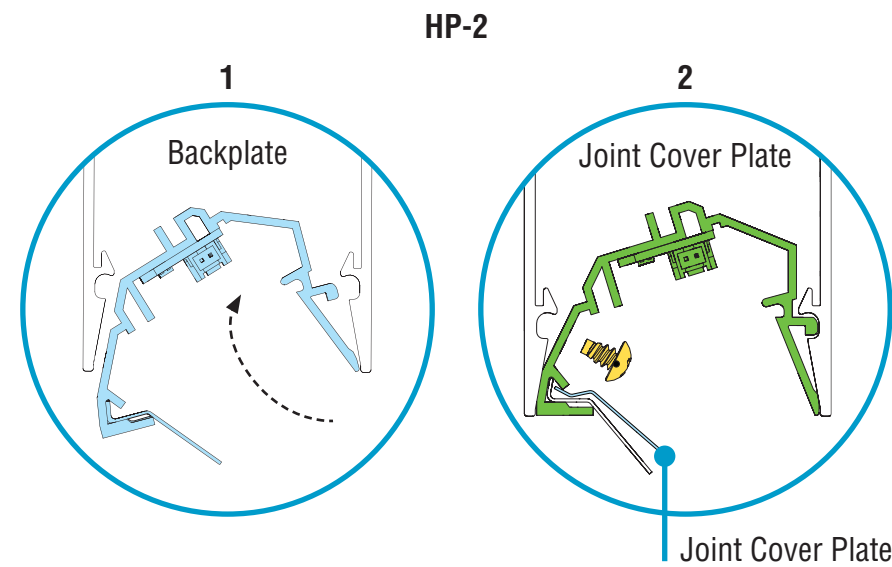
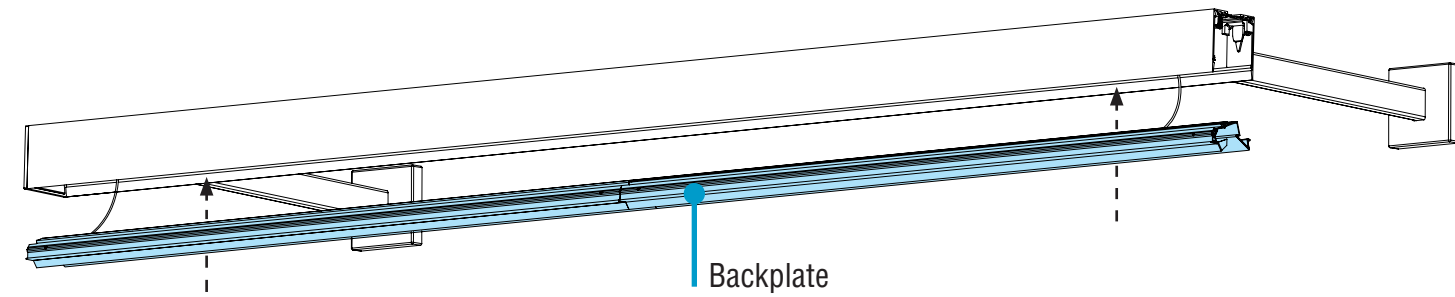
- Install #1/4-20 x 5/8" screws onto the arm brackets, engaging the wall brackets.
- Use screws to level luminaire. Tighten to raise and loosen to lower.
- Slide wall bracket cover along arm towards the wall until mounting magnets engage the wall bracket cover to hold it in place.

 #1/4-20 x 5/8" Screw (provided)

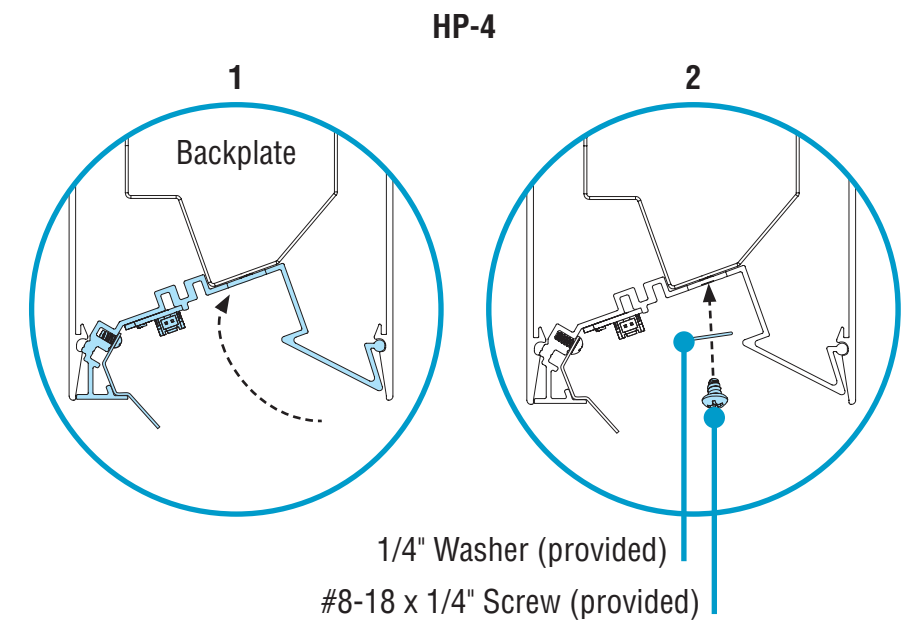
 #8-18 x 1/4" Screw (provided)

 1/4" Washer (provided)

B. Replace Backplates



- 1. Carefully reinstall backplate into luminaire by inserting and rotating.
- 2. Install joint cover plate by inserting into backplate and installing two #8-18 x 1/4" screws at the joint. **PROCEED TO STEP 7D**

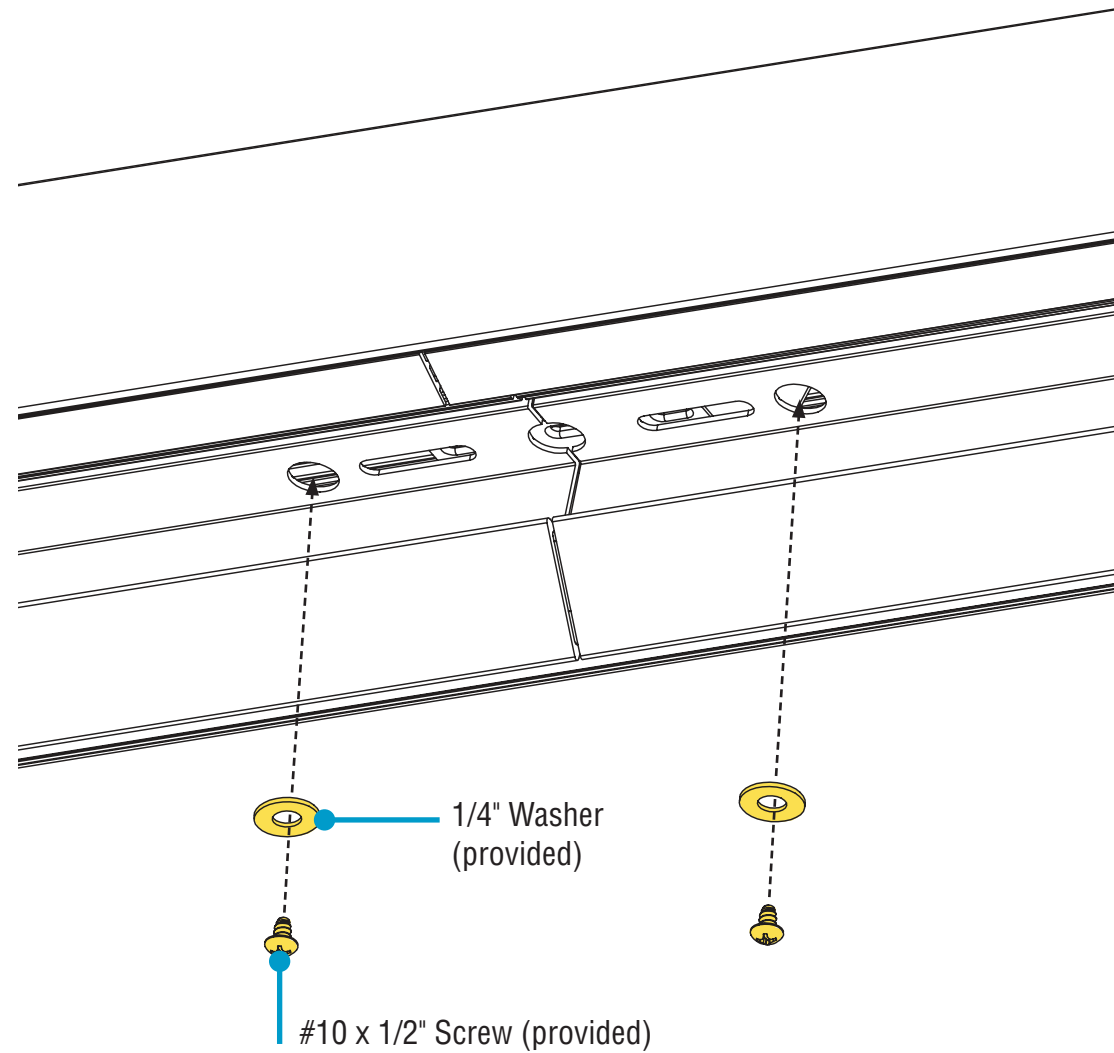


- 1. Carefully reinstall backplate into luminaire by inserting and rotating.
- 2. Install 1/4" washer and #8-18 x 1/4" screw to backplate at both ends of luminaire.

HP-2 / HP-4 Wall Wash Arm Mount Installation Instructions

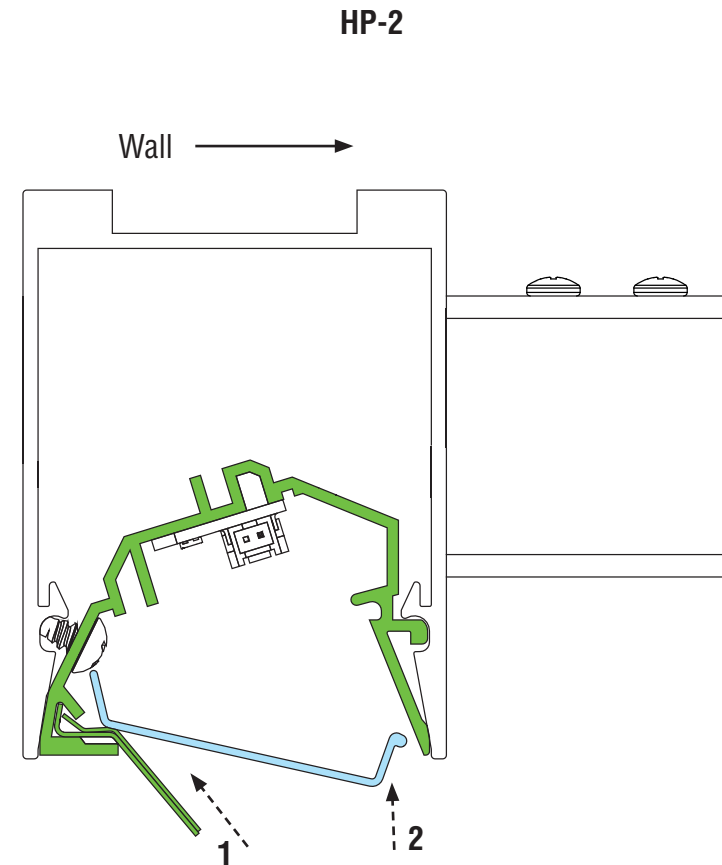
Step 7 - Closing Luminaires

C. Secure Joint with #10 x 1/2" Screw HP-4 Only

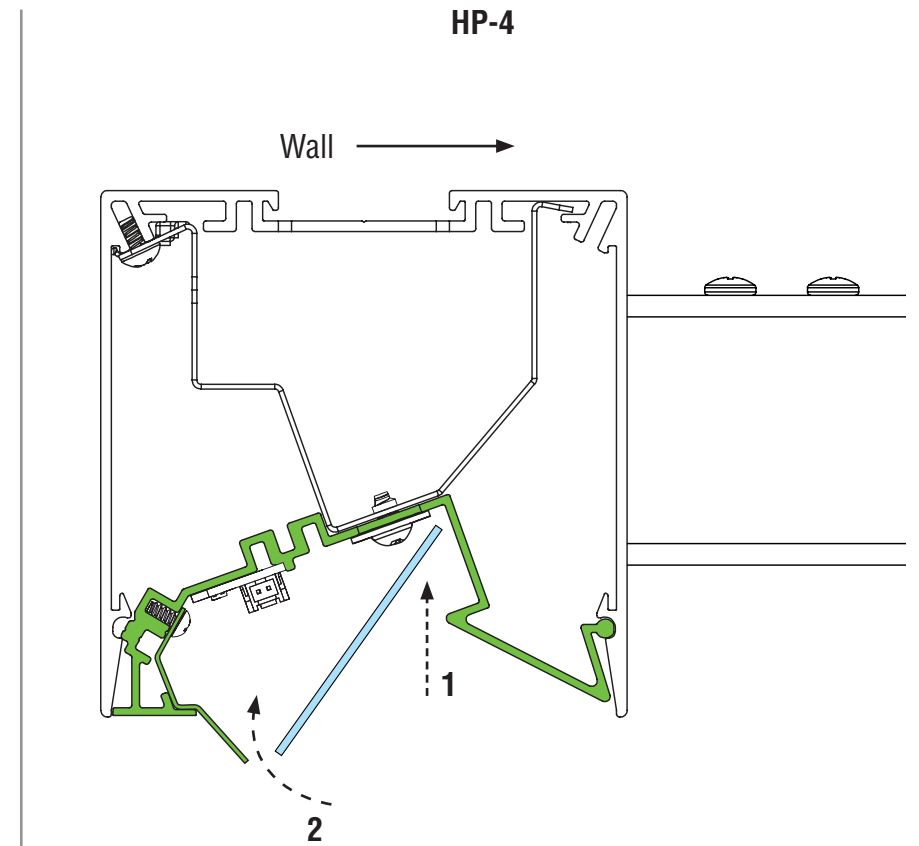


- Install 1/4" washers and #10 x 1/2" screws at the joint.

D. Reinstall Diffusers



- **NOTE:** If your installation includes a battery backup, please see addendum (98333) that should be included with your kitting package.
- Remove diffusers from protective plastic bag.
- **CAUTION:** Wear gloves to keep diffuser surface clean.
- **CRITICAL:** Be sure to install correct diffuser to its corresponding luminaire ID.
- Install diffusers into luminaire body, ensuring they are in place.
- **1.** Slide the side of the diffuser without a notch into the luminaire.
- **2.** Push the side of the diffuser that has a notch until click sound is heard.
- Turn power on to luminaire.



- **NOTE:** If your installation includes a battery backup, please see addendum (98333) that should be included with your kitting package.
- Remove diffusers from protective plastic bag.
- **CAUTION:** Wear gloves to keep diffuser surface clean.
- **CRITICAL:** Be sure to install correct diffuser to its corresponding luminaire ID.
- Install diffusers into luminaire body, ensuring they are in place.
- **1.** Reinstall diffusers by pushing right side of the diffuser into the backplate.
- **2.** Push the left side of diffuser until it lays flat on the backplate.
- Turn power on to luminaire.

