

HP-2 / HP-4 Wall Wash Recessed T-Bar Installation Instructions

Overview

NOTES

- All power connections should be installed according to local/national codes by a Certified Electrician.
- This installation requires **proper support** as each luminaire is being installed.
- **DO NOT attempt to join luminaires together on the floor.** Damage may result when lifted.



HELPFUL
VIDEOS



0-10V
Dimming



Universal &
Robust Joints



Simple
Plug-Together
Wiring

Step 1
T-Bar Dimensions,
Mounting Types, & Electrical
Connection Options
Pages 2-4

Step 2
Identification & Preparation
Page 5

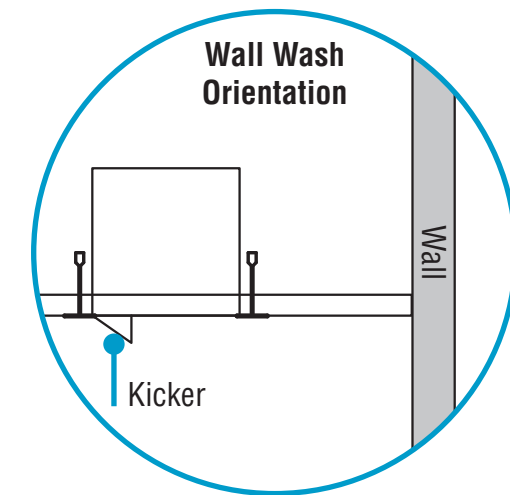
Step 4
Opening Luminaires
Page 7

Step 5
Joining Luminaires
Page 8

Step 3
Mounting Starter to Structure
Page 6

Step 6
Securing Luminaire Joints
Page 9

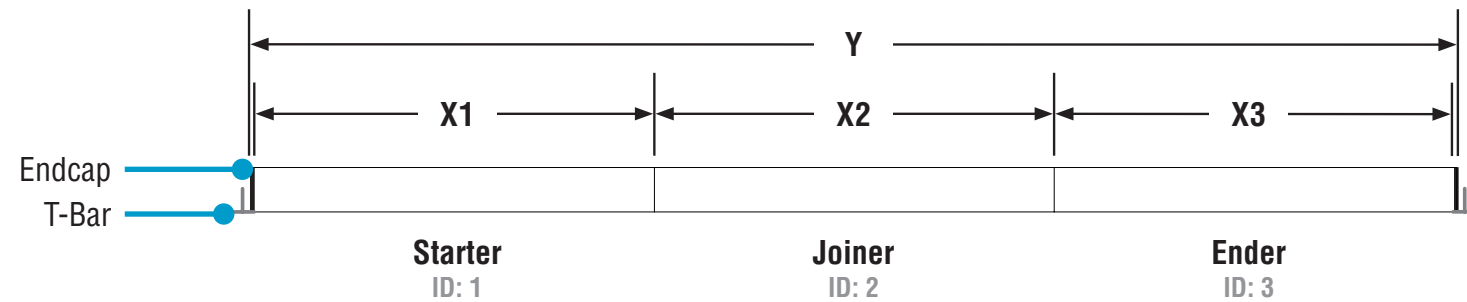
Step 7
Closing Luminaires
Pages 10-11



HP-2 / HP-4 Wall Wash Recessed T-Bar Installation Instructions

Step 1 - T-Bar Dimensions, Mounting Types, & Electrical Connection Options

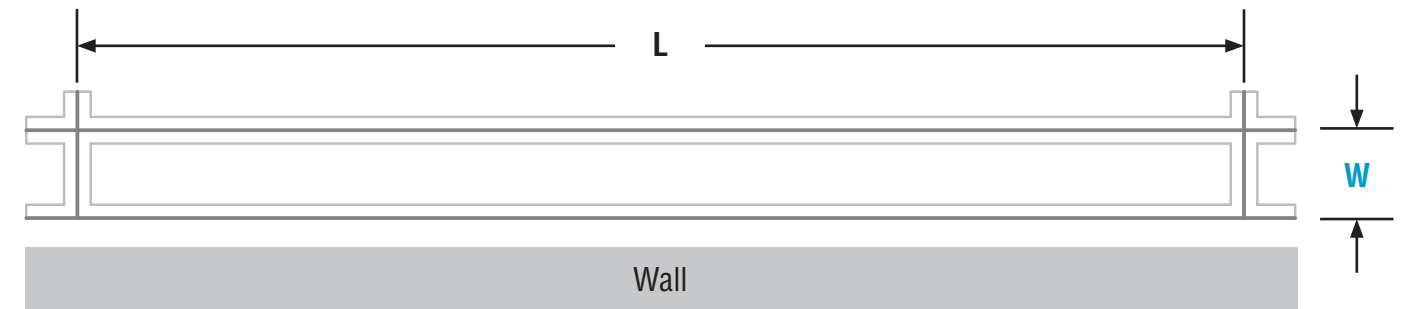
Total Run Length



X = Luminaire section length (**Does not include** endcaps)
Y = Total run length of luminaire (**Includes** 1/8" for **BOTH** endcaps)
Endcap = 1/16"

Refer to Record Drawings and building plans to determine exact mounting, suspension points, and power feed locations.

T-Bar Build Dimensions



	L = Total Run T-Bar Length
HP-2 & HP-4	Y + 1"

W = T-Bar width see page 3

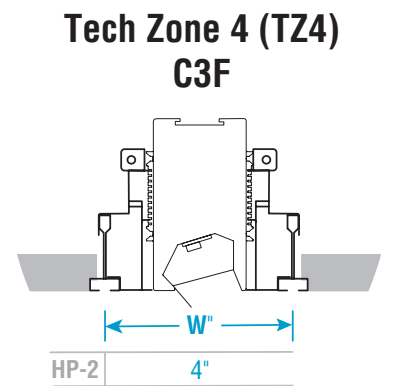
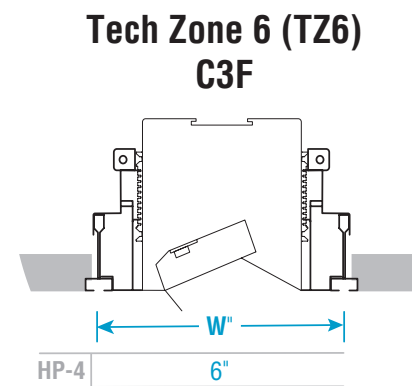
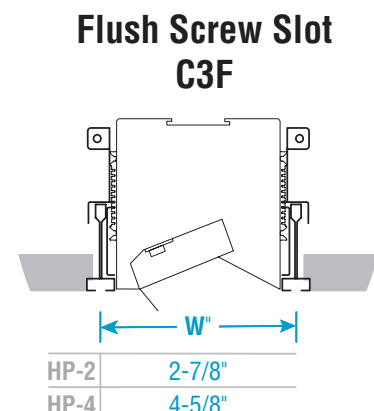
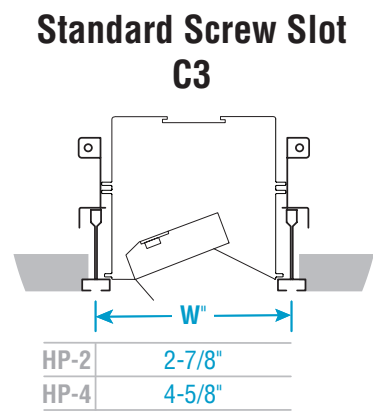
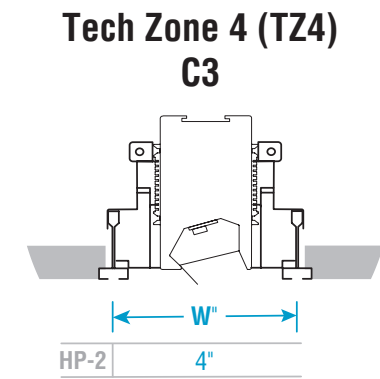
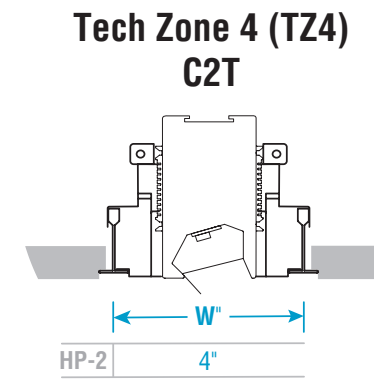
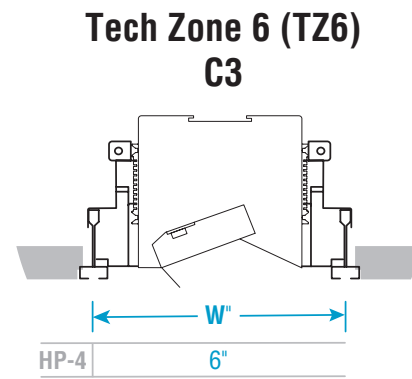
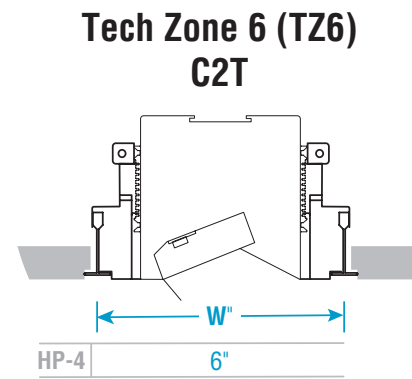
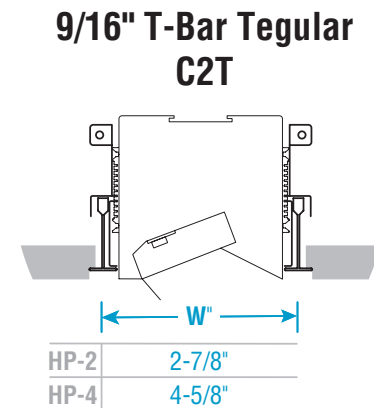
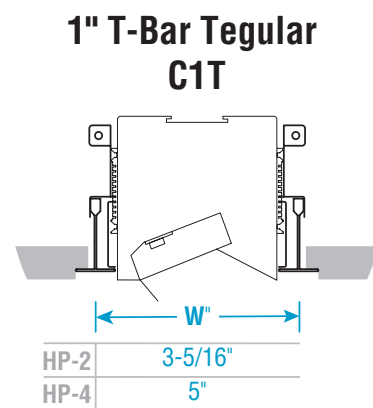
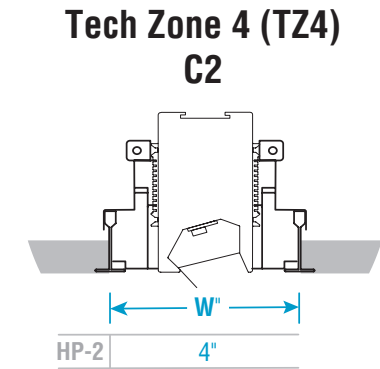
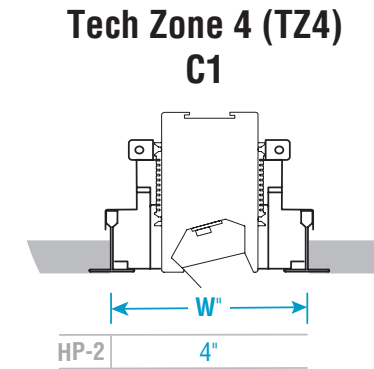
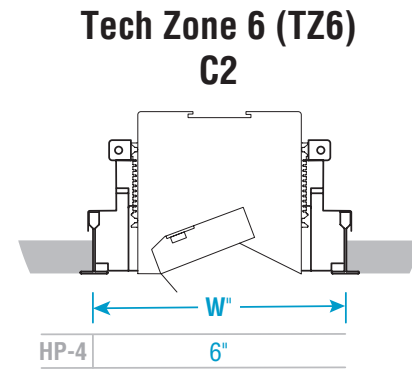
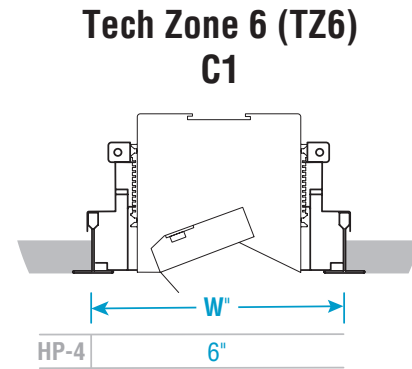
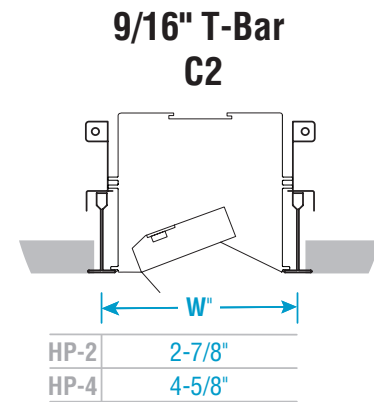
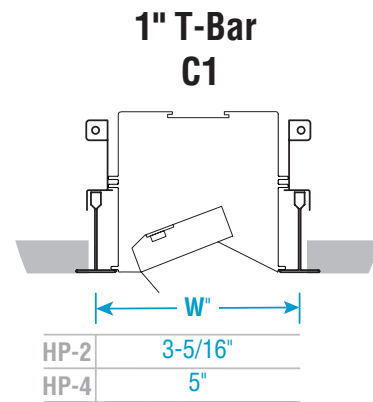
Center to center of T-Bar. Tolerance: +/- 1/16"

Construct T-Bar ceiling for luminaire placement based on length and width dimensions per diagram.

HP-2 / HP-4 Wall Wash Recessed T-Bar Installation Instructions

Step 1 - T-Bar Dimensions, Mounting Types, & Electrical Connection Options

Mounting Types & Rough-Ins



- **NOTE:** Only for standard 2x4 or 2x2 T-Bar ceiling, the starter luminaire is purposefully short by 1-1/8" to ensure fit in T-Bar types, shown above.
- The luminaire endcaps and end flanges cover any gaps and ensure smooth flush appearance at the ends.

W = T-Bar width

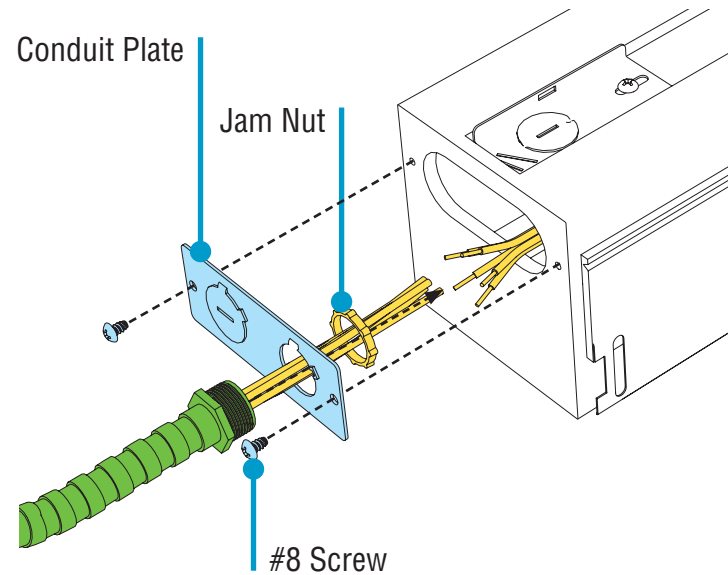
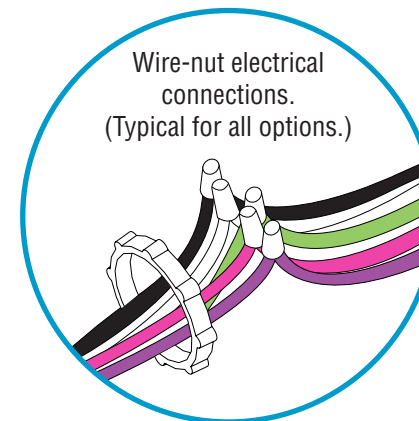
HP-2 / HP-4 Wall Wash Recessed T-Bar Installation Instructions

Step 1 - T-Bar Dimensions, Mounting Types, & Electrical Connection Options

Electrical Connection Options

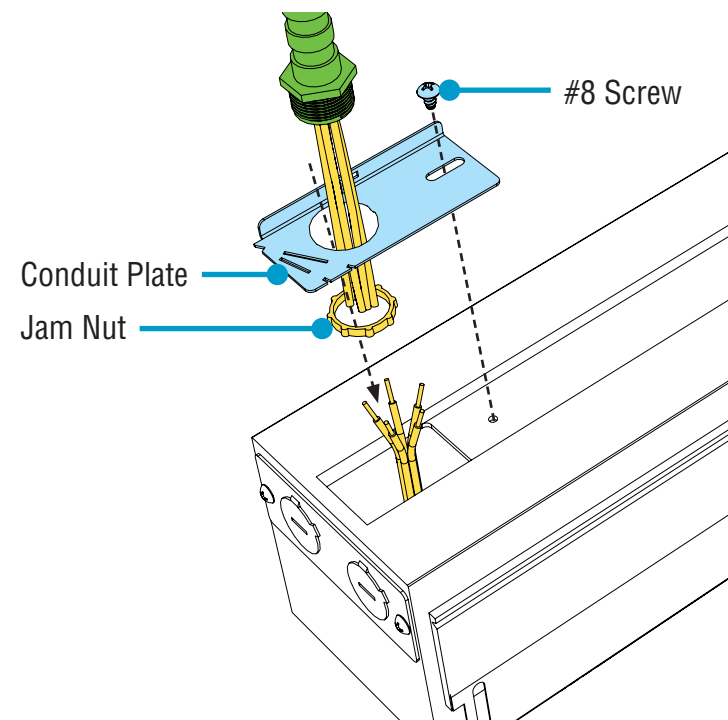
WIRING LEGEND

Black	Hot	Line Voltage
White	Neutral	Line Voltage
Green	Ground	
Pink	Dimming	0-10V DC
Purple	Dimming	0-10V DC



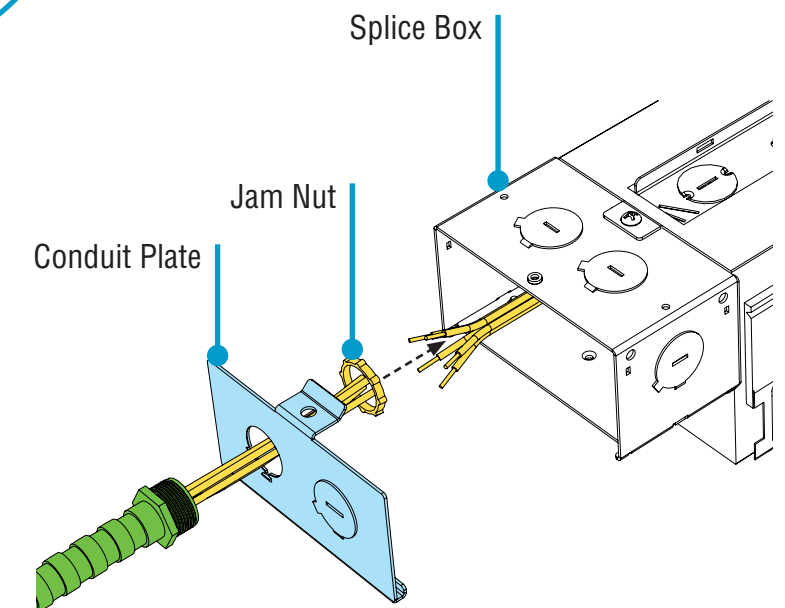
CONDUIT PLATE - ENDCAP (Standard)

- Remove two screws holding conduit plate.
- Install conduit and jam nut onto conduit plate.
- Wire-nut electrical connections. See wiring legend above.
- Reinstall conduit plate and screws. Do not damage any wires.



CONDUIT PLATE - TOP (Optional: HP-4 Only)

- Remove screw holding conduit plate.
- Install conduit and nut onto conduit plate.
- Wire-nut electrical connections. See wiring legend above.
- Reinstall conduit plate and screw. Do not damage any wires.



SPLICE BOX (Optional)

- Lift tab to unsnap and remove splice box cover.
- Install conduit and nut onto splice box cover.
- Wire-nut electrical connections. See wiring legend above.
- Reinstall splice box cover. Do not damage any wires.



0-10V
Dimming

HP-2 / HP-4 Wall Wash Recessed T-Bar Installation Instructions

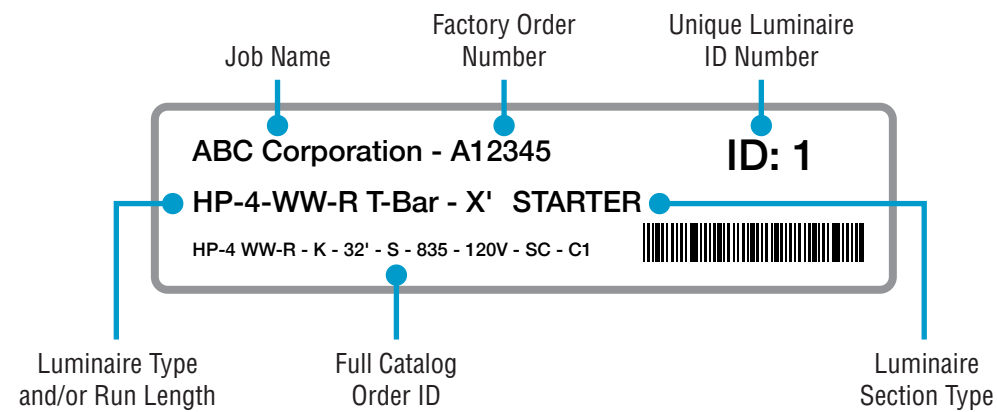
Step 2 - Identification & Preparation

A. Identify Luminaires



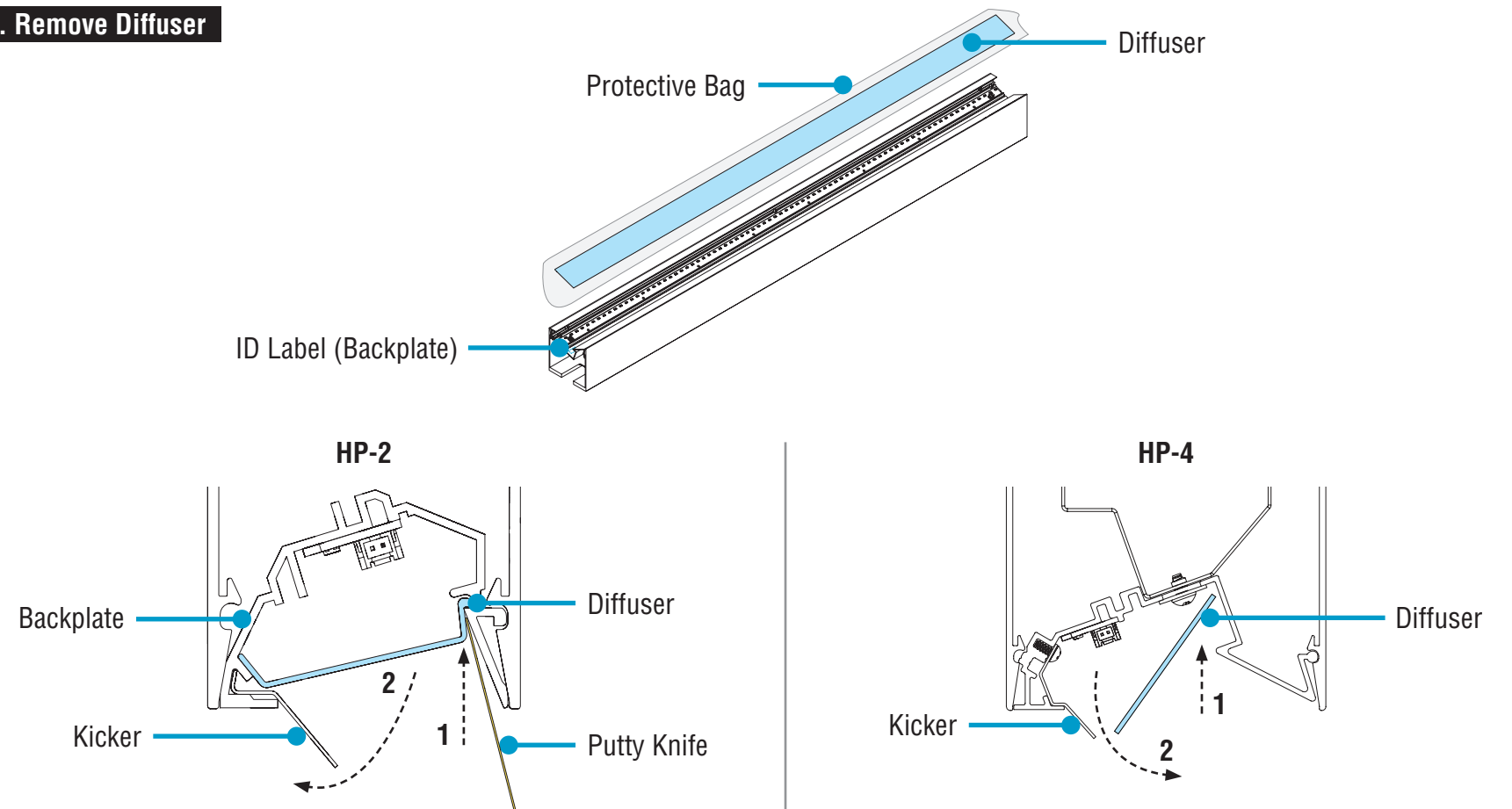
CAUTION

Arrange luminaires in order according to ID# at their install locations.



- Identify all luminaires by their ID label that can be found on the box, on the diffuser, and inside the luminaire.
- **NOTE:** Exact location of labels in these areas may vary.
- Remove all luminaires from their box.
- Refer to Record Drawings that can be found in the hardware kit.

B. Remove Diffuser

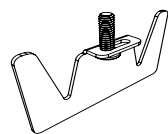


1. Slide putty knife between the backplate and diffuser.
 2. Carefully separate diffuser from the backplate, keeping it inside its protective bag.
- Set aside all diffusers to prevent from getting dirty or damaged.
 - Ensure diffuser can be clearly identified back to its corresponding luminaire.

1. Push bottom edge of the diffuser into backplate.
 2. Slide diffuser out of backplate.
- Carefully remove all diffusers.
 - Set aside all diffusers to prevent from getting dirty or damaged.
 - Ensure diffusers can be clearly identified back to its corresponding luminaire.

Kitted Hardware

- Finelite has provided items listed here, with their Finelite part numbers. These items can be found in separate boxes shipped with the luminaire.
- Account for all parts and set aside until they are needed.
- All other hardware needed for this installation will be by others.

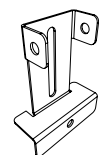


Yoke Bracket
Part# 45042

#10-32 x 5/8" Screw
Part# 94144
Securing Luminaire Joints
p. 8, Step 5



#10 x 1/2" Screw
Part# 92081
Closing Luminaires
p. 11, Step 7



T-Bar Bracket (C1, C2, C3)
Part# 45651

T-Bar Bracket (TZ4)
Part# 45652

T-Bar Bracket (C1T, C2T, C3F)
Part# 27038

T-Bar Bracket (TZ6)
Part# 27040
Closing Luminaires
p. 10, Step 7



#8-18 x 1/4" Screw
Part# 69026
Opening Luminaires
p. 7, Step 4
Closing Luminaires
p. 10, Step 7



#6 Self-Drilling Screw
Part# 95054
Closing Luminaires
p. 10, Step 7

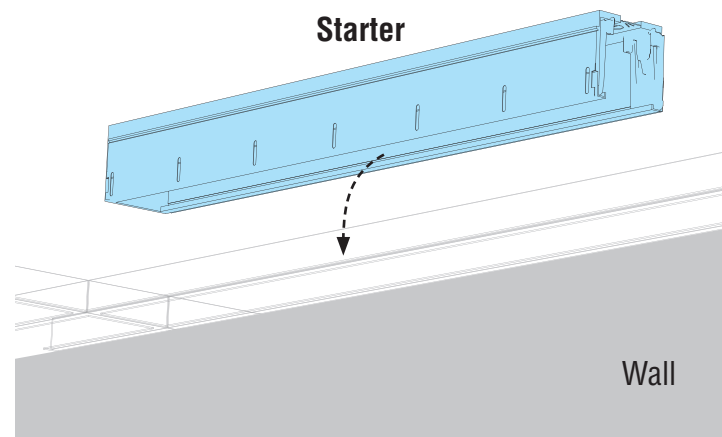


1/4" Washer
Part# 94082
Opening Luminaires
p. 7, Step 4
Closing Luminaires
p. 10-11, Step 7

HP-2 / HP-4 Wall Wash Recessed T-Bar Installation Instructions

Step 3 - Mounting Starter to Structure

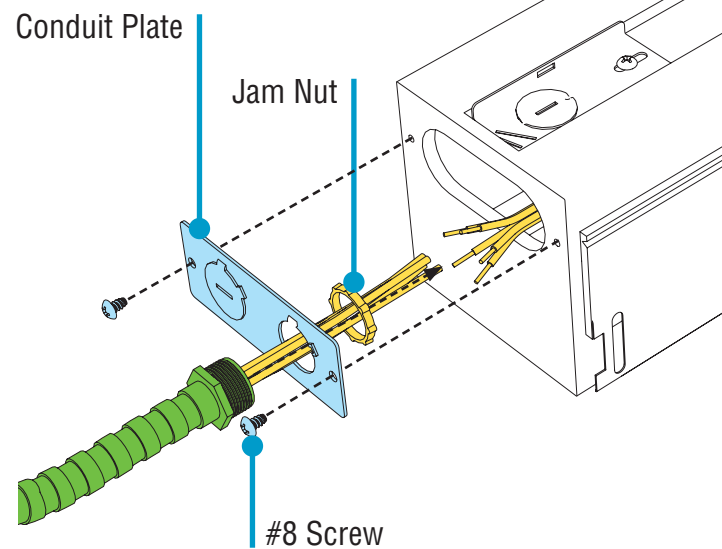
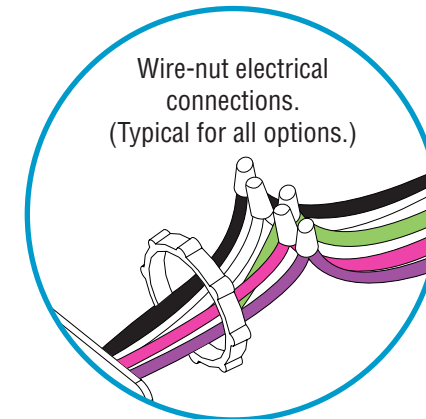
A. Mount Starter to Structure



Make Electrical Connections

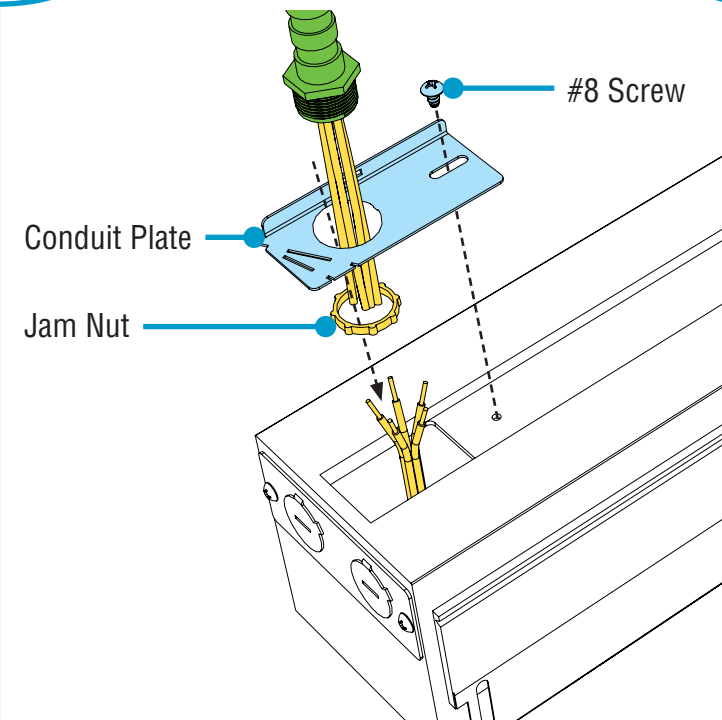
WIRING LEGEND

Black	Hot	Line Voltage
White	Neutral	Line Voltage
Green	Ground	
Pink	Dimming	0-10V DC
Purple	Dimming	0-10V DC



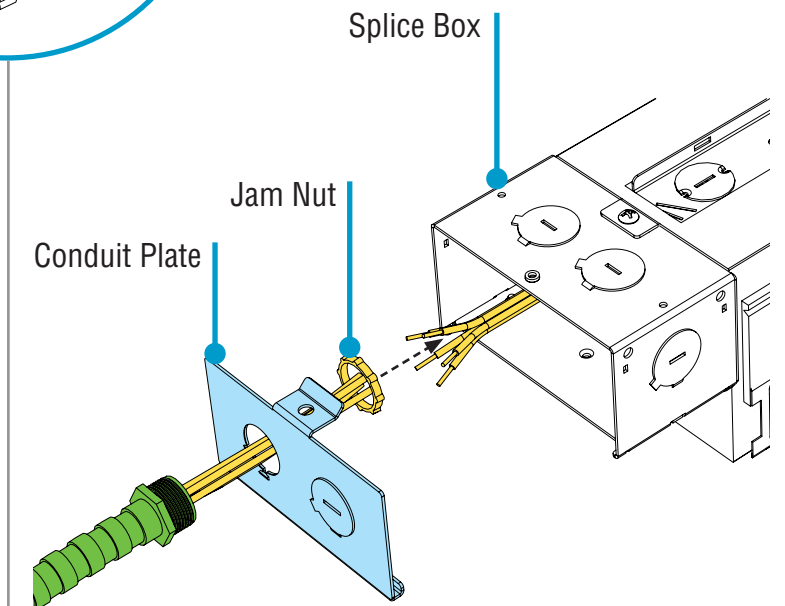
CONDUIT PLATE - ENDCAP (Standard)

- Remove two screws holding conduit plate.
- Install conduit and jam nut onto conduit plate.
- Wire-nut electrical connections. See wiring legend above.
- Reinstall conduit plate and screws. Do not damage any wires.



CONDUIT PLATE - TOP (Optional: HP-4 Only)

- Remove screw holding conduit plate.
- Install conduit and nut onto conduit plate.
- Wire-nut electrical connections. See wiring legend above.
- Reinstall conduit plate and screw. Do not damage any wires.



SPLICE BOX (Optional)

- Lift tab to unsnap and remove splice box cover.
- Install conduit and nut onto splice box cover.
- Wire-nut electrical connections. See wiring legend above.
- Reinstall splice box cover. Do not damage any wires.

- Maneuver luminaire into ceiling space above T-Bar ceiling.
- Lower luminaire into place onto T-Bar.
- If part of an independent run, **PROCEED TO STEP 7** after making electrical connections.

 Flex Conduit
(by others)

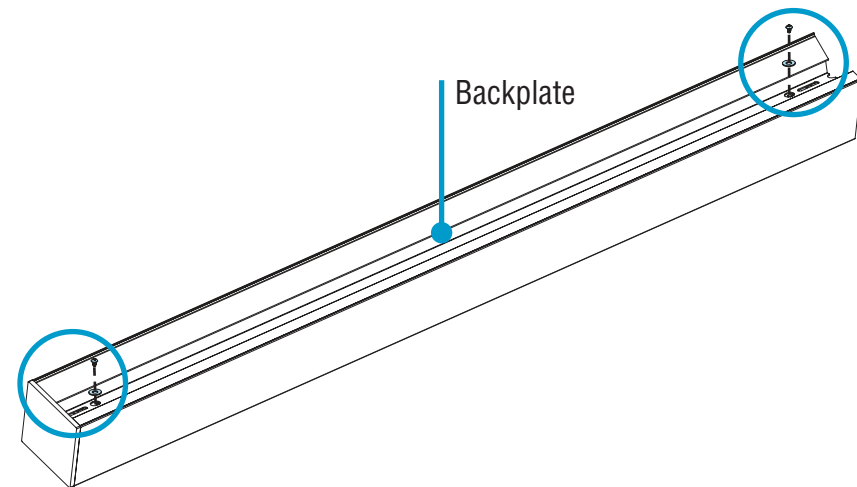


0-10V
Dimming

HP-2 / HP-4 Wall Wash Recessed T-Bar Installation Instructions

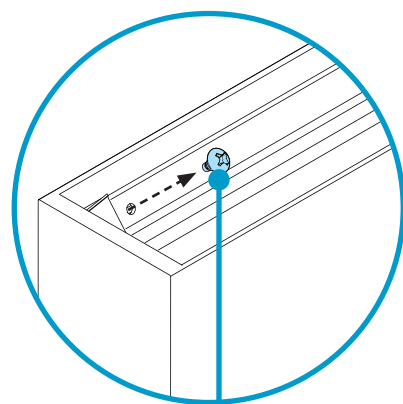
Step 4 - Opening Luminaires

A. Release Backplates

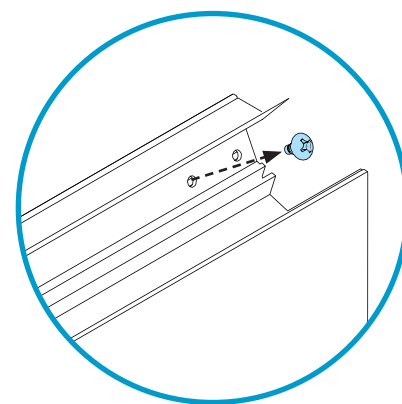


HP-2

HP-4

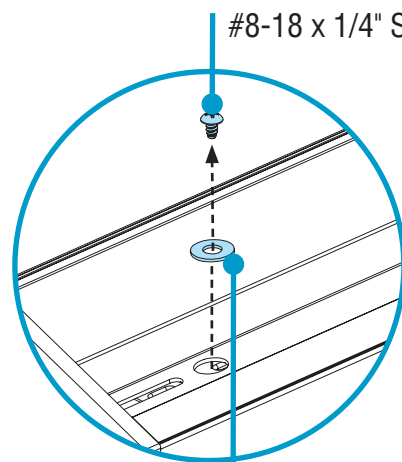


#8-18 x 1/4" Screw (provided)



- Release backplate from luminaire body by removing the #8-18 x 1/4" screw from both ends of the luminaire.

• **CAUTION:** Set these screws aside. Do not lose.



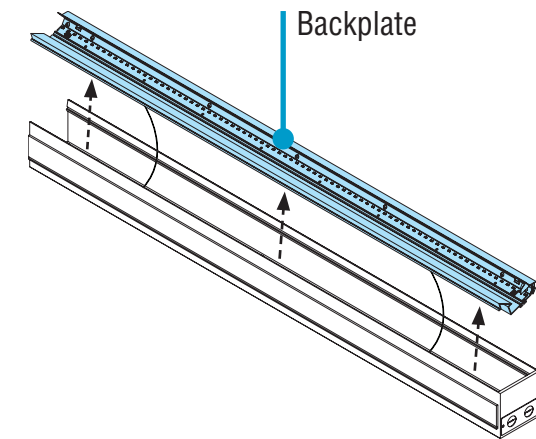
#8-18 x 1/4" Screw (provided)

1/4" Washer (provided)

- Release backplate from luminaire body by removing the #8-18 x 1/4" screw and 1/4" washer from both ends of the luminaire.

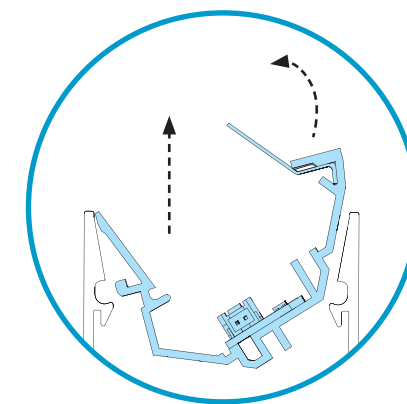
• **CAUTION:** Set these screws and washers aside. Do not lose.

B. Remove Backplates

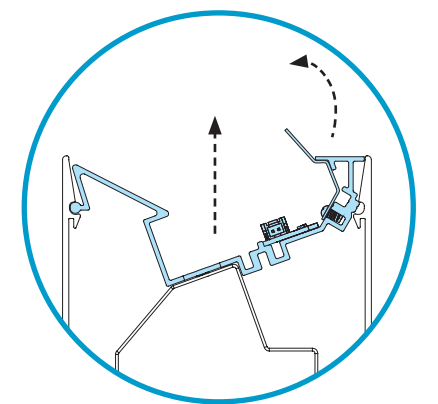


HP-2

HP-4



- Remove backplates by rotating then lifting **up and out** of the luminaire body.
- Keep backplate hanging with safety cables connected.



- Remove backplates by rotating then lifting **up and out** of the luminaire body.
- Keep backplate hanging with safety cables connected.



#8-18 x 1/4" Screw
(provided)



1/4" Washer
(provided)

HP-2 / HP-4 Wall Wash Recessed T-Bar Installation Instructions

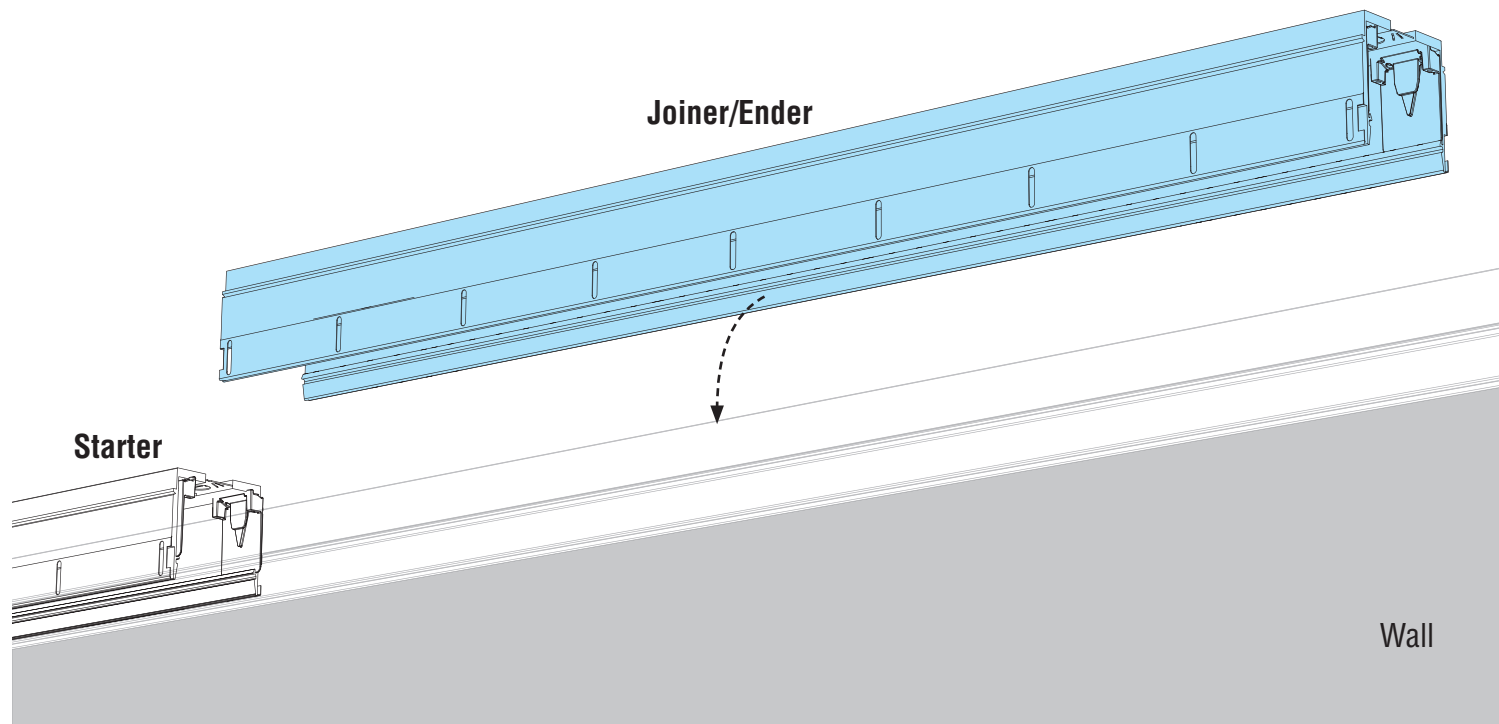
Step 5 - Joining Luminaires

A. Mount Joiner/Ender to Structure



CAUTION

DO NOT attempt to join luminaires together on the floor. Damage may result when lifted. Follow these instructions.



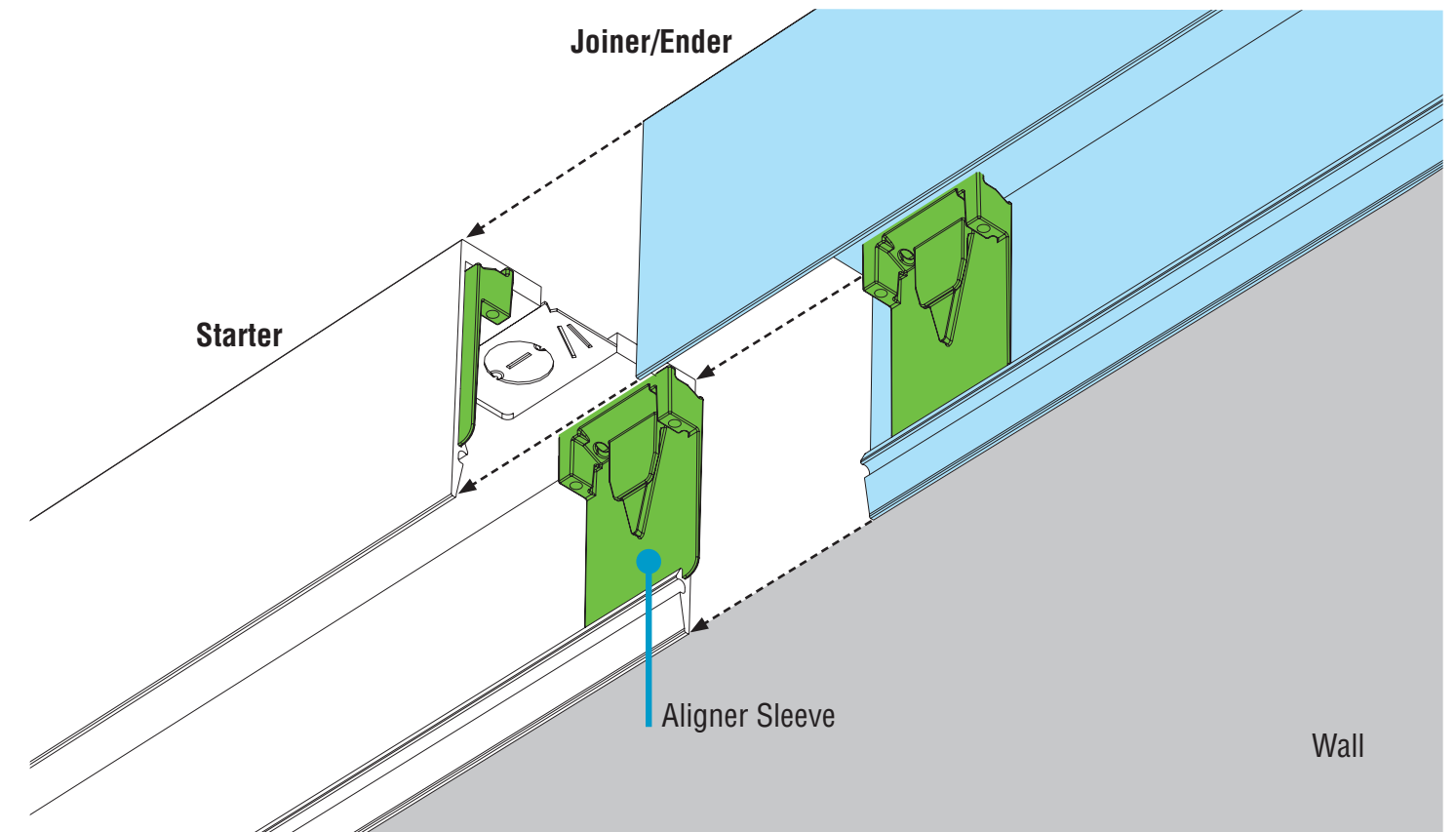
- Maneuver joiner/ender into ceiling space above T-Bar ceiling.
- Lower joiner/ender into place onto T-Bar.
- Remove backplate as shown in Step 4.

B. Join Luminaires



CAUTION

Once luminaires are aligned together, **joiner luminaire is not yet secure**. Ensure it does not slide off as it rests on the starter luminaire.



- Align joiner/ender with aligner sleeves on starter and slide together. Be careful not to damage any wiring.
- If necessary, **lift** both luminaires, then slide together.

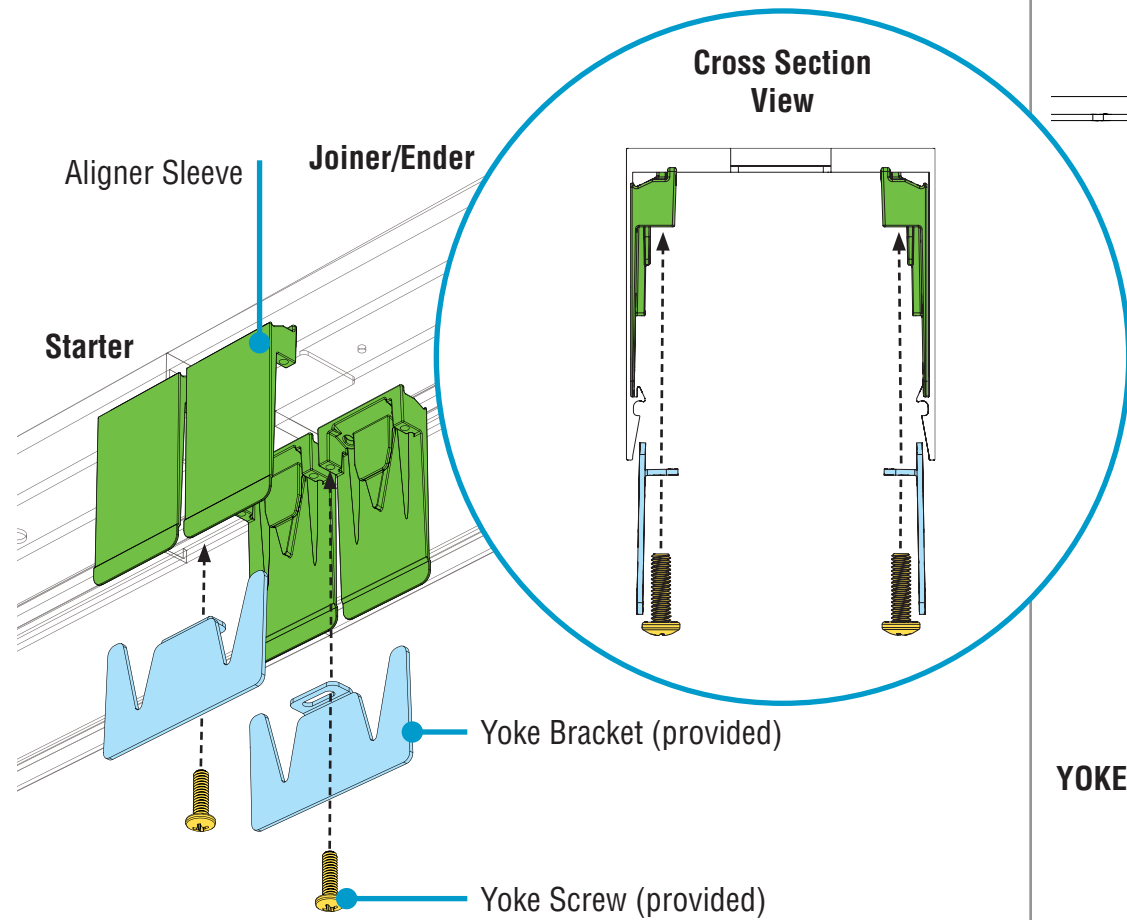


Universal &
Robust Joints

HP-2 / HP-4 Wall Wash Recessed T-Bar Installation Instructions

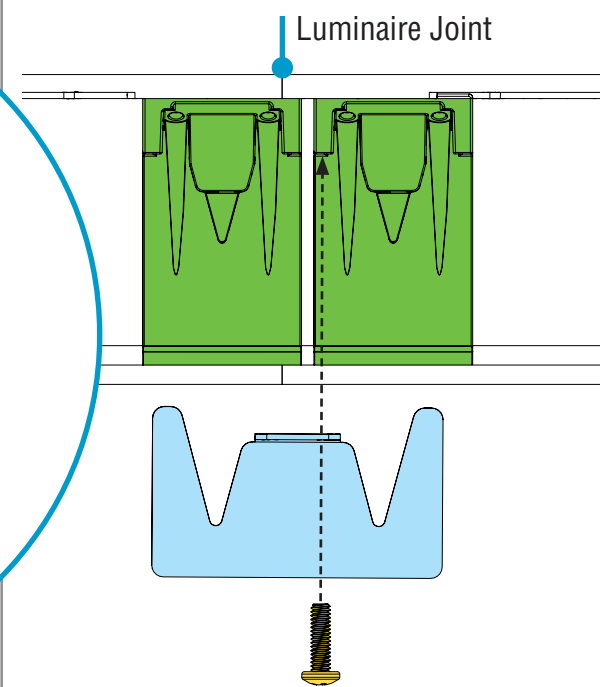
Step 6 - Securing Luminaire Joints

A. Secure Joint with Yoke Brackets

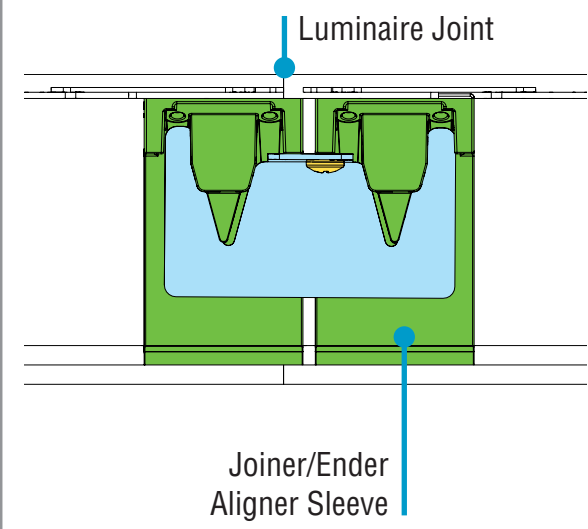


Cross Section View

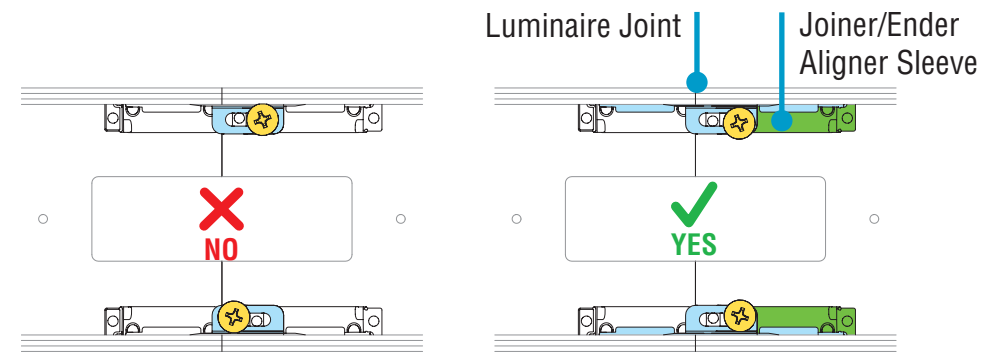
IN ALIGNMENT



CORRECTLY INSTALLED



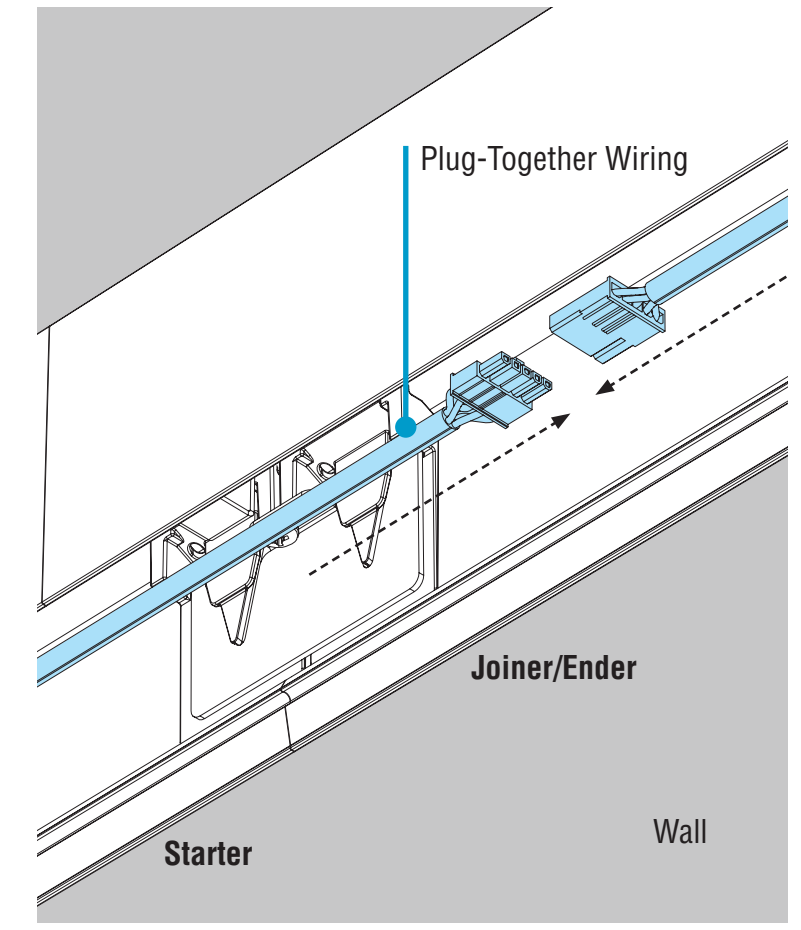
YOKE SCREW ALIGNMENT Bottom-Up View



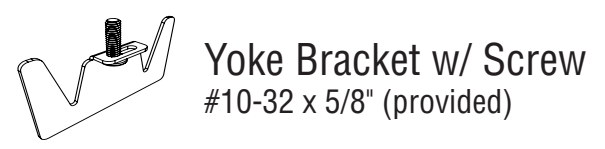
- Before installing yoke brackets, ensure the joining ends of luminaires meet flush and square.
- **CRITICAL:** Ensure yoke brackets properly engage with aligner sleeves.
- Secure joint by using a screwdriver¹ to tighten yoke screws through yoke brackets and into the aligner sleeves until joint seam of luminaire is closed.

NOTE: Yoke screws should be installed directly across from each other, not diagonally, and in holes furthest from the joint line. One yoke screw per one yoke bracket.

B. Make Electrical Connections



- Connect plug-together wiring.

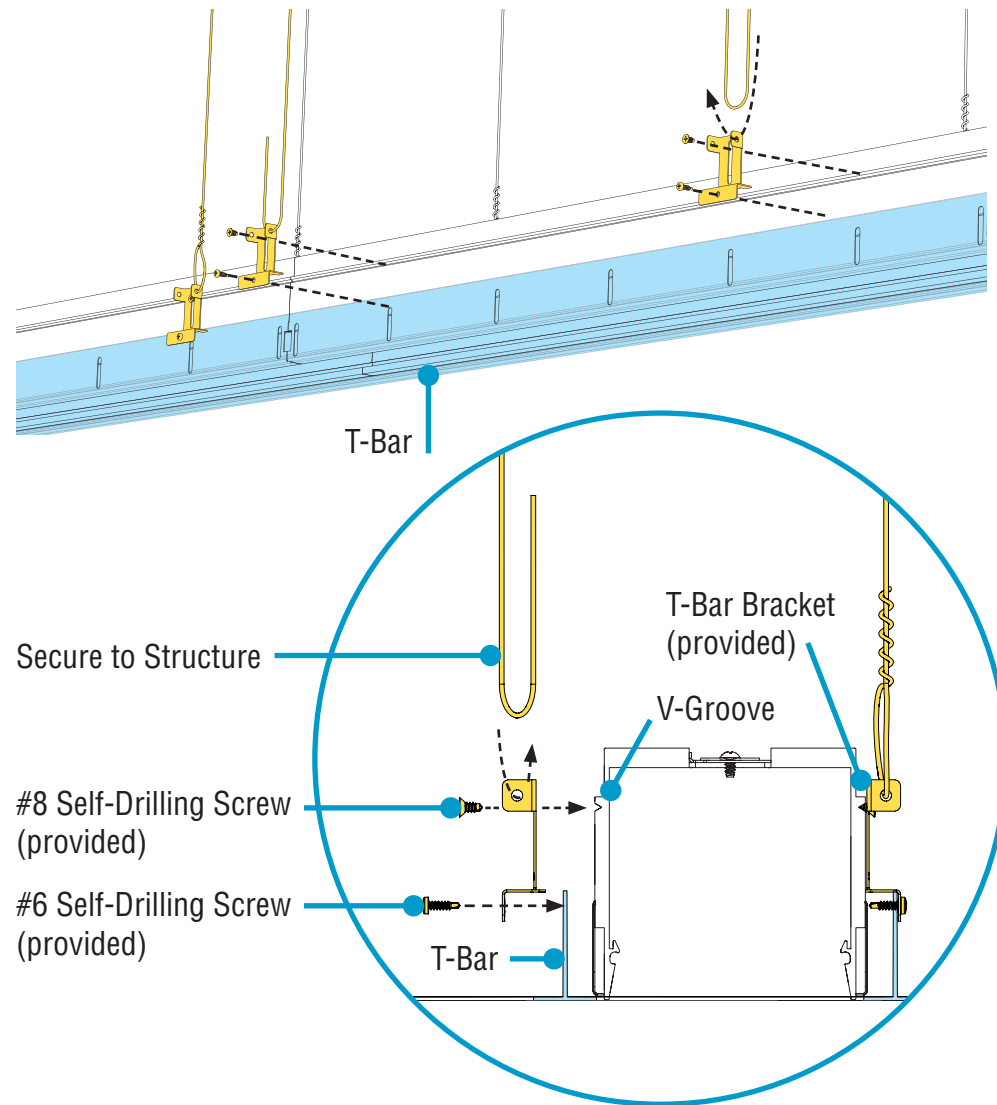


¹ Screwdriver with 6" bit required.

HP-2 / HP-4 Wall Wash Recessed T-Bar Installation Instructions

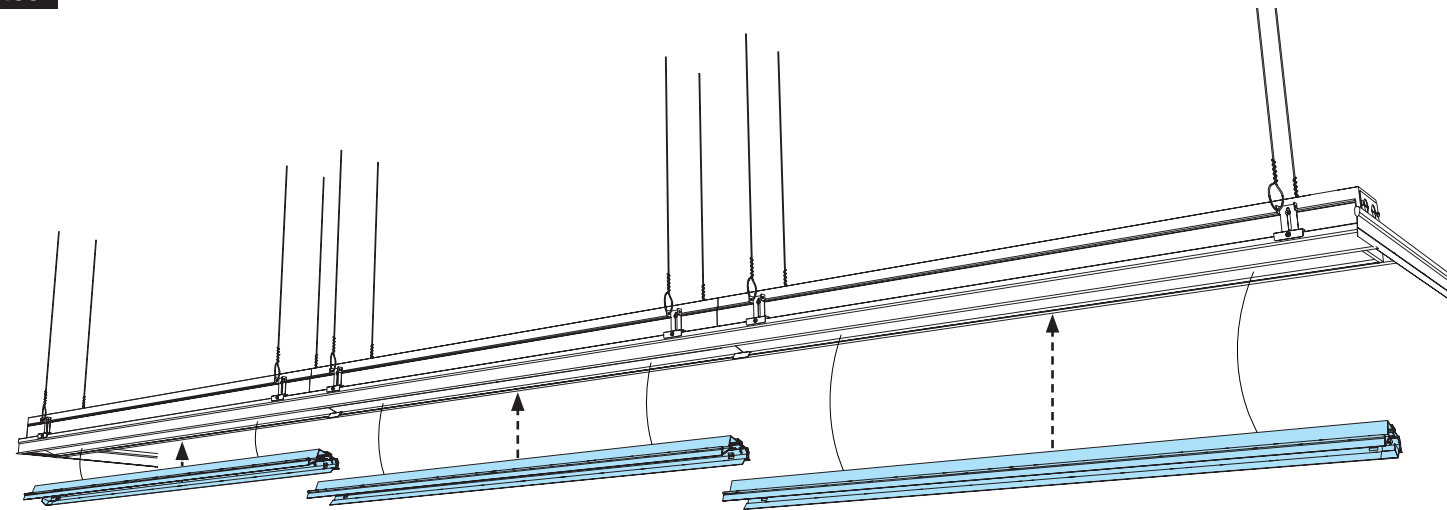
Step 7 - Closing Luminaires

A. Secure to Structure

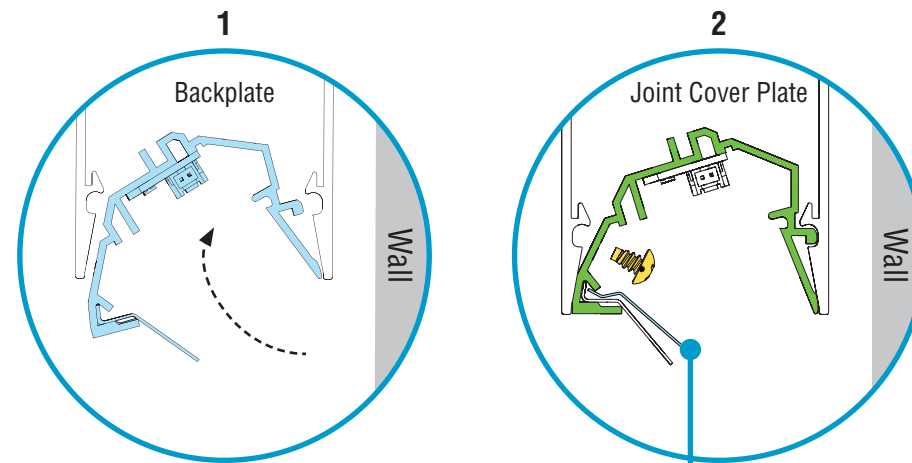


- Use #8 self-drilling screws to mount brackets onto luminaire. Drill the screw into the v-groove screw channel.
- Secure luminaire to building structure using tie-wires, as per code.
- Use #6 self-drilling screws to mount T-Bar brackets to T-Bar ceiling.
- **CAUTION: Do not over-tighten. Use these screws to control centering of the luminaire between the T-Bars on both sides.**

B. Replace Backplates



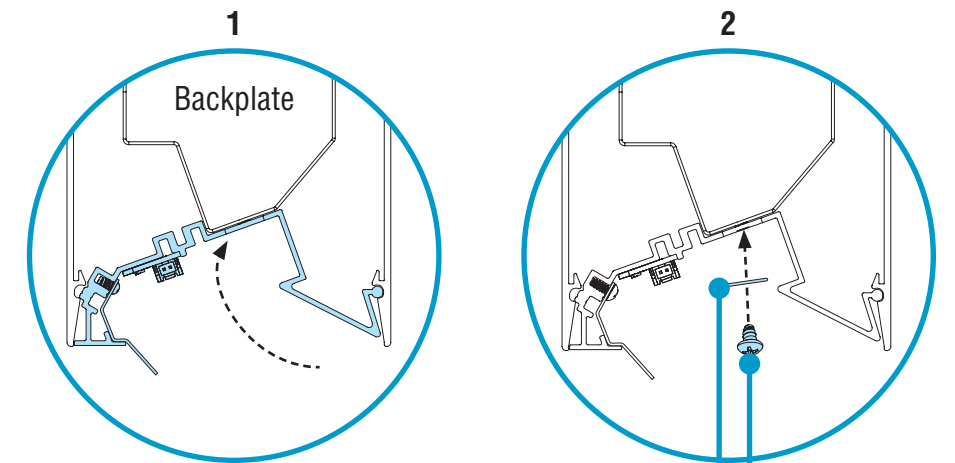
HP-2



Joint Cover Plate

- 1. Carefully reinstall backplate into luminaire by inserting and rotating.
- 2. Install joint cover plate by inserting into backplate and installing two #8-18 x 1/4" screws at the joint. **PROCEED TO STEP 7D.**

HP-4

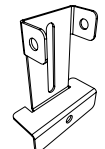



1/4" Washer (provided)
#8-18 x 1/4" Screw (provided)


- 1. Carefully reinstall backplate into luminaire by inserting and rotating.
- 2. Install 1/4" washer and #8-18 x 1/4" screw to backplate at both ends of the luminaire.

 #8 Self-Drilling Screw (provided)

 #6 Self-Drilling Screw (provided)

 T-Bar Bracket (provided)

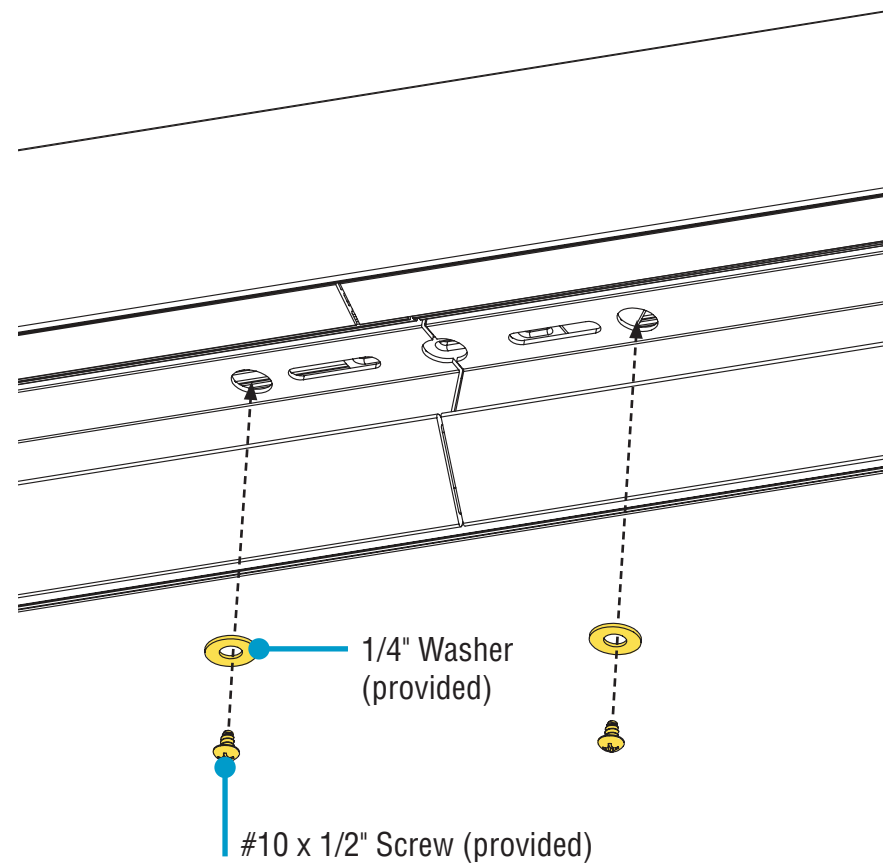
 #8-18 x 1/4" Screw (provided)

 1/4" Washer (provided)

HP-2 / HP-4 Wall Wash Recessed T-Bar Installation Instructions

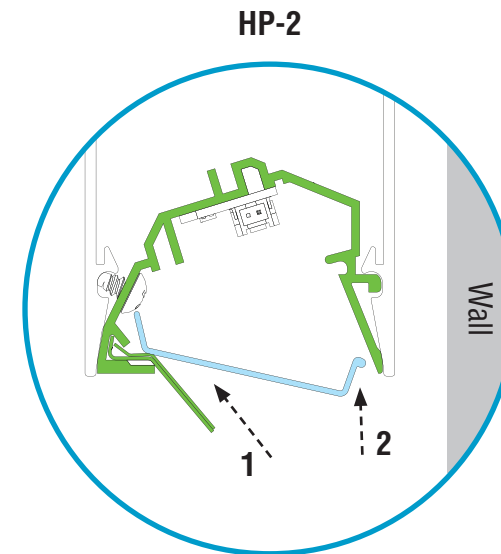
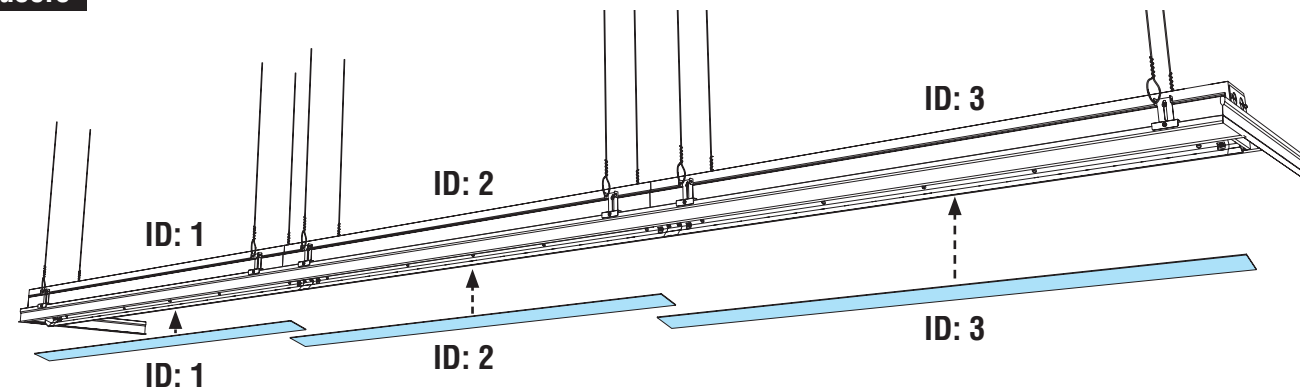
Step 7 - Closing Luminaires

C. Secure Joint with #10 x 1/2" Screws HP-4 Only

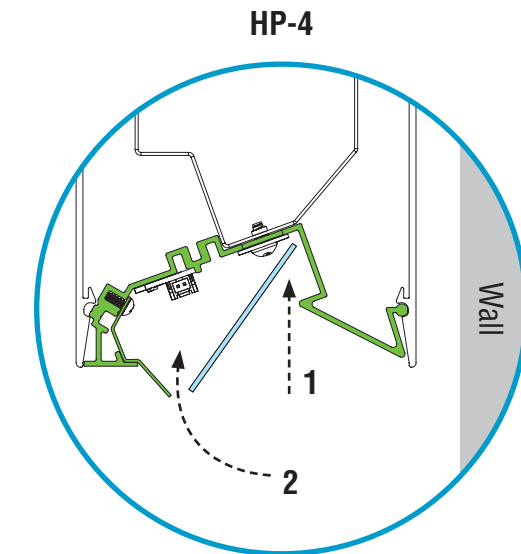


- Install 1/4" washers and #10 x 1/2" screws at the joint.

D. Final Step - Replace Diffusers



- **NOTE:** If your installation includes a battery backup, please see addendum (98333) that should be included with your kitting package.
- Remove diffusers from protective plastic bag.
- **CAUTION:** Wear gloves to keep diffuser surface clean.
- **CRITICAL:** Be sure to install correct diffuser to its corresponding luminaire ID.
- Install diffusers into luminaire body, ensuring they are in place.
- **1.** Slide the side of the diffuser without a notch into the luminaire.
- **2.** Push the side of the diffuser that has a notch until click sound is heard.
- Turn power on to luminaire.



- **NOTE:** If your installation includes a battery backup, please see addendum (98333) that should be included with your kitting package.
- Remove diffusers from protective plastic bag.
- **CAUTION:** Wear gloves to keep diffuser surface clean.
- **CRITICAL:** Be sure to install correct diffuser to its corresponding luminaire ID.
- Install diffusers into luminaire body, ensuring they are in place.
- **1.** Reinstall diffusers by pushing right side of the diffuser into the backplate.
- **2.** Push the left side of diffuser until it lays flat on the backplate.
- Turn power on to luminaire.

