

HP-2 / HP-4 / HP-6 Recessed Spackle & Visible Flange Installation Instructions

Regressed Luminaires Use Same Instructions

FINELITE[®]
Better Lighting

Overview

NOTES

- If luminaire contains a sensor or socket refer to the appropriate Addendum.
- All power connections should be installed according to local/national codes by a Certified Electrician.
- This installation requires **proper support** as each luminaire is being installed.
- **DO NOT attempt to join luminaires together on the floor.** Damage may result when lifted.



HELPFUL
VIDEOS



Louver
Removal



Effortless
Access



Socket Removal
& Installation



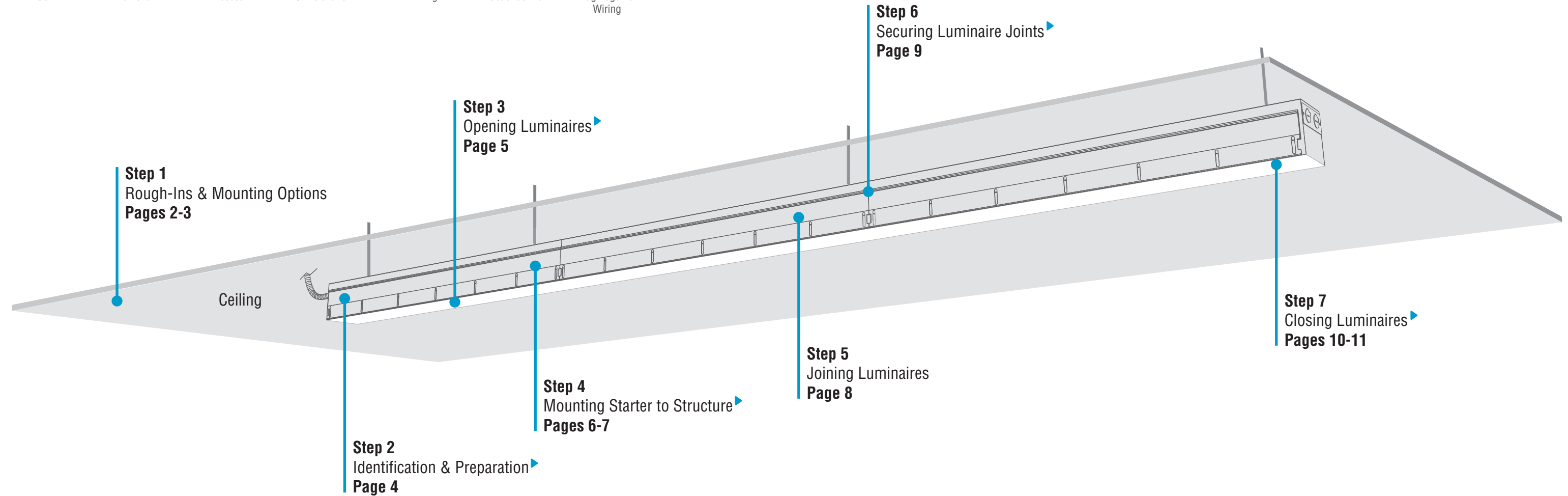
0-10V
Dimming



Universal &
Robust Joints



Simple
Plug-Together
Wiring



© 2021 FINELITE, INC. ALL RIGHTS RESERVED. Form - 98547_V9 EFFECTIVE DATE: 09/21

HP-2 / HP-4 / HP-6 Recessed Spackle & Visible Flange Installation Instructions

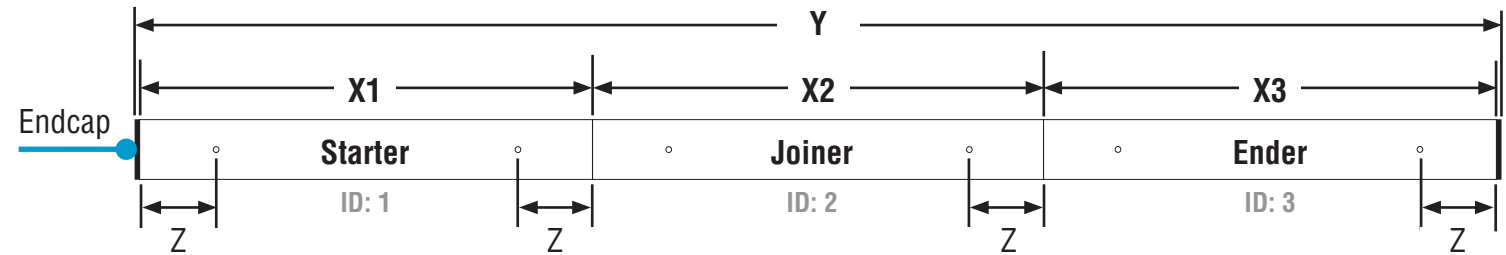
Step 1 - Rough-Ins & Mounting Options

Mount Starter to Structure

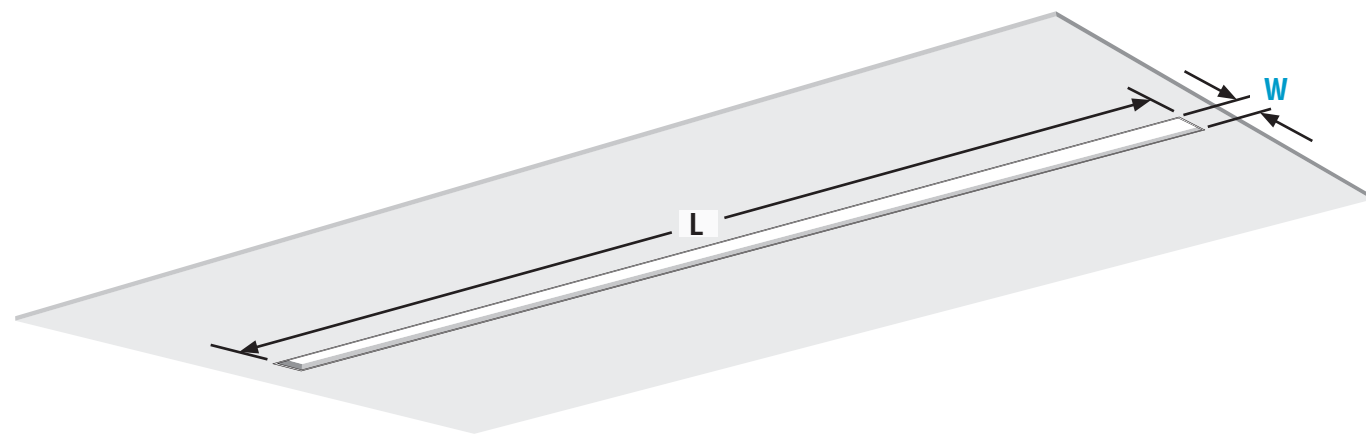
X = Luminaire section length (Does not include endcaps)
 Y = Total run length of luminaire (Includes 1/8" for BOTH endcaps)
 Z = Mounting hole location
 Endcap = 1/16"

| | Z = Mounting Hole Location (Does not include endcaps) |
|------|--|
| HP-2 | 5" |
| HP-4 | 6" |
| HP-6 | 6-1/2" |

Refer to Record Drawings and building plans to determine exact mounting, suspension points, and power feed locations.



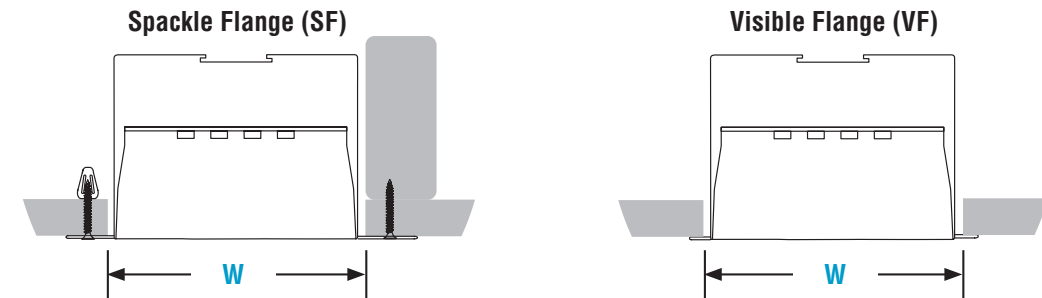
Rough-In Lengths



| | L = Total Run Rough-In Length* | |
|--------------------|--------------------------------|----------------|
| | Spackle Flange | Visible Flange |
| HP-2, HP-4, & HP-6 | Y + 3/4" | Y + 1/2" |

* Tolerance +/- 1/16"

Rough-In Widths



| | W = Rough-In Width* | |
|------|---------------------|----------------|
| | Spackle Flange | Visible Flange |
| HP-2 | 3-1/8" | 2-1/2" |
| HP-4 | 4-7/8" | 4-1/4" |
| HP-6 | 6-1/8" | 5-9/16" |

* Tolerance +/- 1/16"

- Use rough-in Length & Width dimensions and Record Drawings to determine rough-in measurements.
- Build wall/ceiling with rough-in according to rough-in dimensions.
- **CRITICAL:** Drywall or weak paneling must be secured to blocking (studs) around rough-in opening in the wall/ceiling.

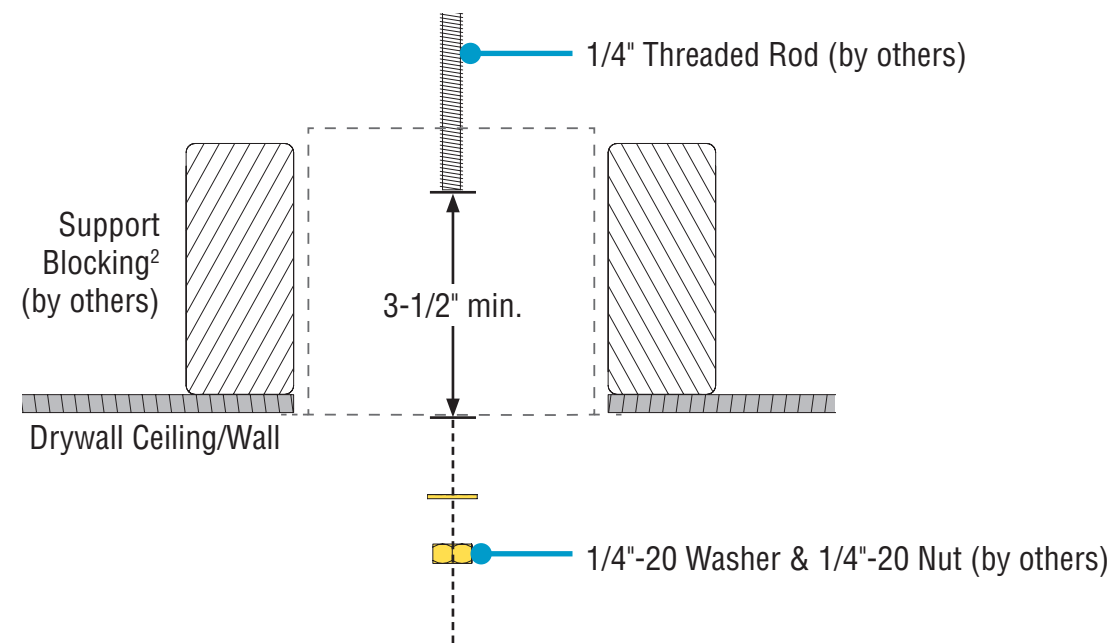
CONTINUED

HP-2 / HP-4 / HP-6 Recessed Spackle & Visible Flange Installation Instructions

Step 1 - Rough-Ins & Mounting Options

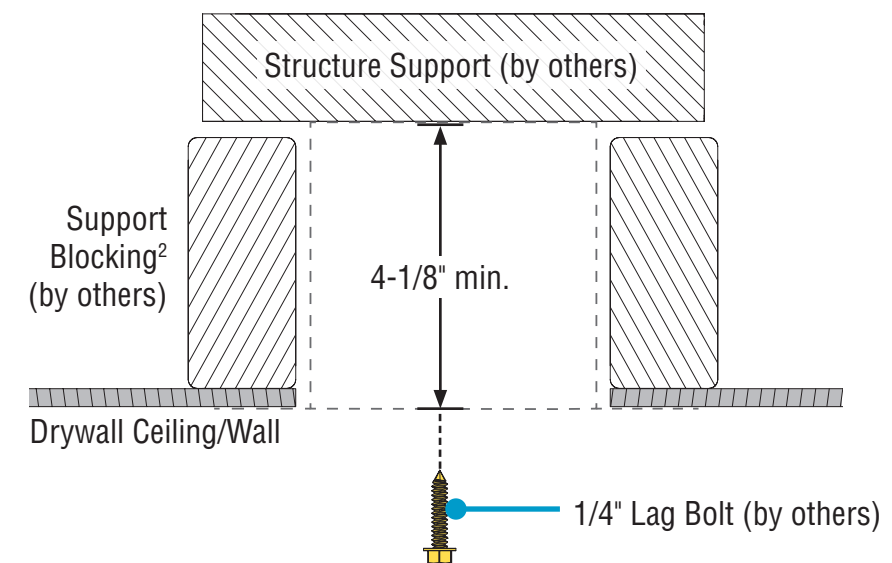
Mounting Options

Option 1 - Mount to Threaded Rod

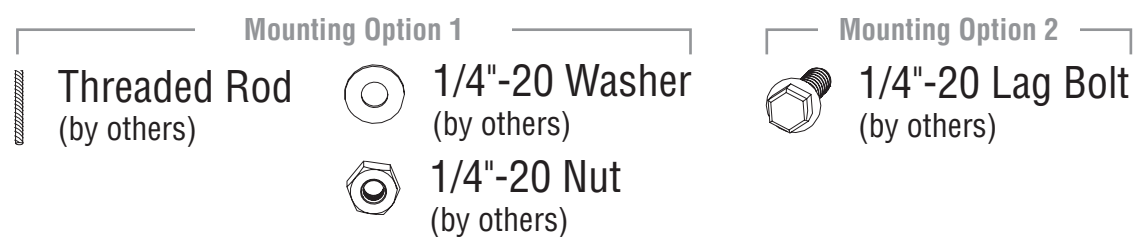


- Luminaire mounting holes sized for 1/4"-20 threaded rod.
- Distance from threaded rod to wall/ceiling surface¹ must be a minimum of 3-1/2".
- Refer to Record Drawings to determine mounting hole locations on luminaires and install threaded rods to structure.

Option 2 - Mount to Structure



- Distance from support block to wall/ceiling surface¹ must be a minimum of 4-1/8".
- Refer to Record Drawings to determine mounting hole locations on luminaires and install support blocking² to structure.



¹ Wall/ceiling surface = drywall, wood, concrete or masonry, metal panels, tile, etc.

² Support blocking = Wooden beams/studs, sheet metal framing beams, steel beams, concrete beams, etc. Use hardware appropriate to the beam material.

HP-2 / HP-4 / HP-6 Recessed Spackle & Visible Flange Installation Instructions

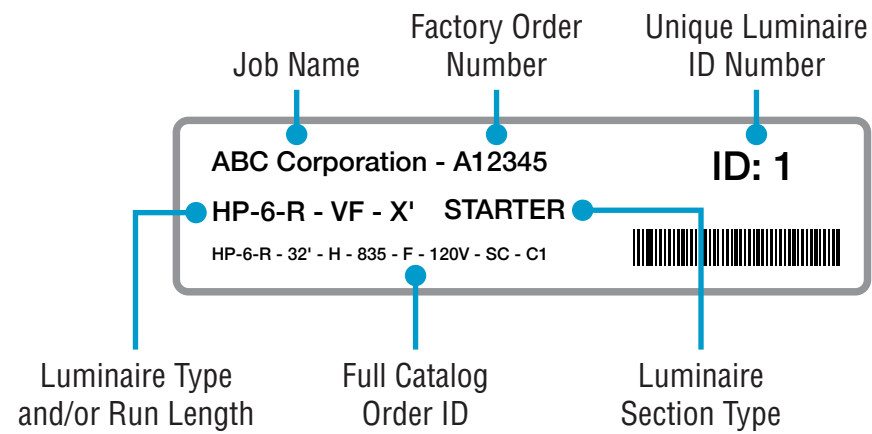
Step 2 - Identification & Preparation

A. Identify Luminaires



CAUTION

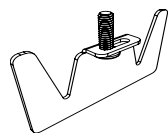
Arrange luminaires in order according to ID# at their install locations.



- Identify all luminaires by their ID label that can be found on the box, on the diffuser, and inside the luminaire.
- **NOTE:** Exact location of labels in these areas may vary.
- Remove all luminaires from their box.
- Refer to Record Drawings that can be found in the hardware kit.

Kitted Hardware

- Finelite has provided items listed here, with their Finelite part numbers. These items can be found in separate boxes shipped with the luminaire.
- Account for all parts and set aside until they are needed.
- All other hardware needed for this installation will be by others.



Yoke Bracket
Part# 45042

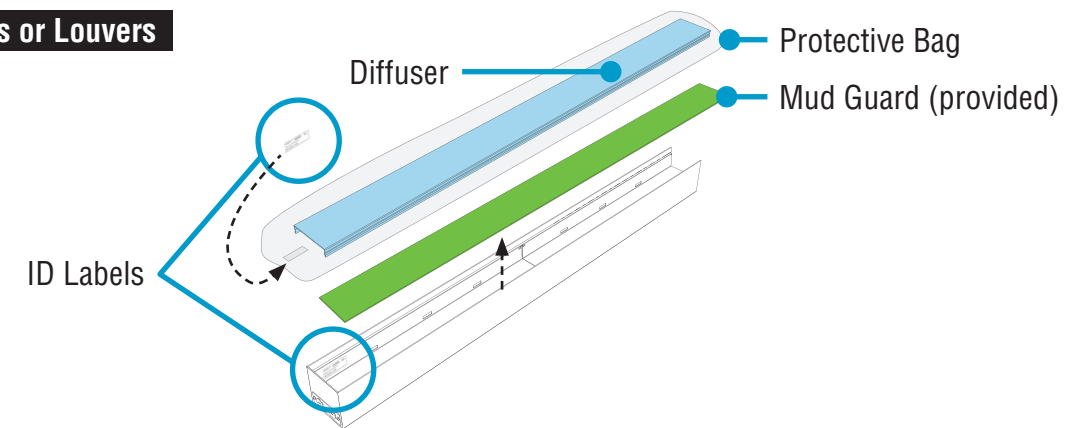
#10-32 x 5/8" Screw
Part# 94144
Securing Luminaire Joints
p. 9, Step 6



#8-18 x 1/4" Screws
Part# 69026
Mounting Starter to Structure
p. 6, Step 4

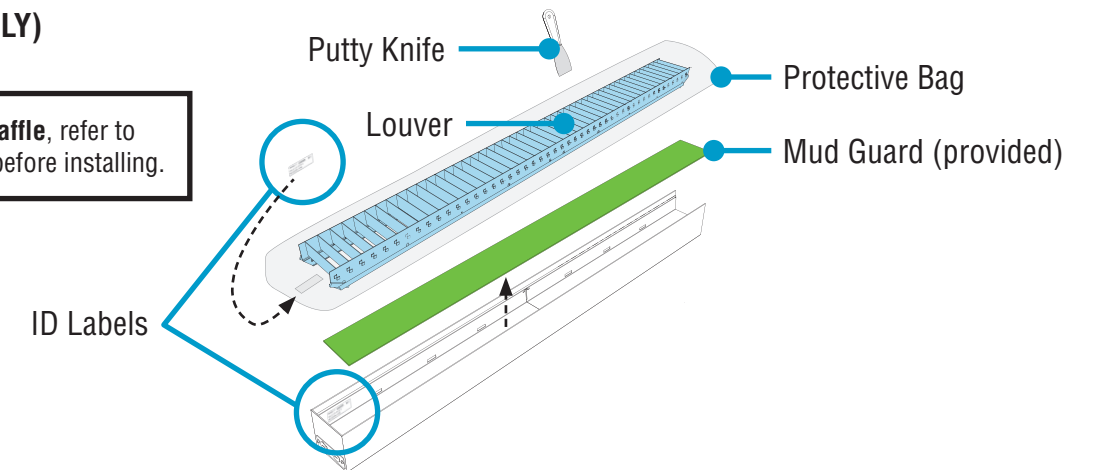
B. Remove Diffusers or Louvers

Remove Diffusers



Remove Louvers (HP-2 & HP-4 ONLY)

NOTE: For White Cross Blade Baffle, refer to Baffle Tether Addendum before installing.



- Carefully remove all diffusers or louvers, keeping them inside their protective bags.
- **FOR LOUVERS:** Release louvers by inserting the blade of a putty knife approximately 1" down behind louver edges and pry up.
- Set aside all diffusers or louvers to prevent from getting dirty or damaged.
- Ensure diffusers or louvers can be clearly identified back to their corresponding luminaire.
- **CAUTION (Spackle Flange Only):** Carefully remove "Mud Guards" and keep them as they will be reinstalled in Step 7, B.



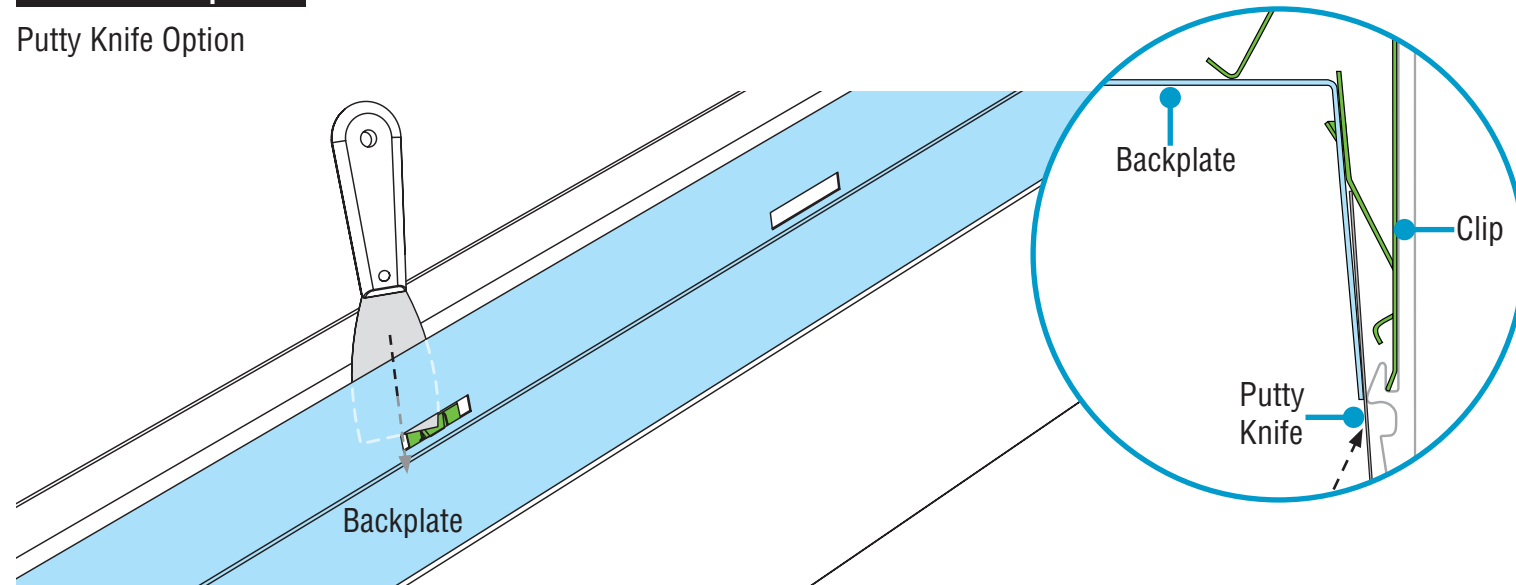
Louver Removal

HP-2 / HP-4 / HP-6 Recessed Spackle & Visible Flange Installation Instructions

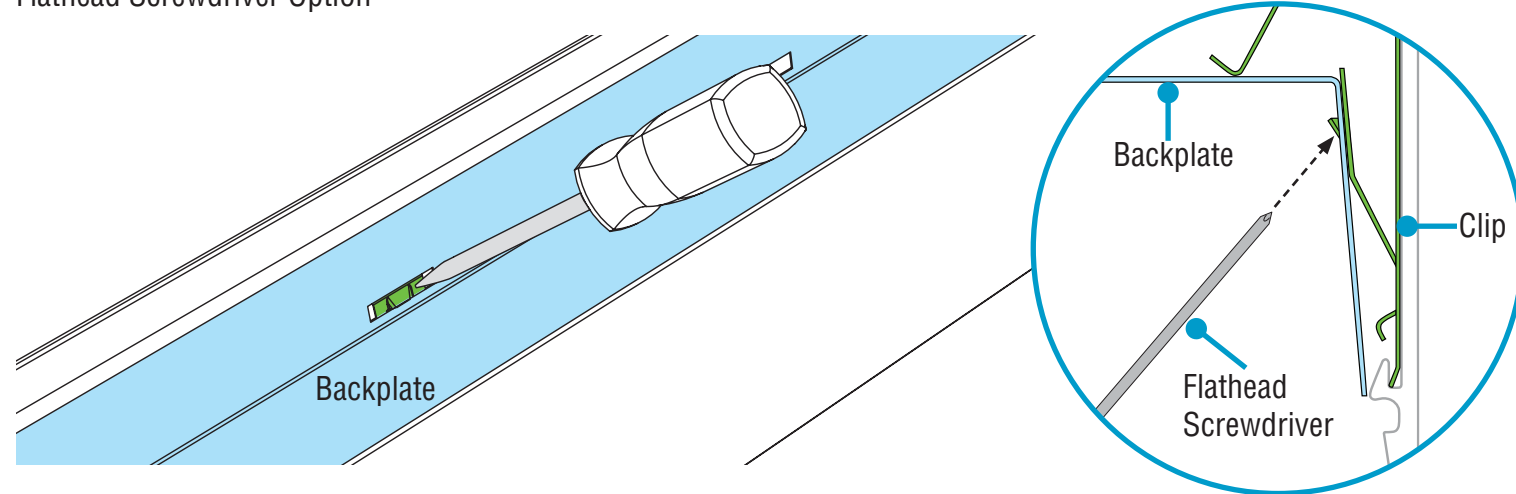
Step 3 - Opening Luminaires

Release Backplates

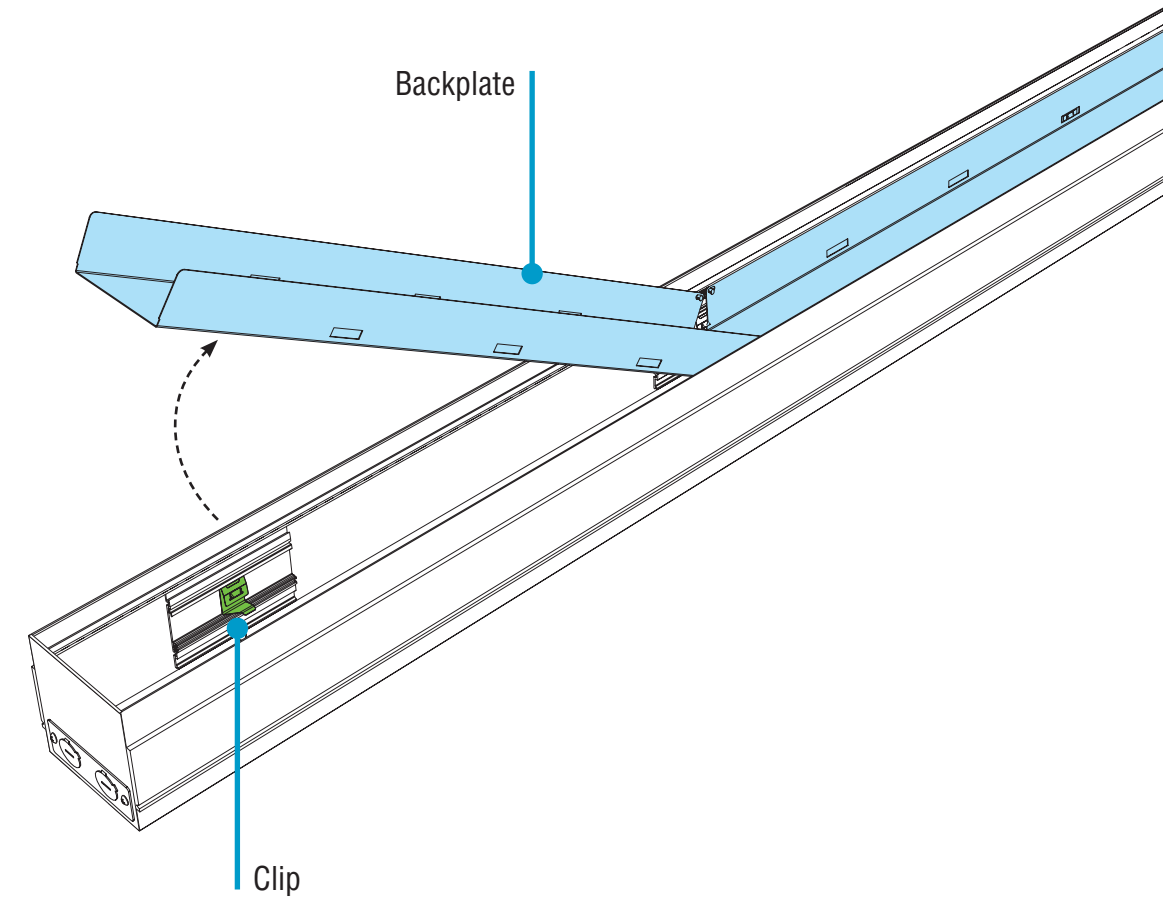
Putty Knife Option



Flathead Screwdriver Option



- Open all backplates for access to mounting points.
- Release the backplates from clips by sliding the blade of a putty knife behind backplate edges.
- To use a flathead screwdriver: From inside backplate, press end of screwdriver against the clip until the backplate is released.



- Carefully rotate backplates out and let them hang from luminaire body.

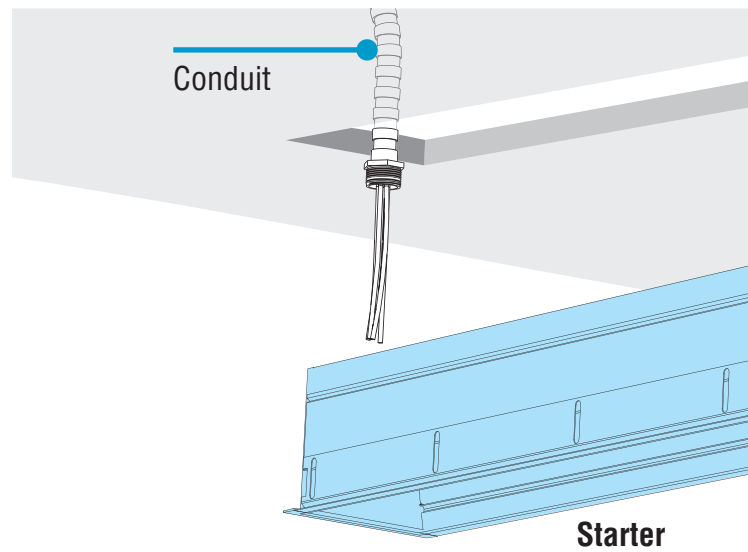


Effortless
Access

HP-2 / HP-4 / HP-6 Recessed Spackle & Visible Flange Installation Instructions

Step 4 - Mounting Starter to Structure

A. Make Electrical Connections

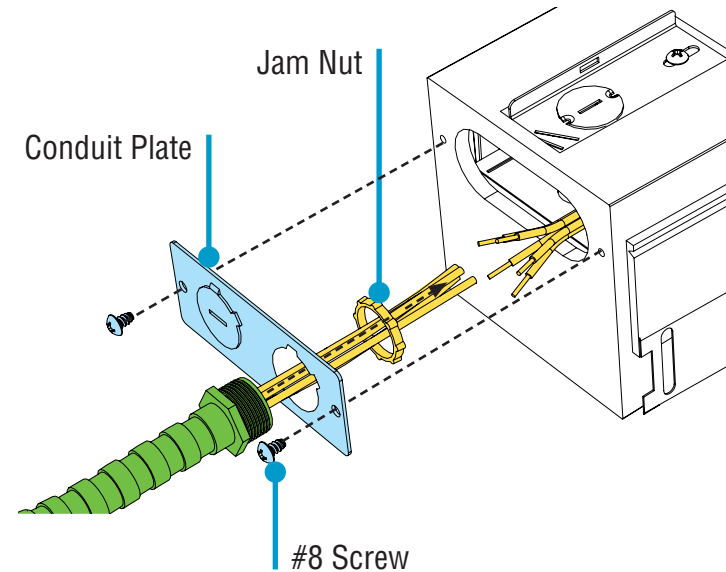


- **FOR SENSOR OR SOCKET:** If luminaire contains a sensor or socket at endcap, refer to page 2 of appropriate Addendum before Mounting Starter to Structure.
- While properly supporting luminaire, maneuver luminaire near wall/ceiling opening.
- Make electrical connections at **ENDCAP**, at **TOP** or with a **SPLICE BOX**.

Electrical Connection Options

WIRING LEGEND

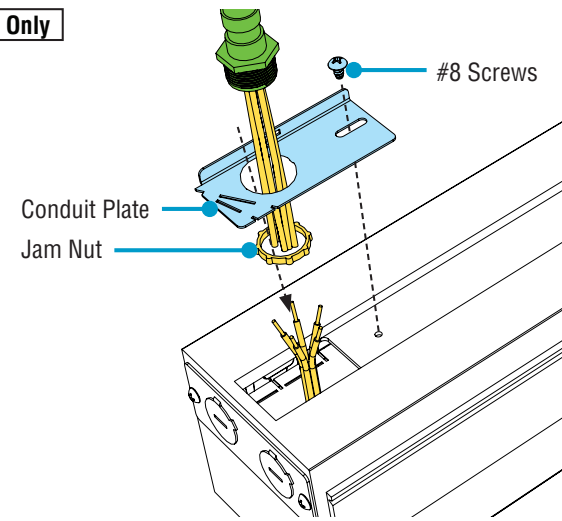
| | | |
|--------|---------|--------------|
| Black | Hot | Line Voltage |
| White | Neutral | Line Voltage |
| Green | Ground | |
| Pink | Dimming | 0-10V DC |
| Purple | Dimming | 0-10V DC |



CONDUIT PLATE - ENDCAP (Standard)

- Remove two screws holding conduit plate.
- Install conduit and jam nut onto conduit plate.
- Wire-nut electrical connections. See wiring legend above.
- Reinstall conduit plate and screws. Do not damage any wires.

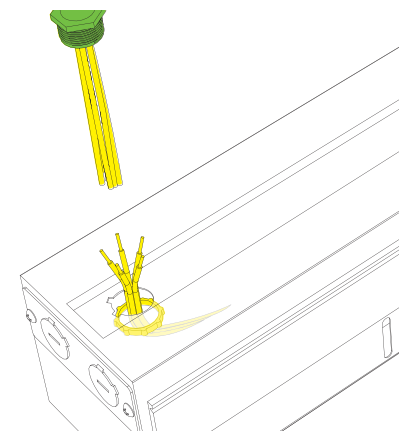
HP-4 Only



CONDUIT PLATE - TOP (Optional: HP-4 ONLY)

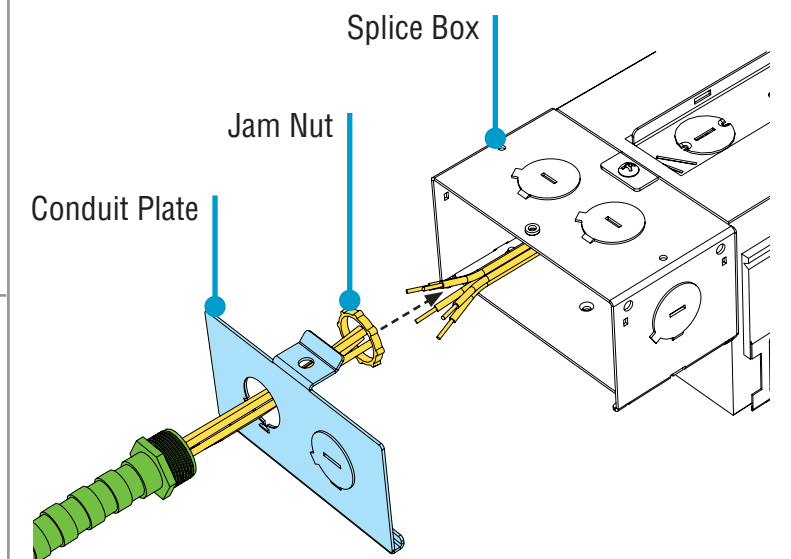
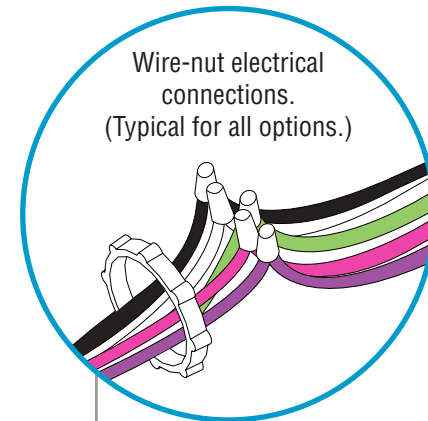
- Remove screw holding conduit plate.
- Install conduit and nut onto conduit plate.
- Wire-nut electrical connections. See wiring legend above.
- Reinstall conduit plate and screw. Do not damage any wires.

HP-2 & HP-6 Only



CONDUIT KO - TOP (Optional: HP-2, HP-6 ONLY)

- Install conduit and nut onto KO.
- Wire-nut electrical connections. See wiring legend above.



SPLICE BOX (Optional)

- Lift tab to unsnap and remove splice box cover.
- Install conduit and nut onto splice box cover.
- Wire-nut electrical connections. See wiring legend above.
- Reinstall splice box cover. Do not damage any wires.



Socket Removal
& Installation

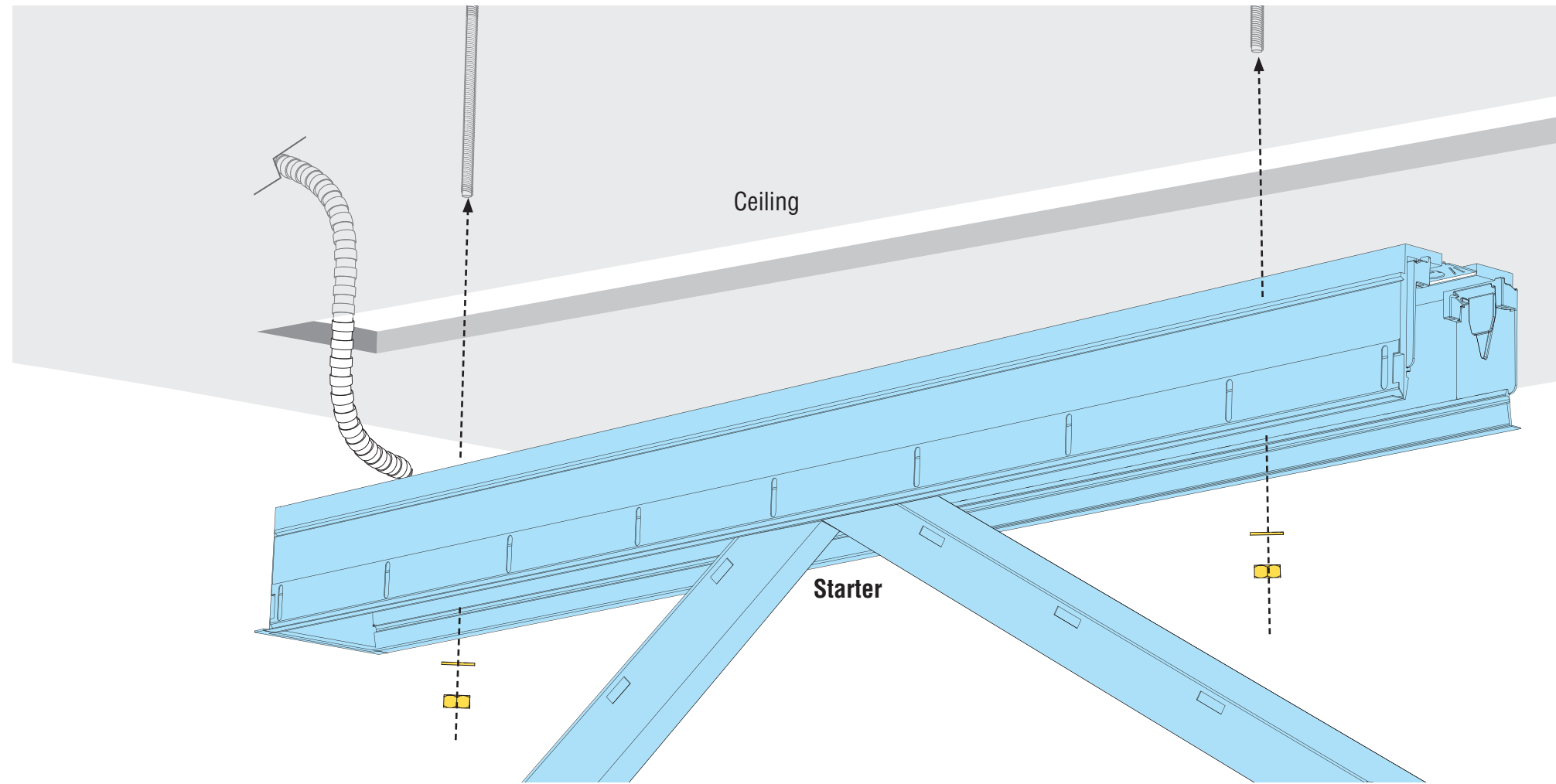


0-10V
Dimming

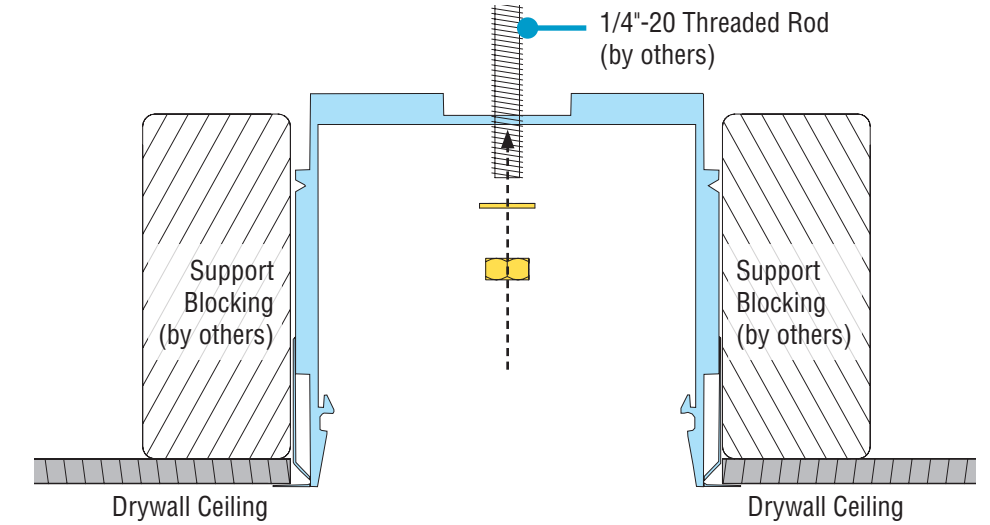
HP-2 / HP-4 / HP-6 Recessed Spackle & Visible Flange Installation Instructions

Step 4 - Mounting Starter to Structure

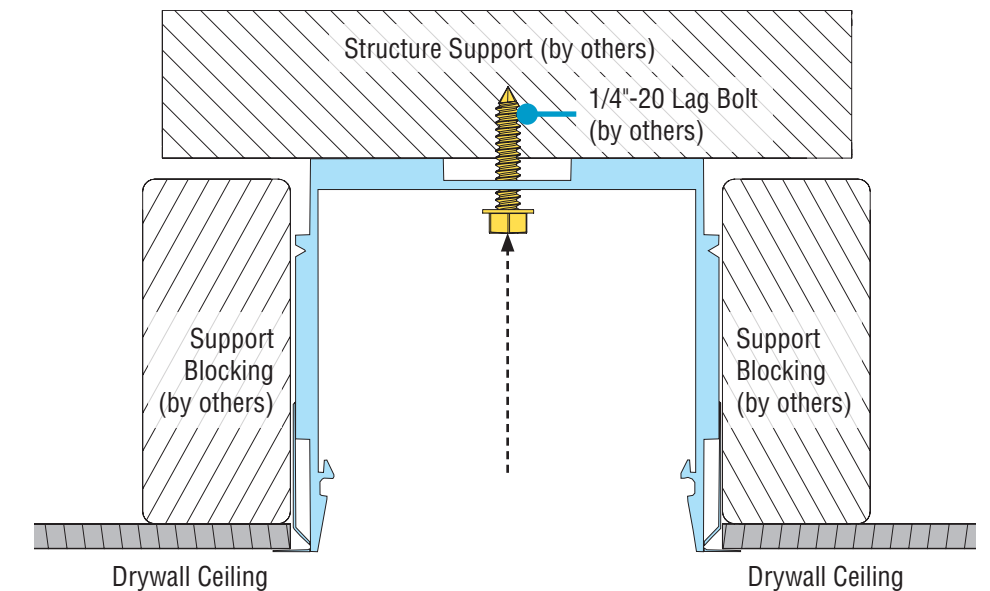
B. Mount Starter to Structure



Option 1 (Shown) - Mount to Threaded Rod



Option 2 - Mount to Structure

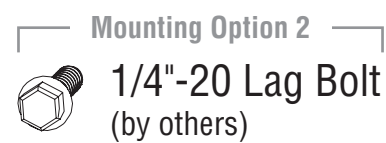
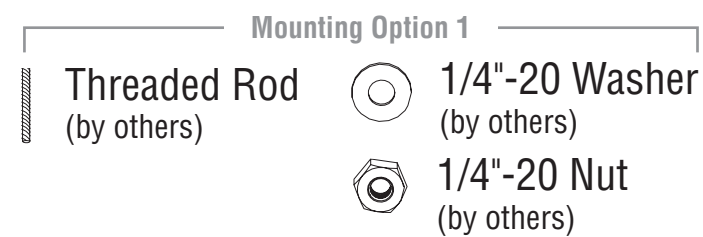


Option 1 (Shown) - Mount to Threaded Rod

- Align threaded rods with mounting holes and slide luminaire into wall/ceiling.
- Install 1/4"-20 nut and 1/4"-20 washer onto 1/4"-20 threaded rod.
- **CRITICAL:** If installing a joiner luminaire in the next step, leave the nut loose, allowing the luminaire to hang out of ceiling at an angle.
- If there is no joiner/ender, then tighten nuts fully. **PROCEED TO STEP 7.**

Option 2 - Mount to Structure

- Slide luminaire into wall/ceiling and mount to structure support with hardware appropriate for the structure type.
- **CRITICAL:** If installing a joiner luminaire in the next step, leave the bolt/screw loose, allowing luminaire to hang out of ceiling at an angle.
- If there is no joiner/ender, then tighten nuts fully. **PROCEED TO STEP 7.**



HP-2 / HP-4 / HP-6 Recessed Spackle & Visible Flange Installation Instructions

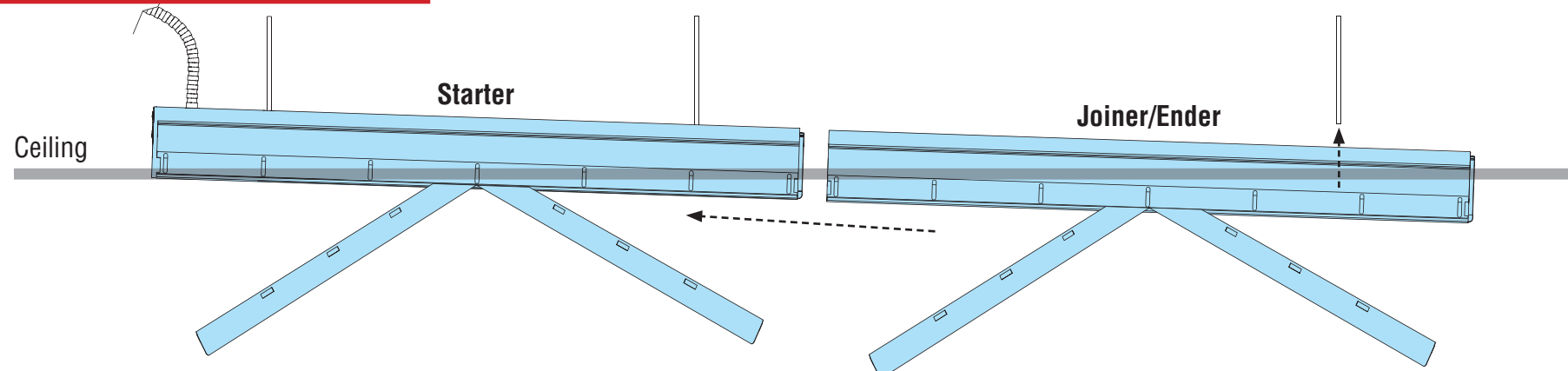
Step 5 - Joining Luminaires

A. Mount Joiner/Ender to Structure

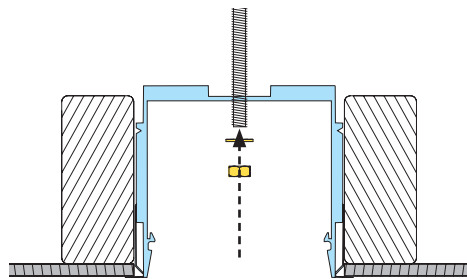


CAUTION

DO NOT attempt to join luminaires together on the floor. Damage may result when lifted. Follow these instructions.

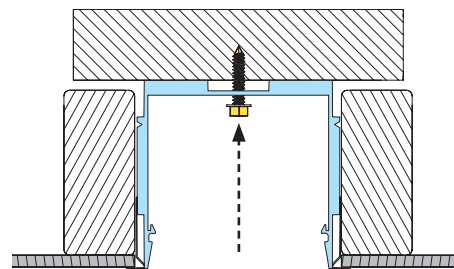


- **FOR SENSOR OR SOCKET:** If luminaire contains a sensor or socket at joint, refer to page 4 of appropriate Addendum before joining luminaires.
- While properly supporting luminaire, maneuver luminaire near wall/ceiling opening.
- If necessary, loosen bolts on previous luminaire so that it can hang out of the opening at an angle.
- After installing a joiner, return to previous luminaire and tighten.



Option 1 (Shown) - Mount to Threaded Rod

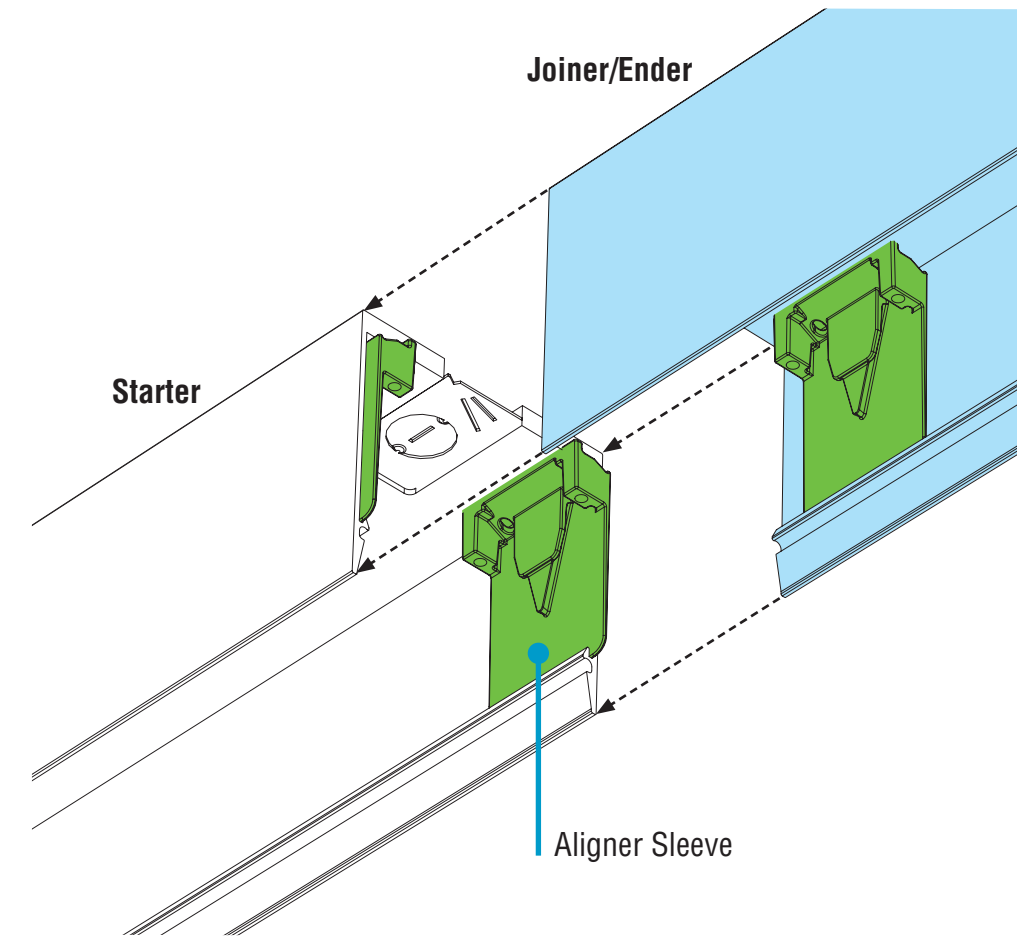
- Align threaded rods with mounting holes and slide luminaire into wall/ceiling.
- Install 1/4"-20 nut and 1/4"-20 washer onto 1/4"-20 threaded rod.
- **CRITICAL:** If installing a joiner luminaire in the next step, leave the nut loose, allowing the luminaire to hang out of ceiling at an angle.
- If there is no joiner/ender, then tighten nuts fully.



Option 2 - Mount to Structure

- Slide luminaire into wall/ceiling and mount to structure support with hardware appropriate for the structure type.
- **CRITICAL:** If installing a joiner luminaire in the next step, leave the bolt/screw loose, allowing luminaire to hang out of ceiling at an angle.
- If there is no joiner/ender, then tighten nuts fully.

B. Join Luminaires



- Align joiner/ender with aligner sleeves on starter and slide together. Be careful not to damage any wiring.
- If necessary, **lift** both luminaires, then slide together.

Mounting Option 1

- Threaded Rod (by others)
- 1/4"-20 Washer (by others)
- 1/4"-20 Nut (by others)

Mounting Option 2

- 1/4"-20 Lag Bolt (by others)

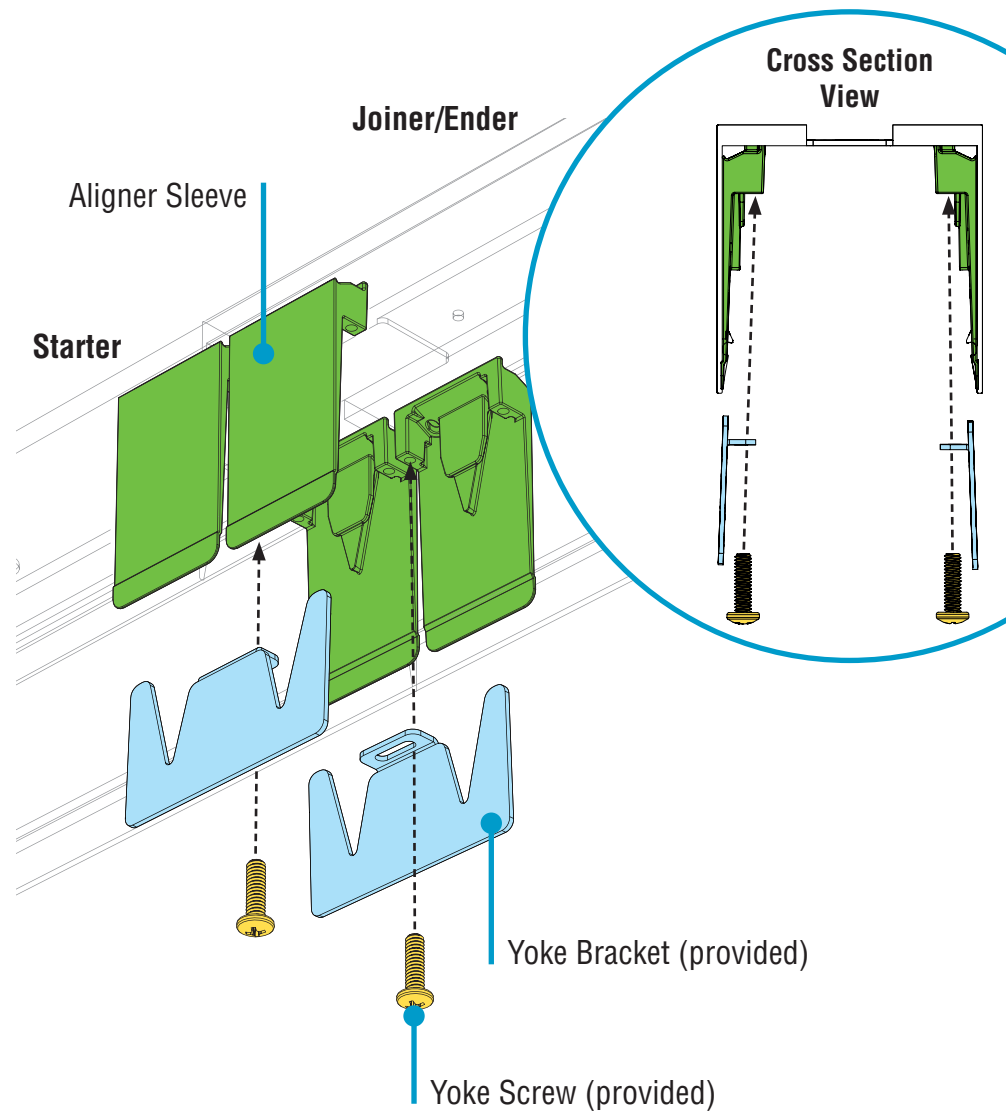


Socket Removal & Installation

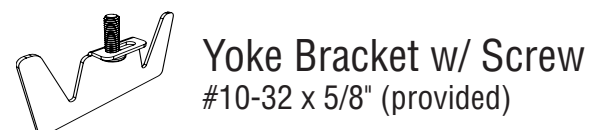
HP-2 / HP-4 / HP-6 Recessed Spackle & Visible Flange Installation Instructions

Step 6 - Securing Luminaire Joints

A. Secure Joint with Yoke Brackets

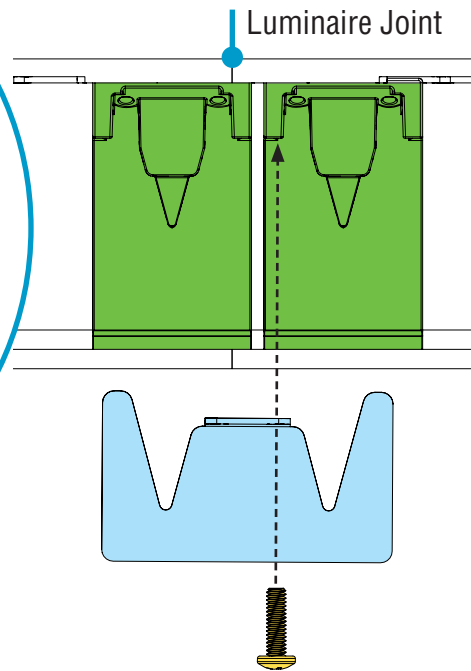


- Before installing yoke brackets, ensure the joining ends of luminaires meet flush and square.
- **CRITICAL:** Ensure yoke brackets properly engage with aligner sleeves.
- Secure joint by using a screwdriver¹ to tighten yoke screws through yoke brackets and into the aligner sleeves until joint seam of luminaire is closed.

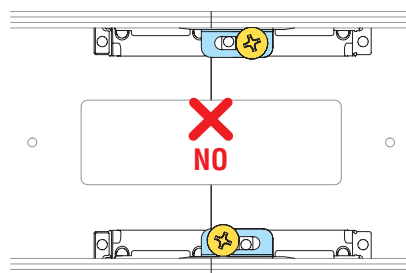


¹ Screwdriver with 6" bit required.

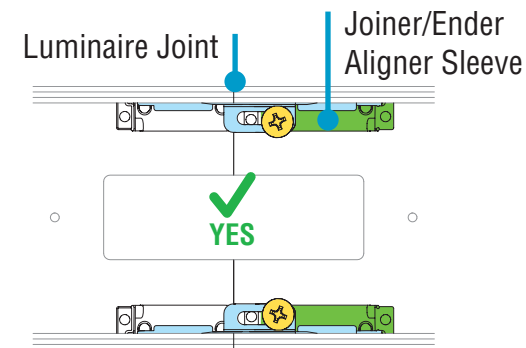
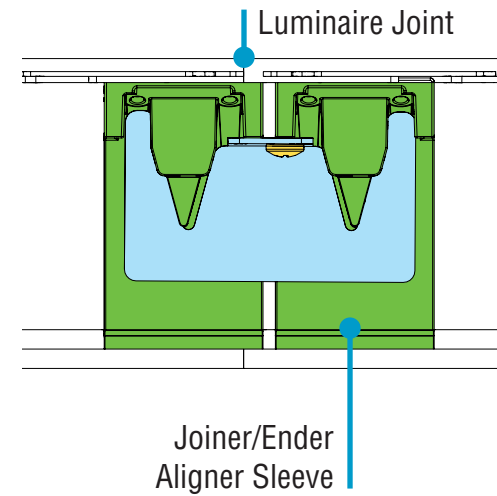
IN ALIGNMENT



YOKE SCREW ALIGNMENT Bottom-Up View

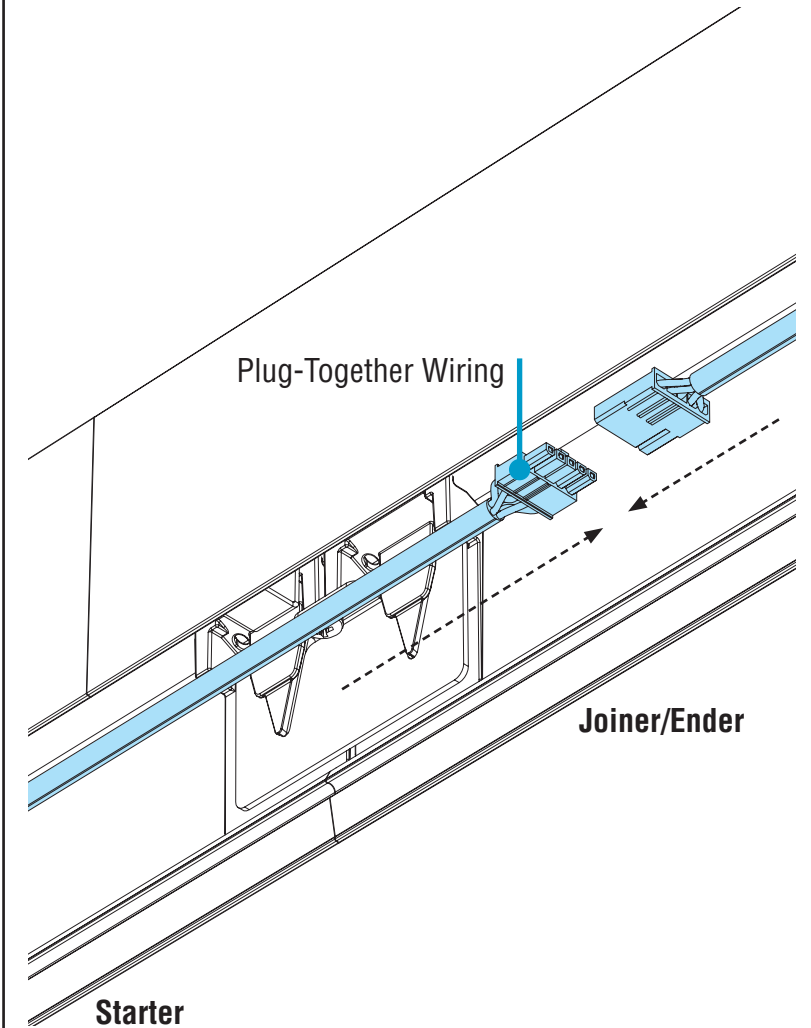


CORRECTLY INSTALLED



NOTE: Yoke screws should be installed directly across from each other, not diagonally, and in holes furthest from the joint line. One yoke screw per one yoke bracket.

B. Make Electrical Connections



- Connect plug-together wiring.



Universal & Robust Joints

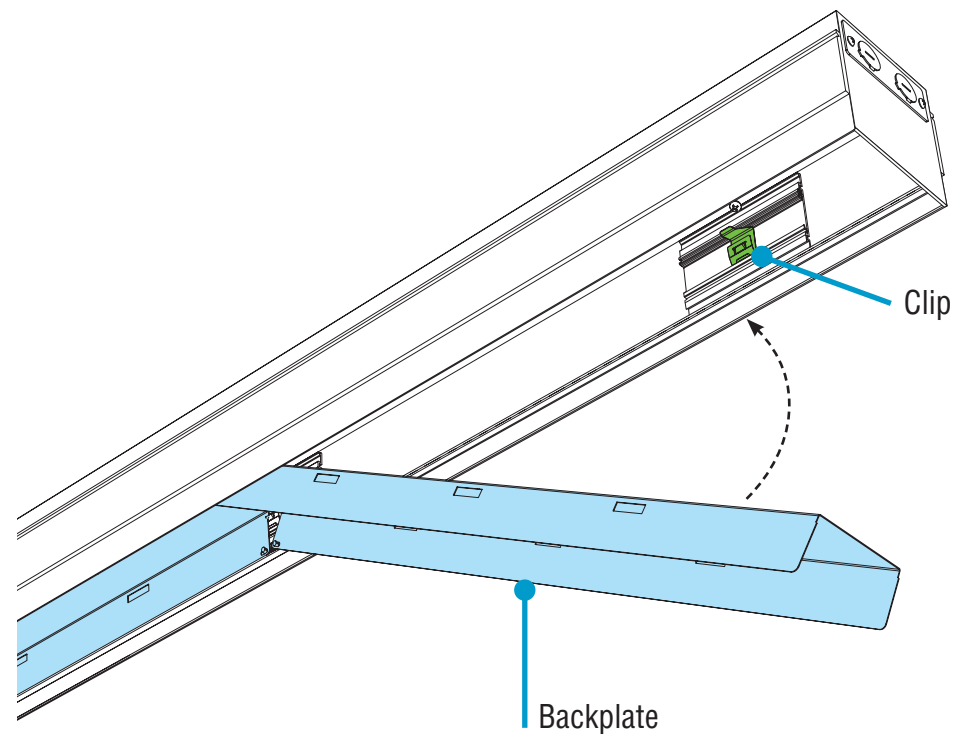


Simple Plug-Together Wiring

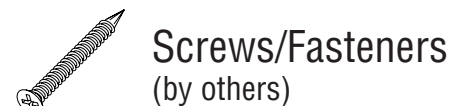
HP-2 / HP-4 / HP-6 Recessed Spackle & Visible Flange Installation Instructions

Step 7 - Closing Luminaires

A. Close All Backplates

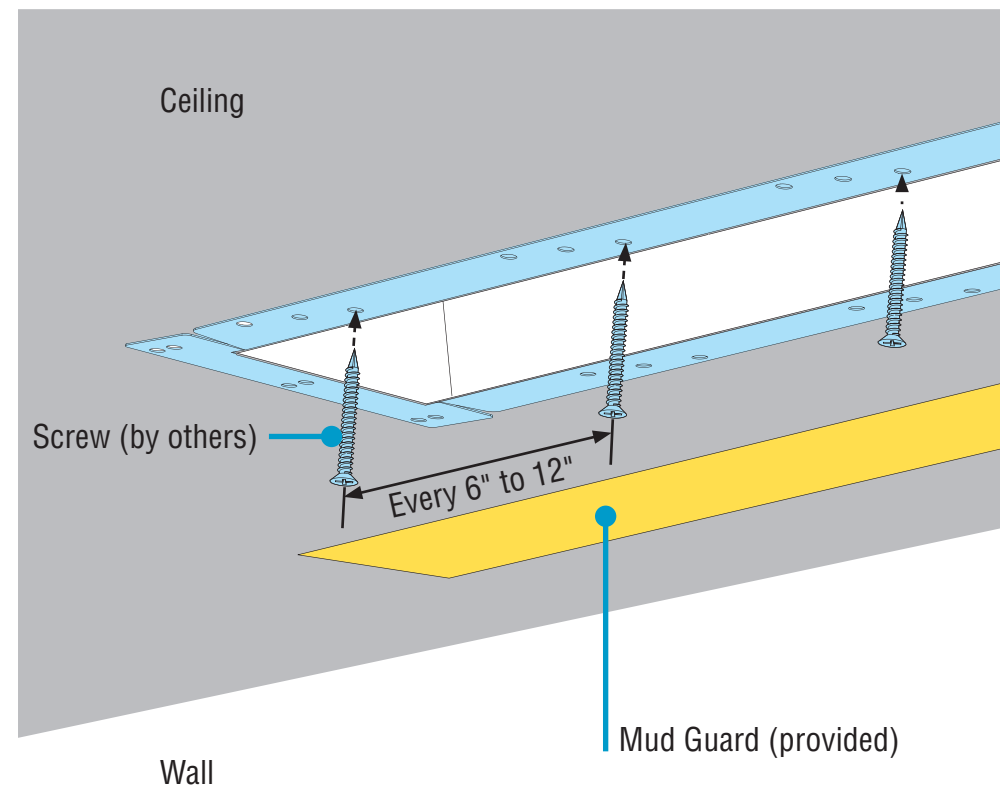


- **FOR SENSOR OR SOCKET:** If luminaire contains a sensor or socket at endcap, refer to page 3 of appropriate Addendum. If luminaire contains a sensor or socket at joint, refer to page 5 of appropriate Addendum.
- Reinstall **all** backplates by snapping into clips.



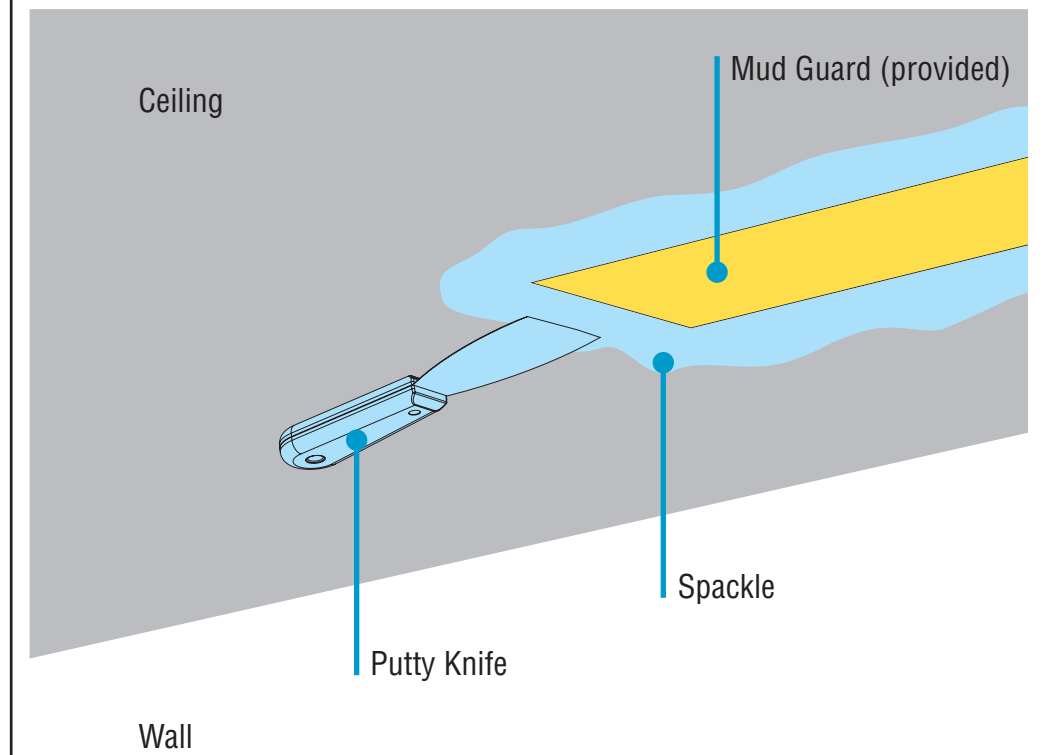
¹ Screws or fasteners: drywall - drywall screws, wood - wood screws, etc.

B. Secure Flange To Structure **Spackle Flange Only**



- Secure flanges to wall/ceiling using appropriate screws or fasteners¹ for hard surface, per local building codes.
- Install the "mud guard" cardboard inserts to help prevent spackle and paint from getting into the luminaire.

C. Apply Spackle **Spackle Flange Only**



- Spackle and paint over flanges up to luminaire edge.
- **CAUTION:** Careful not to drop spackle into luminaire. Immediately wipe off excess spackle that may have gotten onto luminaire edges.
- Perform all spackling and painting to walls and ceiling prior to removing "mud guards."
- Remove all mud guards.

CONTINUED



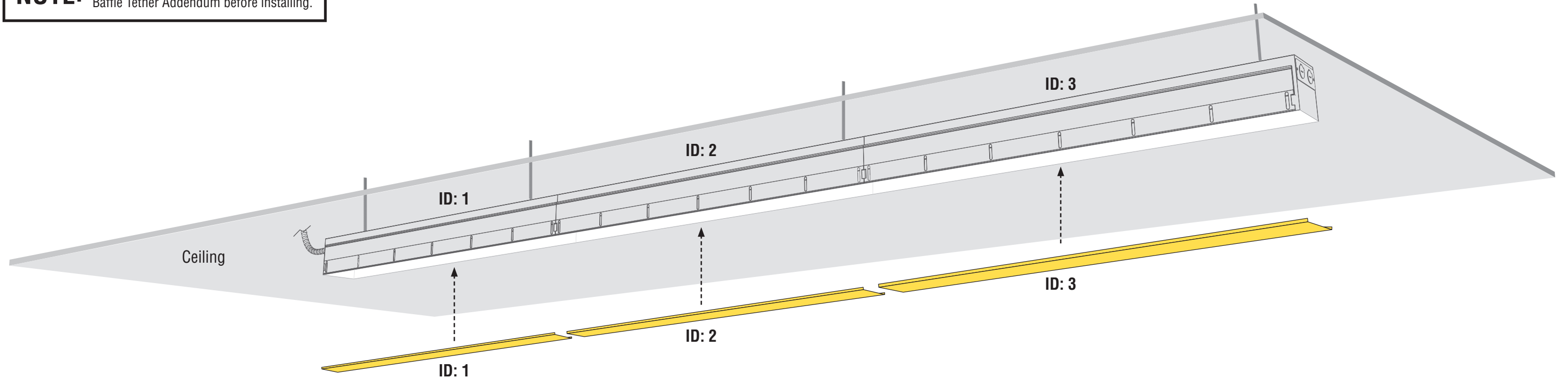
Socket Removal
& Installation

HP-2 / HP-4 / HP-6 Recessed Spackle & Visible Flange Installation Instructions

Step 7 - Closing Luminaires

D. Final Step - Replace Diffusers or Louvers

NOTE: For White Cross Blade Baffle, refer to Baffle Tether Addendum before installing.



- **NOTE:** If your installation includes a battery backup, please see addendum (98333) that should be included with your kitting package.
- Remove diffusers or louvers from protective plastic bag.
- **CAUTION:** Wear gloves to keep diffuser or louver surface clean.
- **CRITICAL:** Be sure to install correct diffuser or louver to its corresponding luminaire ID.
- **NOTE:** For White Cross Blade Baffle, refer to Baffle Tether Addendum before installing.
- Install diffusers or louvers into luminaire body, ensuring they snap into place.
- Turn power on to luminaire.