

# H04 Recessed Spackle & Visible Flange Installation Instructions

## Overview

### NOTES

- Ensure that reflectors do not get dirty or damaged.
- If luminaire contains a sensor refer to the Sensor Addendum.
- All power connections should be installed according to local/national codes by a Certified Electrician.
- This installation requires **proper support** as each luminaire is being installed.
- **DO NOT attempt to join luminaires together on the floor.** Damage may result when lifted.



HELPFUL  
VIDEOS



Effortless  
Access



0-10V  
Dimming



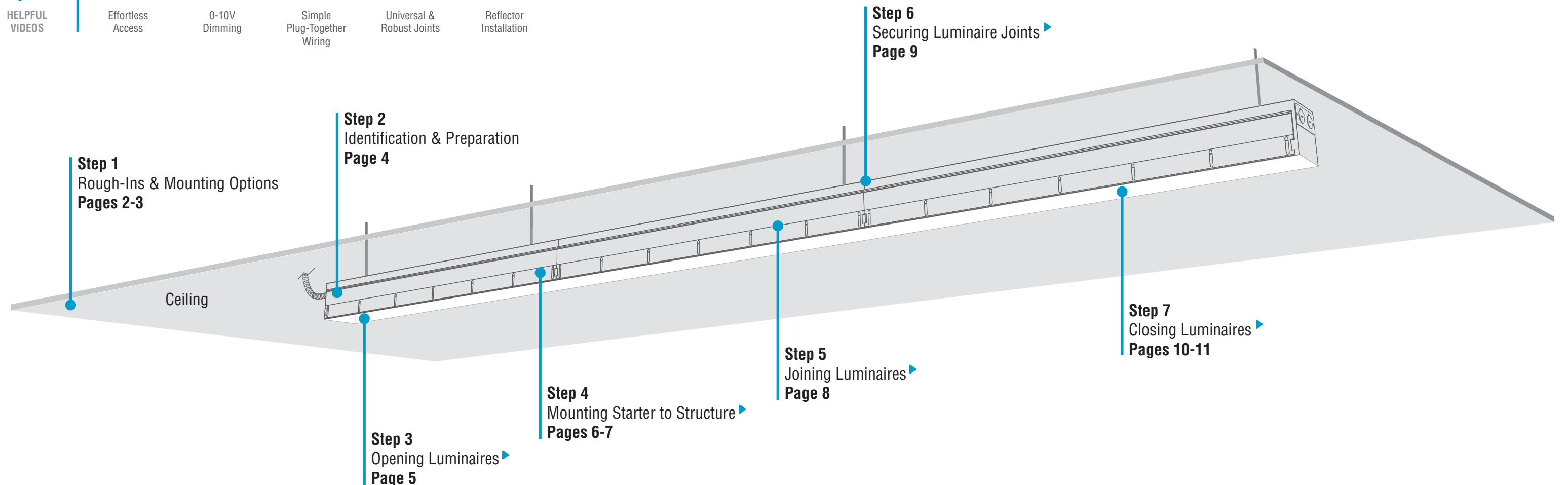
Simple  
Plug-Together  
Wiring



Universal &  
Robust Joints



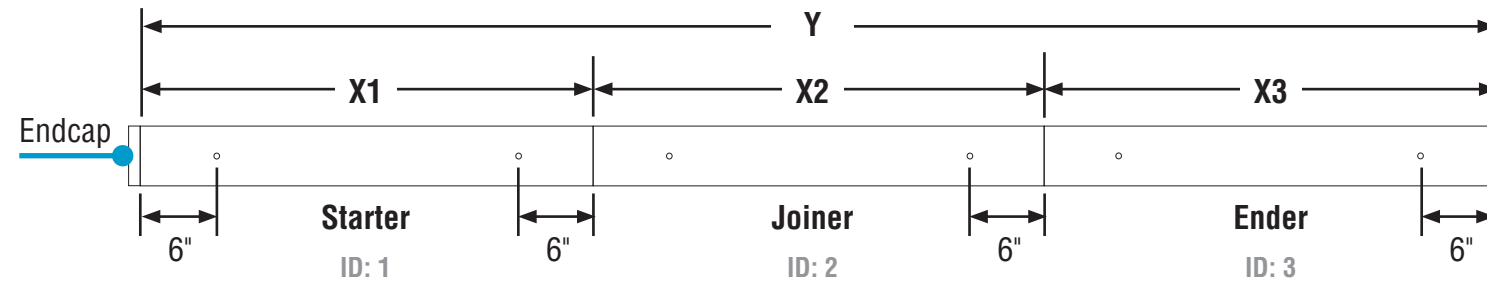
Reflector  
Installation



# H04 Recessed Spackle & Visible Flange Installation Instructions

## Step 1 - Rough-Ins & Mounting Options

### Total Run Length



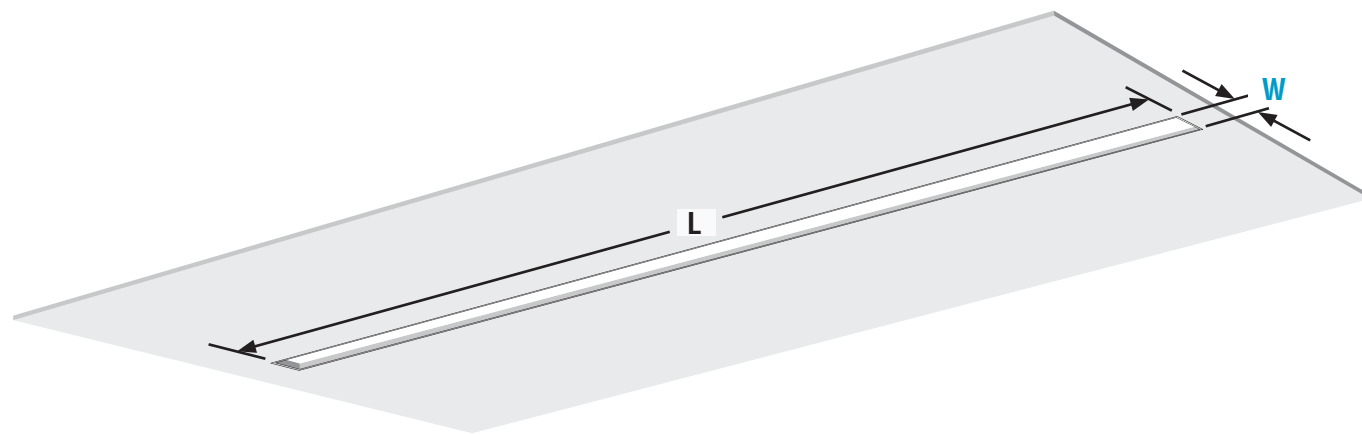
$X$  = Luminaire section length

$Y = X1 + X2 + X3$

( $X$  and  $Y$  measurements **do not include** endcaps)

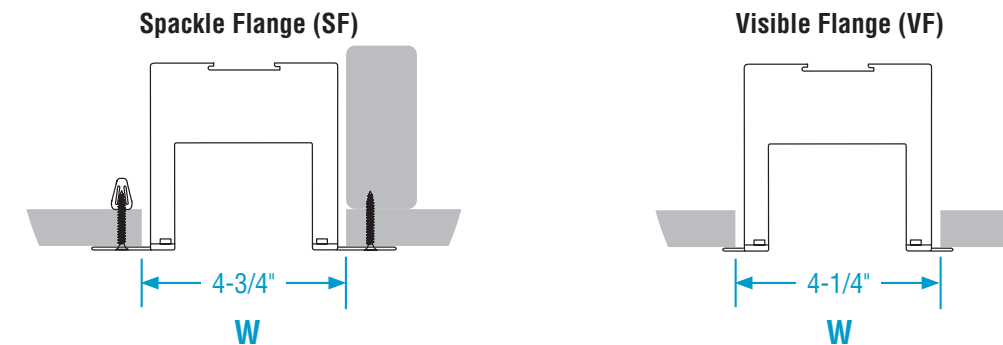
Refer to Record Drawings and building plans to determine luminaire locations, exact wall/ceiling rough-in dimensions, luminaire mounting hole locations and power feed locations.

### Rough-In Lengths



L = Total Run Rough-In Length			
Spackle Flange		Visible Flange	
Min.	Max.	Min.	Max.
$Y + 1"$	$Y + 1-3/8"$	$Y + 5/8"$	$Y + 3/4"$

### Rough-In Widths



W = Rough-In Width			
Spackle Flange		Visible Flange	
Minimum	Maximum	Minimum	Maximum
4-5/8"	5"	4-1/2"	4-5/8"

- Use rough-in dimension table and Record Drawings to determine rough-in measurements.
- Build the wall/ceiling with rough-in according to rough-in dimensions.
- **CRITICAL:** Drywall or weak paneling must be secured to support blocking (studs) around rough-in opening in the wall/ceiling.
- Install electrical conduit to feed locations.

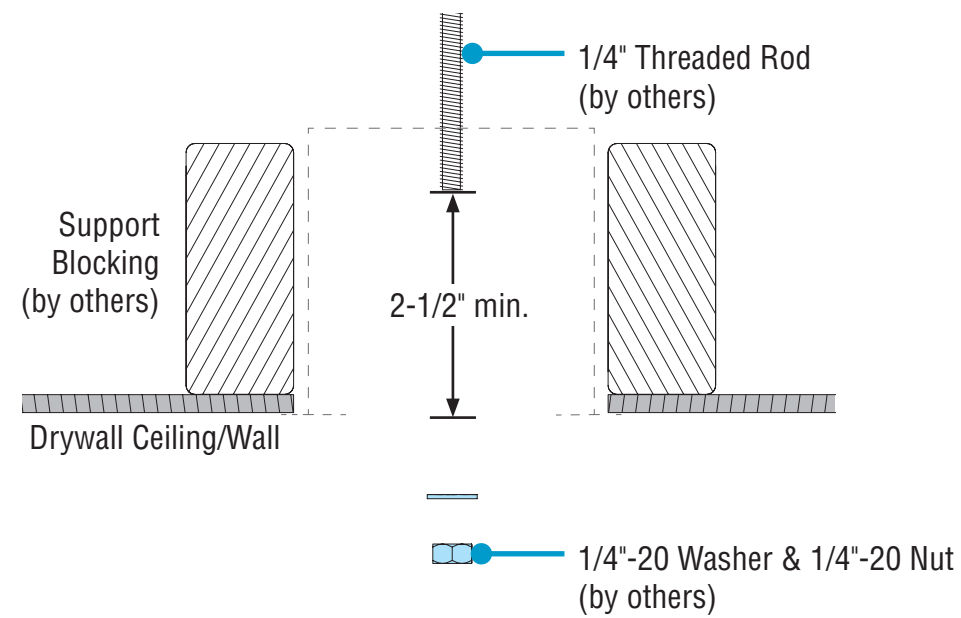
CONTINUED

# H04 Recessed Spackle & Visible Flange Installation Instructions

## Step 1 - Rough-Ins & Mounting Options

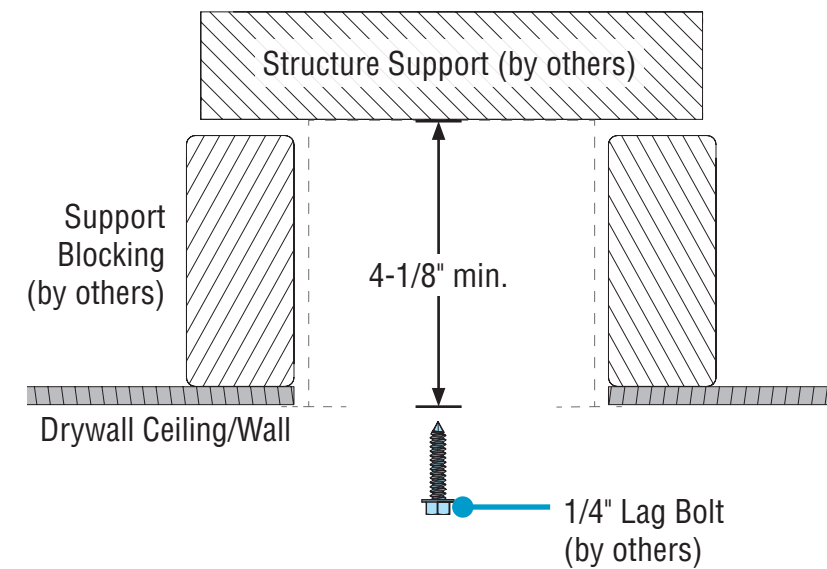
### Mounting Options

#### Option 1 - Mount to Threaded Rod

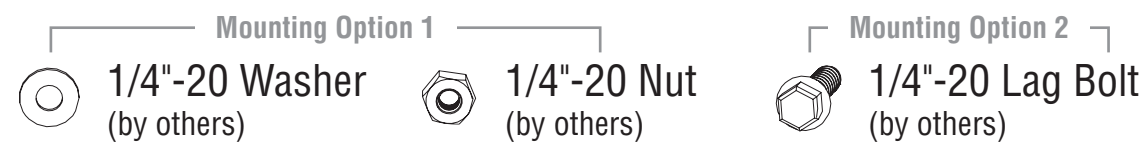


- Luminaire mounting holes sized for 1/4"-20 threaded rod (by others).
- Refer to Record Drawings to determine mounting hole locations on luminaires and install threaded rods to structure.
- Distance from threaded rod to wall/ceiling surface must be a minimum of 3-1/2"<sup>1</sup>.

#### Option 2 - Mount to Structure



- Refer to Record Drawings to determine mounting hole locations on luminaires and install support blocking<sup>2</sup> to structure.
- Distance from support block to wall/ceiling surface must be a minimum of 4-1/8"<sup>1</sup>.



<sup>1</sup> Wall/ceiling surface = drywall, wood, concrete or masonry, metal panels, tile, etc.

<sup>2</sup> Support blocking = Wooden beams/studs, sheet metal framing beams, steel beams, concrete beams, etc. Use hardware appropriate to the beam material.

# H04 Recessed Spackle & Visible Flange Installation Instructions

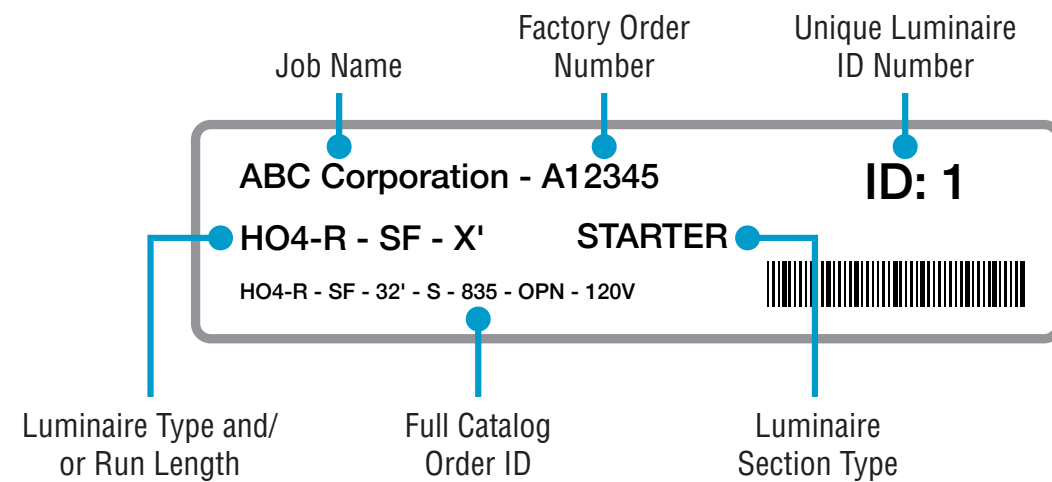
## Step 2 - Identification & Preparation

### A. Identify Luminaires



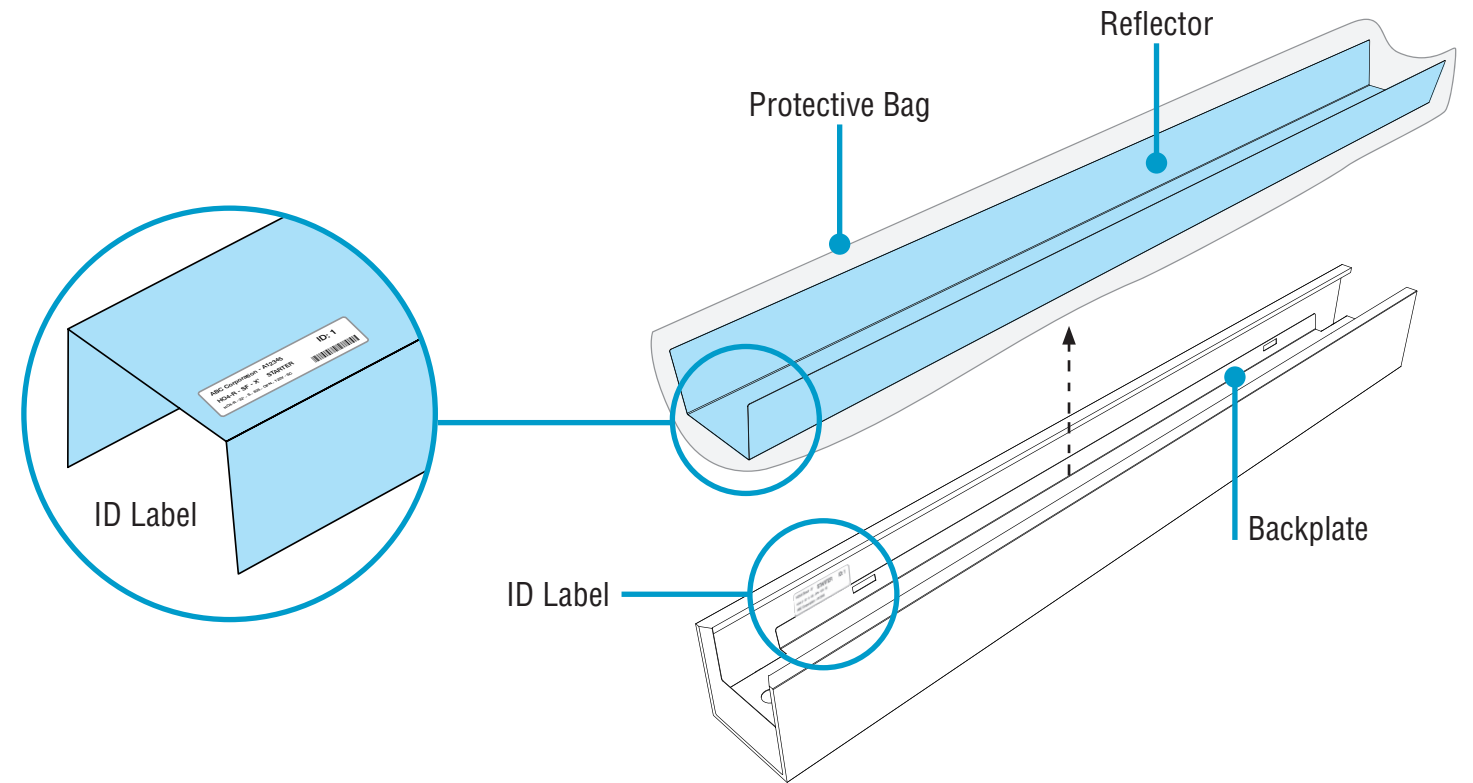
**CAUTION**

Arrange luminaires in order according to ID# at their install locations.



- Identify all luminaires by their ID label that can be found on the box, the reflector, and inside the luminaire.
- Remove all luminaires from their box.
- **NOTE:** Exact location of labels in these areas may vary.

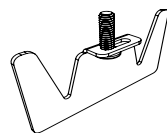
### B. Remove Reflectors Top-Down View



- Carefully remove all reflectors, keeping them inside their protective bags.
- Set aside all reflectors to prevent from getting dirty or damaged.
- Ensure reflectors can be clearly identified back to its corresponding luminaire.

### Kitted Hardware

- Finelite has provided items listed here, with their Finelite part numbers. These items can be found in separate boxes shipped with the luminaire.
- Account for all parts and set aside until they are needed.
- All other hardware needed for this installation will be by others.



#### Yoke Bracket

Part# 45042

**#10-32 x 5/8" Screw**

Part# 94144

Securing Luminaire Joints

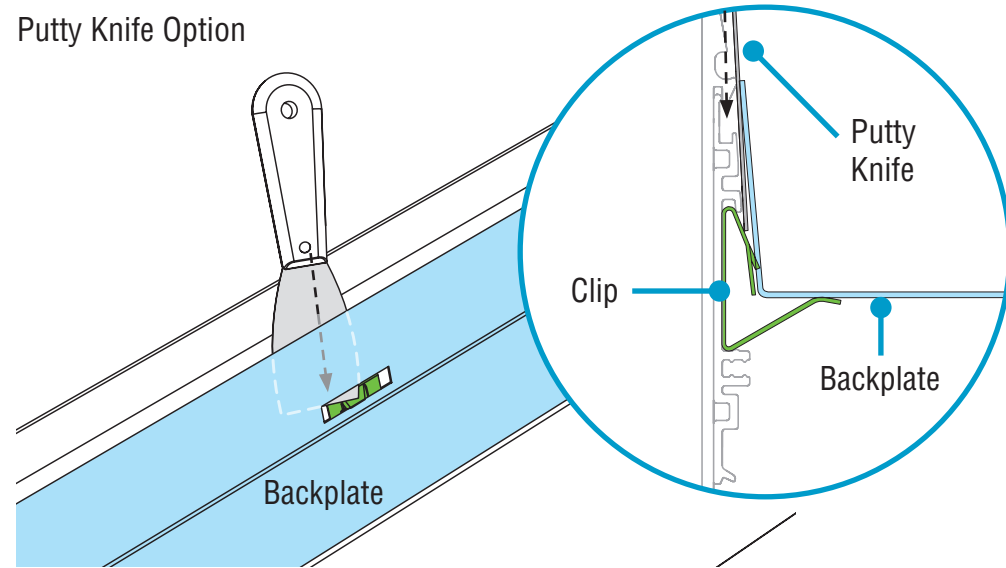
p. 9, Step 6

# H04 Recessed Spackle & Visible Flange Installation Instructions

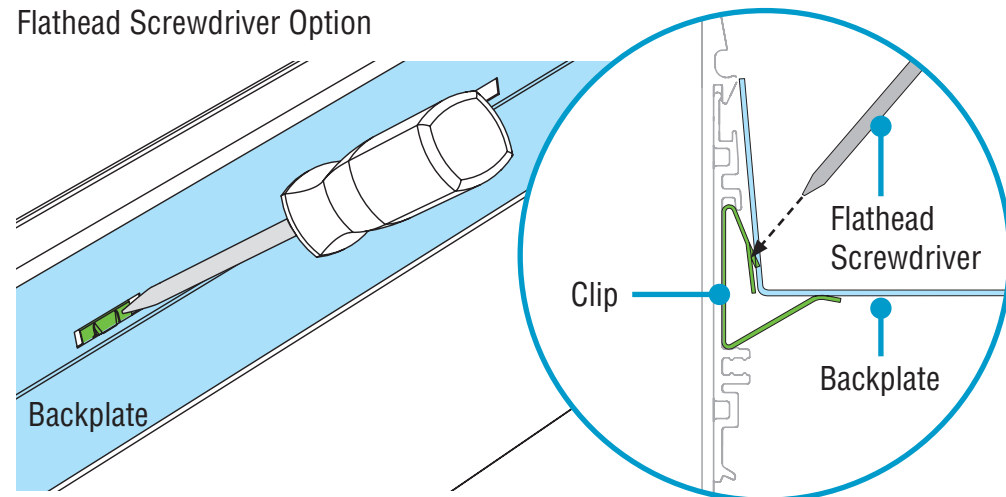
## Step 3 - Opening Luminaires

### A. Release Backplates Top-Down View

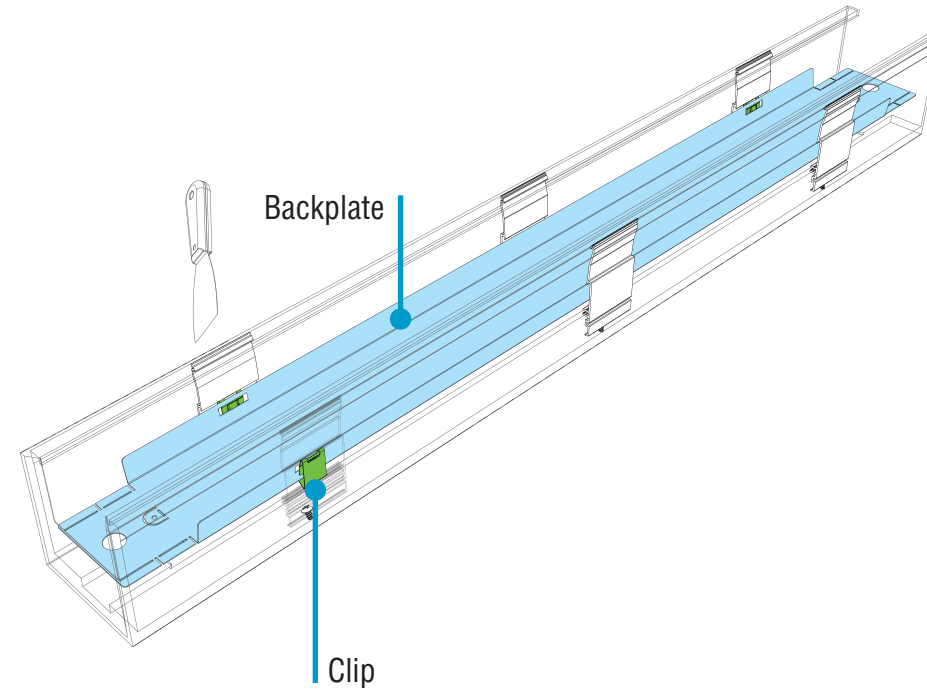
Putty Knife Option



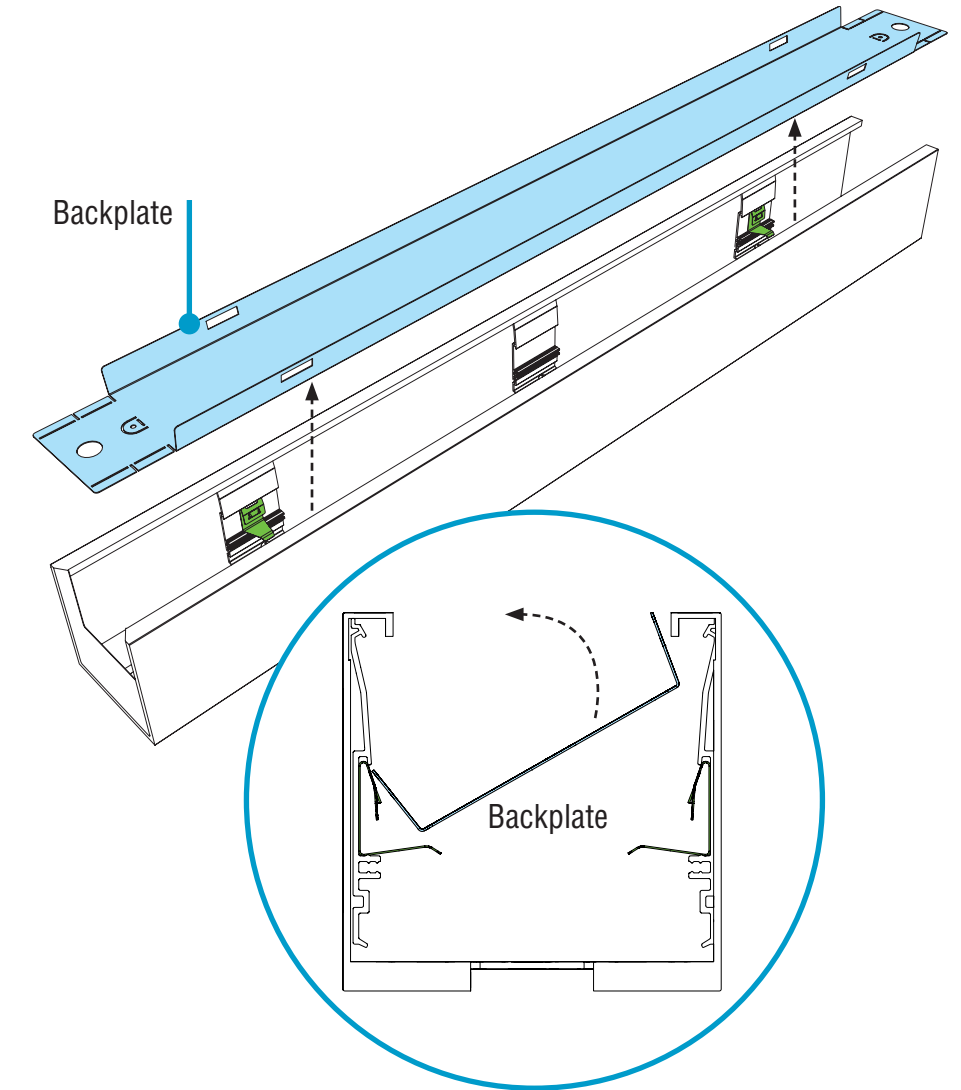
Flathead Screwdriver Option



- **FOR SENSOR:** If luminaire contains a sensor at endcap, refer to page 2 of Sensor Addendum before opening luminaire.
- Open all backplates for access to mounting points.
- Release the backplates from clips by sliding the blade of a putty knife behind backplate edges.
- To use a flathead screwdriver: From inside backplate, press end of screwdriver against the clip until the backplate is released.



### B. Remove Backplates Top-Down View



- Rotate backplate out of luminaire and set aside to prevent from getting dirty or damaged.

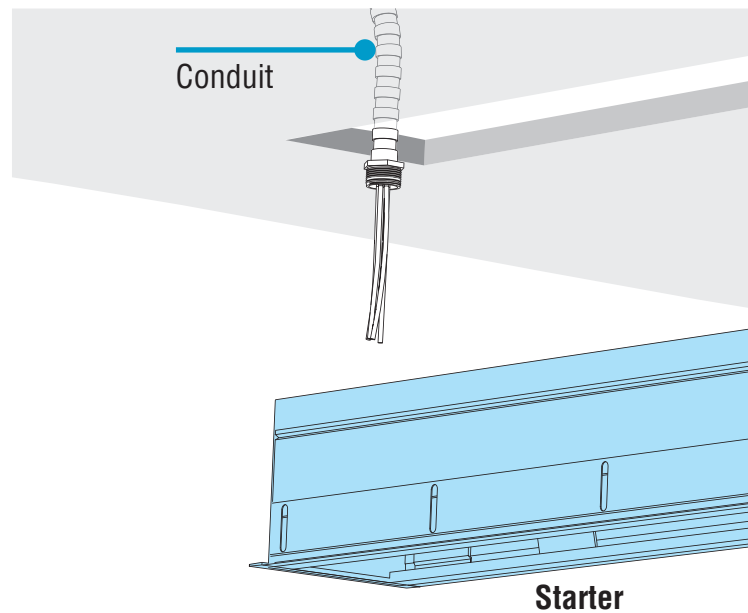


Effortless  
Access

# H04 Recessed Spackle & Visible Flange Installation Instructions

## Step 4 - Mounting Starter to Structure

### A. Make Electrical Connections Bottom-Up View



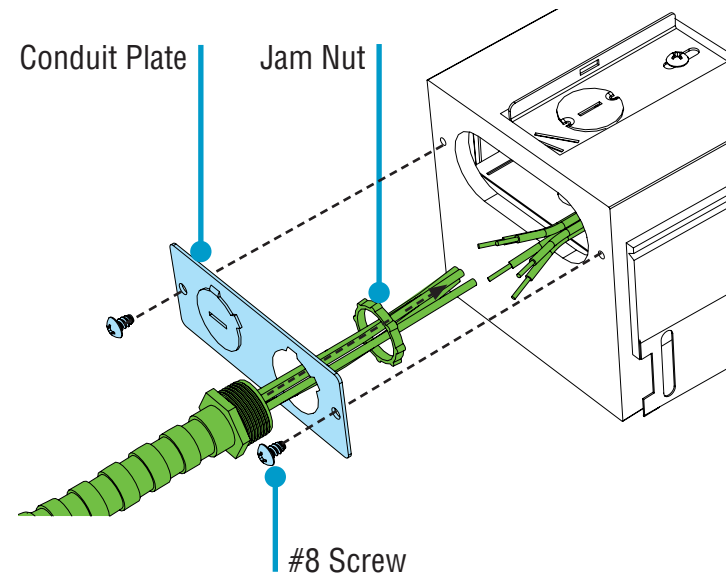
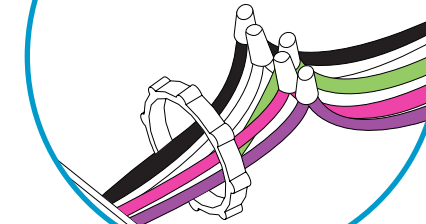
- While properly supporting luminaire, maneuver luminaire near wall/ceiling opening.
- Make electrical connections at **ENDCAP**, at **TOP** or with a **SPLICE BOX**.

### Electrical Connection Options

#### WIRING LEGEND

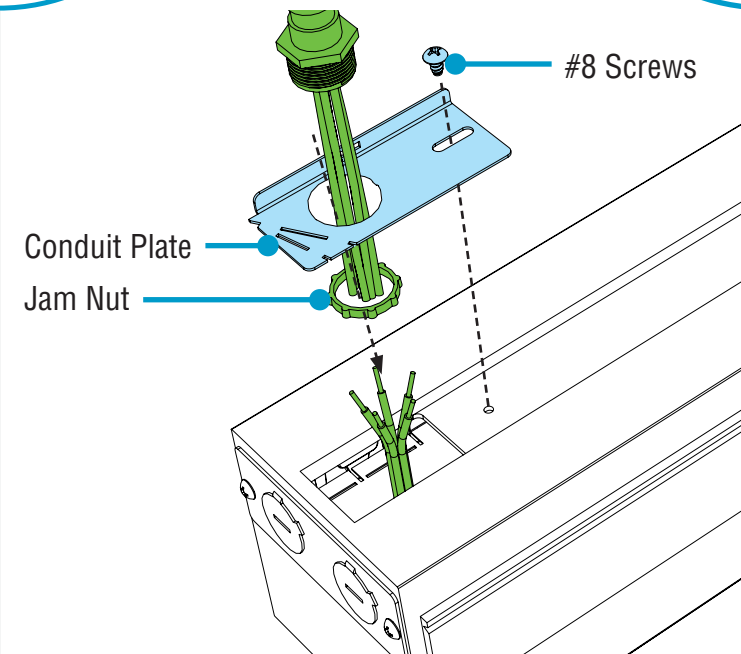
Black	Hot	Line Voltage
White	Neutral	Line Voltage
Green	Ground	
Pink	Dimming	0-10V DC
Purple	Dimming	0-10V DC

Wire-nut electrical connections.  
(Typical for all options.)



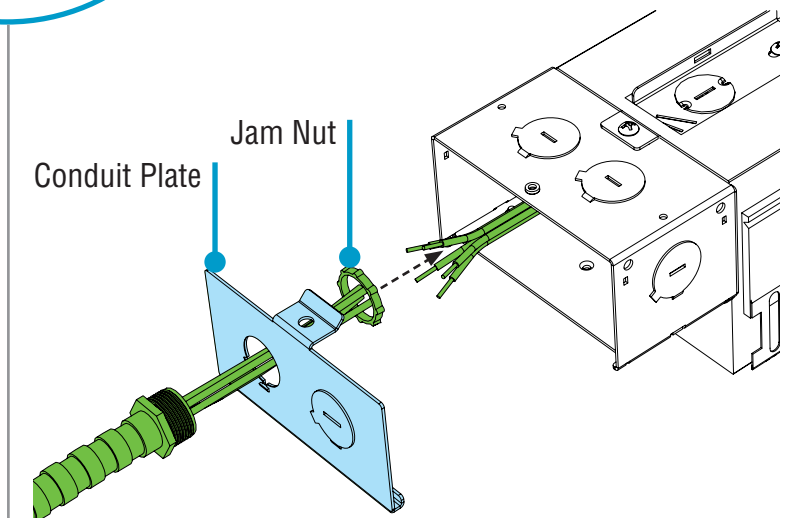
#### OPTION 1 - CONDUIT PLATE - ENDCAP

- Remove two screws holding conduit plate.
- Install conduit and jam nut onto conduit plate.
- Wire-nut electrical connections. See wiring legend above.
- Reinstall conduit plate and screws. Do not damage any wires.



#### OPTION 2 - CONDUIT PLATE - TOP

- Remove screw holding conduit plate.
- Install conduit and nut onto conduit plate.
- Wire-nut electrical connections. See wiring legend above.
- Reinstall conduit plate and screw. Do not damage any wires.



#### OPTION 3 - SPLICE BOX

- Lift tab to unsnap and remove splice box cover.
- Install conduit and nut onto splice box cover.
- Wire-nut electrical connections. See wiring legend above.
- Reinstall splice box cover. Do not damage any wires.

CONTINUED



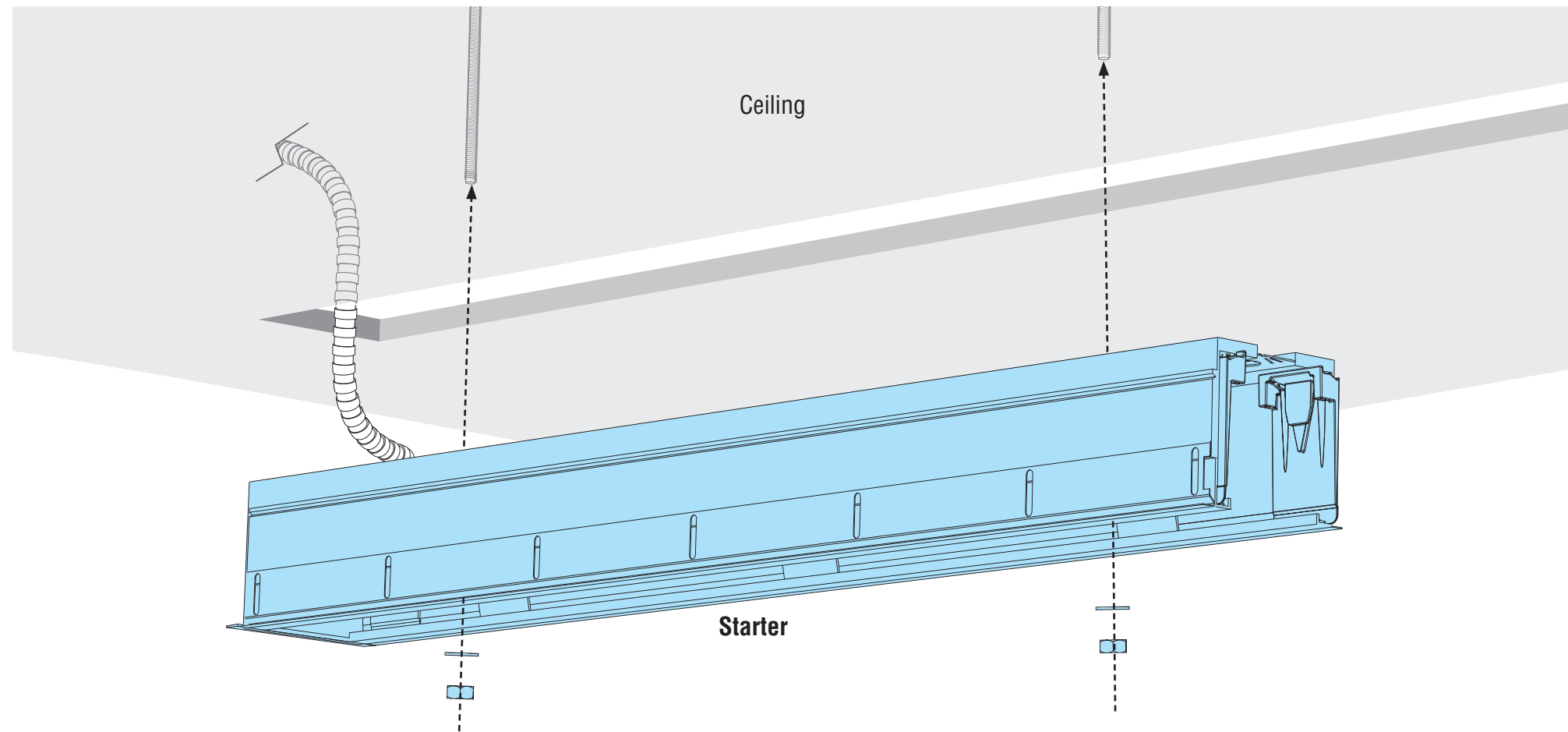
0-10V  
Dimming



# H04 Recessed Spackle & Visible Flange Installation Instructions

## Step 4 - Mounting Starter to Structure

### B. Mount Starter to Structure Bottom-Up View



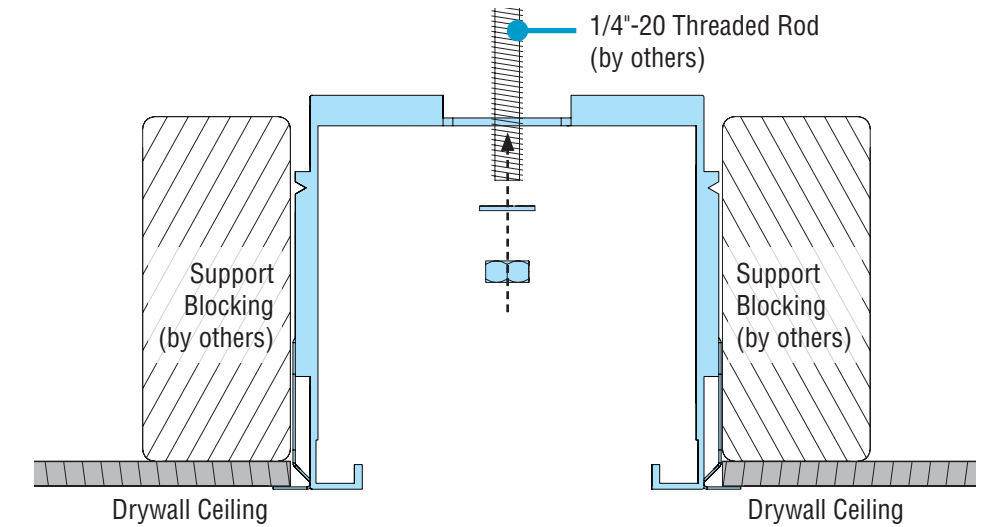
#### Option 1 (Shown) - Mount to Threaded Rod

- Align threaded rods with mounting holes and slide luminaire into wall/ceiling.
- Install 1/4"-20 nut and 1/4"-20 washer onto 1/4"-20 threaded rod.
- **CRITICAL:** If installing a joiner luminaire in the next step, leave the nut loose, allowing the luminaire to hang out of the ceiling at an angle.
- If there is no joiner/ender, then tighten nuts fully. **PROCEED TO STEP 7.**

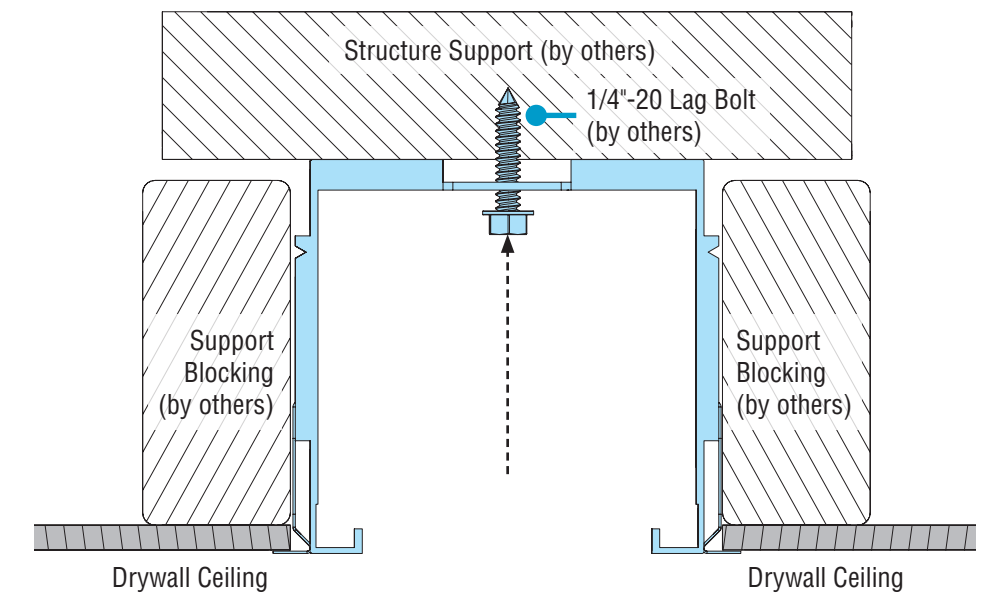
#### Option 2 - Mount to Structure

- Slide luminaire into wall/ceiling and mount to structure support with hardware appropriate for the structure type.
- **CRITICAL:** If installing a joiner luminaire in the next step, leave the bolt/screw loose, allowing luminaire to hang out of the ceiling at an angle.
- If there is no joiner/ender, then tighten nuts fully. **PROCEED TO STEP 7.**

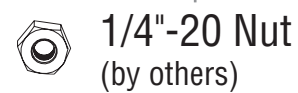
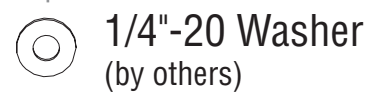
#### Option 1 (Shown) - Mount to Threaded Rod



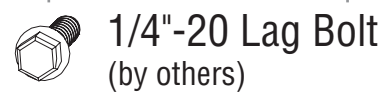
#### Option 2 - Mount to Structure



#### Mounting Option 1



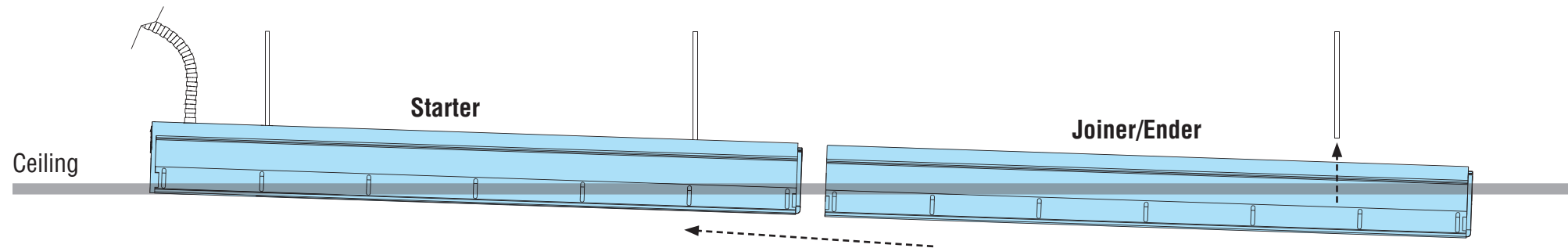
#### Mounting Option 2



# H04 Recessed Spackle & Visible Flange Installation Instructions

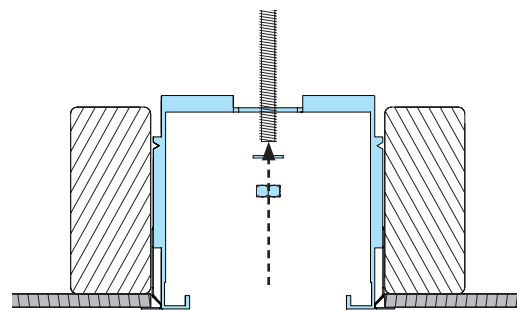
## Step 5 - Joining Luminaires

### A. Mount Joiner/Ender to Structure Side View



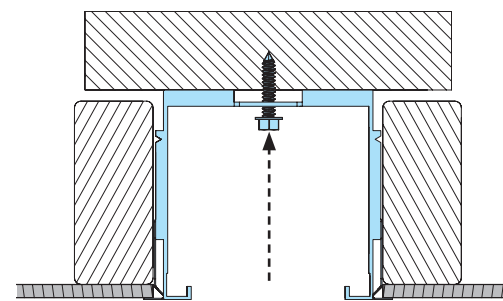
- **FOR SENSOR:** If luminaire contains a sensor at joint, refer to page 4 of Sensor Addendum before joining luminaires.
- While properly supporting luminaire, maneuver luminaire near wall/ceiling opening.
- If necessary, loosen bolts on previous luminaire so that it can hang out of the opening at an angle.
- After installing a joiner, return to previous luminaire and tighten.

#### Option 1 (Shown) - Mount to Threaded Rod



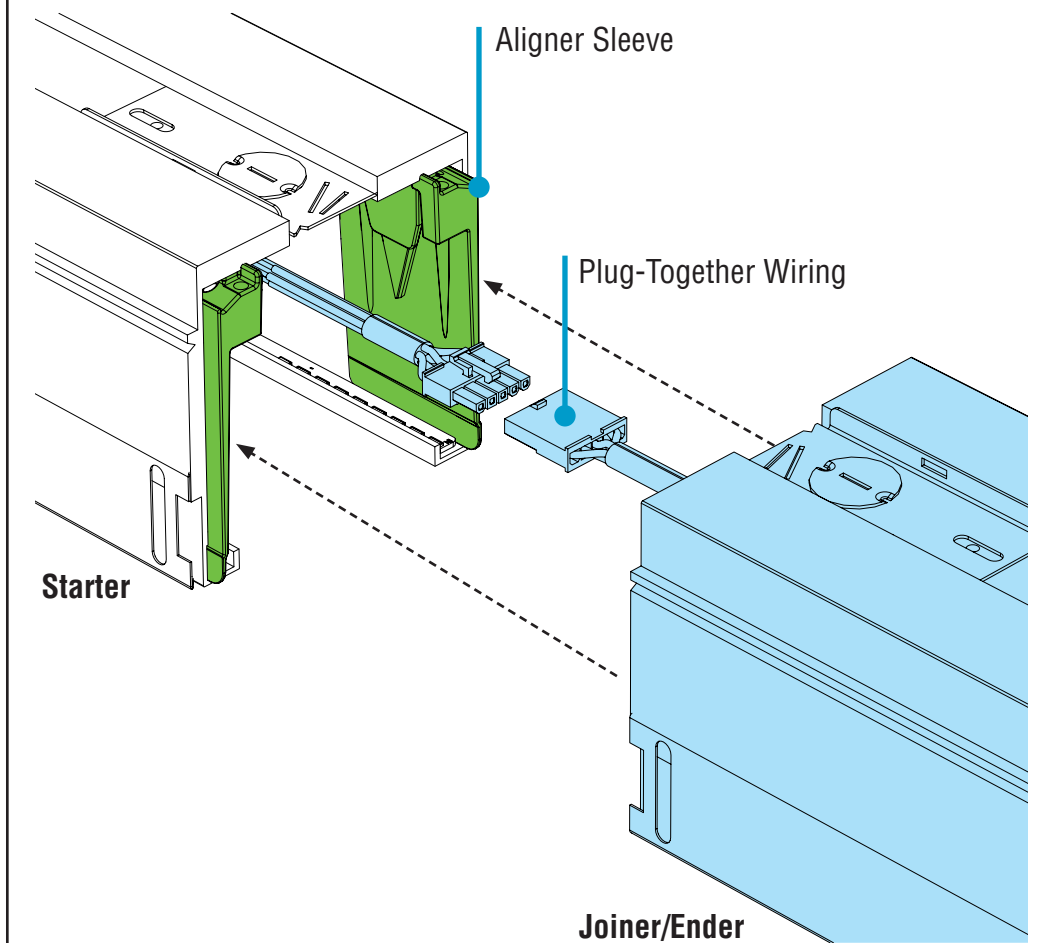
- **FOR SENSOR:** If luminaire contains a sensor at joint, refer to page 4 of Sensor Addendum before joining luminaires.
- Align threaded rods with mounting holes and slide luminaire into wall/ceiling.
- Install 1/4"-20 nut and 1/4"-20 washer onto 1/4"-20 threaded rod.
- **CRITICAL:** If installing another joiner luminaire, leave the nut loose, allowing the luminaire to angle out of ceiling at an angle.
- If there is no additional joiner/ender, then tighten nuts fully.

#### Option 2 - Mount to Structure

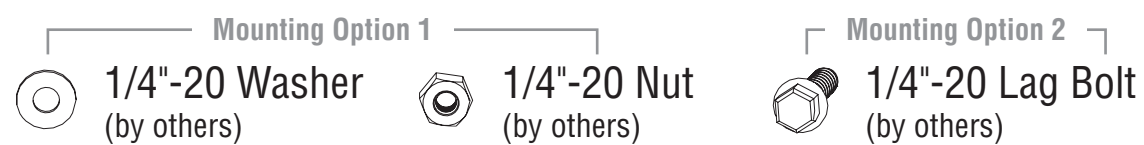


- **FOR SENSOR:** If luminaire contains a sensor at joint, refer to page 4 of Sensor Addendum before joining luminaires.
- Slide luminaire into wall/ceiling and mount to structure support with hardware appropriate for the structure type.
- **CRITICAL:** If installing another joiner luminaire, leave the bolt/screw loose, allowing luminaire to hang out of ceiling at an angle.
- If there is no additional joiner/ender, then tighten nuts fully.

### B. Make Electrical Connections Top-Down View



- Connect plug-together wiring.
- Align joiner/ender with aligner sleeves on starter and slide together.
- If necessary, **lift** both luminaires, then slide together. Be careful not to damage any wiring.



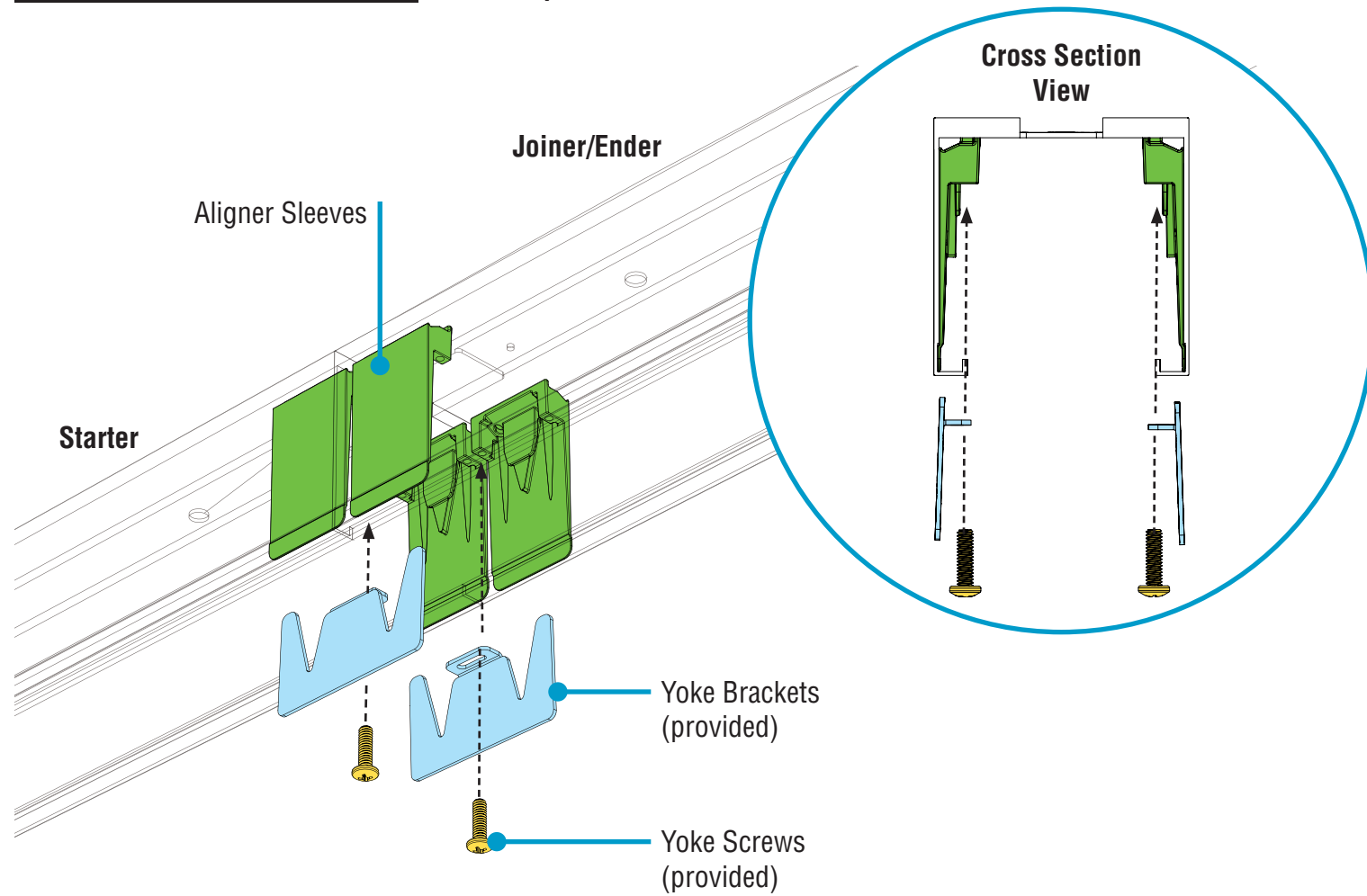
Simple  
Plug-Together  
Wiring



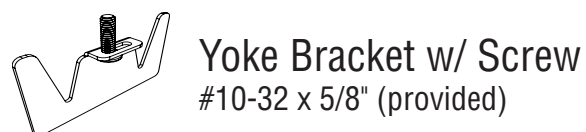
# H04 Recessed Spackle & Visible Flange Installation Instructions

## Step 6 - Securing Luminaire Joints

**Secure Joint with Yoke Brackets** Bottom-Up View

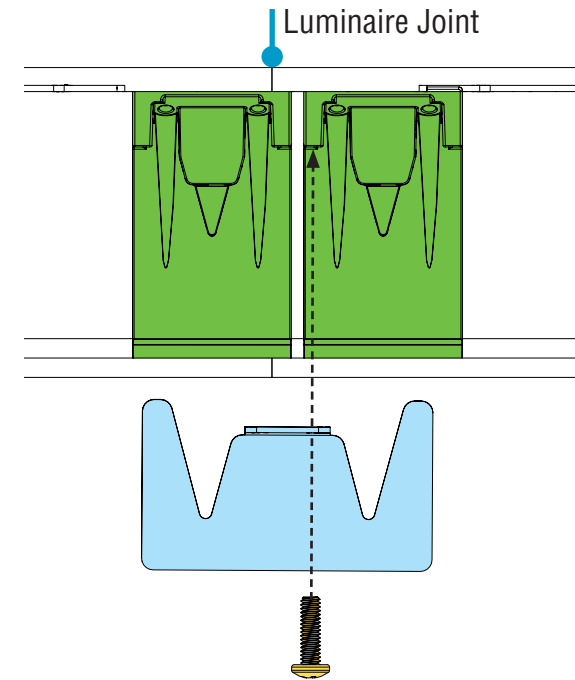


- Before installing yoke brackets, ensure the joining ends of luminaires meet flush and square.
- **CRITICAL:** Ensure yoke brackets properly engage with aligner sleeves.
- Secure joint by using a screwdriver<sup>1</sup> to tighten yoke screws through yoke brackets and into the aligner sleeves until joint seam of luminaire is closed.

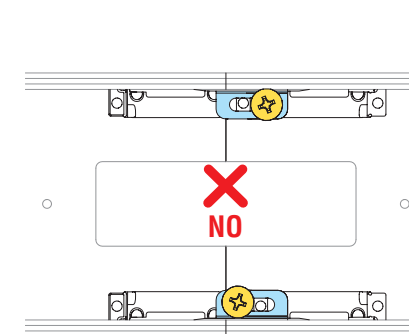


<sup>1</sup> Screwdriver with 6" bit required.

**IN ALIGNMENT**

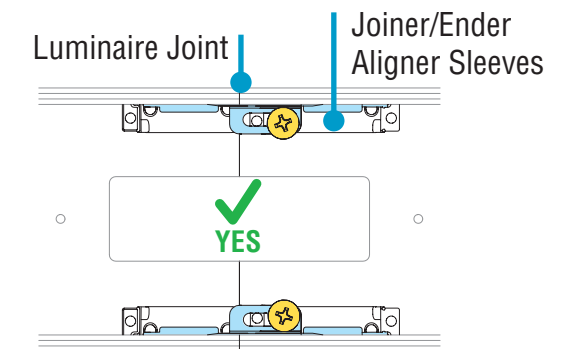
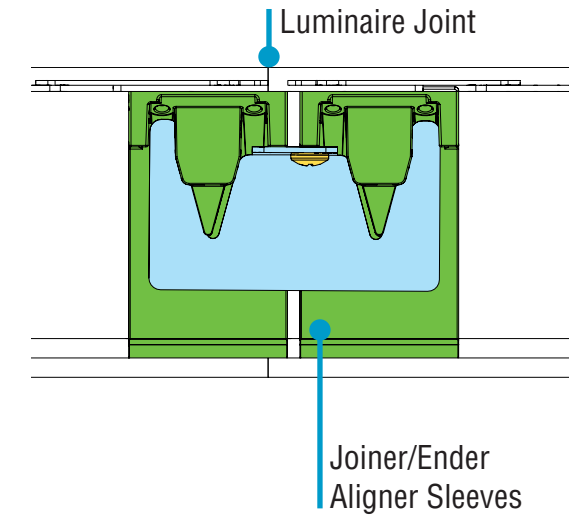


**YOKE SCREW ALIGNMENT** Bottom-Up View



**NOTE:** Yoke screws should be installed directly across from each other, not diagonally, and in holes furthest from the joint line. One yoke screw per one yoke bracket.

**CORRECTLY INSTALLED**

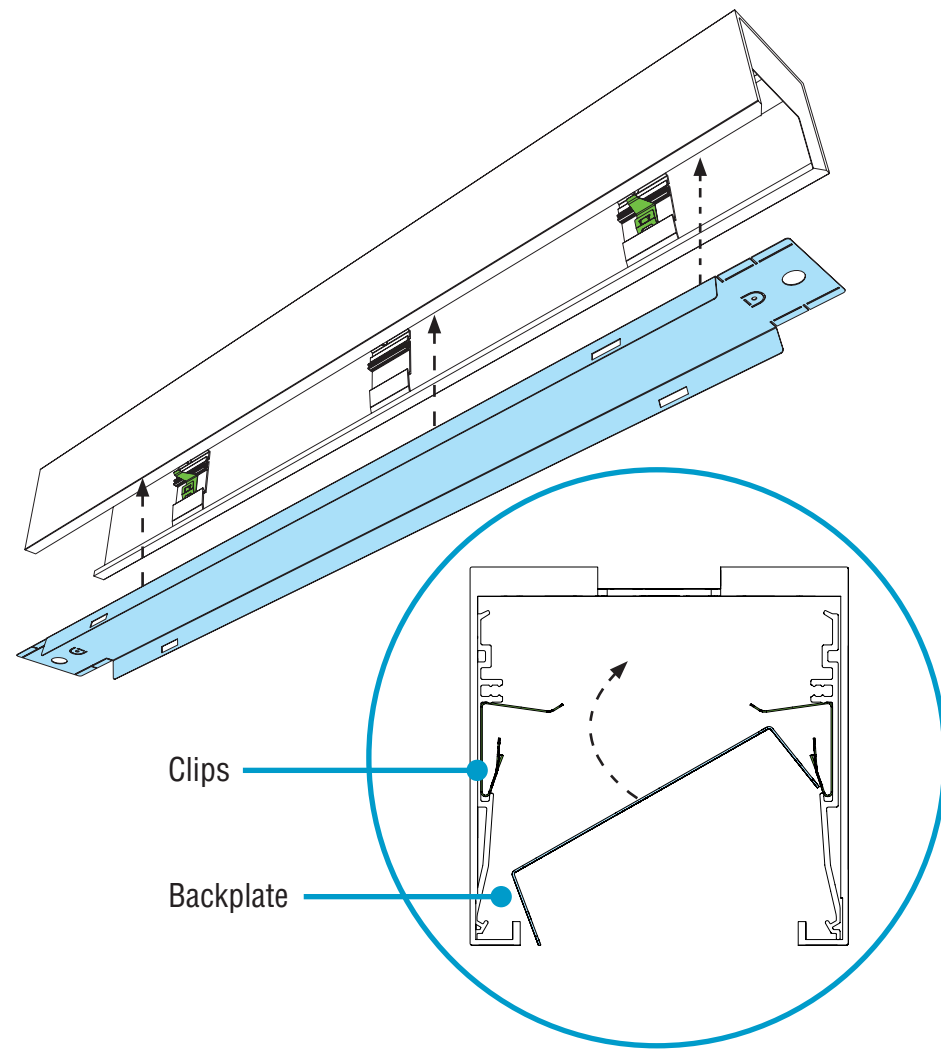


Universal &  
Robust Joints

# H04 Recessed Spackle & Visible Flange Installation Instructions

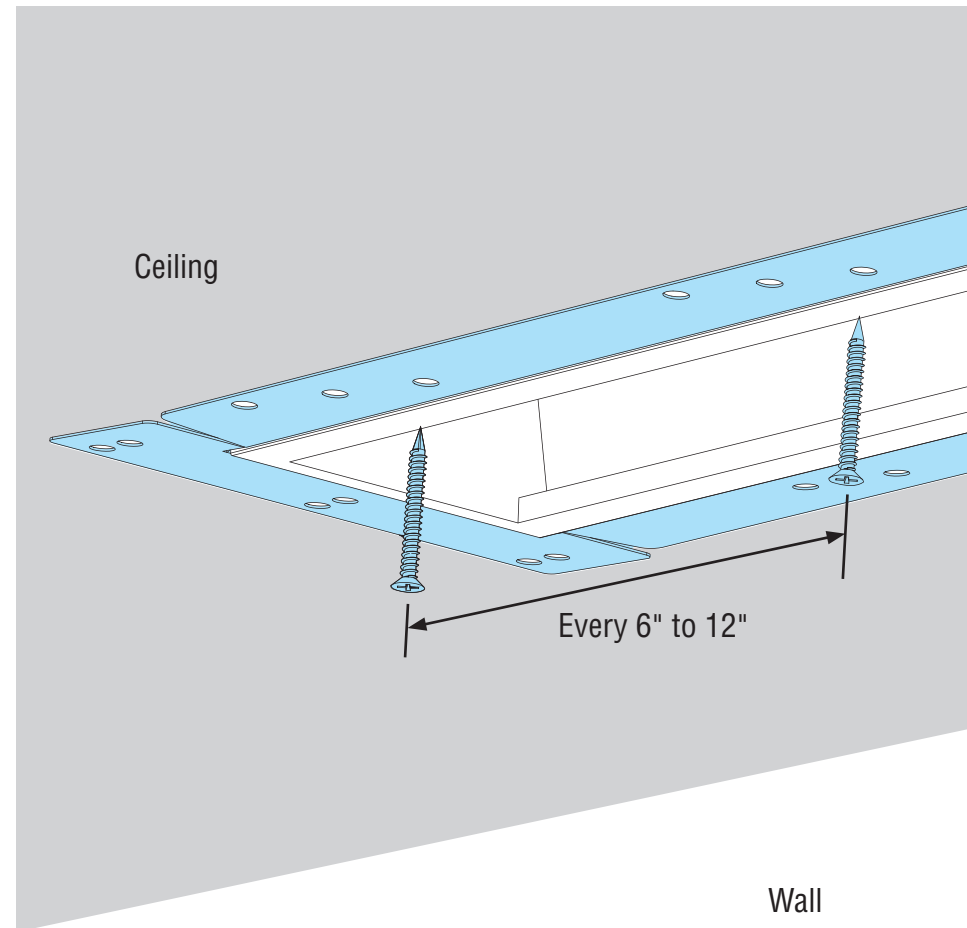
## Step 7 - Closing Luminaires

### A. Replace Backplate Bottom-Up View



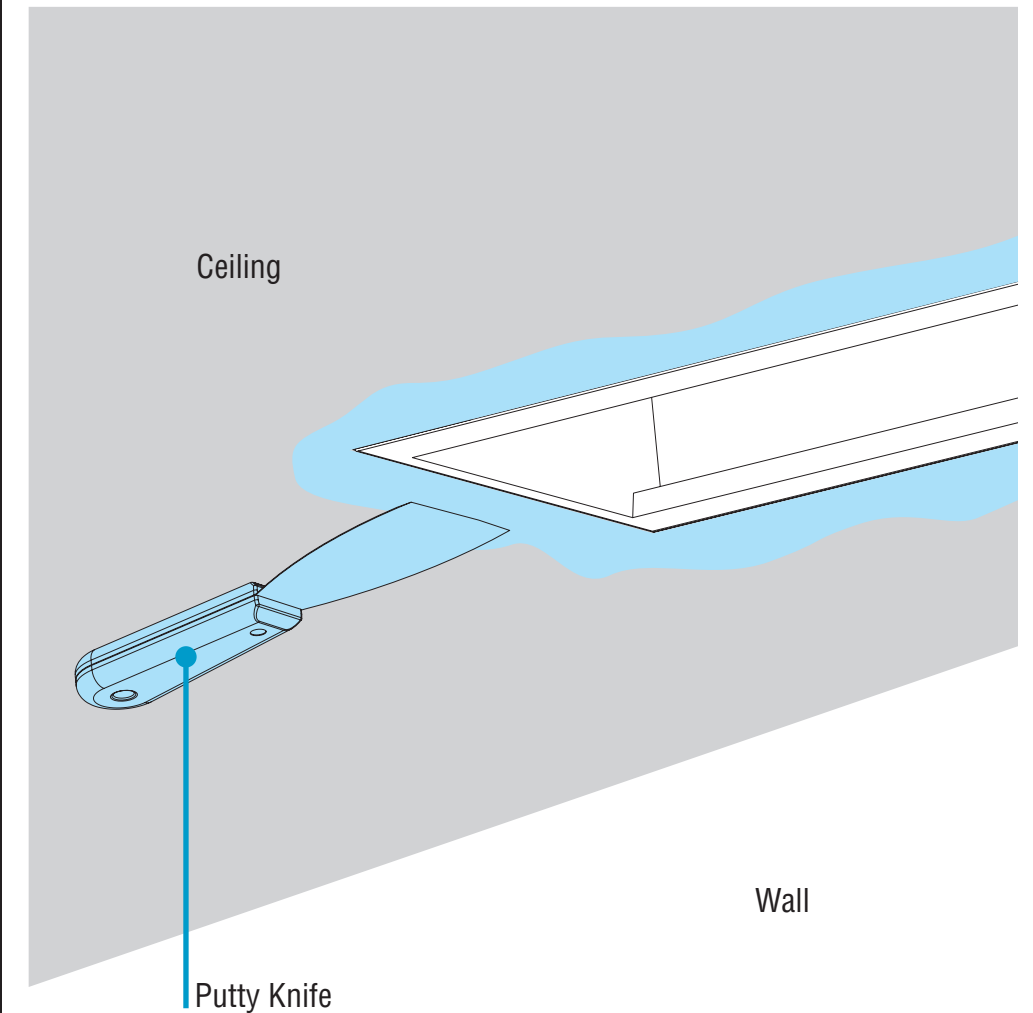
- Now that the joint is secured, tighten all nuts and washers on threaded rods at all suspension points.
- Reinstall backplates by rotating into luminaire body and snap into clips.
- **FOR SENSOR:** If luminaire contains a sensor at endcap, refer to page 3 of Sensor Addendum. If luminaire contains a sensor at joint, refer to page 6 of Sensor Addendum.

### B. Secure Flange To Structure Spackle Flange Only

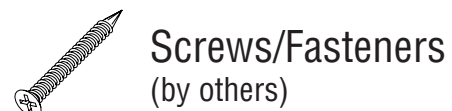


- Secure spackle flanges to wall/ceiling using appropriate screws or fasteners<sup>1</sup> for hard surface, per local building codes.

### C. Apply Spackle Spackle Flange Only



- Spackle and paint over flanges up to luminaire edge.
- **CAUTION:** Careful not to drop spackle into luminaire. Immediately wipe off excess spackle that may have gotten onto luminaire edges.
- Replace backplate and install reflectors (refer to page 11).



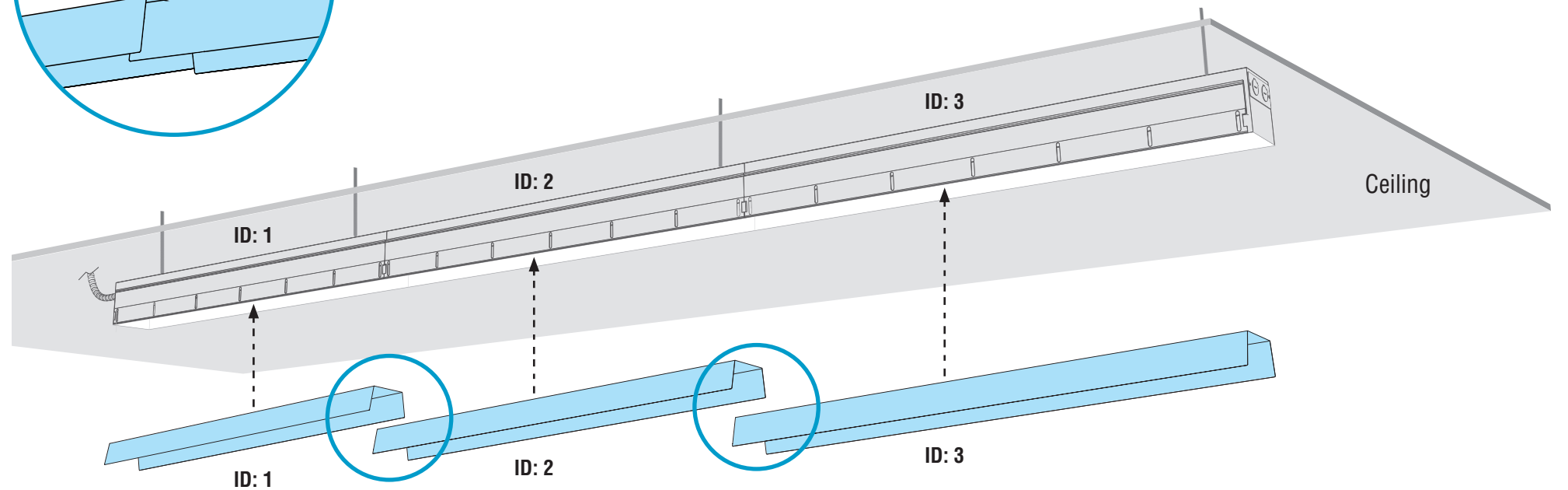
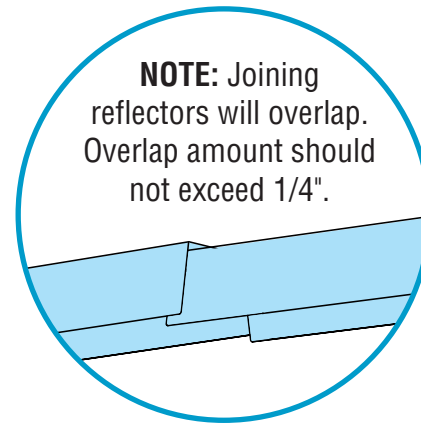
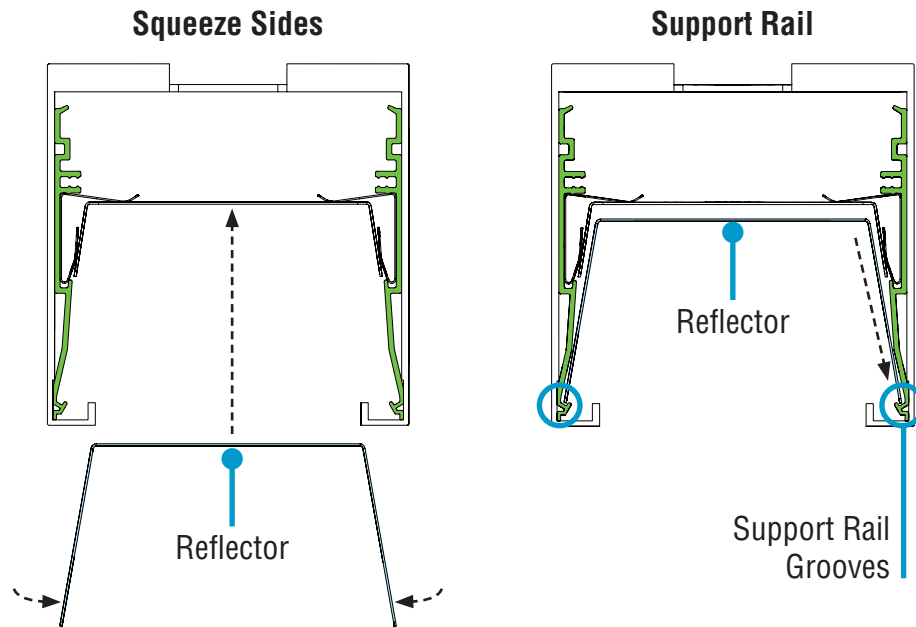
<sup>1</sup> Screws or fasteners: drywall - drywall screws, wood - wood screws, etc.

CONTINUED

# H04 Recessed Spackle & Visible Flange Installation Instructions

## Step 7 - Closing Luminaires

**D. Final Step - Install Reflectors** Side View



- **NOTE:** If your installation includes a battery backup, please see addendum (98333) that should be included with your kitting package.
- **CAUTION:** Wear gloves to keep reflector surface clean. Be careful not to crease material. Make all adjustments to placement before settling on final position of reflector.
- Remove reflectors from protective plastic bag prior to installing.
- **CRITICAL:** Be sure to install correct reflector to its corresponding luminaire ID.
- Install reflector by squeezing in sides and inserting into luminaire body.
- Ensure reflector is pulled down so that its bottom edges catch the groove of the support rail.

- **NOTE:** Reflectors installed in joiner and ender luminaires are 1/4" longer. When installing the reflectors, overlap the reflector of the previous luminaire section by 1/4".
- Turn power on to luminaires.



Reflector Installation