

H04 Indirect/Direct Installation Instructions

Overview

NOTES

- Ensure that reflectors do not get dirty or damaged.
- If luminaire contains a sensor refer to the Sensor Addendum.
- All power connections should be installed according to local/national codes by a Certified Electrician.
- This installation requires **proper support** as each luminaire is being installed.
- **DO NOT attempt to join luminaires together on the floor.** Damage may result when lifted.



HELPFUL
VIDEOS



0-10V
Dimming



Simple
Plug-Together
Wiring



Universal &
Robust Joints



Reflector
Installation

Step 1
Mounting & Suspension
Page 2

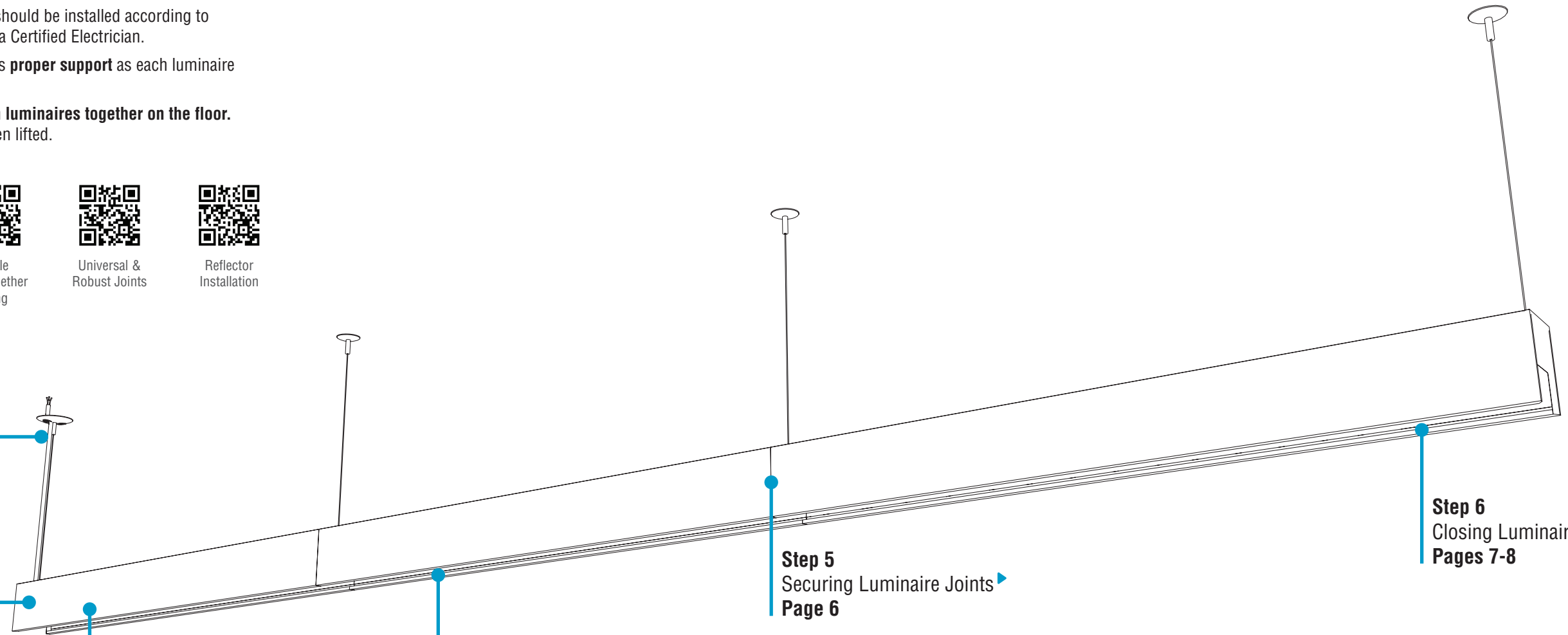
Step 2
Identification & Preparation
Page 3

Step 3
Mounting Starter to Structure
Page 4

Step 4
Joining Luminaires
Page 5

Step 5
Securing Luminaire Joints
Page 6

Step 6
Closing Luminaires
Pages 7-8



H04 Indirect/Direct Installation Instructions

Step 1 - Mounting & Suspension

Mounting Options

Option 1 T-Bar Mounting - GridBox™, Caddy Clips

- Install GridBox™ and electrical conduit at feed locations.
- Install caddy clips at mounting point locations.
- All caddy clips are to be secured to structure, per local building codes.

Option 2 Drywall (C4), or other hard surfaces* - J-Box, Anchor Bolts

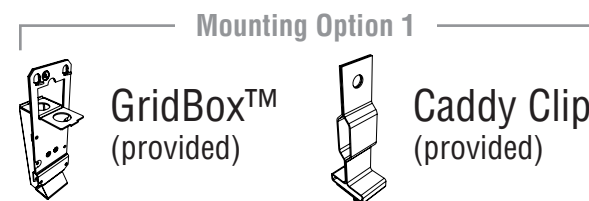
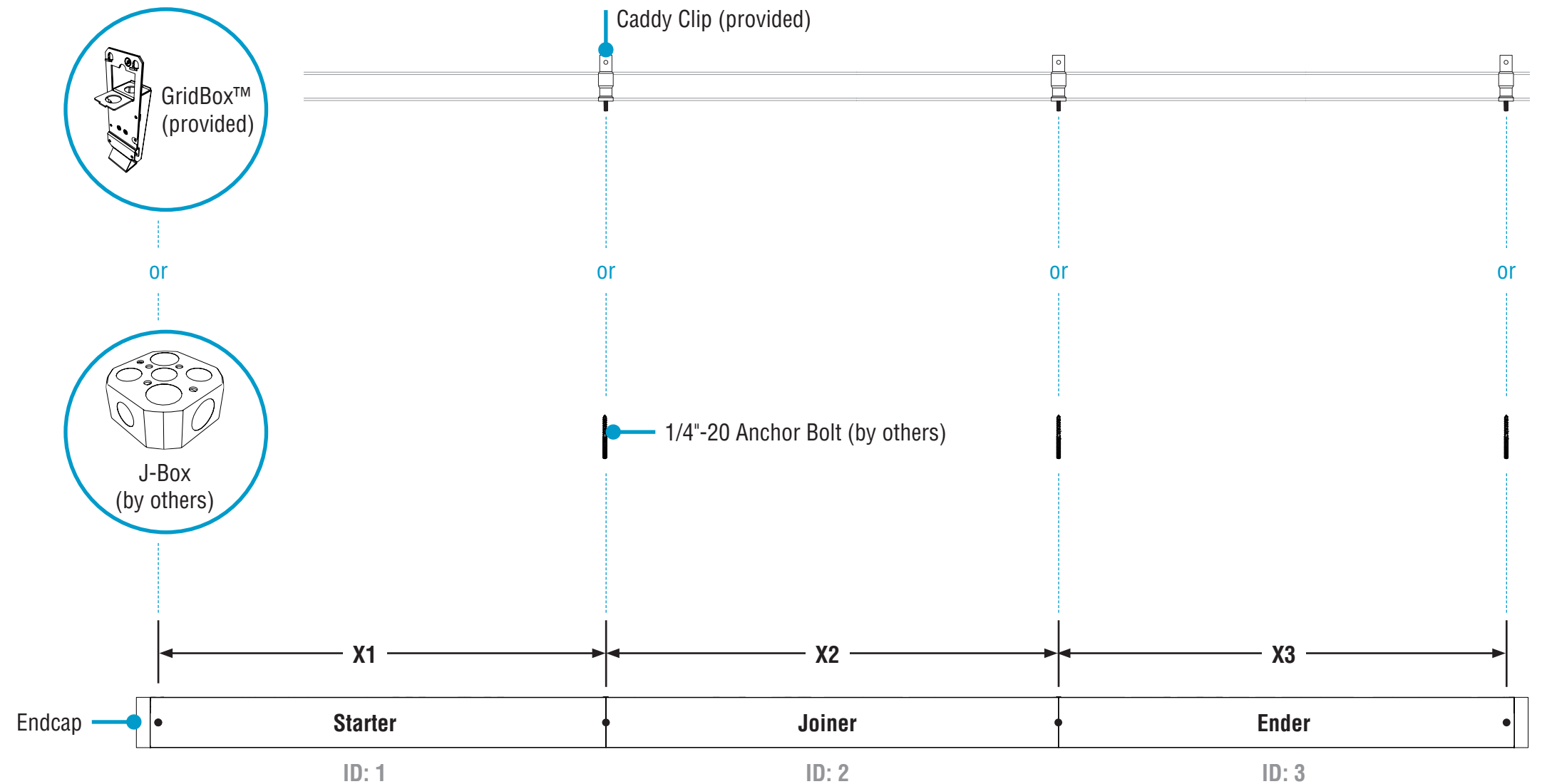
- Install J-Box and electrical conduit at feed locations.
- Install anchor bolts at mounting point locations.
- All anchor bolts are to be secured to structure, per local building codes.

* Other hard surfaces include: wood, sheet metal panels, steel beams, concrete or masonry. Use hardware appropriate for each surface material type.

Suspension Locations

X = Luminaire section length
(X Measurements **do not include** endcaps)

Refer to Record Drawings and building plans to determine exact mounting, suspension points, and power feed locations.



HO4 Indirect/Direct Installation Instructions

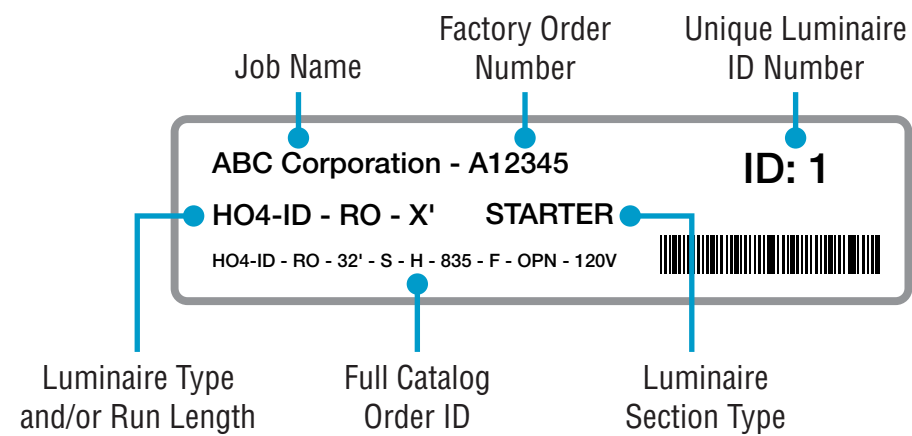
Step 2 - Identification & Preparation

A. Identify Luminaires



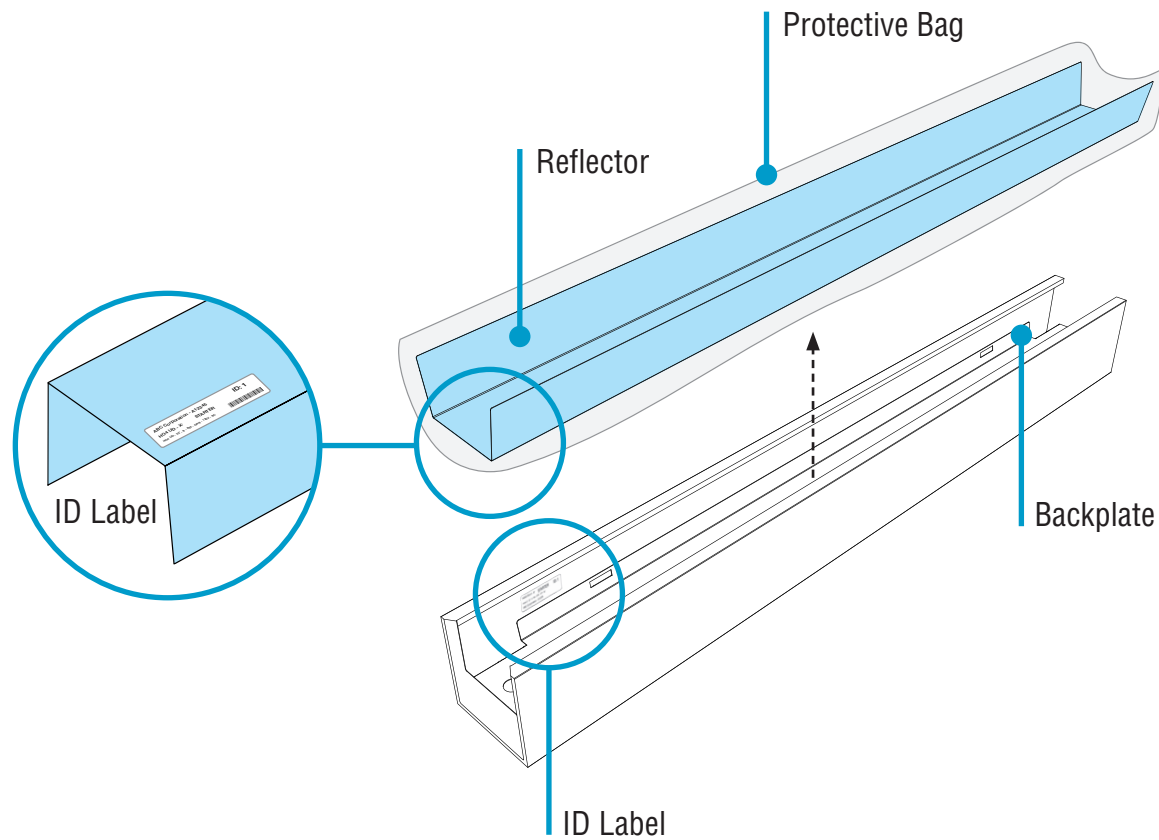
CAUTION

Arrange luminaires in order at their install locations, according to ID#.



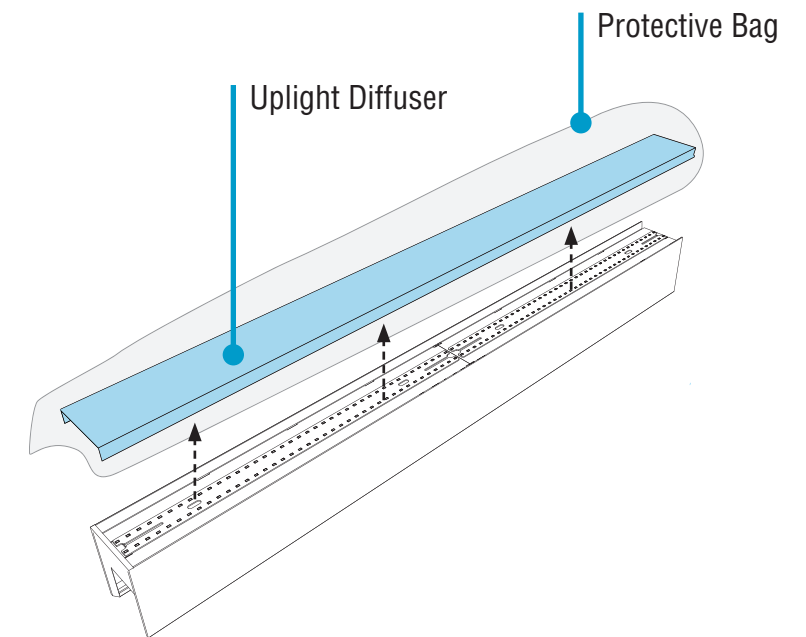
- Identify all luminaires by their ID label that can be found on the box, on the reflector, and inside the luminaire.
- NOTE:** Exact location of labels in these areas may vary.
- Remove luminaires from box.
- Refer to Record Drawings that can be found in the hardware kit.

B. Remove Reflector Top-Down View



- Carefully remove all reflectors, keeping them inside their protective bags.
- Set aside all reflectors to prevent from getting dirty or damaged.
- Ensure reflectors can be clearly identified back to its corresponding luminaire.
- If an independent, do not remove protective bag until step 6.

C. Remove Uplight Diffuser Top-Down View



- Carefully remove all upright diffusers, keeping them inside their protective bags.
- Set aside to prevent from getting dirty or damaged.

Kitted Hardware

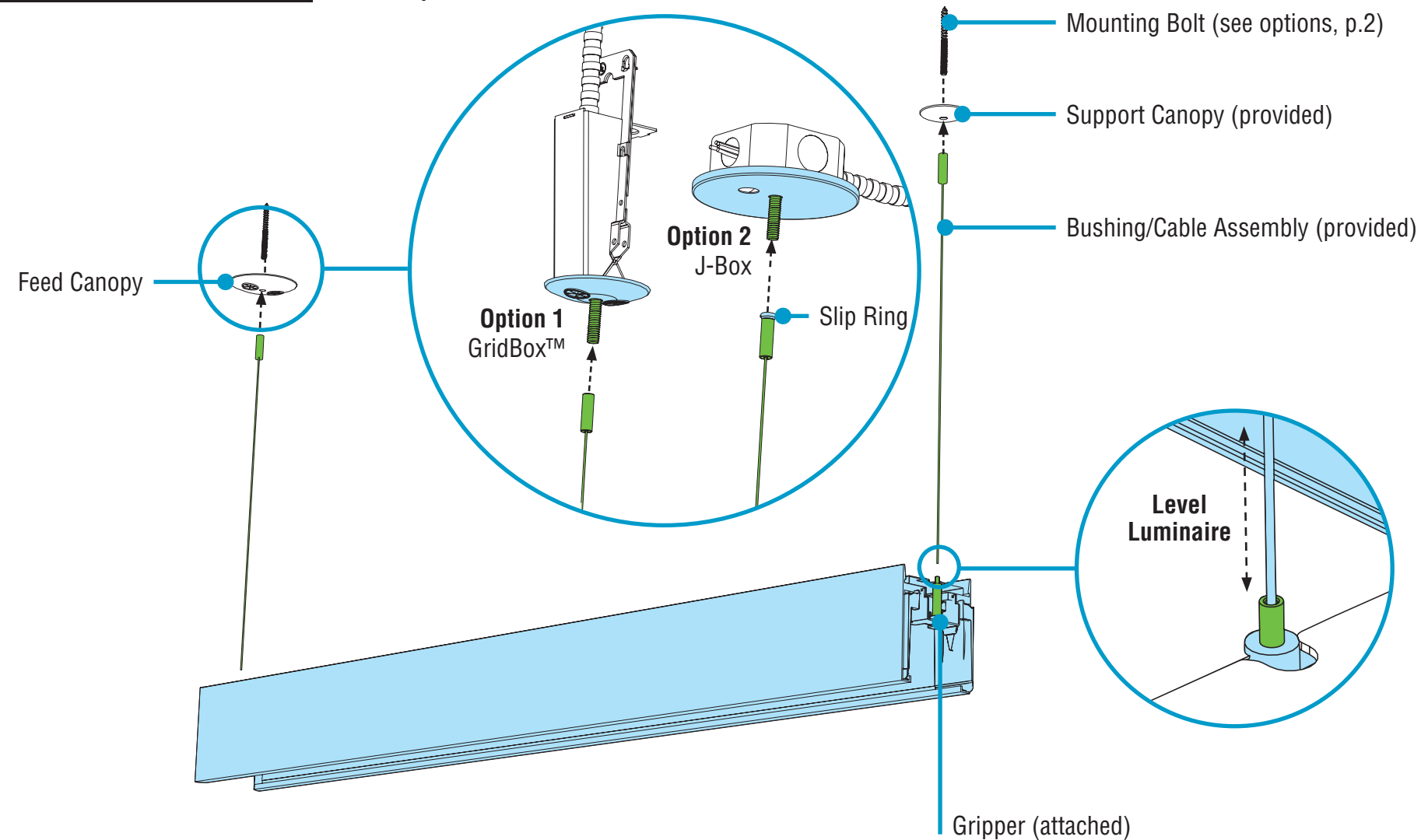
- Finelite has provided items listed here, with their Finelite part numbers. These items can be found in separate boxes shipped with the luminaire.
- Account for all parts and set aside until they are needed.
- All other hardware needed for this installation will be by others.

Mounting Option 1		Mounting Option 2		Cable Bushing Part# 94014	Yoke Bracket Part# 45042	Safety Crimp Part# 94514 Closing Luminaires p. 7, Step 6
 GridBox™ Part# 89159	 3-1/2" Canopy Part# 89191	 5" Canopy Part# 94085	 5" Dual Feed Canopy Part# 94145	 Aircraft Cable 50" - Part# 94515-12 (Std.) 100" - Part# 94515-14 150" - Part# 94515-18 Mounting Starter to Structure p. 4, Step 3 Joining Luminaires p. 5, Step 4	 #10-32 x 5/8" Screw Part# 94144 Securing Luminaire Joints p. 6, Step 5	
 Dual GridBox™ Part# 89199 Mounting & Suspension p. 2, Step 1	 3-1/2" Dual Feed Canopy Part# 89192 Mounting Starter to Structure p. 4, Step 3 Joining Luminaires p. 5, Step 4	 2" Drywall Support Canopy Part# 94017 Mounting Starter to Structure p. 4, Step 3 Joining Luminaires p. 5, Step 4			 Slip Ring w/ Set Screw Part# 94015 Mounting Starter to Structure p. 4, Step 3 Joining Luminaires p. 5, Step 4	
 Caddy Clip C1 Ceiling - Part# 94001 C2 Ceiling - Part# 94020 C3 Ceiling - Part# 94029 Mounting & Suspension p. 2, Step 1	 2" T-Bar Support Canopy Part# 89193 Mounting Starter to Structure p. 4, Step 3 Joining Luminaires p. 5, Step 4					

H04 Indirect/Direct Installation Instructions

Step 3 - Mounting Starter to Structure

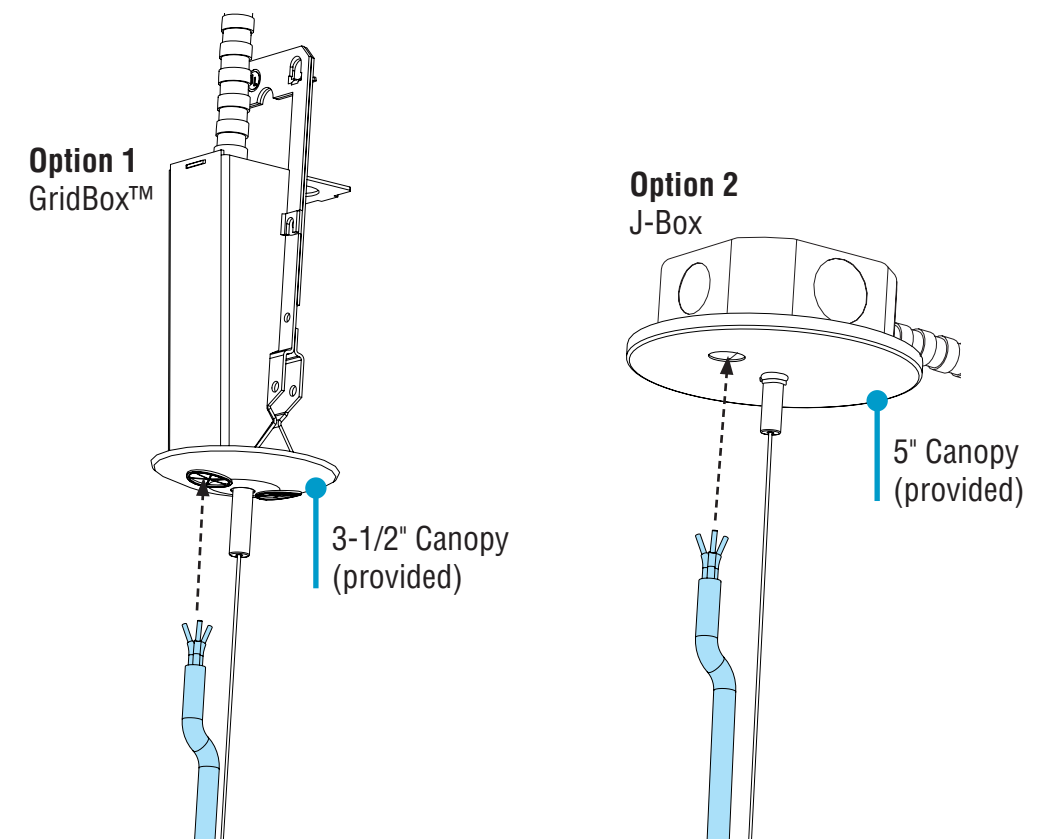
A. Mount Starter to Structure Bottom-Up View



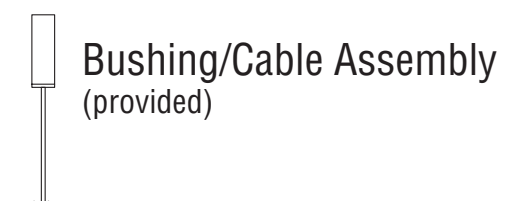
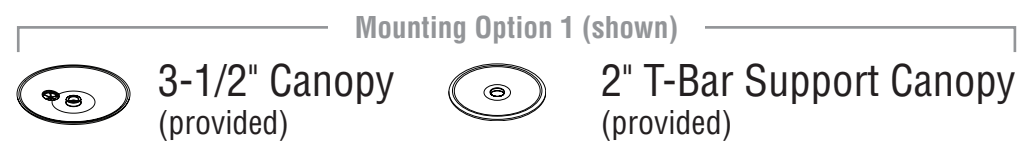
- Slide canopy appropriate for electrical type options onto mounting bolt (anchor bolt or caddy clip bolt).
- **(Option 2 only)** Slide slip ring onto bushing/cable assembly and thread onto mounting bolts. Secure slip ring with set screw at both mounting locations
- Thread the bushing/cable assembly onto mounting bolts.
- While properly supporting luminaire, maneuver luminaire to ceiling.
- Locate grippers at luminaire ends and feed end of aircraft cable through it by depressing top of gripper.
- **CRITICAL: Level luminaire section. If an independent, PROCEED TO STEP 6.**

B. Make Electrical Connections Bottom-Up View

WIRING LEGEND		
Black	Hot	Line Voltage
White	Neutral	Line Voltage
Green	Ground	
Pink	Dimming	0-10V DC
Purple	Dimming	0-10V DC



- **(Option 1)** Feed power cord through the 3-1/2" canopy and connect wires inside the GridBox™.
- **(Option 2)** Feed power cord through the 5" canopy and connect wires inside the J-Box.



0-10V
Dimming

H04 Indirect/Direct Installation Instructions

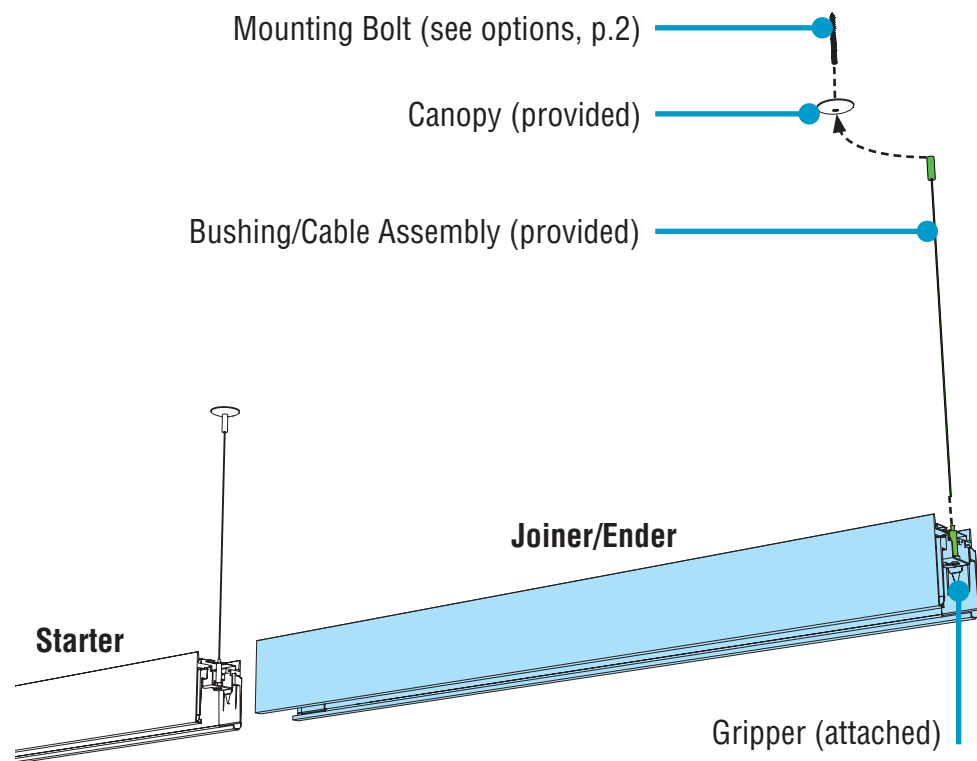
Step 4 - Joining Luminaires

A. Mount Joiner/Ender to Structure Bottom-Up View



CAUTION

DO NOT attempt to join luminaires together on the floor. Damage may result when lifted. Follow these instructions.



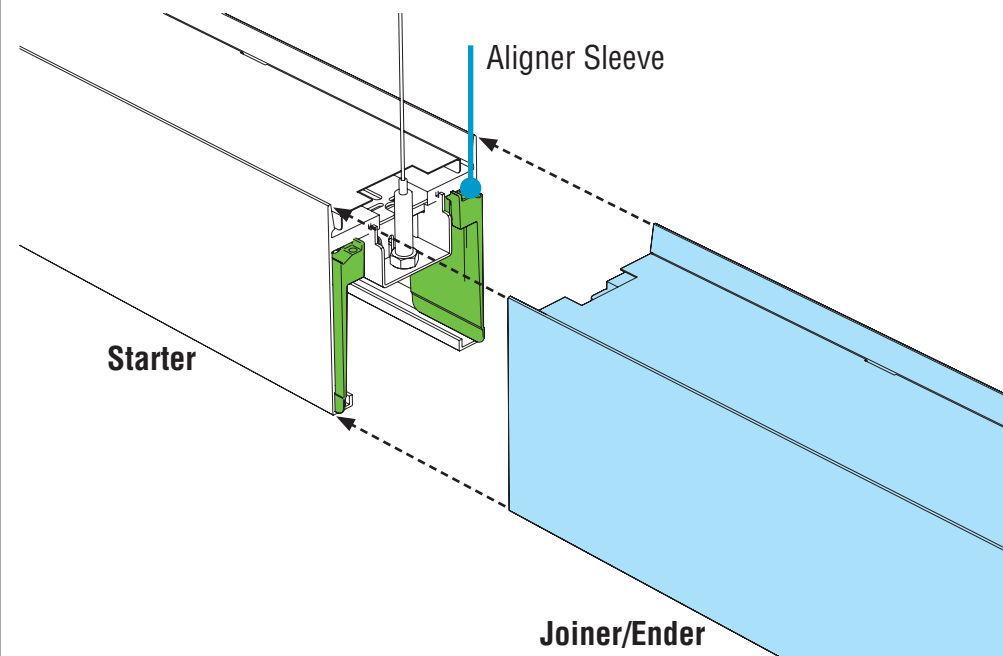
- **FOR SENSOR:** If luminaire contains a sensor at joint, refer to page 4 of Sensor Addendum before joining luminaires.
- For the joiner/ender luminaire, slide canopy appropriate for electrical type onto mounting bolt (anchor bolt or caddy clip bolt).
- Thread the bushing/cable assembly onto mounting bolt.
- While properly supporting luminaire, maneuver luminaire to ceiling.
- Locate gripper at luminaire ends and feed aircraft cable through it by depressing top of gripper.

B. Join Luminaires Top-Down View



CAUTION

Once luminaires are aligned together, **joiner luminaire is not yet secure**. Ensure it does not slide off as it rests on the starter luminaire.



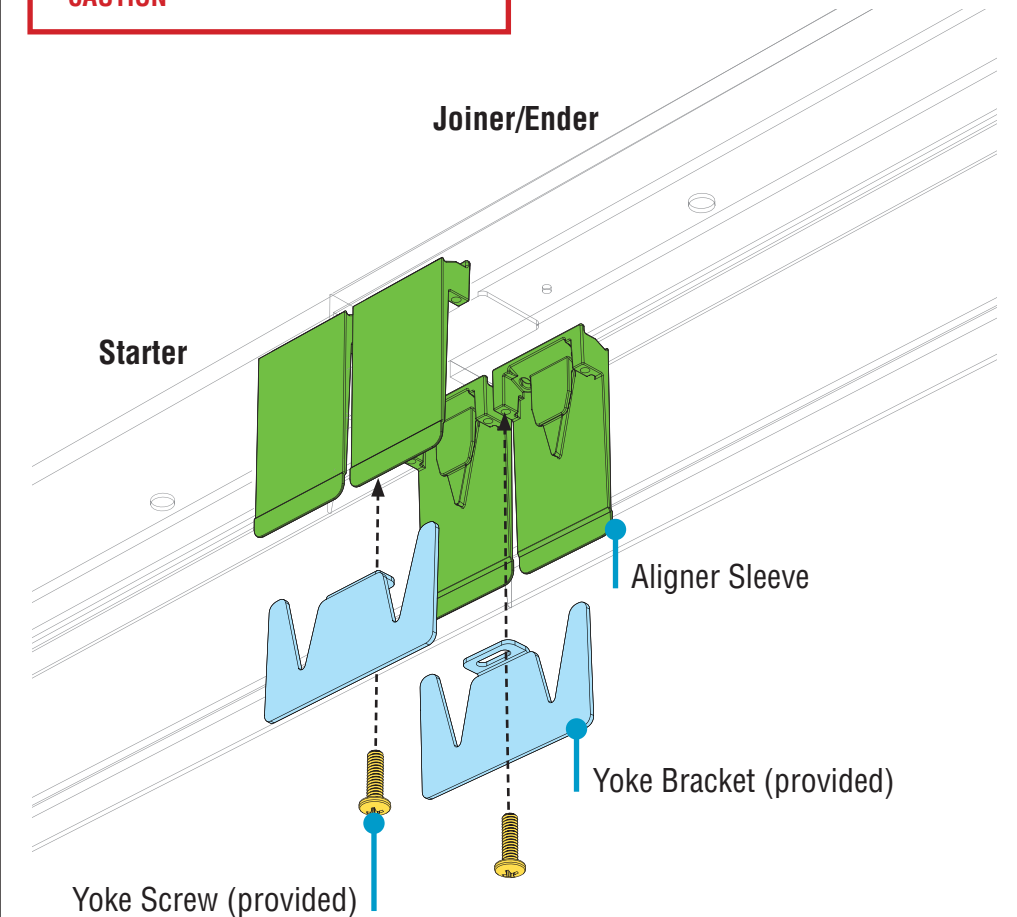
- Align joiner/ender with aligner sleeves on starter and slide together. Be careful not to damage any wiring.
- If necessary, **lift** both luminaires, then slide together.

C. Secure Joint with Yoke Brackets Bottom-Up View



CAUTION

DO NOT move or remove Aligner Sleeves!

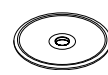


- Install yoke brackets, but **DO NOT tighten**.
- Level joining luminaire by raising or lowering the far end of the joining luminaire.

Mounting Option 1 (shown)



3-1/2" Canopy (provided)

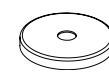


2" T-Bar Support Canopy (provided)

Mounting Option 2



5" Canopy (provided)



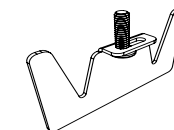
2" Drywall Support Canopy (provided)



Slip Ring w/ Set Screw (provided)



Bushing/Cable Assembly (provided)

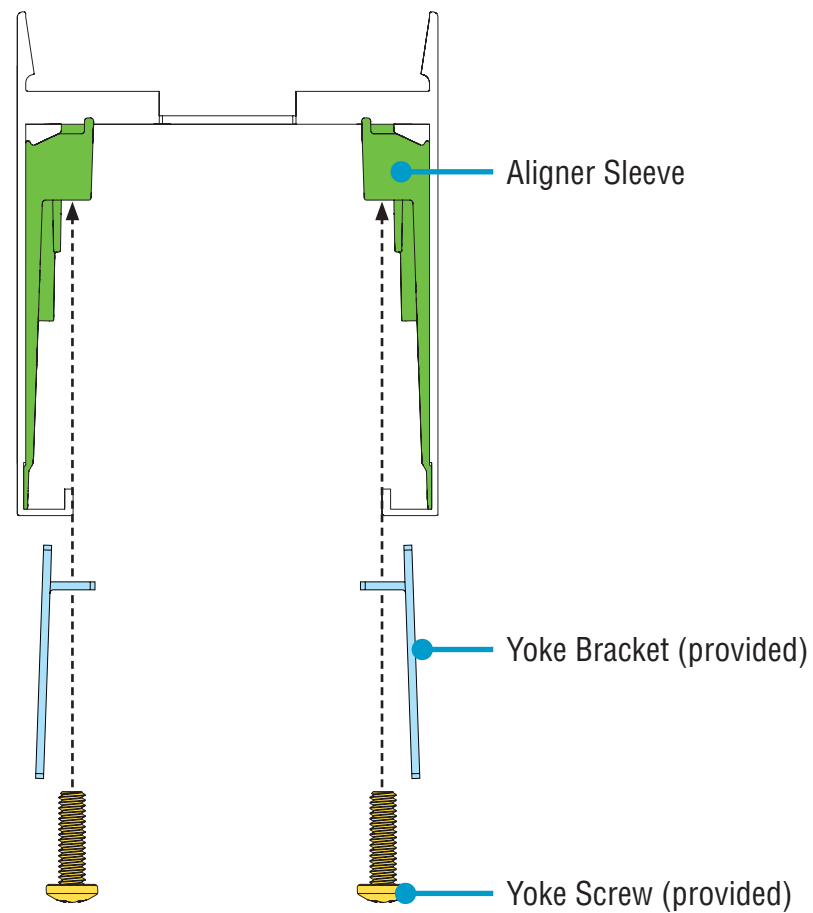


Yoke Bracket w/ Screw #10-32 x 5/8" (provided)

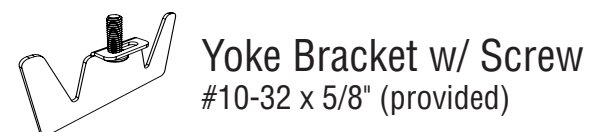
H04 Indirect/Direct Installation Instructions

Step 5 - Securing Luminaire Joints

A. Secure Yoke Brackets Side View

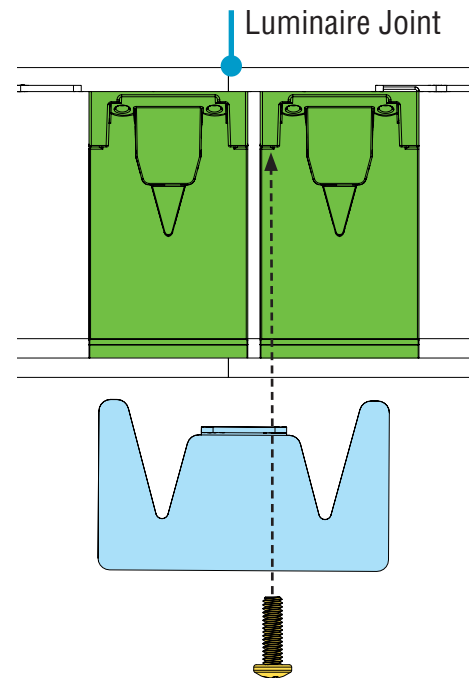


- Ensure the joining ends of luminaires meet flush and square.
- **CRITICAL:** Ensure yoke brackets properly engage with aligner sleeves.
- Tighten yoke screws¹ until joint seam of luminaires is closed.

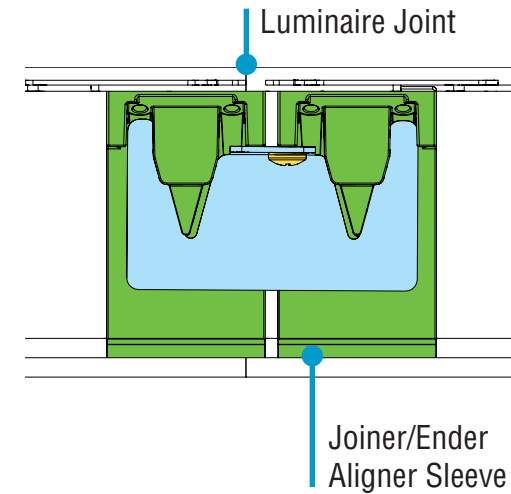


¹ Screwdriver with 6" bit required.

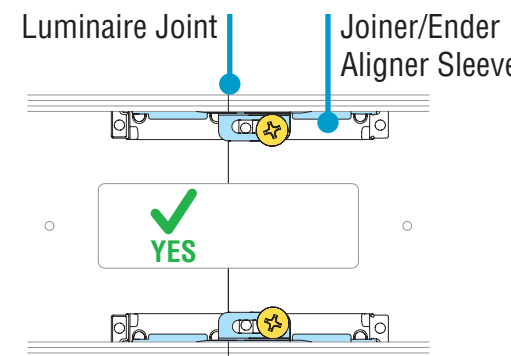
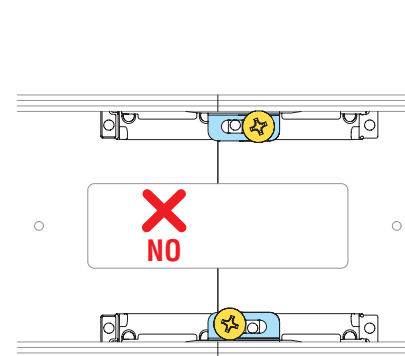
IN ALIGNMENT



CORRECTLY INSTALLED

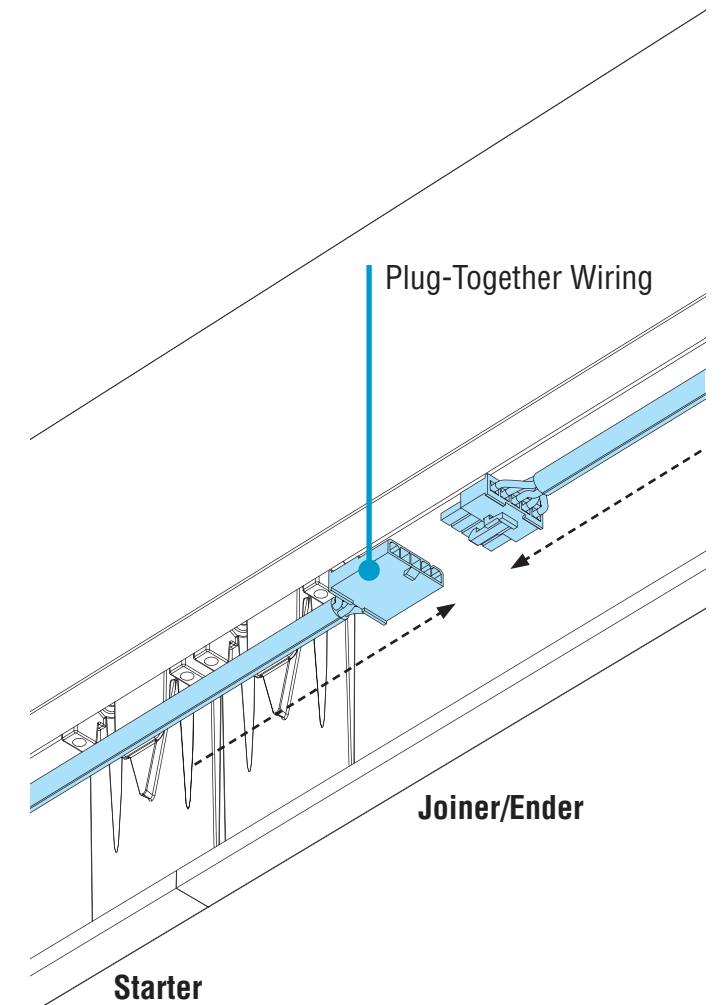


YOKE SCREW ALIGNMENT Bottom-Up View



- **NOTE:** Yoke screws should be installed directly across from each other, not diagonally, and in holes furthest from the joint line. One yoke screw per one yoke bracket.

B. Make Electrical Connections Bottom-Up View



- Connect plug-together wiring.



Simple
Plug-Together
Wiring

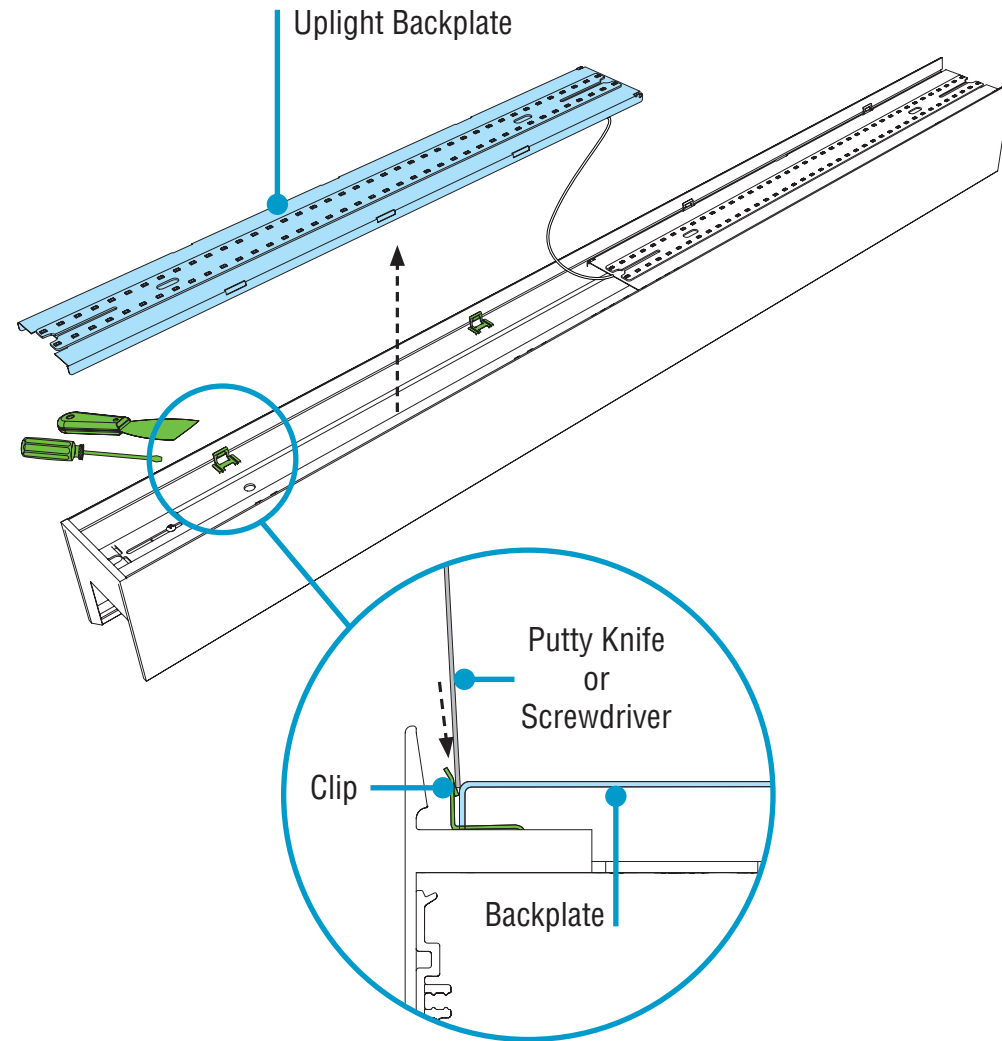


Universal &
Robust Joints

H04 Indirect/Direct Installation Instructions

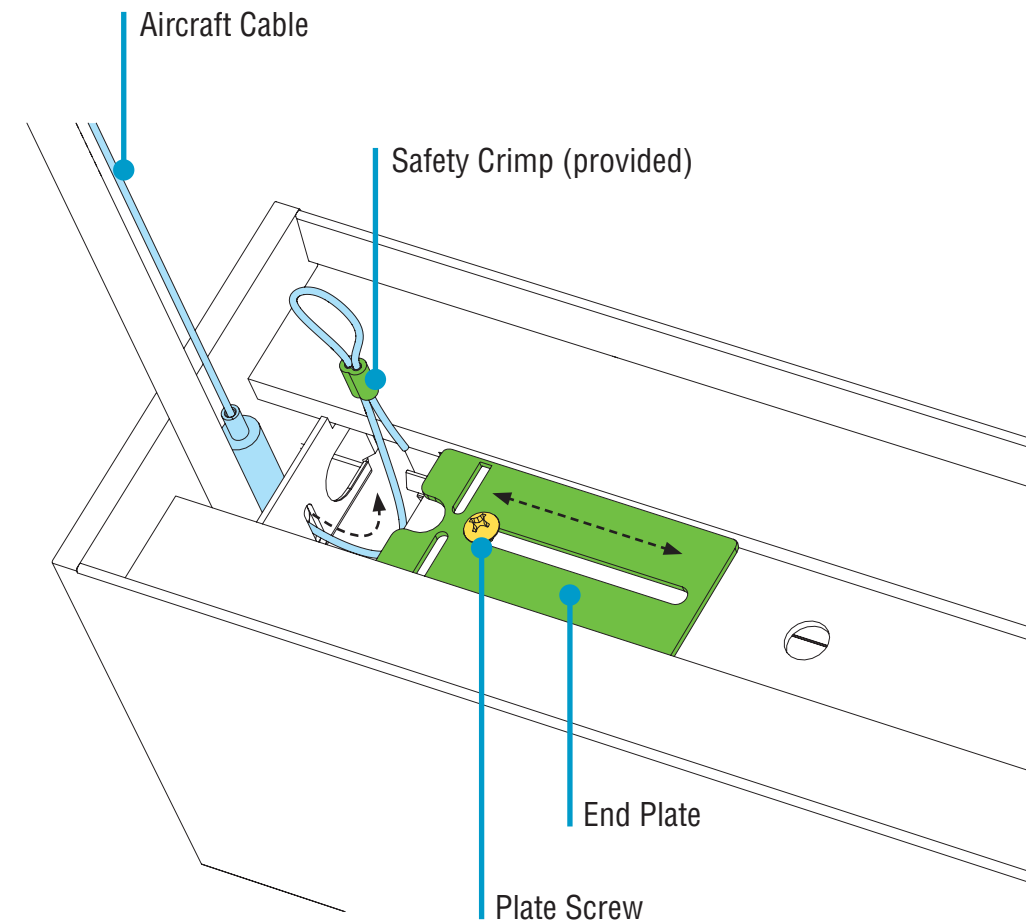
Step 6 - Closing Luminaires

A. Remove Uplight Backplate Top-Down View



- Use a putty knife or screwdriver to slip behind uplight backplate edges and release backplate from clips at each suspension points.
- Lift backplate out of housing channel, pulling wiring harnesses through the housing.
- Let backplate rest atop luminaire. **DO NOT** disconnect LED board harnesses.

B. Crimp Cable Top-Down View



- Ensure all leveling has been performed prior to applying safety crimp.
- Loosen (**but do not remove**) plate screw and slide end plate open.
- Loop aircraft cable through safety crimp.
- Crimp, cut excess cable, and tuck back into luminaire body.
- Close end plate and tighten plate screw to secure. Typical for each aircraft cable.
- Replace uplight backplates by snapping back into clips.



CONTINUED

H04 Indirect/Direct Installation Instructions

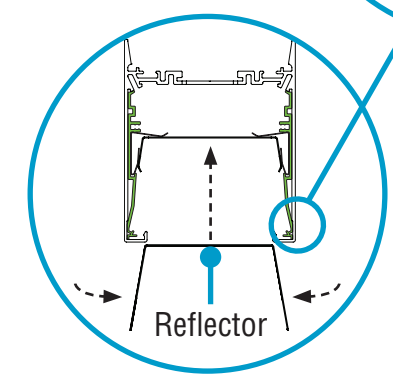
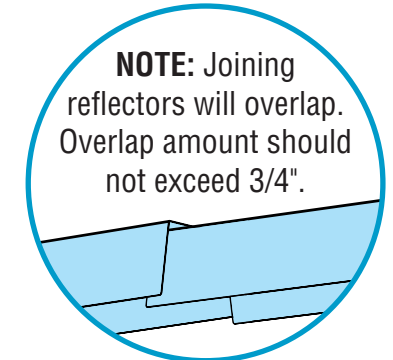
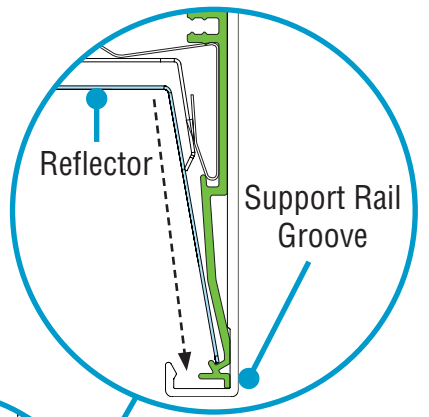
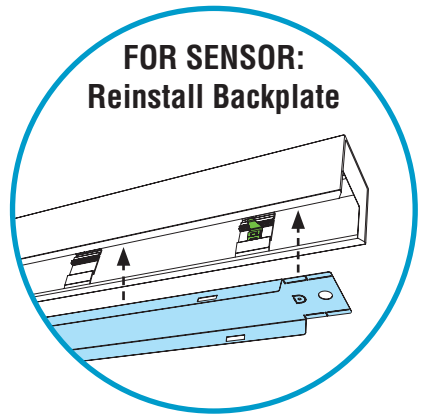
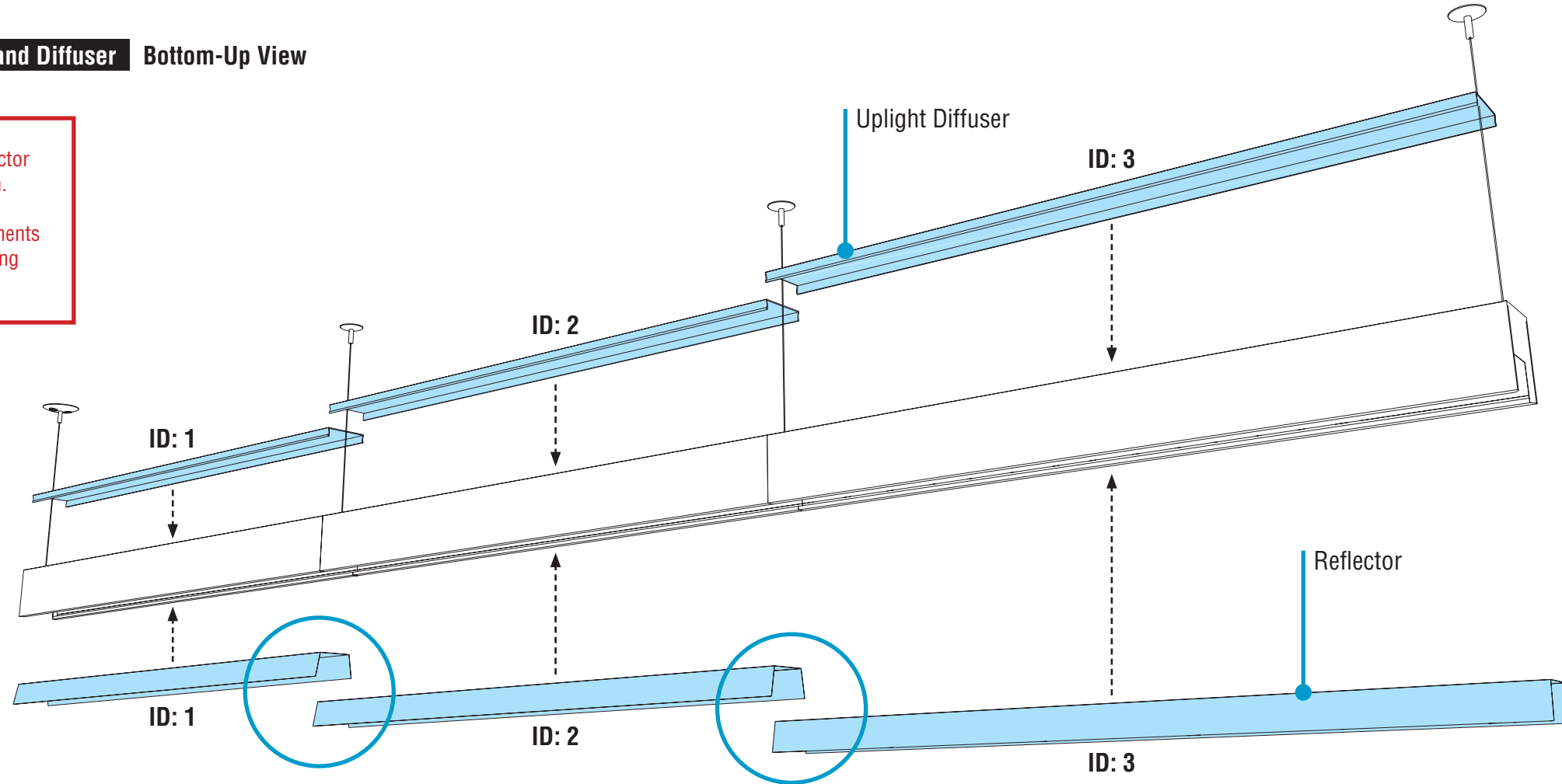
Step 6 - Closing Luminaires

C. Final Step - Install Reflector and Diffuser Bottom-Up View



CAUTION

Wear gloves to keep reflector and diffuser surface clean. Be careful not to crease material. Make all adjustments to placement before settling on final position.



- **NOTE:** If your installation includes a battery backup, please see addendum (98333) that should be included with your kitting package.
- **FOR SENSOR:** If luminaire contains a sensor at joint, reinstall backplate by rotating into luminaire body and snapping into clips. Then refer to page 6 of Sensor Addendum before Closing Luminaires.
- Remove reflectors and diffusers from protective plastic bag prior to installing.
- **CRITICAL:** Be sure to install correct reflector and diffuser to its corresponding luminaire ID.
- Install uplight diffuser into luminaire body, ensuring it snaps in place.
- Install reflector by squeezing in sides and inserting into luminaire body.
- Ensure reflector is pulled down so that its bottom edges catch the groove of the support rail.
- **NOTE:** Reflectors installed in joiner and ender luminaires are 3/4" longer. When installing the reflectors, overlap the reflector of the previous luminaire section by 3/4".
- Turn power on to luminaires.



Reflector Installation