

H04 LED Engine Replacement Instructions

Overview

NOTES

- Ensure that reflectors do not get dirty or damaged.
- All power connections should be installed according to local/national codes by a Certified Electrician.



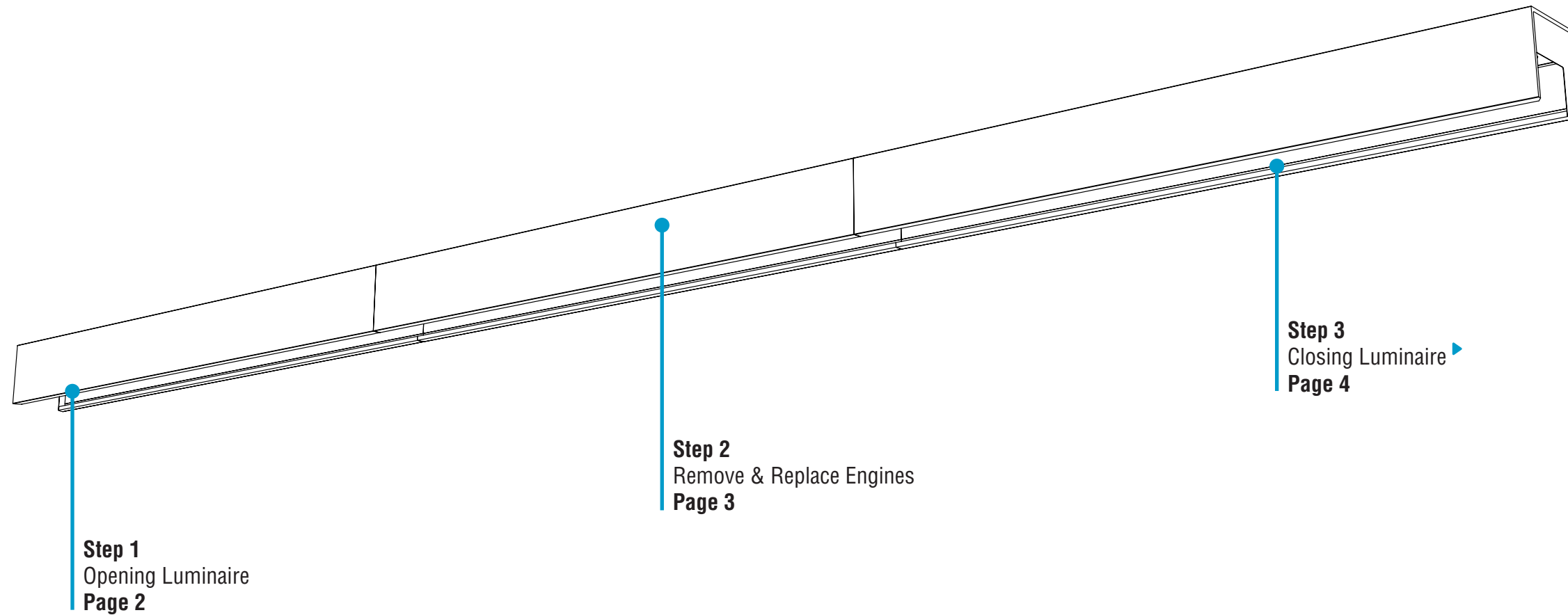
HELPFUL
VIDEOS



0-10V
Dimming



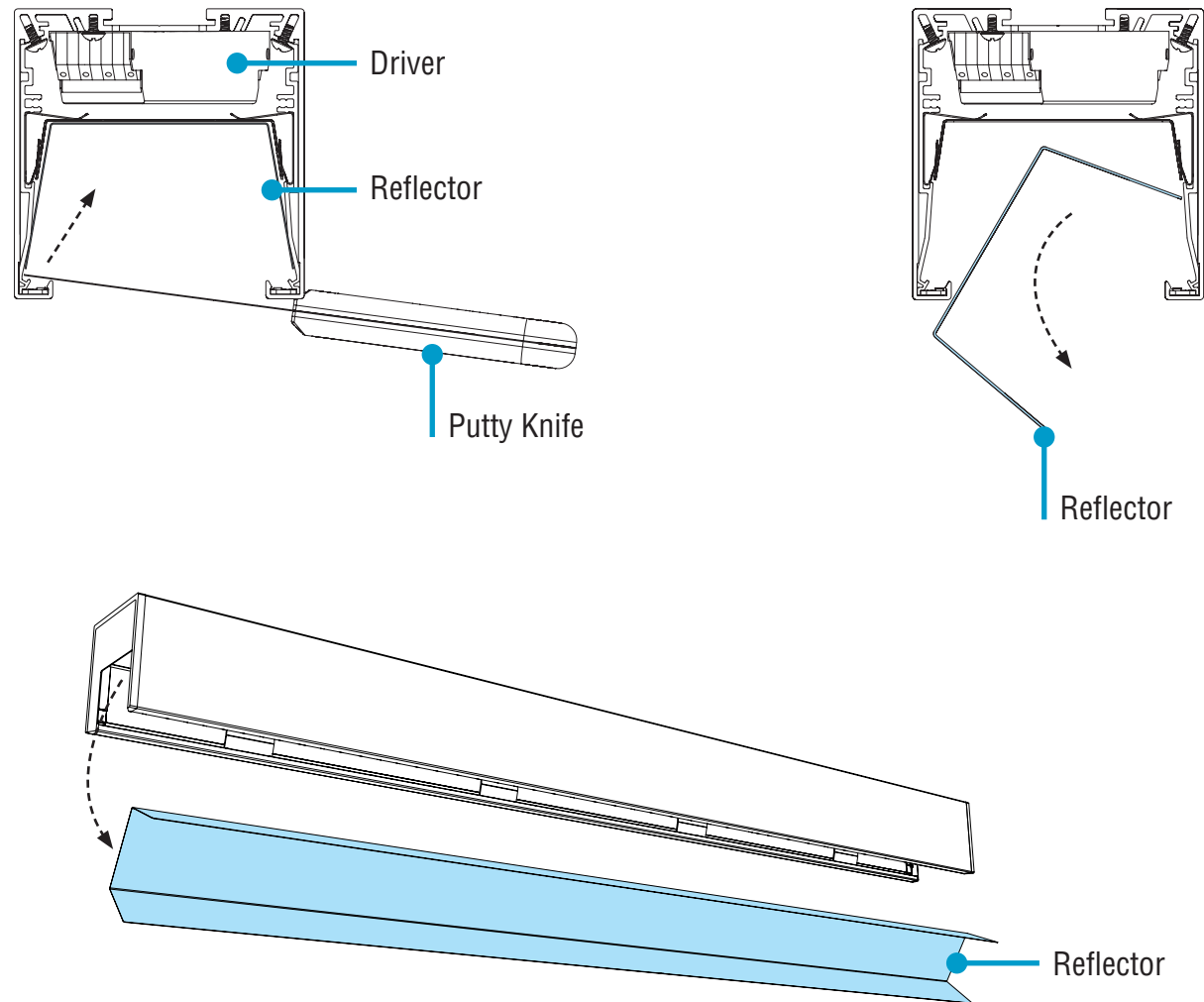
Reflector
Installation



H04 LED Engine Replacement Instructions

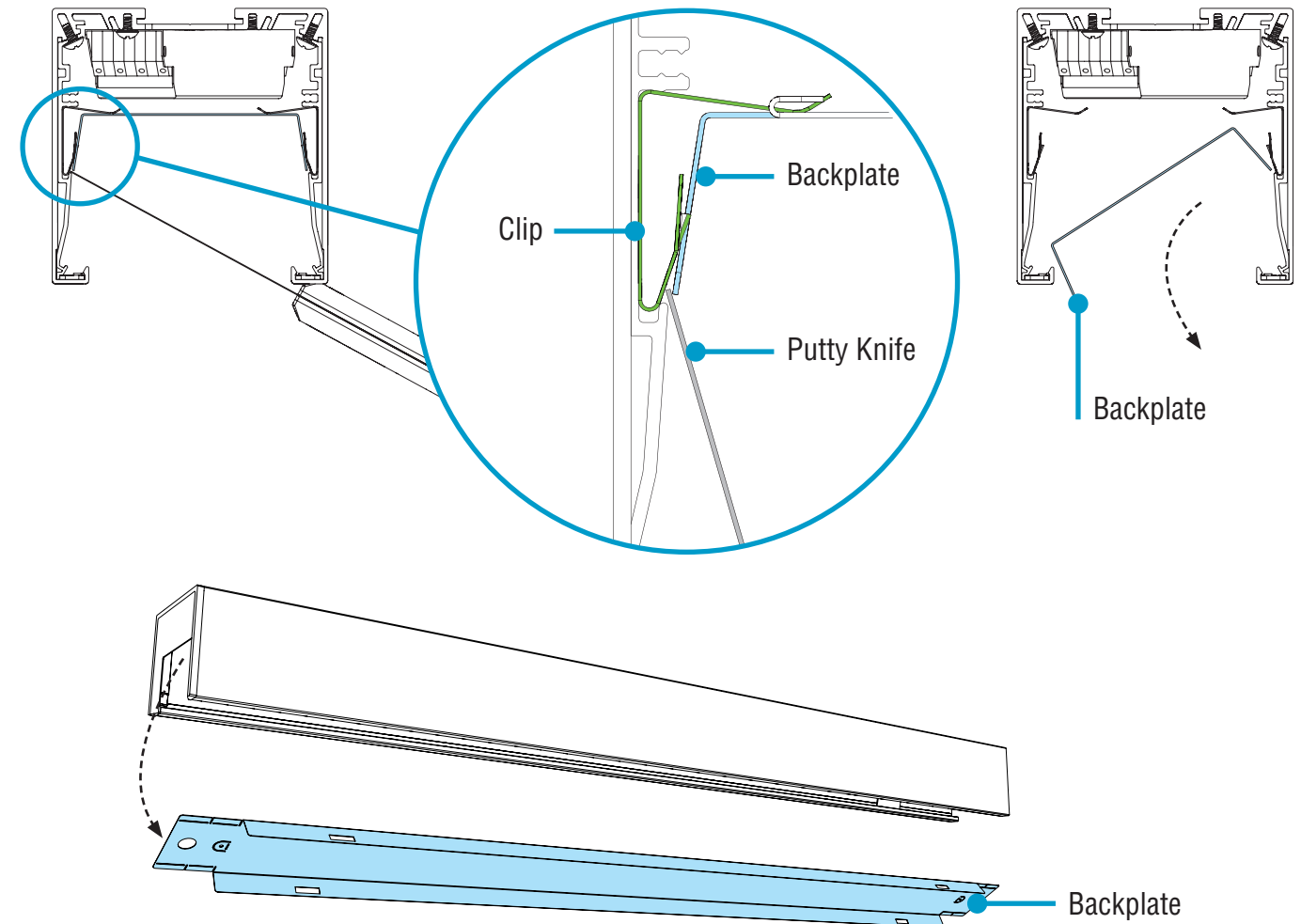
Step 1 - Opening Luminaire

A. Remove Reflector



- Turn power off to luminaire.
- **CAUTION:** Wear gloves to keep reflector surface clean.
- Remove reflector by carefully placing a flat edge (such as a clean putty knife) between the reflector and luminaire body.
- Push slightly up, and angle out.

B. Remove Backplate

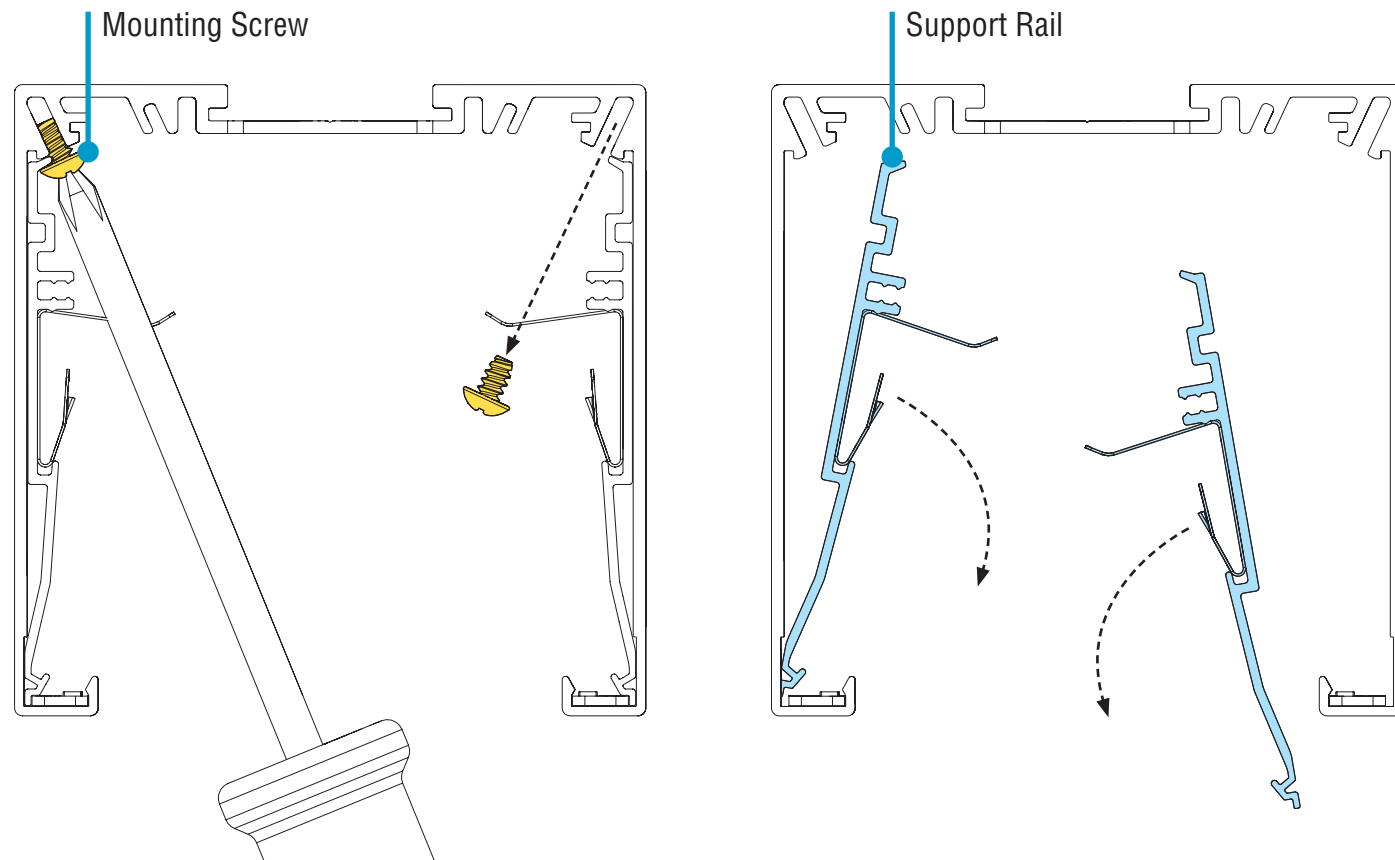


- Use putty knife to slip behind backplate edges and release backplates from clips (4 clips per backplate).

H04 LED Engine Replacement Instructions

Step 2 - Remove & Replace Engines

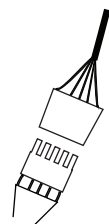
A. Remove Support Rails



- Release support rails from luminaire body by removing the mounting screws.
- Remove support rails (8 per luminaire body) and set aside.

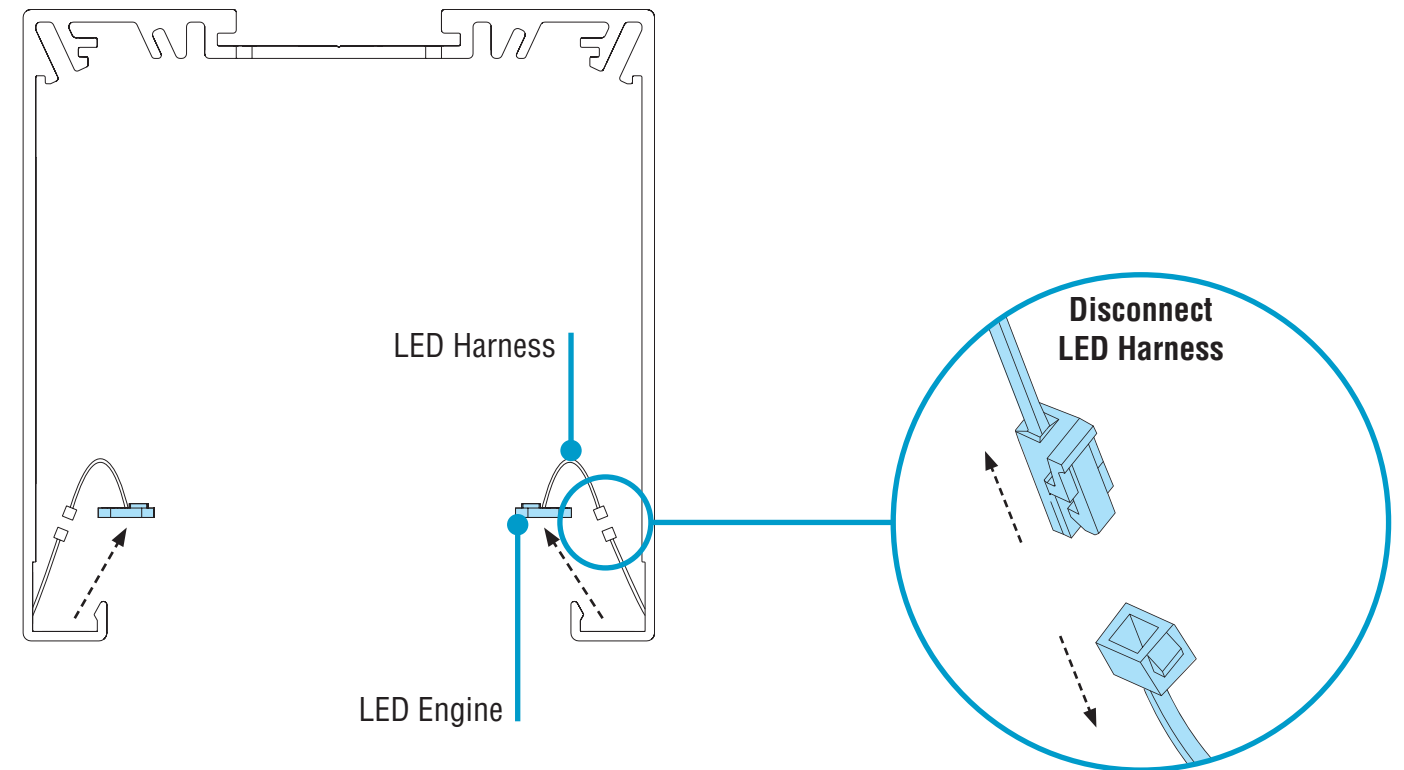


Mounting Screws
#8-18 x 1/4"



Driver Harness
Part # 15501

B. Remove & Replace LED Engines

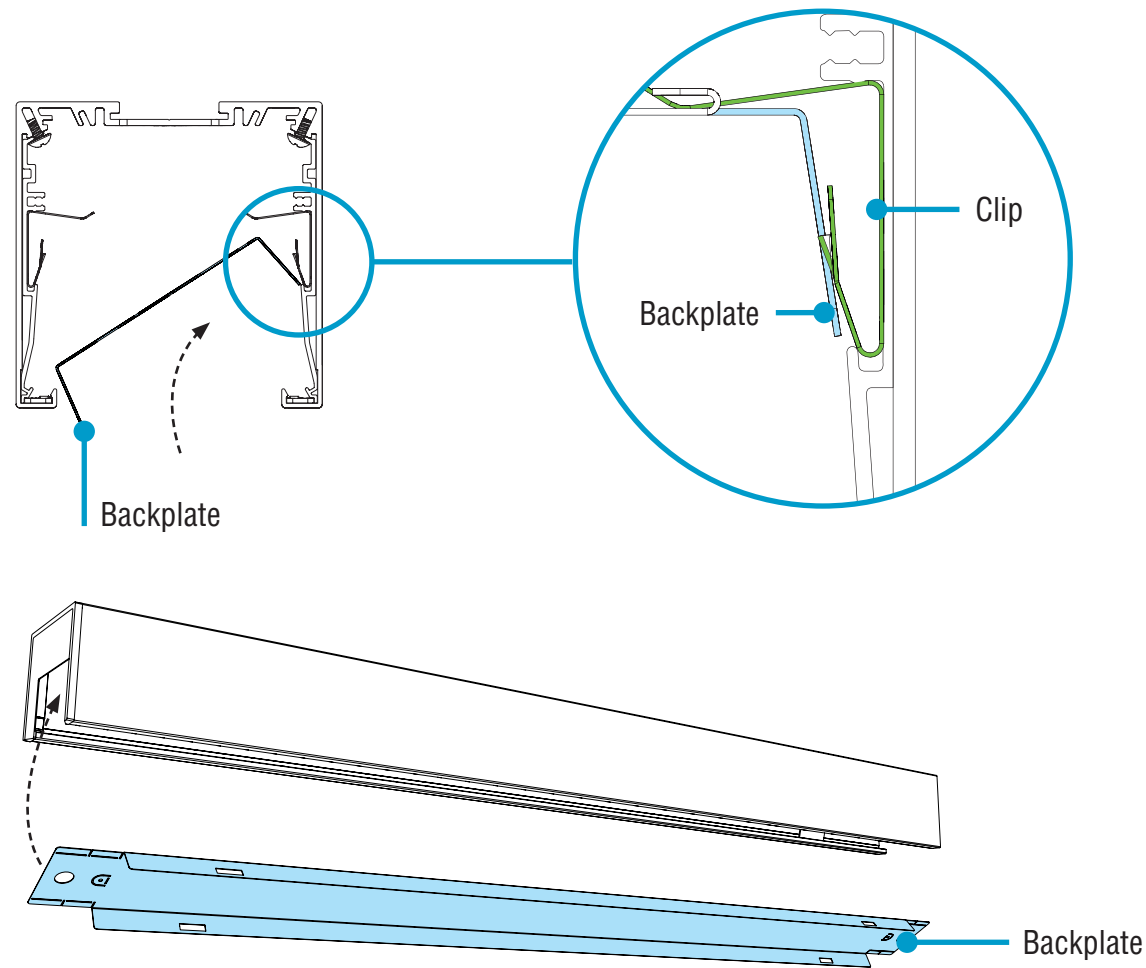


- **CRITICAL:** Ensure power to luminaire is turned off prior to removing LED engines.
- Disconnect LED harnesses.
- Remove old LED engine and replace with new LED engine.
- Reconnect LED harnesses.
- Replace support rails and secure with mounting screws.

H04 LED Engine Replacement Instructions

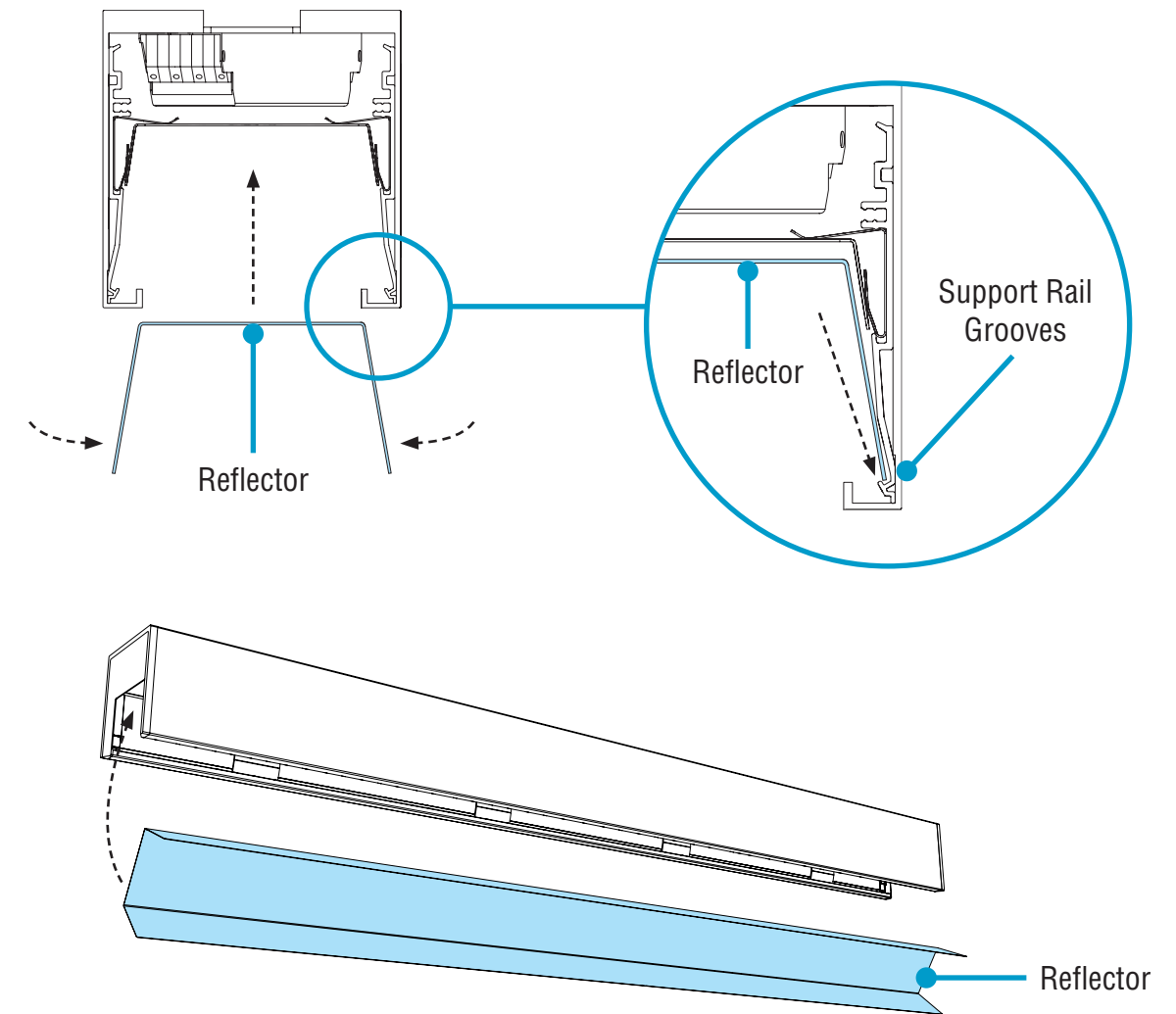
Step 3 - Closing Luminaire

A. Replace Backplate



- Replace backplate by rotating back into luminaire body and snapping into clips.

B. Final Step - Replace Reflector



- **CAUTION:** Wear gloves to keep reflector surface clean.
- Carefully replace reflector by squeezing sides and inserting into luminaire body.
- Ensure reflector is pulled down so that the bottom edges catch the groove of the support rail.
- **NOTE:** Reflectors installed in joiner and ender luminaires are 1/4" longer. When installing the reflectors, overlap the reflector of the previous luminaire section by 1/4".
- Turn power on to luminaires.



Reflector
Installation