

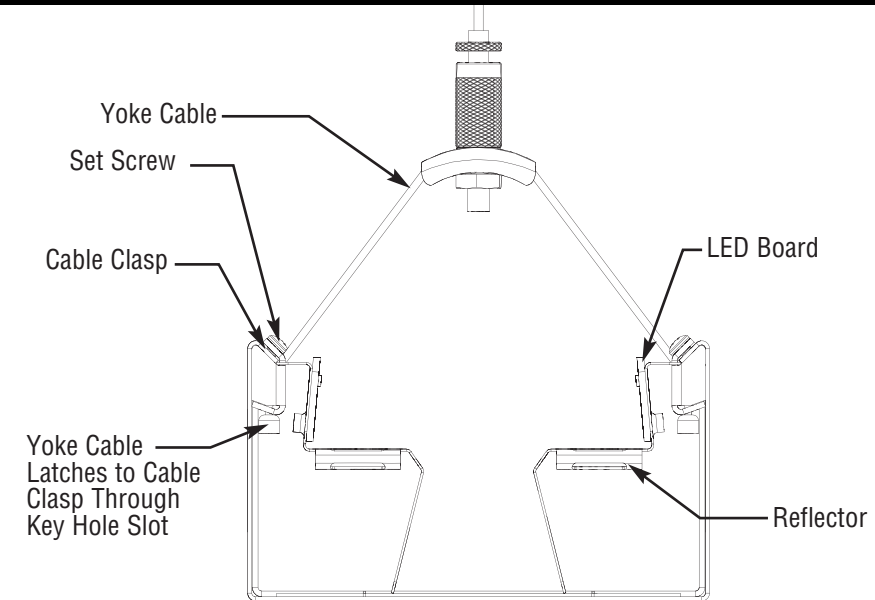
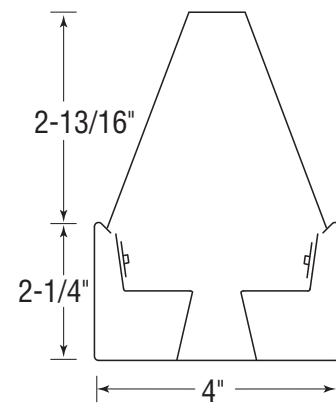
# Series 18 LED Flexible Mounting Starter/Independent Installation Instructions

Scan QR code for helpful video(s)

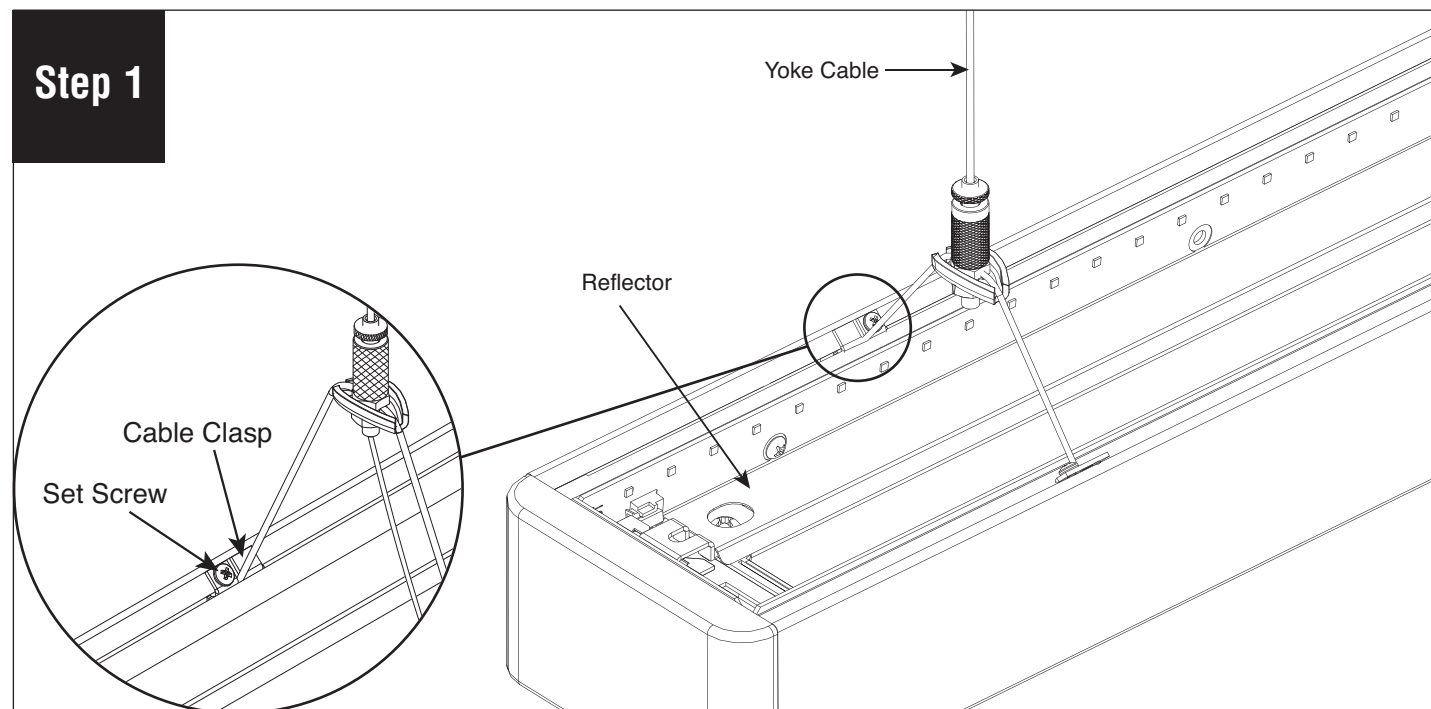


0 - 10V Dimming

## FLEXIBLE MOUNTING with CURVED BALANCER

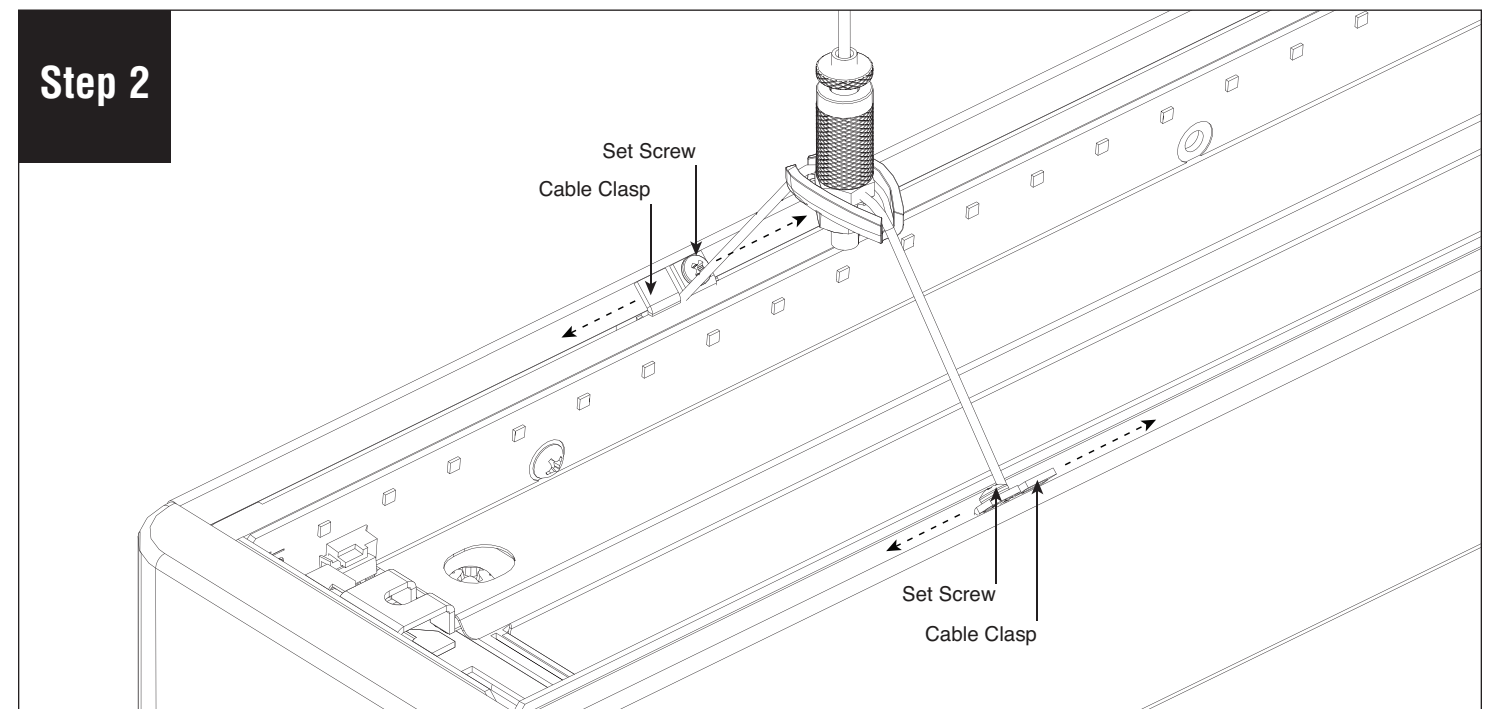


### Step 1



To adjust the position of the mounting point, use a Philip's head screwdriver to loosen cable clasp set screws without removing them.

### Step 2




Slide the cable clasps to desired position while keeping tension. Maximum distance from endcap: 1' on 4' body sections, 2' on 8' body sections. Retighten the set screws.

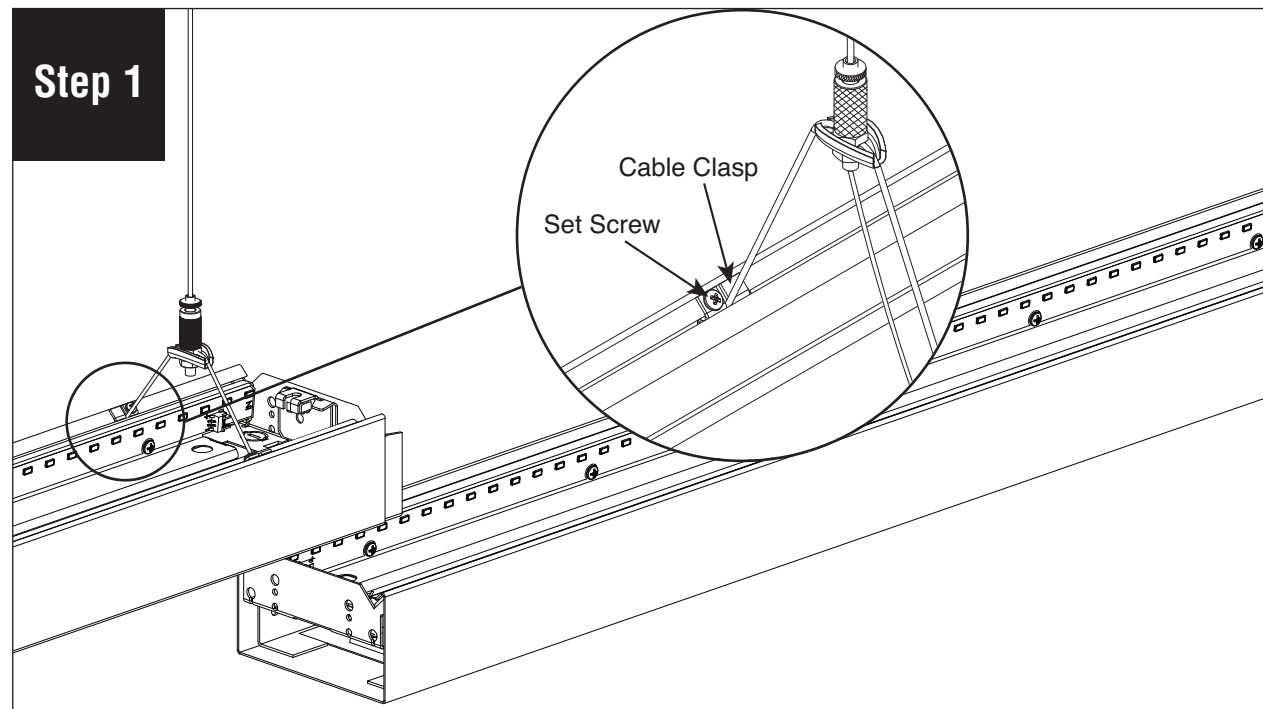
**Note:** All power connections to be installed to local/national codes by a Certified Electrician.

# Series 18 LED Flexible Mounting Joiner/Ender Installation Instructions

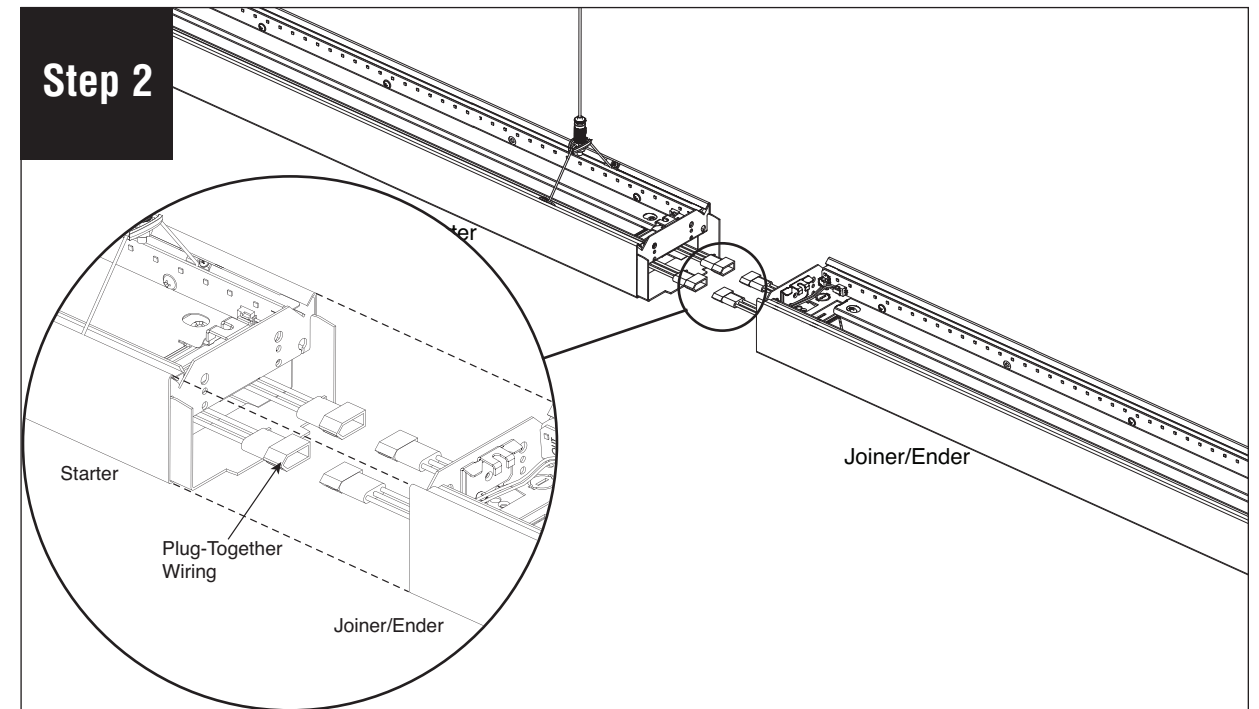
Scan QR code for helpful video(s)



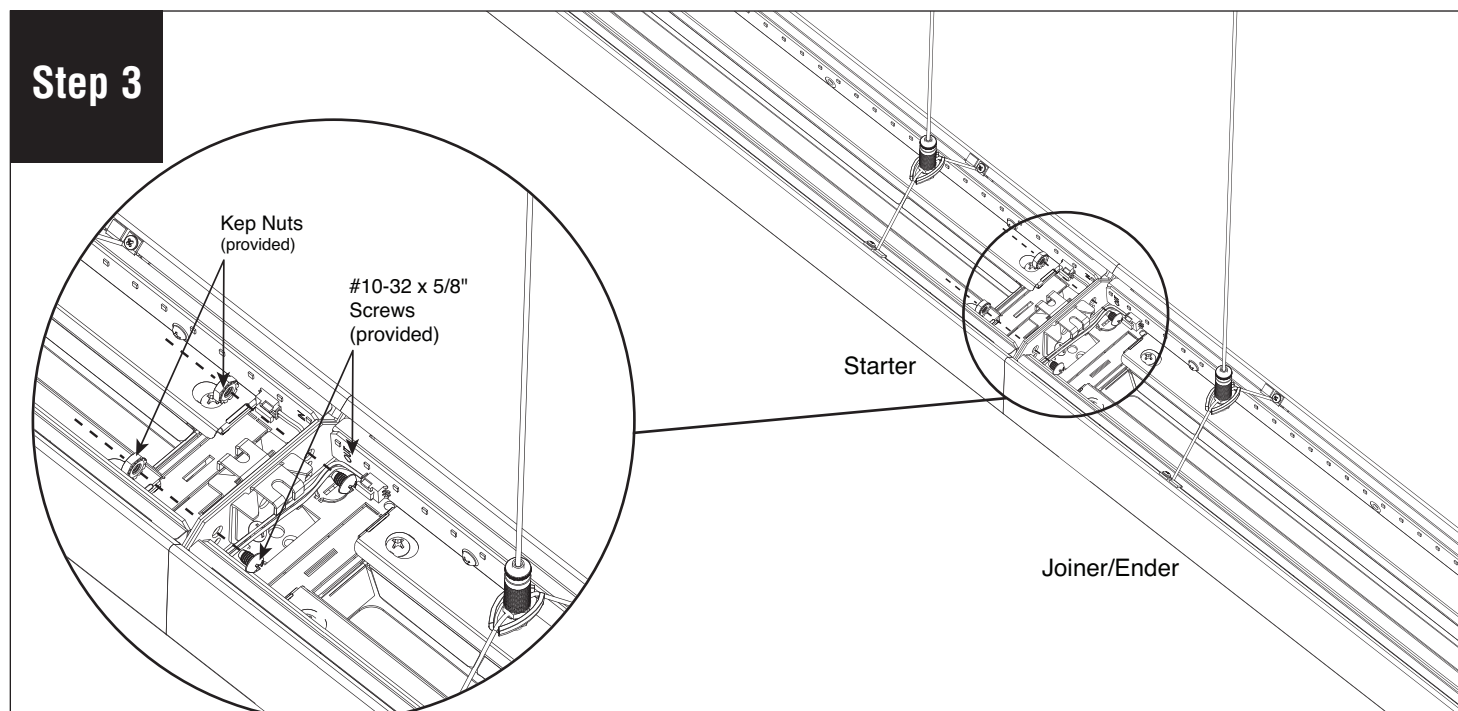
0 - 10V Dimming



To adjust the position of the mounting point, use a Philip's head screwdriver to loosen cable clasp set screws without removing them. Max distances of flexible mount location from end of body 1' for 4' body, 2' for 8' body.



Connect plug together wiring, then slide the luminaires together. Be careful not to damage wiring.



Secure joint with #10-32 x 5/8" screws (provided) and tighten kep nuts (provided). Level luminaire then turn power on.

**Note:** All power connections to be installed to local/national codes by a Certified Electrician.