

S17 LED ADA Wall Mount Installation Instructions

Overview

NOTES

- All power connections should be installed according to local/national codes by a Certified Electrician.
- This installation requires **proper support** as each luminaire is being installed.
- **DO NOT attempt to join luminaires together on the floor.** Damage may result when lifted.



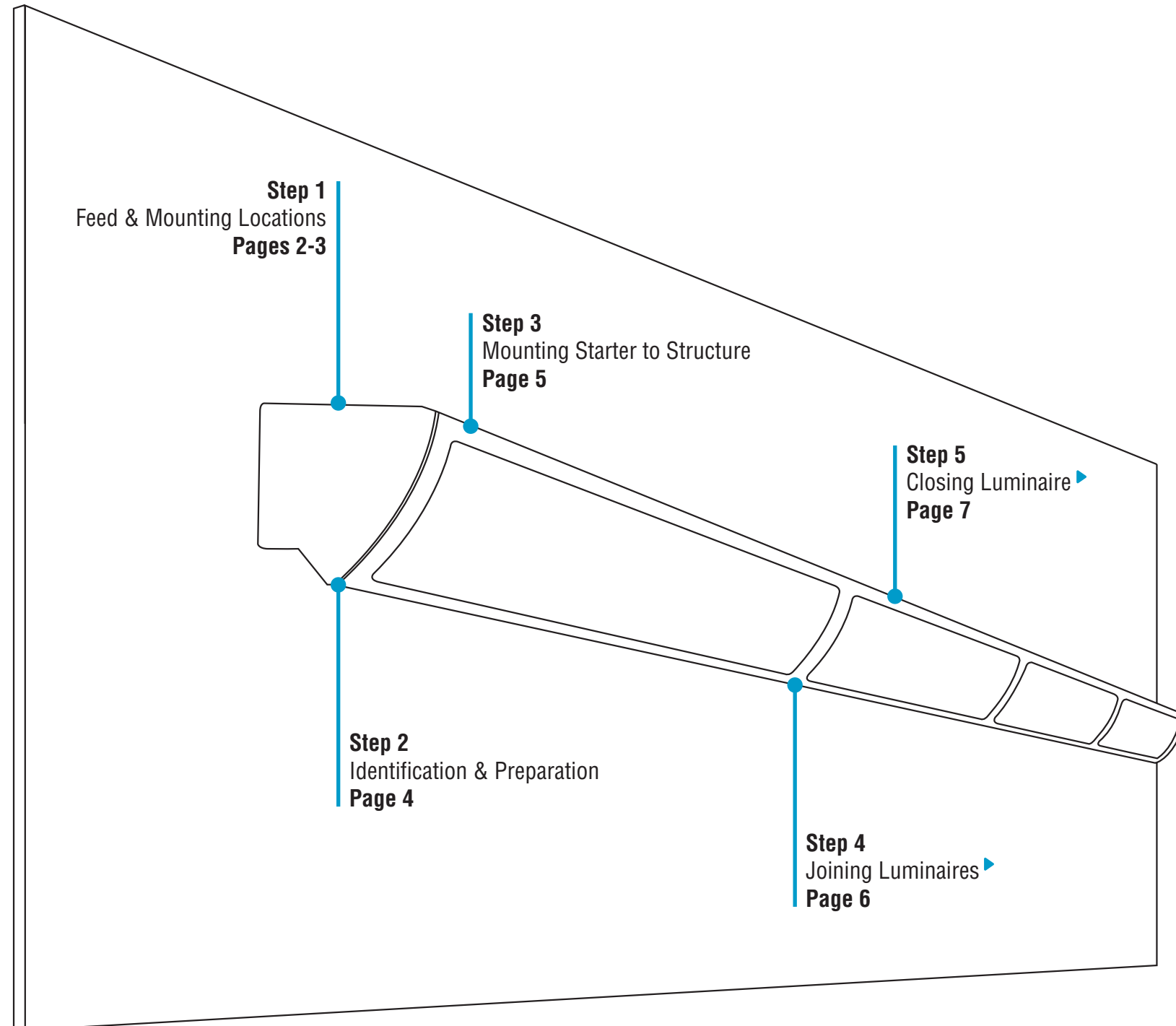
HELPFUL
VIDEOS



Simple
Plug-Together
Wiring



0-10V
Dimming

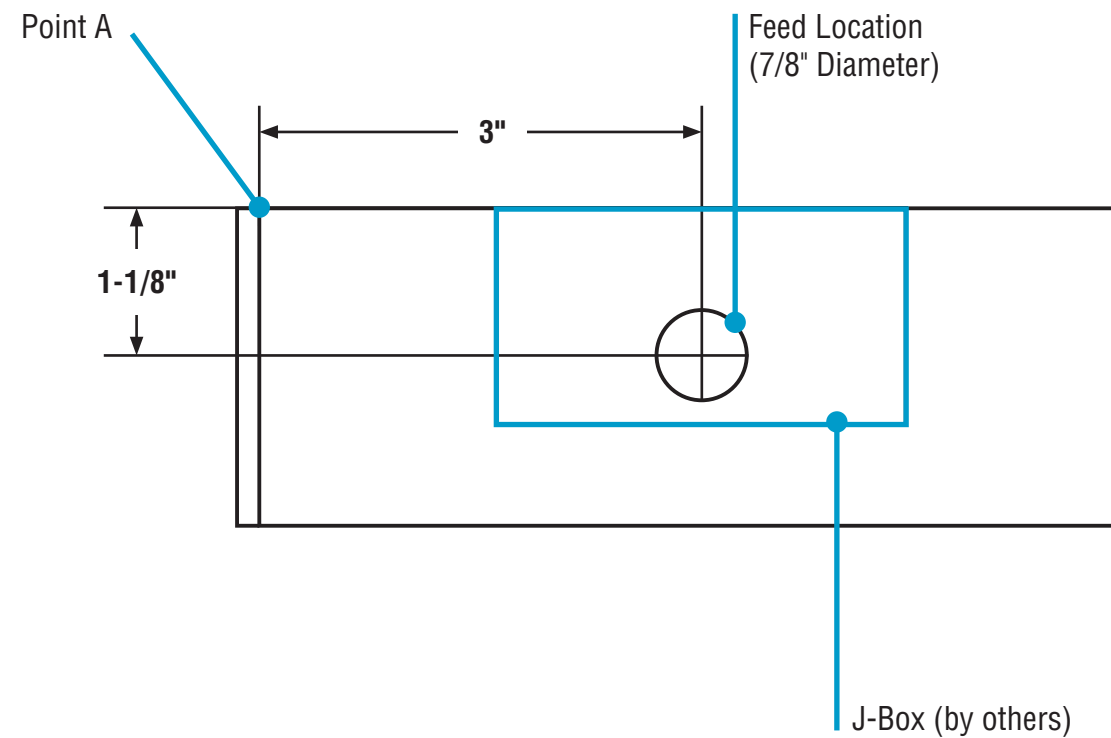


S17 LED ADA Wall Mount Installation Instructions

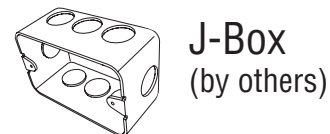
Step 1 - Feed & Mounting Locations

A. J-Box & Feed Location Side View

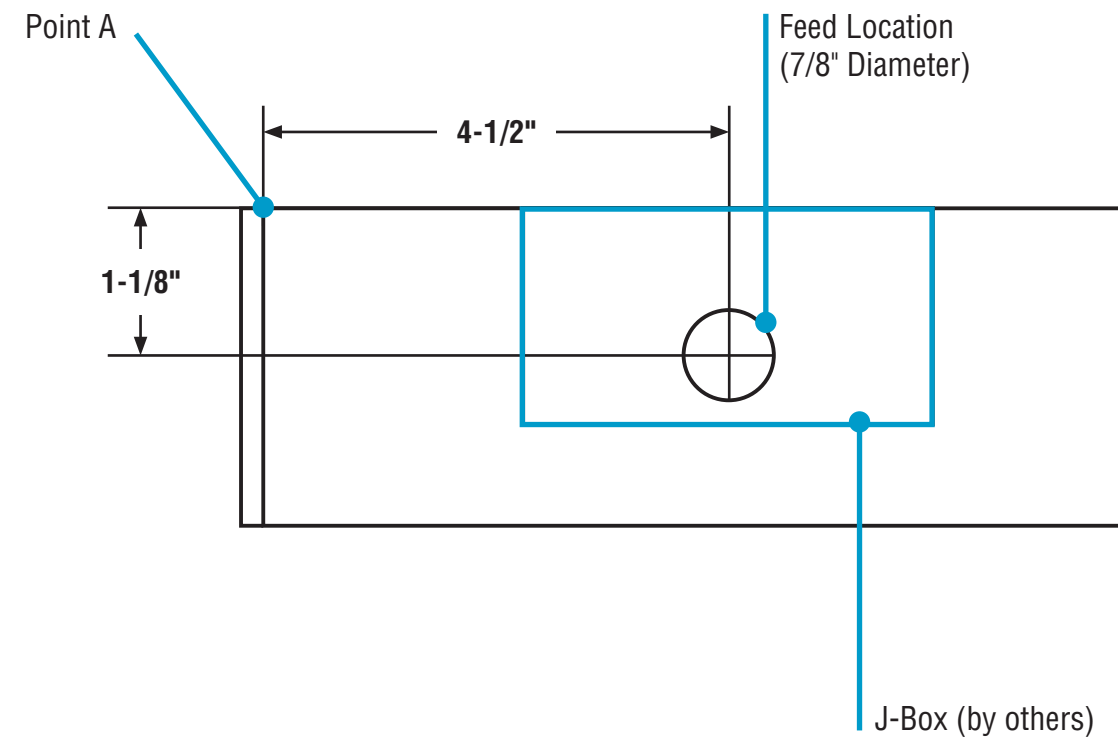
For 2' Luminaire



- Position luminaire on wall in desired location.
- Mark the top corner of the luminaire, not including the endcap. This is Point A.
- Determine feed location by measuring horizontal line 3" from Point A toward center of luminaire, then 1 1/8" down from top of luminaire. Mark this for the feed location.
- Install J-Box (must be flush to the wall) over feed location and align top of J-Box with Point A.
- **NOTE:** Leave 8-10" of flex conduit exposed.



For 3', 4', & 8' Luminaires



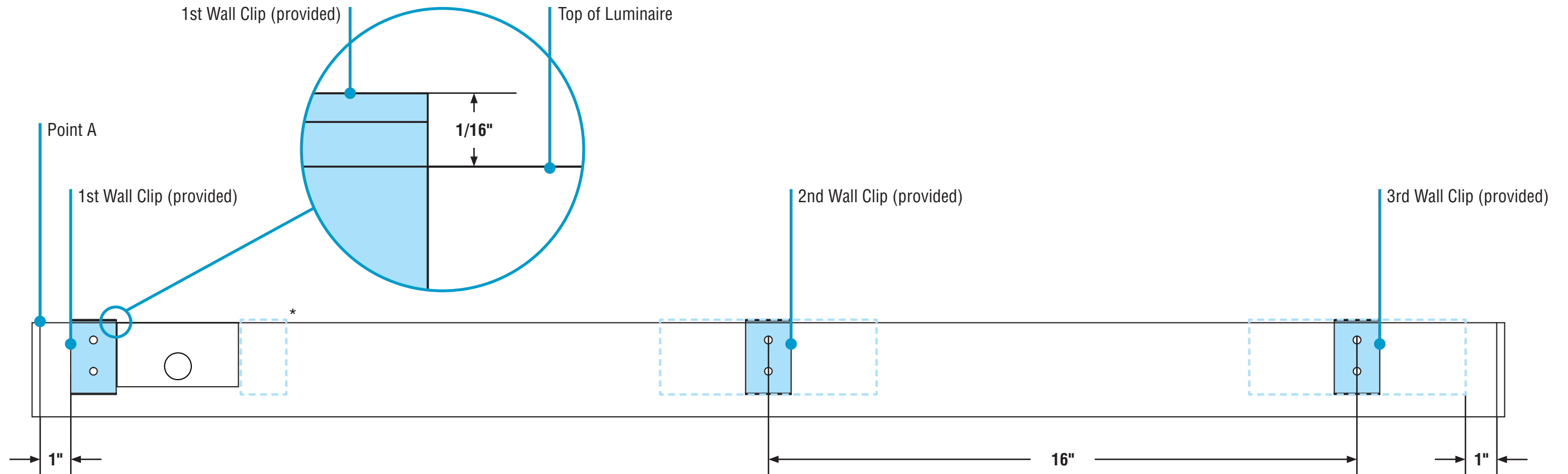
- Position luminaire on wall in desired location.
- Mark the top corner of the luminaire, not including the endcap. This is Point A.
- Determine feed location by measuring horizontal line 4-1/2" from Point A toward center of luminaire, then 1 1/8" down from top of luminaire. Mark this for the feed location.
- Install J-Box (must be flush to the wall) over feed location and align top of J-Box with Point A.
- **NOTE:** Leave 8-10" of flex conduit exposed.

CONTINUED

S17 LED ADA Wall Mount Installation Instructions

Step 1 - Feed & Mounting Locations

B. Mounting Locations Side View



- Position 1st wall clip* 1" horizontal and 1/16" above Point A. Mark this location.
- Position additional wall clips at distances and locations indicated above. Mark their locations.
- **CRITICAL:** Be sure wall clips are level.
- Use two #10 or #12 x 1/2" screws to secure all wall clips to studs or appropriate backing.

Luminaire Length	Wall Clips
2'	2
3'	2
4'	3
8'	6



* 1st wall clip can be positioned to left or right side of J-Box.

S17 LED ADA Wall Mount Installation Instructions

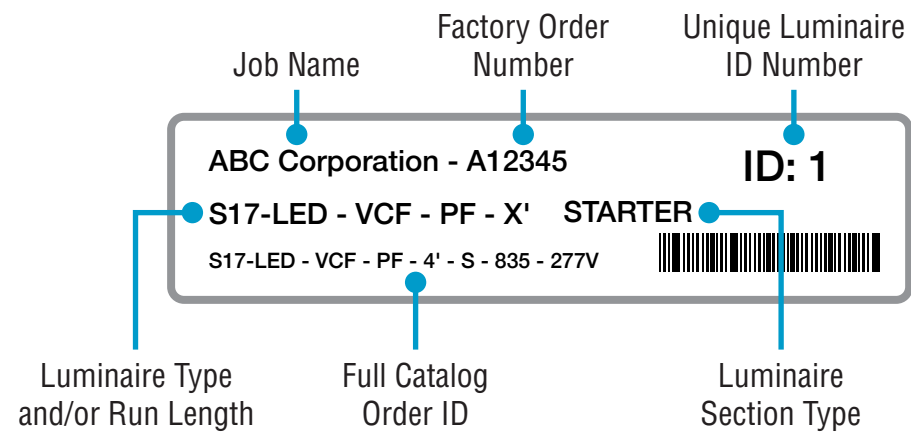
Step 2 - Identification & Preparation

A. Identify Luminaires



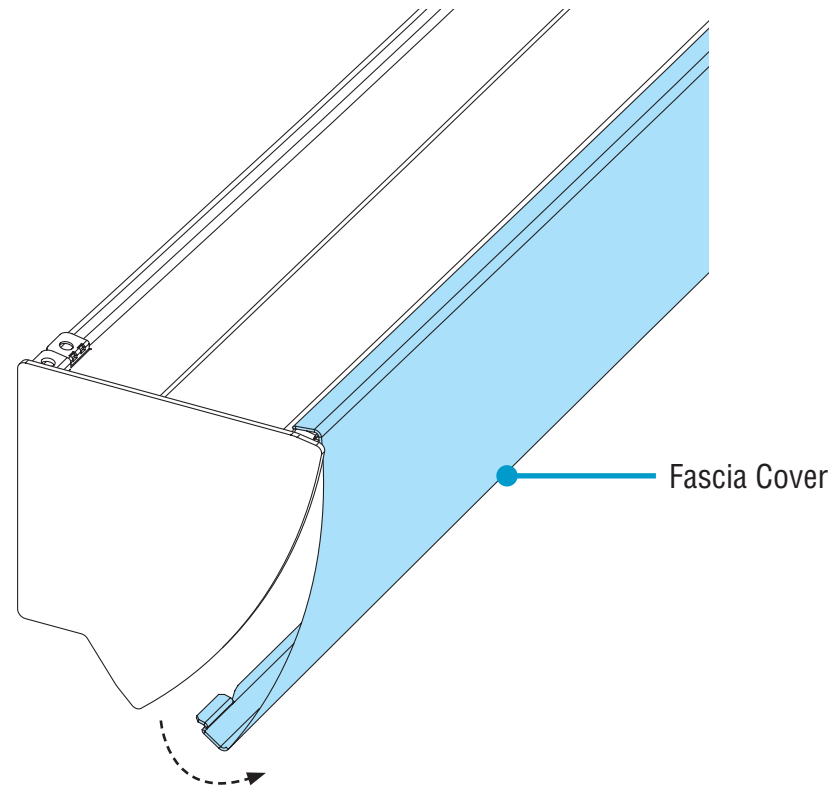
Arrange luminaires in order according to ID# at their install locations.

CAUTION



- Identify all luminaires by their ID label that can be found on the box and inside the luminaire.
- NOTE:** Exact location of labels in these areas may vary.
- Remove all luminaires from their box.
- Refer to Record Drawings that can be found in the hardware kit.

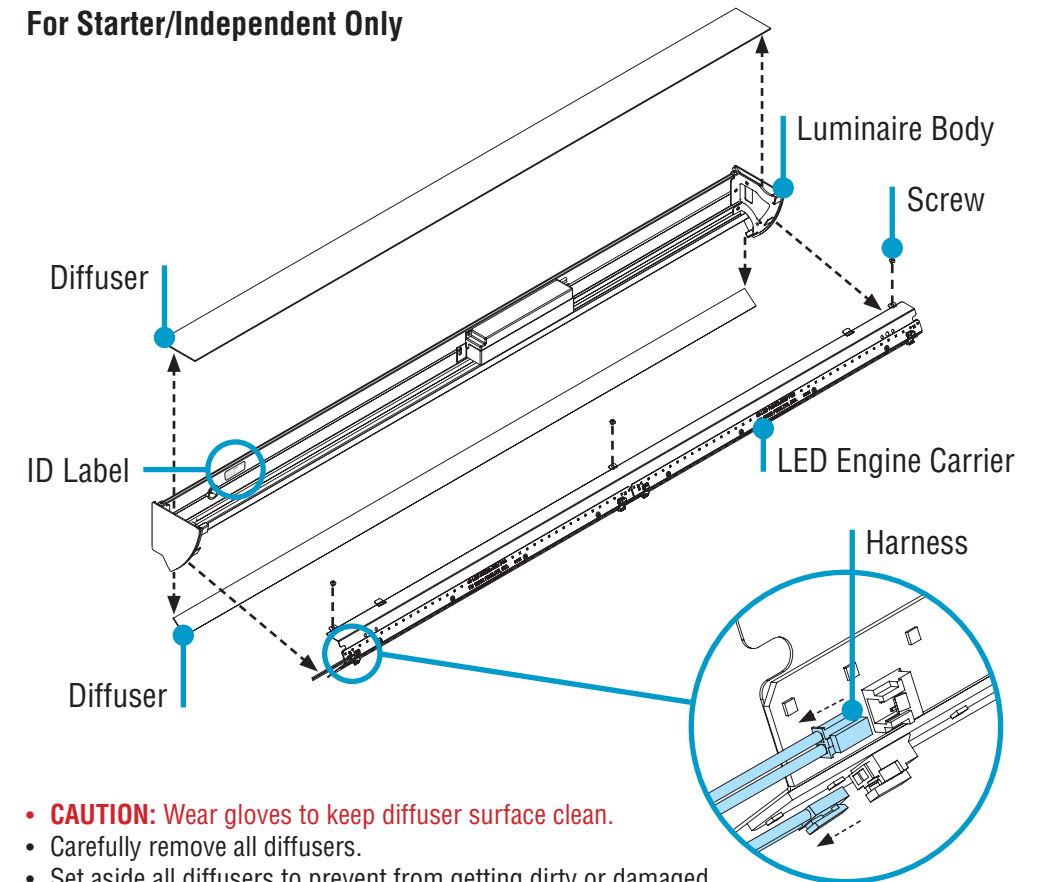
B. Remove Fascia Cover Top-Down View



- Remove fascia cover by carefully flexing fascia cover away from end brackets.

C. Remove Diffusers & LED Light Engine Carrier Top-Down View

For Starter/Independent Only



- CAUTION:** Wear gloves to keep diffuser surface clean.
- Carefully remove all diffusers.
- Set aside all diffusers to prevent from getting dirty or damaged.
- Disconnect harnesses from LED engine.
- Remove three screws that secure LED engine carrier to the luminaire body and remove LED engine carrier.
- Ensure diffusers and LED engine carriers can be clearly identified back to their corresponding luminaire.

Kitted Hardware

- Finelite has provided items listed here, with their Finelite part numbers. These items can be found in separate boxes shipped with the luminaire.
- Account for all parts and set aside until they are needed.
- All other hardware needed for this installation will be by others.



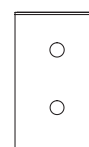
#8-18 Locking Screw
 Part# 94059
 Mounting Starter to Structure
 p. 5, Step 3
 Joining Luminaires
 p. 6, Step 4



#10-32 x 3/8 Screw
 Part# 92108
 Joining Luminaires
 p. 6, Step 4



#10-32 Kep Nut
 Part# 92013
 Joining Luminaires
 p. 6, Step 4

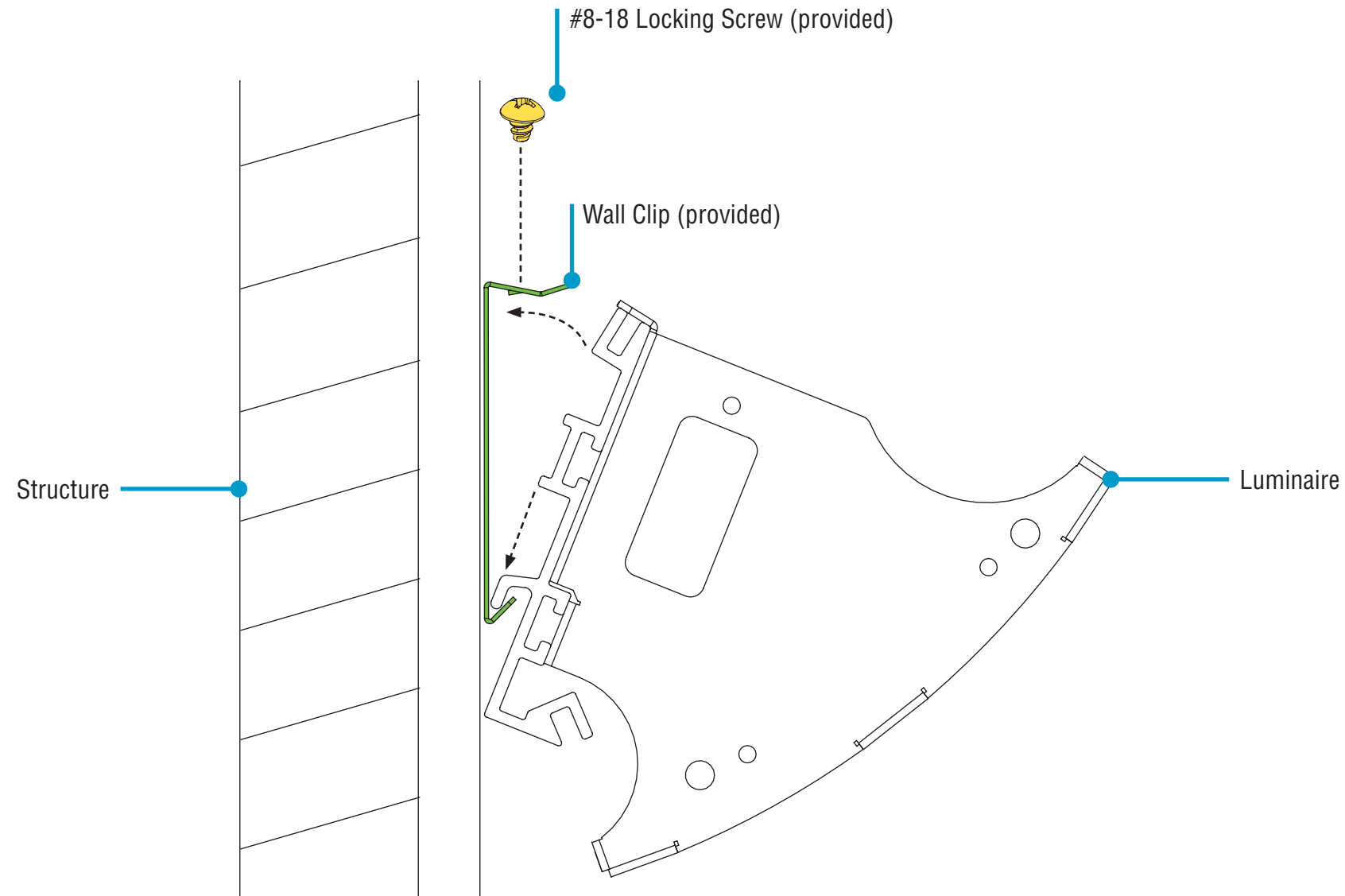


Wall Clip
 Part# 65060
 Feed & Mounting Locations
 p. 3, Step 1
 Mounting Starter to Structure
 p. 5, Step 3
 Joining Luminaires
 p. 6, Step 4


S17 LED ADA Wall Mount Installation Instructions

Step 3 - Mounting Starter to Structure

Mount Starter to Structure Side View



- Hold luminaire at slight angle and rotate to lock into wall clips.
- **NOTE:** Be sure to push flex conduit through feed location.
- If there is no joiner/ender, then secure starter luminaire to wall clip with #8-18 locking screws and perform leveling. Tightening the screw raises and loosening the screw lowers the front edge of the luminaire. **PROCEED TO STEP 5.**
- If continuing with a joiner luminaire, do not perform leveling yet. **PROCEED TO STEP 4.**

 #8-18 Locking Screw
(provided)

 Wall Clip
(provided)

S17 LED ADA Wall Mount Installation Instructions

Step 4 - Joining Luminaires

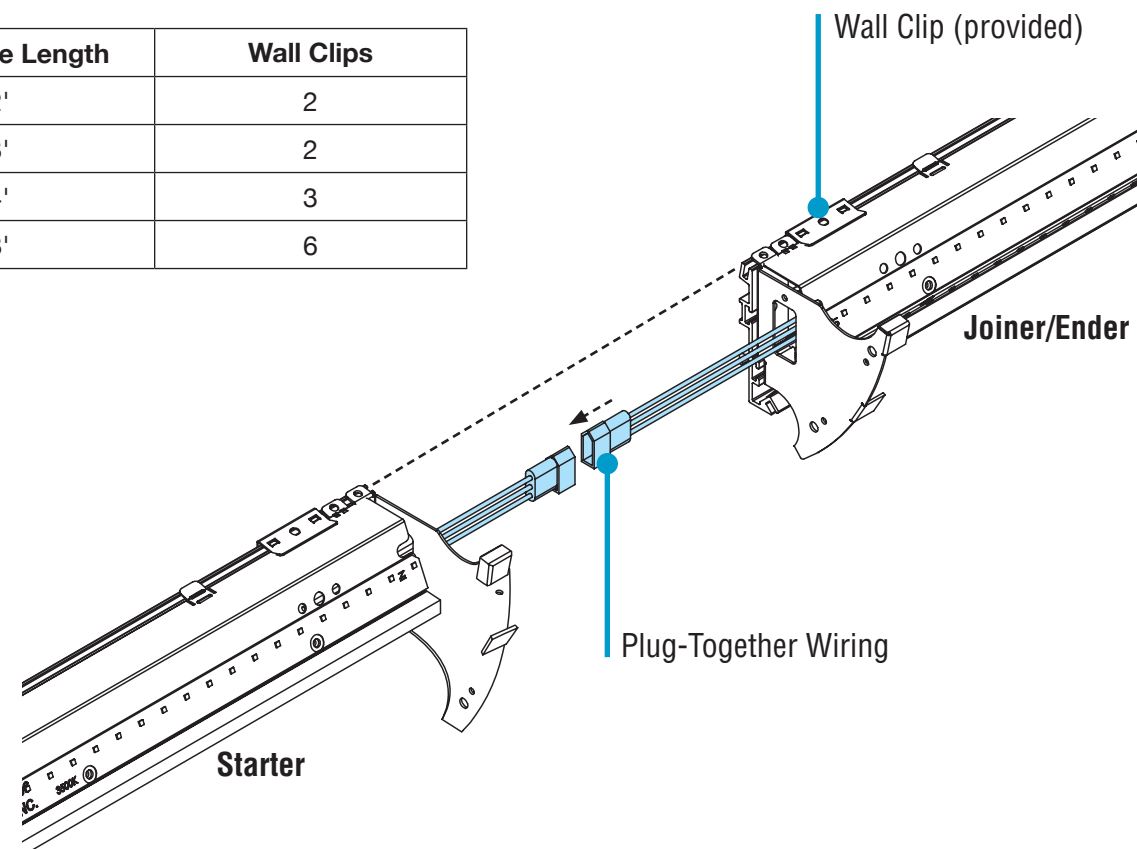
A. Join Luminaires Top-Down View



DO NOT attempt to join luminaires together on the floor. Damage may result when lifted. Follow these instructions.

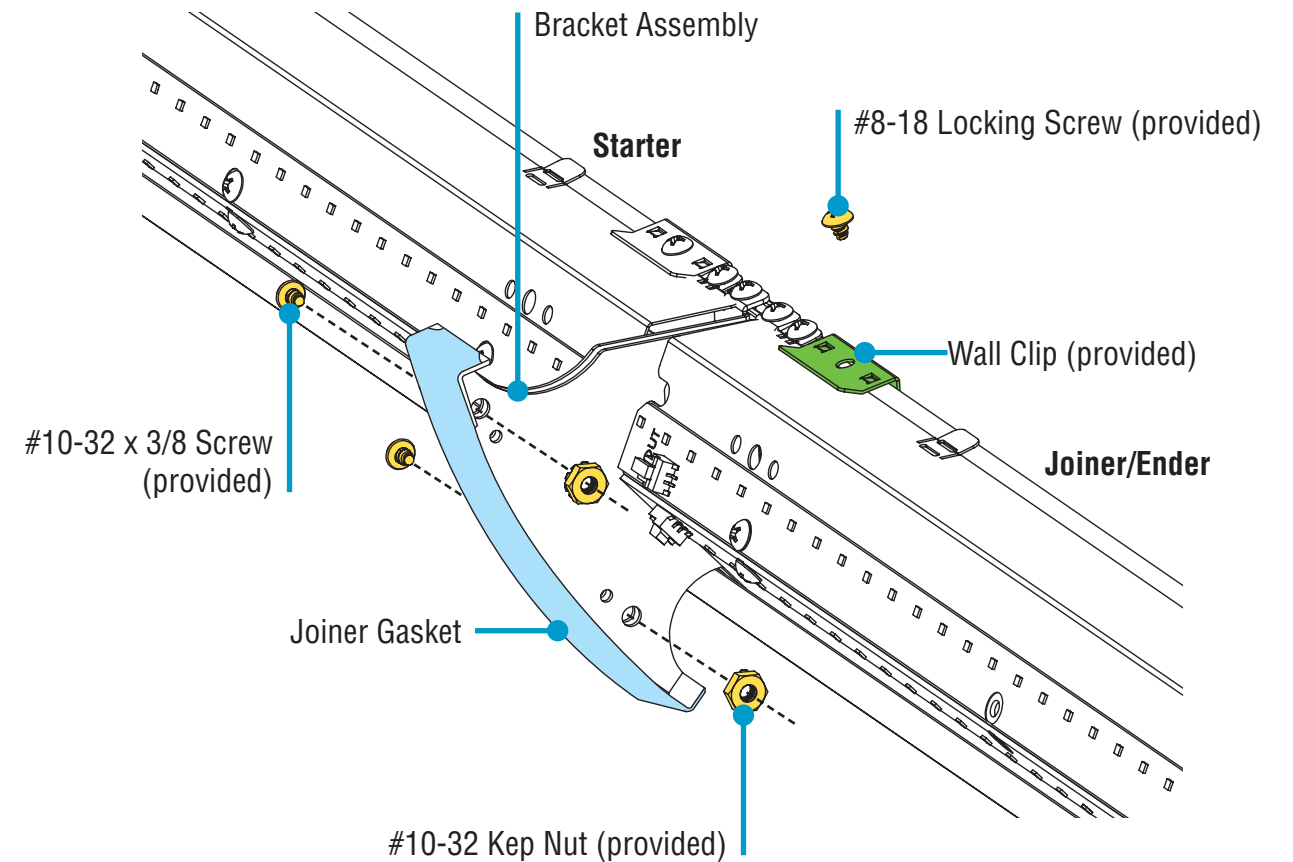
CAUTION

Luminaire Length	Wall Clips
2'	2
3'	2
4'	3
8'	6



- Use two #10 or #12 x 1/2" screws to secure additional wall clips to studs or appropriate backing.
- **CRITICAL:** Be sure wall clips are level.
- Remove fascia cover from joiner/ender by carefully flexing fascia cover away from end brackets.
- Connect plug together wiring and slide starter and joiner/ender together. Be careful not to damage wiring.

B. Mount Joiner/Ender to Structure Top-Down View



- Hold luminaire at slight angle and rotate to lock into wall clips.
- Secure the starter and joiner/ender together by using two #10-32 x 3/8 screws and #10-32 kep nuts.
- Insert locking screw into wall clip to lock fixture in place.
- Install joiner gasket on all bracket assemblies by hooking holes over top and bottom tabs to secure it in place.



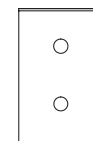
#8-18 Locking Screw
(provided)



#10-32 x 3/8 Screw
(provided)



#10-32 Kep Nut
(provided)



Wall Clip
(provided)



Simple
Plug-Together
Wiring

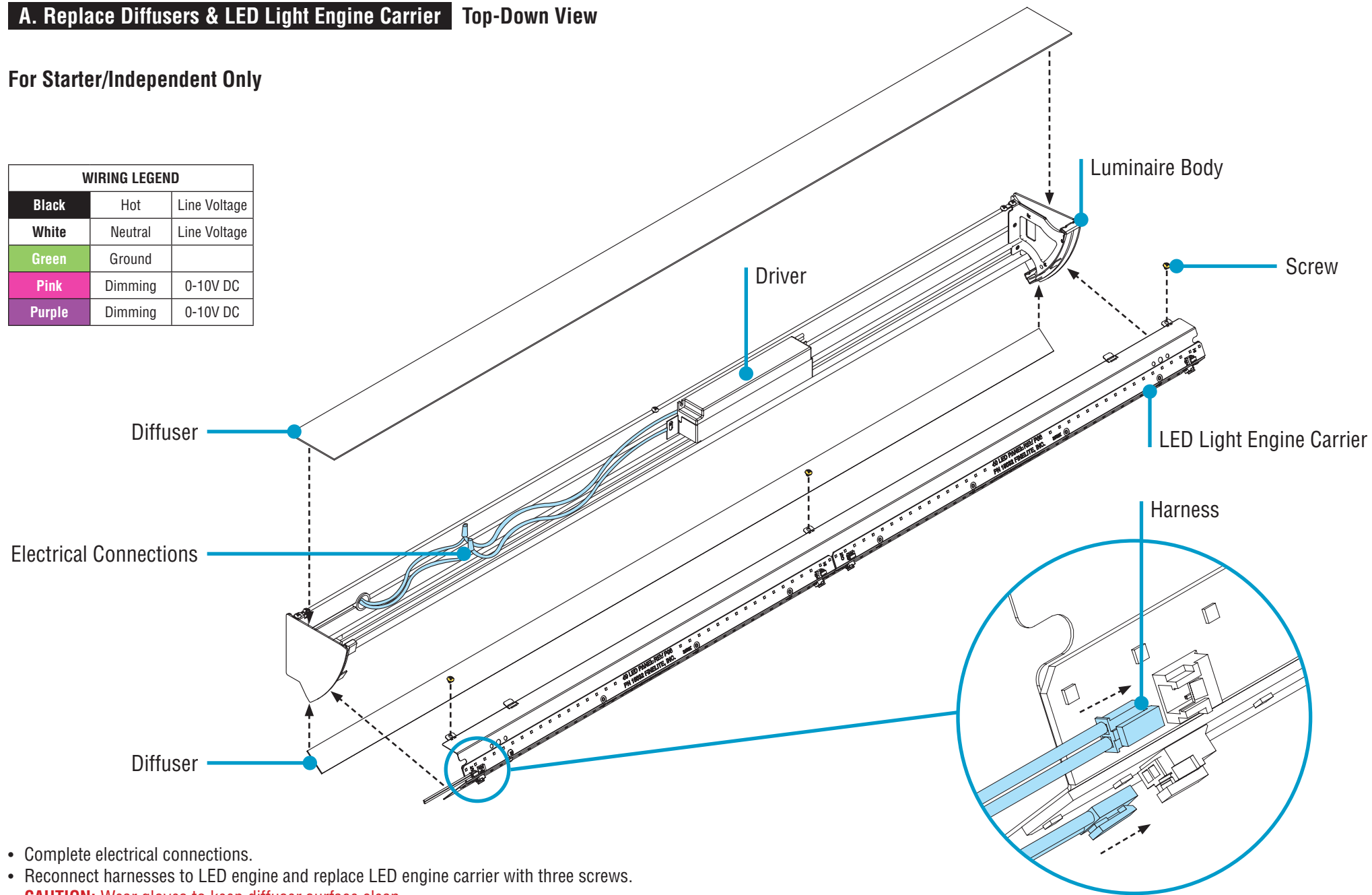
S17 LED ADA Wall Mount Installation Instructions

Step 5 - Closing Luminaire

A. Replace Diffusers & LED Light Engine Carrier Top-Down View

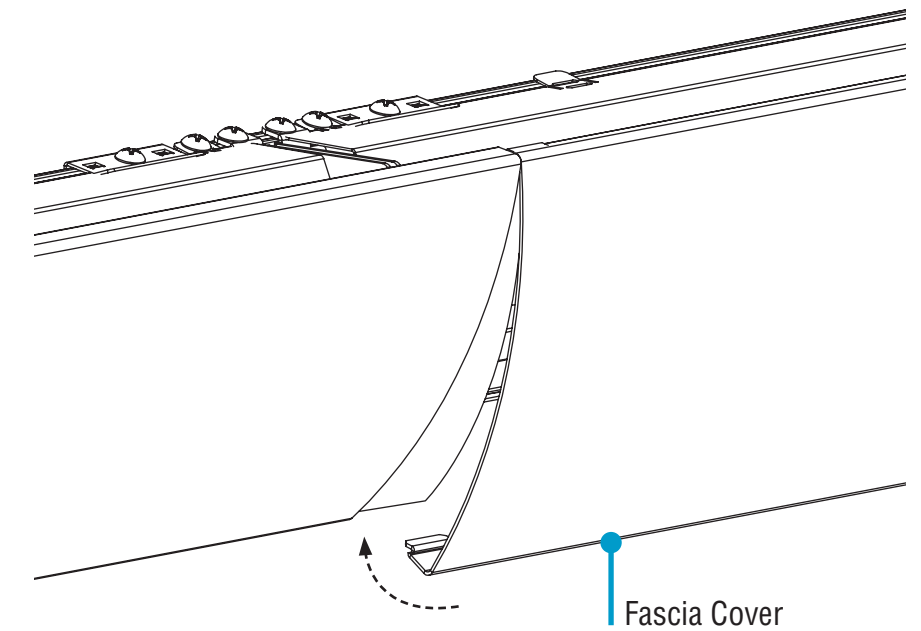
For Starter/Independent Only

WIRING LEGEND		
Black	Hot	Line Voltage
White	Neutral	Line Voltage
Green	Ground	
Pink	Dimming	0-10V DC
Purple	Dimming	0-10V DC



- Complete electrical connections.
- Reconnect harnesses to LED engine and replace LED engine carrier with three screws.
- **CAUTION:** Wear gloves to keep diffuser surface clean.
- Replace both diffusers.

B. Final Step - Replace Fascia Covers Side View



- **NOTE:** Replace two outermost fascia covers first.
- Replace fascia covers by carefully flexing fascia towards end brackets.
- Turn power on to luminaire.



0-10V
Dimming