



FINELITE

Tunable White High Performance Wall Grazer (HP-WG)



Declare.

Third Party Verified

Date

Project

Type

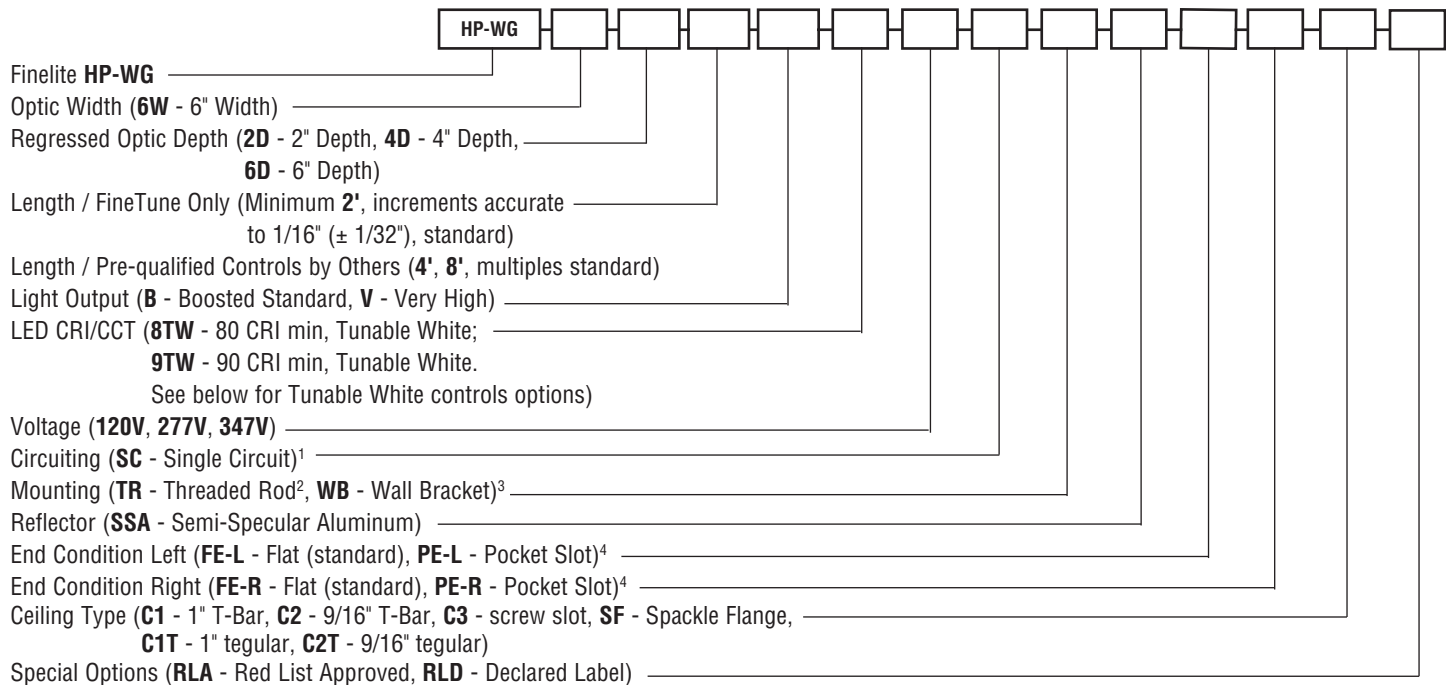
Comments



DESCRIPTION

The High Performance Wall Grazer (HP-WG) is a perimeter luminaire that creates a uniform grazing distribution of light down the vertical surface of a wall. The light separates the wall and the ceiling plane and accentuates relief and patterns of textured vertical surfaces. Available in 2", 4", and 6" regressed optic options. This Product is enrolled in the International Living Future Institute (ILFI) Declare 2.0 Program and is third-party verified with options achieving Red List Approved and Declared status.

ORDERING GUIDE Sample Number: HP-WG - 6W - 4D - 8' - V - 8TW - 120V - SC - TR - SSA - FE-L - FE-R - C1 - RLA



¹ Contact factory for switching options.
² Pre- or post-ceiling.

³ Pre-ceiling only.
⁴ The end condition on each side can be specified with different hardware options to accommodate different installation features. See page 4 for more information.

TUNABLE WHITE CONTROLS OPTIONS: SELECT ONE



FineTune controller with FineTune DMX Driver

OR

- Controls by others with pre-qualified DMX driver
- Controls by others with pre-qualified DALI driver
- Controls by others with pre-qualified PoE setup
- Controls by Lutron with pre-qualified Lutron driver

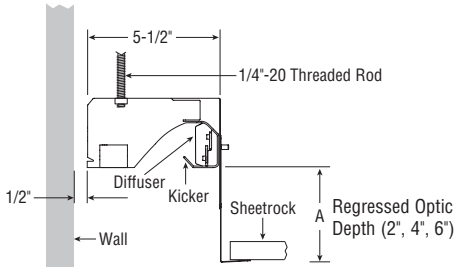
A brand of Legrand

FINELITE

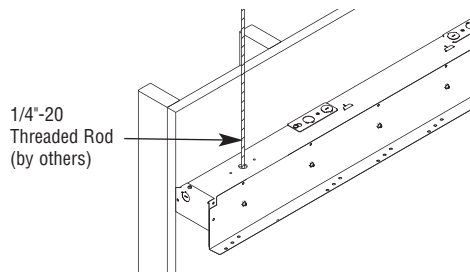
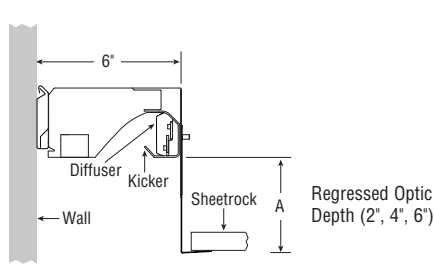
Tunable White High Performance Wall Grazer (HP-WG)

LUMINAIRE FEATURES

Threaded-Rod Spackle Flange Mounting



Wall Bracket Spackle Flange Mounting



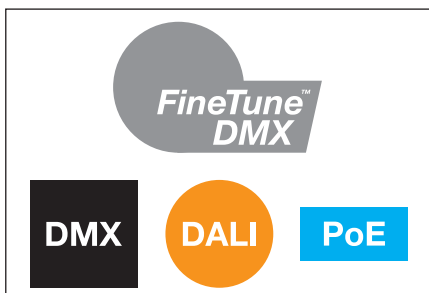
DIMENSIONS & LIGHT ENGINE

The grazing distribution is attained with mid-power LEDs distributed evenly and paired with a precise regressed diffuser.

THREADED-ROD (TR) MOUNTING INSTALLATION

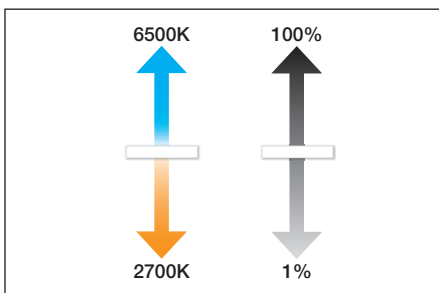
Eliminates the need to install mounting hardware prior to the completion of the slot framing.

TUNABLE WHITE FEATURES



MULTIPLE CONTROL ARCHITECTURES

Finelite's FineTune™ DMX, qualified DMX, DALI (open and proprietary), or PoE (Power over Ethernet).



TUNABLE WHITE

Any CCT between 2700K and 6500K with excellent CRI and R9 values; dimming from 100% to 1%.



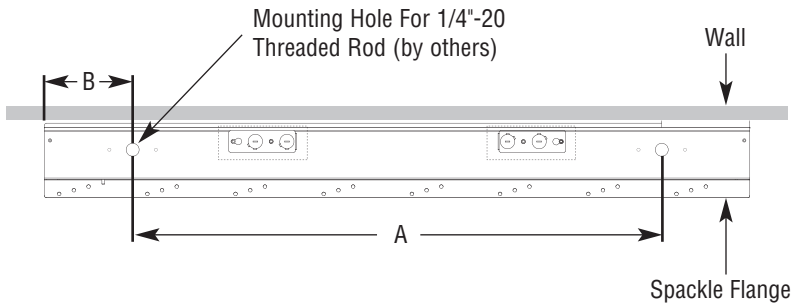
FINETUNE SYSTEM

Award-winning control system, which includes intuitive wall mounted controller, power control center, driver, and mobile app to easily tailor lighting to match user preference.

FINELITE

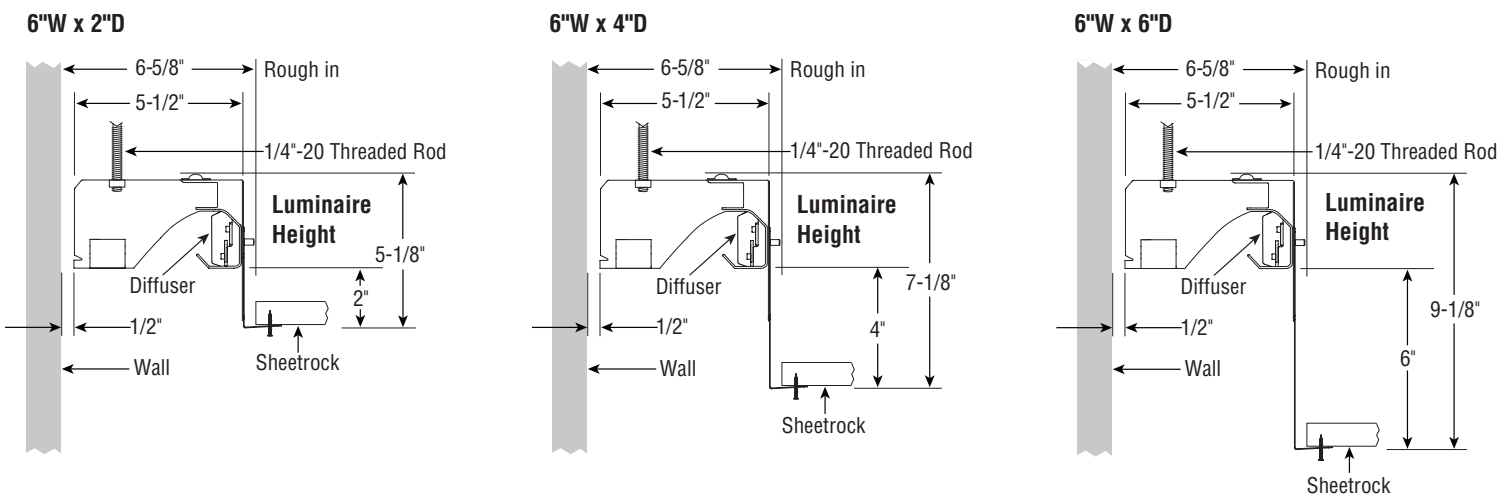
Tunable White High Performance Wall Grazer (HP-WG)

THREADED-ROD (TR) MOUNTING LOCATION

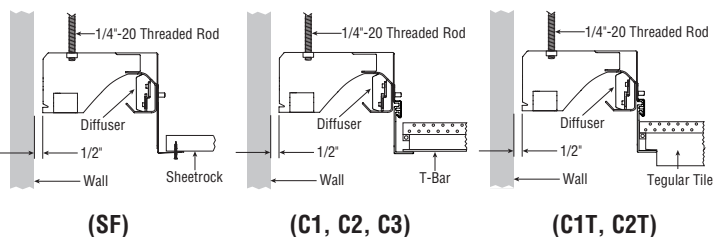


MOUNTING HOLE LOCATION TABLE		
LUMINAIRE LENGTH	A (in)	B (in)
2'	18	3
3'	30	3
4'	36	6
8'	84	6

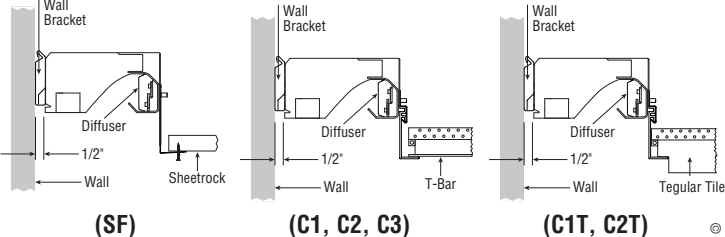
THREADED-ROD (TR) MOUNTING CROSS SECTIONS



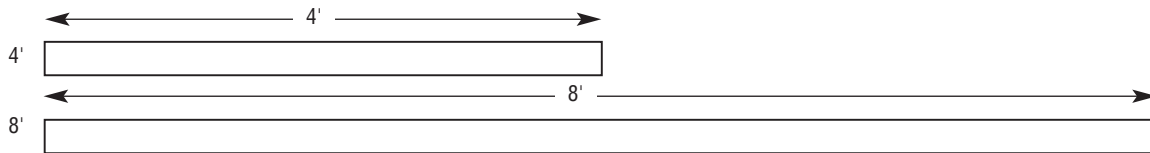
CEILING TYPES — THREADED-ROD (TR) MOUNTING



WALL BRACKET (WB) MOUNTING



RUN LENGTHS



Endcaps Information

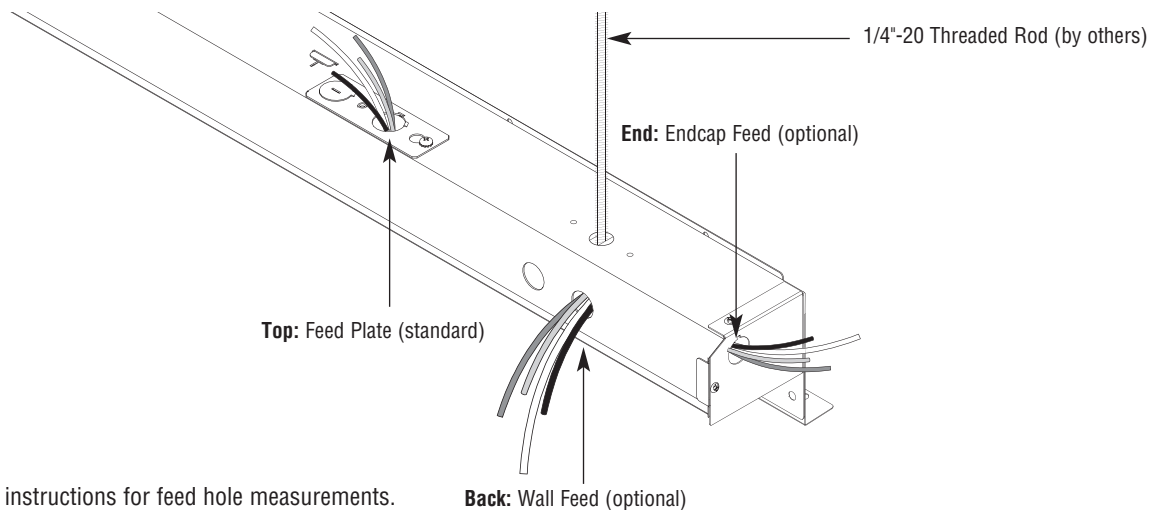
The **Flat Endcap** adds 1/8" per endcap to the section length.
 The **Pocket Slot Endcap** adds 1-1/4" for Spackle Flange and 1" for T-Bar per endcap to the section length.

A brand of **legrand**

FINELITE

Tunable White High Performance Wall Grazer (HP-WG)

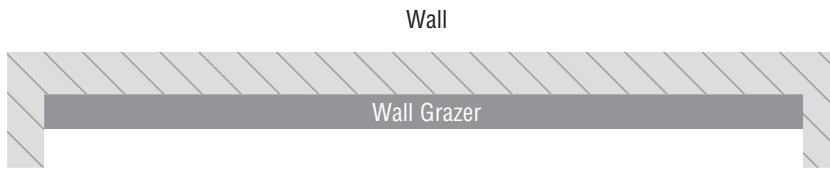
FEED OPTIONS



Refer to installation instructions for feed hole measurements.

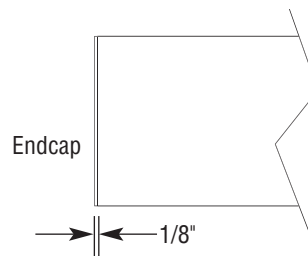
ENDCAP OPTIONS

STANDARD FLAT (FE-L or FE-R)

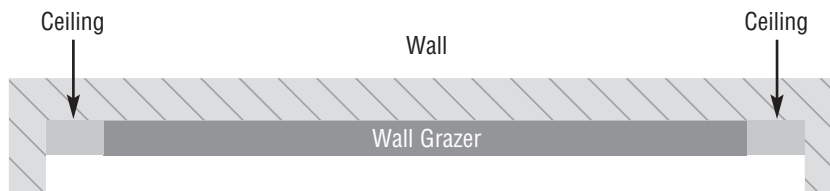


Flat end condition when luminaire terminates at a vertical surface such as a wall.

Add 1/8" per endcap. Spackle Flange version shown, T-Bar available.

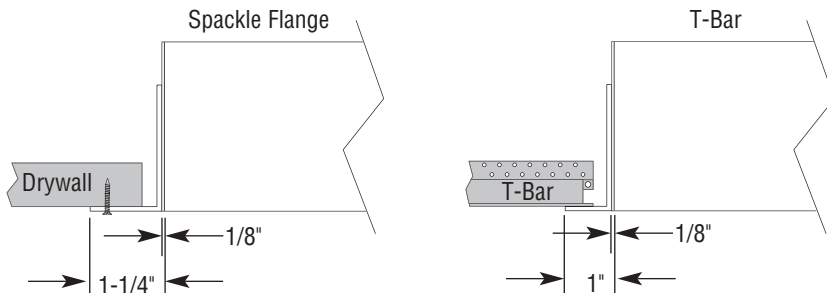


POCKET SLOT (PE-L or PE-R)



Pocket slot end condition when slot terminates before meeting additional vertical wall surface.

Adds 1-1/4" for Spackle Flange and 1" for T-Bar (includes endcap dimension 1/8") per endcap to the housing length on shop drawings. T-Bar version shown, Spackle Flange available.



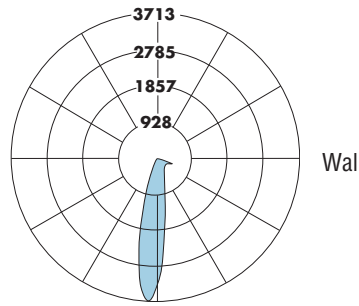
A brand of **legrand**

FINELITE

Tunable White High Performance Wall Grazer (HP-WG)

PHOTOMETRY – 4' Luminaire

6"W x 2"D
 Very High Output - 120V
 Efficacy: 64 lumens per watt
 Total Luminaire Output: 2578 lumens (645 lumens/foot)
 40.6 watts (10.1 watts/foot)
 CCT: 3500K
 ITL LM79 Report: 88542.900
 (Family correlation based on ITL report 88542)



CANDELA DISTRIBUTION						
	0.0	45	90	135	180	Flux
0	3274	3274	3274	3274	3274	3274
5	2070	2441	3253	3674	3632	274
15	787	1093	3060	2408	1367	527
25	456	628	2670	759	197	491
35	335	420	2134	129	25	401
45	294	312	1542	26	2	312
55	265	253	984	4	0	231
65	341	241	534	1	0	179
75	238	273	217	0	0	121
85	33	30	35	0	0	24
90	31	27	0	0	0	

	Total Light Output, 3500K, 80 CRI (Lumens) - 4' Luminaire	
	B*	V**
6"W x 2"D	1327	2578

	Light Output, 3500K, 80 CRI (Lumens Per Foot)	
	B*	V**
6"W x 2"D	332	645

	Power, 3500K, 80 CRI (Watts Per Foot)	
	B*	V**
6"W x 2"D	5	10.1

	Efficacy, 3500K, 80 CRI (Lumens Per Watt)	
	B*	V**
6"W x 2"D	66	64

Lumen Adjustment Factors - 80 CRI	
2700K	0.968
3000K	0.985
3500K	1.000
4000K	1.032
6500K	1.032

Lumen Adjustment Factors - 90 CRI	
2700K	0.731
3000K	0.746
3500K	0.760
4000K	0.789
6500K	0.789

Apply a lumen adjustment factor to calculate lumens for the desired CCT and CRI.

SAMPLE LUMEN ADJUSTMENT CALCULATION

Boosted Standard Output (B), 4000K, 90 CRI

Lumen Adjustment Factor = 0.789

$$\text{Total Light Output} = 1327 \text{ lm} \times 0.789 = 1047 \text{ lm}$$

$$\text{Total Light Output per Foot} = 332 \text{ lm/ft} \times 0.789 = 262 \text{ lm/ft}$$

$$\text{watts/foot} = 5 \text{ W/ft}$$

$$\text{Efficacy} = \frac{262 \frac{\text{lm}}{\text{ft}}}{5 \frac{\text{W}}{\text{ft}}} = 52 \text{ lm/W}$$

B - Boosted Standard Output, V - Very High Output

* Family Correlation based on 4' luminaire 3500K 80 CRI Very High Output (V) test - 120V.

** Based on ITL report: 88542

FINELITE

Tunable White High Performance Wall Grazer (HP-WG)

SPECIFICATIONS

CONSTRUCTION: Precision cut 6061-T6 extruded aluminum visible flange and reflector carrier. Internal joiner system, plug-together wiring standard. Steel sheet metal galvanized and powder coated body.

ENDCAPS: The luminaire can terminate in three different end conditions to accommodate project needs. Endcaps are made of 20-gauge die-formed powder-coated steel.

END CONDITIONS:

FLAT (standard) (FE-L or FE-R): Is used when the luminaire terminates at a wall. Adds 1/8" per endcap to overall length of the luminaire.

POCKET SLOT (PE-L or PE-R): Includes the necessary hardware to accommodate ceiling materials when the luminaire does not terminate at a wall. Adds 1-1/4" for Spackle Flange and 1" for T-Bar per endcap to overall length of the luminaire.

REFLECTORS: 97% reflective semi-specular aluminum reflector provides reflectivity and glare control.

DIFFUSER: Frosted diffusers are 0.040". All diffusers are UV-stabilized and impact resistant virgin acrylic.

LIGHT OUTPUT: Two lumen packages available, Boosted Standard (**B**) and Very High (**V**). A separate chart summarizes lumen distribution and wattage. Light engines are replaceable.

LUMEN MAINTENANCE: 90% of initial light output (L90) at 100,000+ hours; 70% of initial light output (L70) at 200,000+ hours.

TUNABLE WHITE DRIVER: Replaceable LED driver. Driver is accessible from below the ceiling. 120V/277V. Power Factor: ≥ 0.90. Total Harmonic Distortion (THD): < 20%. Dimming Range: 100 - 1%. Expected driver lifetime: 100,000 hours.

LUTRON DRIVER OPTIONS: LUTDTW (1% T-Series 2-Channel Digital Tunable White (PSQ Series)).

ELECTRICAL:

Emergency Option DMX: Battery backup only

Emergency Option DALI: Battery backup, emergency-to-generator/ Inverter wiring

Emergency Option LUTRON: Battery backup, emergency-to-generator/ inverter wiring

Emergency Option PoE: Contact factory.

Battery Backup: Factory-choice low-profile backup battery available. Chicago Plenum option available. 8' minimum luminaire length for low profile battery pack. Backup batteries deliver 1308 lumens. Half of a 4' section will be illuminated in emergency mode. Optional fusing is available. Optional fusing is available. Backup battery will operate 6500K in emergency.

MOUNTING: The standard mounting (Threaded Rod - TR) option eliminates the need to install luminaires prior to the slot being framed. Luminaire mounts on threaded rods. Optional mounting includes a wall bracket that is attached to the wall. Luminaires are then snapped onto the bracket. Luminaire installation that uses the mounting bracket must be performed before the perimeter slot framing is built.

DMX INTERCONNECTION CABLES: Luminaires are prewired with plug-and-play interconnection cables to support easy plug-together joining of luminaire runs.

FINISH: Finelite Signal White powder coat standard. Optional Adder: 185 RAL colors. Custom color applies to the visible T-Bar flange.

FEED: Standard with one 18-gauge single-circuit feed. 14-gauge feed used when luminaire current exceeds 5 amps. Optional 6' flex conduit whips available. DMX feeds cannot be cut or spliced. DMX feeds should be ordered based on fixed lengths. Dual knockouts (for dual flex conduit) are available at the top and rear feed locations. Endcaps have a single knockout and support a single flex conduit only.

LENGTHS / PRE-QUALIFIED CONTROLS BY OTHERS: 4' and 8' sections can be combined to make longer runs.

LABELS: Luminaire and electrical components are ETL-listed conforming to UL 916, 1598, 8750, 924 in the U.S.A. and CAN/CSA C22.2 No. 205, 250, and 141 in Canada. In accordance with NEC Code 410.73 (G), this luminaire contains an internal driver disconnect. IC-Rated. Damp Location. Finelite products use electronic components that are RoHS compliant, and the mechanical components of the luminaire have been verified to not knowingly contain any restricted substances listed per RoHS Directive 2011/65/EU. Finelite makes the specification process easy when putting healthier products on your projects. Simply add - **RLA** (Red List Approved) or - **RLD** (Declared Label) to your part number.

WEIGHT: Threaded-rod luminaire 4.5 lb/ft., Wall Bracket luminaire 5 lb/ft.

WARRANTY: 10-year performance-based warranty on all standard components. Qualified drivers by others and optional accessories such as emergency battery packs are covered by their individual manufacturer warranties.

TUNABLE WHITE PRE-QUALIFIED DRIVERS BY OTHERS

DMX	DALI	POE set up	LUTRON
EldoLED	EldoLED, Crestron	Contact Factory	LUTRON

NOTE: For a complete list of system option/limitations [please click here](#).