

# HP-WG Post-Ceiling T-Bar Installation Instructions

## Overview

### NOTES

- All power connections should be installed according to local/national codes by a Certified Electrician.
- This installation requires **proper support** as each luminaire is being installed.
- **DO NOT attempt to join luminaires together on the floor.** Damage may result when lifted.



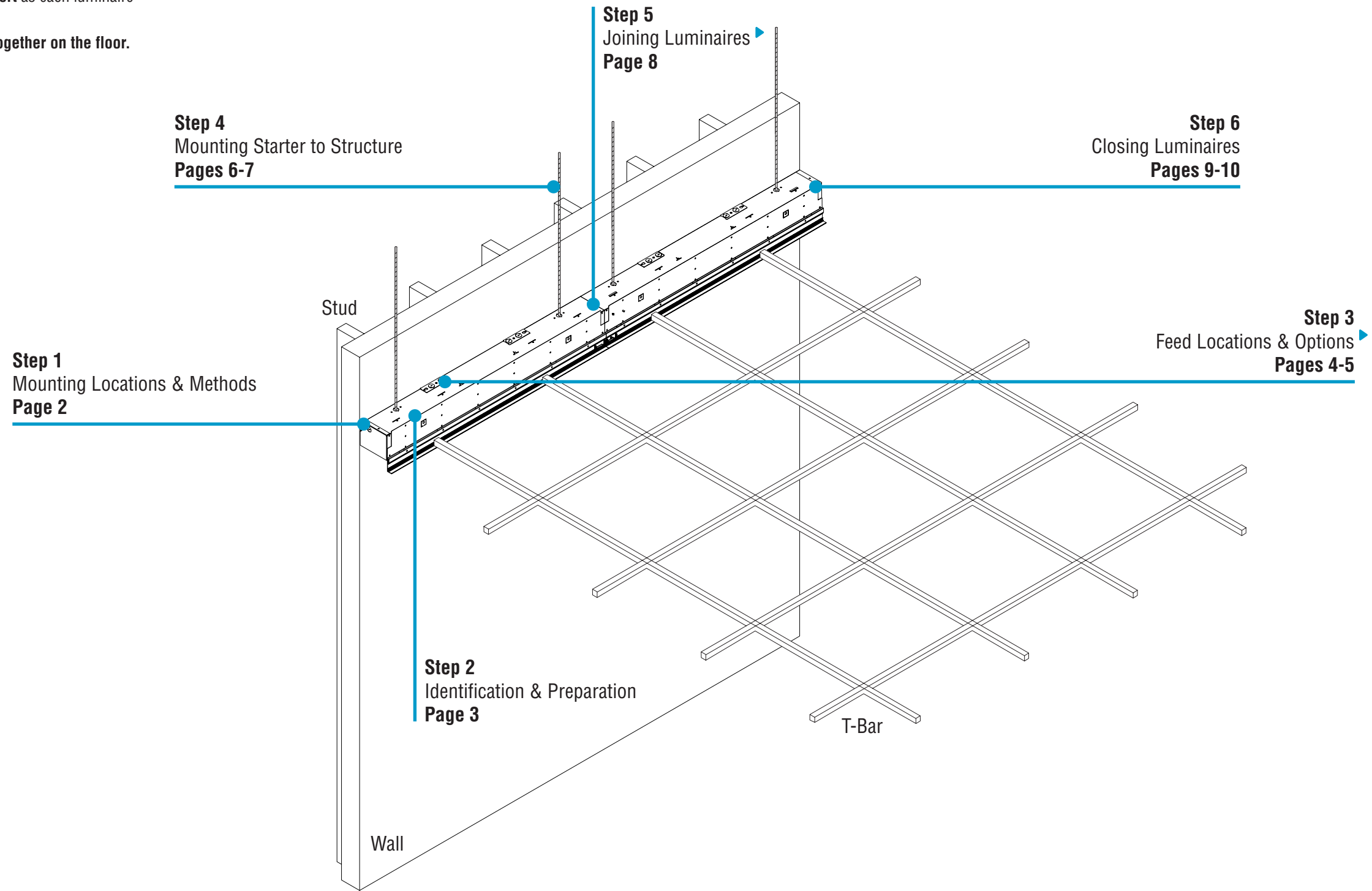
HELPFUL  
VIDEO



0-10V  
Dimming



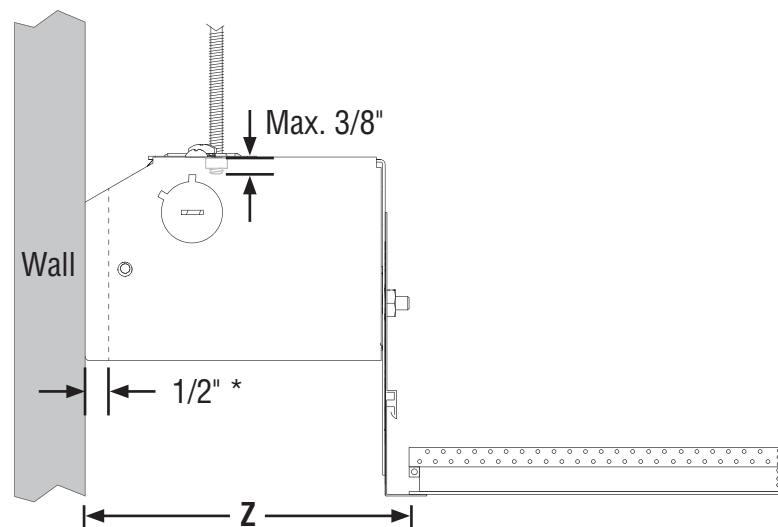
Simple  
Plug-Together  
Wiring



# HP-WG Post-Ceiling T-Bar Installation Instructions

## Step 1 - Mounting Locations & Methods

### A. Create Rough In Side View

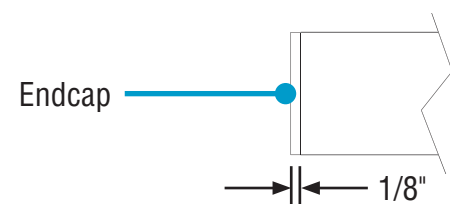


\* Gasket provided by Finelite goes into this 1/2" gap between the luminaire and the wall

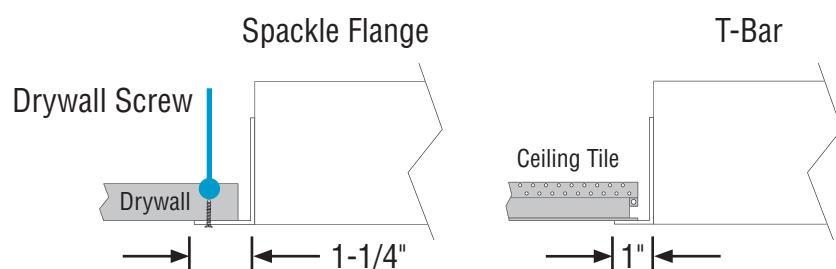
Luminaire Depth	Rough In Opening (in)
2", 4" & 6"	Z = 6-1/2

### Endcap Information (Side Views):

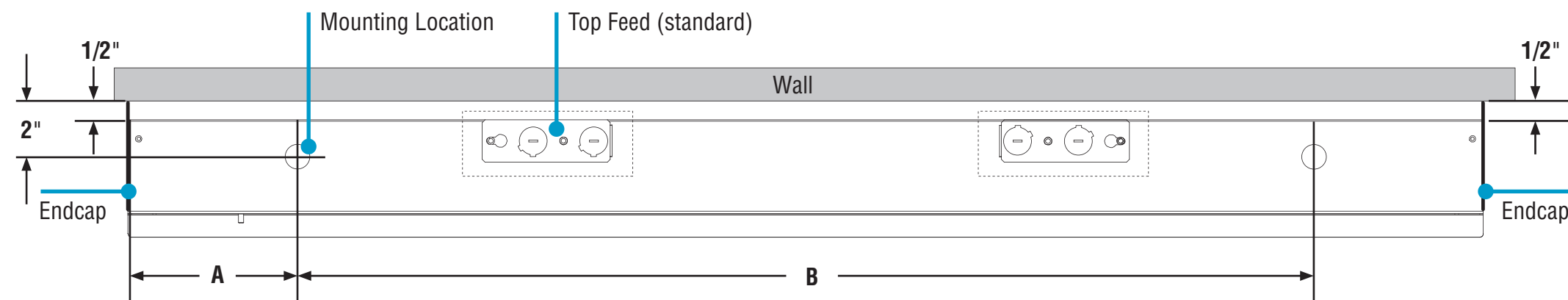
The **Wall-to-Wall Endcap** adds 1/8" per endcap.



The **Pocket Slot Endcap** adds 1-1/4" for Spackle Flange and 1" for T-Bar per endcap.

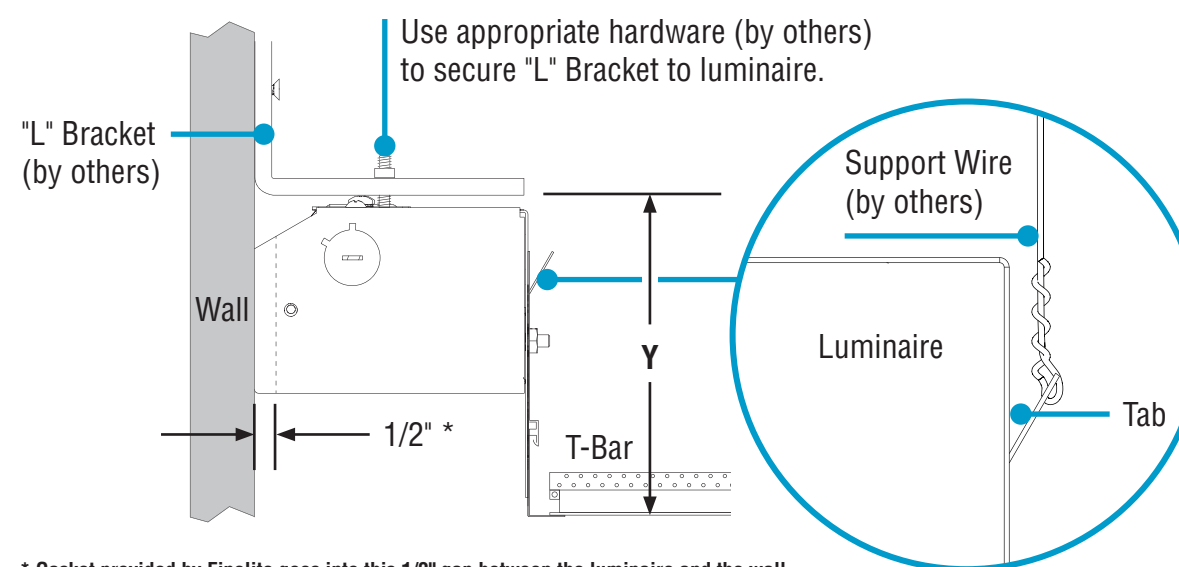


### B. Mounting Locations Top View



Luminaire Length	A (in)	B (in)
2'	3	18
3'	3	30
4'	6	36
8'	6	84

### Alternative "L" Bracket Mounting (by others)

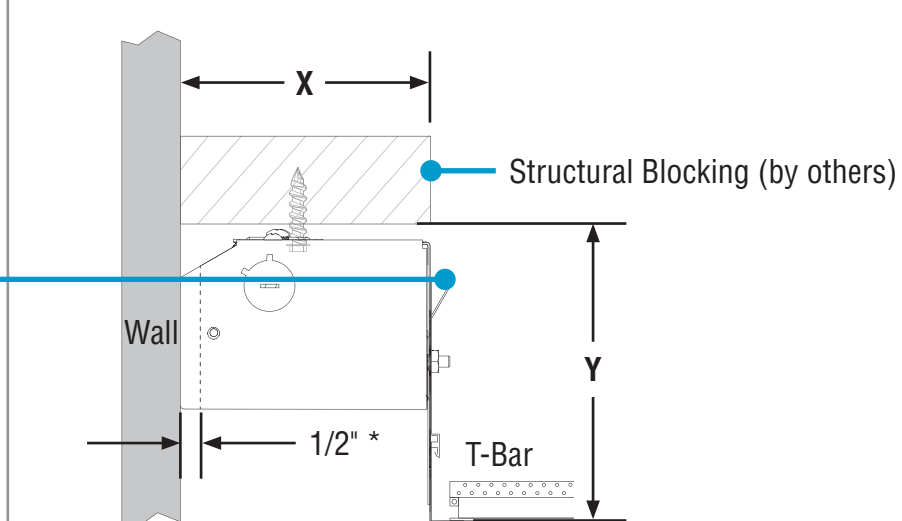


\* Gasket provided by Finelite goes into this 1/2" gap between the luminaire and the wall

Luminaire Depth	Y (in)
2"	5-1/8
4"	7-1/8
6"	9-1/8

In addition to alternative mounting methods, luminaire must be secured to structure by support wire (by others) per building code.

### Alternative Mount to Structure (by others)



\* Gasket provided by Finelite goes into this 1/2" gap between the luminaire and the wall

Luminaire Depth	X (in)	Y (in)
2"	6-5/8	5-1/8
4"	6-5/8	7-1/8
6"	6-5/8	9-1/8

# HP-WG Post-Ceiling T-Bar Installation Instructions

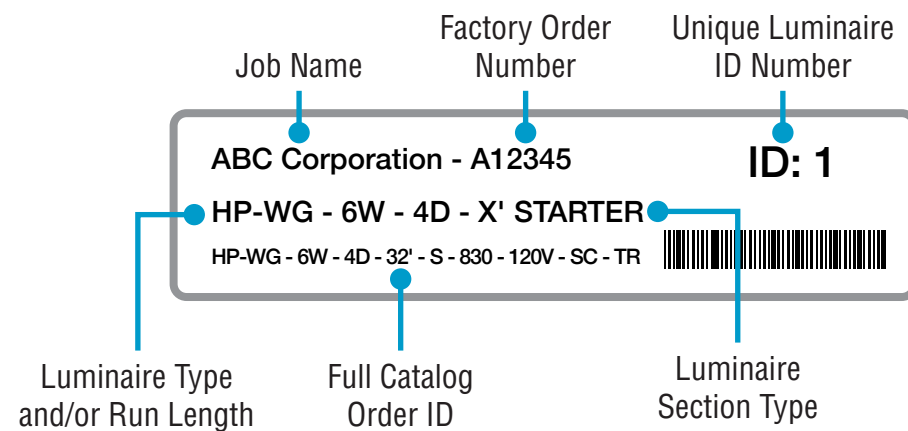
## Step 2 - Identification & Preparation

### A. Identify Luminaires

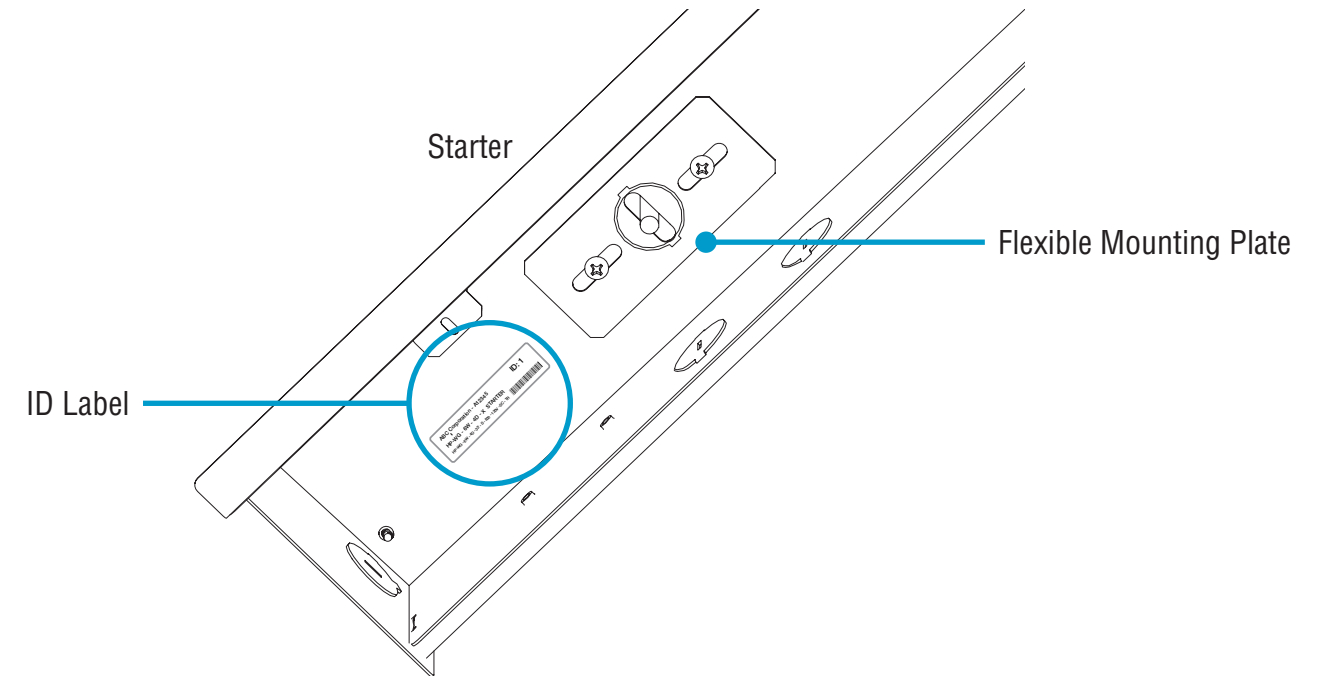


**CAUTION**

Arrange luminaires in order according to ID# at their install locations.



Bottom-Up View



- Identify all luminaires by their ID label that can be found on the box and inside the luminaire.
- **NOTE:** Exact location of labels in these areas may vary.
- Remove all luminaires from their box.
- Refer to Record Drawings that can be found in the hardware kit.

### Kitted Hardware

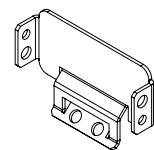
- Finelite has provided items listed here, with their Finelite part numbers. These items can be found in separate boxes shipped with the luminaire.
- Account for all parts and set aside until they are needed.
- All other hardware needed for this installation will be by others.



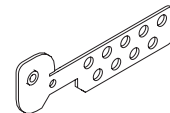
**#8-18 x 1/4" Screw**  
Part# 69026  
Feed Locations & Options  
p. 4, Step 3  
Mounting Starter to Structure  
p. 6-7, Step 4  
Joining Luminaires  
p. 8, Step 5  
Closing Luminaires  
p. 9-10, Step 6



**#10-32 Screw**  
Part# 94144  
Feed Locations & Options  
p. 4, Step 3



**Extrusion Joiner Bracket**  
Part# 11302  
Joining Luminaires  
p. 8, Step 5



**T-Bar Bracket**  
Part# 11303  
Closing Luminaires  
p. 10, Step 6

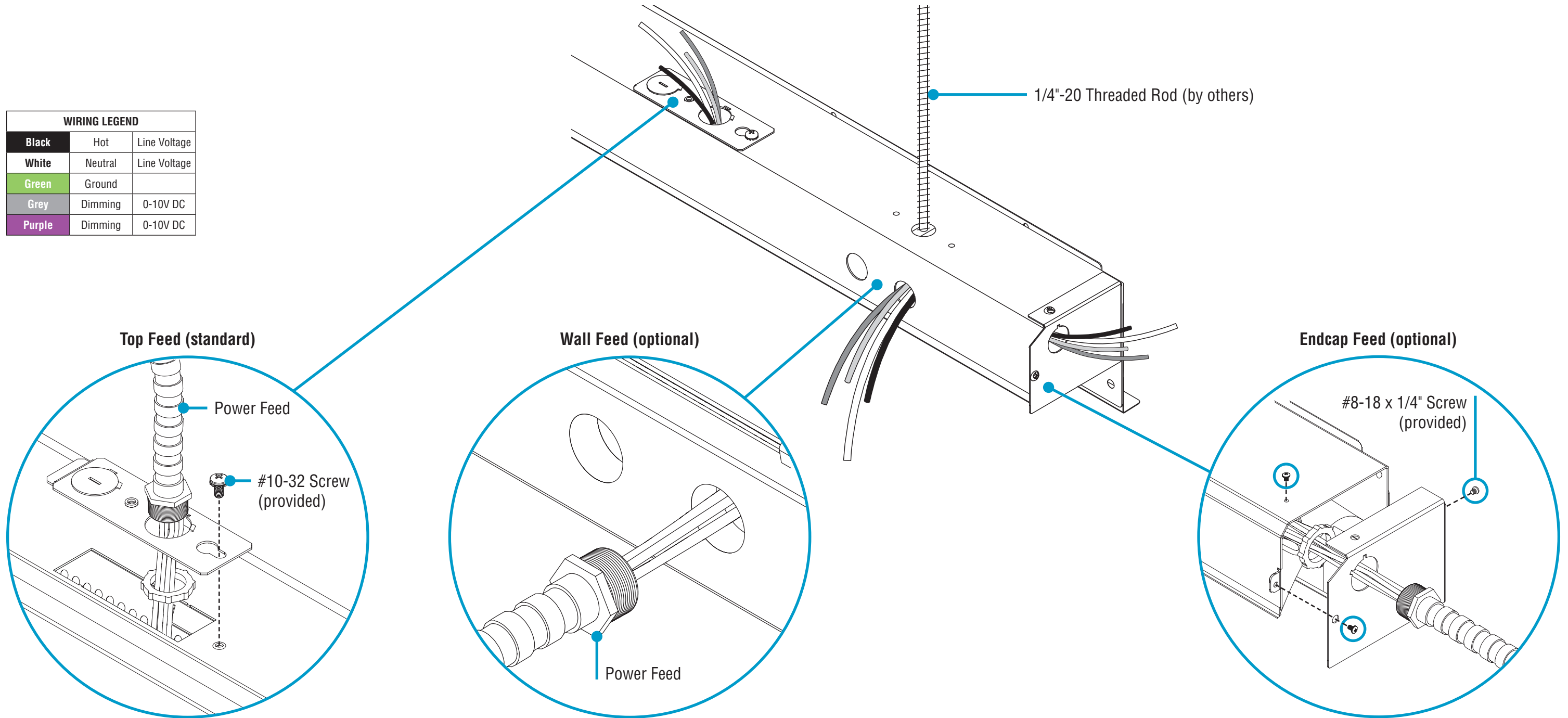



**Cover Sleeve**  
Part# 10719  
Closing Luminaires  
p. 10, Step 6

# HP-WG Post-Ceiling T-Bar Installation Instructions

## Step 3 - Feed Locations & Options

WIRING LEGEND		
Black	Hot	Line Voltage
White	Neutral	Line Voltage
Green	Ground	
Grey	Dimming	0-10V DC
Purple	Dimming	0-10V DC



 #8-18 x 1/4" Screw (provided)

 #10-32 Screw (provided)

CONTINUED



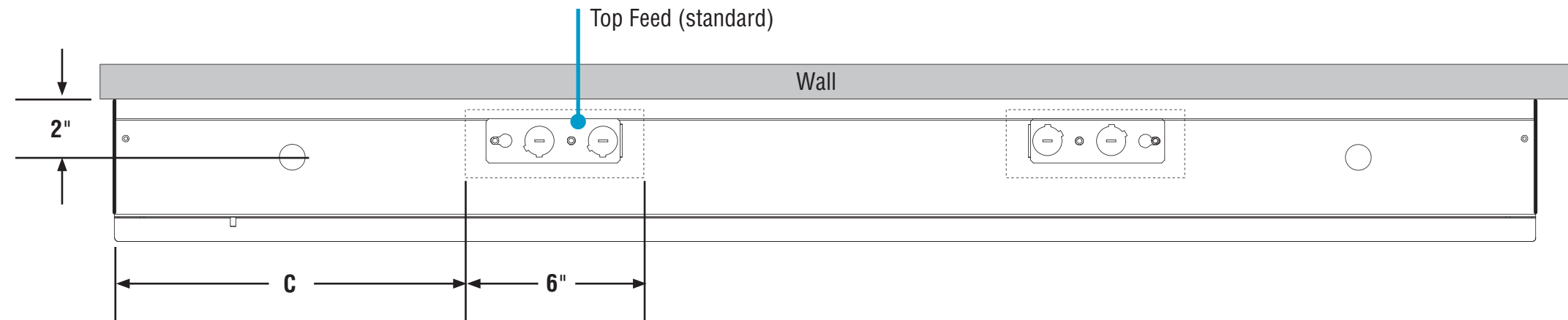
0-10V Dimming

# HP-WG Post-Ceiling T-Bar Installation Instructions

## Step 3 - Feed Locations & Options

**Top Feed** Top View

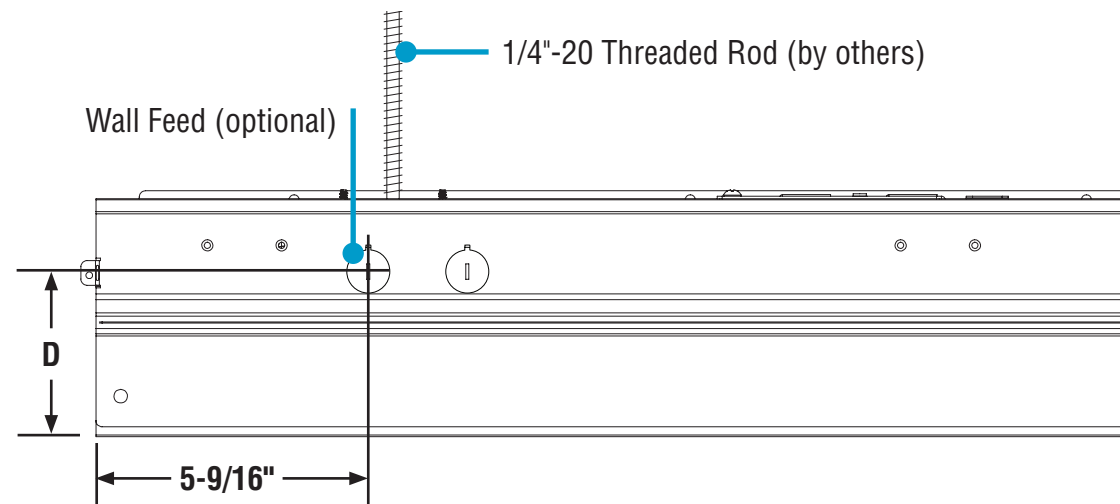
Luminaire Length	C (in)
2'	5
3'	5
4'	12
8'	12



**Top Feed Location (standard)**

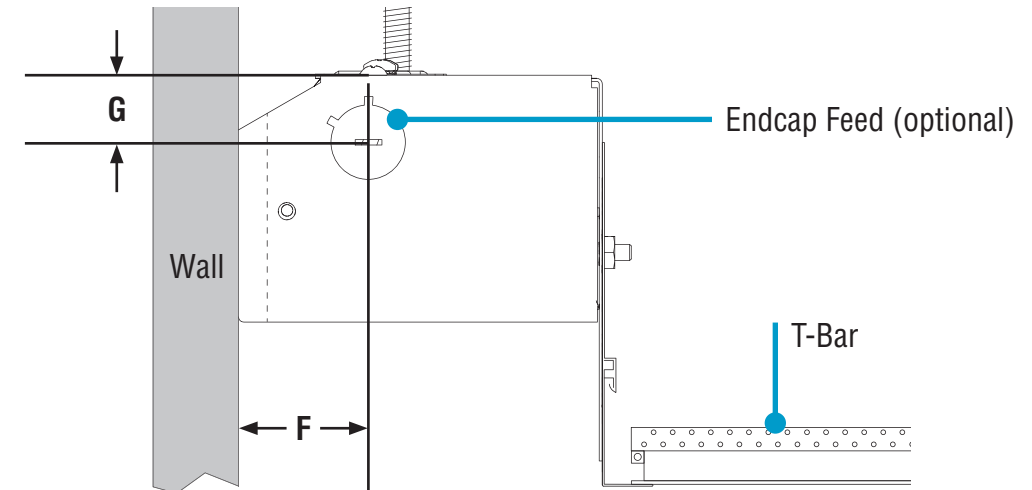
- Use chart above to find measurement of C for feed location.
- **NOTE:** For tailored length luminaire power feed locations, contact factory.

**Wall Feed** Back View



Luminaire Depth	D (in)
2"	3-5/16
4"	5-5/16
6"	7-5/16

**Endcap Feed** Side View

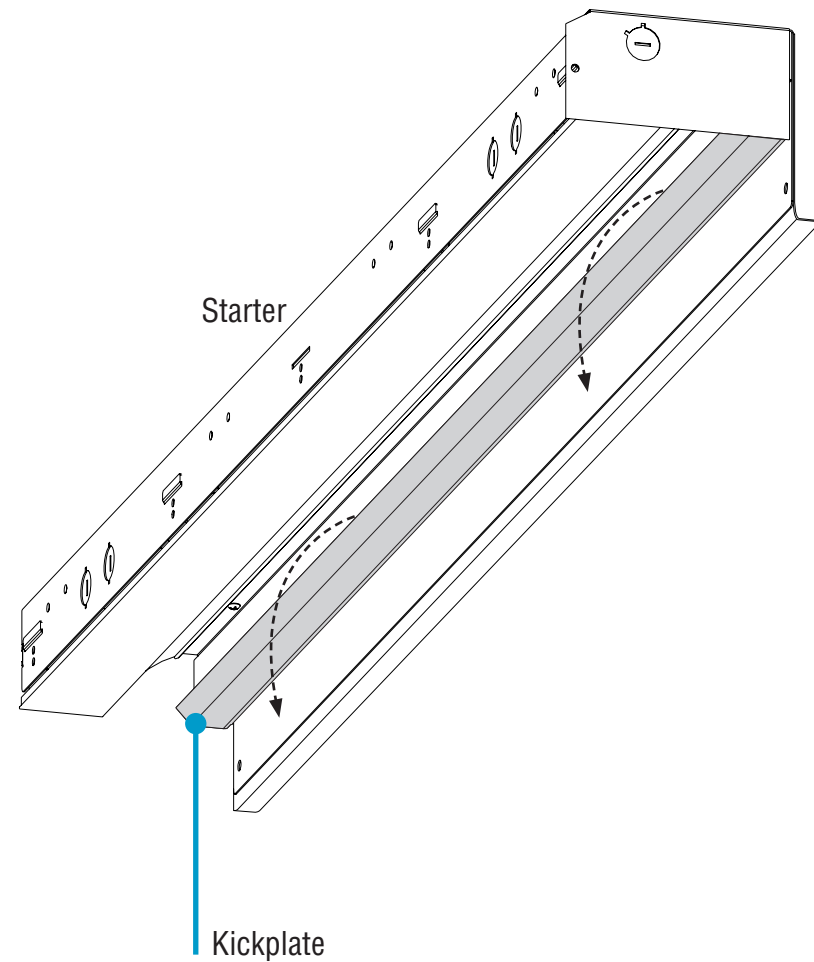


Luminaire Width	F (in)	G (in)
6"	2	13/16


# HP-WG Post-Ceiling T-Bar Installation Instructions

## Step 4 - Mounting Starter to Structure

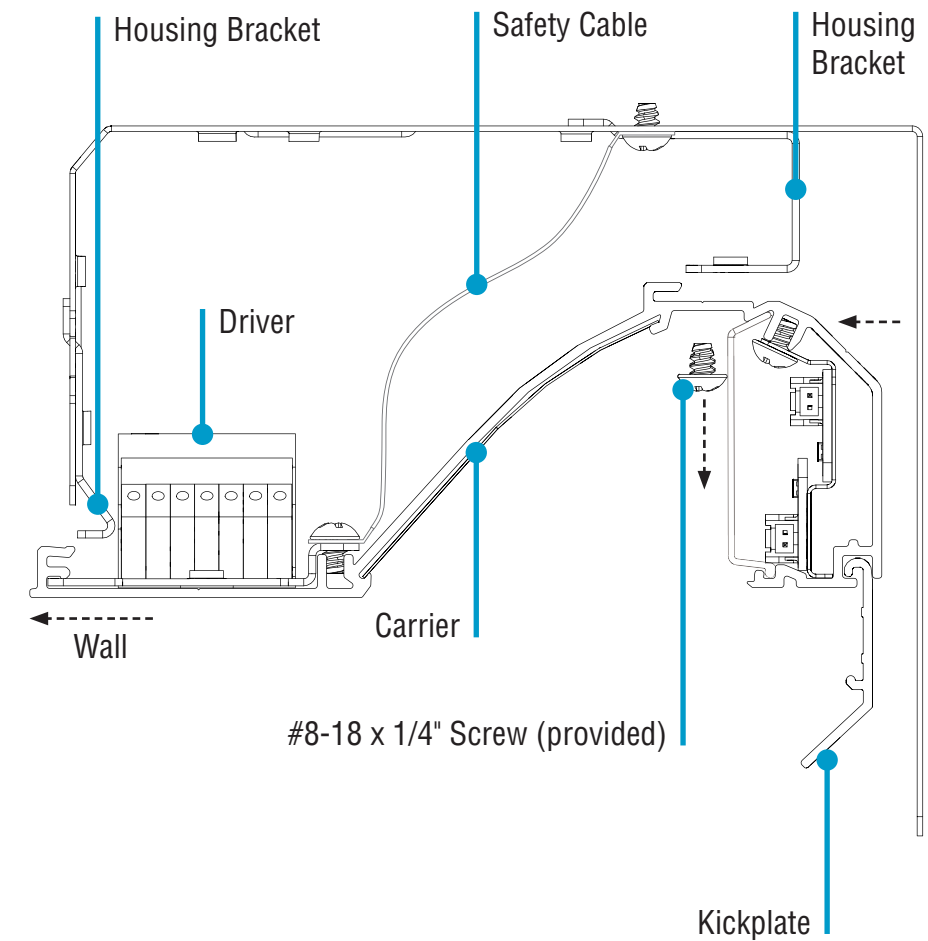
**A. Open Kickplate** Bottom-Up View



- Make electrical connections according to feed location and options.
- To access carrier, open kickplate by unsnapping along the whole length of the luminaire (about every 6").

 #8-18 x 1/4" Screw  
(provided)

**B. Remove Carrier** Side View



- Once kickplate has been opened, remove the #8-18 x 1/4" screw and slide carrier toward wall to detach from housing.
- **NOTE:** The carrier will be suspended by safety cables but you can remove them for complete open access.

**CONTINUED**

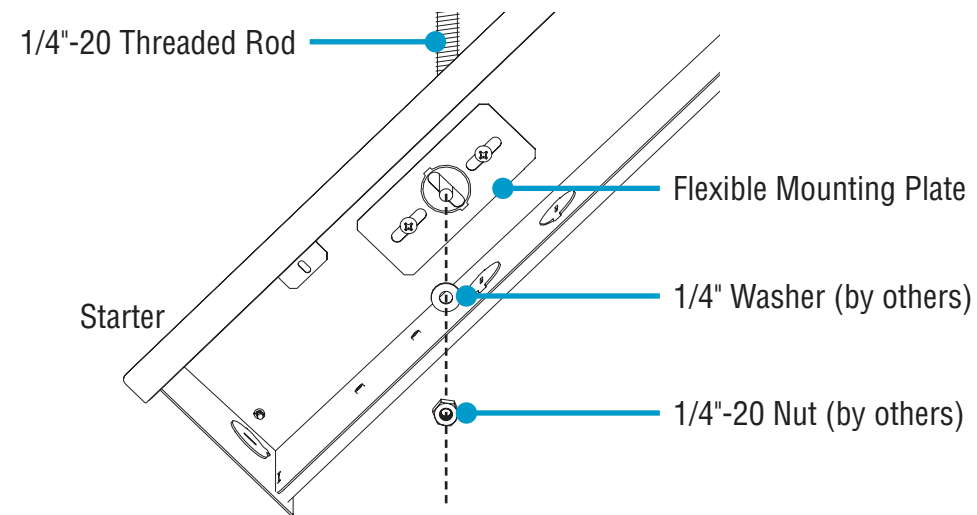
# HP-WG Post-Ceiling T-Bar Installation Instructions

## Step 4 - Mounting Starter to Structure

### C. Mount Luminaire

#### Standard

Bottom-Up View

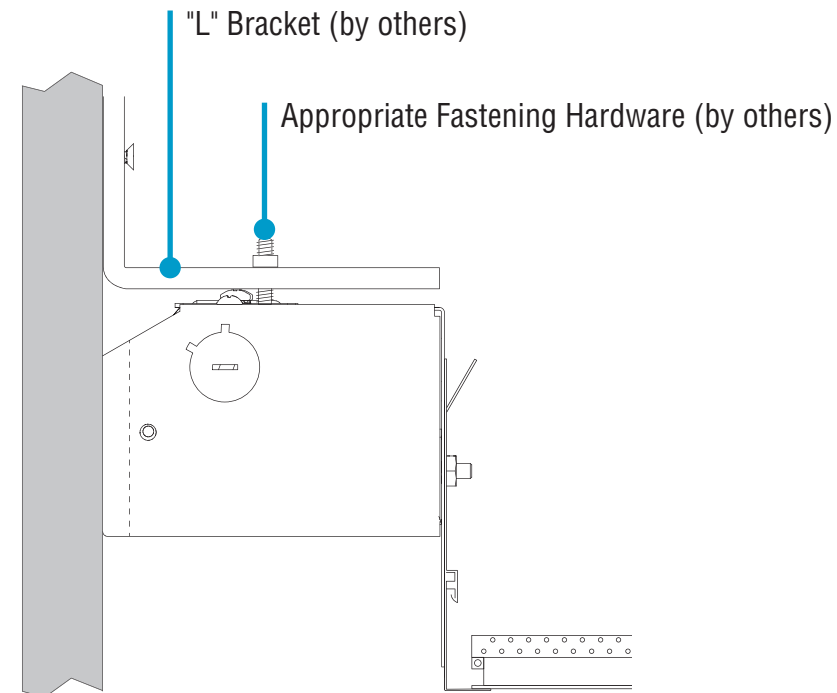


#### MOUNT TO THREADED ROD (Standard)

- Mount the luminaire to structure using a 1/4"-20 nut and washer on a threaded rod.
- **NOTE:** The flexible mounting plate can move for a precise fit.
- If there is no joiner/ender, then tighten nuts fully. **PROCEED TO STEP 6.**

#### Option 1

Side View

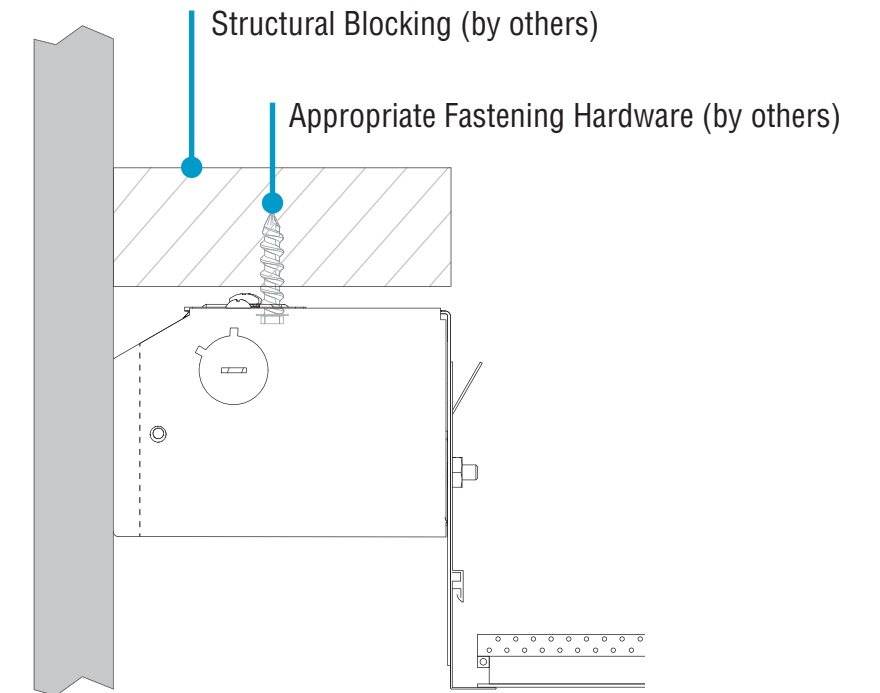


#### MOUNT TO "L" BRACKET (Optional)

- Mount the luminaire to structure using an "L" bracket with appropriate fastening hardware.
- **NOTE:** The flexible mounting plate can move for a precise fit.
- If there is no joiner/ender, then tighten nuts fully. **PROCEED TO STEP 6.**

#### Option 2

Side View



#### MOUNT TO STRUCTURE (Optional)

- Mount the luminaire to structure using appropriate fastening hardware.
- **NOTE:** The flexible mounting plate can move for a precise fit.
- If there is no joiner/ender, then tighten fully. **PROCEED TO STEP 6.**



#8-18 x 1/4" Screw  
(provided)



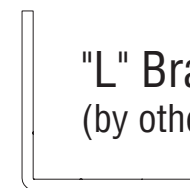
1/4"-20 Nut  
(by others)



1/4" Washer  
(by others)



1/4"-20 Lag Bolt  
(by others)

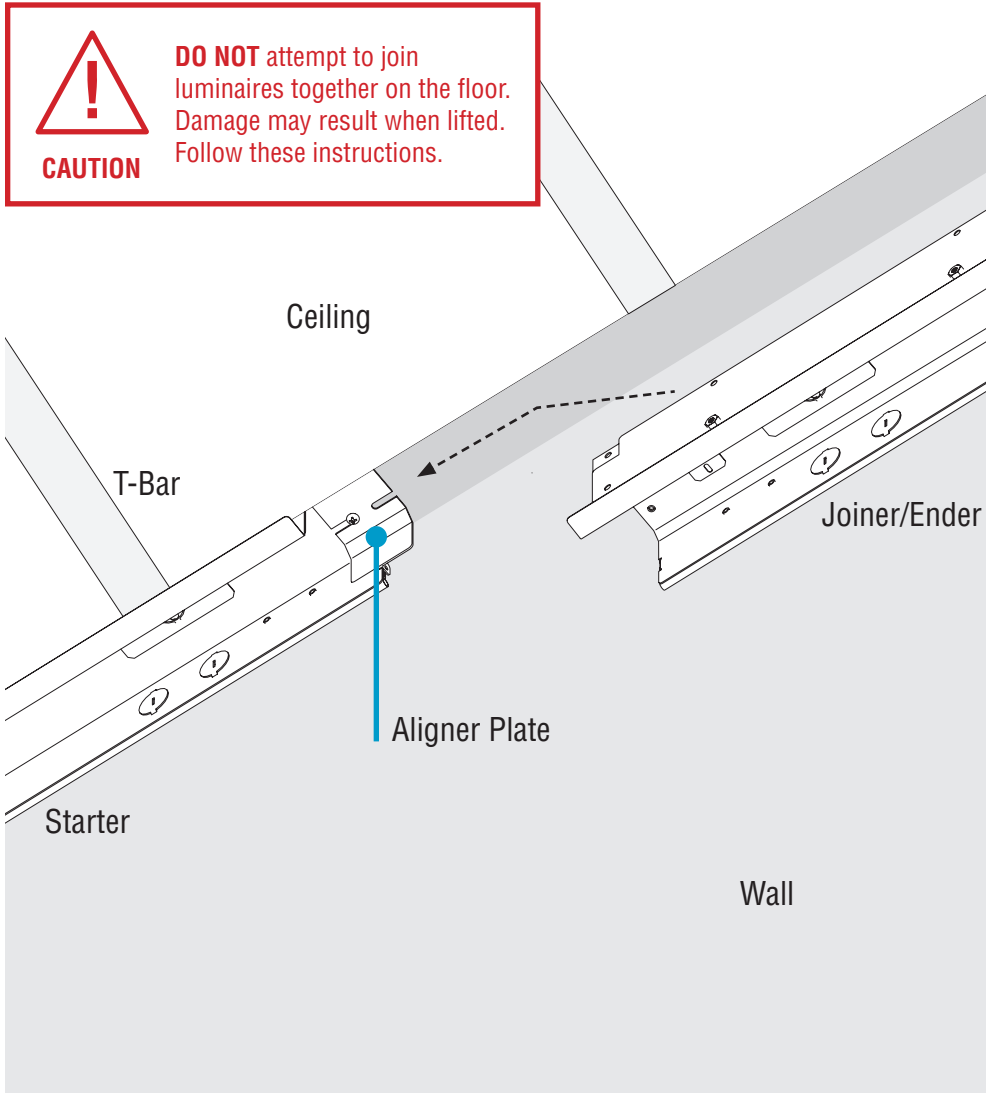


"L" Bracket  
(by others)

# HP-WG Post-Ceiling T-Bar Installation Instructions

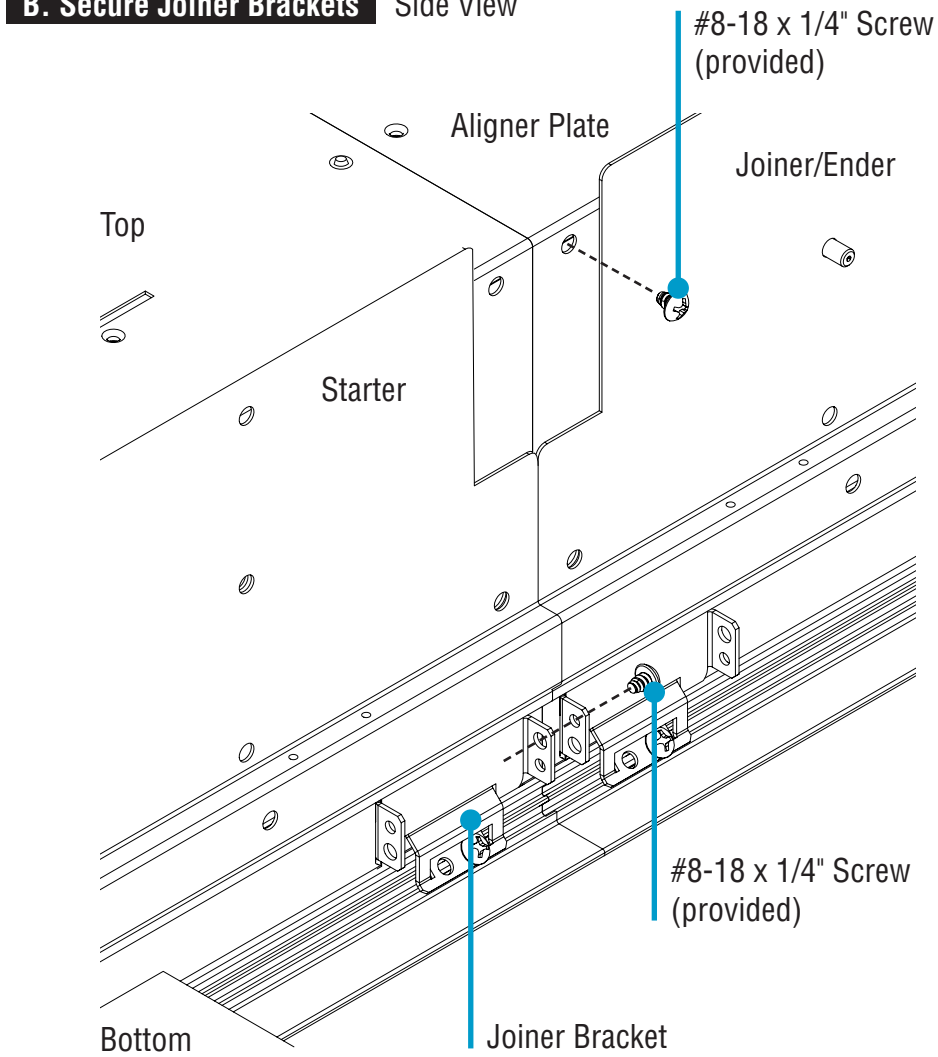
## Step 5 - Joining Luminaires

### A. Install Joiner/Ender Bottom-Up View



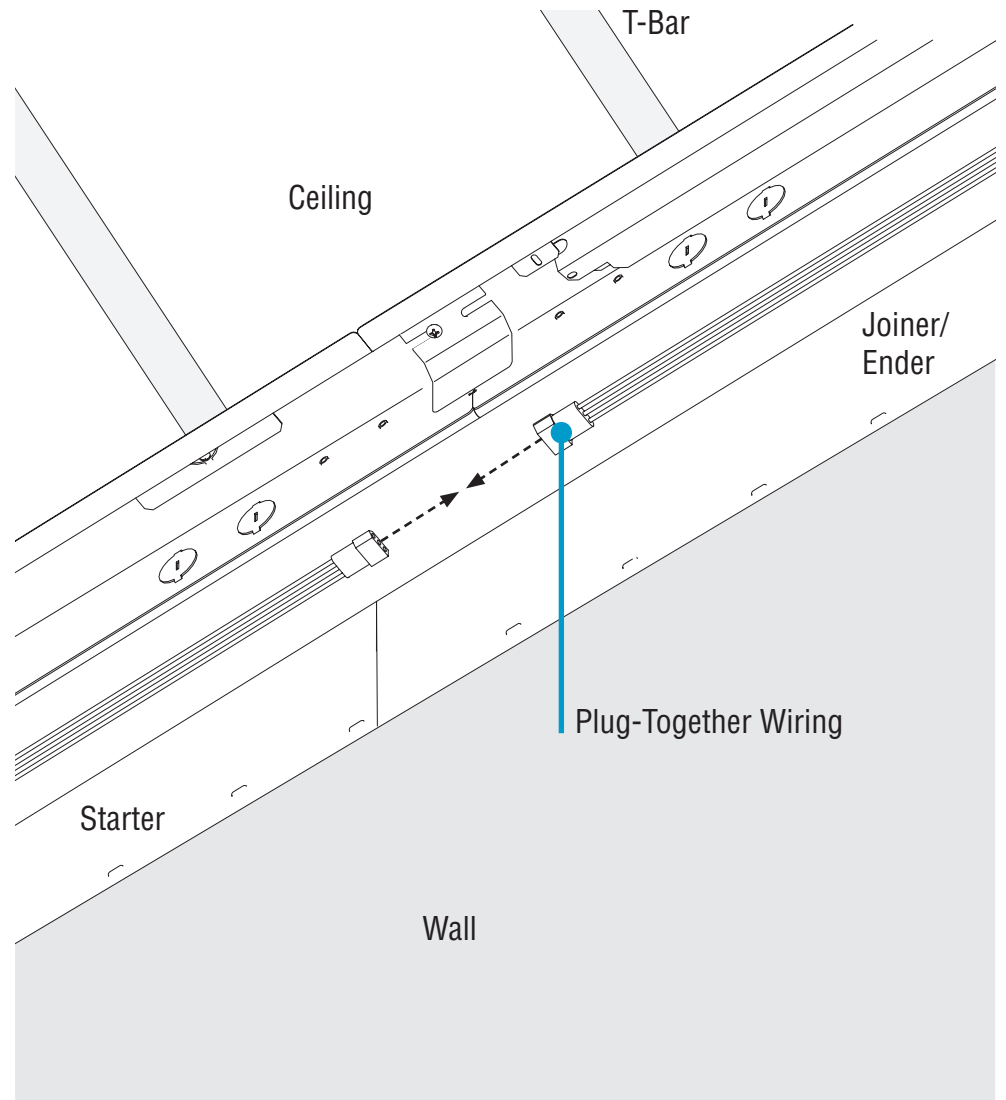
- Slide the joiner/ender luminaire over the aligner plate on the installed luminaire.
- See Step 3C for how to secure a joiner/ender luminaire to structure.
- **NOTE:** Slightly tilt starter and joiner/ender luminaires before installing onto wall.

### B. Secure Joiner Brackets Side View




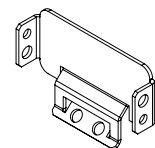
- Ensure that the holes are aligned on the plate.
- Fasten the joiner/ender luminaire to the aligner plate using a #8-18 x 1/4" screw.
- Secure the joiner brackets using a #8-18 x 1/4" screw.
- **CAUTION:** Do not over-tighten.

### C. Plug-Together Wiring Bottom-Up View



- Connect the plug-together wiring.
- Secure all luminaires by tightening all nuts to threaded rods.

 #8-18 x 1/4" Screw (provided)



Extrusion Joiner Bracket (provided)



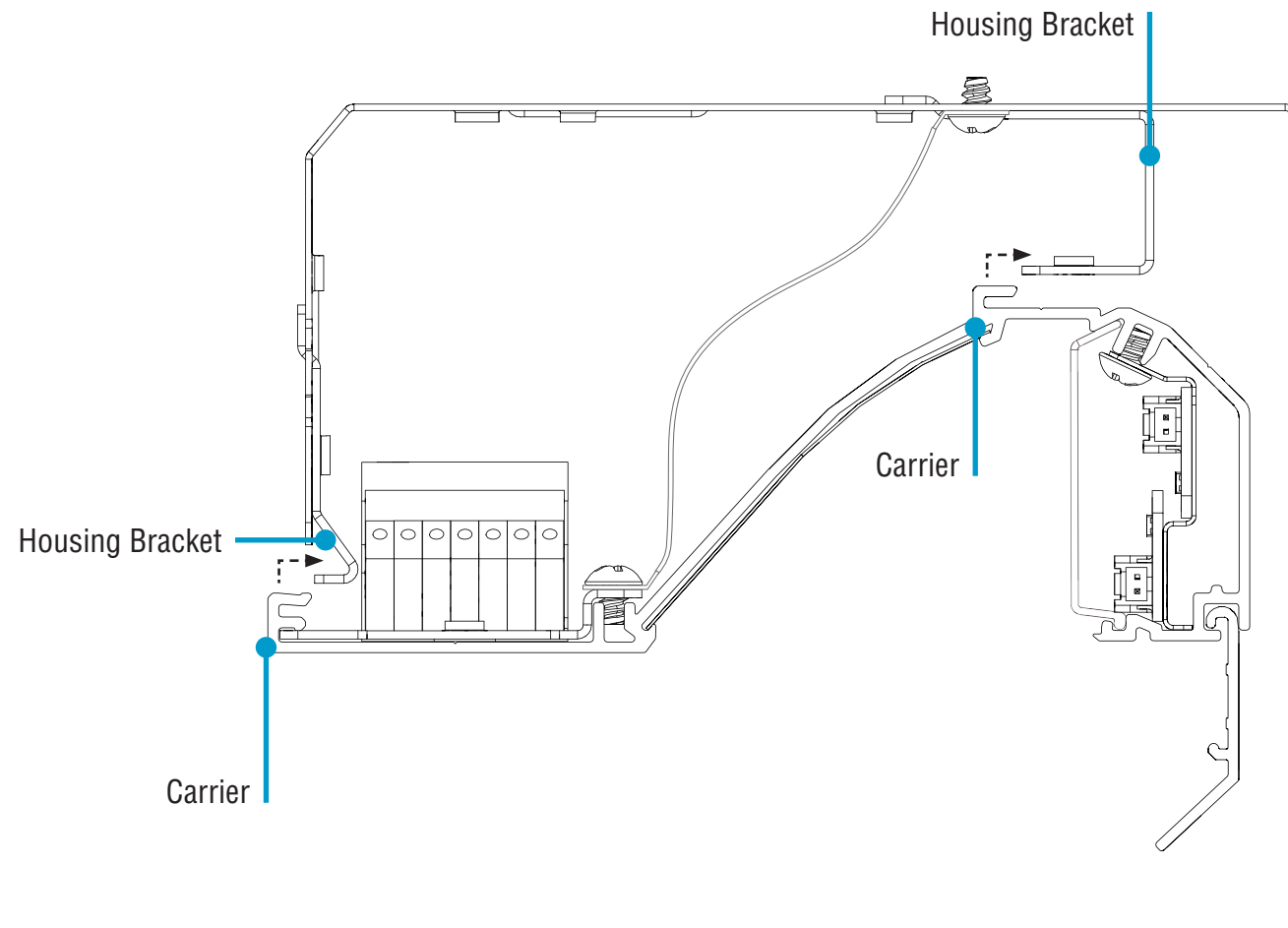
Simple Plug-Together Wiring




# HP-WG Post-Ceiling T-Bar Installation Instructions

## Step 6 - Closing Luminaires

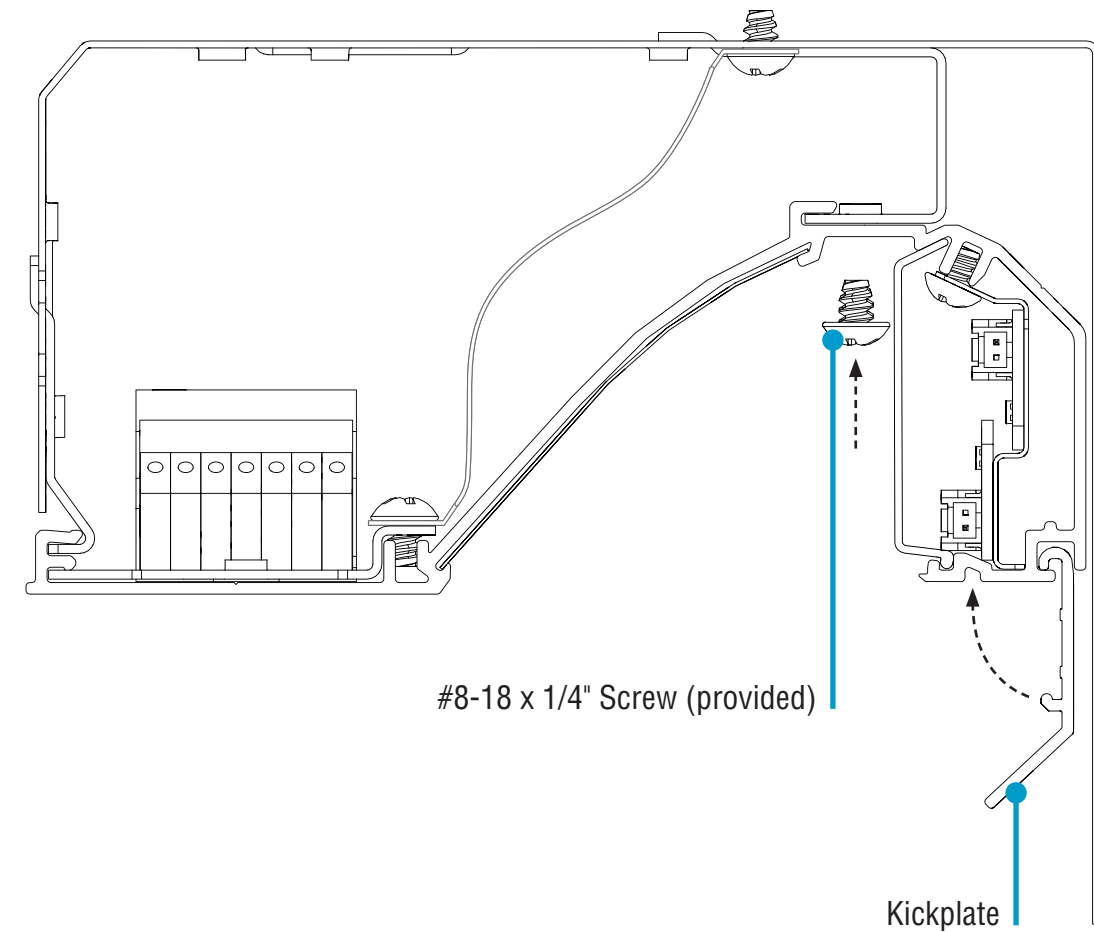
### A. Replace Carrier Side View



- Hook carrier to the housing brackets.

 #8-18 x 1/4" Screw  
(provided)

### B. Secure Carrier & Snap Kickplate Side View



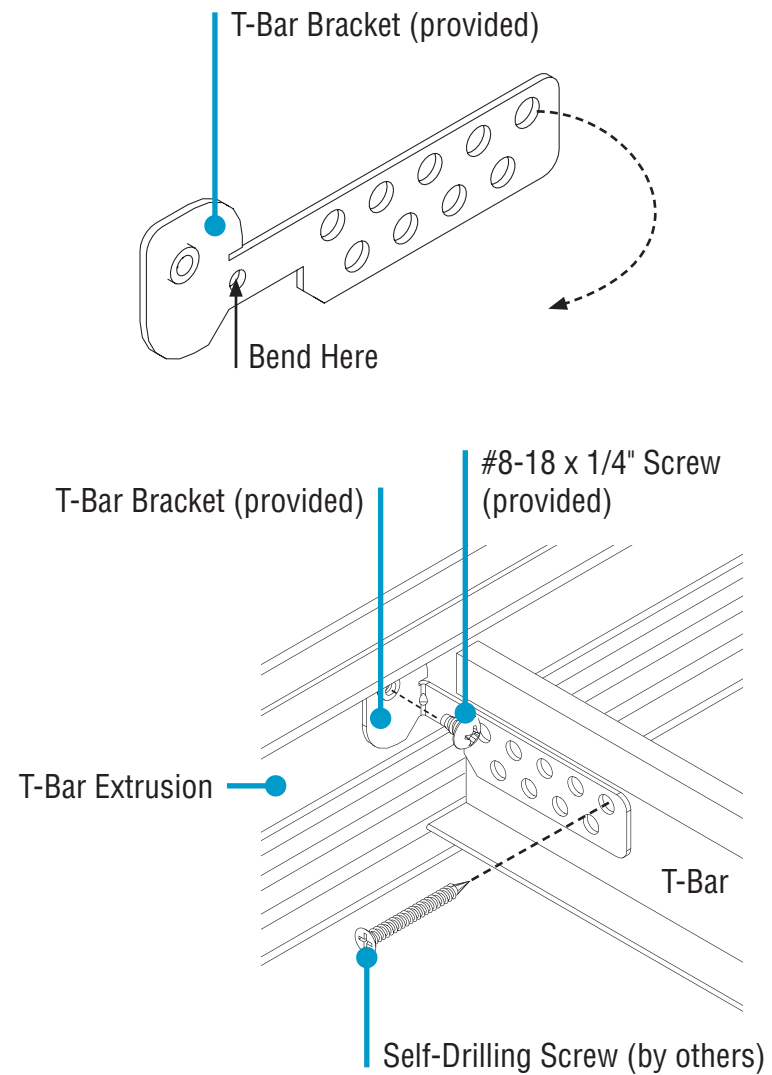
- Secure carrier with #8-18 x 1/4" screw.
- Rotate kickplate and snap back into place along the whole length of the luminaire (about every 6").

CONTINUED

# HP-WG Post-Ceiling T-Bar Installation Instructions

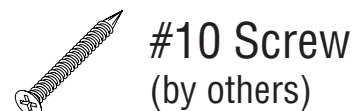
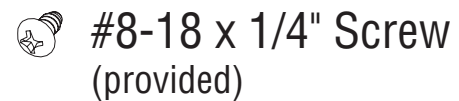
## Step 6 - Closing Luminaires

### C. Secure to Structure Side View

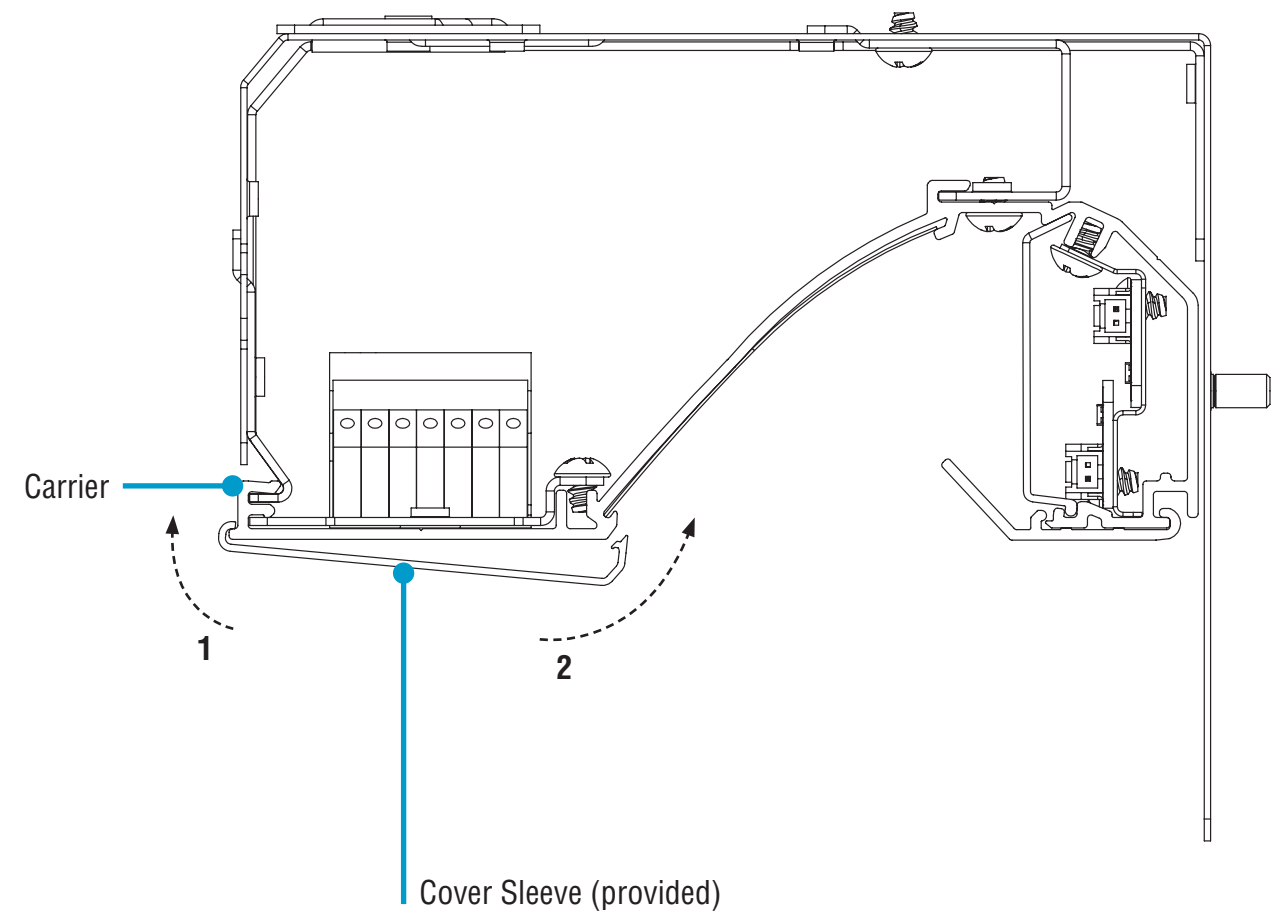


- FOR T-BAR:**
- Gently bend T-Bar bracket so it aligns with T-Bar.
  - Secure T-Bar bracket to T-Bar extrusion using #8-18 x 1/4" screw.
  - Secure T-Bar bracket to T-Bar using self-drilling screws.

- FOR WALL:**
- Secure T-Bar bracket to wall using appropriate #10 screws.



### D. Final Step - Install Cover Sleeve Side View



- 1. Hook back edge of cover sleeve over edge of carrier.
- 2. Snap front edge of cover sleeve in place along the whole length of the luminaire (about every 6").
- Once cover sleeve is in place, turn power on to luminaire.

