

HP-WG Post-Ceiling Spackle Flange Installation Instructions

Overview

NOTES

- All power connections should be installed according to local/national codes by a Certified Electrician.
- This installation requires **proper support** as each luminaire is being installed.
- **DO NOT attempt to join luminaires together on the floor.** Damage may result when lifted.



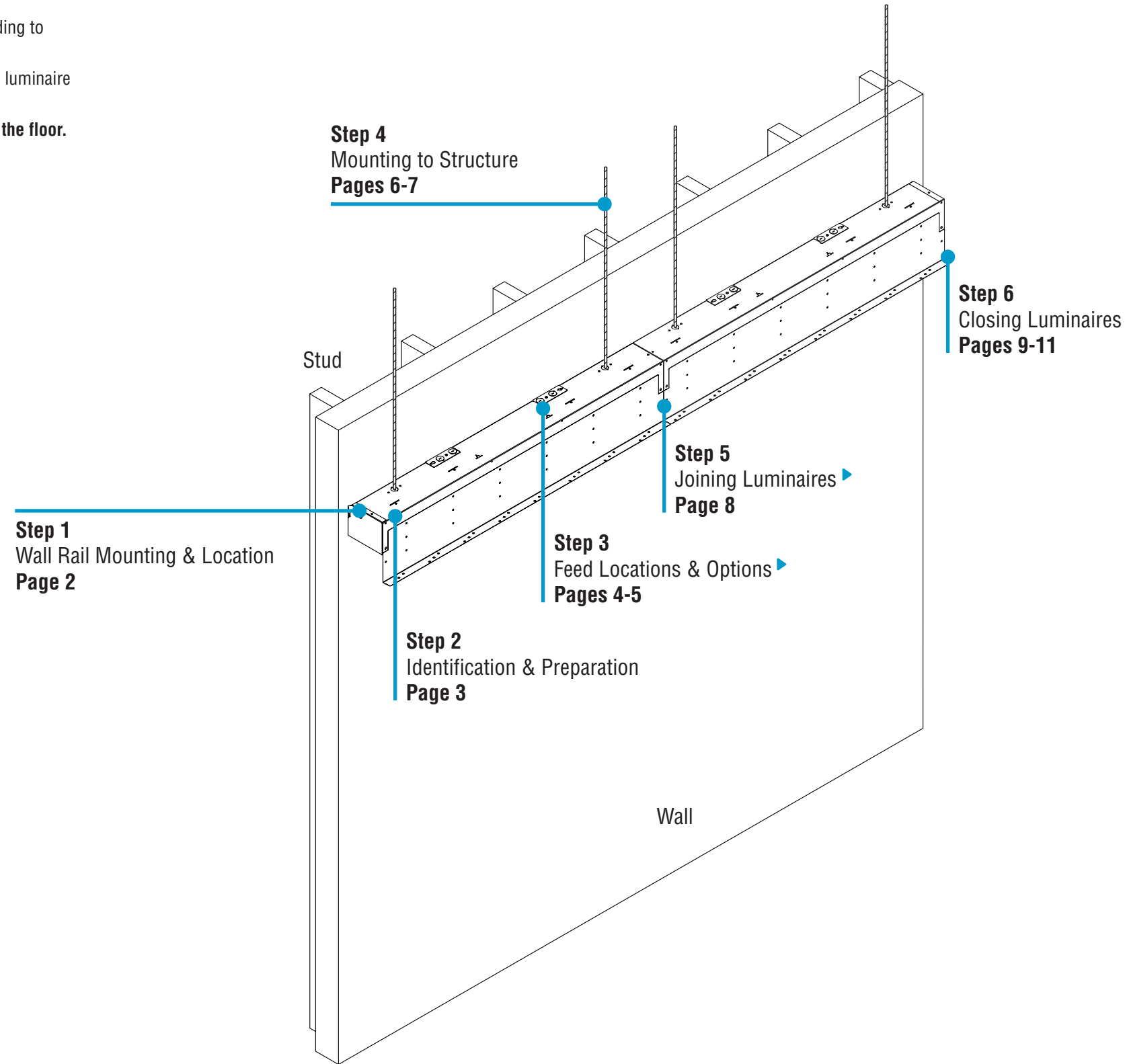
HELPFUL
VIDEO



0-10V
Dimming



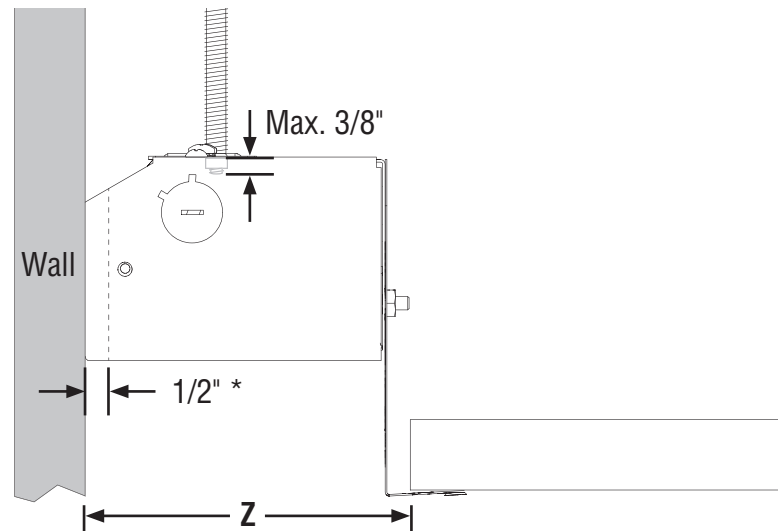
Simple
Plug-Together
Wiring



HP-WG Post-Ceiling Spackle Flange Installation Instructions

Step 1 - Mounting Locations & Methods

A. Create Rough In Side View

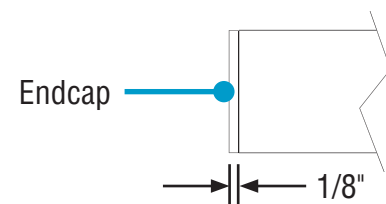


* Gasket provided by Finelite goes into this 1/2" gap between the luminaire and the wall

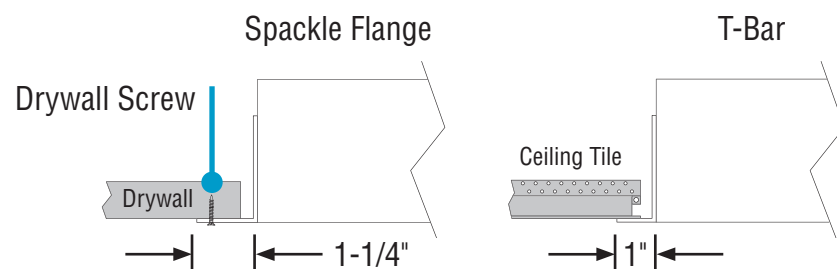
Luminaire Depth	Rough In Opening (in)
2", 4" & 6"	Z = 6-1/2

Endcap Information (Side Views):

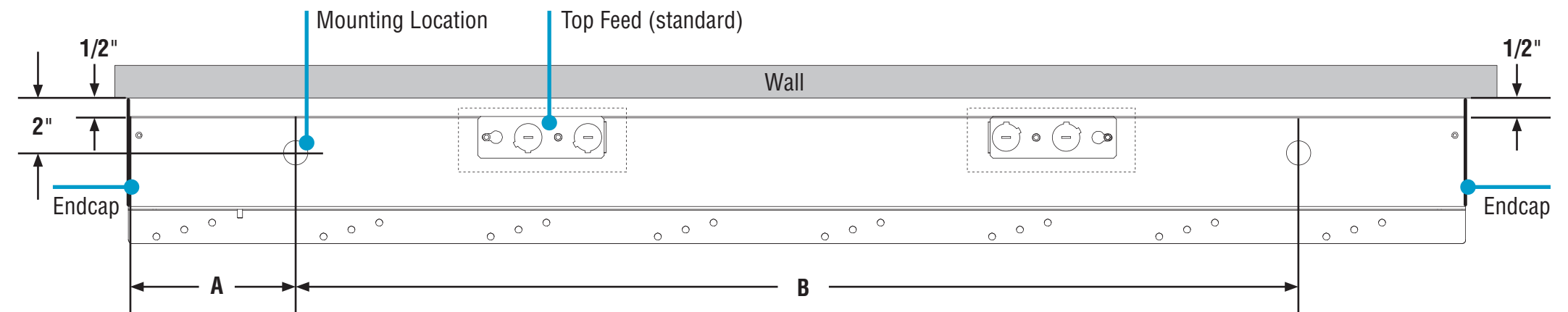
The **Wall-to-Wall Endcap** adds 1/8" per endcap.



The **Pocket Slot Endcap** adds 1-1/4" for Spackle Flange and 1" for T-Bar per endcap.

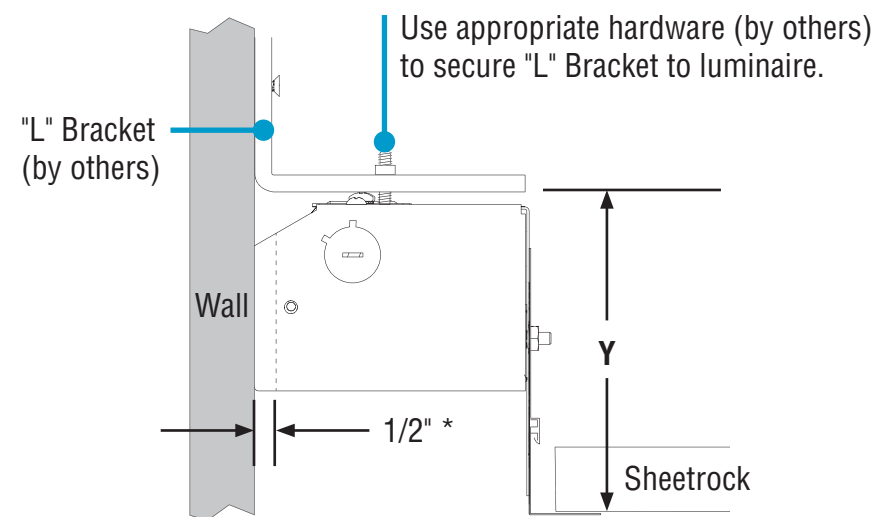


B. Mounting Locations Top View



Luminaire Length	A (in)	B (in)
2'	3	18
3'	3	30
4'	6	36
8'	6	84

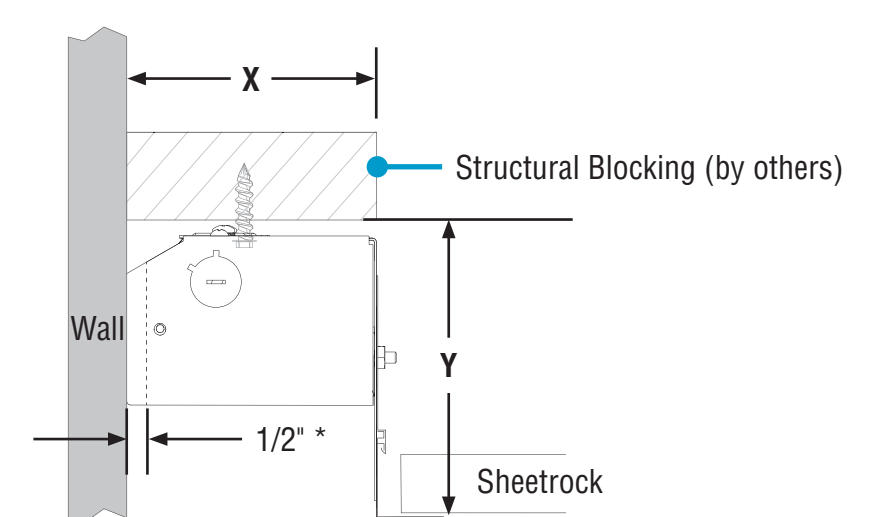
Alternative "L" Bracket Mounting (by others)



* Gasket provided by Finelite goes into this 1/2" gap between the luminaire and the wall

Luminaire Depth	Y (in)
2"	5-1/8
4"	7-1/8
6"	9-1/8

Alternative Mount to Structure (by others)



* Gasket provided by Finelite goes into this 1/2" gap between the luminaire and the wall

Luminaire Depth	X (in)	Y (in)
2"	6-5/8	5-1/8
4"	6-5/8	7-1/8
6"	6-5/8	9-1/8

HP-WG Post-Ceiling Spackle Flange Installation Instructions

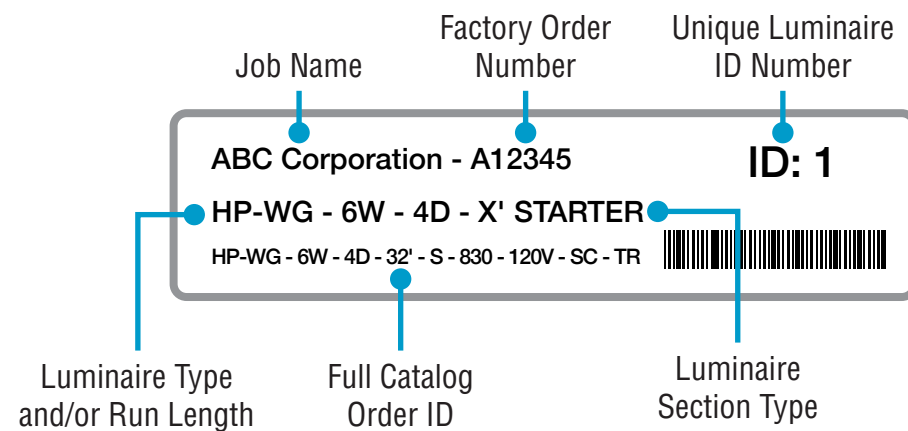
Step 2 - Identification & Preparation

A. Identify Luminaires

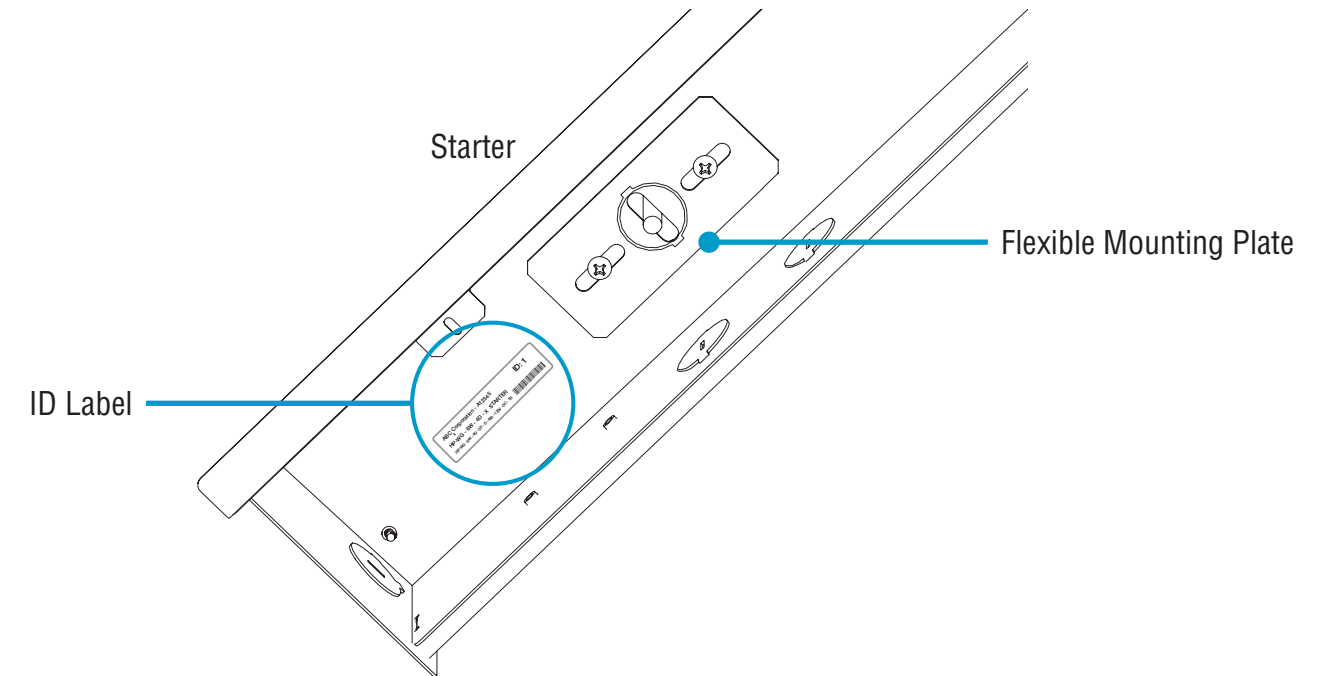


CAUTION

Arrange luminaires in order according to ID# at their install locations.



Bottom-Up View



- Identify all luminaires by their ID label that can be found on the box and inside the luminaire.
- **NOTE:** Exact location of labels in these areas may vary.
- Remove all luminaires from their box.
- Refer to Record Drawings that can be found in the hardware kit.

Kitted Hardware

- Finelite has provided items listed here, with their Finelite part numbers. These items can be found in separate boxes shipped with the luminaire.
- Account for all parts and set aside until they are needed.
- All other hardware needed for this installation will be by others.



#8-18 x 1/4" Screw
Part# 69026
Feed Locations & Options
p. 4, Step 3
Mounting Starter to Structure
p. 6-7, Step 4
Joining Luminaires
p. 9, Step 5



#10-32 Screw
Part# 94144
Feed Locations & Options
p. 4, Step 3

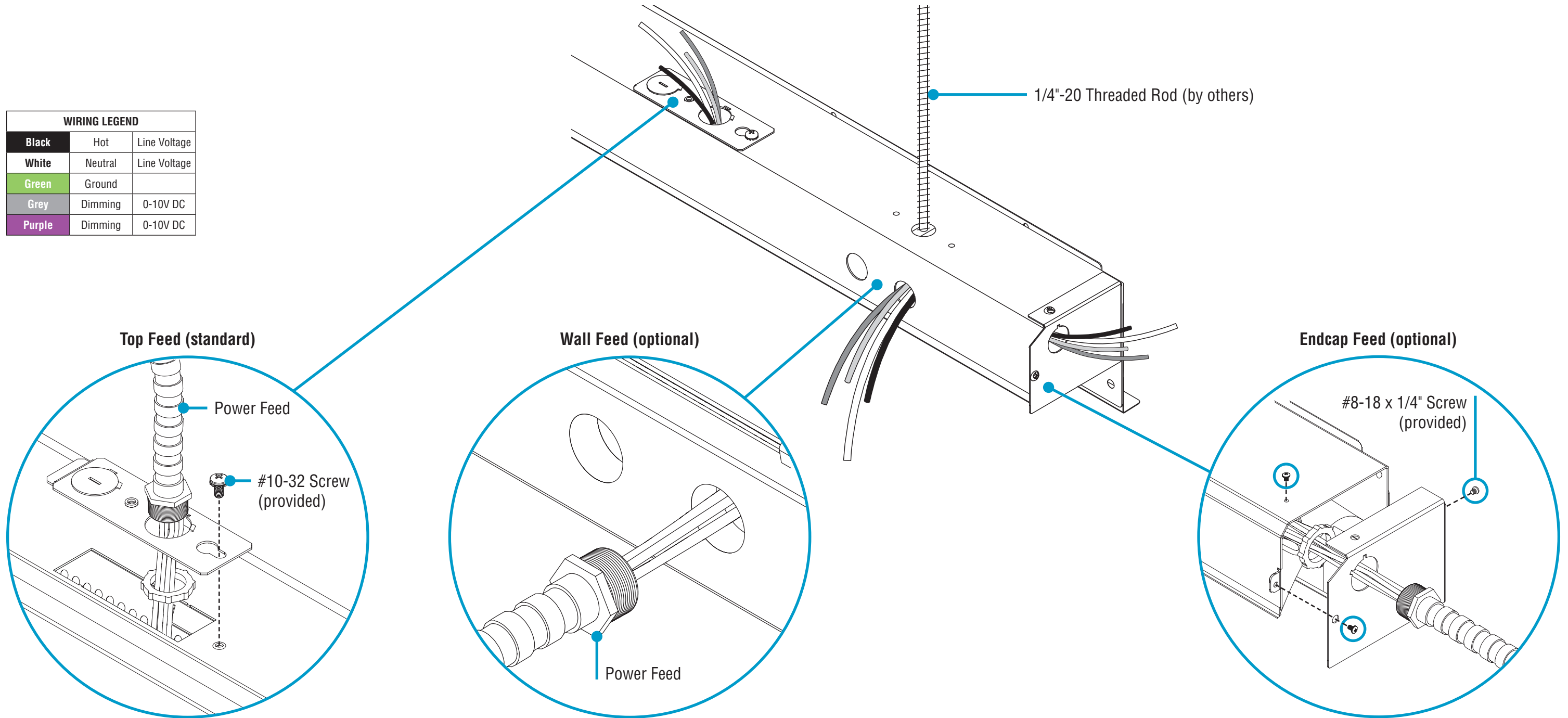



Cover Sleeve
Part# 10719
Closing Luminaires
p. 11, Step 6

HP-WG Post-Ceiling Spackle Flange Installation Instructions

Step 3 - Feed Locations & Options

WIRING LEGEND		
Black	Hot	Line Voltage
White	Neutral	Line Voltage
Green	Ground	
Grey	Dimming	0-10V DC
Purple	Dimming	0-10V DC



 #8-18 x 1/4" Screw (provided)

 #10-32 Screw (provided)

CONTINUED



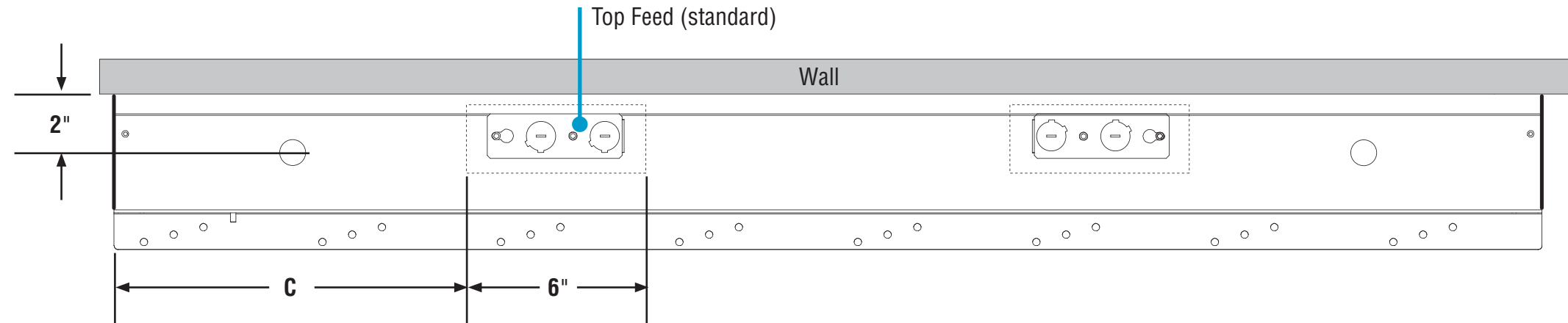
0-10V Dimming

HP-WG Post-Ceiling Spackle Flange Installation Instructions

Step 3 - Feed Locations & Options

Top Feed Top View

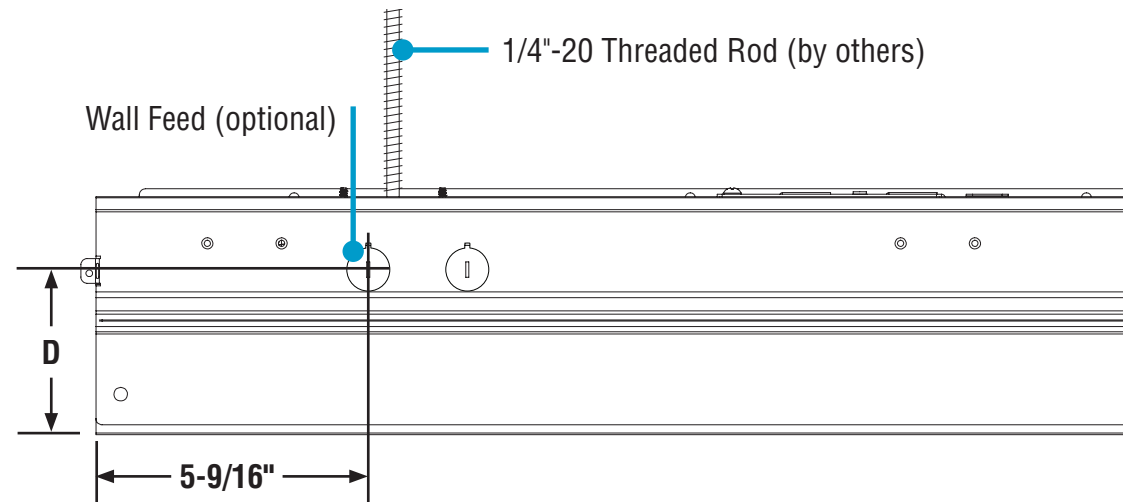
Luminaire Length	C (in)
2'	5
3'	5
4'	12
8'	12



Top Feed Location (standard)

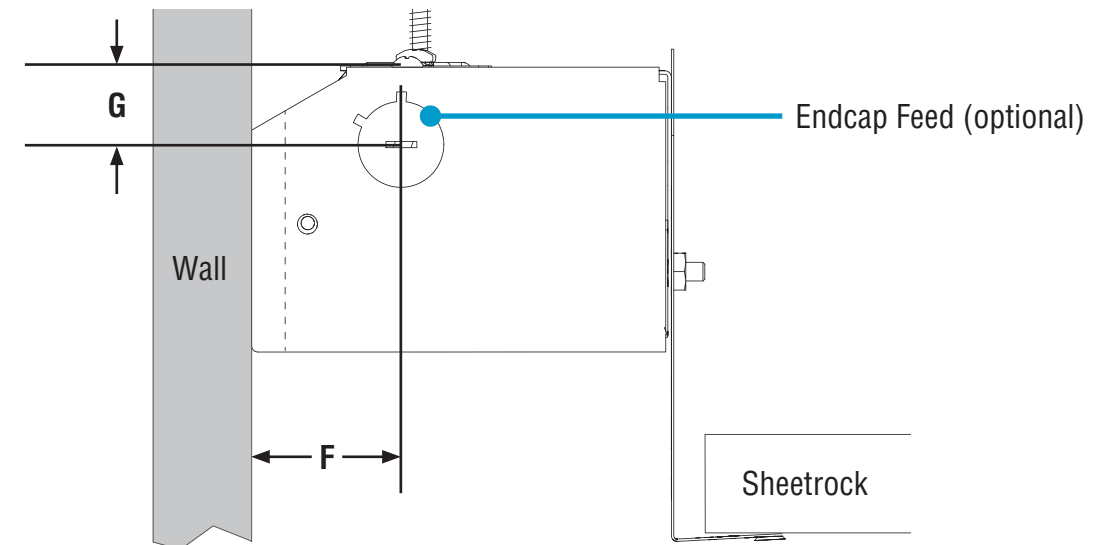
- Use chart above to find measurement of C for feed location.
- **NOTE:** For tailored length luminaire power feed locations, contact factory.

Wall Feed Back View



Luminaire Depth	D (in)
2"	3-5/16
4"	5-5/16
6"	7-5/16

Endcap Feed Side View

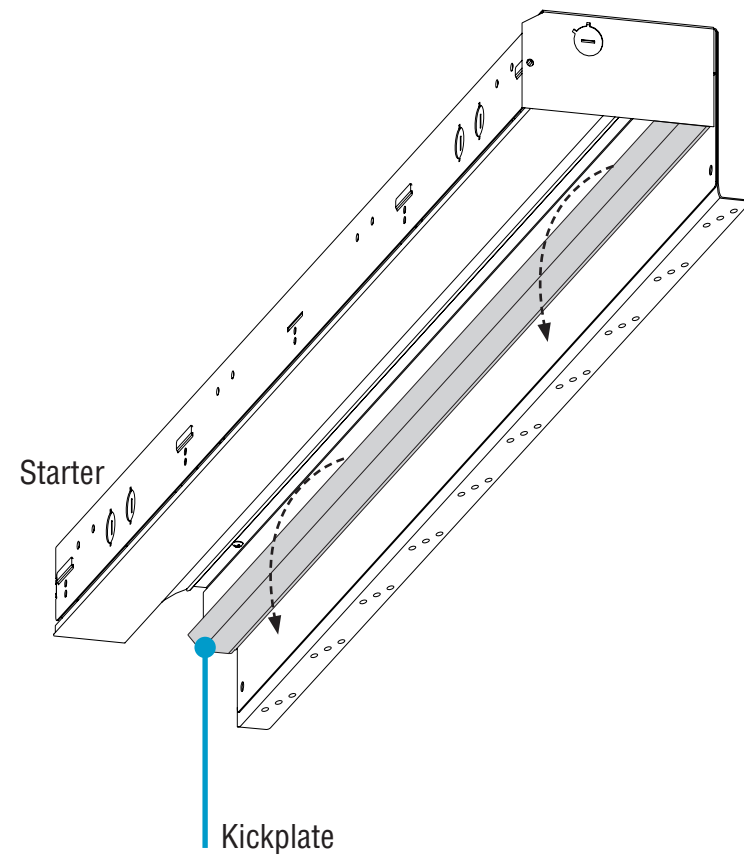


Luminaire Width	F (in)	G (in)
6"	2	13/16

HP-WG Post-Ceiling Spackle Flange Installation Instructions

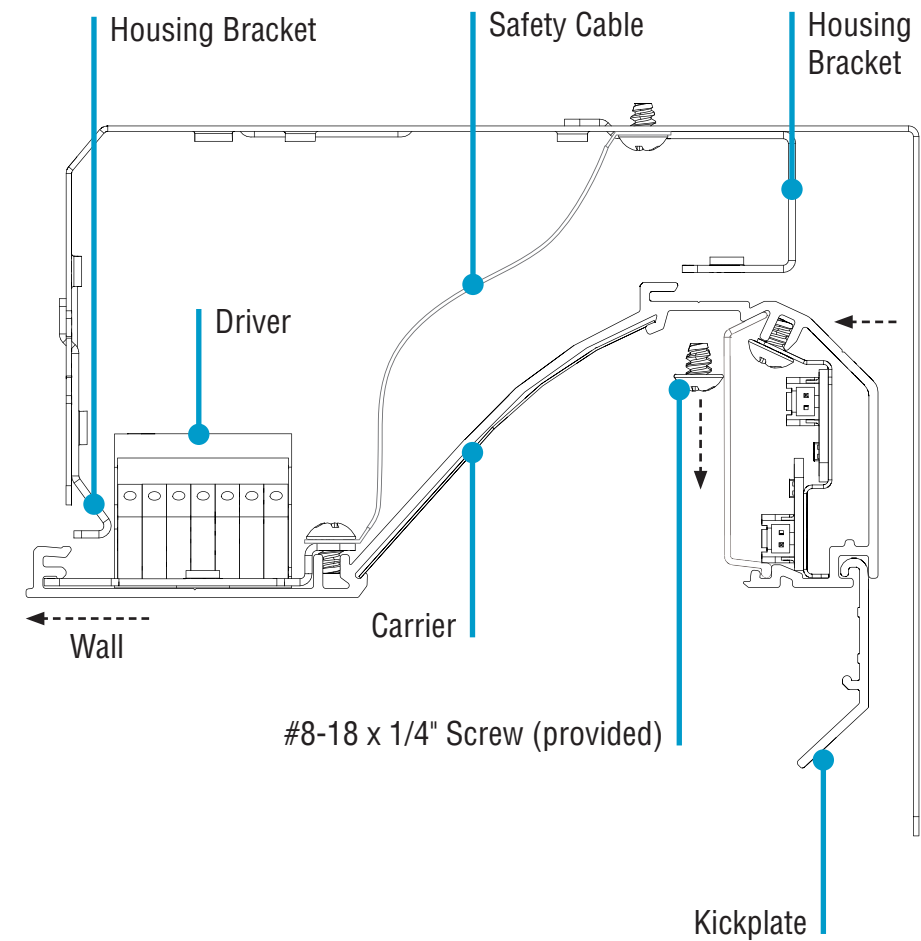
Step 4 - Mounting Starter to Structure

A. Open Kickplate Bottom-Up View




- Make electrical connections according to feed location and options.
- To access carrier, open kickplate by unsnapping along the whole length of the luminaire (about every 6").

B. Remove Carrier Side View



- Once kickplate has been opened, remove the #8-18 x 1/4" screw and slide carrier toward wall to detach from housing.
- **NOTE:** The carrier will be suspended by safety cables but you can remove them for complete open access.

 #8-18 x 1/4" Screw
(provided)

CONTINUED

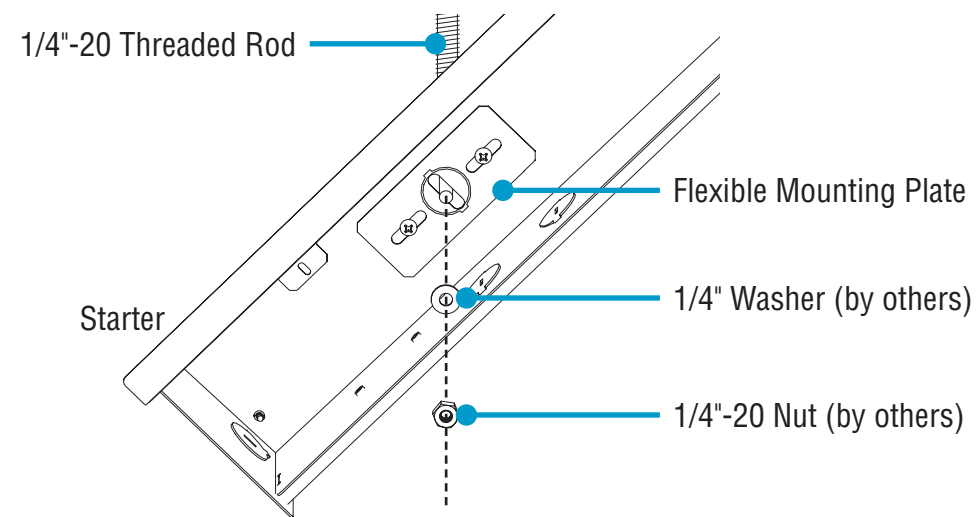
HP-WG Post-Ceiling Spackle Flange Installation Instructions

Step 4 - Mounting Starter to Structure

C. Mount Luminaire

Standard

Bottom-Up View

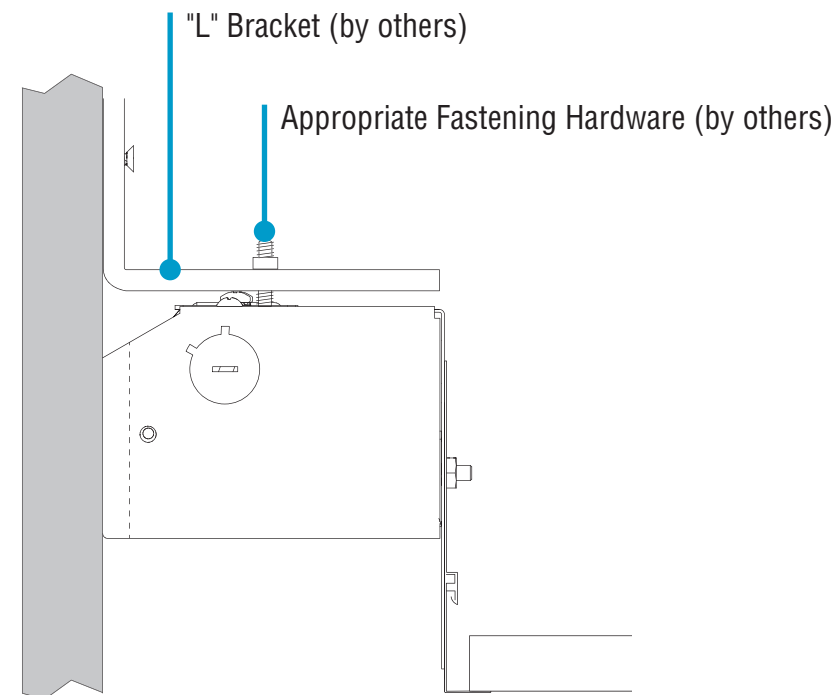


MOUNT TO THREADED ROD (Standard)

- Mount the luminaire to structure using a 1/4"-20 nut and washer on a threaded rod.
- **NOTE:** The flexible mounting plate can move for a precise fit.
- If there is no joiner/ender, then tighten nuts fully. **PROCEED TO STEP 6.**

Option 1

Side View

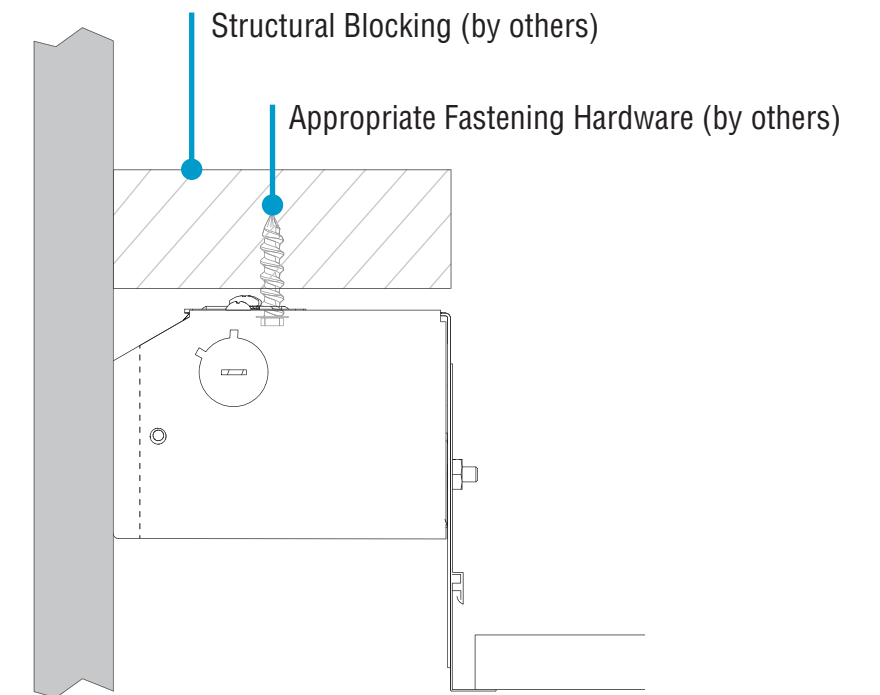


MOUNT TO "L" BRACKET (Optional)

- Mount the luminaire to structure using an "L" bracket with appropriate fastening hardware.
- **NOTE:** The flexible mounting plate can move for a precise fit.
- If there is no joiner/ender, then tighten nuts fully. **PROCEED TO STEP 6.**

Option 2

Side View



MOUNT TO STRUCTURE (Optional)

- Mount the luminaire to structure using appropriate fastening hardware.
- **NOTE:** The flexible mounting plate can move for a precise fit.
- If there is no joiner/ender, then tighten fully. **PROCEED TO STEP 6.**



#8-18 x 1/4" Screw
(provided)



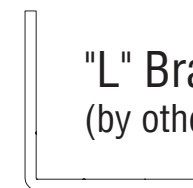
1/4"-20 Nut
(by others)



1/4" Washer
(by others)



1/4"-20 Lag Bolt
(by others)

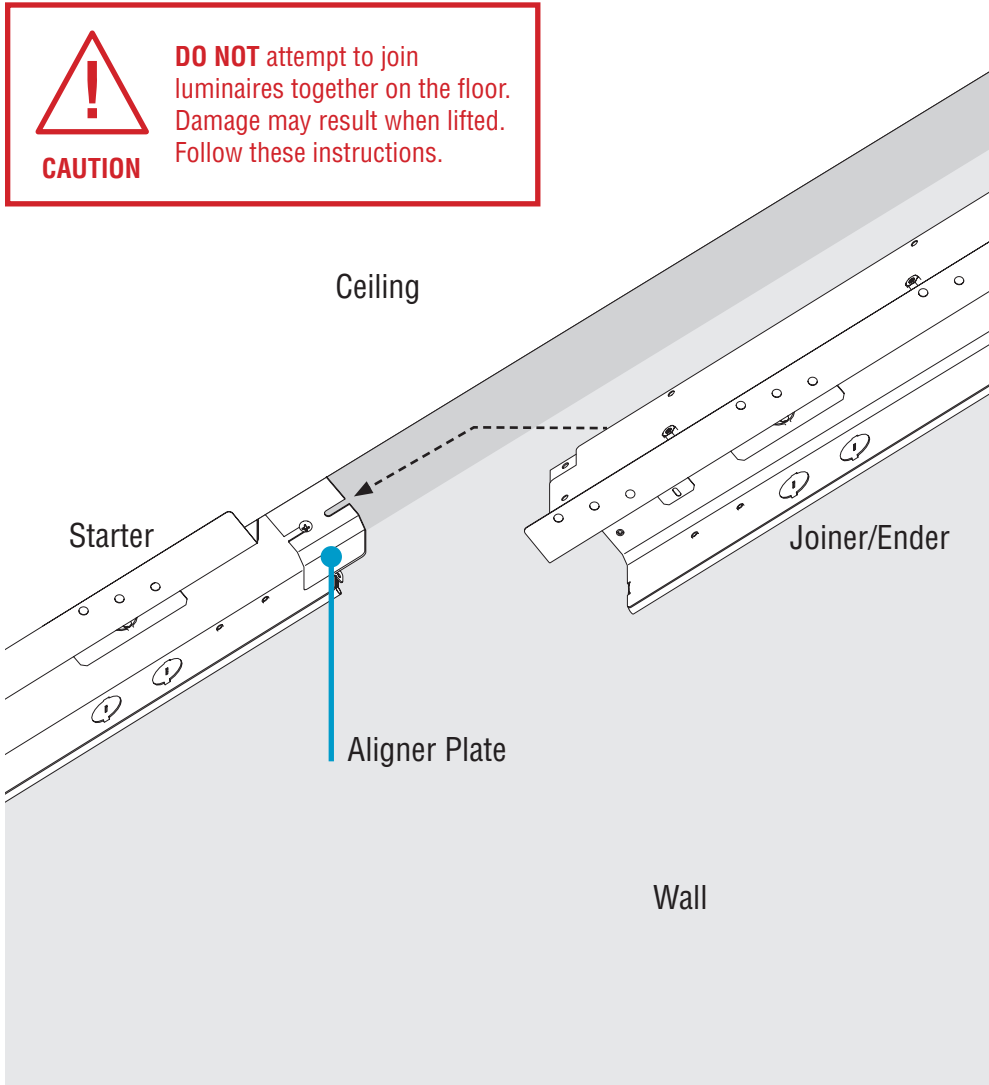


"L" Bracket
(by others)

HP-WG Post-Ceiling Spackle Flange Installation Instructions

Step 5 - Joining Luminaires

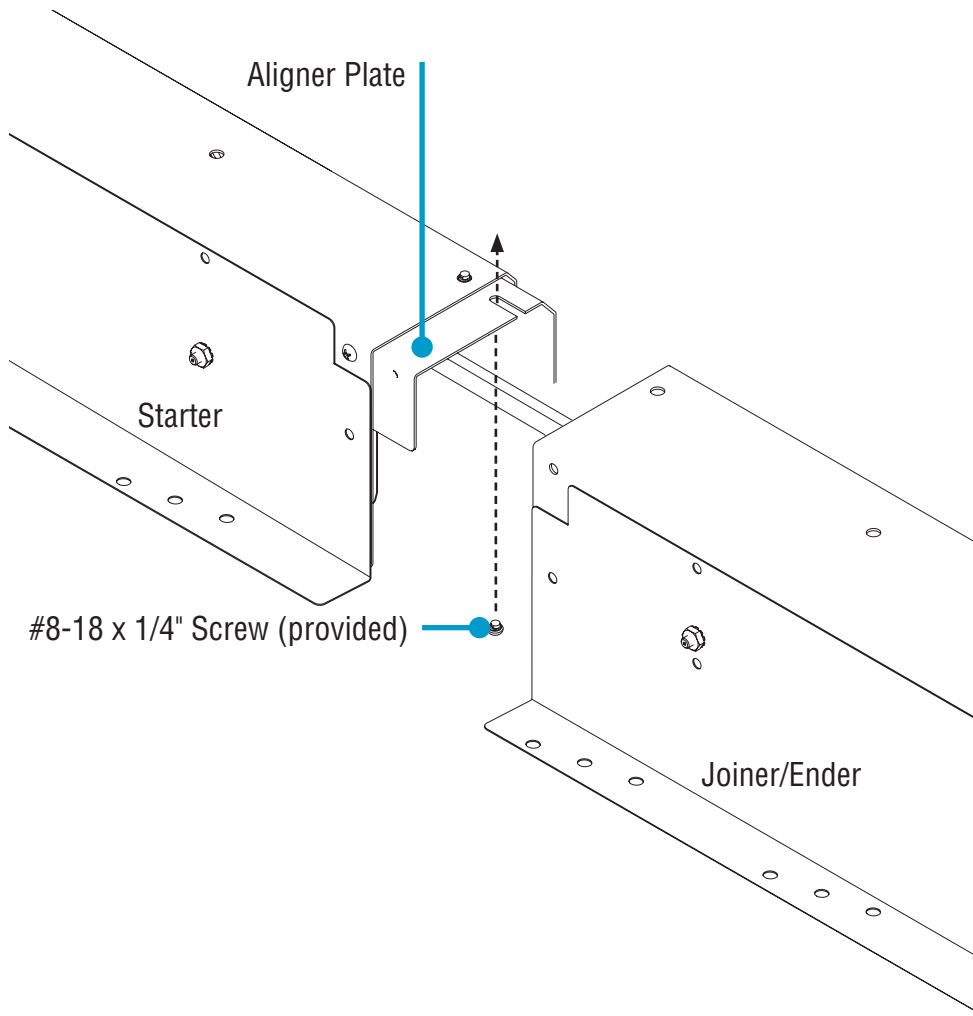
A. Install Joiner/Ender Bottom-Up View



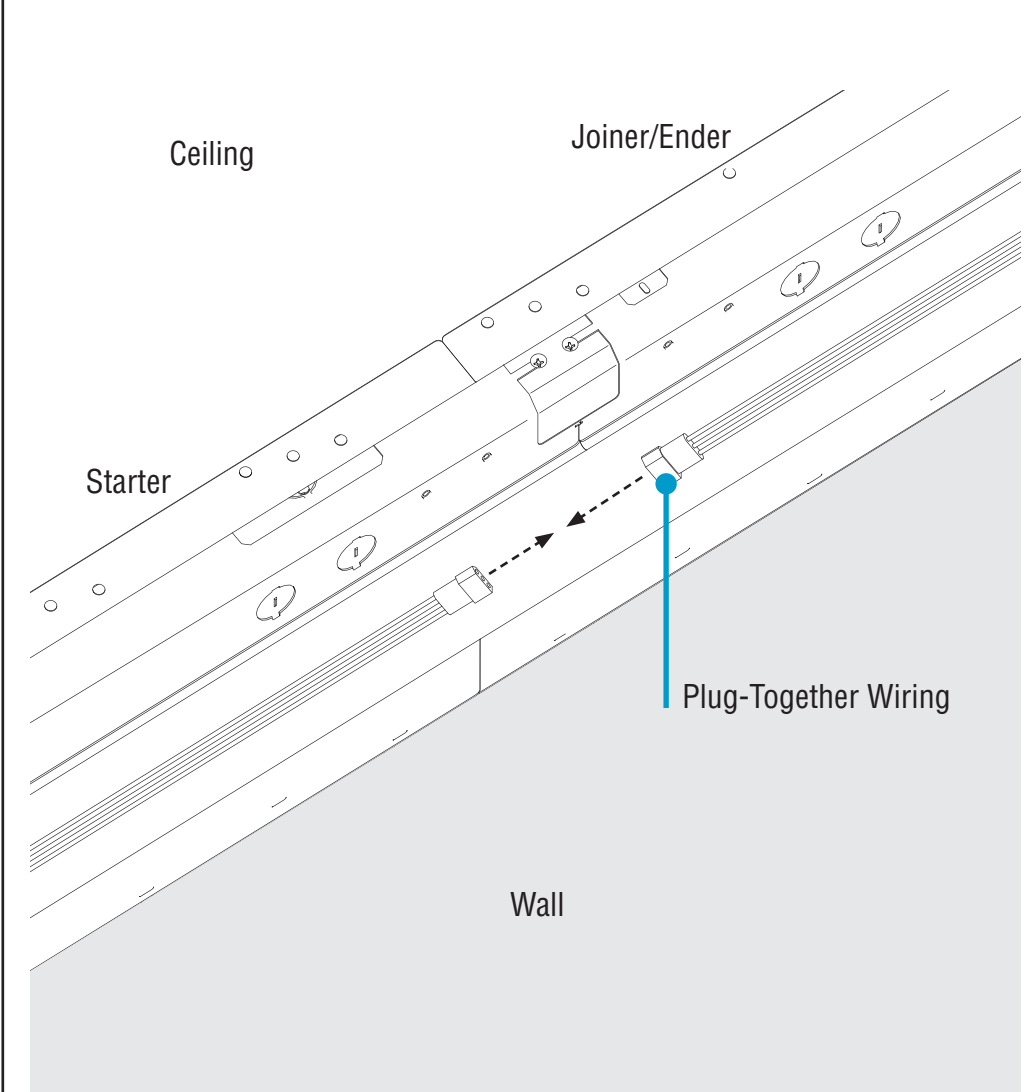
CAUTION

DO NOT attempt to join luminaires together on the floor. Damage may result when lifted. Follow these instructions.

B. Secure Aligner Plate Top View




C. Plug-Together Wiring Bottom-Up View



- Slide the joiner/ender luminaire over the aligner plate on the installed luminaire.
- See Step 3C for how to secure a joiner/ender luminaire to structure.
- **NOTE:** Slightly tilt starter and joiner/ender luminaires before installing onto wall.

- Ensure that the holes are aligned on the plate.
- Fasten the joiner/ender luminaire to the aligner plate from below using a #8-18 x 1/4" screw.
- **CAUTION:** Do not over-tighten.

- Connect the plug-together wiring.
- Secure all luminaires by tightening all nuts to threaded rods.

 #8-18 x 1/4" Screw
(provided)

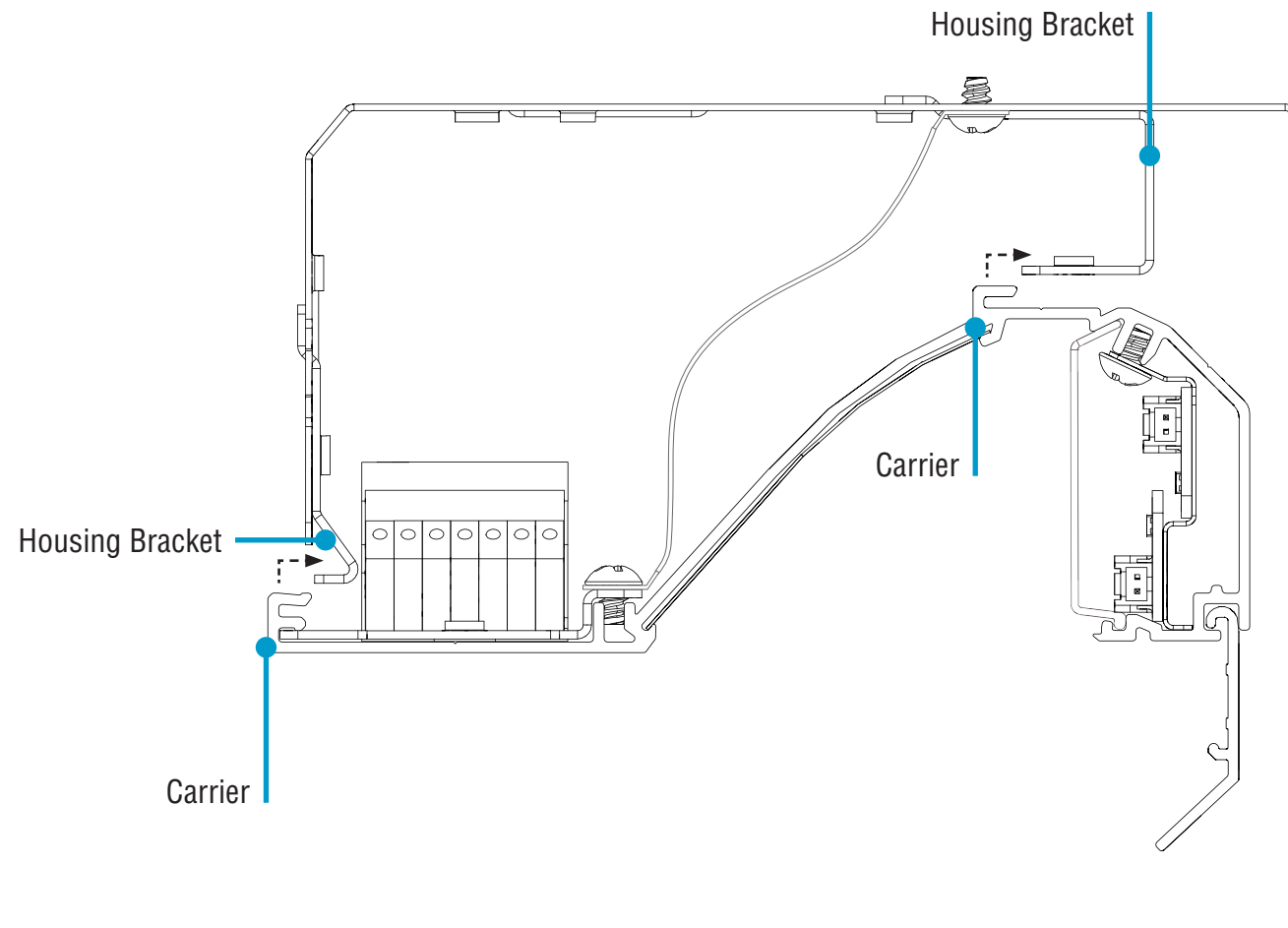


Simple
Plug-Together
Wiring


HP-WG Post-Ceiling Spackle Flange Installation Instructions

Step 6 - Closing Luminaires

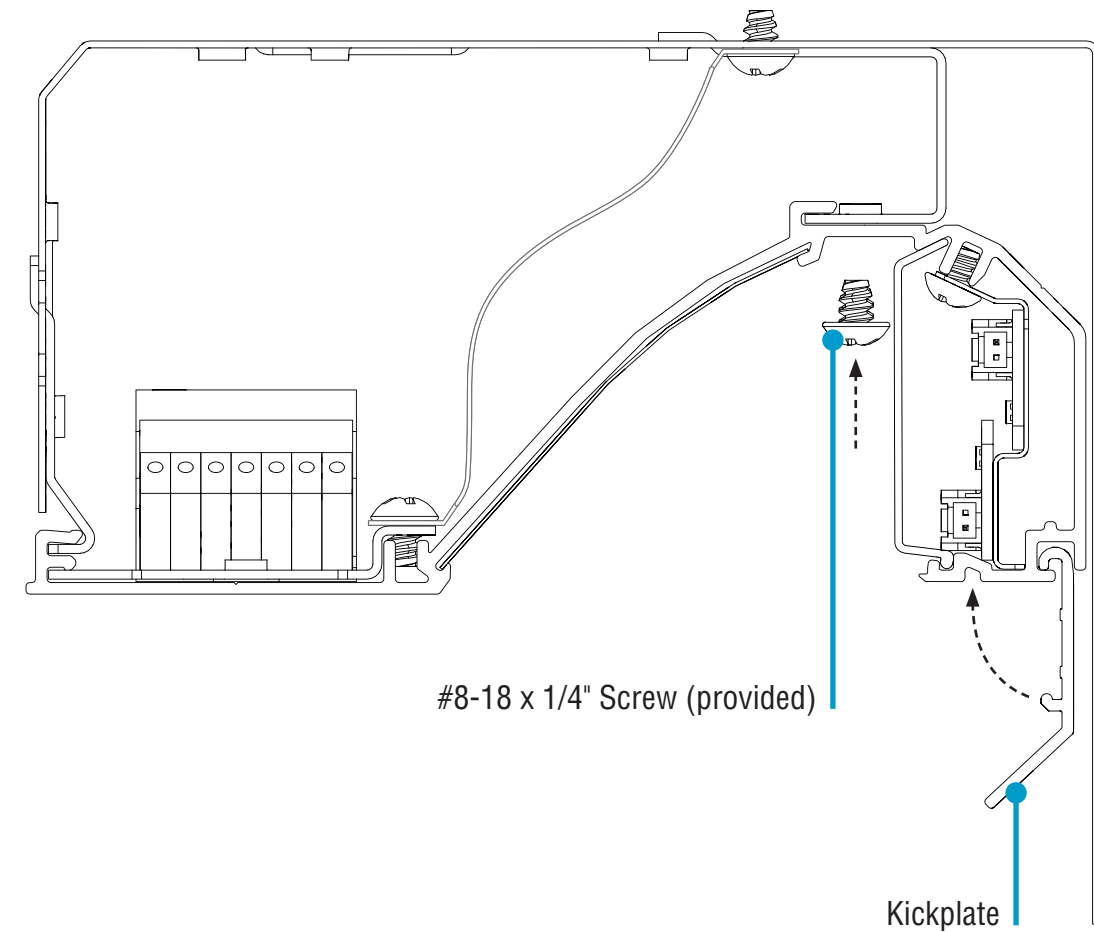
A. Replace Carrier Side View



- Hook carrier to the housing brackets.

 #8-18 x 1/4" Screw (provided)

B. Secure Carrier & Snap Kickplate Side View



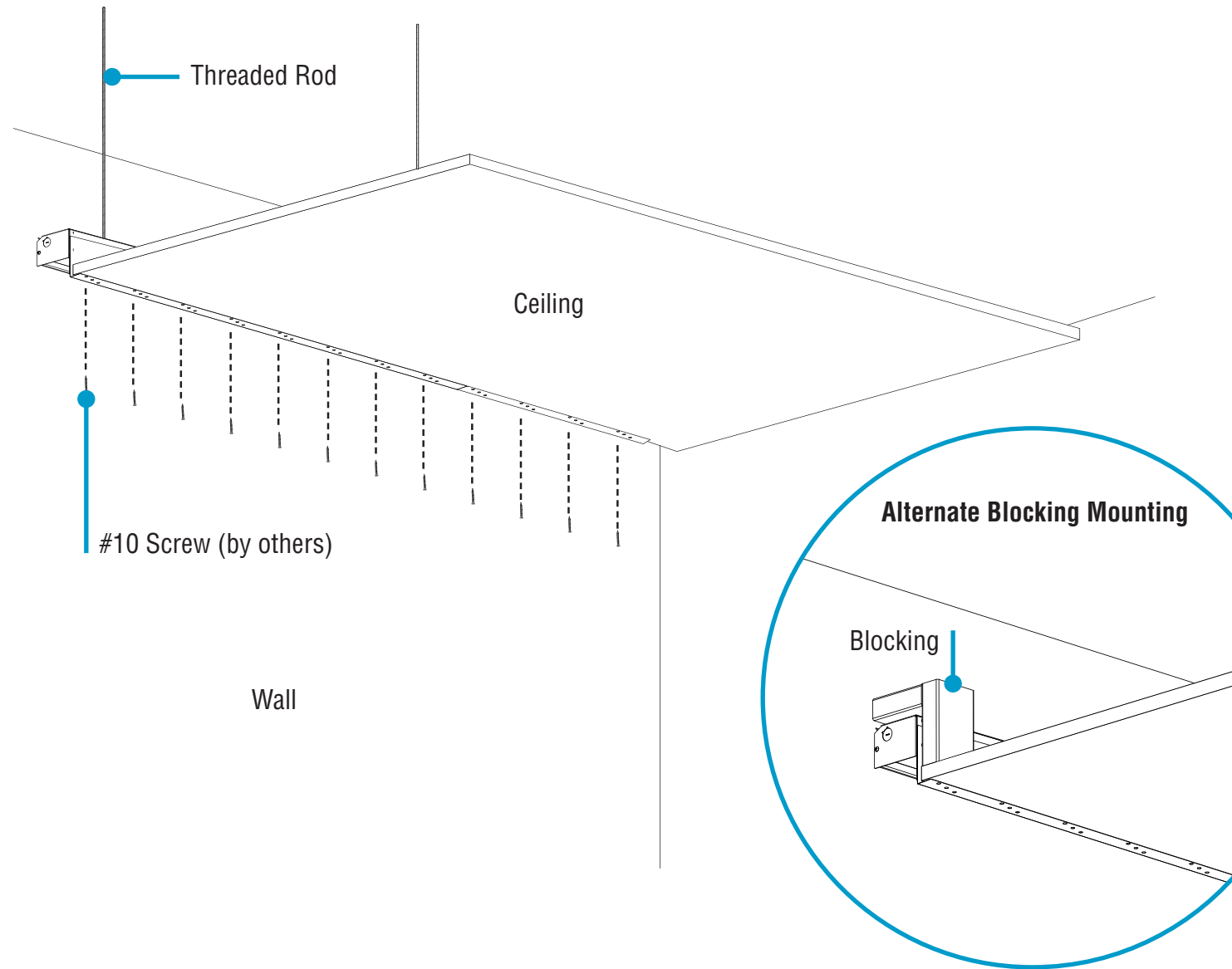
- Secure carrier with #8-18 x 1/4" screw.
- Rotate kickplate and snap back into place along the whole length of the luminaire (about every 6").

CONTINUED

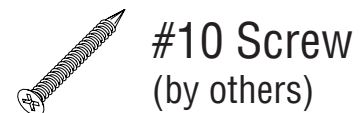
HP-WG Post-Ceiling Spackle Flange Installation Instructions

Step 6 - Closing Luminaires

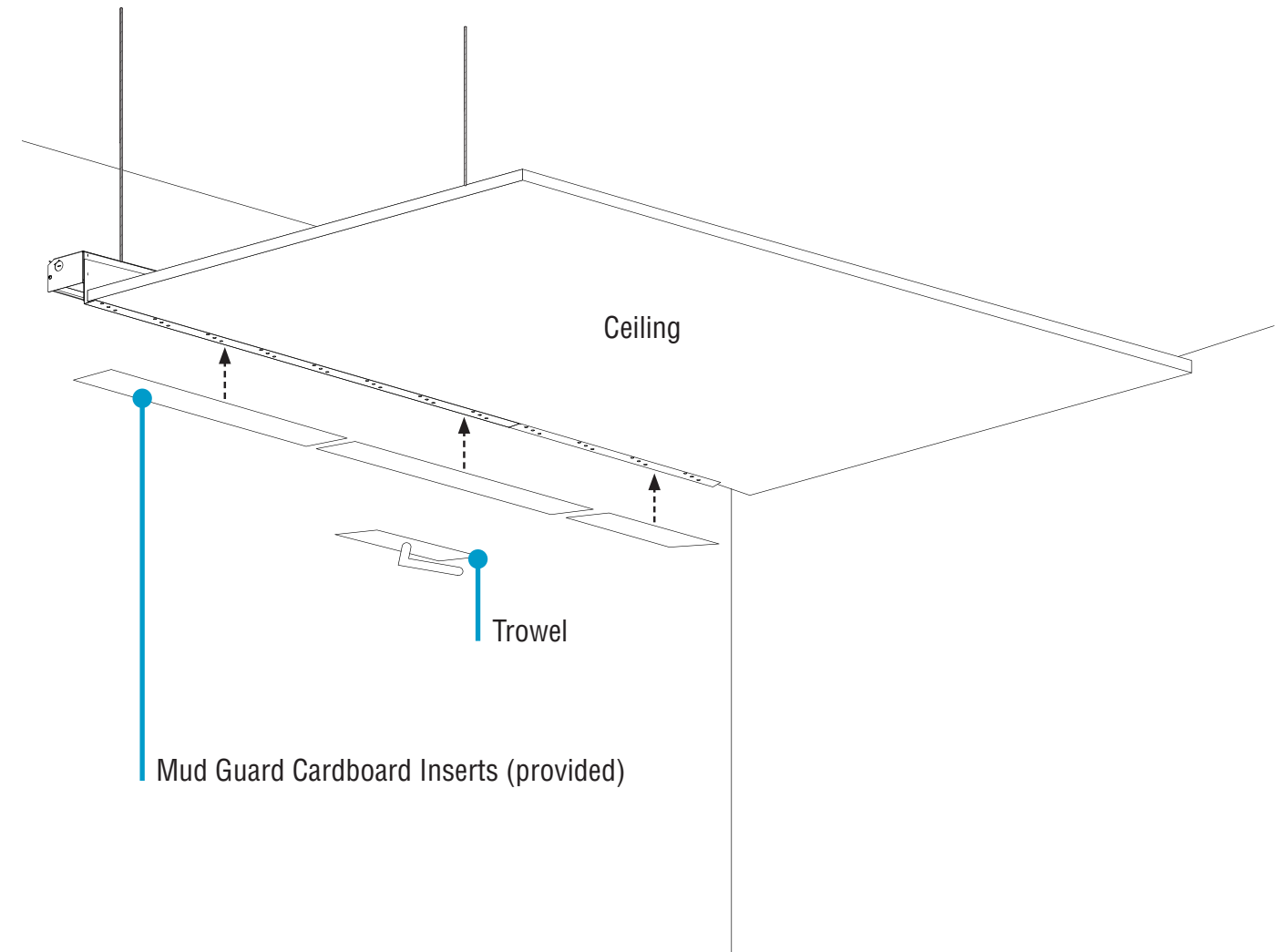
C. Secure Spackle Flange Bottom-Up View



- Secure the spackle flange to the drywall by using #10 screws.



D. Install Mud Guards Bottom-Up View



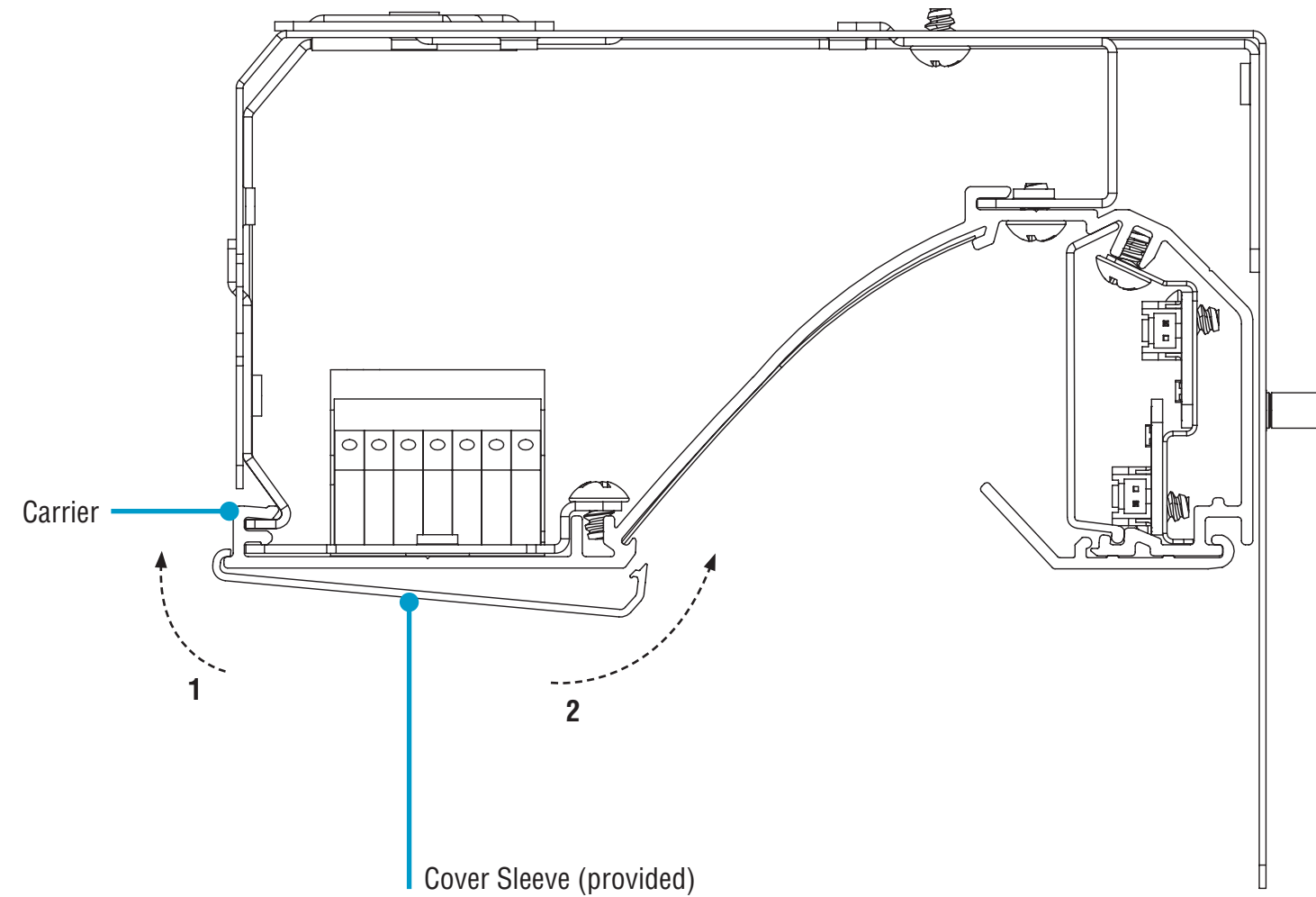
- Install the “mud guard” cardboard inserts to help prevent spackle and paint from getting into the luminaire.
- Spackle to cover the flange.
- Perform all spackling and painting to wall and ceiling before removing mud guards.

CONTINUED

HP-WG Post-Ceiling Spackle Flange Installation Instructions

Step 6 - Closing Luminaires

E. Final Step - Install Cover Sleeve Side View



- 1. Hook back edge of cover sleeve over edge of carrier.
- 2. Snap front edge of cover sleeve in place along the whole length of the luminaire (about every 6").
- Once cover sleeve is in place, turn power on to luminaire.



Cover Sleeve
(provided)