

HP-WG Driver Replacement Instructions

Overview

NOTES

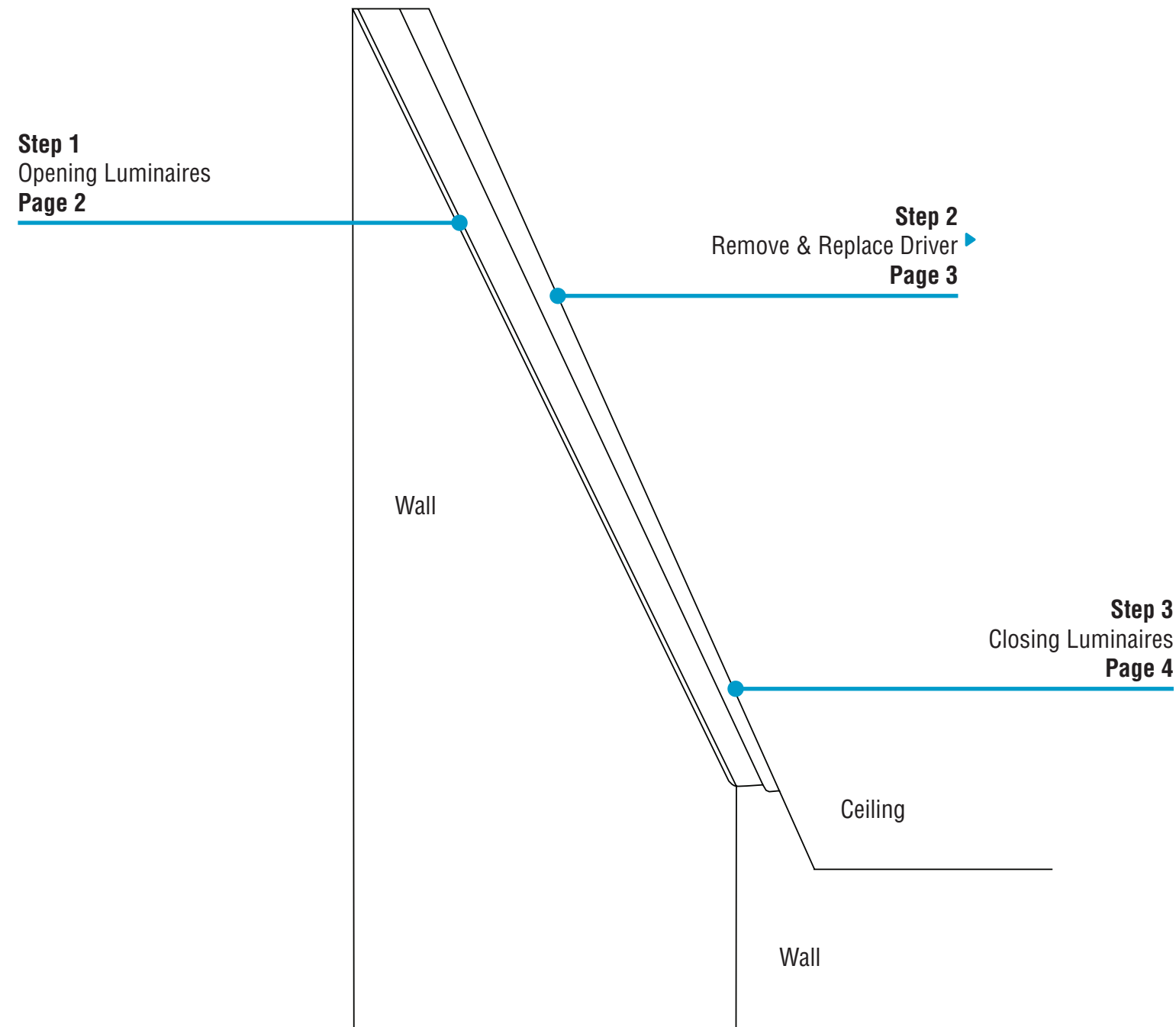
- This Driver Replacement Instructions applies to all Mounting Methods.
- All power connections should be installed according to local/national codes by a Certified Electrician.



HELPFUL
VIDEO



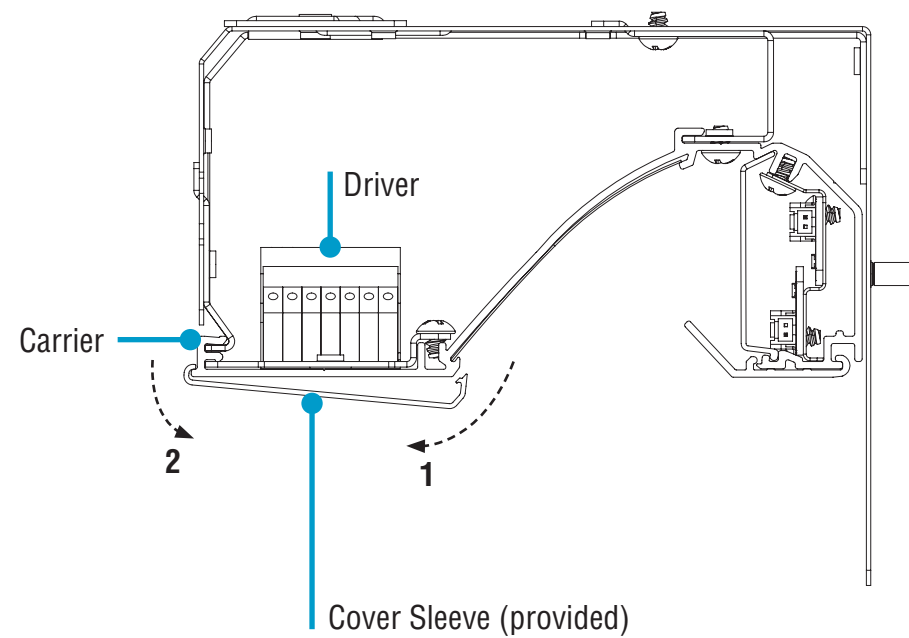
0-10V
Dimming



HP-WG Driver Replacement Instructions

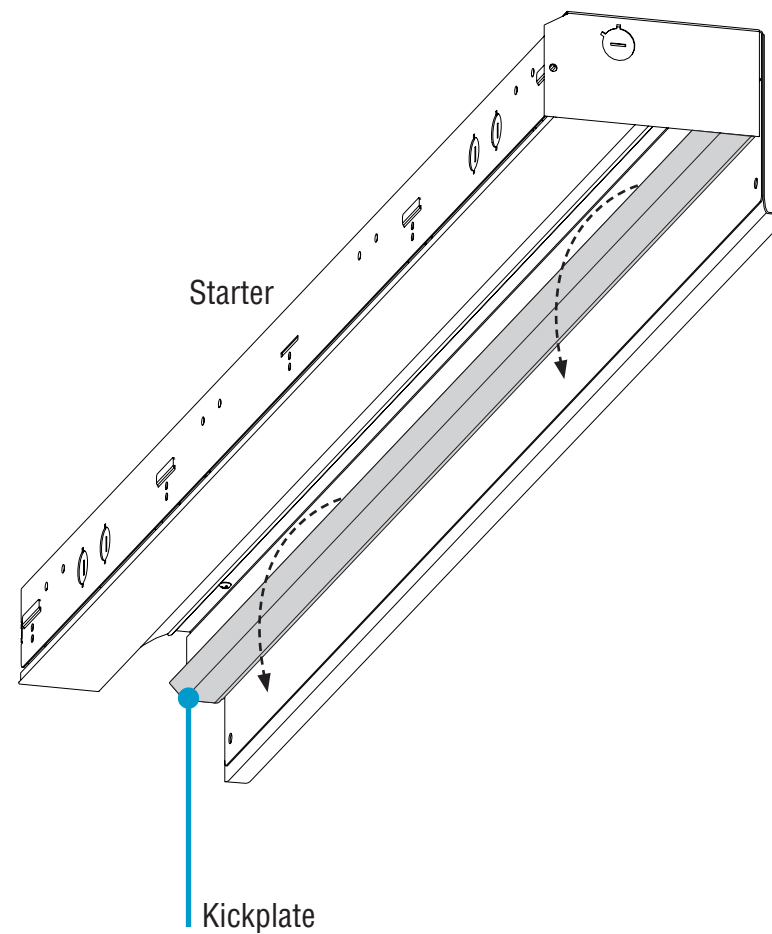
Step 1 - Opening Luminaires

A. Remove Cover Sleeve Side View



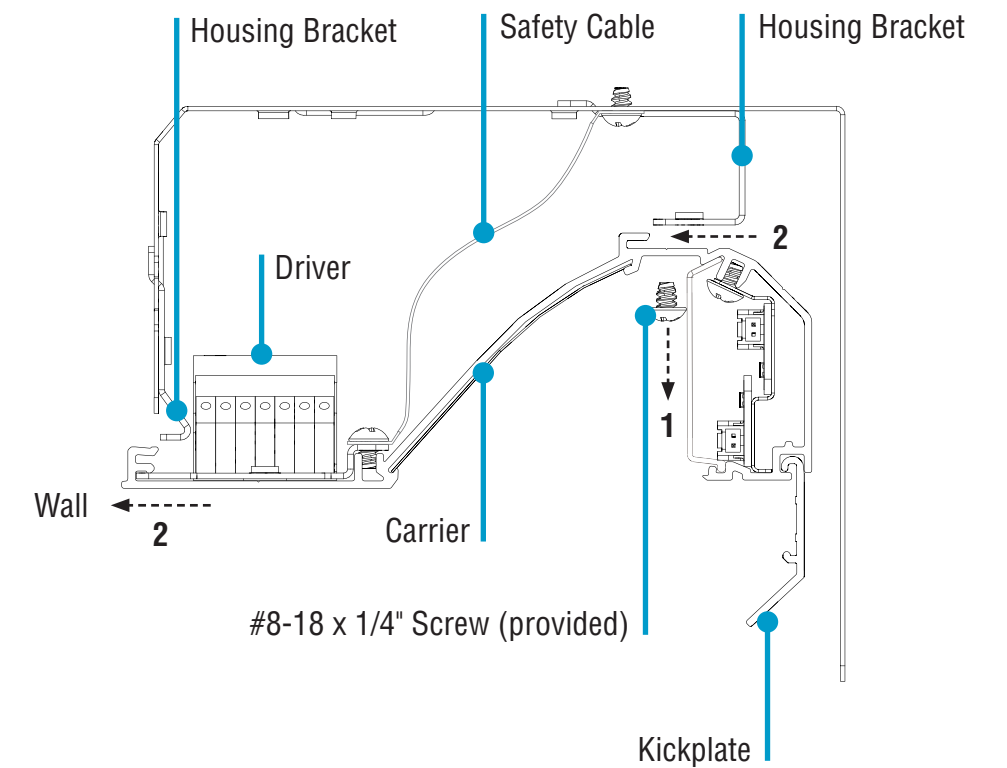
- Turn power off to luminaire.
- 1. Remove cover sleeve by unsnapping front edge of cover sleeve down along the whole length of luminaire (about every 6").
- 2. Remove back edge of cover sleeve from edge of carrier.

B. Open Kickplate Bottom-Up View

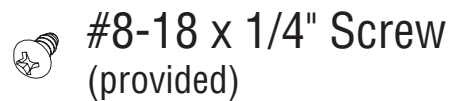


- Unsnap kickplate along the whole length of luminaire (about every 6").

C. Remove Carrier Side View



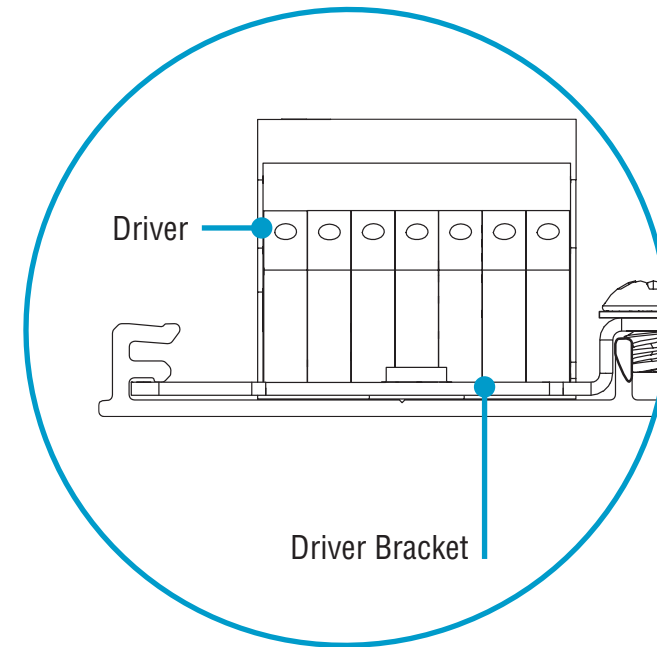
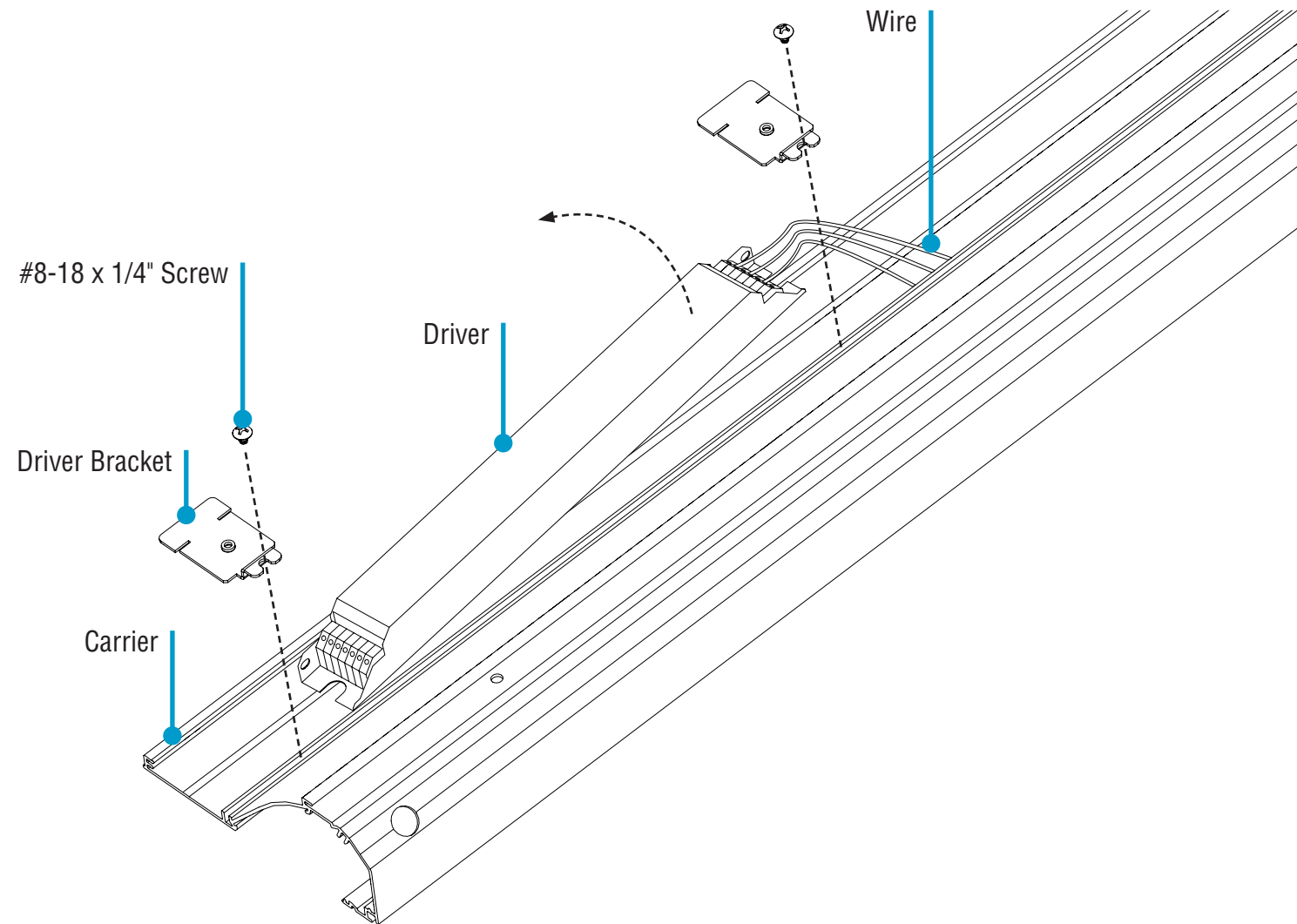
- 1. Once kickplate has been opened, remove the #8-18 x 1/4" screw.
- 2. Slide carrier toward wall to detach from housing.
- **NOTE:** The carrier will be suspended by safety cables but you can remove them for complete open access.



HP-WG Driver Replacement Instructions


Step 2 - Remove & Replace Driver

Replace Driver Top View



- Remove #8-18 x 1/4" screws from driver brackets that secure the driver to the carrier.
- Remove driver brackets.
- Disconnect all wiring from driver.
- Remove old driver and replace with new driver.
- Reconnect all wiring to driver.
- Reinstall driver brackets in the correct metal extrusion channel by replacing #8-18 x 1/4" screws.

WIRING LEGEND		
Black	Hot	Line Voltage
White	Neutral	Line Voltage
Green	Ground	
Pink	Dimming	0-10V DC
Purple	Dimming	0-10V DC

 #8-18 x 1/4" Screw
(provided)

 Driver Bracket
(provided)

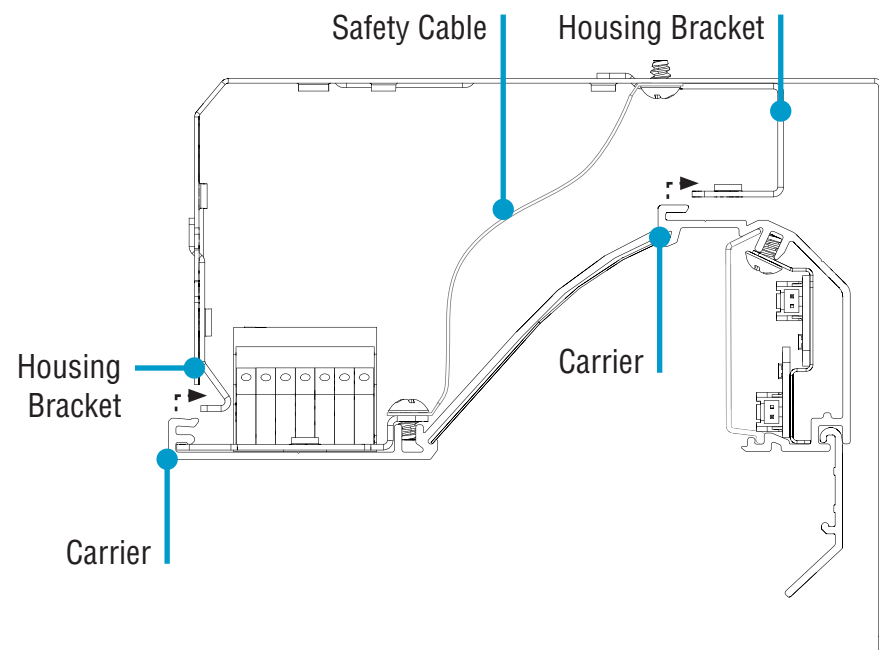


0-10V
Dimming

HP-WG Driver Replacement Instructions

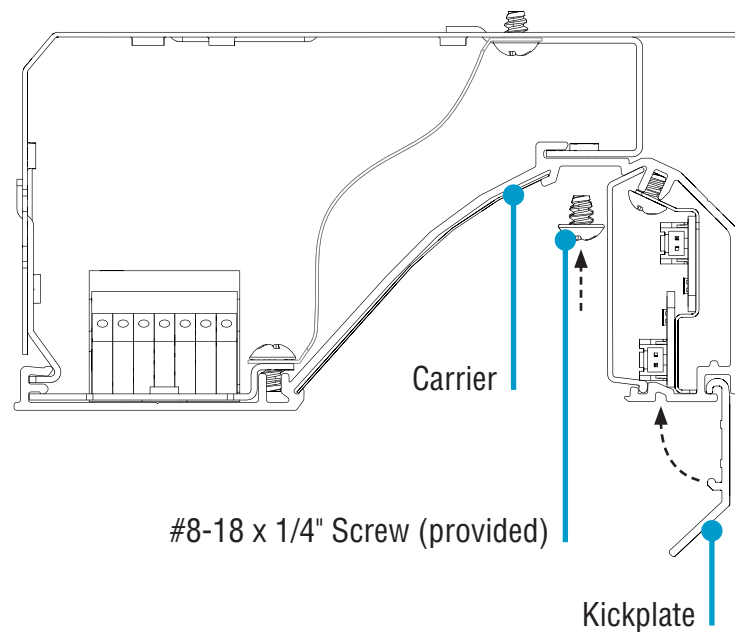
Step 3 - Closing Luminaires

A. Replace Carrier Side View



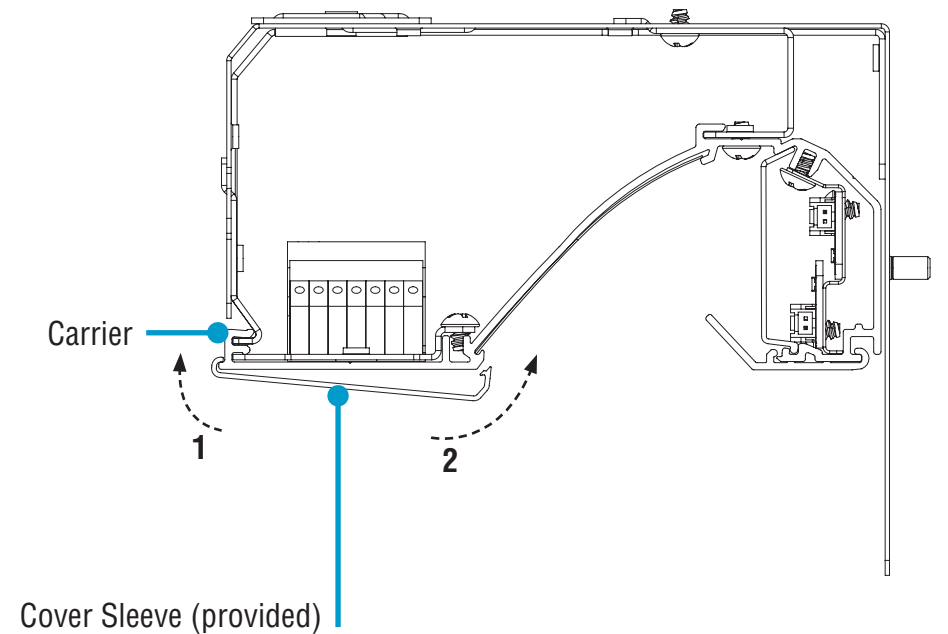
- Reconnect safety cable (if needed).
- Replace carrier by hooking it to housing brackets.

B. Secure Carrier & Snap Kickplate Side View



- Secure carrier with #8-18 x 1/4" screw.
- Rotate kickplate and snap back into place along the whole length of luminaire (about every 6").

C. Install Cover Sleeve Side View



- 1. Hook back edge of cover sleeve over edge of carrier.
- 2. Snap front edge of cover sleeve in place along the whole length of the luminaire (about every 6").
- Once cover sleeve is in place, turn power on to luminaire.

