



High Performance

# Perimeter Lighting

Declare.



Features

# Tailored Output

Optimizing lighting levels to accommodate architectural design elements and code requirements.

## Static White Output Options:

- Standard (S)
- Boosted Standard (B)
- High (H)
- Very High (V)

## Tailored Static White Output Options:

- Specify lm/ft of outputs between Standard (S) and Very High (V)

## 0-10V Tunable White Output Options:

- Standard (S)
- Boosted Standard (B)
- High (H)
- Very High (V)

## FineTune DMX Output Options:

- Boosted Standard (B)
- Very High (V)

Features

# Tailored Control

Dim and tune the lighting to fit user preference.

- Dimming from 100% to 10%, standard; 1% available
- Industry-leading pre-qualified drivers and controls options available
- Simplified white light color tuning design and installation with the FineTune™ controls system

Features

# Tailored Color

Tune white light and intensity to the preferences of the people in the space.



- Static White light options at 3000K, 3500K and 4000K CCT
- Tunable White option for two-source tunable white light between 2700K and 6500K CCT
- 80+ and 90+ CRI options available

Features

# Tailored Lengths\*

Enhance architectural interiors with perfectly sized luminaires.

## HP-2 WS

- **Tailored Runs:** Minimum 2' section length. Increments accurate to 1/16" ( $\pm 1/32$ ), standard. 12' maximum section length.
- **TXL Runs:** Optional TXL adds 1" to run length and up to an additional 11" of fully illuminated adjustability. Minimum length with TXL: 4'-1" with Std. Osram drivers or 5'-1" with all other drivers.

## HP-WG

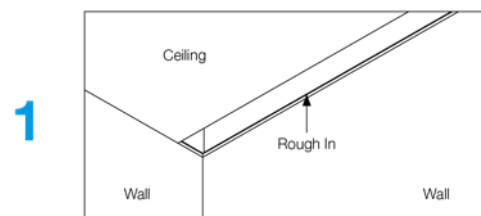
- Minimum 2', increments accurate to 1/16" ( $\pm 1/32$ ") standard. 12' maximum section length.
- Available with Static White or when used in combination with the FineTune™ controls system

# Installation

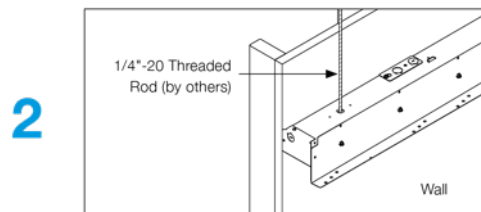
Post-ceiling with threaded-rod mounting is the standard mounting option, which eliminates the need to install mounting hardware or luminaires prior to the slot being framed.

**Note:** For wall bracket mounting, please refer to installation instructions.

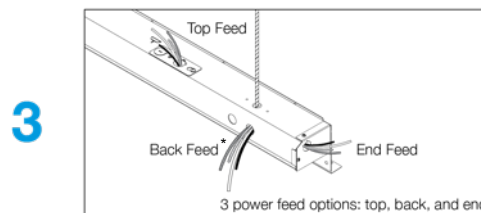
Post-ceiling with threaded-rod mounting installation is as easy as 1, 2, 3.



Prepare rough in.



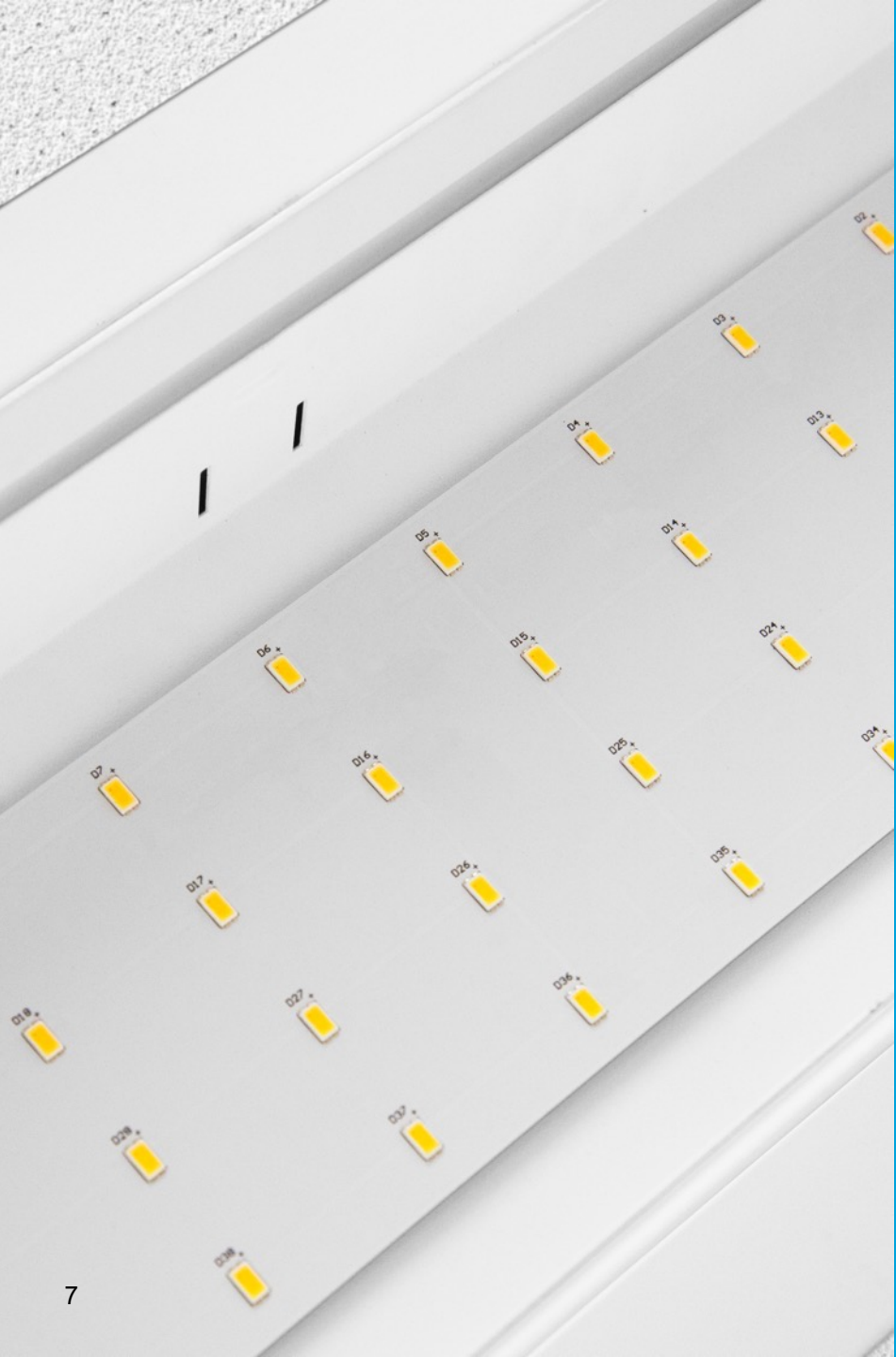
Install luminaire onto 1/4"-20 threaded rod (by others).



Connect power to luminaire.

\* Backfeed available for HP-WS/WG. consult factory for HP2-WS backfeed.

**FINELITE**<sup>®</sup>  
Better Lighting



# Light Years Ahead

Finelite has formulated LED illumination that delivers 90% of initial light output (L90) at 100,000+ hours and 70% of initial light output (L70) at 183,000+ hours.

# Declare 2.0

These products are enrolled in the International Living Future Institute (ILFI) Declare 2.0 Program and are third-party verified.

Declare. 

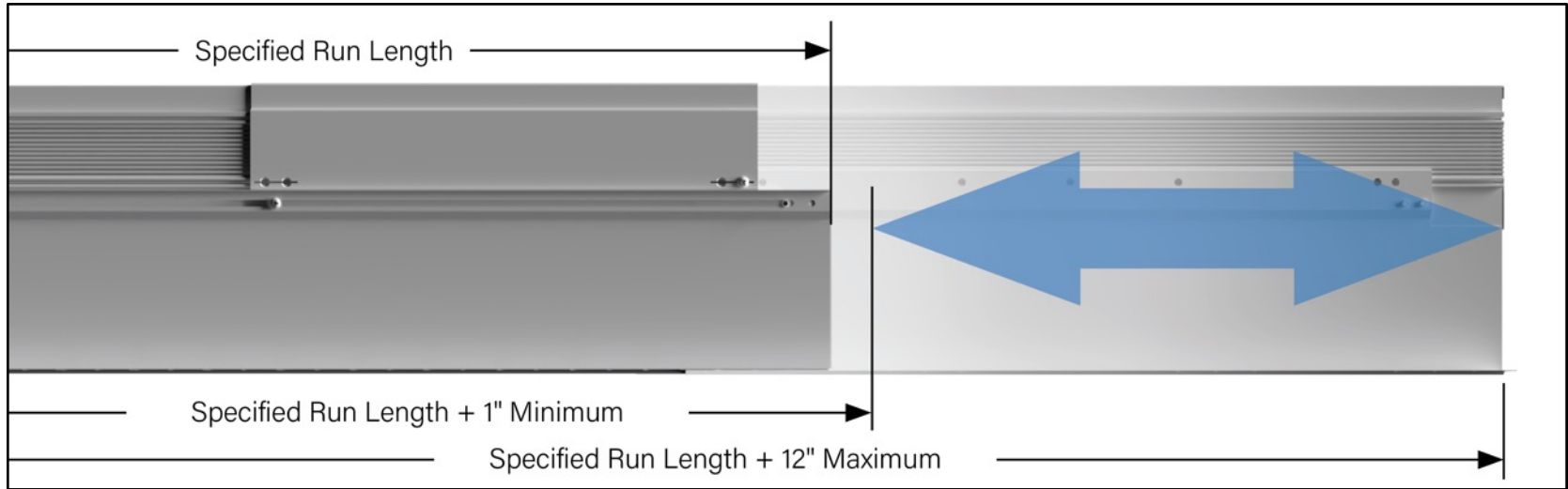


**FINELITE<sup>®</sup>**  
*Better Lighting*



# HP-2 WS Perimeter Slot

HP-2 WS Perimeter Slot features tailored lengths, adjustable illuminated telescoping, fully illuminated and factory built 90° corners, plus an all-in-one box shipping method to streamline installation. The narrow 2” aperture creates a crisp ribbon of light at the transition between wall and ceiling for a highly desirable aesthetic.

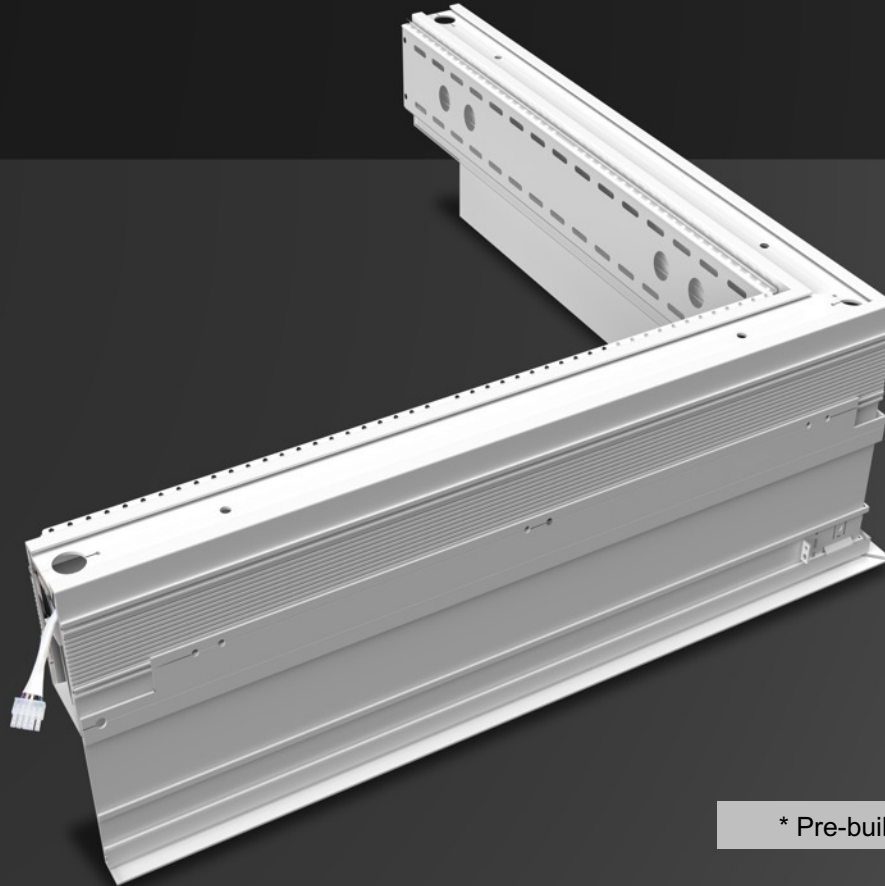


## Telescoping\* (TXL-L or TXL-R)

The telescoping (TXL) feature provides on-site flexibility with up to 11" of adjustability. Offered with flat endcap (standard) or pocketslot endcap.

# Pre-Built 90° Corners\*

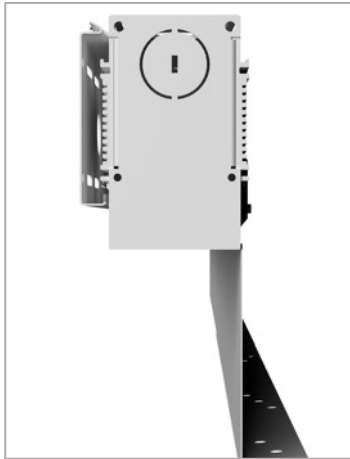
Pre-built inside and outside 90° corners provide fully illuminated corners. Mitered joints are pre-assembled in the factory for easy installation in the field.



\* Pre-built corner available for HP-2 WS only

# HP-2 WS Endcap Options

Standard Flat  
(FE-L or FE-R)



Pocket Slot  
(FE-L or FE-R)

Spackle Flange



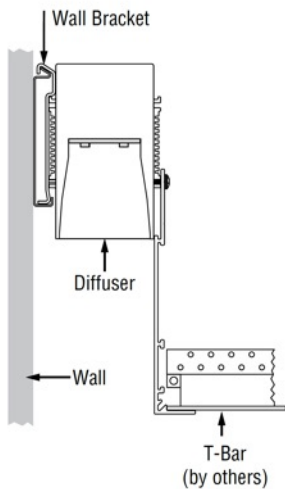
T-Bar



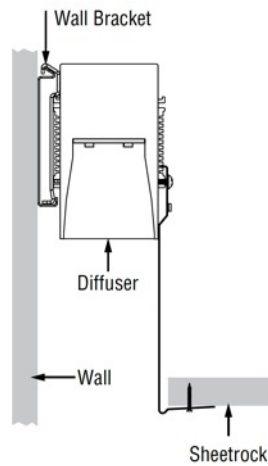
# HP-2 WS Mounting Cross Sections

## Pre-Ceiling Installation

### Wall Mount T-Bar

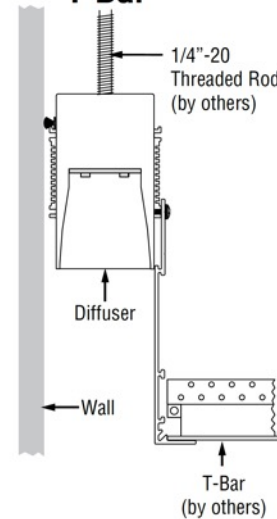


### Wall Mount Spackle Flange

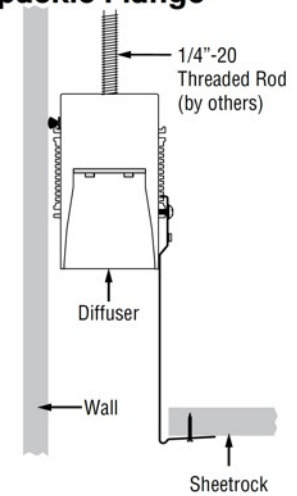


## Post-Ceiling Installation

### Threaded Rod T-Bar

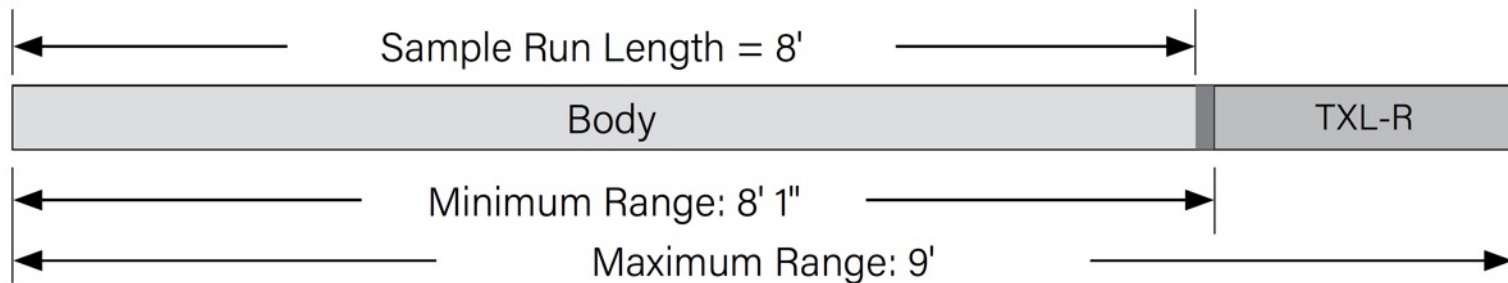


### Threaded Rod Spackle Flange



# HP-2 WS Lengths

One telescoping (TXL) provides on-site flexibility with up to 11" of adjustability, and can be specified on either end of a run. Telescope adds a minimum of 1" and maximum of 12" to the run length provided. Offered with flat endcap (standard) or pocket slot endcap.



**Ordering Sample:** HP-2 WS-4D-8'-B-835-96LG-277-SC-FC-10%-WB-C1-FE-L-TXL-R-SW

For configurations provide nominal total length. Actual length calculated by factory. Please provide drawings to clearly illustrate corners and wall dimensions

## Endcaps Information

The **Flat Endcap** adds 1/8" per endcap to the section length.

The **Pocket Slot Endcap** adds 1-1/4" for Spackle Flange and 1" for T-Bar per endcap to the section length.

Example: Overall Luminaire Length = Luminaire Section + Endcap + Endcap  
 $11' - 3 - 1/2'' = 11' - 3 - 1/4'' + 1/8'' + 1/8''$

# HP-2 WS Performance

## Recessed Photometry– 4' Luminaire

Very High Output – 120V

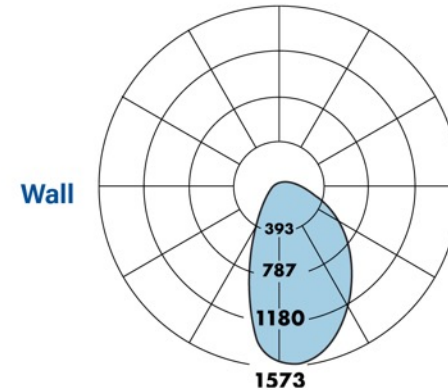
Efficacy: 90 lumens per watt

Total Luminaire Output: 3184 lumens (796 lumens/foot)

35.4 watts (8.9 watts/foot)

CCT: 3500K

ITL LM79 Report: 94264



Total Light Output, 3500K, 80 CRI (Lumens) - 4' Luminaire			
S*	B*	H*	V**
1303	1639	2476	3184

Power, 3500K, 80 CRI (Watts Per Foot)			
S*	B*	H*	V**
3.5	4.4	6.8	8.9

Light Output, 3500K, 80 CRI (Lumens Per Foot)			
S*	B*	H*	V**
326	410	619	796

Efficacy, 3500K, 80 CRI (Lumens Per Watt)			
S*	B*	H*	V**
94	93	91	90

**S – Standard Output, B – Boosted Standard Output, H – High Output, V – Very High Output**

\* Family Correlation based on 4' luminaire 3500K Very High Output (V) test – 120V

\*\* Correlation based on ITL LM79 Report: 94264

**Notes**

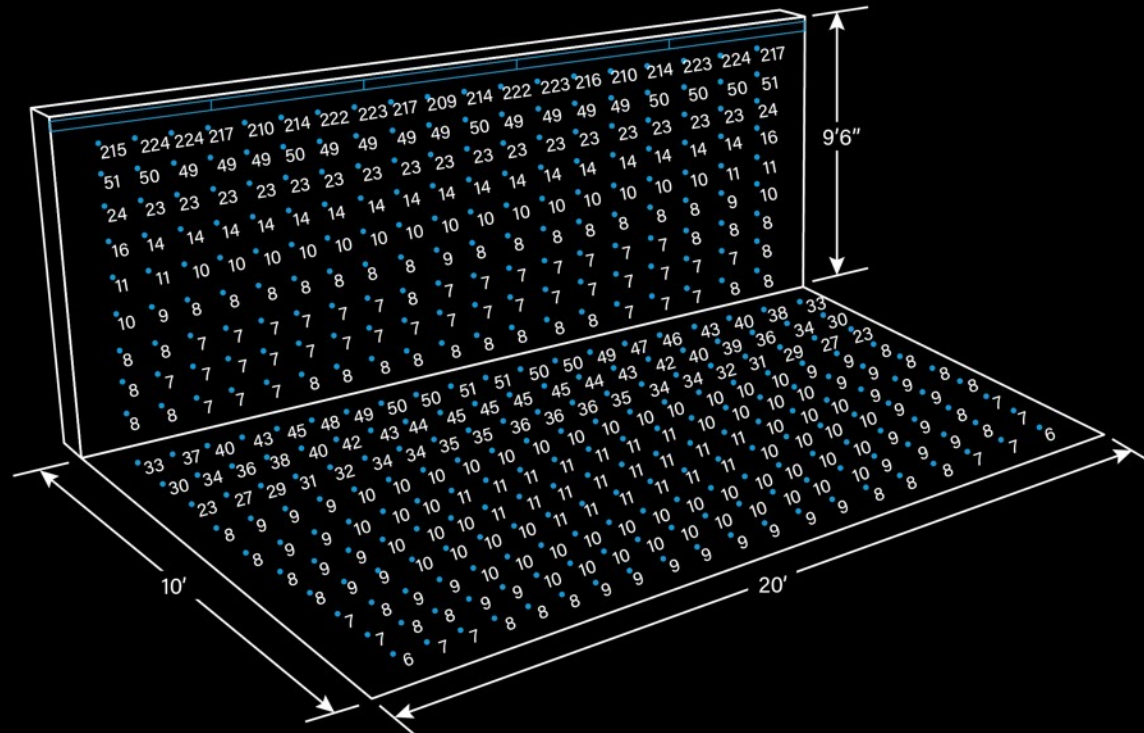
- For Tunable White data please see Tunable White technical sheets.
- Refer to LM-79 reports for other configurations.

# HP-2 WS Applications

**HP-2 WS-4D-4ft-V-835  
20" Continuous Row**

	Wall	Floor
Average Light Level (Footcandles)	38 fc	18 fc
Average to Minimum	5:1	3:1

- Luminaire at 9'-6" AFF to bottom of luminaire
- Luminaire recessed into slot
- Room reflectance: 80/50/20
- Light levels are initial







# HP-2 WS

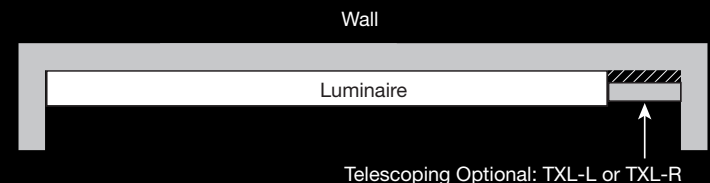
# High Performance Perimeter Slot

The High Performance Perimeter Slot (HP-WS) creates a wash of light at the transition between wall and ceiling planes. Designed to accommodate straight runs and corner applications.

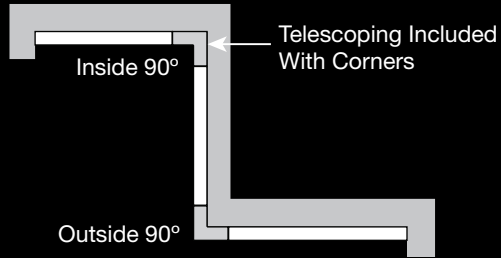


## Telescoping\* (TXL-L or TXL-R)

Optional telescoping adds up to 12" for a straight run. Consult technical sheet for telescoping lengths on inside and outside corners.



# Fully Illuminated 90° Corners\*



Fully illuminated 90° corners with telescoping and tapered optics standard.

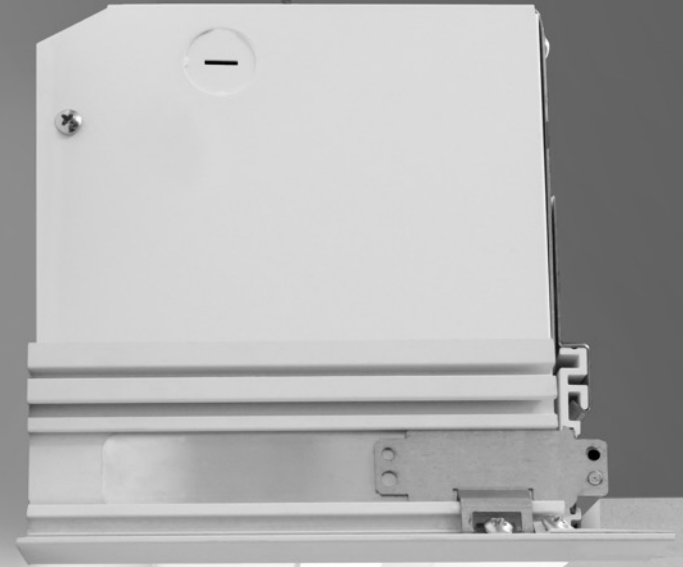


# HP-WS Endcap Options

Standard Flat  
(FE-L or FE-R)

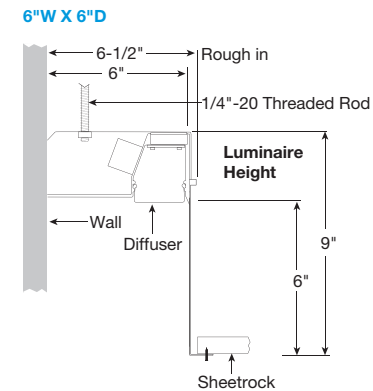
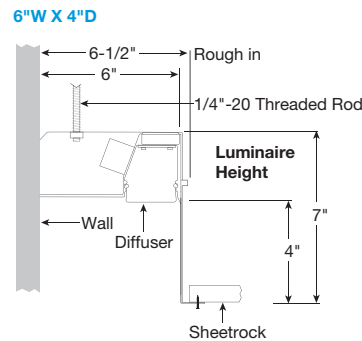
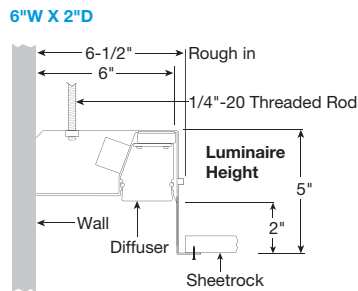
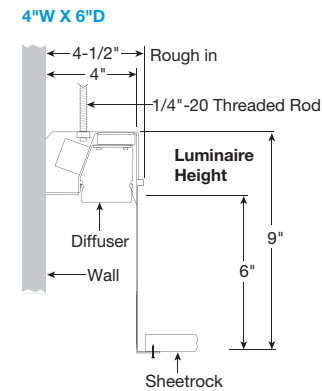
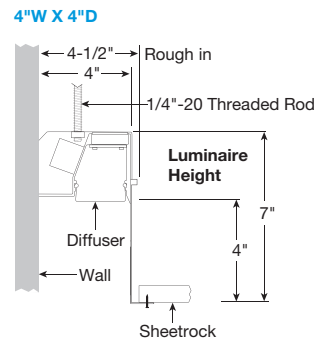
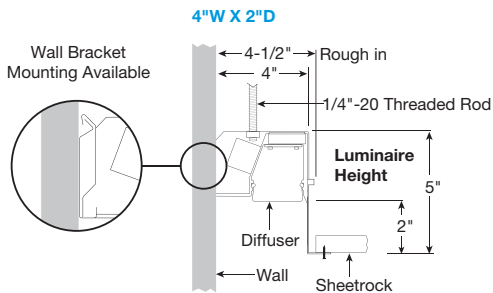


Pocket Slot  
(PE-L or PE-R)



# HP-WS Post-Ceiling Mounting Cross Sections

Threaded Rod Shown



# HP-WS Lengths

Standard 2', 3', 4', and 8' section lengths with telescoping options can be combined to make longer runs.

## Endcaps Information

The **Flat Endcap** adds 1/8" per endcap to the section length.

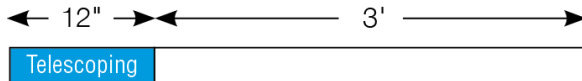
The **Pocket Slot Endcap** adds 1-1/4" for Spackle Flange and 1" for T-Bar per endcap to the section length.

The **Telescoping Endcap** adds:

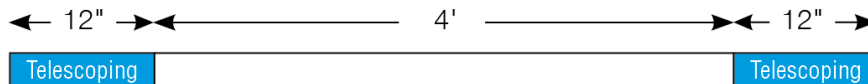
- A minimum of 2" to a 2' section
- A minimum of 1" to a 3' section
- A minimum of 1" to 4' and 8' sections



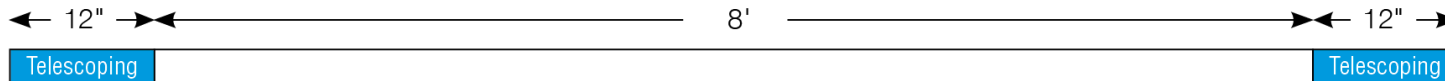
Telescoping Section (optional) adds a minimum of 2" and a maximum of 12". Only one end can be extended.



Telescoping Section (optional) adds a minimum of 1" and a maximum of 12". Only one end can be extended.



Telescoping Sections (optional) adds a minimum of 1" and a maximum of 12". Both ends can be extended.



Telescoping Sections (optional) adds a minimum of 1" and a maximum of 12". Both ends can be extended.

\* Consult technical sheet for telescoping lengths on inside and outside corners.

# HP-WS Performance

## 4"W x 2"D – 4' Luminaire

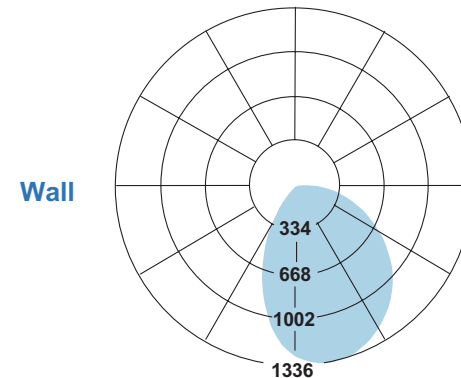
Very High Output – 120V

Efficacy: 84 lumens per watt

Total Luminaire Output: 3097 lumens (774 lumens/foot)  
37 watts (9.3 watts/foot)

CCT: 3500K

ITL LM79 Report: 86712



Total Light Output, 3500K, 80 CRI (Lumens) – 4' Luminaire				
	S*	B*	H*	V**
4"W x 2"D	1268	1594	2409	3097

Power, 3500K, 80 CRI (Watts Per Foot)				
	S*	B*	H*	V**
4"W x 2"D	3.6	4.6	7.1	9.3

Light Output, 3500K, 80 CRI (Lumens Per Foot)				
	S*	B*	H*	V**
4"W x 2"D	317	398	602	774

Efficacy, 3500K, 80 CRI (Lumens Per Watt)				
	S*	B*	H*	V**
4"W x 2"D	88	87	85	84

**S – Standard Output, B – Boosted Standard Output, H – High Output, V – Very High Output**

\* Family Correlation based on 4' luminaire 3500K Very High Output (V) test – 120V

\*\* Correlation based on ITL LM79 Report: 86712

**Notes**

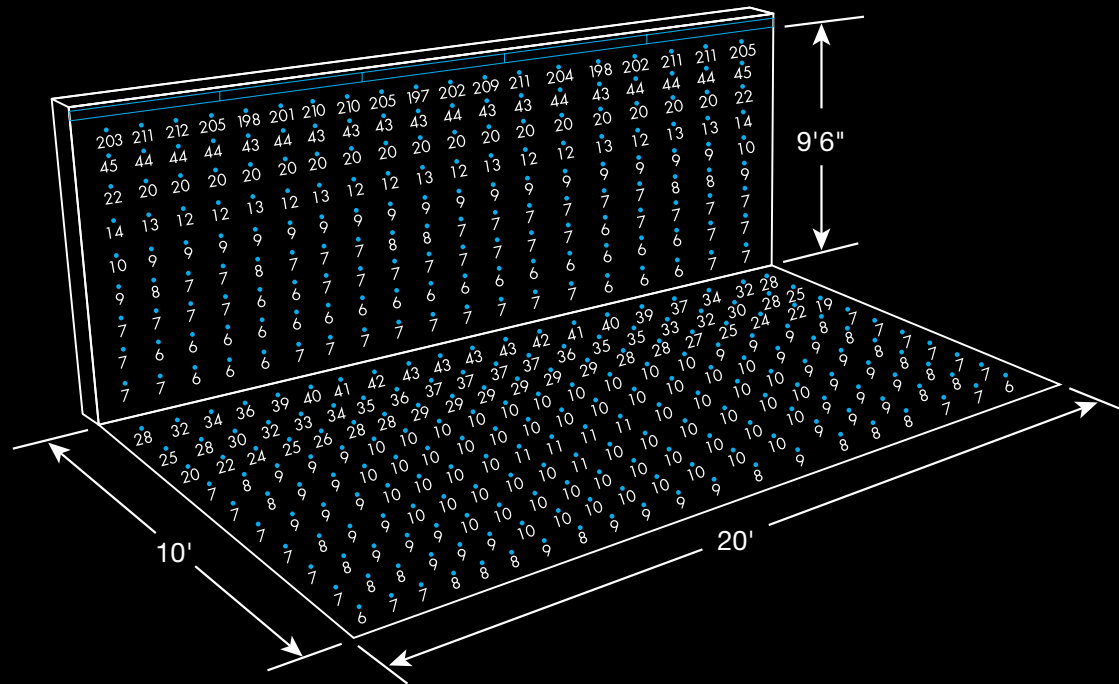
- For Tunable White data please see Tunable White technical sheets.
- Refer to LM-79 reports for other configurations.



# HP-WS Applications

	HP-WS-4W-4D-H-835 20' Continuous Row	
	Wall	Floor
Average Light Level (Footcandles)	35 fc	16 fc
Average to Minimum	6:1	3:1

- Luminaire at 9'-6" AFF to bottom of luminaire
- Luminaire recessed into slot
- Room reflectance: 80/50/20
- Light levels are initial





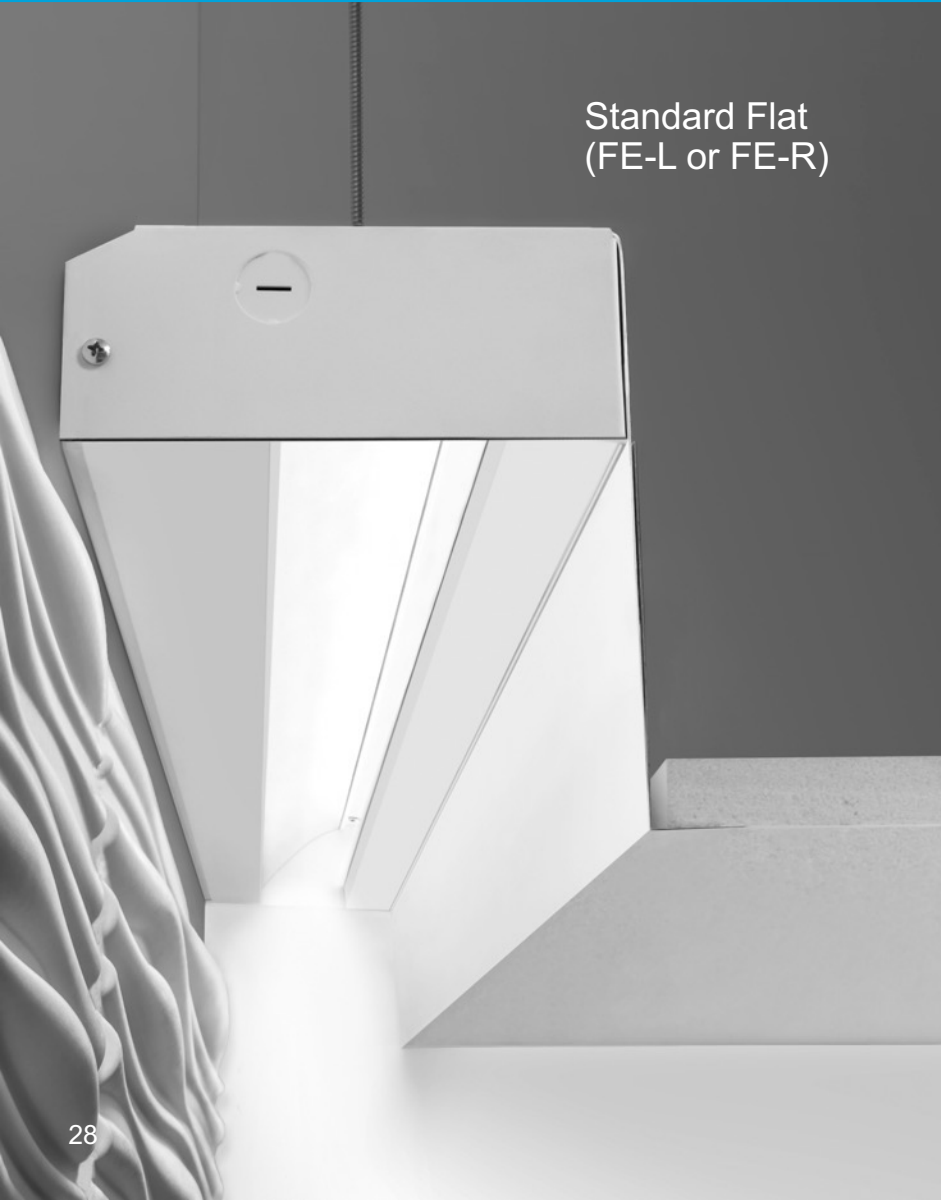
# HP-WS

# High Performance Wall Grazer

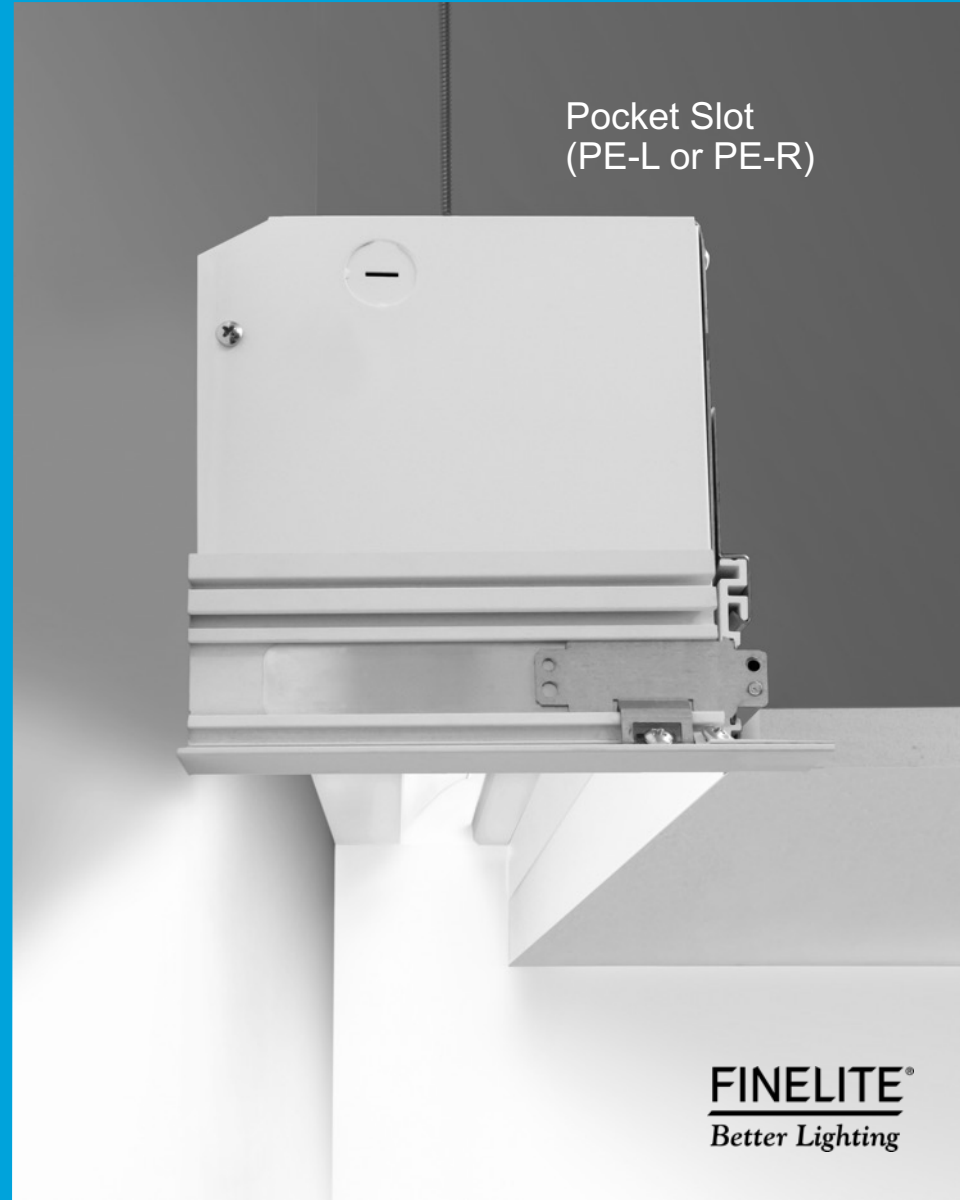
The High Performance Wall Grazer (HP-WG) creates a uniform wash of light that enhances and emphasizes textured or feature-wall vertical surfaces. The light separates the wall and ceiling planes and increases visual contrast.

# HP-WG Endcap Options

Standard Flat  
(FE-L or FE-R)

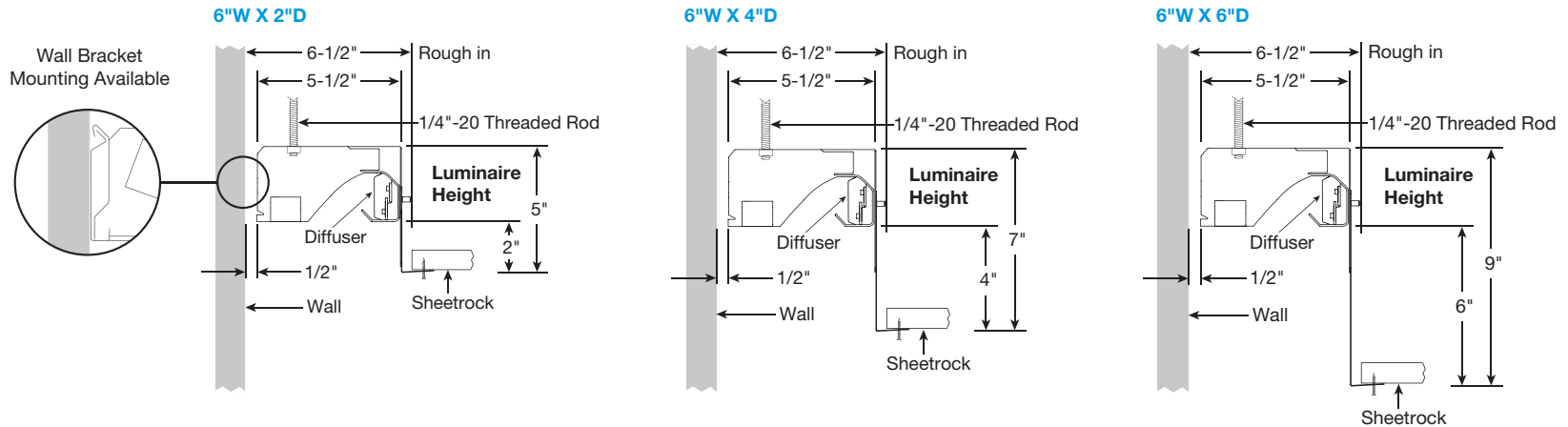


Pocket Slot  
(PE-L or PE-R)



# HP-WG Post-Ceiling Mounting Cross Sections

Threaded Rod Shown



# HP-WG Performance

## 6"W x 2"D – 4' Luminaire

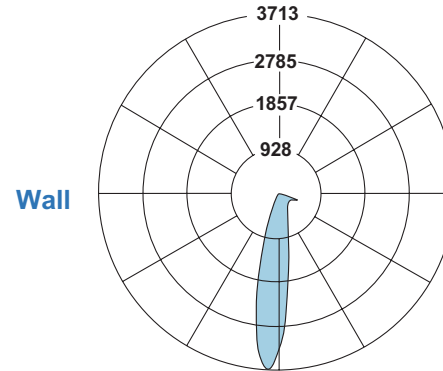
Very High Output – 120V

Efficacy: 70 lumens per watt

Total Luminaire Output: 2578 lumens (645 lumens/foot)  
36.9 watts (9.2 watts/foot)

CCT: 3500K

ITL LM79 Report: 88542



Total Light Output, 3500K, 80 CRI (Lumens) – 4' Luminaire				
	S*	B*	H*	V**
6"W x 2"D	1055	1327	2005	2578

Power, 3500K, 80 CRI (Watts Per Foot)				
	S*	B*	H*	V**
6"W x 2"D	3.6	4.6	7.1	9.2

Light Output, 3500K, 80 CRI (Lumens Per Foot)				
	S*	B*	H*	V**
6"W x 2"D	264	332	501	645

Efficacy, 3500K, 80 CRI (Lumens Per Watt)				
	S*	B*	H*	V**
6"W x 2"D	73	72	71	70

**S – Standard Output, B – Boosted Standard Output, H – High Output, V – Very High Output**

\* Family Correlation based on 4' luminaire 3500K Very High Output (V) test – 120V

\*\* Correlation based on ITL LM79 Report: 88542

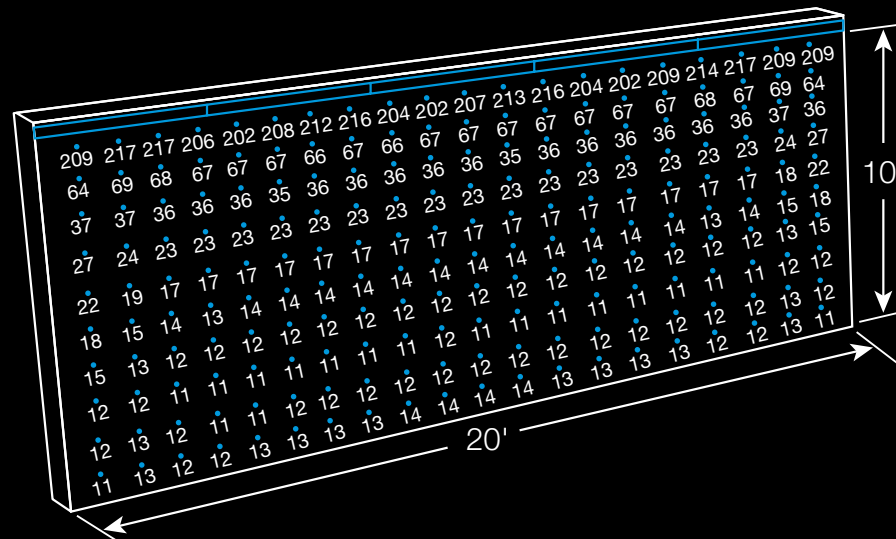
**Note**

– For Tunable White data please see Tunable White technical sheets.

# HP-WG Applications

HP-WG-6W-2D-V-835 20' Continuous Row	
Wall	
Average Light Level (Footcandles)	42 fc
Average to Minimum	4:1

- Luminaire at 10'0" AFF to bottom of luminaire
- Room dimensions 20' wide and 10' deep
- Room reflectance: 80/50/20
- Light levels are initial





# HP-WG



# The Finelite LED Difference



10-year performance-based warranty



90% of initial light output at 100,000+ hours



Dimming Standard



Replaceable LED light arrays

# Finelite Commitment To You



10-working-day shipping on standard orders



Focus on sustainability