

# E2 Indirect/Direct Linear With 3" Canopy Installation Instructions

## Overview

### NOTES

- All power connections should be installed according to local/national codes by a Certified Electrician.
- This installation requires **proper support** as each luminaire is being installed.
- **DO NOT attempt to join luminaires together on the floor.** Damage may result when lifted.



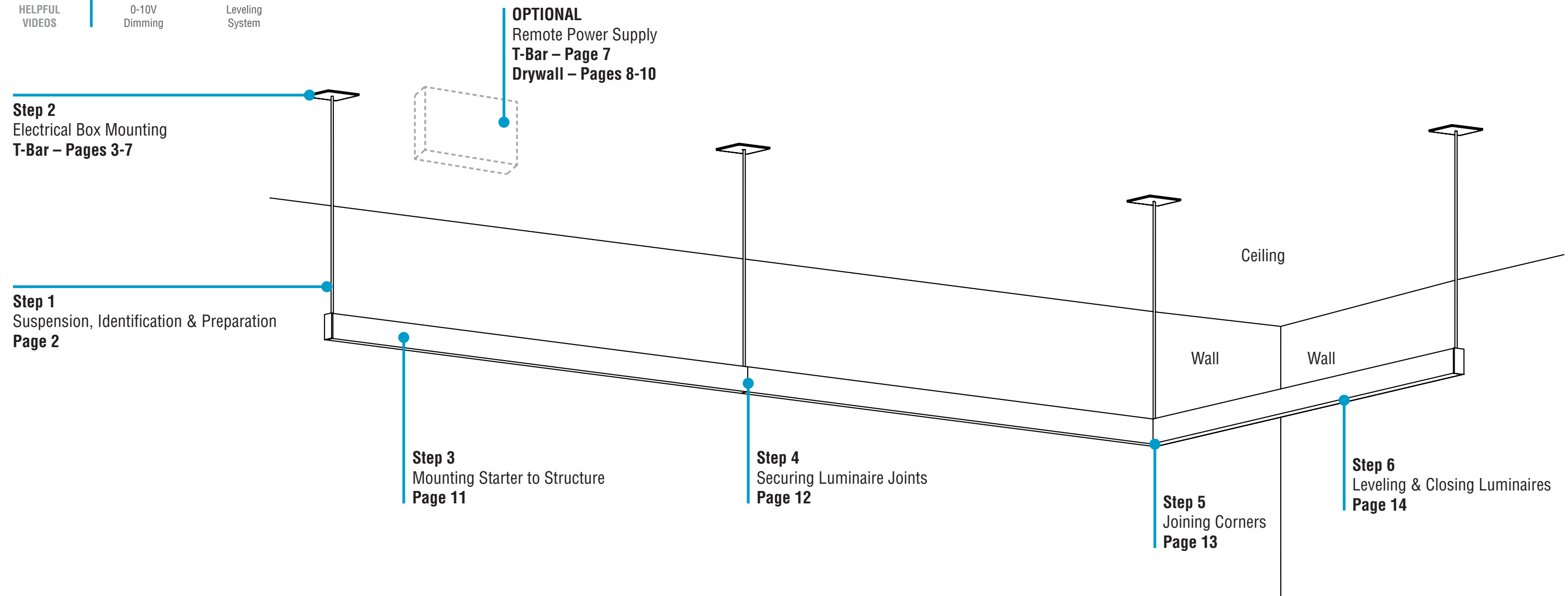
HELPFUL  
VIDEOS



0-10V  
Dimming



Leveling  
System



**Step 2**  
Electrical Box Mounting  
T-Bar – Pages 3-7

**Step 1**  
Suspension, Identification & Preparation  
Page 2

**Step 3**  
Mounting Starter to Structure  
Page 11

**Step 4**  
Securing Luminaire Joints  
Page 12

**Step 5**  
Joining Corners  
Page 13

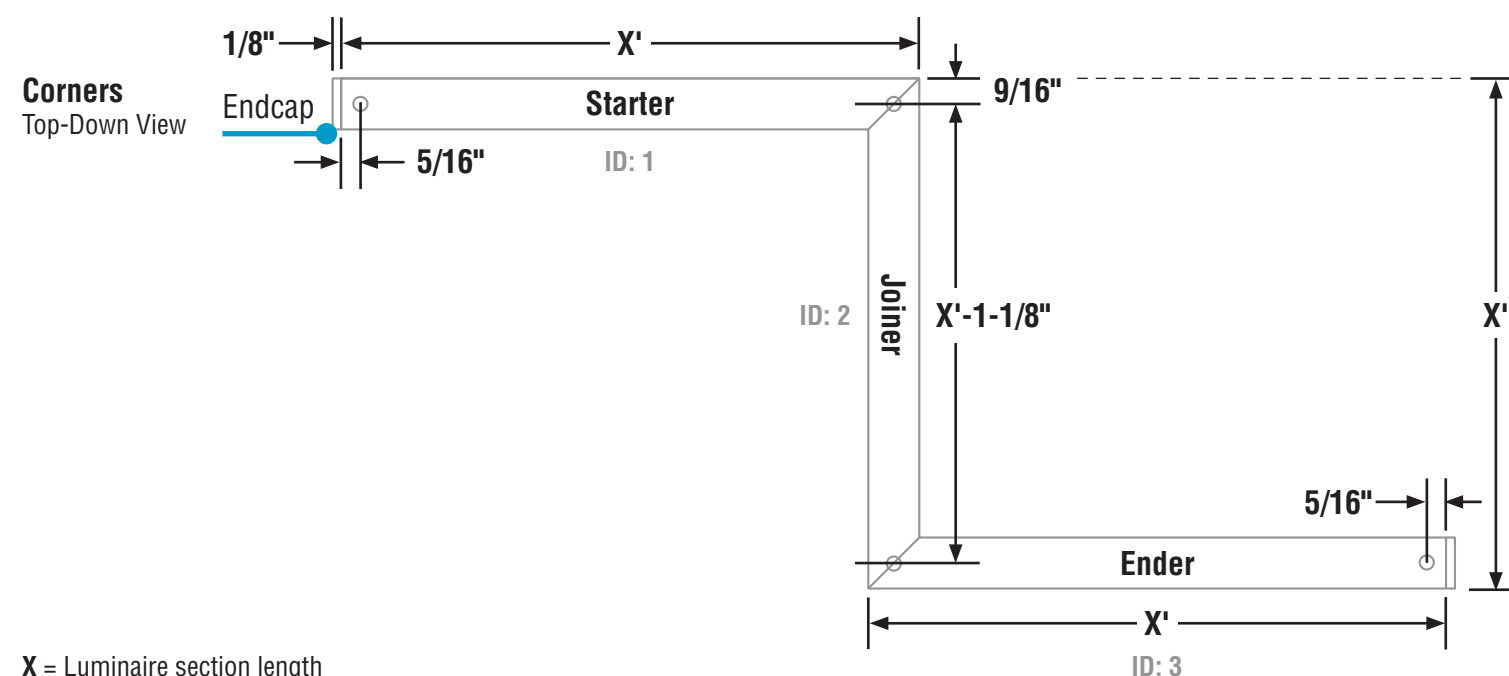
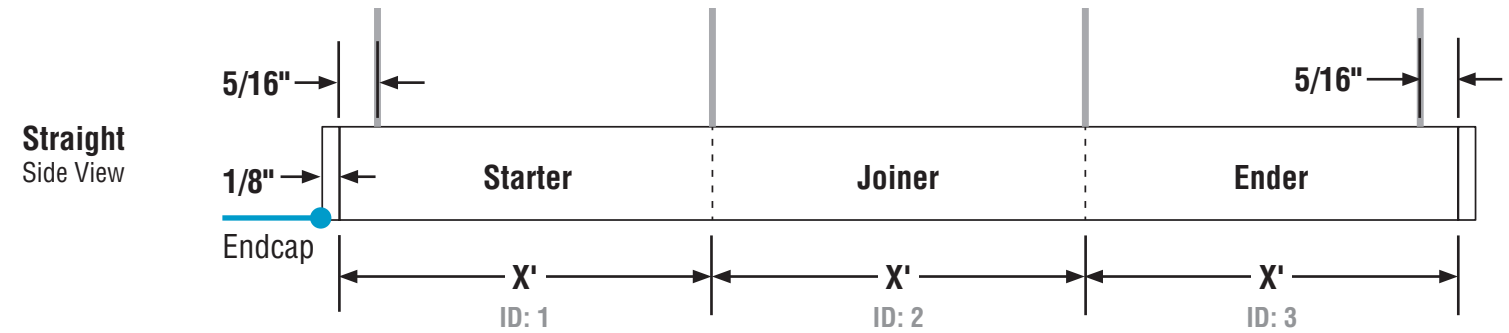
**Step 6**  
Leveling & Closing Luminaires  
Page 14

**OPTIONAL**  
Remote Power Supply  
T-Bar – Page 7  
Drywall – Pages 8-10

# E2 Indirect/Direct Linear With 3" Canopy Installation Instructions

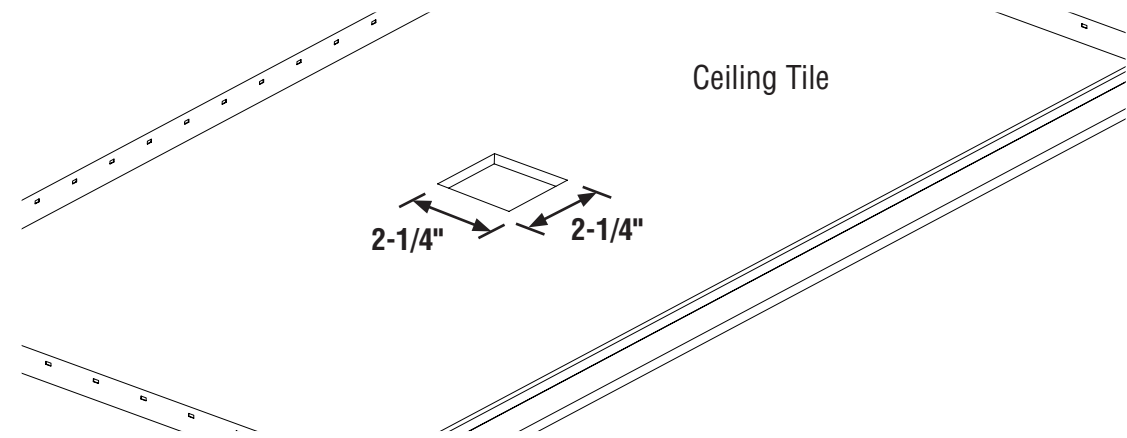
## Step 1 – Suspension, Identification & Preparation

### Suspension Locations



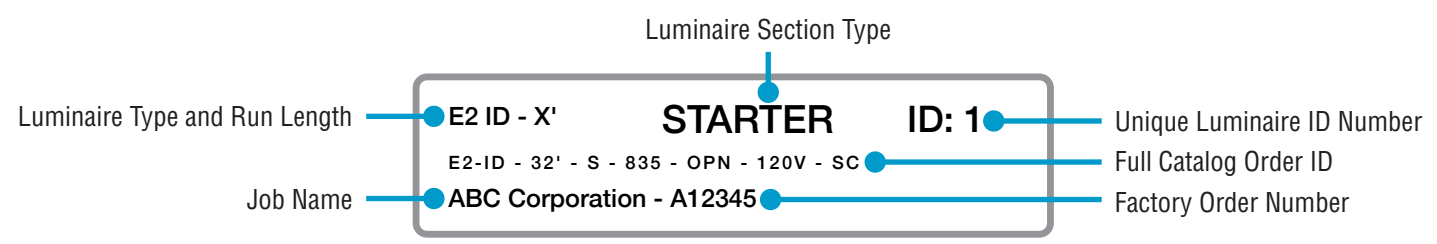
X = Luminaire section length

### Rough-In Dimensions



Rough-in dimensions are for both T-Bar and drywall installations<sup>1</sup>.

### Identify Luminaires



- Remove all luminaires from their box.
- Identify all luminaires by their ID label that can be found on the box, on the reflector bag, and inside the luminaire.
- NOTE:** Exact location of labels in these areas may vary.
- Arrange luminaires in order according to ID# at their install locations.

### Kitted Hardware

- Finelite has provided items listed here, with their Finelite part numbers. These items can be found in separate boxes shipped with the luminaire.
- Account for all parts and set aside until they are needed.
- All other hardware needed for this installation will be by others.

- 3" Canopy**  
FL Part# 15743  
Leveling & Closing Luminaires  
p. 14, Step 6
- 6" Canopy**  
FL Part# 15720  
Leveling & Closing Luminaires  
p. 14, Step 6
- #6-32 x 3/16" Electrical Cover Screw**  
FL Part# 62550  
Electrical Box Mounting - T-Bar  
p. 3, Step 2

- #10-32 x 3/8" Lid Screw**  
FL Part# 92108  
Electrical Box Mounting - T-Bar  
p. 3, Step 2  
Remote Power Supply (PS) - T-Bar  
p. 7, Step 2
- #8-32 x 3/8" Joint Screw**  
FL Part# 92220  
Securing Luminaire Joints  
p. 12, Step 4  
Joining Corners  
p. 13, Step 5

- Flathead Screwdriver**  
FL Part# 15693  
Mounting Starter to Structure  
p. 11, Step 3
- #10-32 x 3/16" Set Screw**  
FL Part# 15692  
Mounting Starter to Structure  
p. 11, Step 3
- Retention Collar**  
Part# 15818 for 2-4 cond  
Part# 15819 for 5 cond  
Mounting Luminaire Assembly  
p. 11, Step 3

- T-Bar Hanger**  
FL Part# 94077  
Part# 512 HD  
Electrical Box Mounting – T-Bar  
p. 5-6, Step 2

- Drywall Bar Hanger**  
FL Part# 64218  
Part# TSGB24  
Remote Power Supply (PS) – Drywall  
p. 9-10, Step 2

- Bar Hanger Channel**  
FL Part# 68250  
Part# TSGLD1  
Remote Power Supply (PS) – Drywall  
p. 10, Step 2  
(For PS Box S01)

**NOTE:** Items listed here are by others ("Part#") but are also available from Finelite upon request ("FL Part#").

<sup>1</sup> For Large Capacity PS Box drywall installation the rough-in dimensions are 5-1/4" x 5-1/4".

# E2 Indirect/Direct Linear With 3" Canopy Installation Instructions

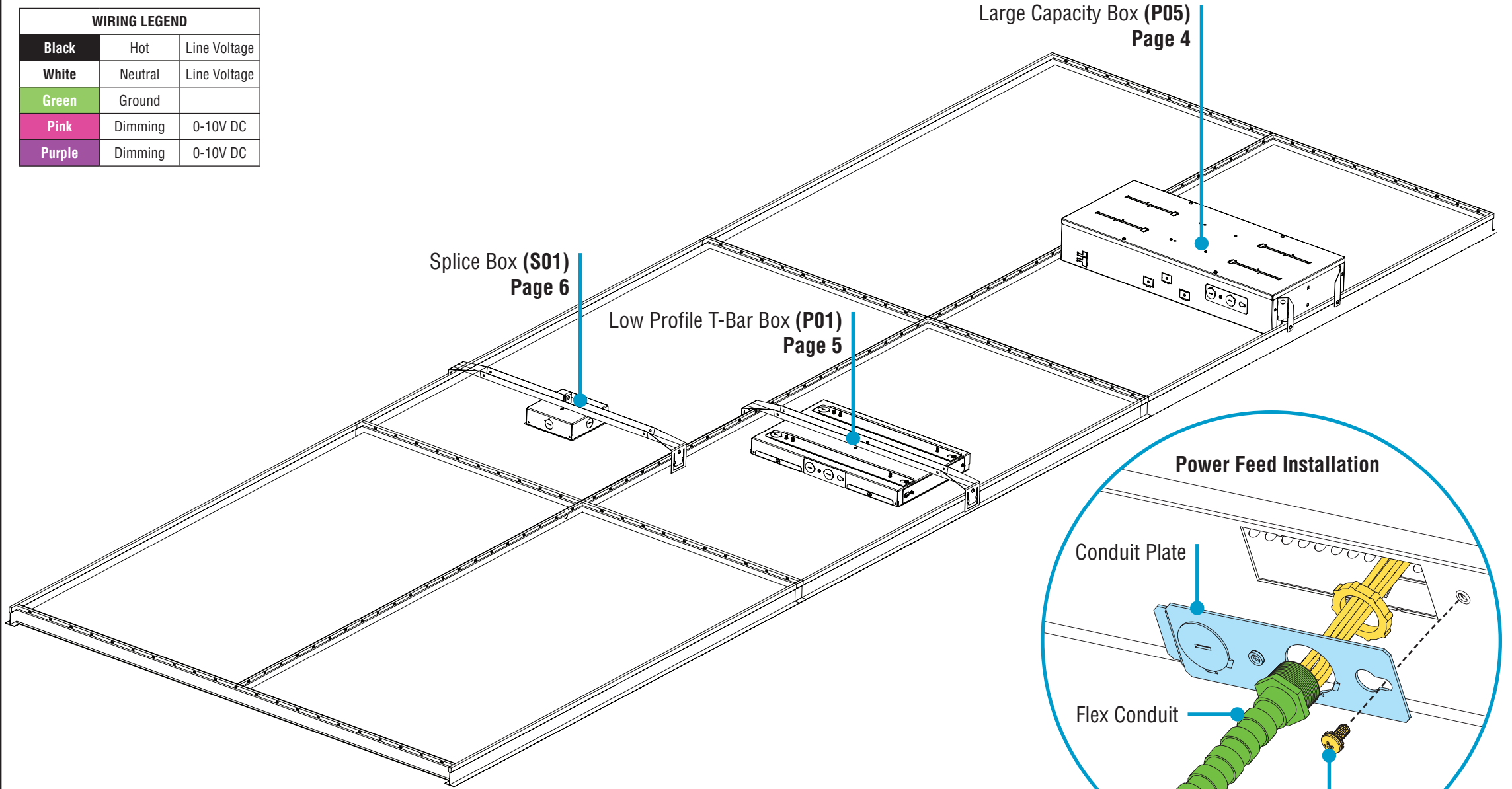
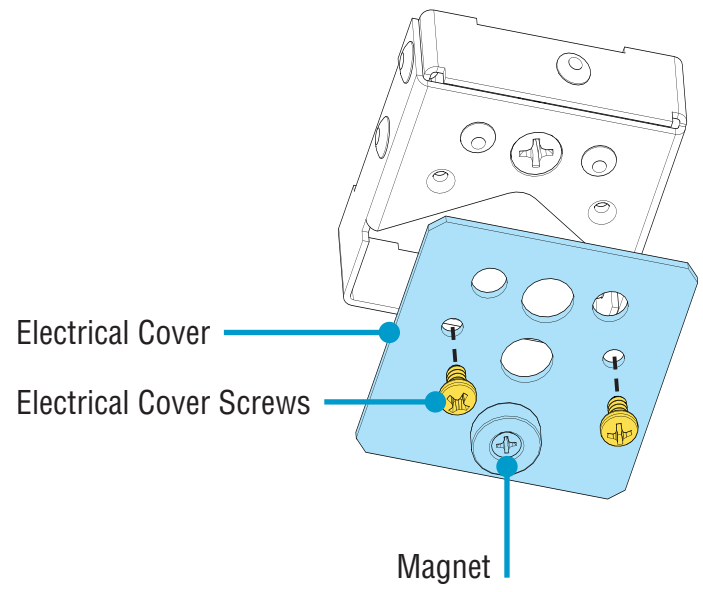
## Step 2 – Electrical Box Mounting – T-Bar

Overview


**Power Electrical Cover**


**T-Bar Installation**

WIRING LEGEND		
Black	Hot	Line Voltage
White	Neutral	Line Voltage
Green	Ground	
Pink	Dimming	0-10V DC
Purple	Dimming	0-10V DC



• Prior to starting power box installation, remove electrical cover from collar.

 **Electrical Cover Screws**  
#6-32 x 3/16" (provided)

 **#10-32 x 3/8" Screw**  
(provided)

 **Flex Conduit**  
(by others)



0-10V  
Dimming

# E2 Indirect/Direct Linear With 3" Canopy Installation Instructions

## Step 2 – Electrical Box Mounting – T-Bar

Large Capacity Power Supply (PS) Box

### Overview

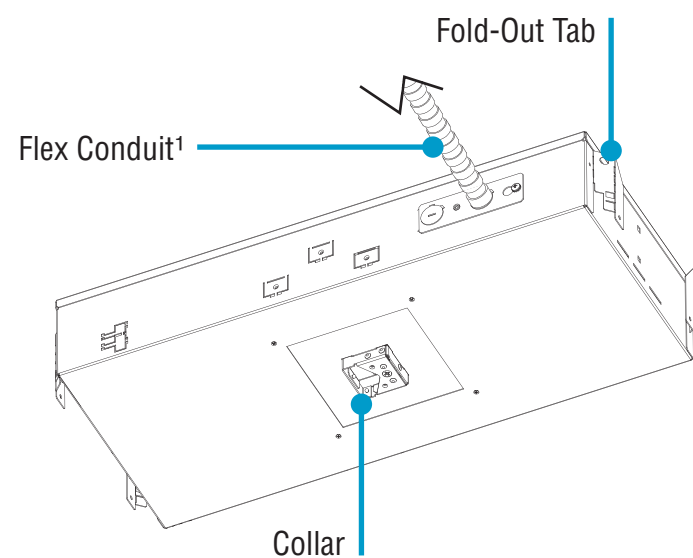
For luminaire configurations with any of the following:



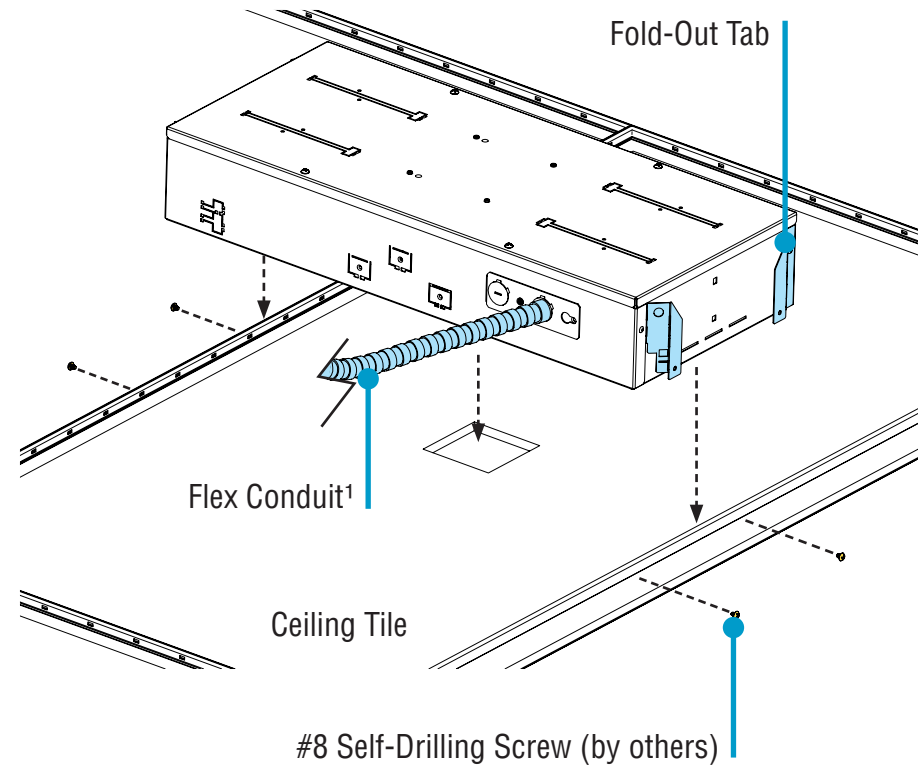
**CAUTION**

- Emergency to generator/inverter wiring
- Internal generator transfer switch
- Nightlight wiring
- Step-dimming driver
- Backup battery

The Large Capacity PS Box (P05) provides **more than one** power supply output source. To reduce the risk of electric shock, disconnect **both** normal and emergency sources within this unit before servicing any equipment connected to this unit.

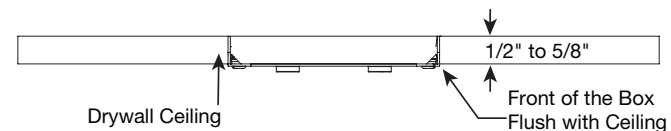


### A. Place on Ceiling Tile Top-Down View



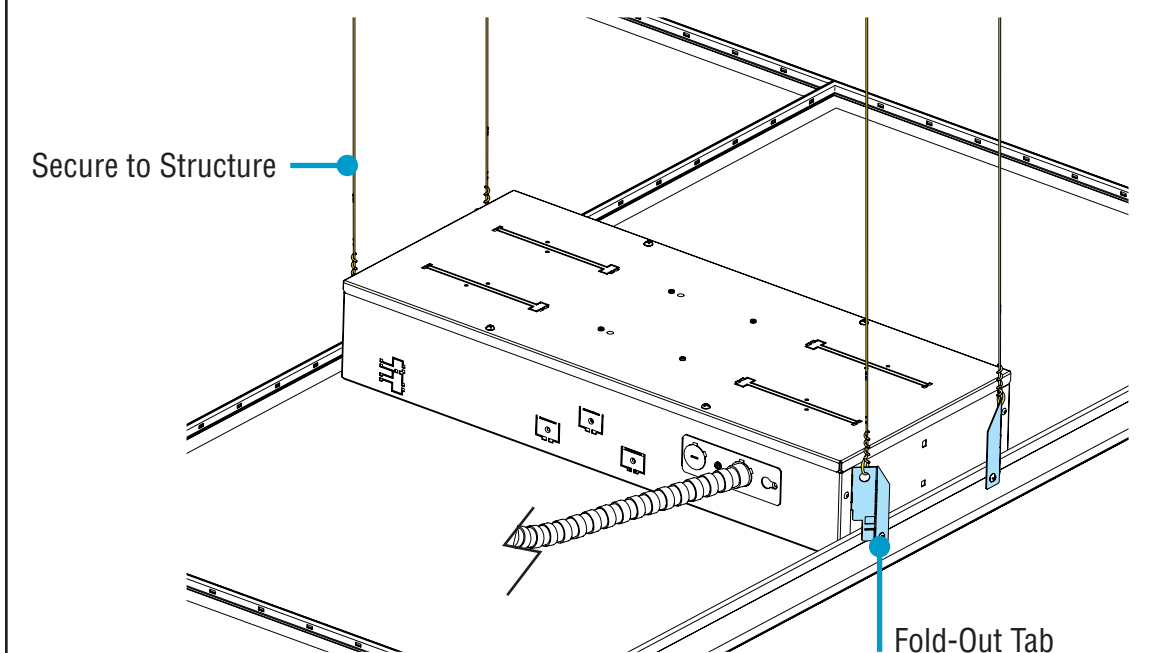
**CAUTION**

Collar must be flush with bottom of ceiling tile.



- Install Large Capacity PS Box onto ceiling tile and align collar with rough-in opening.
- Secure fold-out tabs to T-Bars using four #8 self-drilling screws.
- Apply flex conduit<sup>1</sup> to power feed knockout.

### B. Secure to Structure Top-Down View



- Secure Large Capacity PS Box to structure using the fold-out tabs, per building code.



#8 Self-Drilling Screws  
(by others)



Flex Conduit  
(by others)

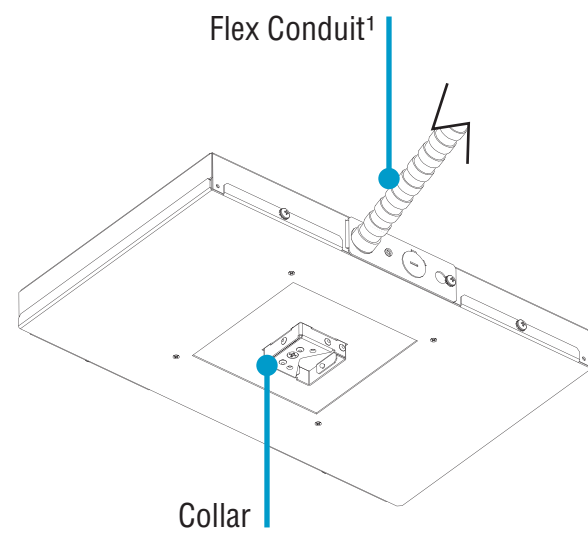
<sup>1</sup> Preferred power feed location shown.

# E2 Indirect/Direct Linear With 3" Canopy Installation Instructions

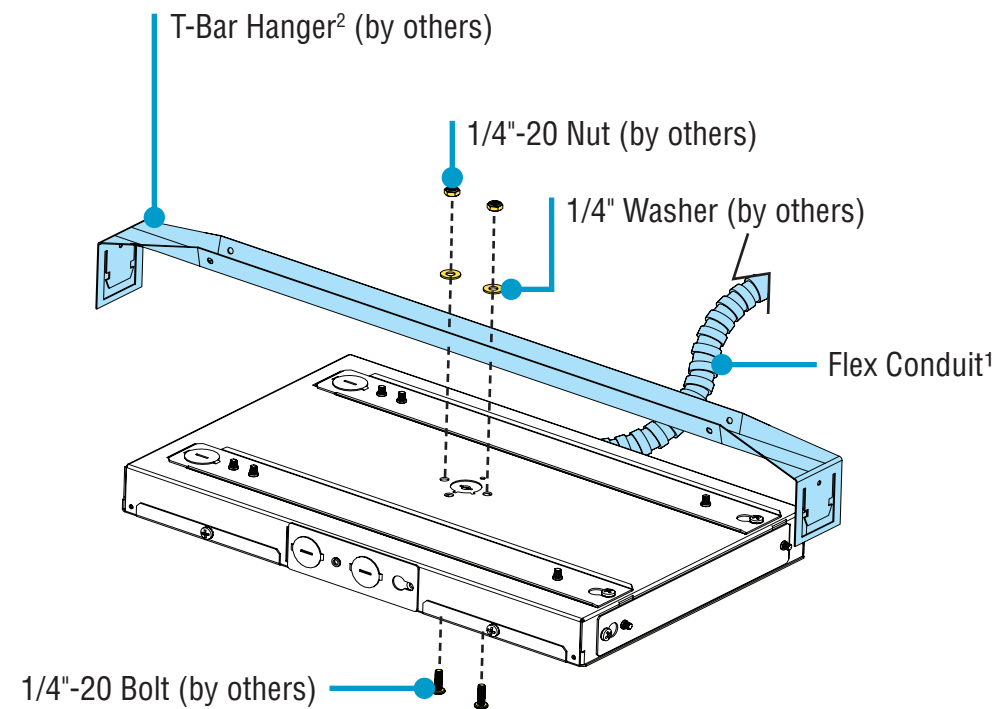
## Step 2 – Electrical Box Mounting – T-Bar

Low Profile T-Bar Power Supply (PS) Box

**Overview**

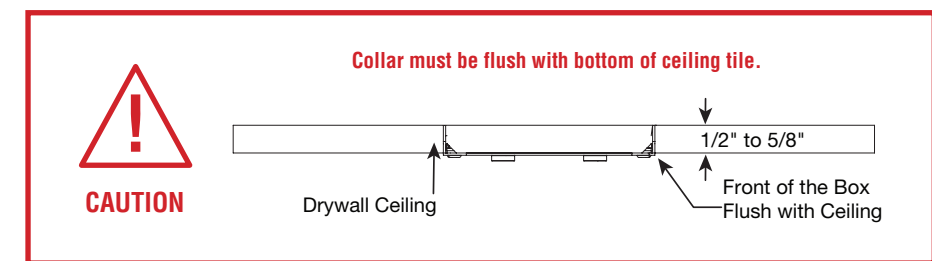
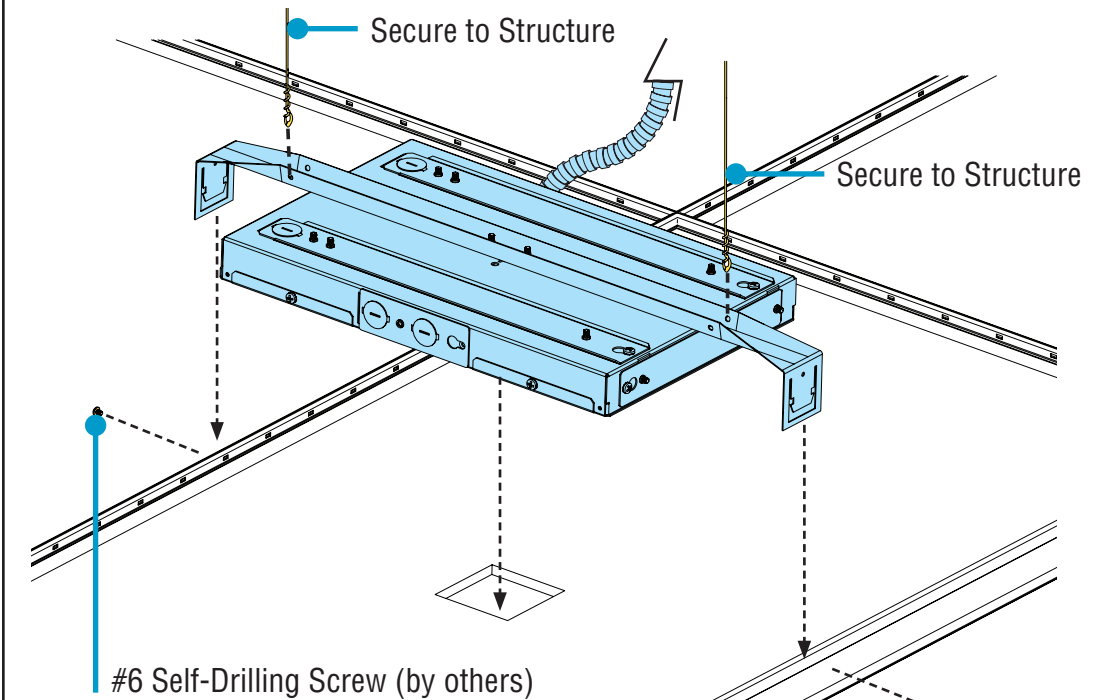


**A. Install Bar Hanger** Top-Down View



- Install T-Bar hanger<sup>2</sup> to Low Profile PS Box using two each of 1/4"-20 nuts, 1/4" washers and 1/4"-20 bolts.
- Apply flex conduit<sup>1</sup> to power feed knockout.

**B. Place on Ceiling Tile** Top-Down View



- Place Low Profile PS Box onto ceiling tile and align collar with rough-in opening.
- Clip the T-Bar hanger<sup>2</sup> onto T-Bars.
- Secure T-Bar hanger to T-Bars using two #6 self-drilling screws.
- Secure Low Profile PS Box to structure using bar hanger holes, per building code.

#6 Self-Drilling Screws  
(by others)

1/4" Washers  
(by others)

1/4"-20 Bolts  
(by others)

T-Bar Hanger<sup>2</sup>  
(by others)

Flex Conduit  
(by others)

1/4"-20 Nuts  
(by others)

<sup>1</sup> Preferred power feed location shown.  
<sup>2</sup> Part by others but also available from Finelite upon request.

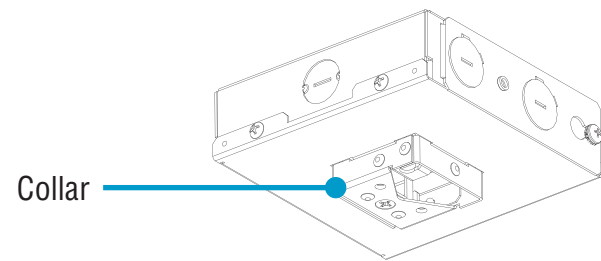
# E2 Indirect/Direct Linear With 3" Canopy Installation Instructions

## Step 2 – Electrical Box Mounting – T-Bar

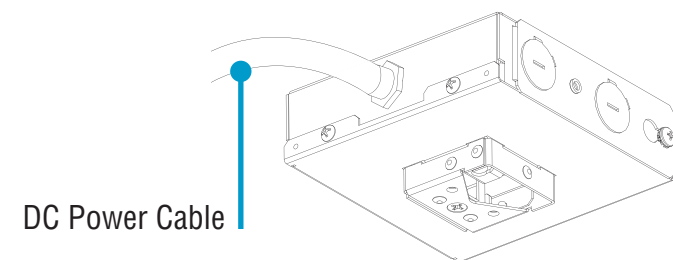
Splice Box

### Overview

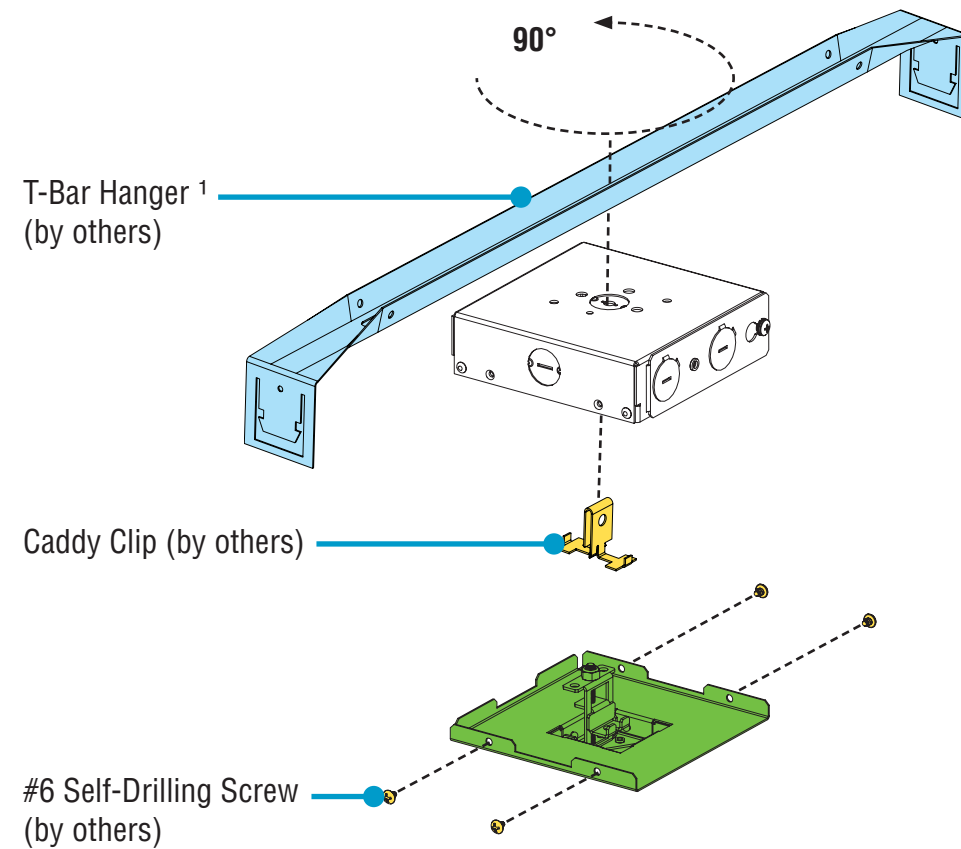
#### Non-Powered Splice Box



#### Remote Powered Splice Box



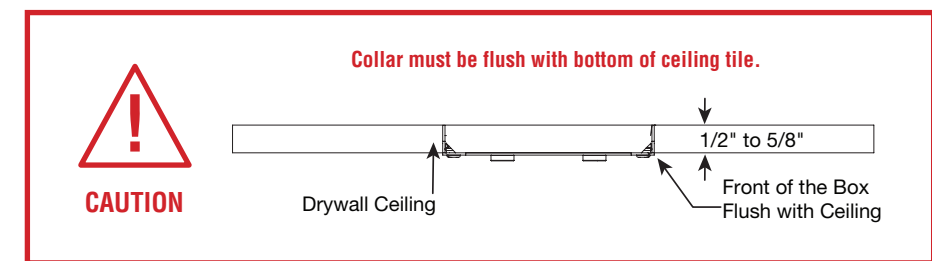
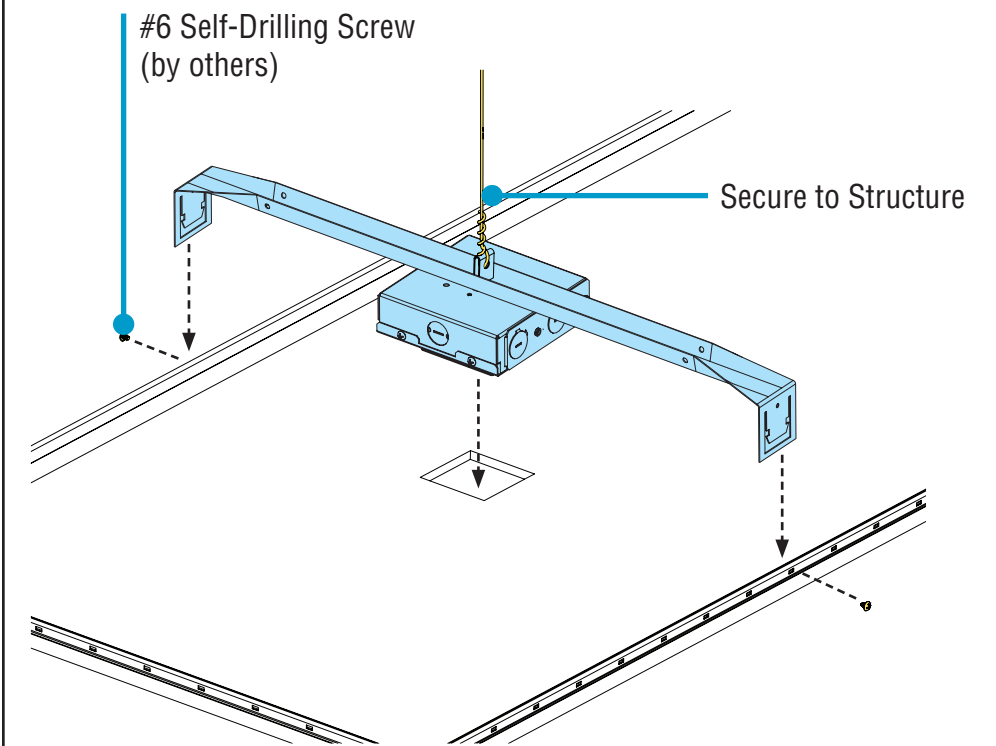
### A. Install Bar Hanger Top-Down View



- Remove cover from Splice box by unscrewing four #6 self-drilling screws.
- Install T-Bar hanger<sup>1</sup> onto Splice Box using one caddy clip.
- Rotate T-Bar hanger 90° to lock into place.
- Reinstall cover onto Splice box by replacing four #6 self-drilling screws.

For splice box with remote power supply T-Bar installation, refer to page 7.

### B. Place on Ceiling Tile Top-Down View



- Place Splice Box onto ceiling tile and align collar with rough-in opening.
- Clip the T-Bar hanger<sup>1</sup> onto T-Bars and secure to T-Bars using two #6 self-drilling screws.
- Secure Splice Box to structure using caddy clip, per building code.

#6 Self-Drilling Screws  
(by others)

Caddy Clip  
(by others)

T-Bar Hanger<sup>1</sup>  
(by others)

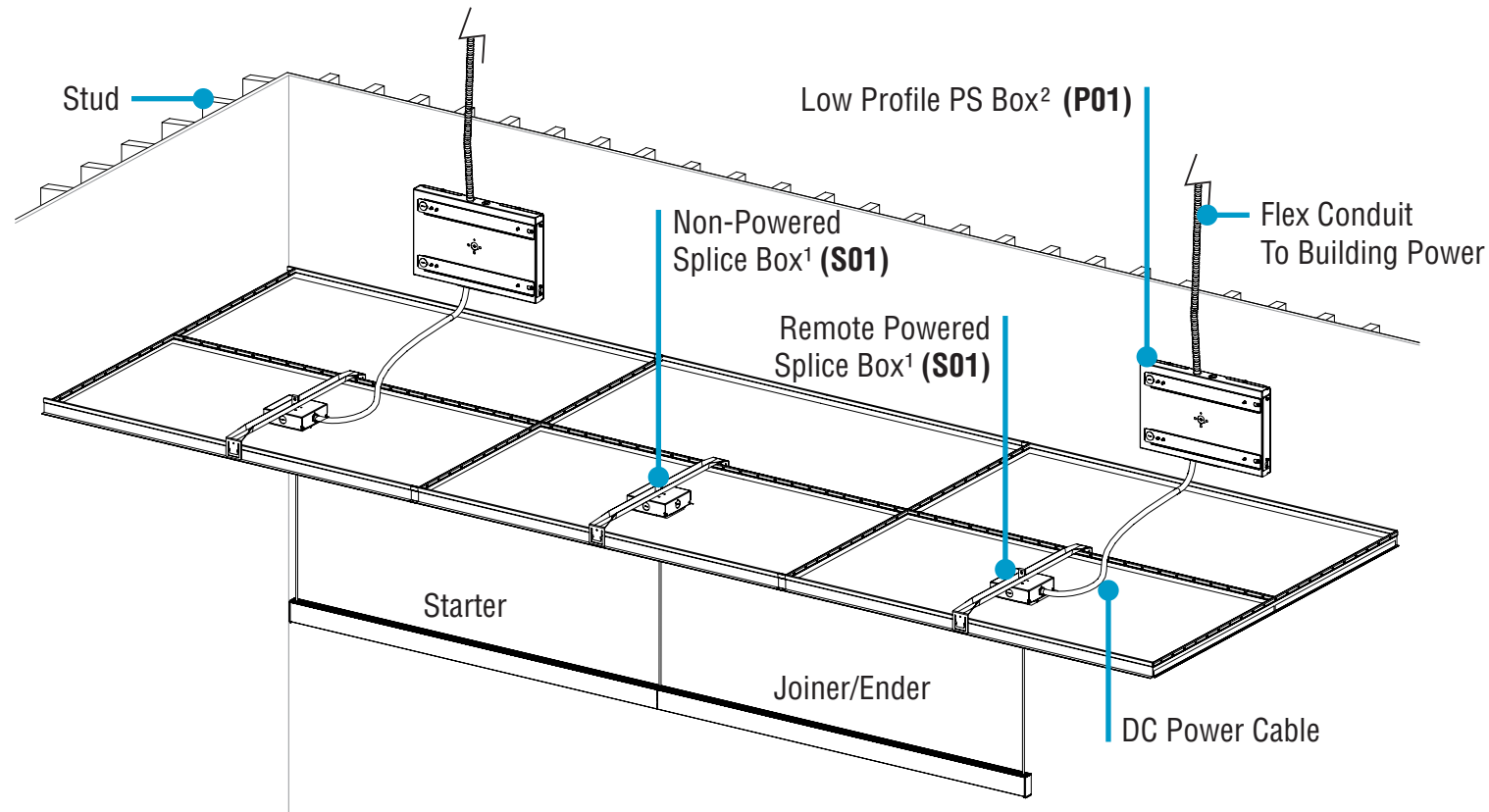
<sup>1</sup> Part by others but also available from Finelite upon request.

# E2 Indirect/Direct Linear With 3" Canopy Installation Instructions

## Optional – Remote Power Supply (PS) – T-Bar

Splice Box with Low Profile PS Box Remote Installation

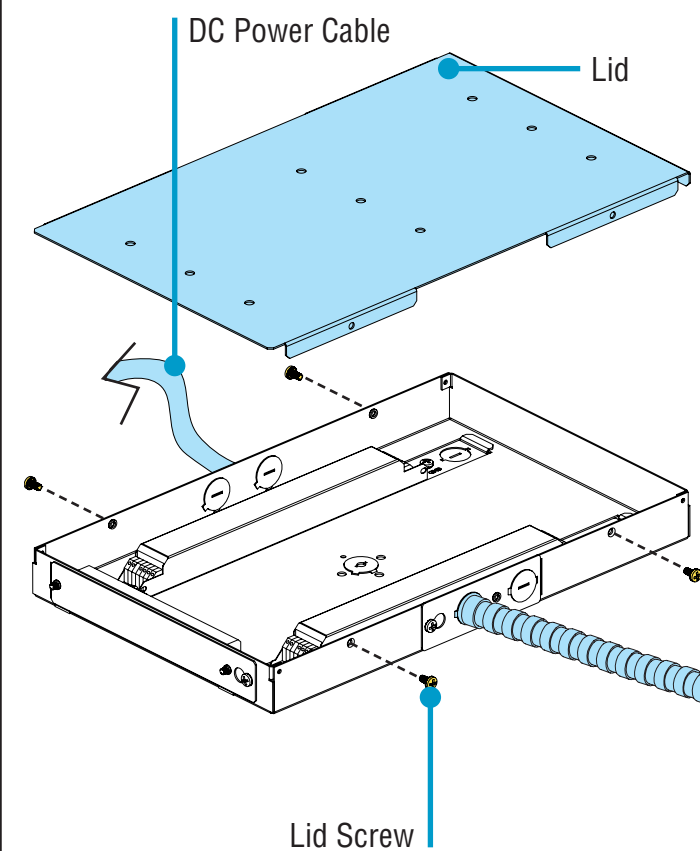
**Overview** Top-Down View



Wire Gauge <sup>3</sup> (AWG)	Distance <sup>4</sup> (ft.)	Pendant Feed Cable (in.)
12	85	50
	81	100
	77	150
14	52	50
	47	100
	43	150
18	17	50
	13	100
	9	150

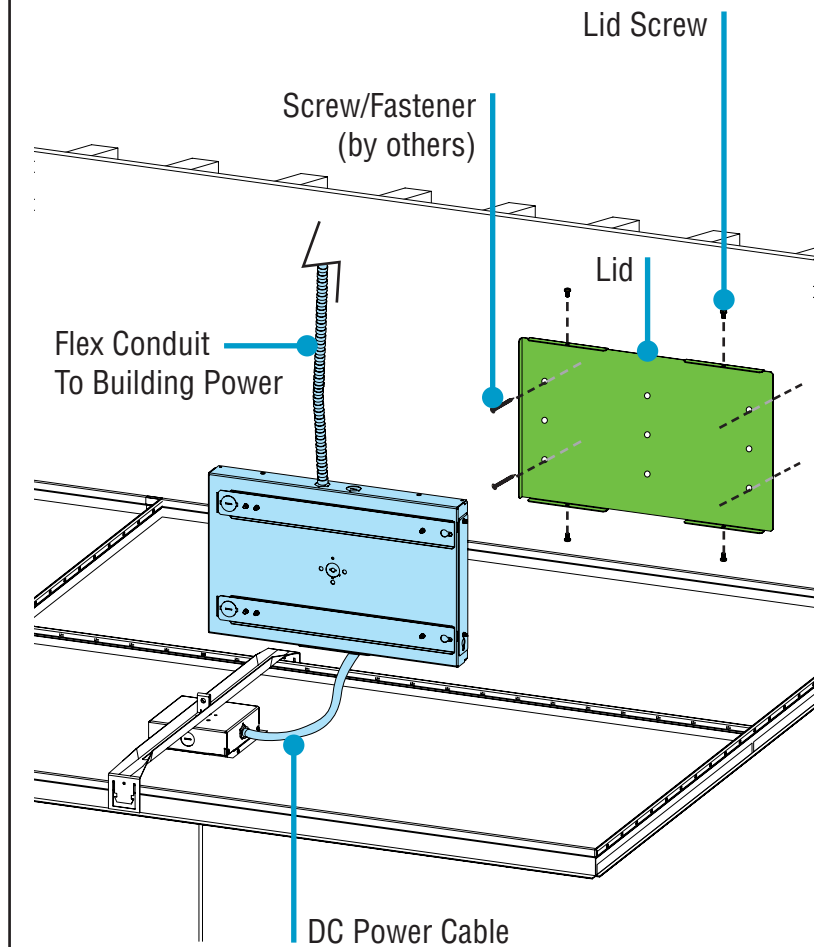
**NOTE:** To reduce EMI, use shortest length wires appropriate for your application and shielded wire or metallic conduit.

**A. Remove Lid**

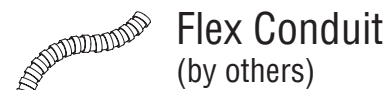
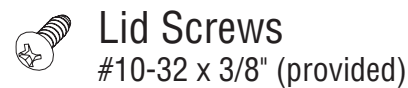
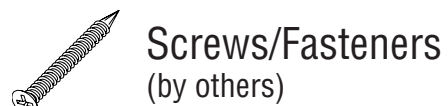


- Remove lid from Low Profile PS Box by unscrewing the lid screws.
- Connect DC power cable to opposite end of PS box.
- Connect flex conduit to building power.

**B. Mount Lid & PS Box** Top-Down View



- Using appropriate screws or fasteners, mount lid to wall and proper support structures, per building code.
- Mount Low Profile PS box to lid by replacing lid screws.
- Connect DC power cable to the splice box.



<sup>1</sup> For splice box T-Bar installation, see page 6.

<sup>3</sup> Wire gauge for minimum loss from power box to non-power box.

<sup>2</sup> For low profile PS box T-Bar installation, see page 5.

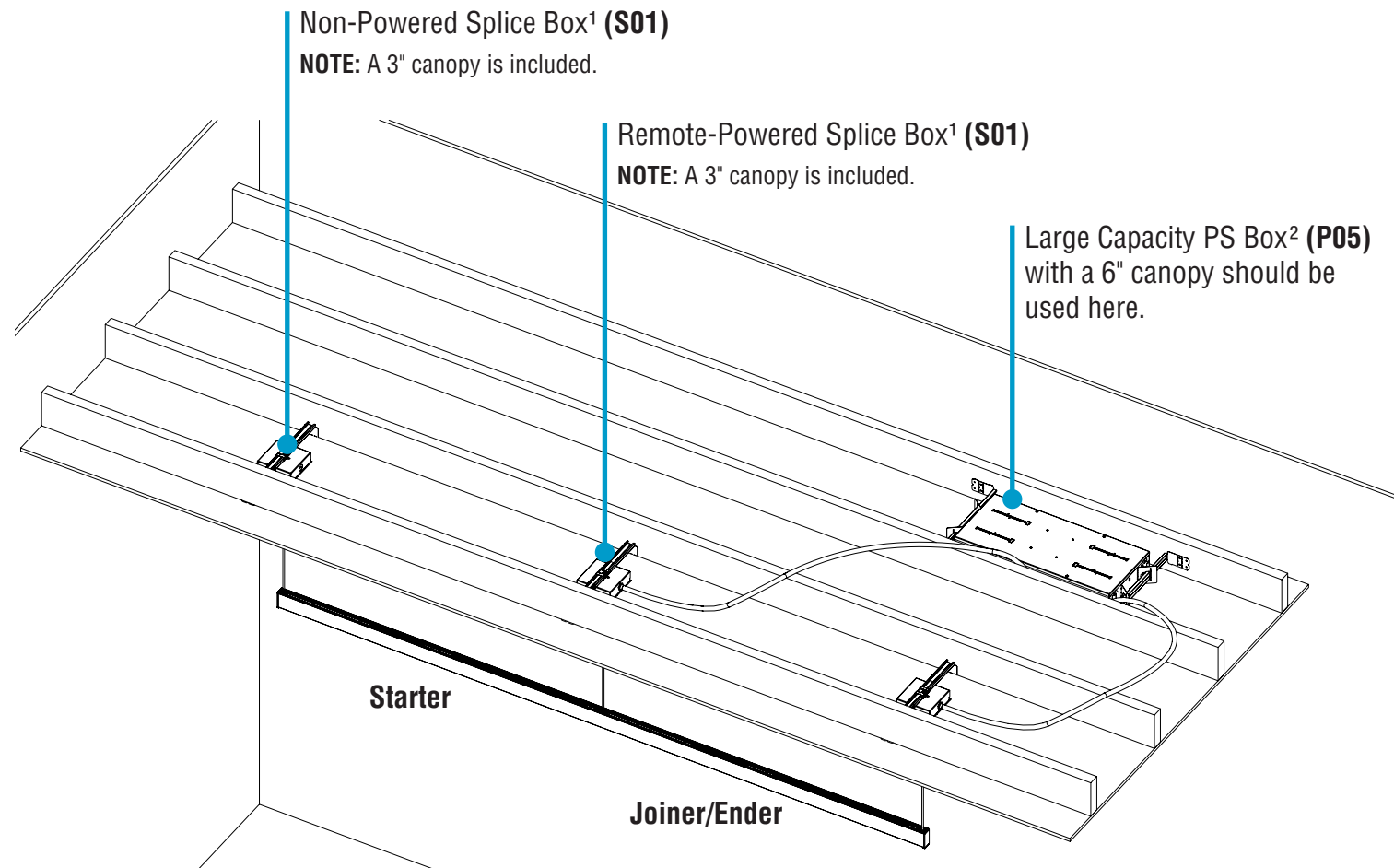
<sup>4</sup> Maximum distance from power box to non-power box.

# E2 Indirect/Direct Linear With 3" Canopy Installation Instructions

## Step 2 – Remote Power Supply (PS) – Drywall

### Overview

#### Overview Top-Down View



**NOTE:** To reduce EMI, use shortest length wires appropriate for your application and shielded wire or metallic conduit.

Wire Gauge <sup>3</sup> (AWG)	Distance <sup>4</sup> (ft.)	Pendant Feed Cable (in.)
12	85	50
	81	100
	77	150
14	52	50
	47	100
	43	150
18	17	50
	13	100
	9	150

#### For luminaire configurations with any of the following:

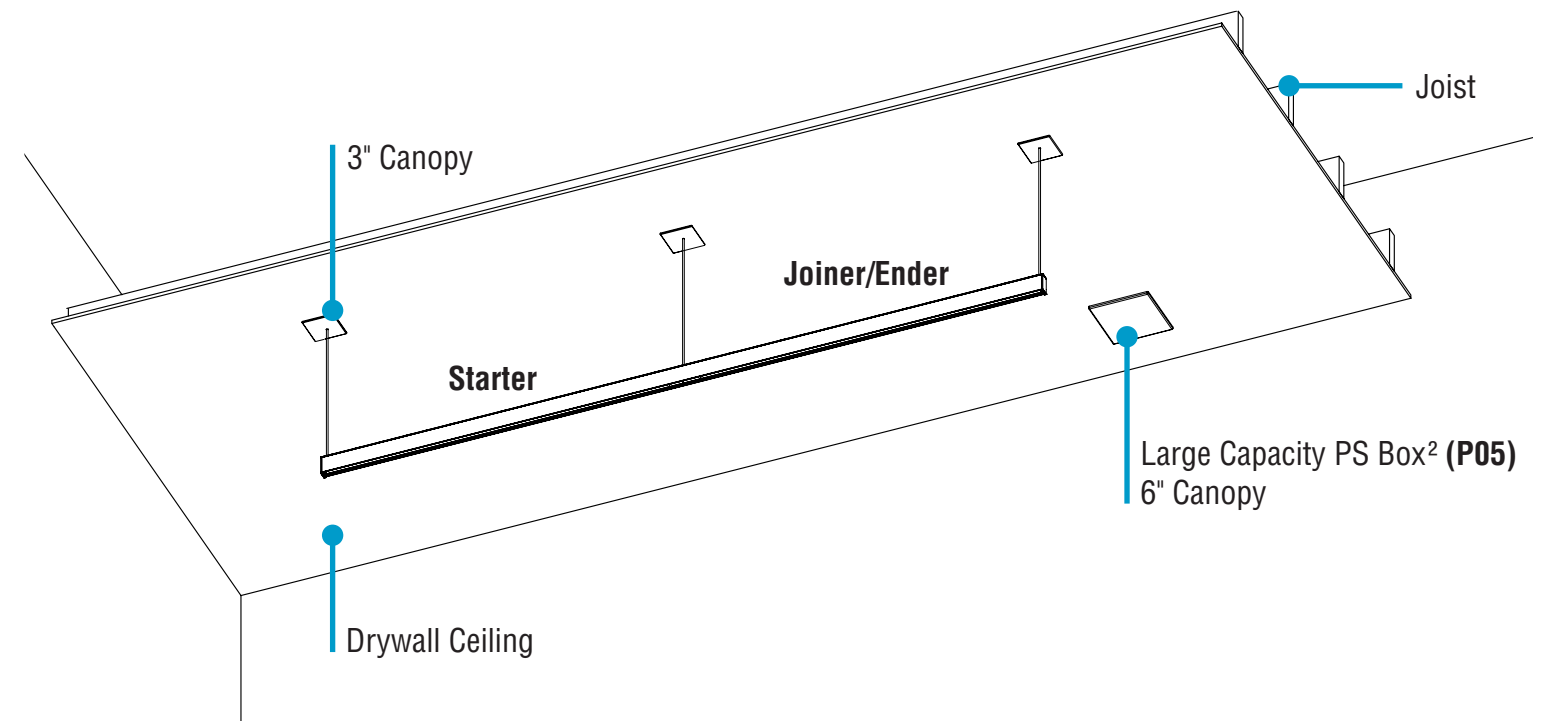


#### CAUTION

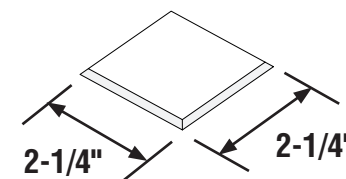
- Emergency to generator/inverter wiring
- Internal generator transfer switch
- Nightlight wiring
- Step-dimming driver
- Backup battery

The Large Capacity PS Box (P05) provides **more than one** power supply output source. To reduce the risk of electric shock, disconnect **both** normal and emergency sources within this unit before servicing any equipment connected to this unit.

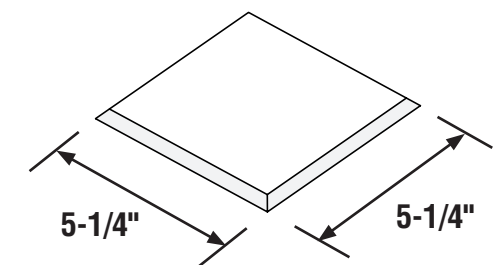
#### Bottom-Up View



#### 3" Canopy Rough-In Dimensions



#### Large Capacity PS Box 6" Canopy Rough-In Dimensions



<sup>1</sup> For splice box drywall installation, see page 10.

<sup>3</sup> Wire gauge for minimum loss from power box to non-power box.

<sup>2</sup> For Large Capacity PS Box drywall installation, see page 9.  
(3" canopy is not available.)

<sup>4</sup> Maximum distance from power box to non-power box.



# E2 Indirect/Direct Linear With 3" Canopy Installation Instructions

## Step 2 – Remote Power Supply (PS) – Drywall

Large Capacity Power Supply (PS) Box with a 6" Canopy

### A. Install Bar Hanger

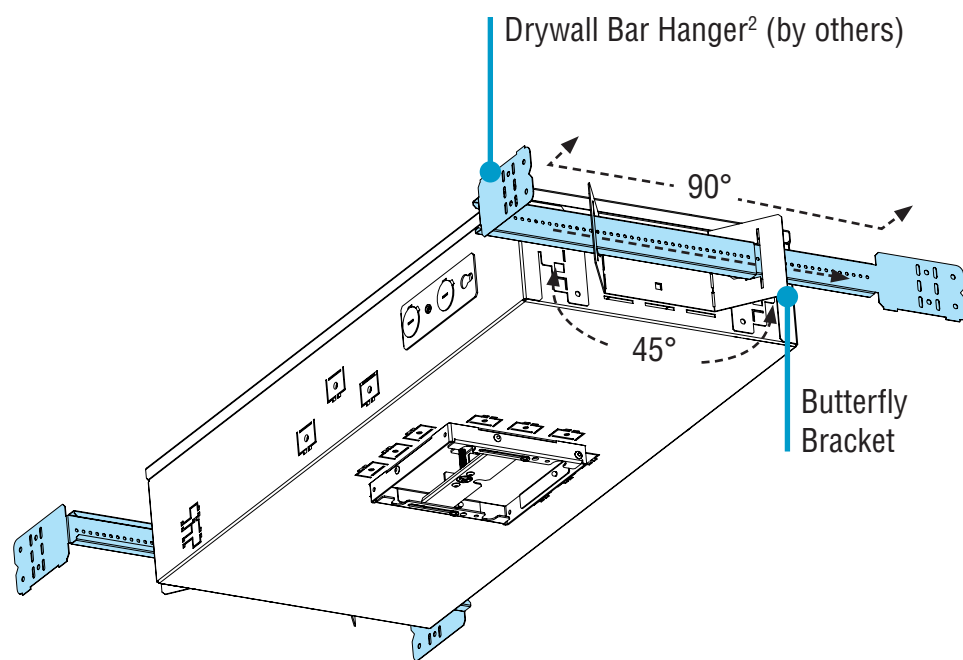


**CAUTION**

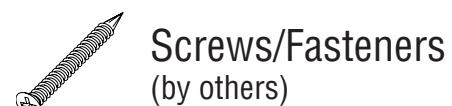
For luminaire configurations with any of the following:

- Emergency to generator/inverter wiring
- Internal generator transfer switch
- Nightlight wiring
- Step-dimming driver
- Backup battery

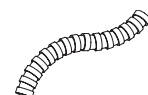
The Large Capacity PS Box (P05) provides **more than one** power supply output source. To reduce the risk of electric shock, disconnect **both** normal and emergency sources within this unit before servicing any equipment connected to this unit.



- Locate butterfly bracket affixed to sides of the Large Capacity PS Box and bend each wing at 45°.
- Install drywall bar hanger<sup>2</sup> by bending one end at 90°.
- Slide flat end through butterfly bracket slots.
- Complete drywall bar hanger installation by bending flat end at 90°.

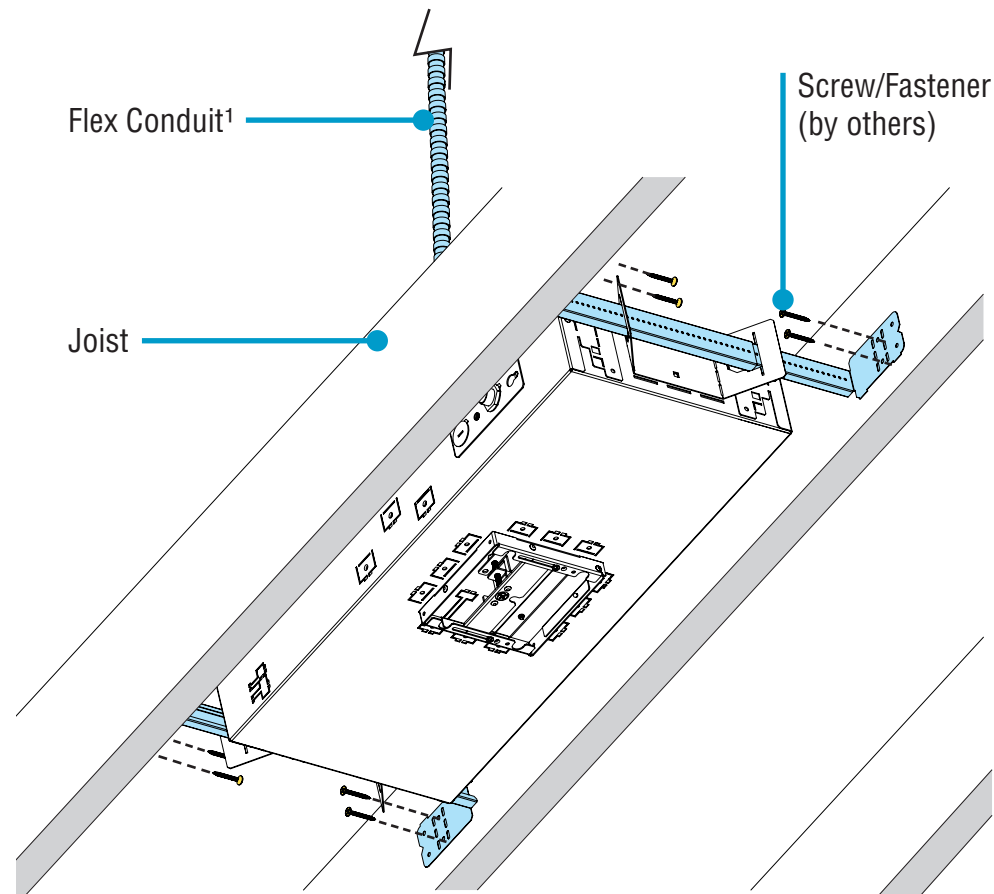


Drywall Bar Hanger<sup>2</sup>  
(by others)



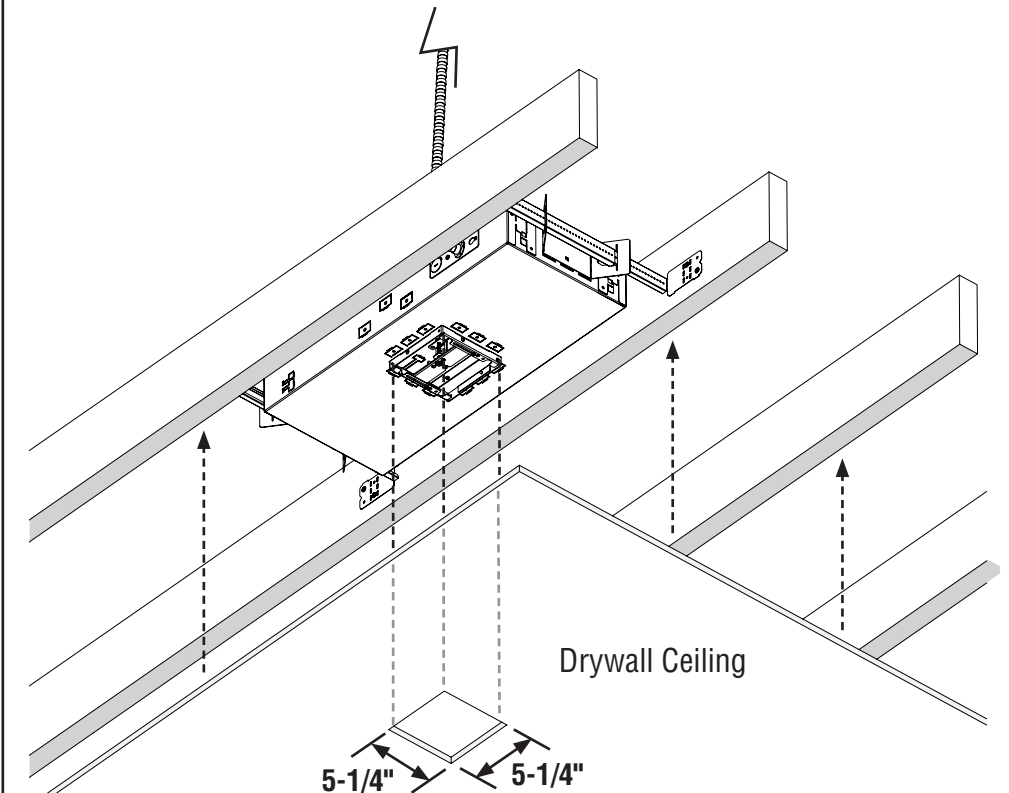
Flex Conduit  
(by others)

### B. Mount to Joists Bottom-Up View



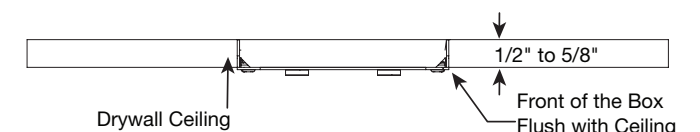
- Secure Large Capacity PS Box to joists using appropriate screws or fasteners, per building code.
- Apply flex conduit<sup>1</sup> to power feed knockout.

### C. Place Drywall Bottom-Up View



**CAUTION**

Collar must be flush with bottom of ceiling tile.



- Align collar with rough-in opening in drywall ceiling.
- Secure drywall to structure, per building code.

<sup>1</sup> Preferred power feed location shown.

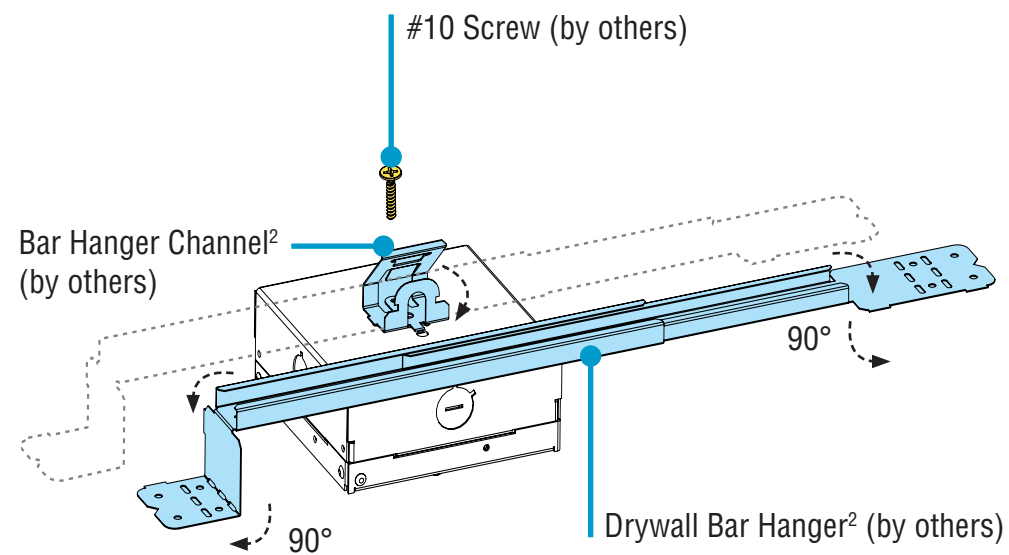
<sup>2</sup> Part by others but also available from Finelite upon request.

# E2 Indirect/Direct Linear With 3" Canopy Installation Instructions

## Step 2 – Remote Power Supply (PS) – Drywall

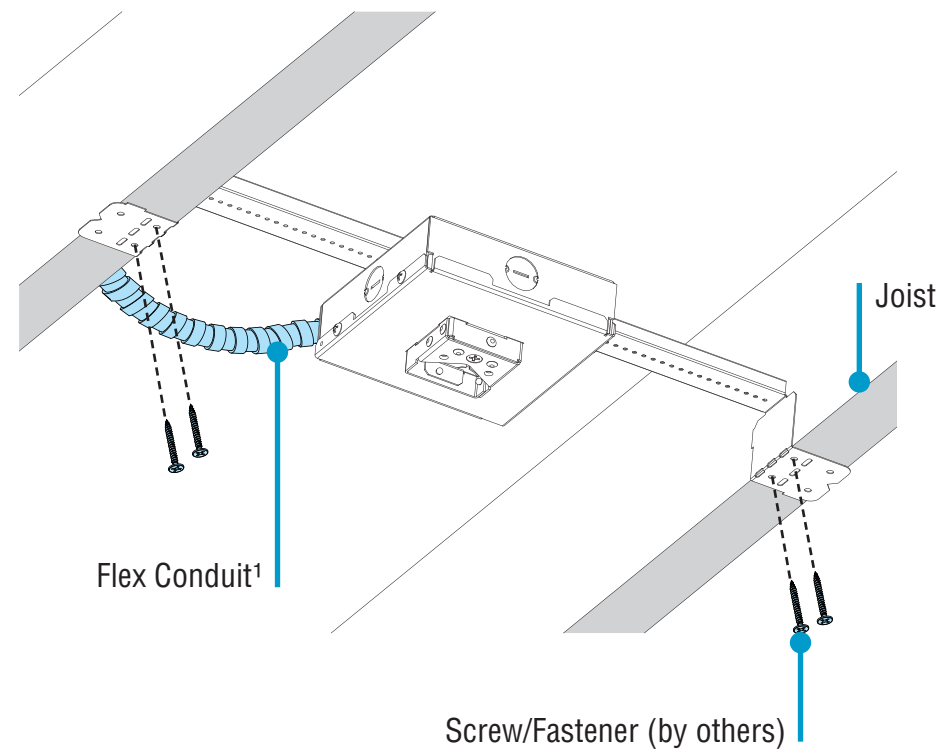
Splice Box

### A. Install Bar Hanger Top-Down View



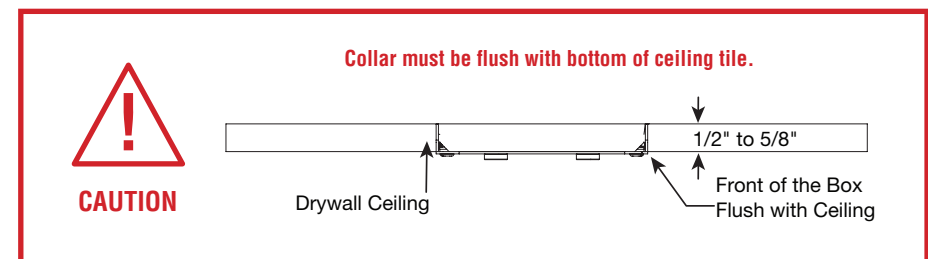
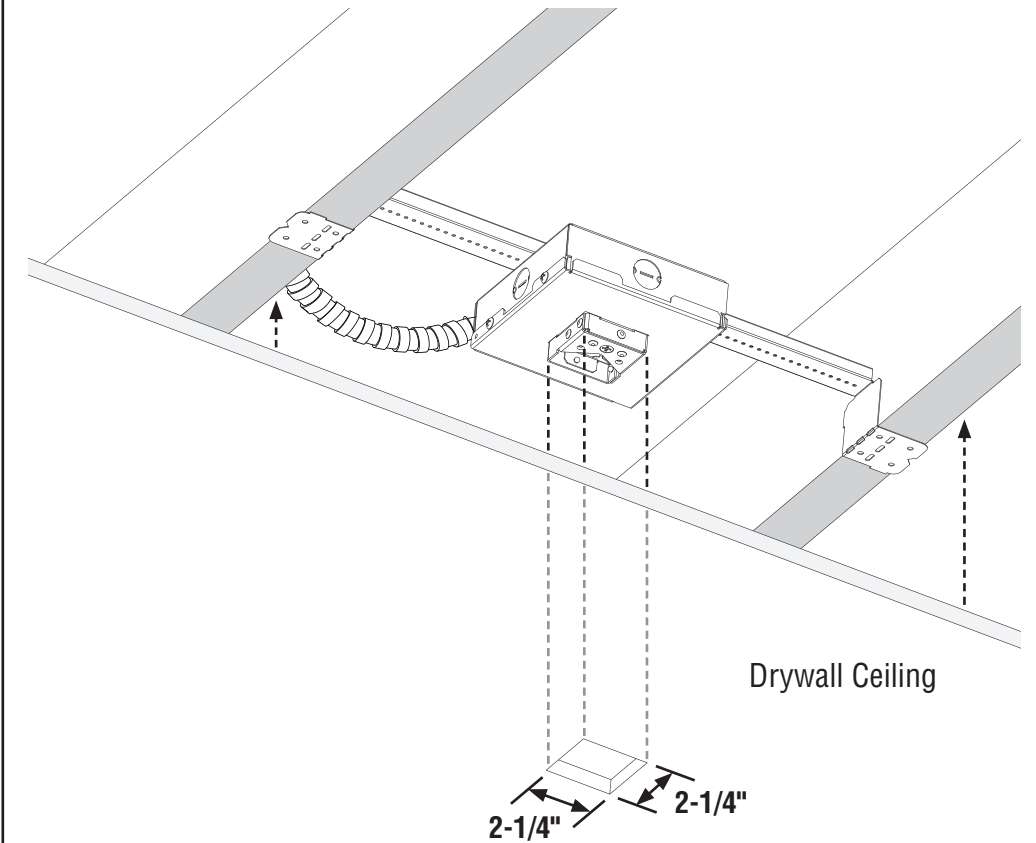
- Install bar hanger channel<sup>2</sup> onto Splice Box by securing with appropriate #10 screw.
- Install drywall bar hanger<sup>2</sup> by placing into mouth of bar hanger channel and snap channel closed.
- Bend both ends of drywall bar in alternating 90° step pattern.

### B. Mount to Joists Bottom-Up View

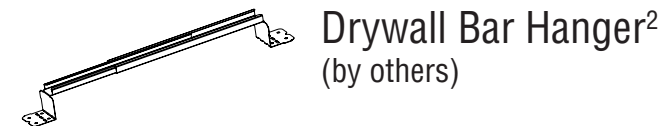
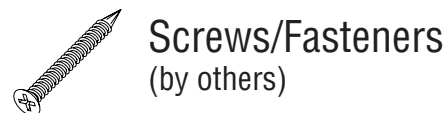


- Secure splice box to joists using appropriate screw or fasteners, per building code.
- Apply flex conduit<sup>1</sup> to power feed knockout.

### C. Place Drywall Bottom-Up View



- Align collar with rough-in opening in drywall ceiling.
- Secure drywall to structure, per building code.

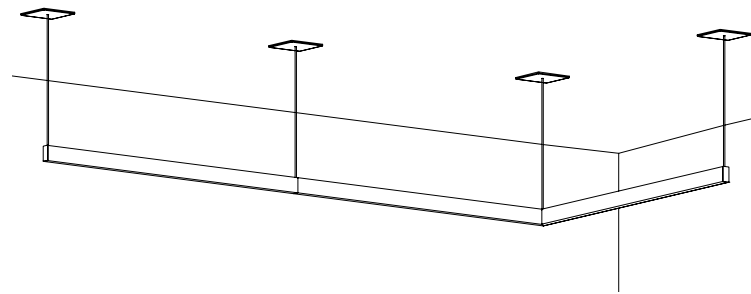


<sup>1</sup> Preferred power feed location shown.  
<sup>2</sup> Part by others but also available from Finelite upon request.

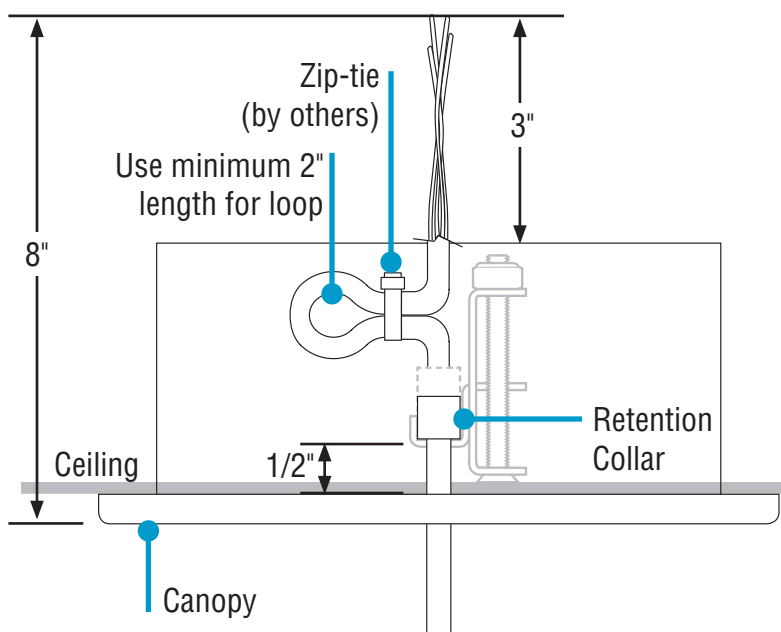
# E2 Indirect/Direct Linear With 3" Canopy Installation Instructions

## Step 3 - Mounting Starter to Structure

### Overview

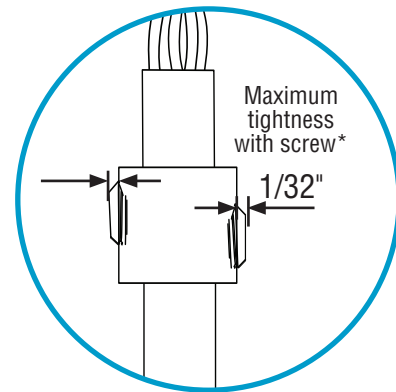


### Adjustable Power Cable (APC) Length

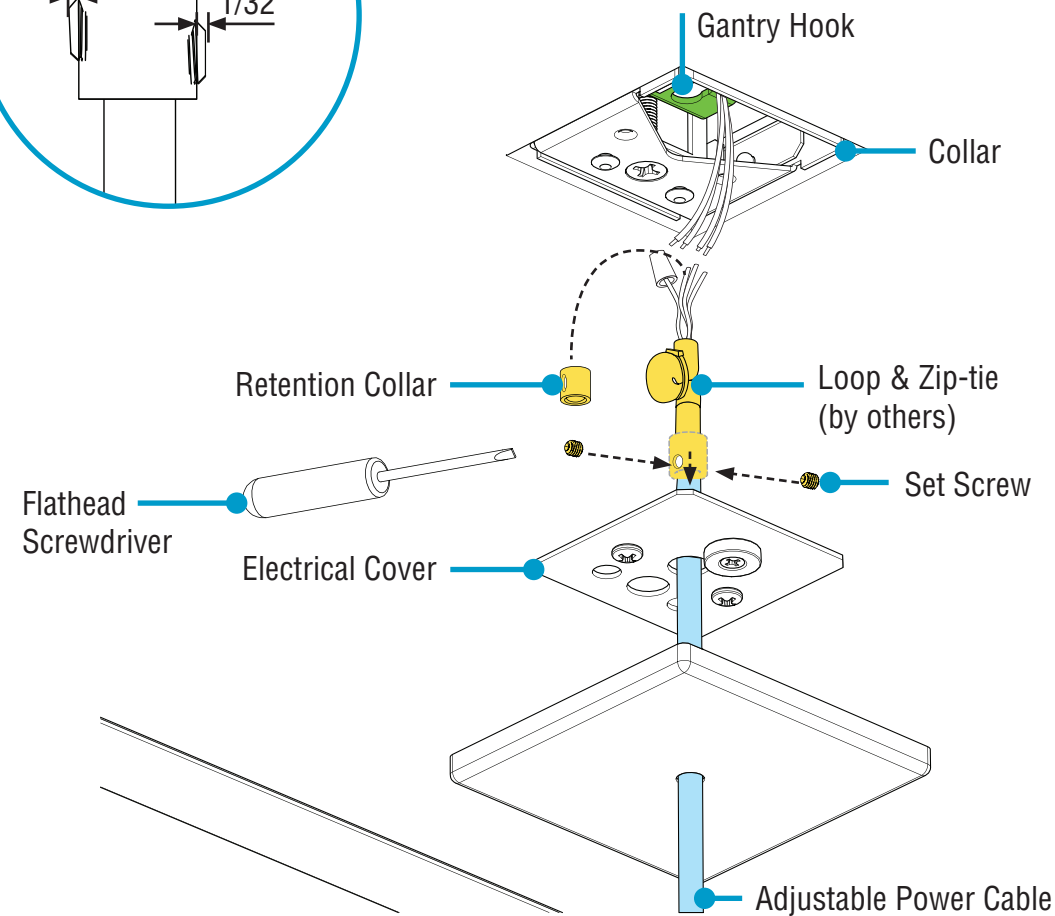


- Cut APC a minimum 8" longer than desired suspension length.
- Strip 3" of cable sheathing.
- Create a minimum 2" loop with zip-tie (by others)
- Place retention collar a minimum 1/2" from end of sheathing.

### A. Connect Power Cables

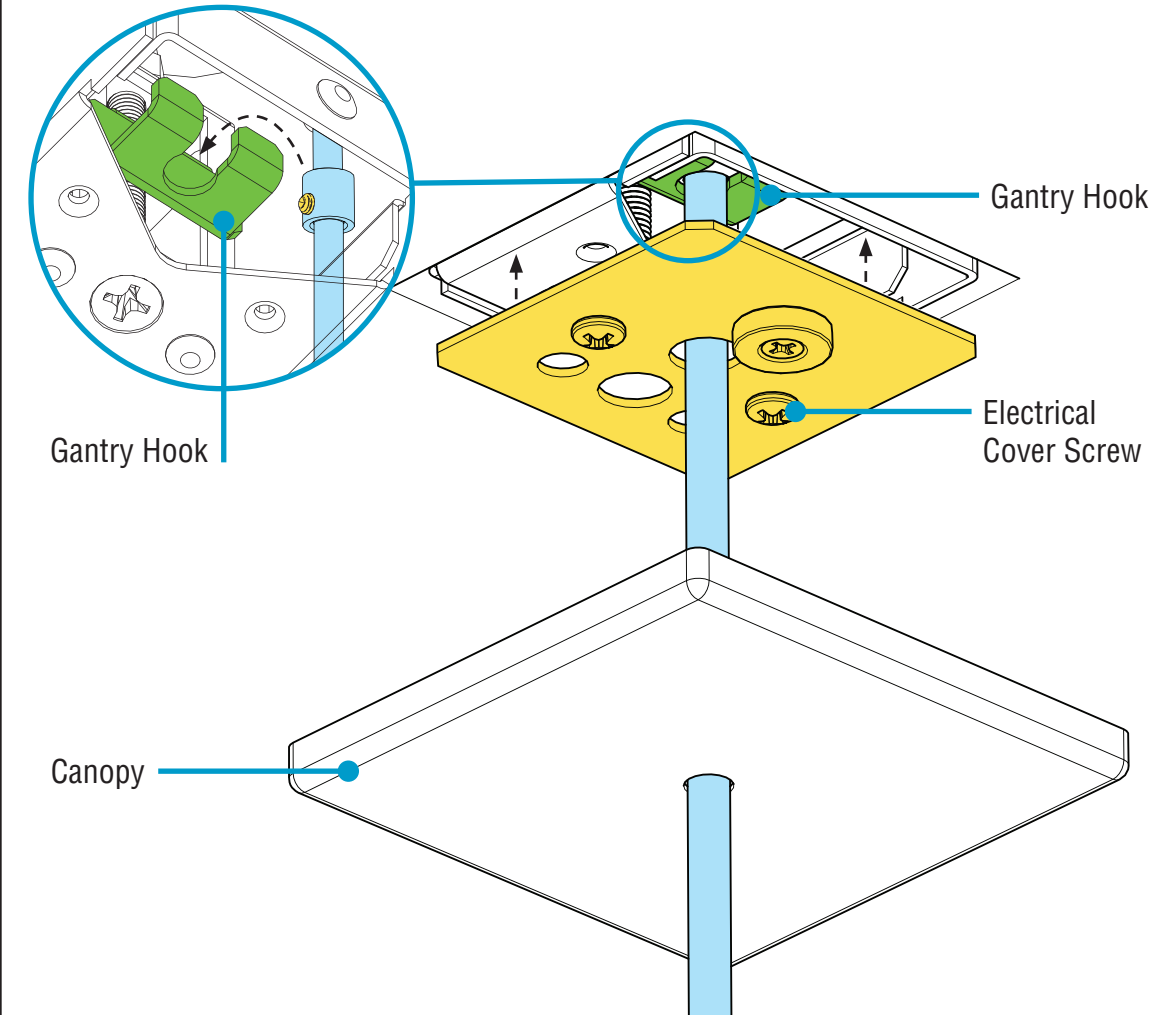


Do not over-tighten set screws. Set screws require only 2-4 inch-lbs of torque to properly secure the adjustable power cables. Apply even pressure to each set screw by alternating back and forth as you tighten set screws.



- Remove the retention collars from adjustable power cables.
- Replace retention collars onto adjustable power cables and secure with set screws.
- Create a minimum 2" loop with zip-tie (by others)
- **CAUTION:** Do not over-tighten set screws. Set screws require only 2-4 inch-lbs of torque to properly secure the adjustable power cables.

### B. Replace Electrical Cover & Canopy



- Hang adjustable power cable onto gantry hook.
- Replace electrical cover over collar with the two electrical cover screws.
- If you are not installing a joiner/ender in the next step, level luminaire to desired height (see Step 6, page 14) prior to turning power on.



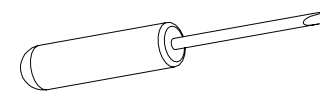
Retention Collar  
(provided)



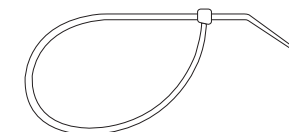
Set Screw  
#10-32 x 3/16" (provided)



Electrical Cover Screws  
#6-32 x 3/16" (provided)



Flathead Screwdriver  
(provided)



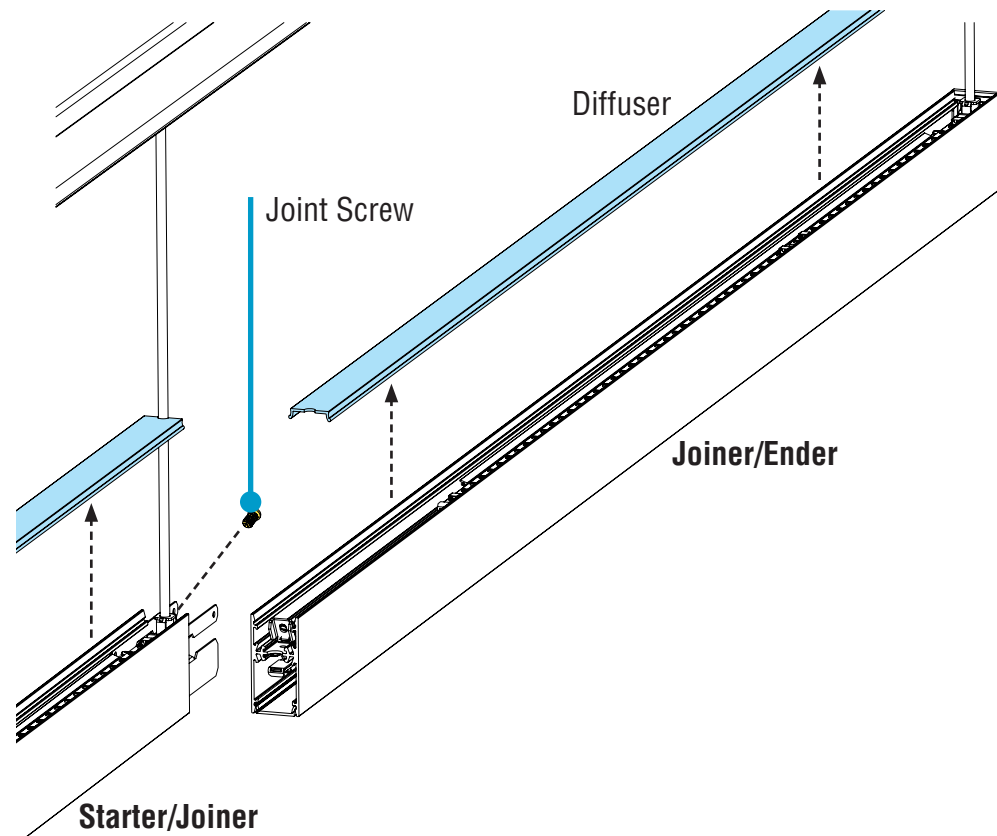
Zip-tie  
(by others)

\* Alteration tightening the set screws to insure even pressure

# E2 Indirect/Direct Linear With 3" Canopy Installation Instructions

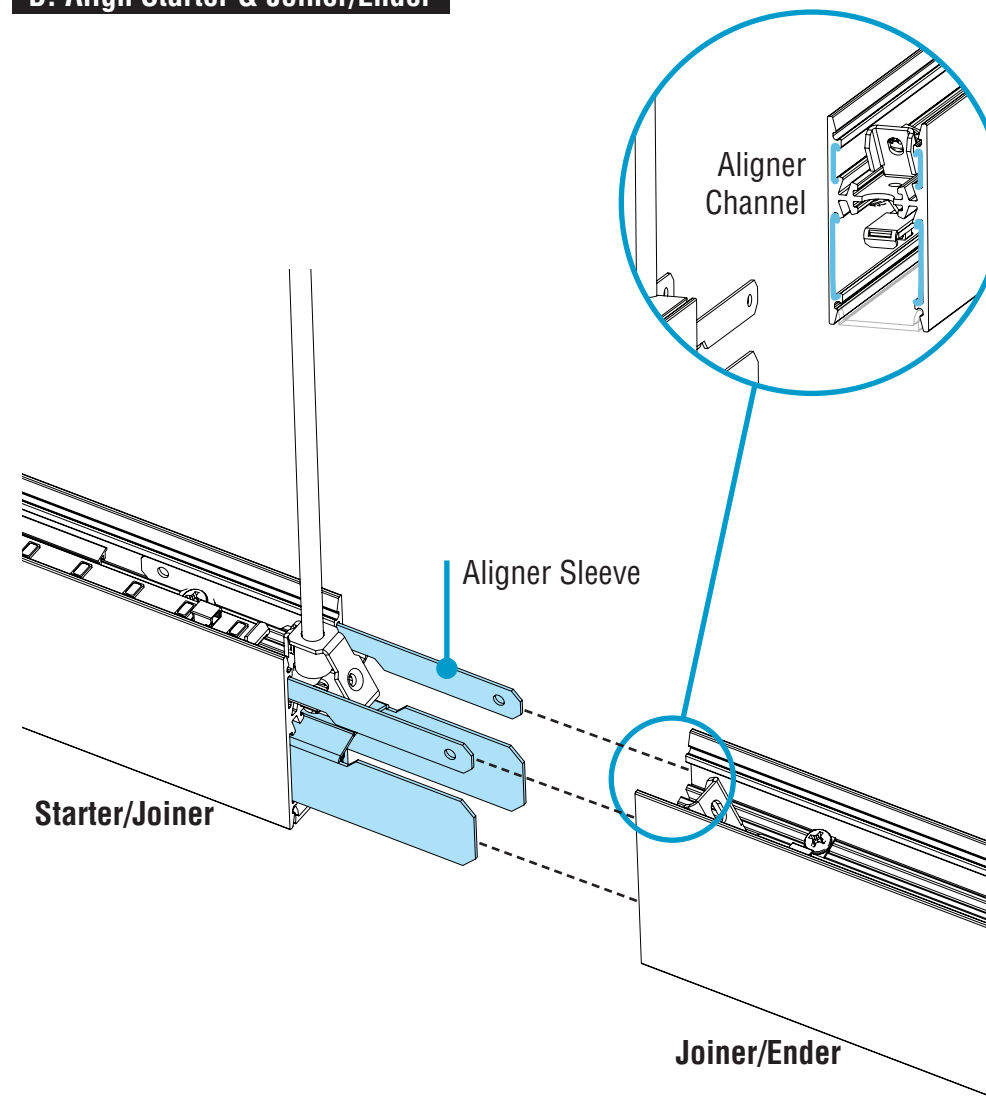
## Step 4 - Securing Luminaire Joints

### A. Remove Diffusers



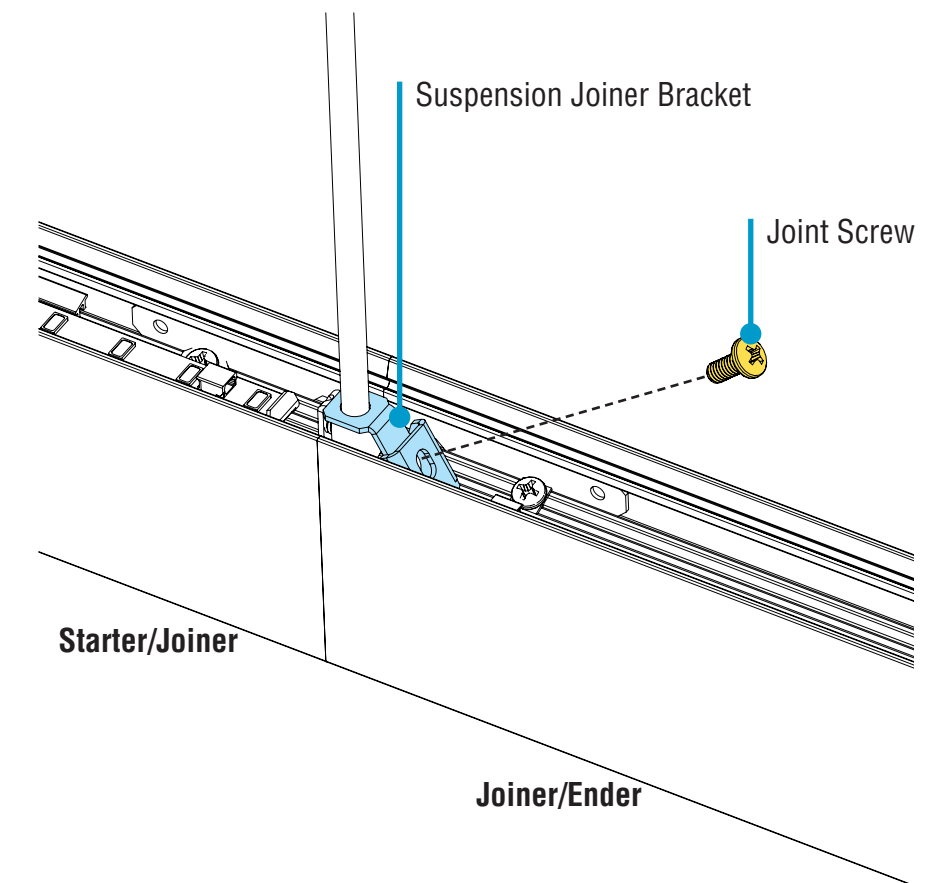
- Ensure starter luminaire is level prior to adding joiner/ender.
- Remove diffusers from starter and joiner/ender luminaires and set aside to prevent from getting dirty or damaged.
- Remove joint screw from suspension joiner bracket. Set aside and do not lose.

### B. Align Starter & Joiner/Ender



- Align joiner/ender with aligner sleeves and ensure aligner sleeves slide into appropriate channels.

### C. Secure Joint



- Secure joint by replacing joint screw through suspension joiner bracket.
- **CAUTION:** Do not tighten screw until final leveling step is performed (page 14, step 6).

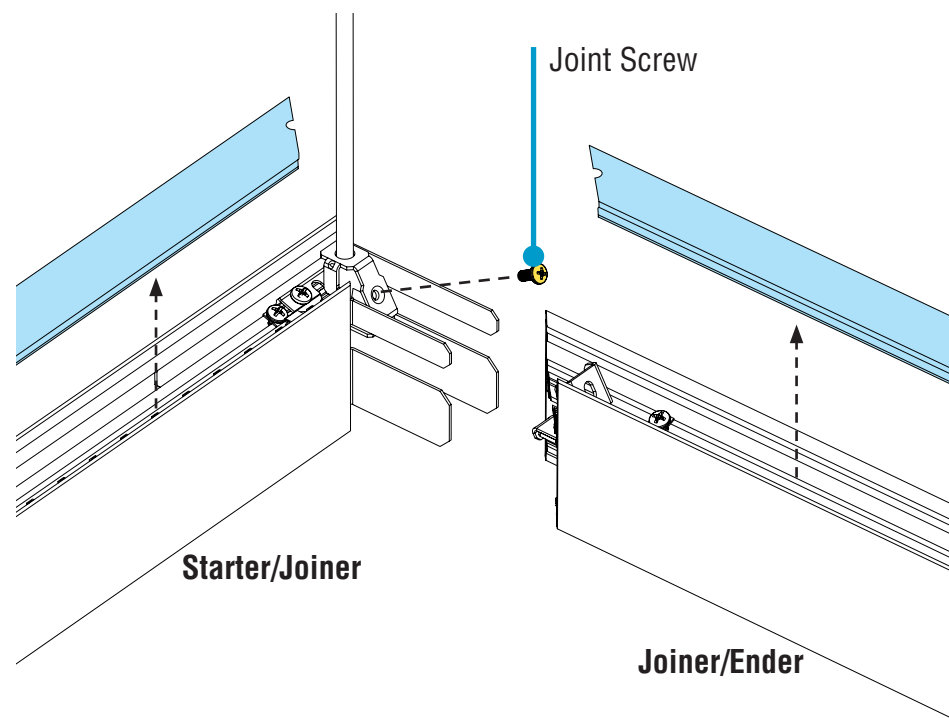


Joint Screw  
#8-32 x 3/8" (provided)

# E2 Indirect/Direct Linear With 3" Canopy Installation Instructions

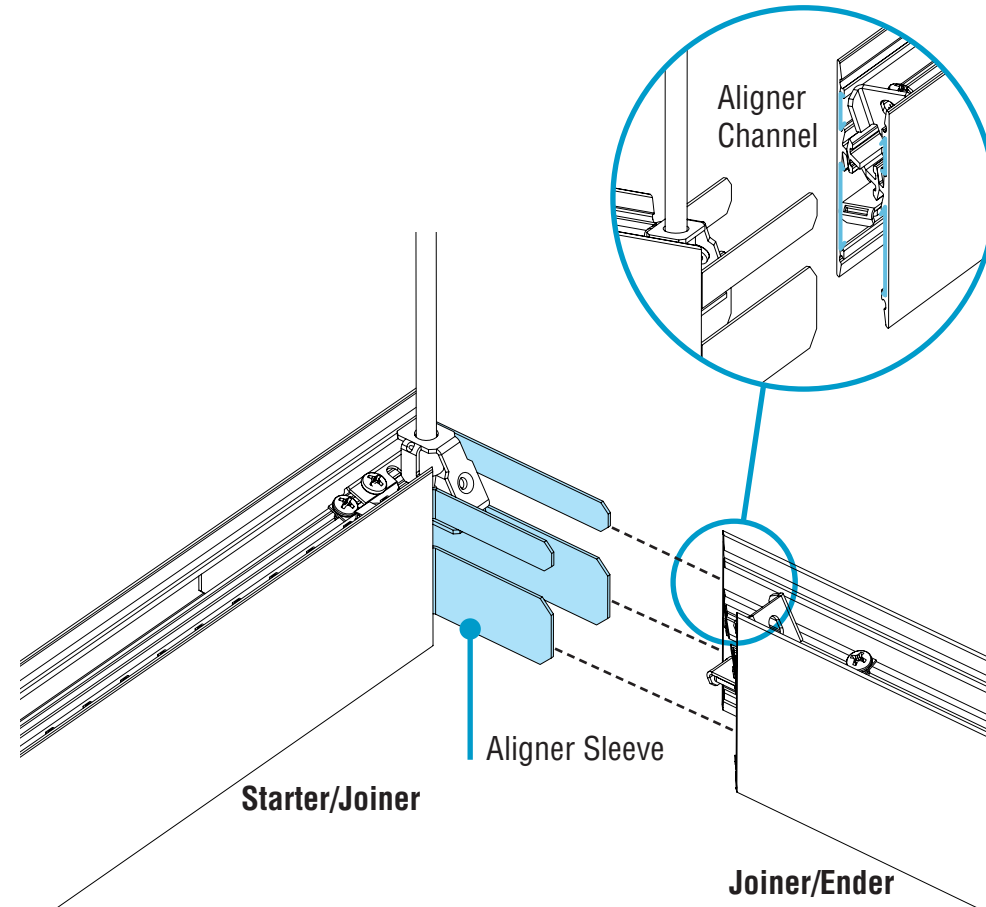
## Step 5 - Joining Corners

### A. Remove Diffusers



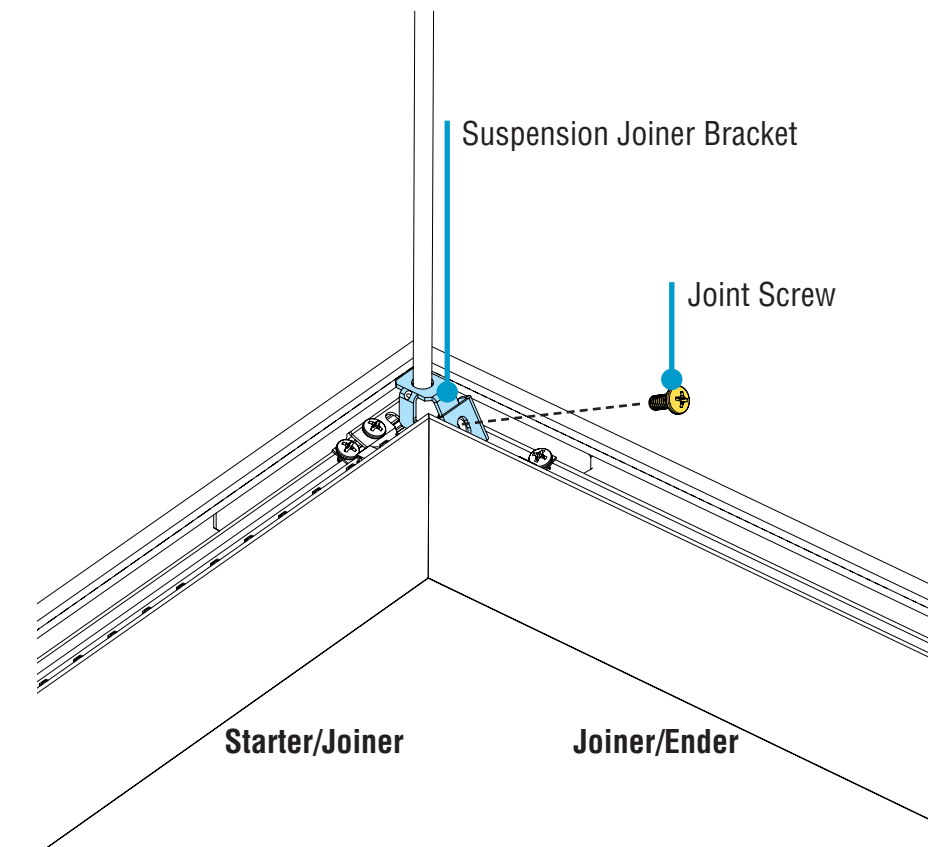
- Ensure starter/joiner luminaire is level prior to adding joiner/ender.
- Remove diffusers from starter and joiner/ender luminaires and set aside to prevent from getting dirty or damaged.
- Remove joint screw from suspension joiner bracket. Set aside and do not lose.

### B. Align Starter/Joiner & Joiner/Ender



- Align joiner/ender with aligner sleeves and ensure aligner sleeves slide into appropriate channels.

### C. Secure Corner Joint



- Secure joint by replacing joint screw through suspension joiner bracket.
- **CAUTION:** Do not tighten screw until final leveling step is performed (page 14, step 6).

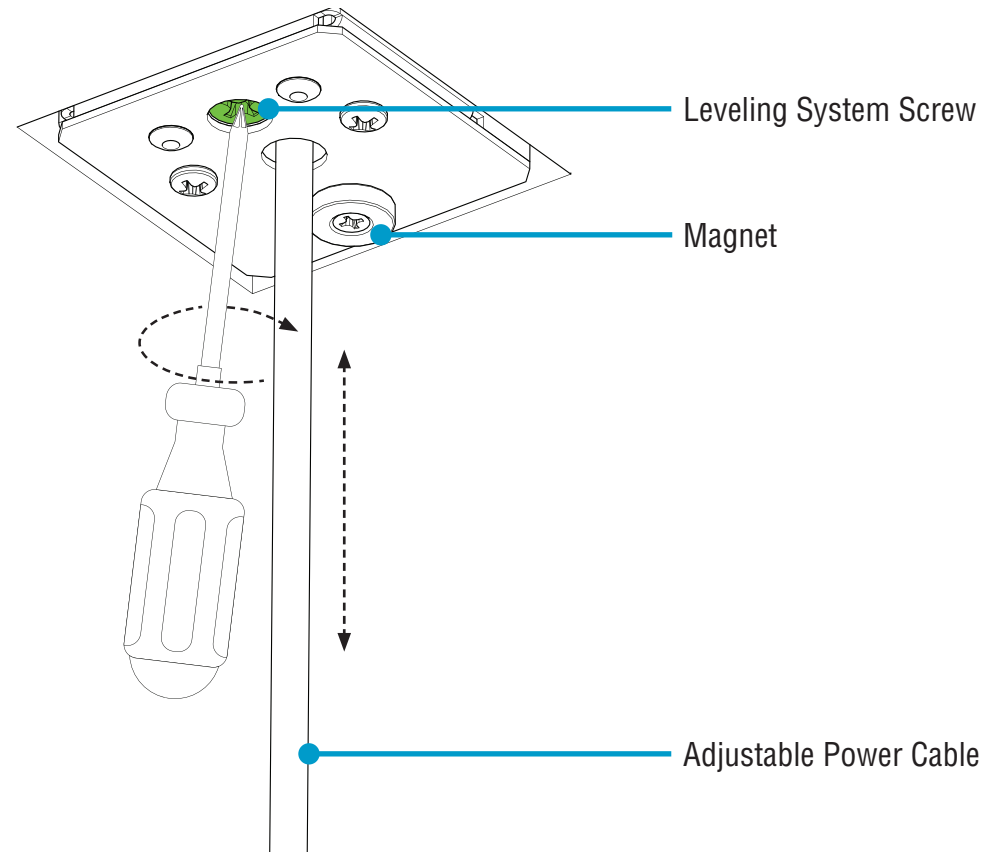


Joint Screw  
#8-32 x 3/8" (provided)

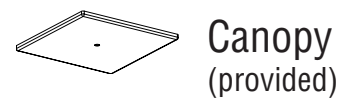
# E2 Indirect/Direct Linear With 3" Canopy Installation Instructions

## Step 6 - Leveling & Closing Luminaires

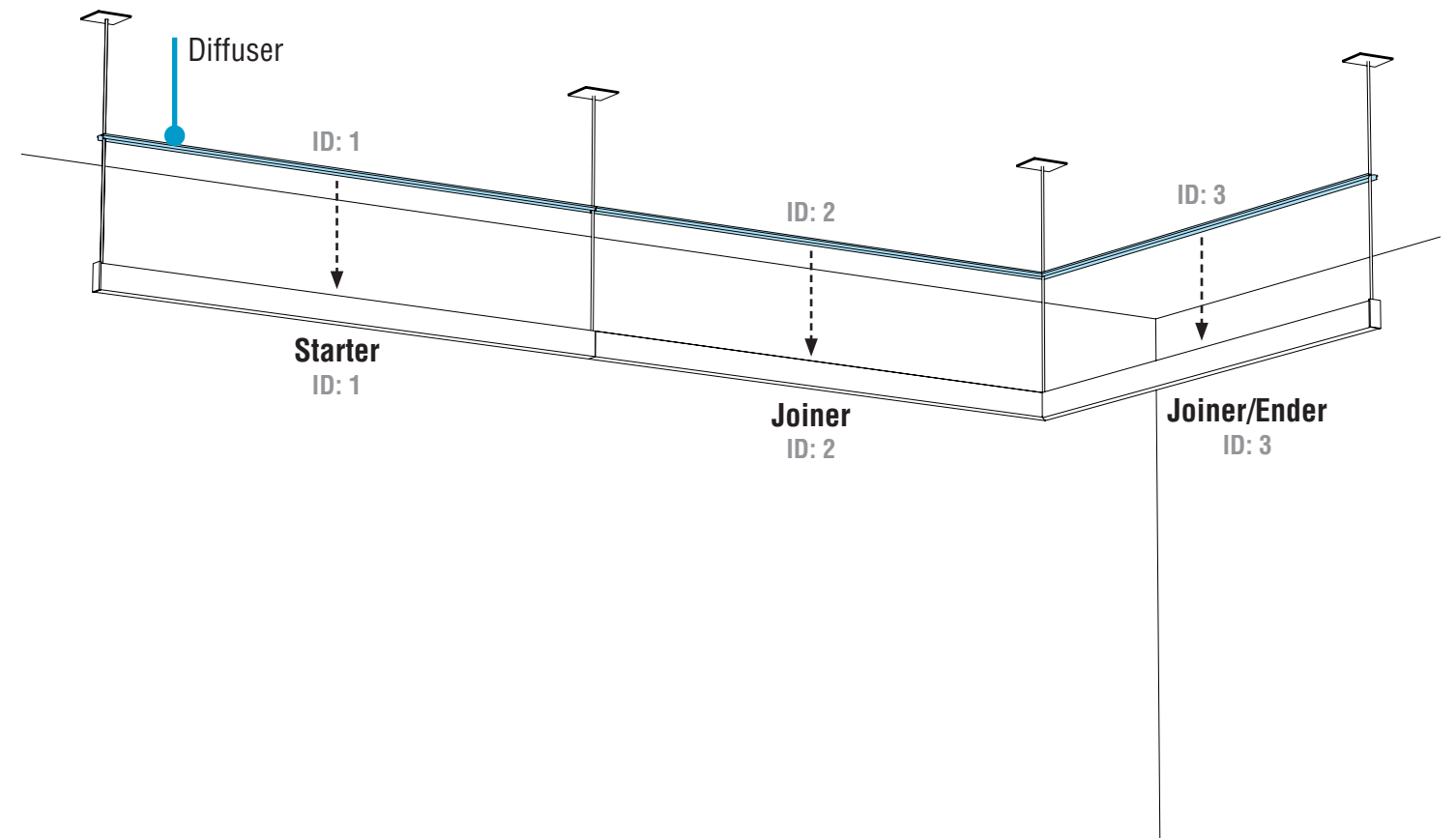
### A. Level Luminaire Bottom-Up View



- Using a screwdriver, turn screw to adjust luminaire to desired height.
- Turn screw counterclockwise to raise, turn clockwise to lower.
- **NOTE:** Maximum of 1" for leveling adjustment.
- Snap canopy back into place using magnets found on electrical cover.



### B. Final Step - Replace Diffusers



- Tighten joint screw for suspension joiner brackets at all joints.
- Replace diffusers to all luminaires.
- **CRITICAL:** Be sure to install correct diffuser to its corresponding luminaire ID.
- Turn power on to luminaire.



Leveling System