

# HPX Surface Mount Installation Instructions

## Overview

### NOTES

- All power connections should be installed according to local/national codes by a Certified Electrician.
- This installation requires **proper support** as each luminaire is being installed.
- **DO NOT attempt to join luminaires together on the floor.** Damage may result when lifted.



HELPFUL  
VIDEOS



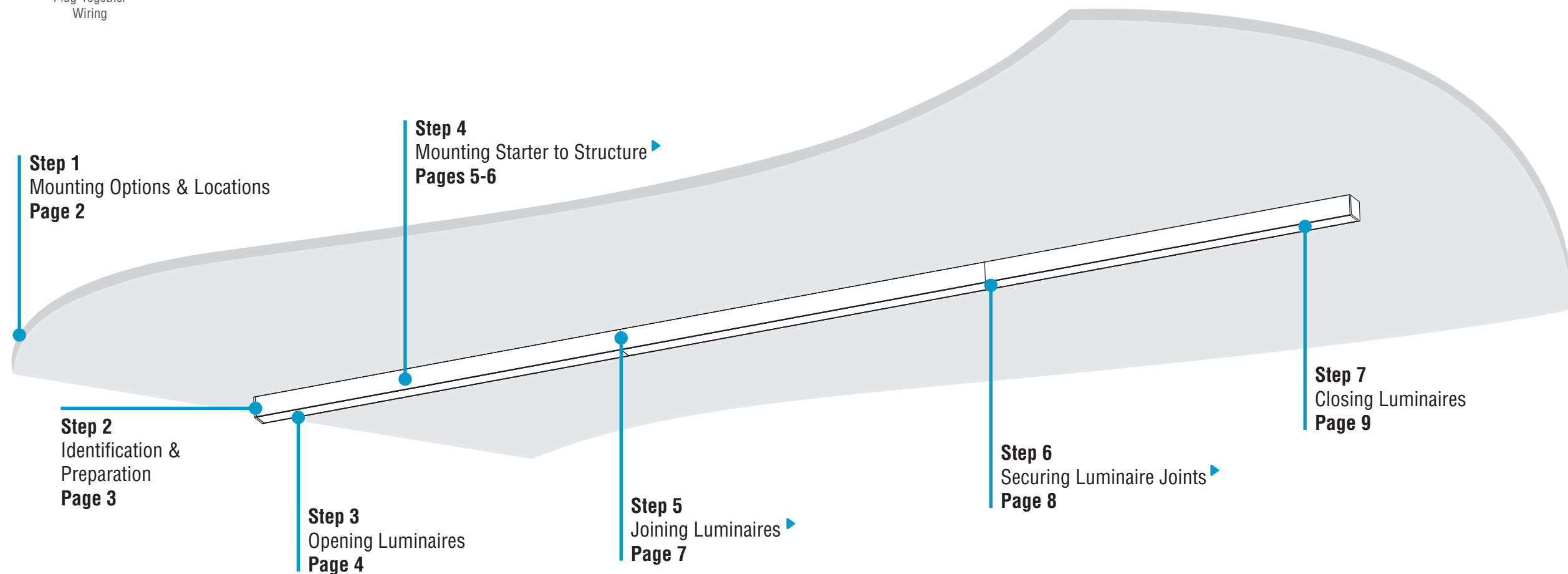
0-10V  
Dimming



Simple  
Plug-Together  
Wiring



HPX Joints



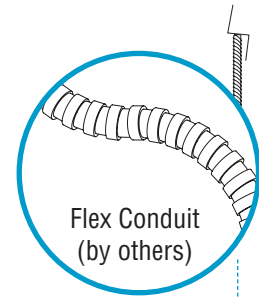
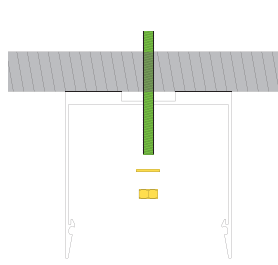
# HPX Surface Mount Installation Instructions

## Step 1 - Mounting Options & Locations

### Mounting Options

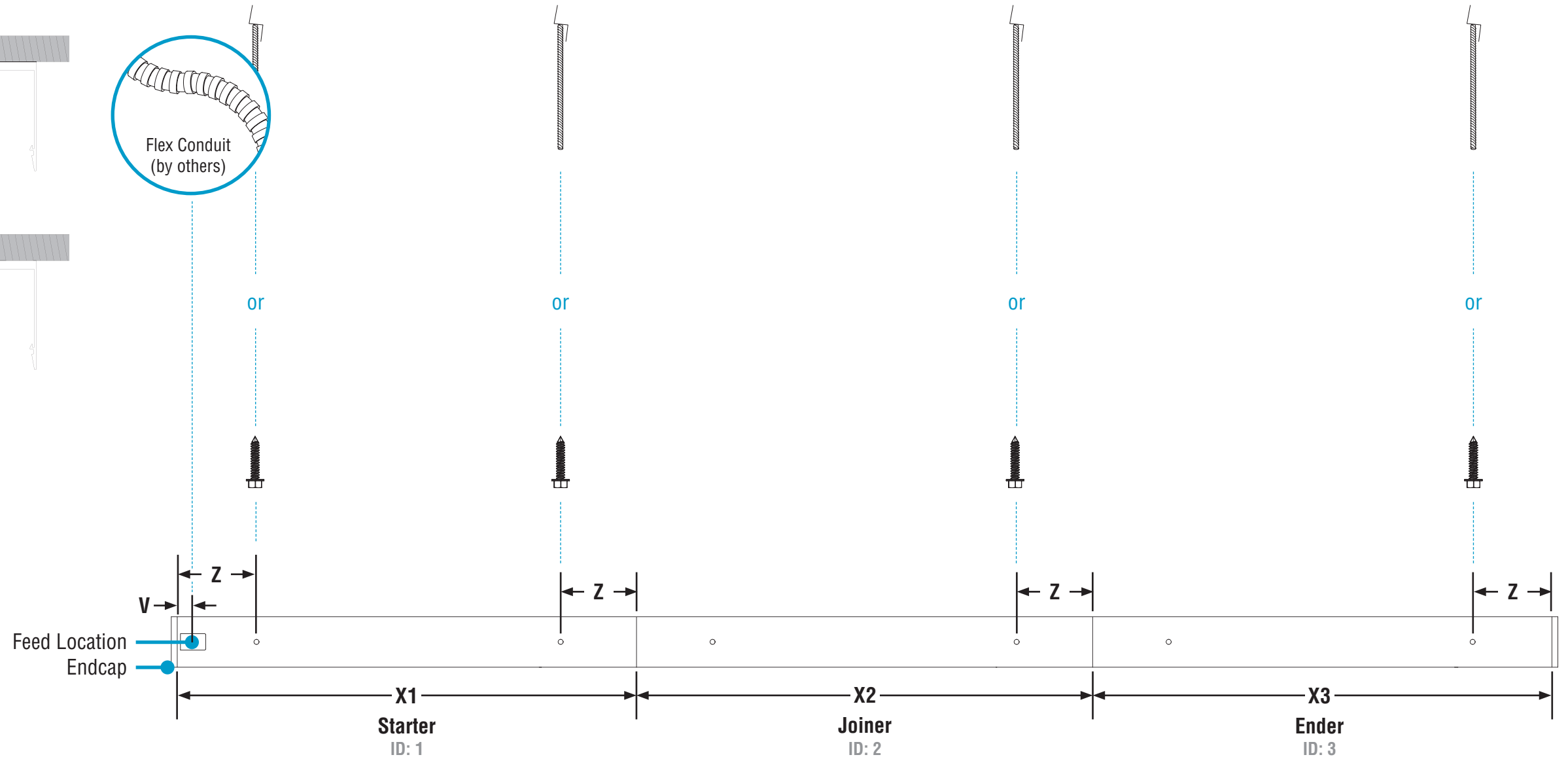
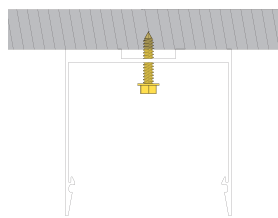
#### Option 1 - Mount to Threaded Rod

- Install threaded rods to structure.
- Threaded rod must exceed distance to wall/ceiling surface by 1-1/2".
- Install electrical junction box and electrical conduit at feed locations.



#### Option 2 - Mount to Support Structure

- Install electrical junction box and electrical conduit at feed locations.



### Mounting Locations

X = Luminaire section length  
(X Measurements **do not include** endcaps)

	Z = Mounting Hole Location	V = Feed Location
HPX	4"	3/4"

- Luminaire mounting holes sized for 1/4"-20 hardware (by others).
- Refer to Record Drawings and building plans to determine exact mounting, suspension points, and power feed locations.
- **CRITICAL:** Drywall or weak paneling must be secured to support blocking (studs) around wall/ceiling.

**Mounting Option 1**

- Threaded Rod (by others)
- 1/4"-20 Washer (by others)
- 1/4"-20 Nut (by others)

**Mounting Option 2**

- 1/4"-20 Lag Bolt (by others)

Flex Conduit (by others)

# HPX Surface Mount Installation Instructions

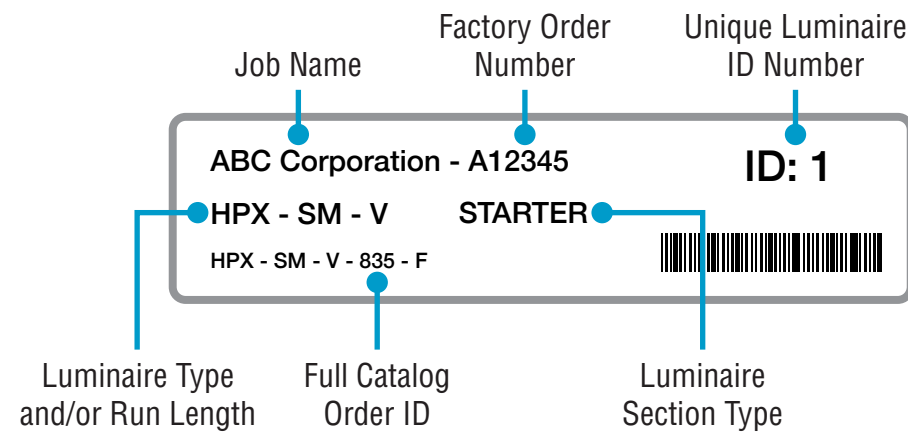
## Step 2 - Identification & Preparation

### A. Identify Luminaires



Arrange luminaires in order according to ID# at their install locations.

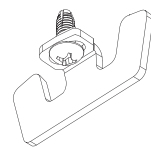
**CAUTION**



- Identify all luminaires by their ID label that can be found on the box, the protective bag, and inside the luminaire.
- **NOTE:** Exact location of labels in these areas may vary.
- Remove all luminaires from their box.
- Refer to Record Drawings that can be found in the hardware kit.

### Kitted Hardware

- Finelite has provided items listed here, with their Finelite part numbers. These items can be found in separate boxes shipped with the luminaire.
- Account for all parts and set aside until they are needed.
- All other hardware needed for this installation will be by others.

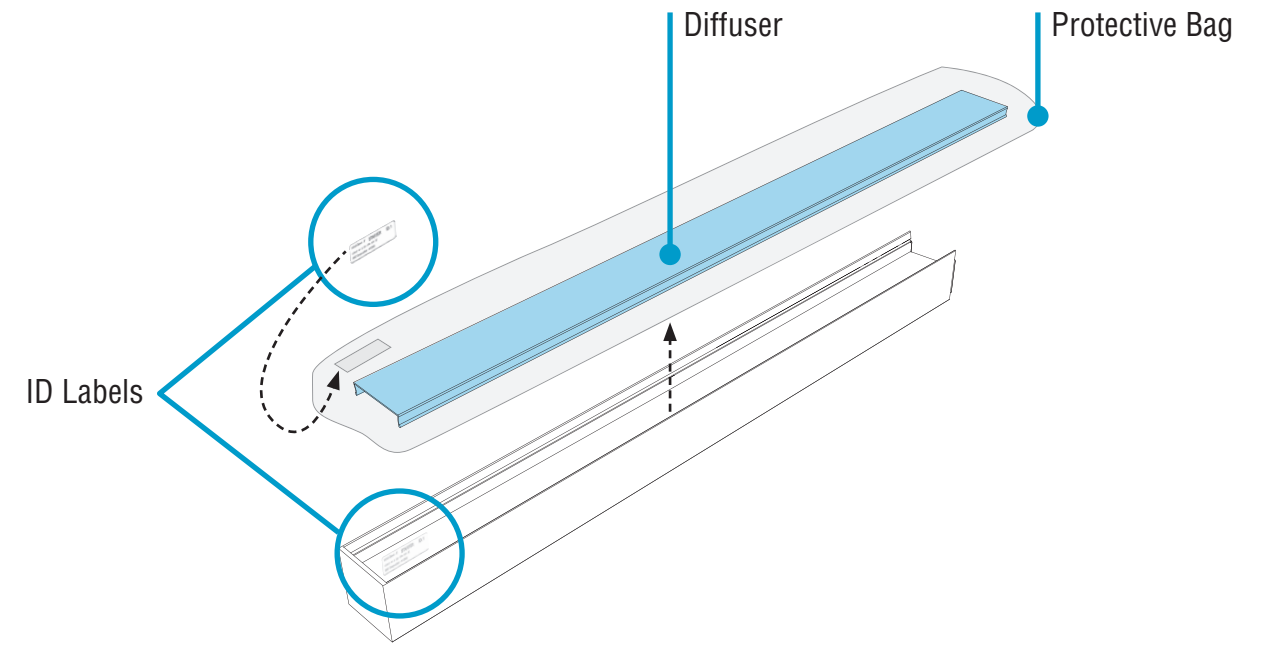


**Yoke Bracket**  
Part# 30007

**Washer**  
Part# 94111

**#10-32 x 5/8" Screw**  
Part# 94144  
Securing Luminaire Joints  
p. 8, Step 6

### B. Remove Diffusers Top-Down View

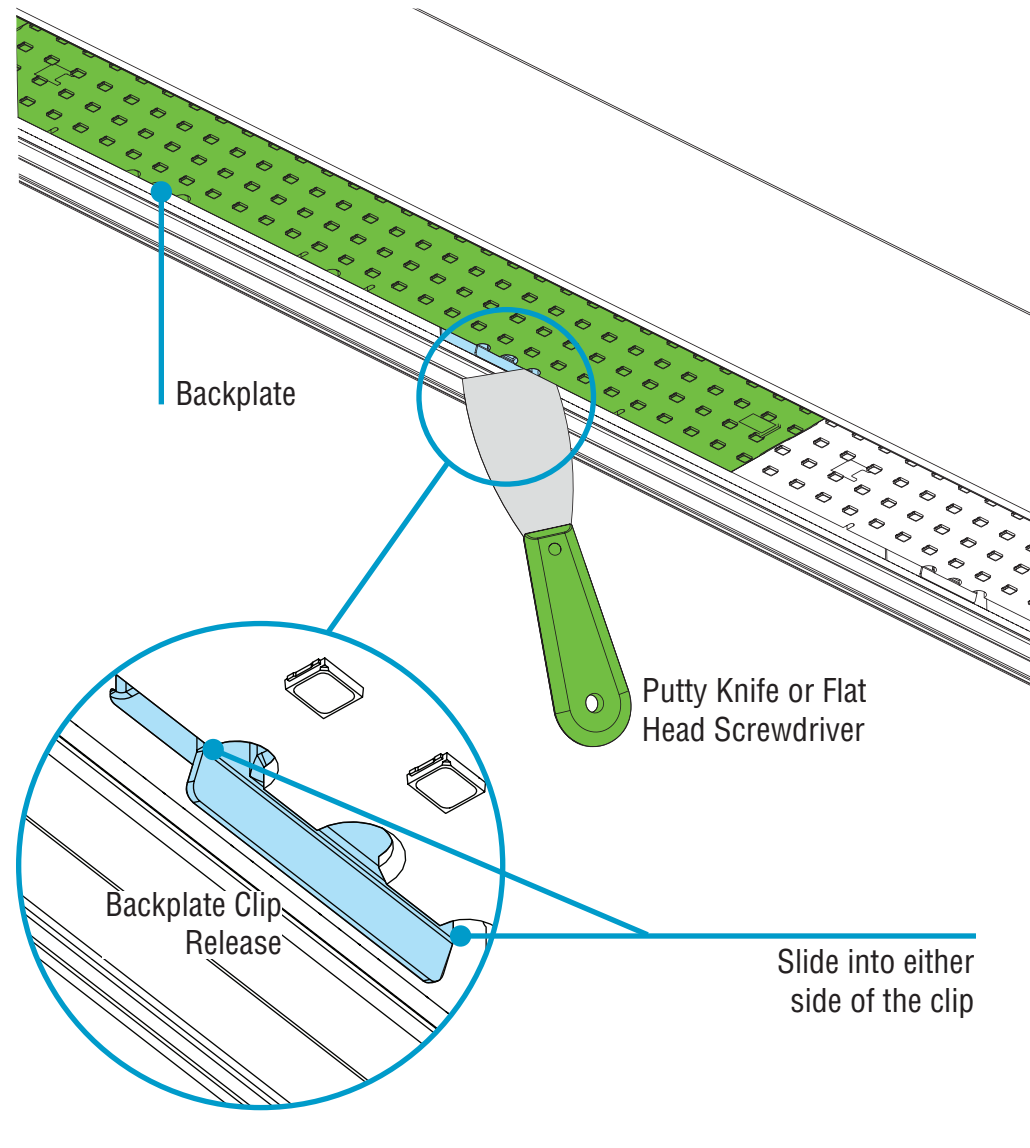


- Carefully remove all diffusers, keeping them inside their protective bags.
- Set aside all diffusers to prevent from getting dirty or damaged.
- Ensure diffusers can be clearly identified back to their corresponding luminaire.

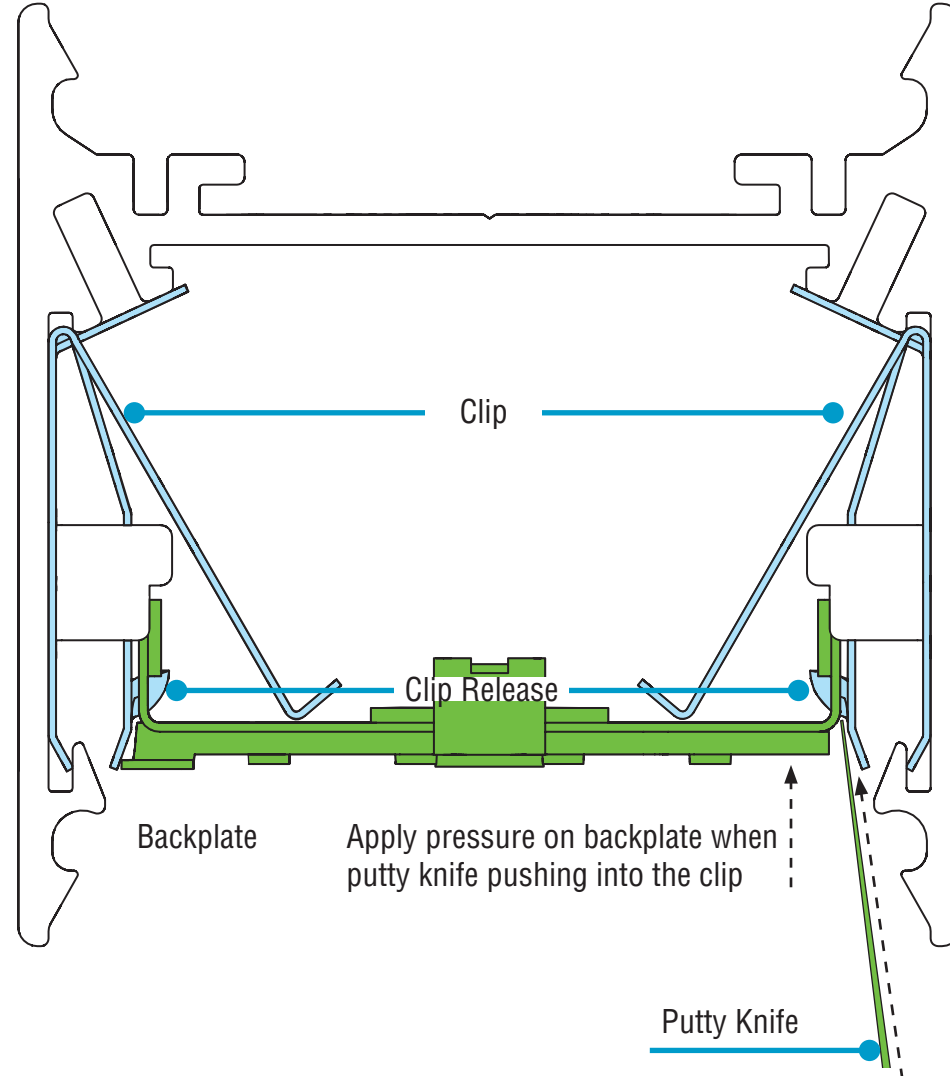
# HPX Surface Mount Installation Instructions

## Step 3 - Opening Luminaires

### Remove Downlight Backplates Bottom View

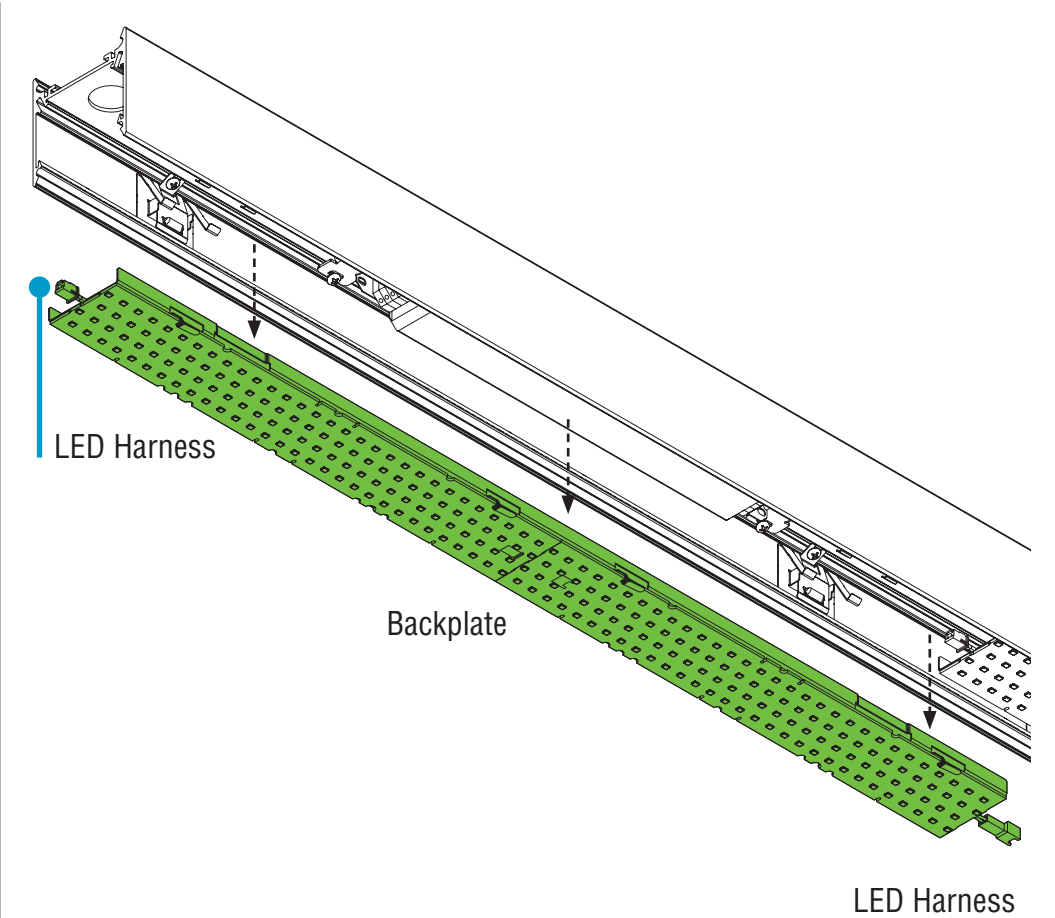


- Locate the backplate clip and use Putty Knife or Flat Head Screwdriver slide into either side of the clip
- Apply mild pressure to backplate when Putty Knife or Flat Head Screwdriver pushing into backplate clip release



- Hear a click sound to release the backplate
- Four backplate clip per LED backplate. Release all four before remove backplate

### Remove Downlight Backplates Bottom View

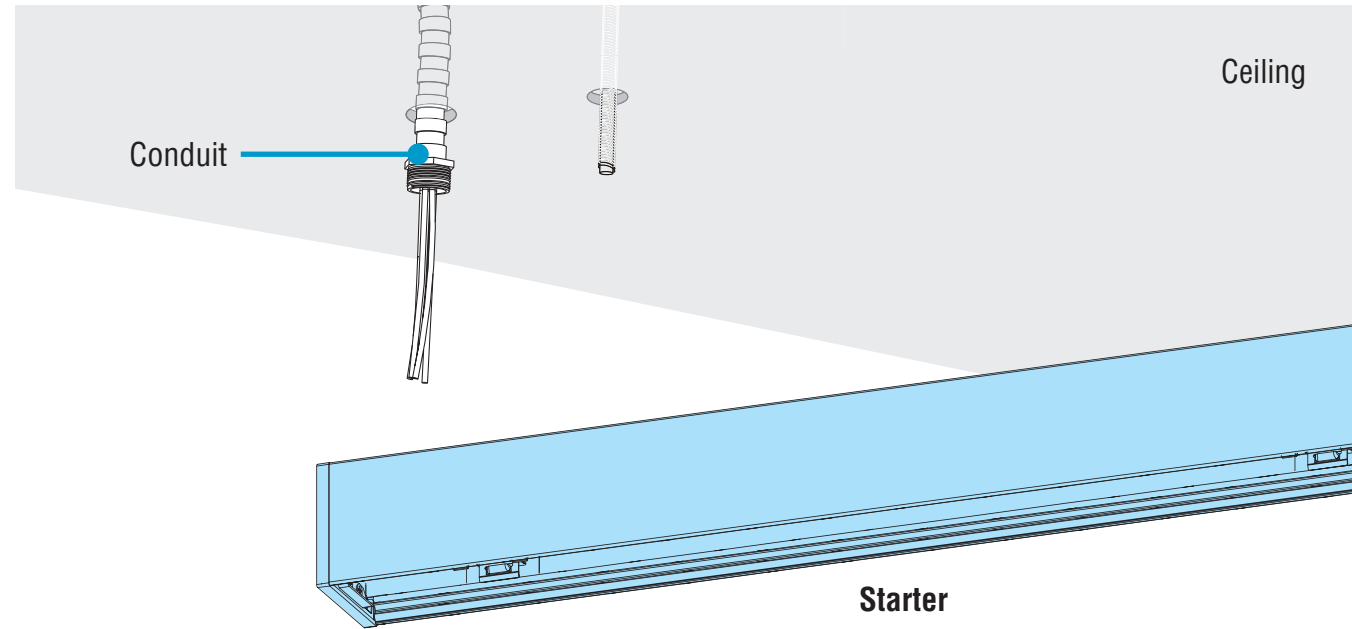


- Set aside backplates to prevent from getting dirty or damaged.
- Ensure backplates can be clearly identified back to their corresponding luminaire.

# HPX Surface Mount Installation Instructions

## Step 4 - Mounting Starter to Structure

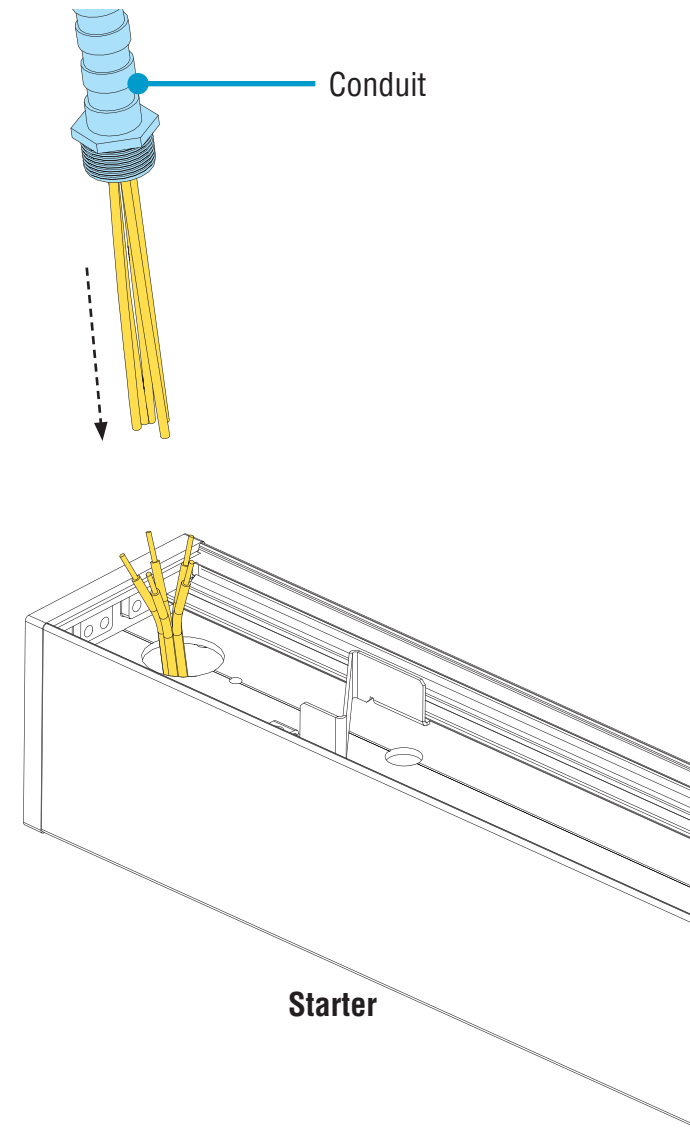
**A. Make Electrical Connections** Bottom-Up View



- While properly supporting luminaire, maneuver luminaire near wall/ceiling.
- Make electrical connections at **TOP** of luminaire.

 Flex Conduit  
(by others)

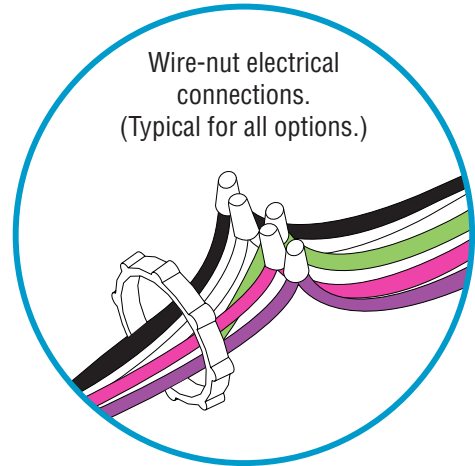
Top-Down View



- Wire-nut electrical connections. See wiring legend above.

**WIRING LEGEND**

<b>Black</b>	Hot	Line Voltage
<b>White</b>	Neutral	Line Voltage
<b>Green</b>	Ground	
<b>Pink</b>	Dimming	0-10V DC
<b>Purple</b>	Dimming	0-10V DC



**CONTINUED**

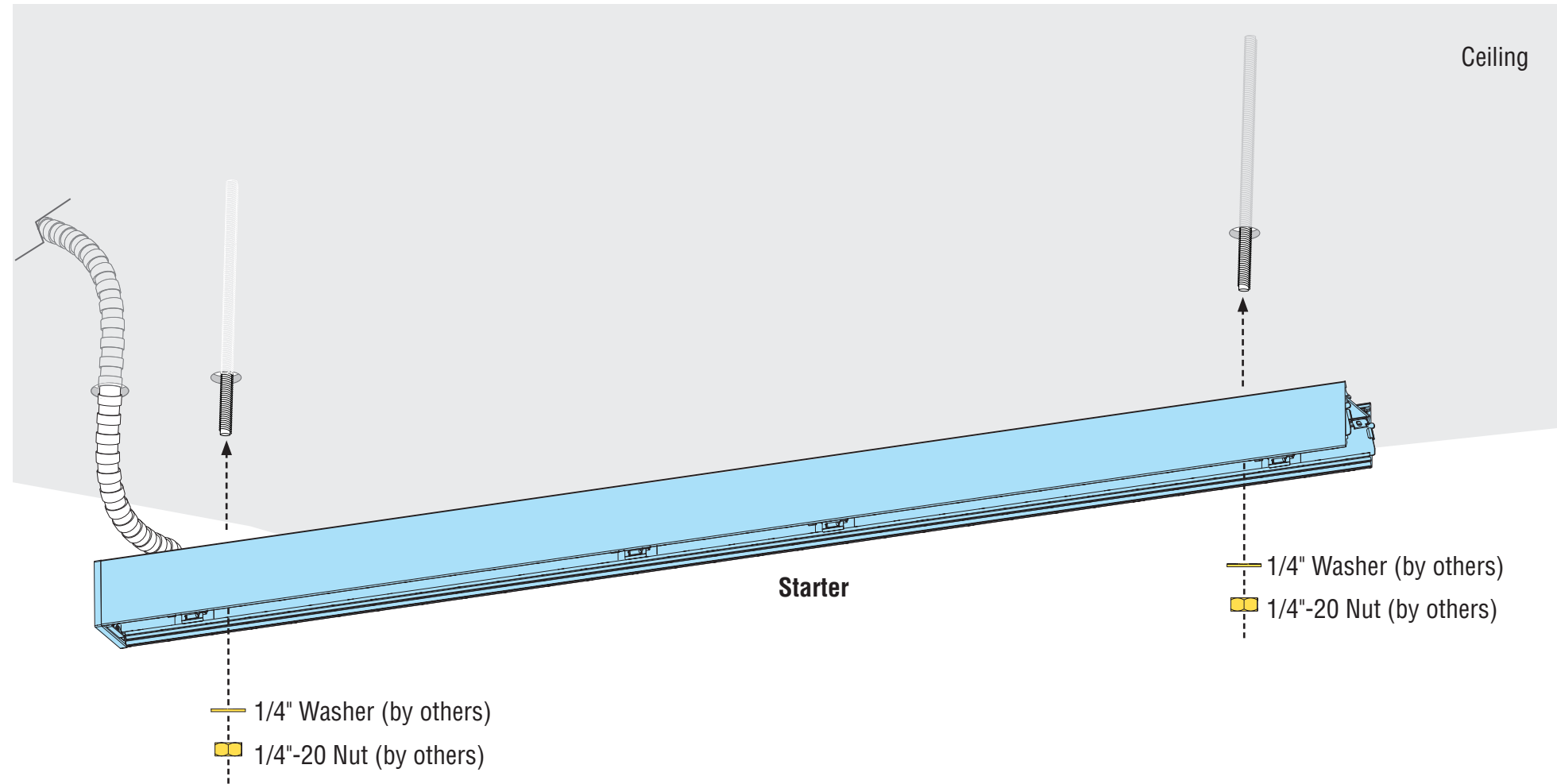


0-10V  
Dimming

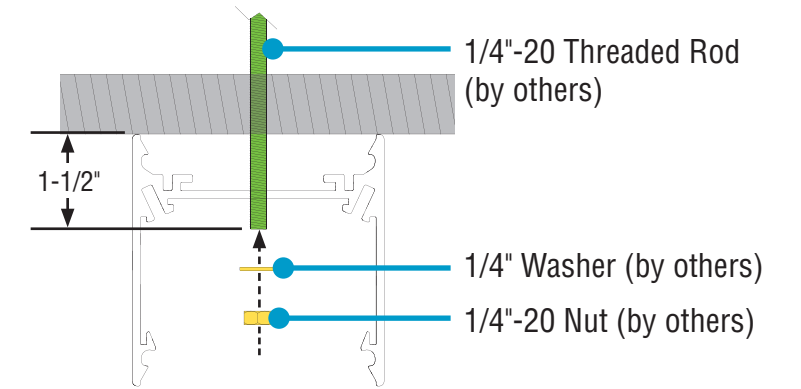
# HPX Surface Mount Installation Instructions

## Step 4 - Mounting Starter to Structure

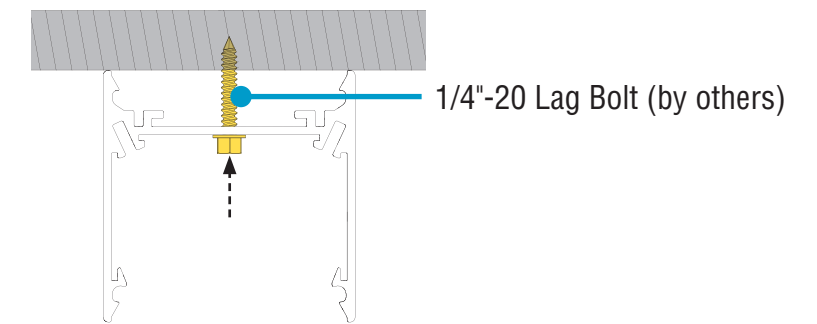
### B. Mount Starter to Structure



### Option 1 (Shown) - Mount to Threaded Rod



### Option 2 - Mount to Structure

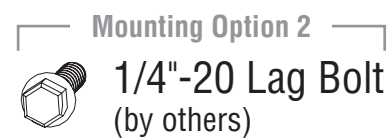
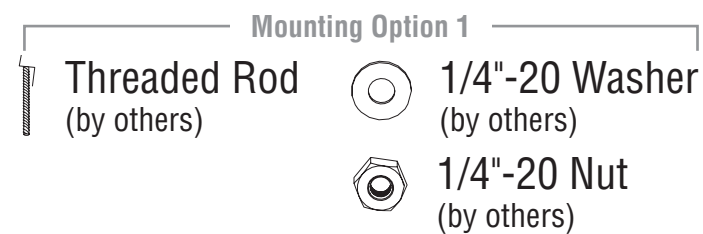


#### Option 1 (Shown) - Mount to Threaded Rod

- Align mounting holes with hanging hardware.
- Install 1/4"-20 nut and 1/4"-20 washer onto 1/4"-20 threaded rod.
- **CRITICAL:** If installing a joiner luminaire in the next step, leave nut loose.
- If there is no joiner/ender, then tighten nuts fully. **PROCEED TO STEP 7.**

#### Option 2 - Mount to Structure

- Place luminaire onto wall/ceiling and mount to structure support with hardware appropriate for the structure type.
- **CRITICAL:** If installing a joiner luminaire in the next step, leave loose.
- If there is no joiner/ender, then tighten nuts fully. **PROCEED TO STEP 7.**



# HPX Surface Mount Installation Instructions

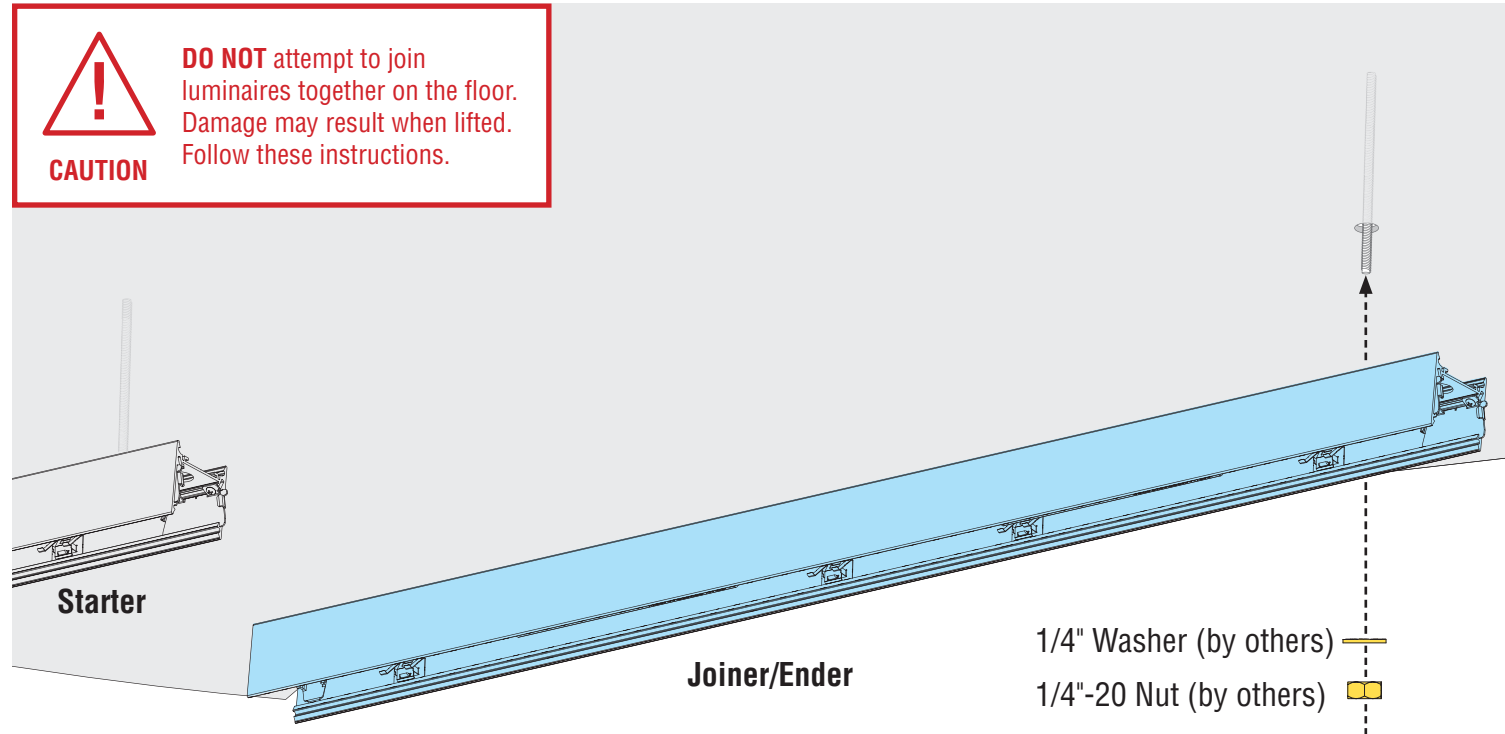
## Step 5 - Joining Luminaires

### A. Mount Joiner/Ender to Structure



**CAUTION**

**DO NOT** attempt to join luminaires together on the floor. Damage may result when lifted. Follow these instructions.

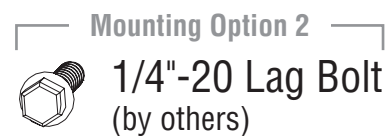
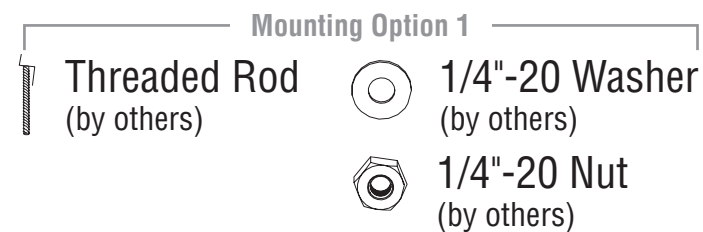


#### Option 1 (Shown) - Mount to Threaded Rod

- Align mounting holes with hanging hardware.
- Install 1/4"-20 nut and 1/4"-20 washer onto 1/4"-20 threaded rod.
- **CRITICAL:** If installing a joiner luminaire, leave nut loose, allowing luminaire to hang at an angle.
- If there is no joiner/ender, then tighten nuts fully.

#### Option 2 - Mount to Structure

- Mount to structure support with hardware appropriate for the structure type.
- **CRITICAL:** If installing a joiner luminaire, leave nut loose, allowing luminaire to hang at an angle.
- If there is no joiner/ender, then tighten nuts fully.

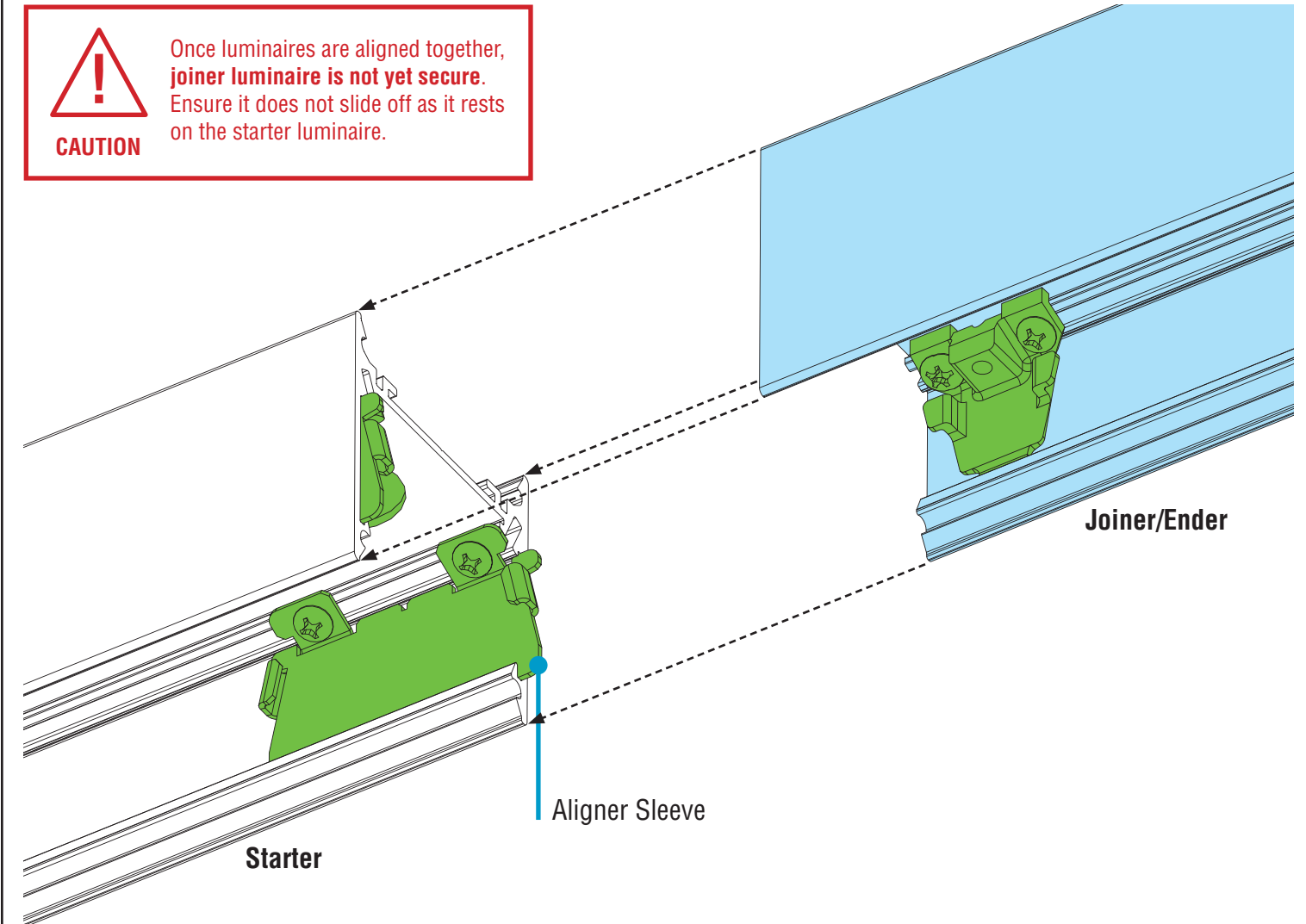


### B. Join Luminaires



**CAUTION**

Once luminaires are aligned together, **joiner luminaire is not yet secure.** Ensure it does not slide off as it rests on the starter luminaire.



- Align joiner/ender with aligner sleeves on starter and slide together. Be careful not to damage any wiring.
- If necessary, **lift** both luminaires, then slide them together.

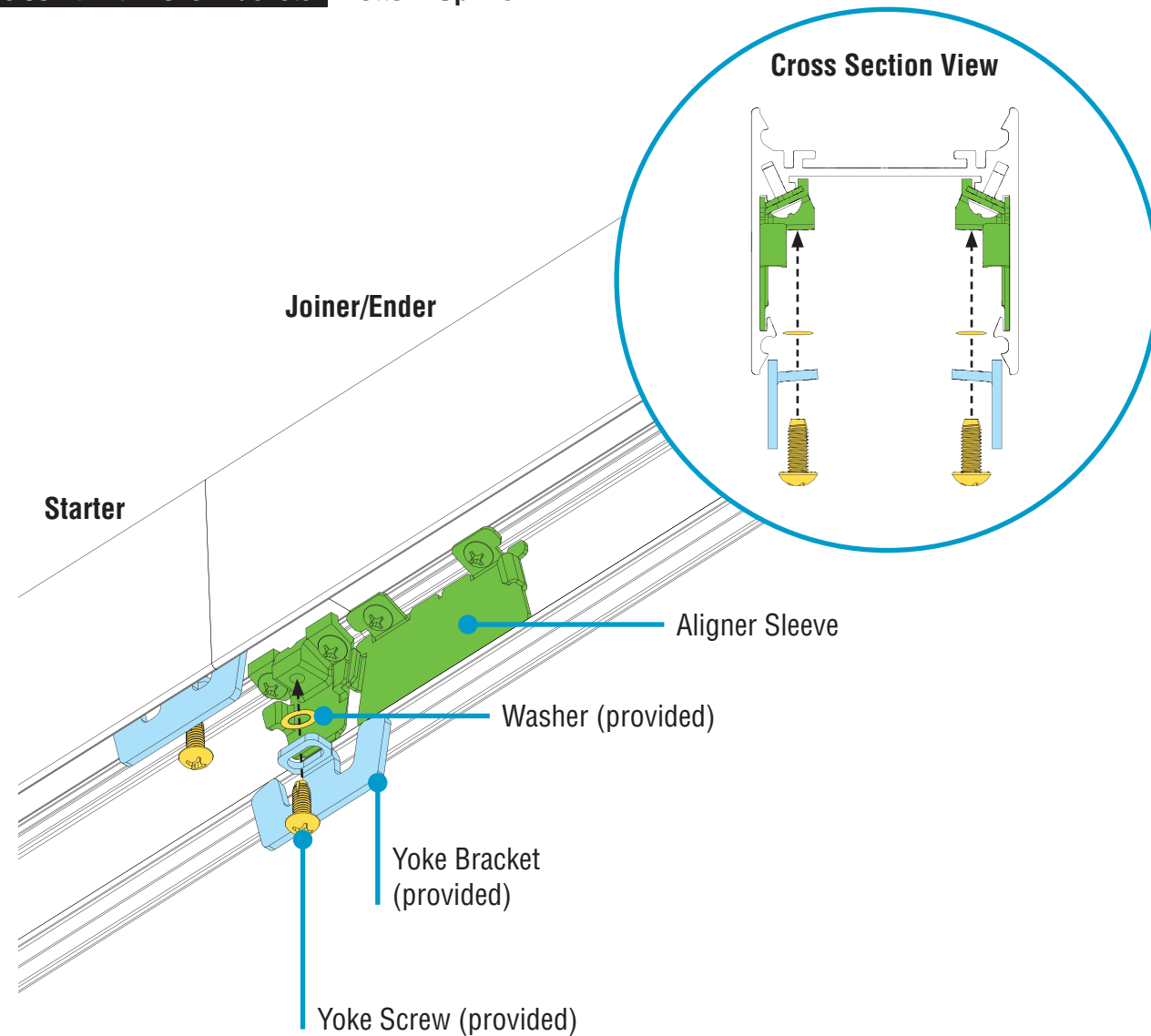


HPX  
Joints

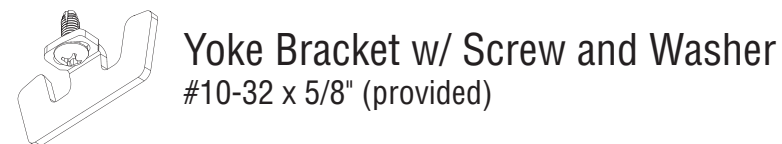
# HPX Surface Mount Installation Instructions

## Step 6 - Securing Luminaire Joints

### A. Secure Joint with Yoke Brackets Bottom-Up View

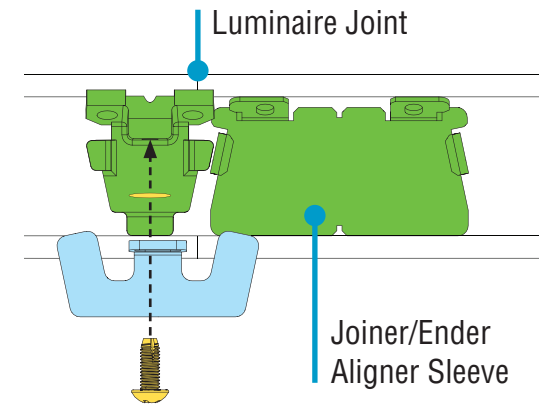


- Before installing yoke brackets, ensure the joining ends of luminaires meet flush and square.
- **CRITICAL:** Ensure yoke brackets properly engage with aligner sleeves.
- Secure joint by threading (but not yet tightening) yoke screws through yoke brackets and washers and into the aligner sleeves.
- Tighten yoke screws<sup>1</sup> until joint seam of luminaires is closed.

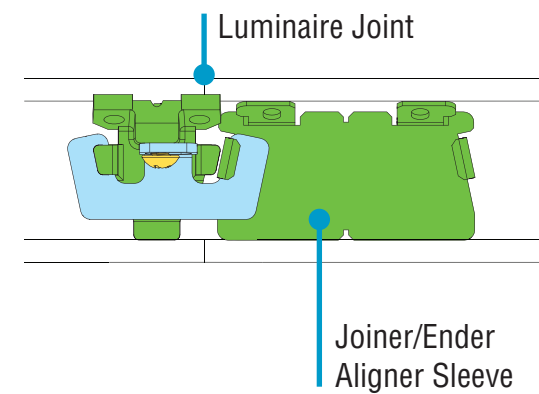


<sup>1</sup> Screwdriver with 6" bit required.

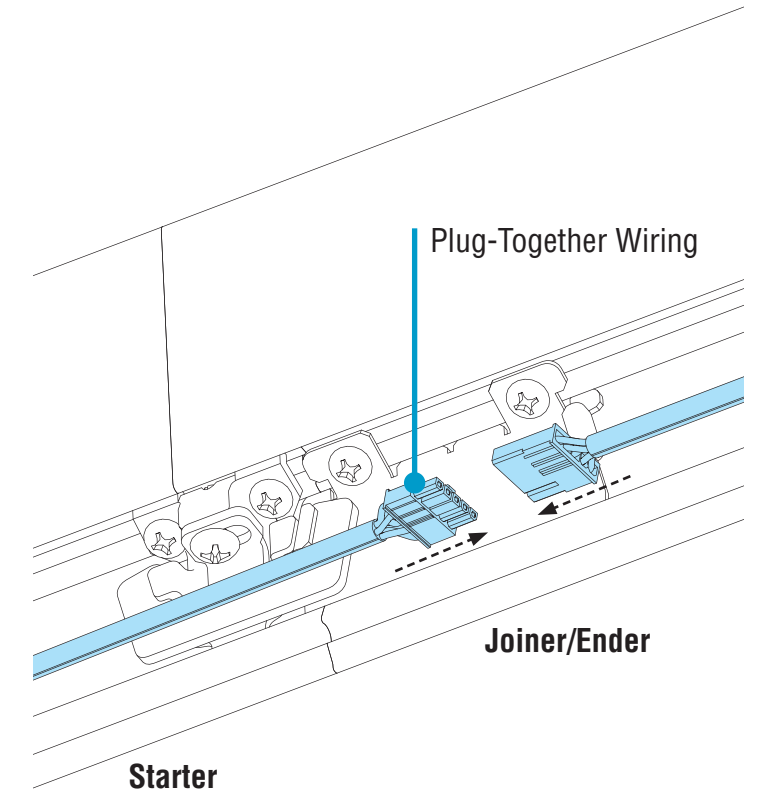
### IN ALIGNMENT



### CORRECTLY INSTALLED



### B. Make Electrical Connections Bottom-Up View



- Connect plug-together wiring.



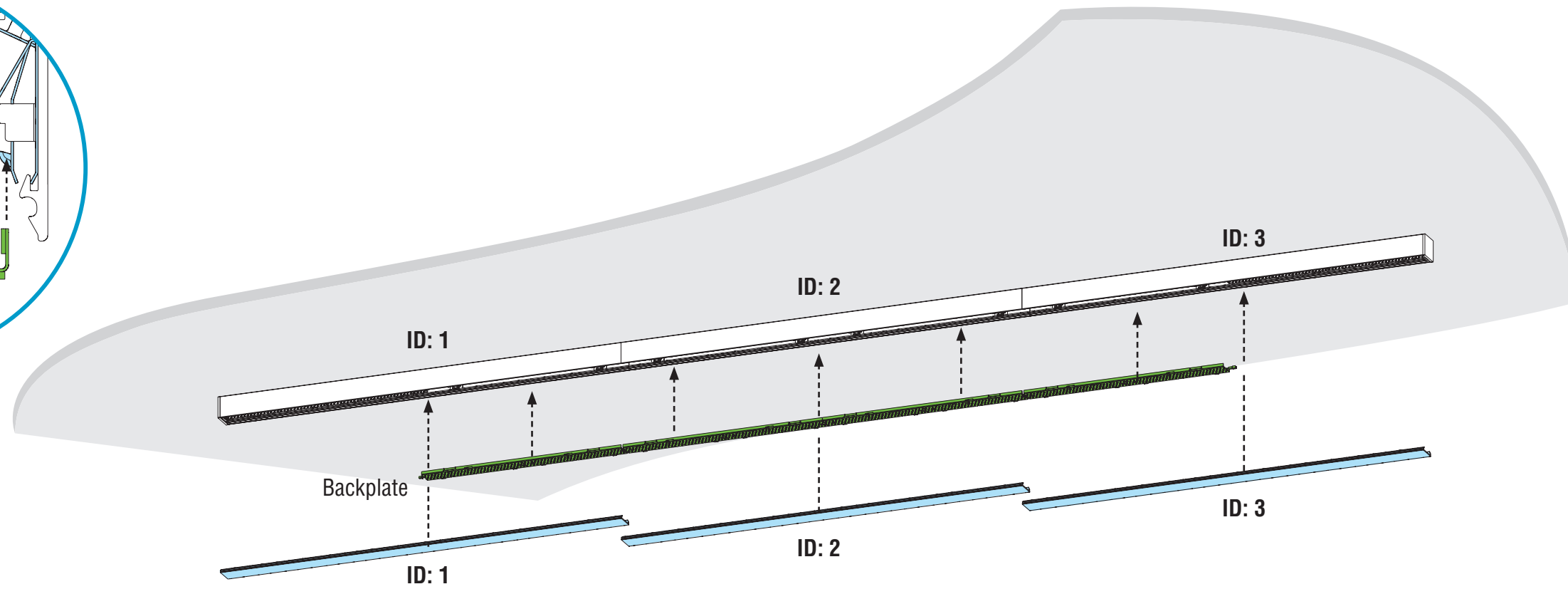
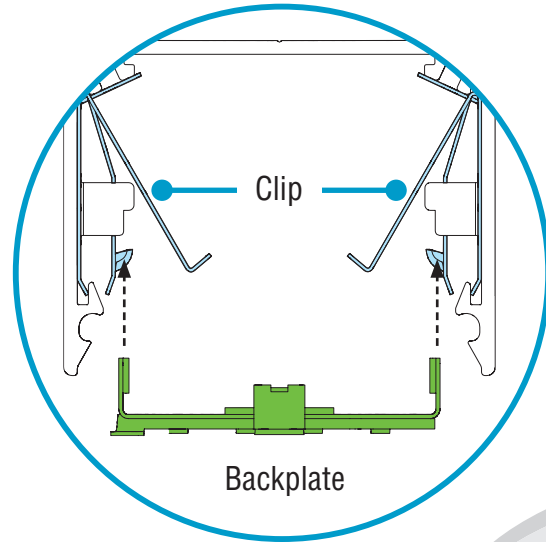
Simple  
Plug-Together  
Wiring



# HPX Surface Mount Installation Instructions

## Step 7 - Closing Luminaires

**Final Step - Replace Backplates & Diffusers**



- **NOTE:** If your installation includes a battery backup, please see addendum (98333) that should be included with your kitting package.
- Reconnect LED harnesses.
- Reinstall backplates by inserting into luminaire body. Hear 4 clicks per LED backplate. Make sure ALL LED backplate secure before install diffusers.
- Remove diffusers from protective plastic bags.
- **CAUTION:** Wear gloves to keep diffuser surface clean.
- **CRITICAL:** Be sure to install correct diffuser to its corresponding luminaire ID.
- Install diffuser into luminaire body, ensuring it snaps into place.
- Turn power on to luminaires.