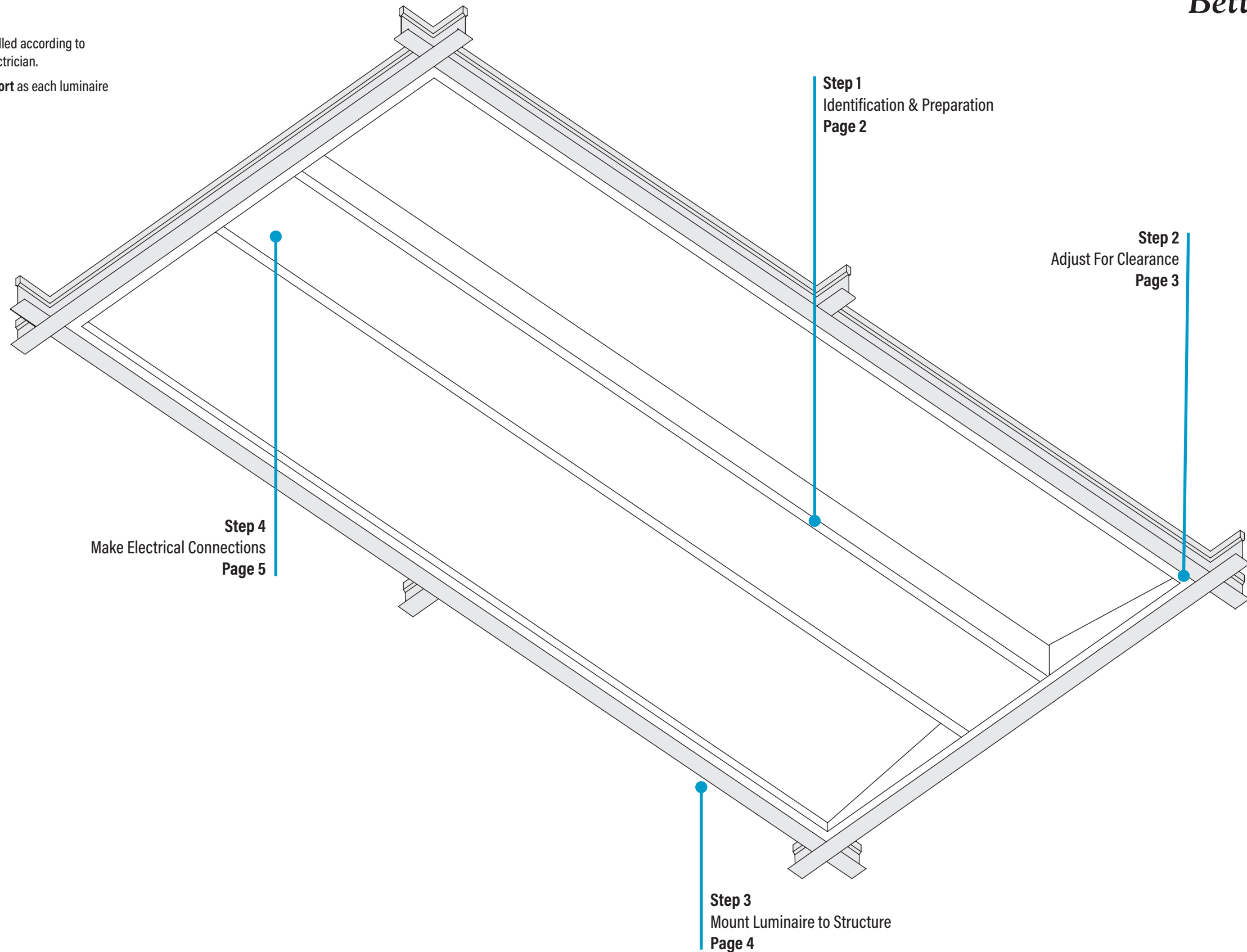


HPR-SL T-Bar Installation Instructions

Overview

NOTES

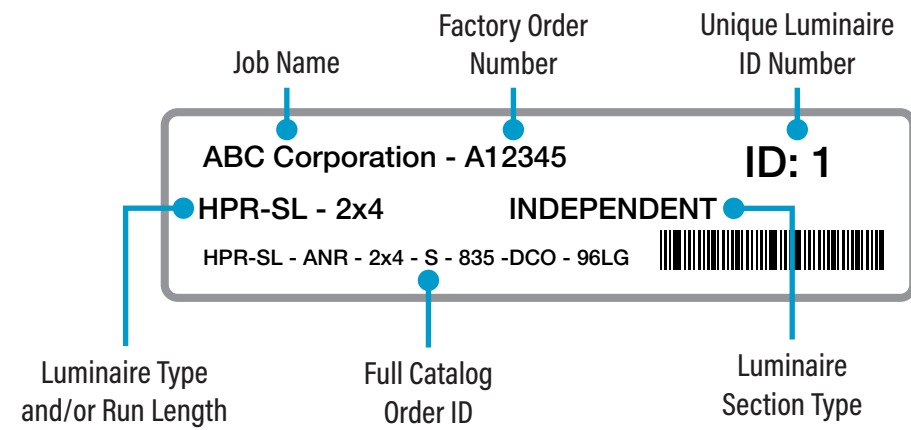
- All power connections should be installed according to local/national codes by a Certified Electrician.
- This installation requires **proper support** as each luminaire is being installed.



HPR-SL T-Bar Installation Instructions

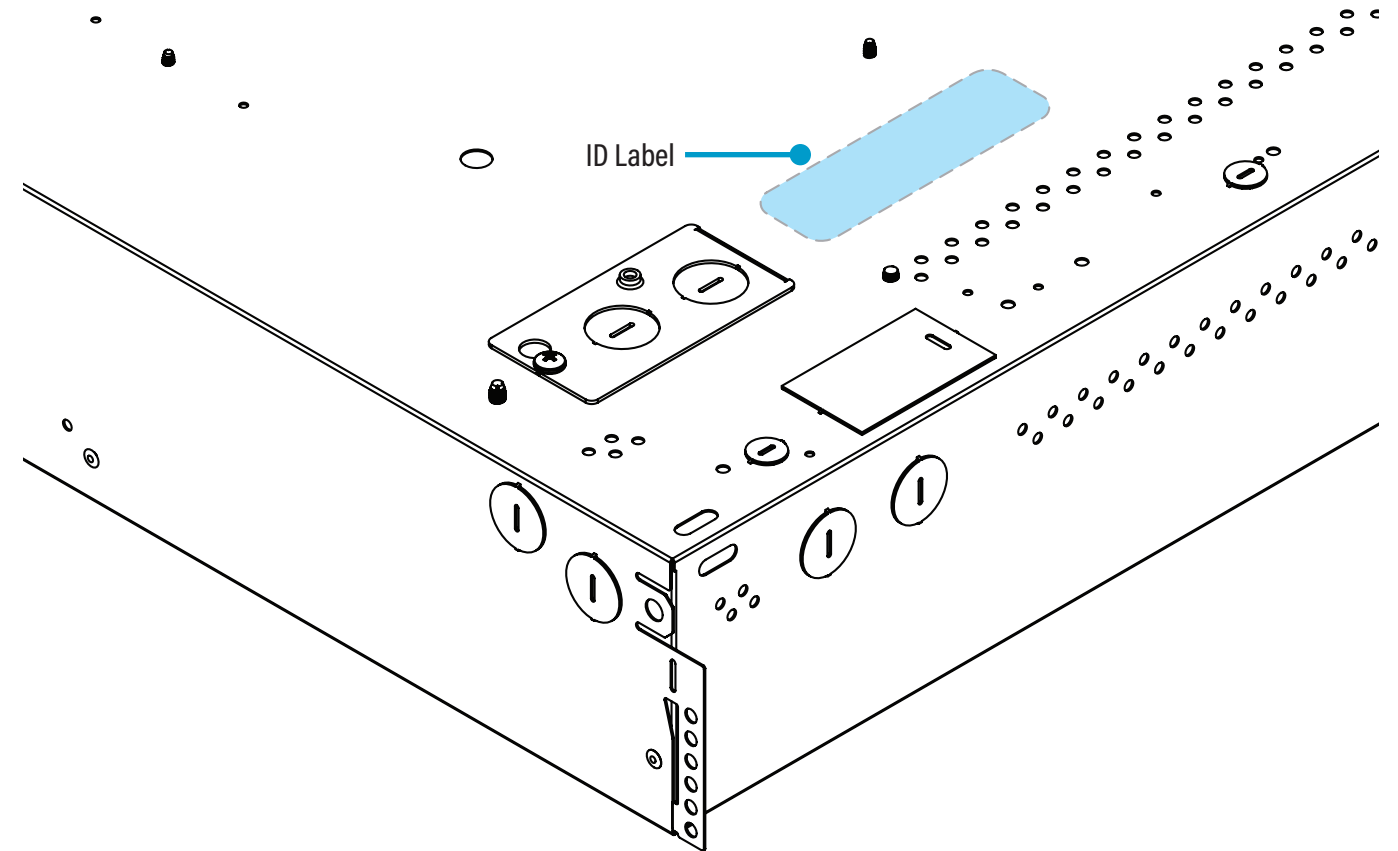
Step 1 - Identification & Preparation

A. Identify Luminaire Back View



- Identify all luminaires by their ID label that can be found on box and inside luminaire.
- **NOTE:** Exact location of labels in these areas may vary.
- Remove luminaire from box.
- Refer to Record Drawings that can be found in hardware kit.

B. Locate ID Label Back View

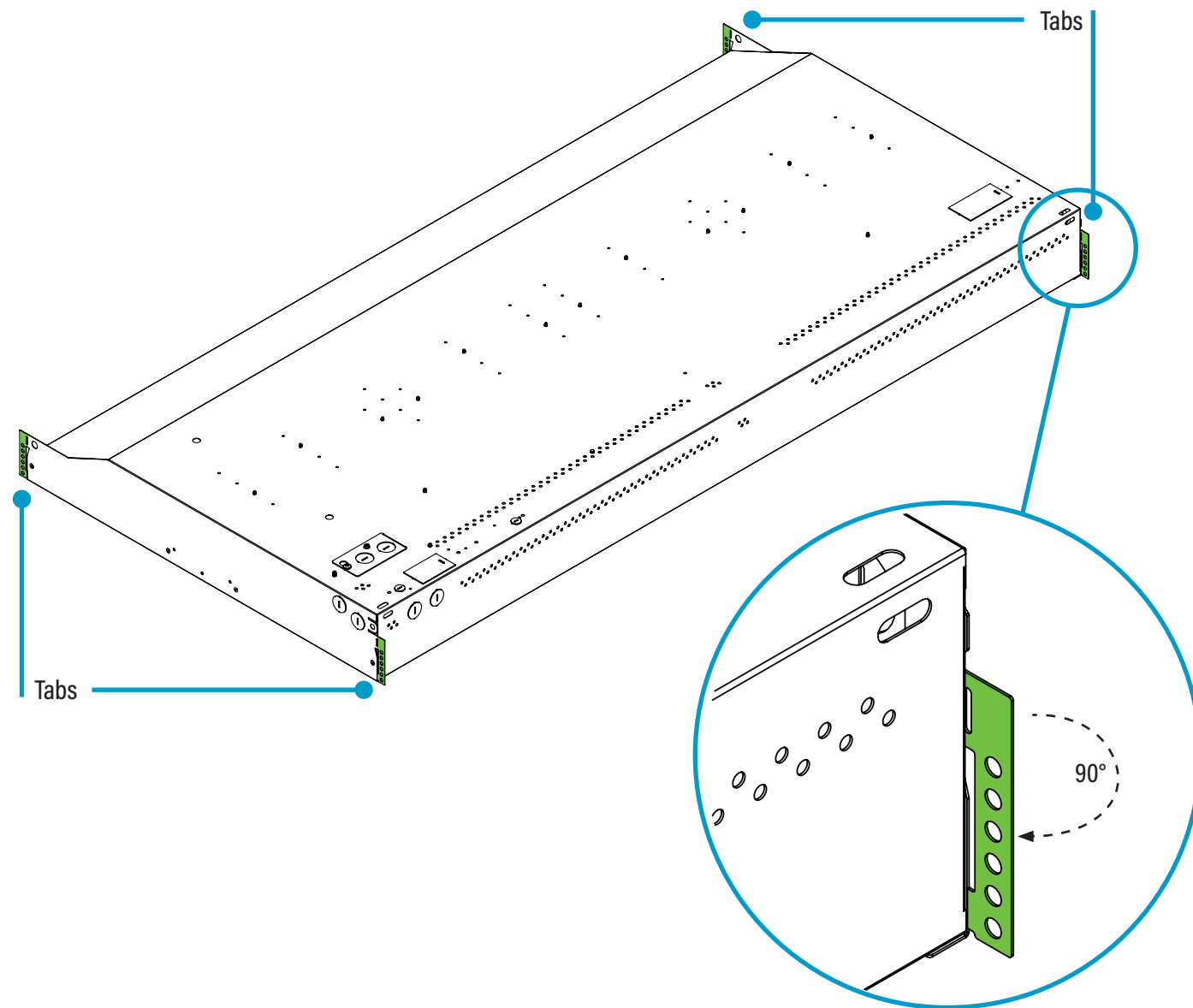


- ID label secured to luminaire lens

HPR-SL T-Bar Installation Instructions

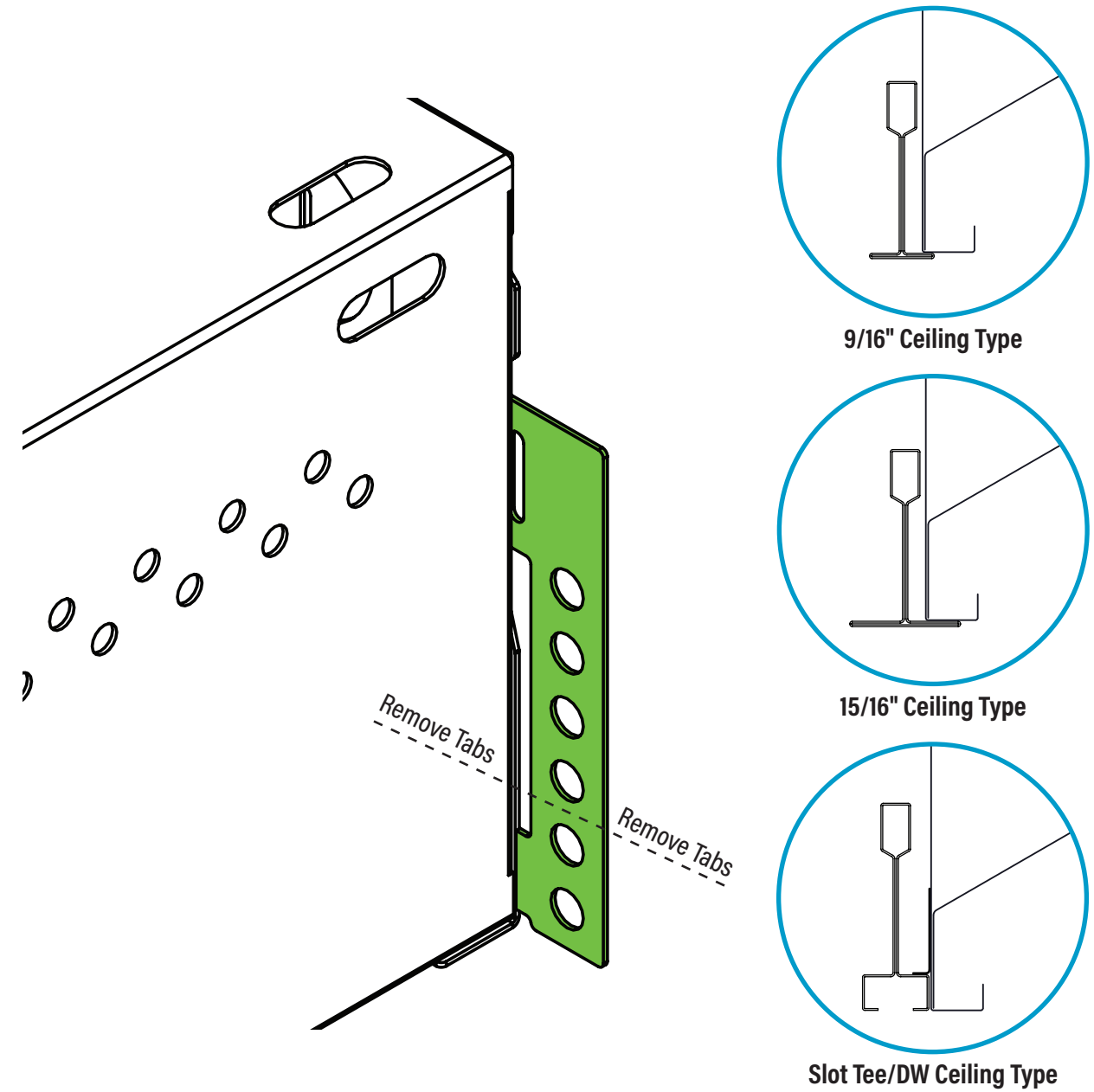
Step 2 - Adjust for Clearance

A. Bend Corner Tabs Top-Down View



- Prior to installation on T-Bar, rotate all corner tabs (4) outward from the body 90°
- Having a minimum of 6" clearance above T-Bar makes installation easier.

B. Remove Tabs Top-Down View

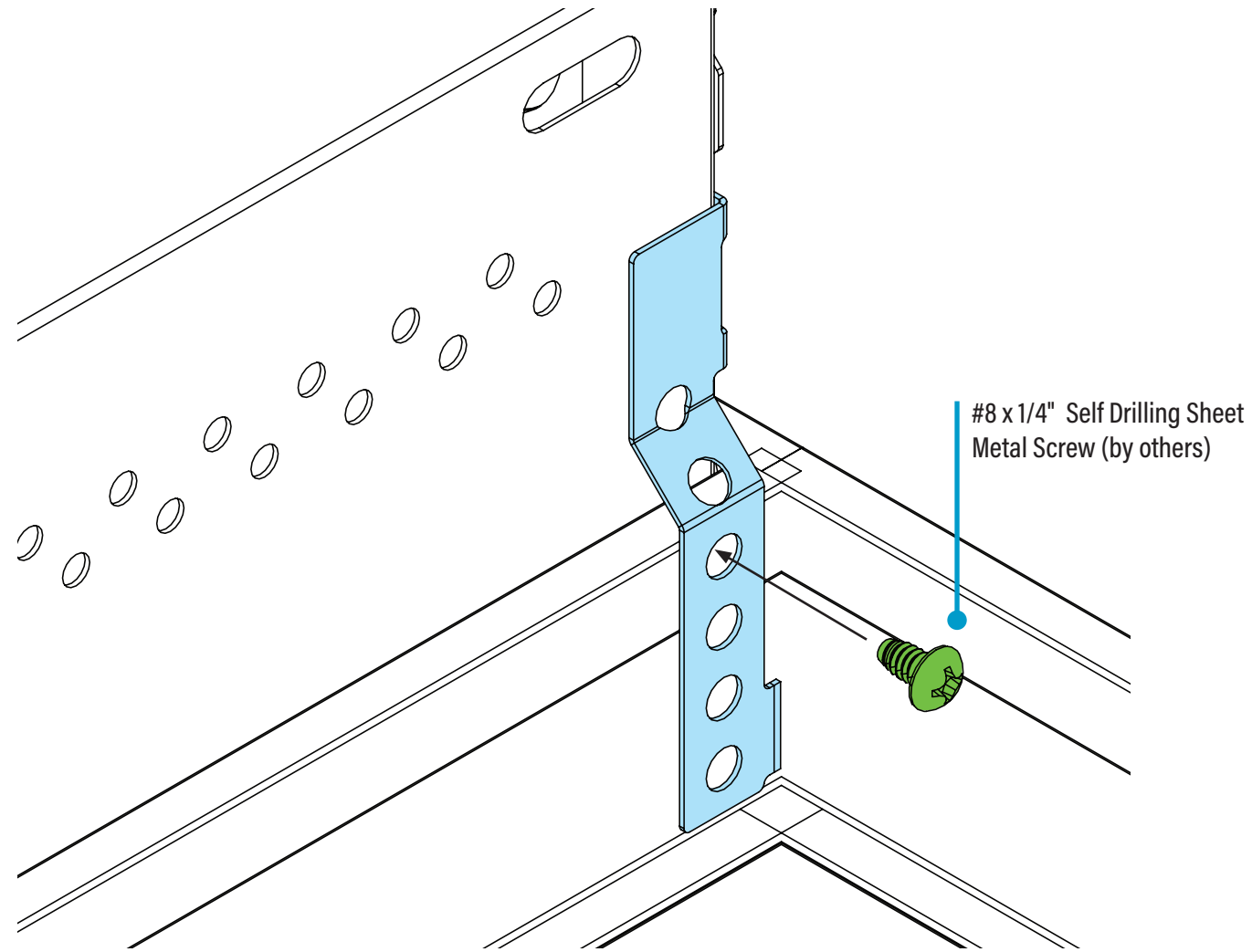


- If needed, remove the tab to adjust clearance to fit proper T-Bar height.

HPR-SL T-Bar Installation Instructions

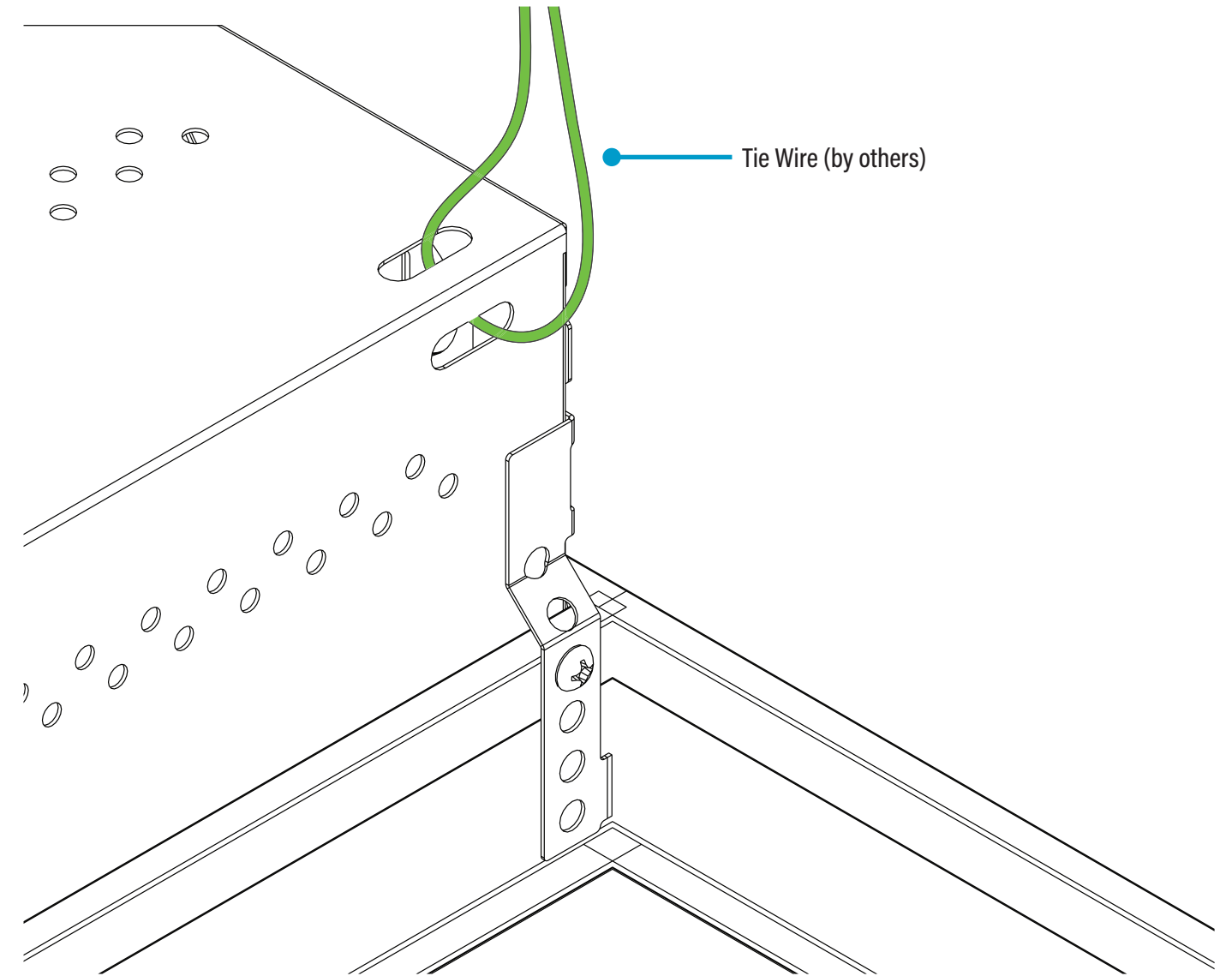
Step 3 - Mount Luminaire to Structure

A. Secure to Structure Top-Down View



- Secure fixture to T-bar with #8 x 1/4" self-drilling sheet metal screw (supplied by others)

B. Tie Wire Top-Down View



- Secure fixture to structure using tie-wire (supplied by others) according to code.

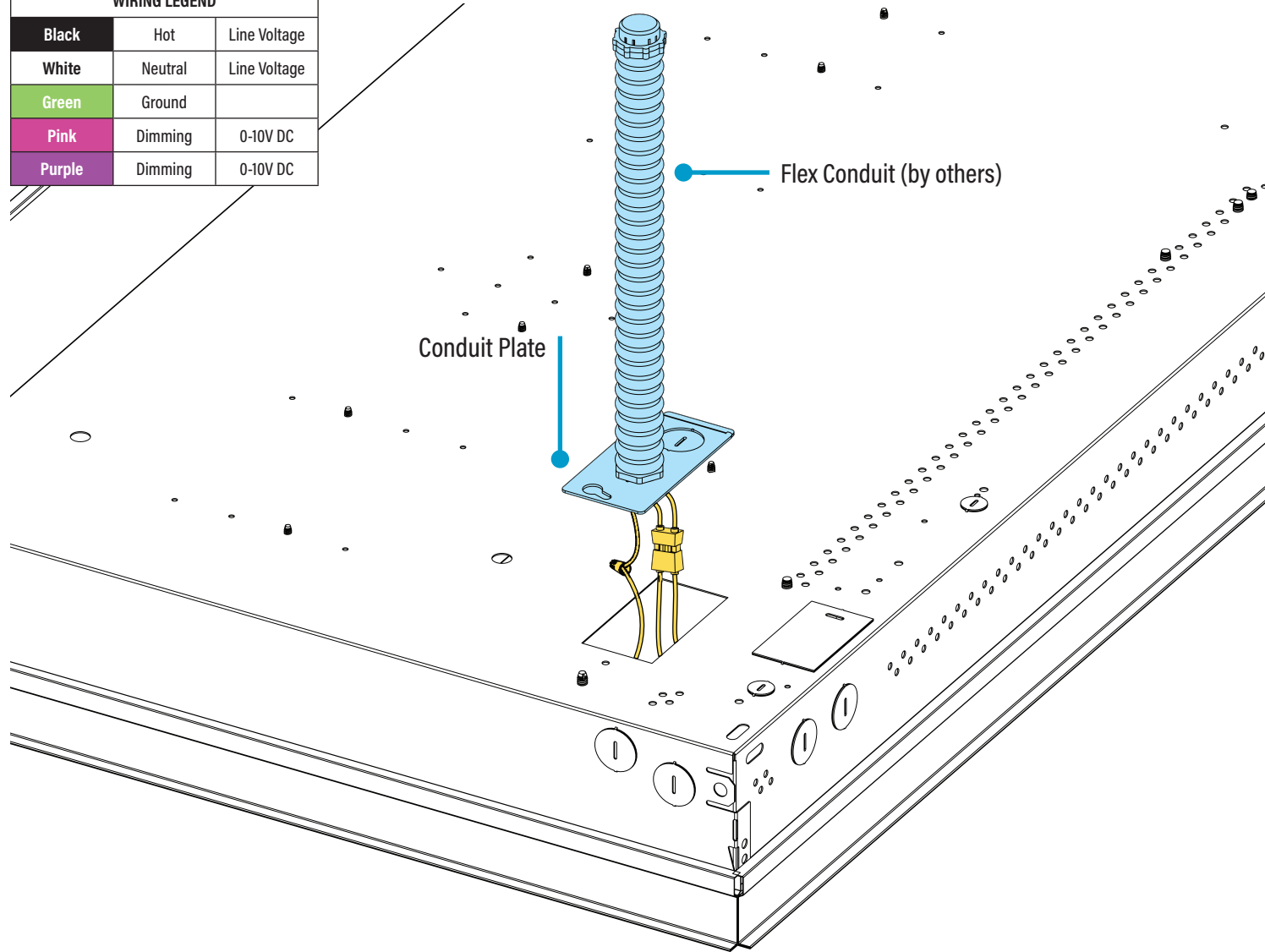


HPR-SL T-Bar Installation Instructions

Step 4 - Make Electrical Connections

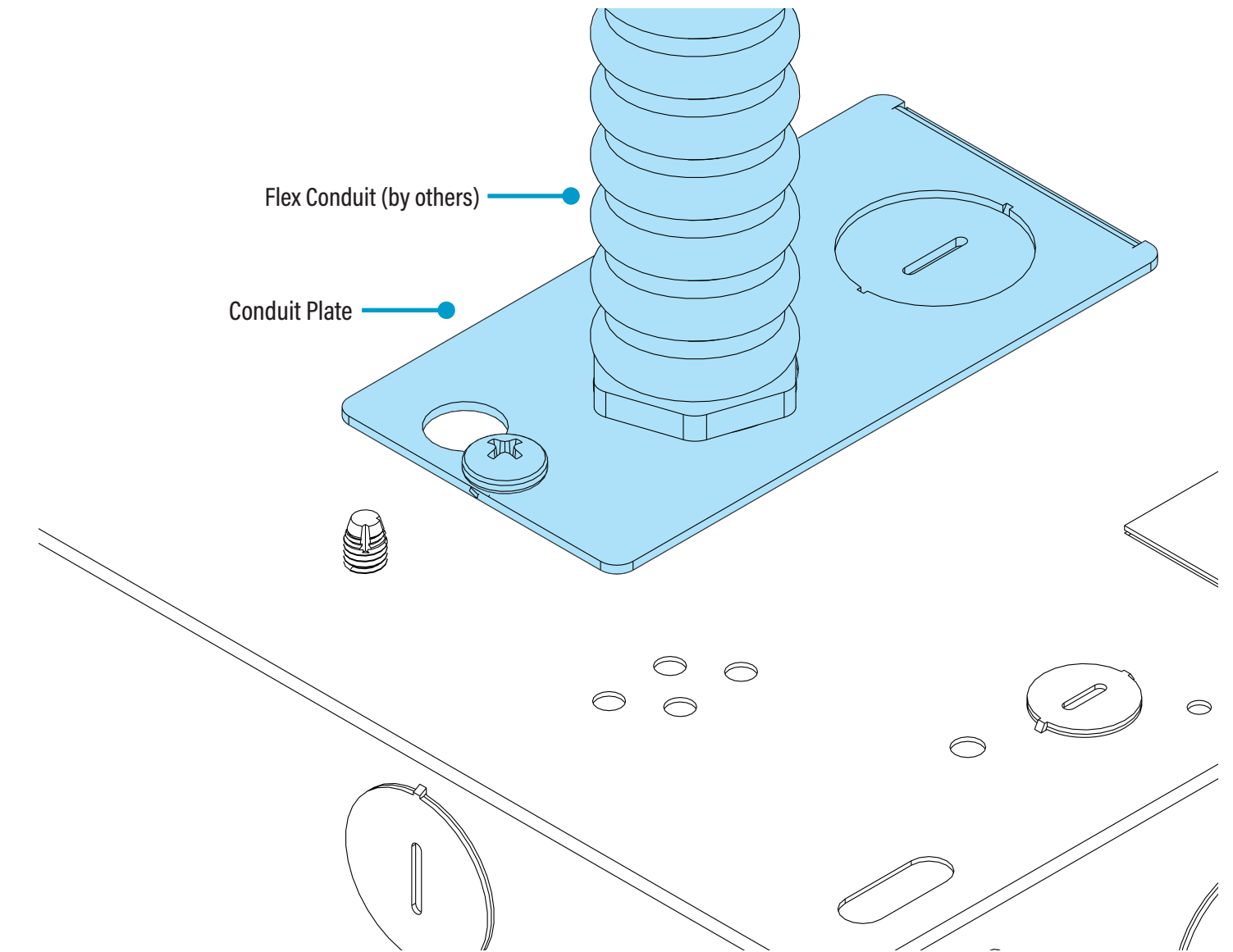
A. Install Power Feed Top-Down View

WIRING LEGEND		
Black	Hot	Line Voltage
White	Neutral	Line Voltage
Green	Ground	
Pink	Dimming	0-10V DC
Purple	Dimming	0-10V DC



- Remove conduit plate from top of luminaire.
- Connect all necessary wiring.
- Secure flex conduit to conduit plate.

B. Reinstall Conduit Plate Top-Down View



- Reinstall conduit plate by tucking wires back into luminaire and fasten conduit plate back into place.

