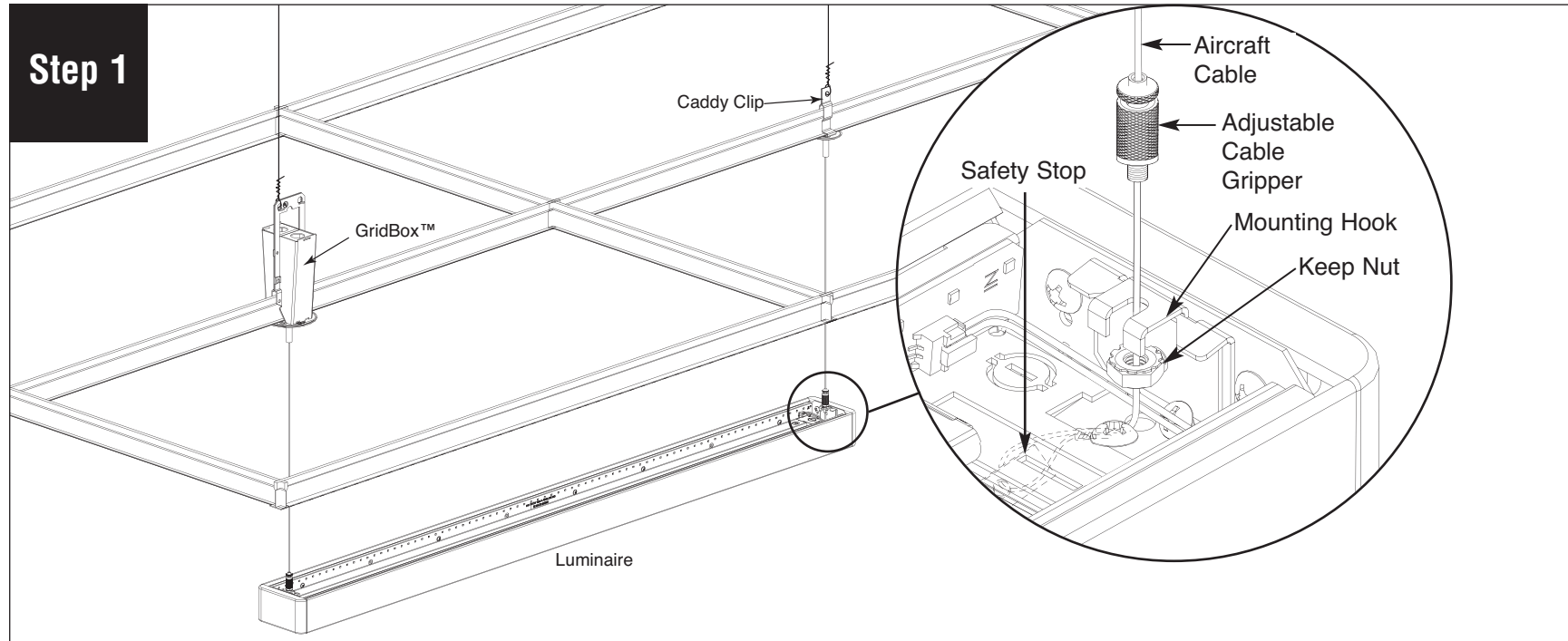
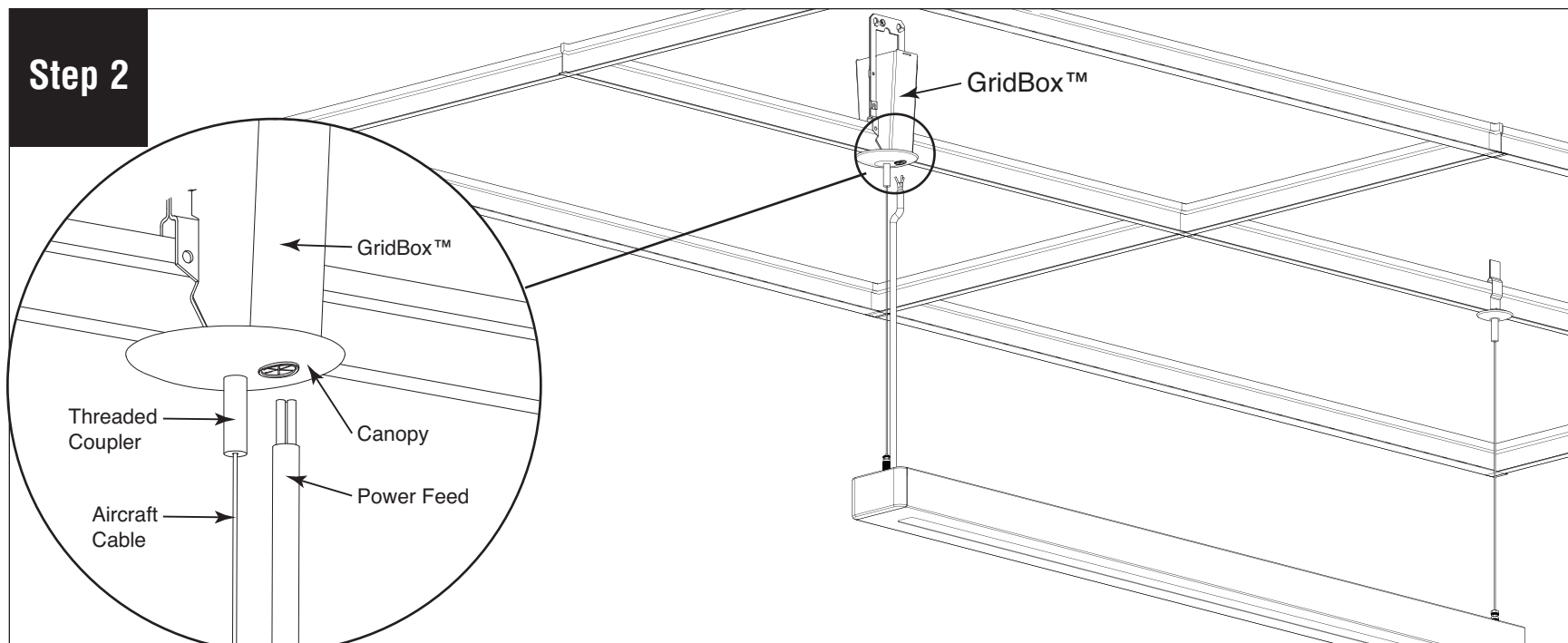


Series 18 LED Fully Adjustable Cable Starter/Independent Installation Instructions

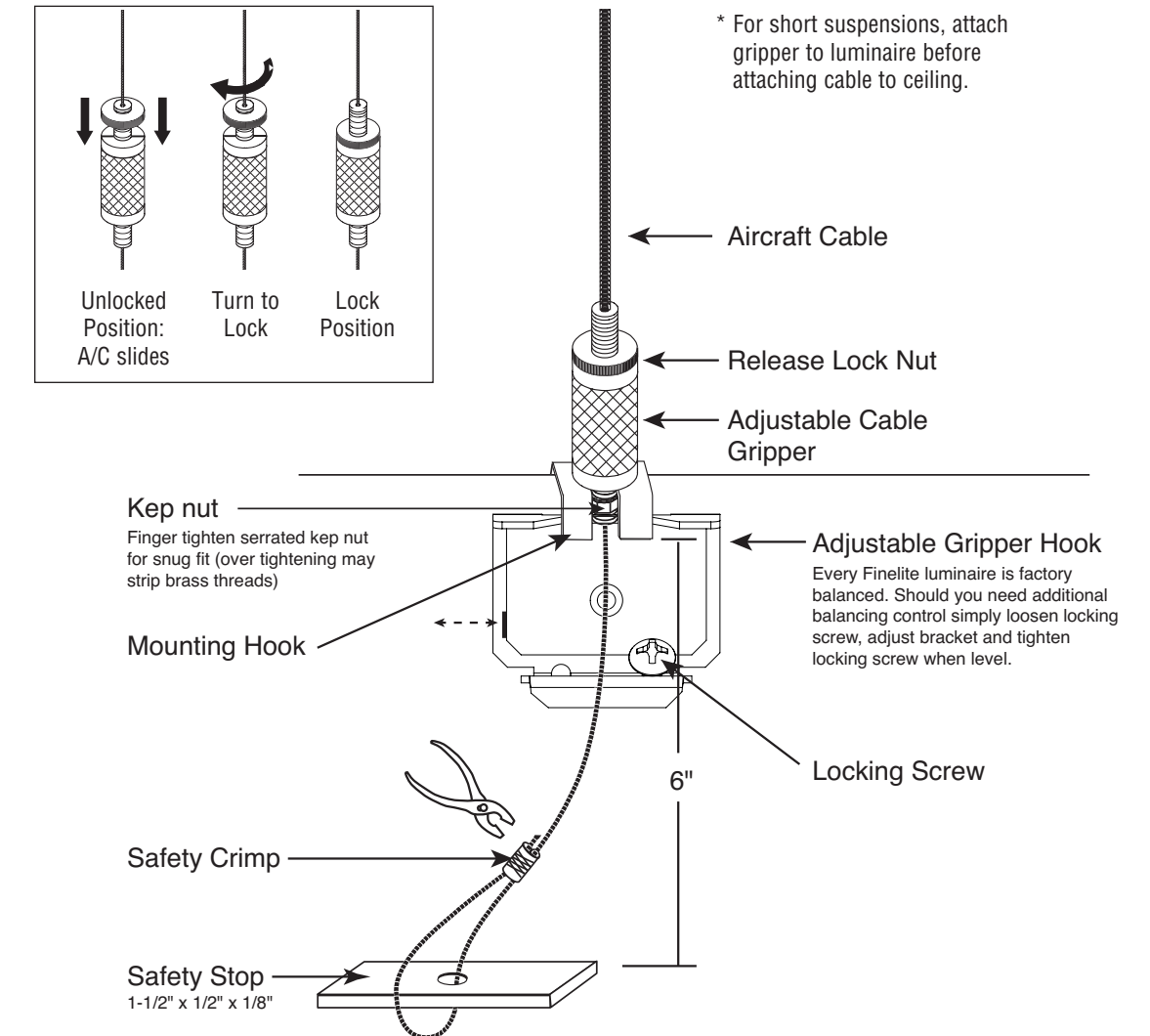


Position the serrated kep nut of adjustable cable gripper under the mounting hooks, rotate up to sit securely on top of hook. Finger tighten adjustable cable gripper into the kep nut until secure. Do not over-tighten. Depress release lock nut to adjust aircraft cable, relock to secure.



Insert power feed through canopy into GridBox (follow GridBox installation instruction for wiring – Form# 980000). Level luminaire.

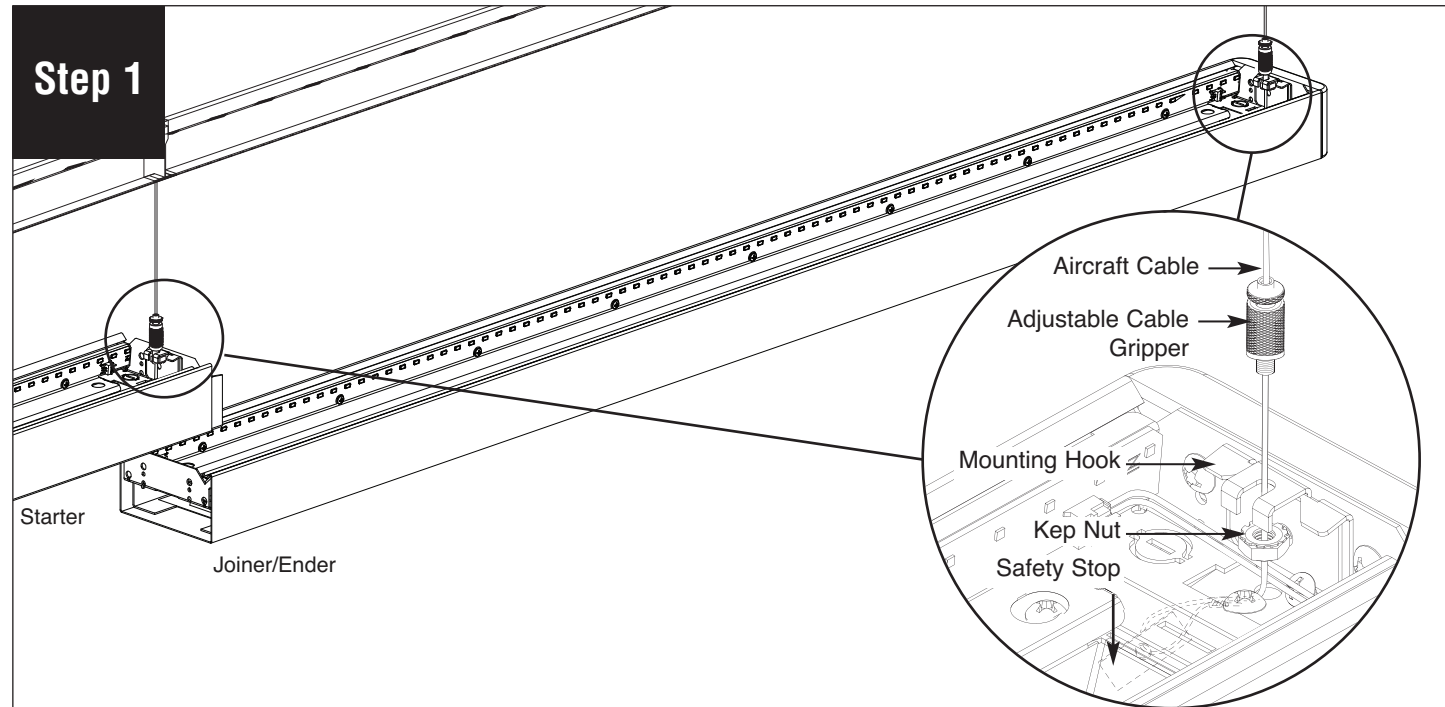
Fully Adjustable Cable Gripper Assembly



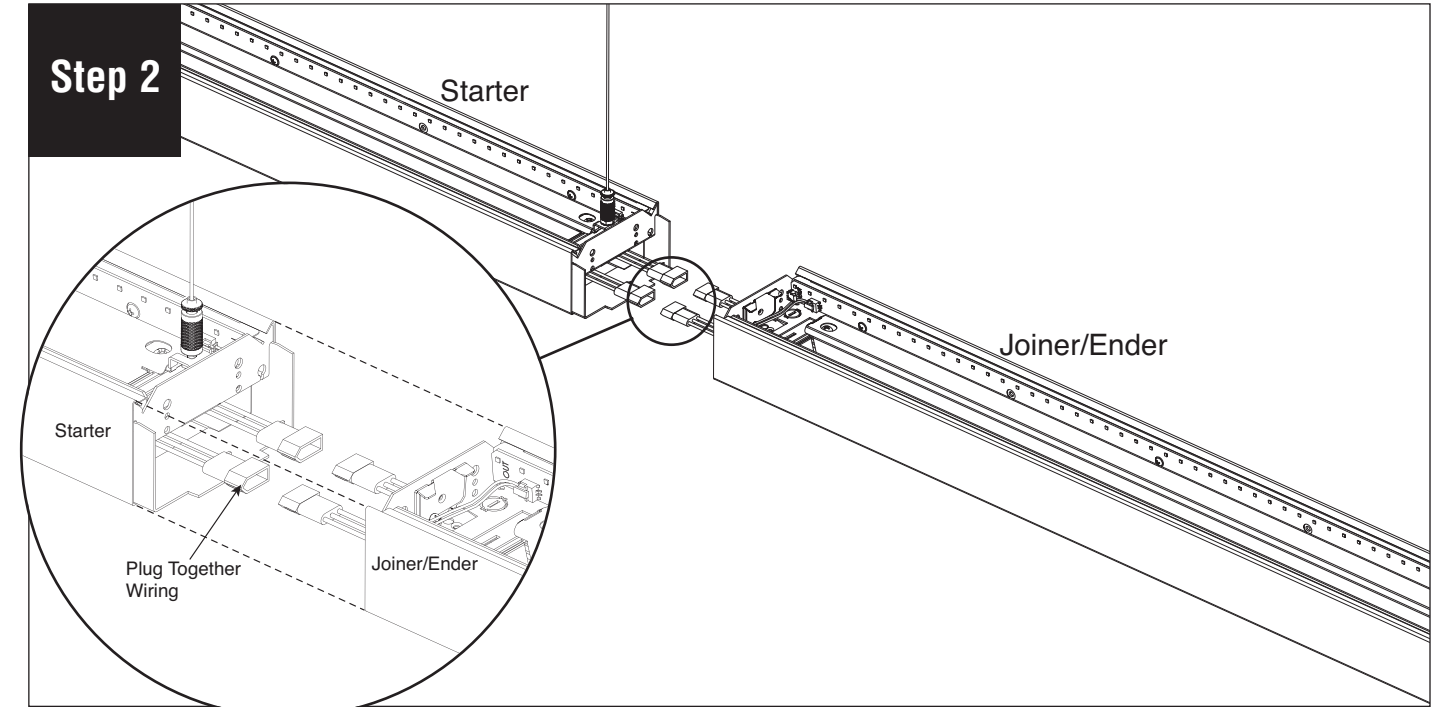
1. Position the serrated kep nut of the adjustable cable gripper assembly under the mounting hooks, rotate up to sit securely on top of hook.
2. Finger tighten adjustable cable gripper into the kep nut until secure. (Avoid over-tightening.)
3. Depress release lock nut to prevent cable twisting while tightening.
4. Depress the release lock nut to adjust the aircraft cable to the correct length to level the luminaire. Screw down release lock nut. Pull excess aircraft cable away from luminaire.
5. Pull all but 9" of cable up through safety stop and safety crimp.
6. Secure safety crimp with crimping tool. Trim off excess cable.
7. Push safety stop, safety crimp and remaining 6" of cable down into luminaire body.

Note: All power connections to be installed to local/national codes by a Certified Electrician.

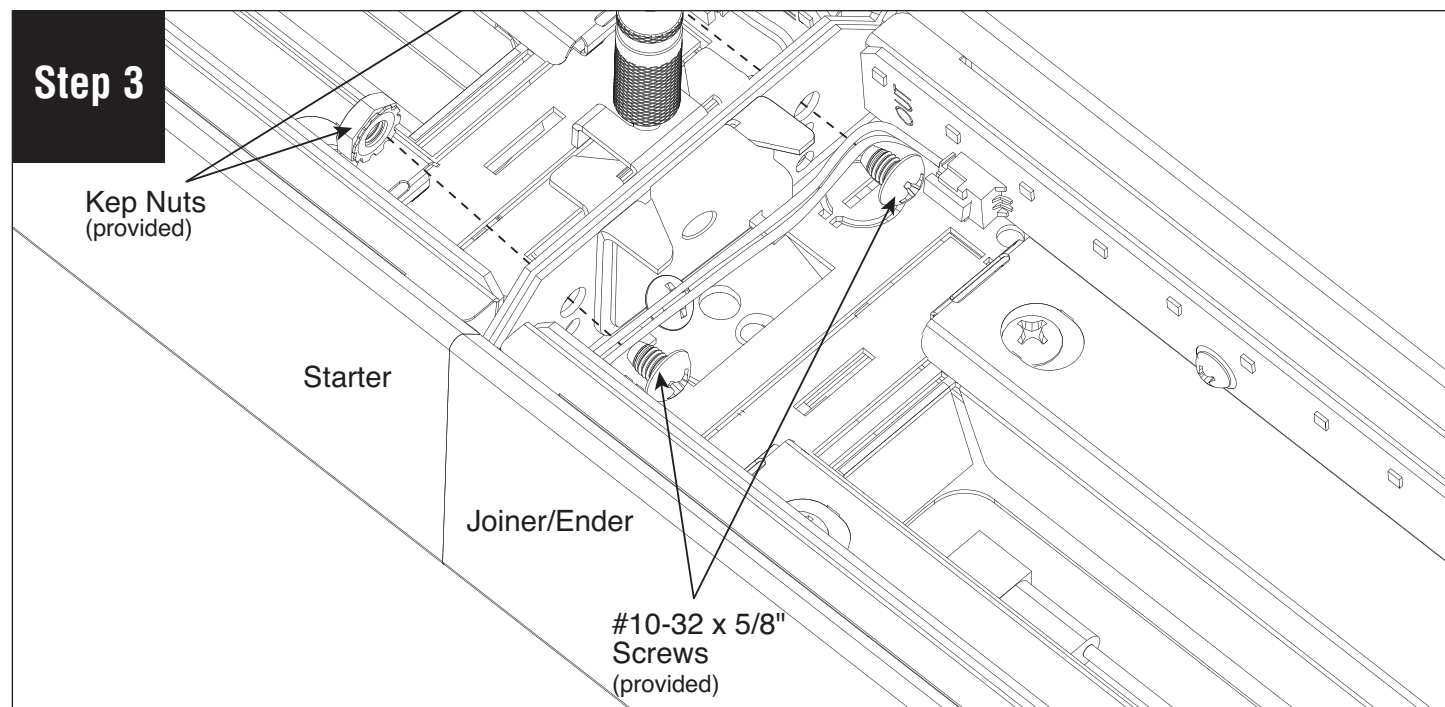
Series 18 Fully Adjustable Cable Joiner/Ender Installation Instructions



Position the serrated kep nut of adjustable cable gripper under the mounting hooks, rotate up to sit securely on top of hook. Finger tighten kep nut until secure. Do not over-tighten. Depress release lock nut to adjust aircraft cable, relock to secure.



Connect the plugs, then slide the luminaire together. Be careful not to damage wiring.



Secure joint with #10-32 x 5/8" screws (provided) and tighten kep nuts (provided). Level luminaire then turn power on.

Note: All power connections to be installed to local/national codes by a Certified Electrician.