

# E3 Pendant Installation Instructions

## Overview

### NOTES

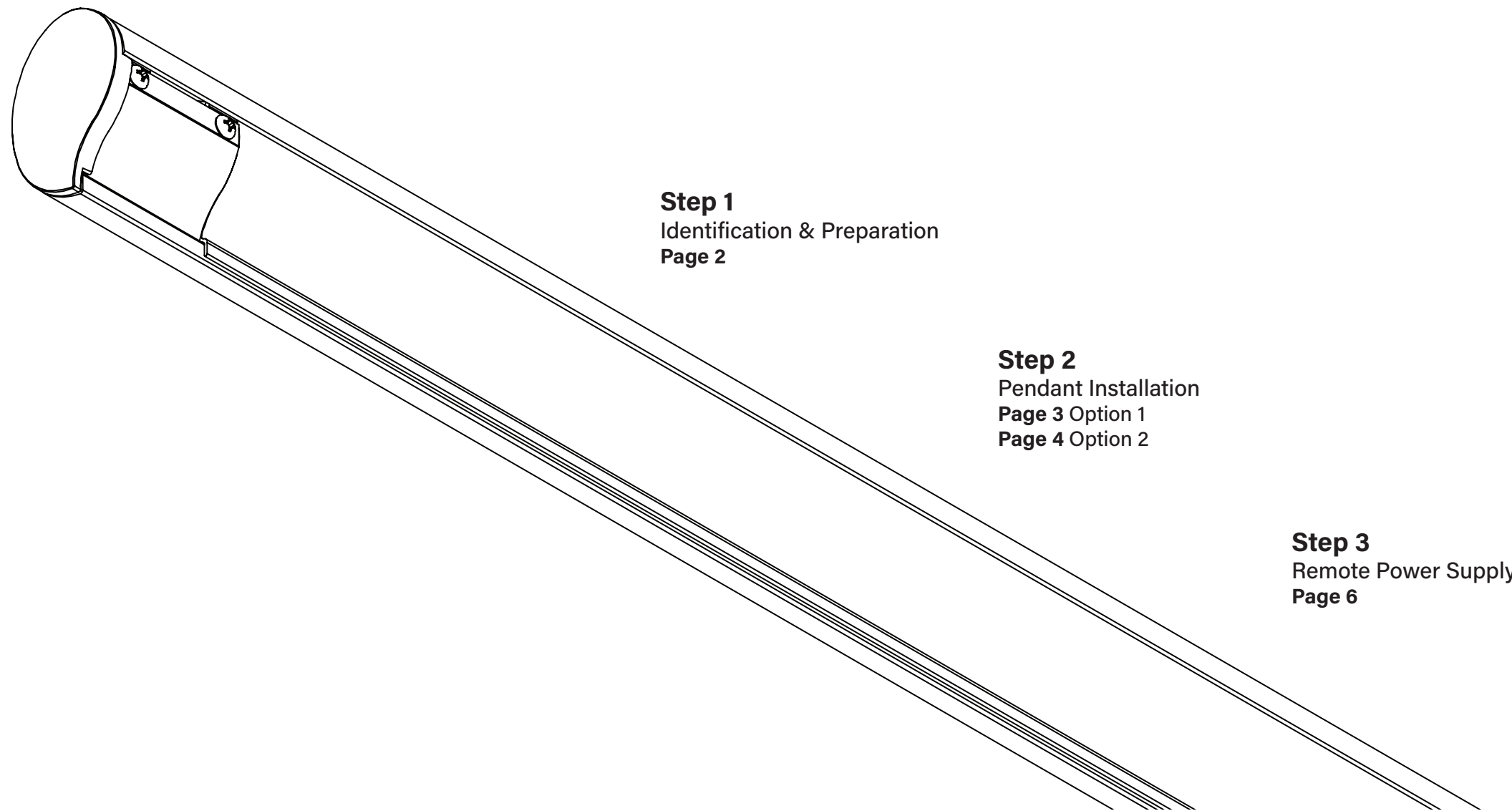
- All power connections should be installed according to local/national codes by a Certified Electrician.
- This installation requires **proper support** as each luminaire is being installed.



HELPFUL  
VIDEOS



0-10V  
Dimming



**Step 1**  
Identification & Preparation  
Page 2

**Step 2**  
Pendant Installation  
Page 3 Option 1  
Page 4 Option 2

**Step 3**  
Remote Power Supply  
Page 6

# E3 Pendant Installation Instructions

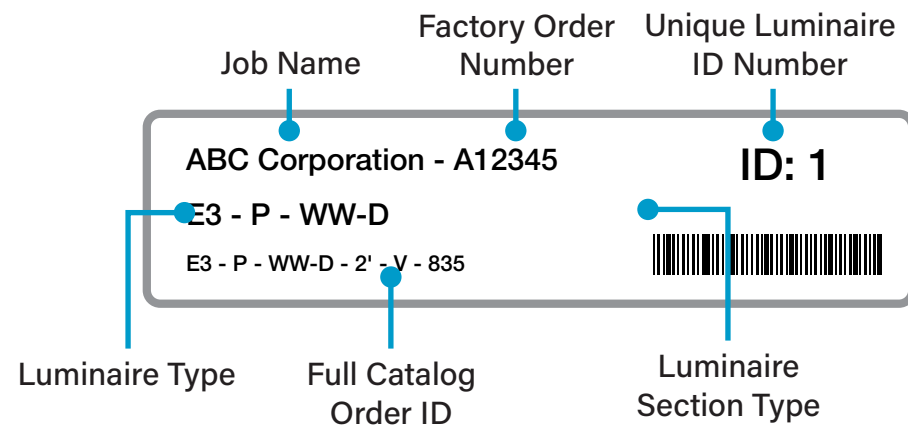
## Step 1 - Identification & Preparation

### A. Identify Luminaires



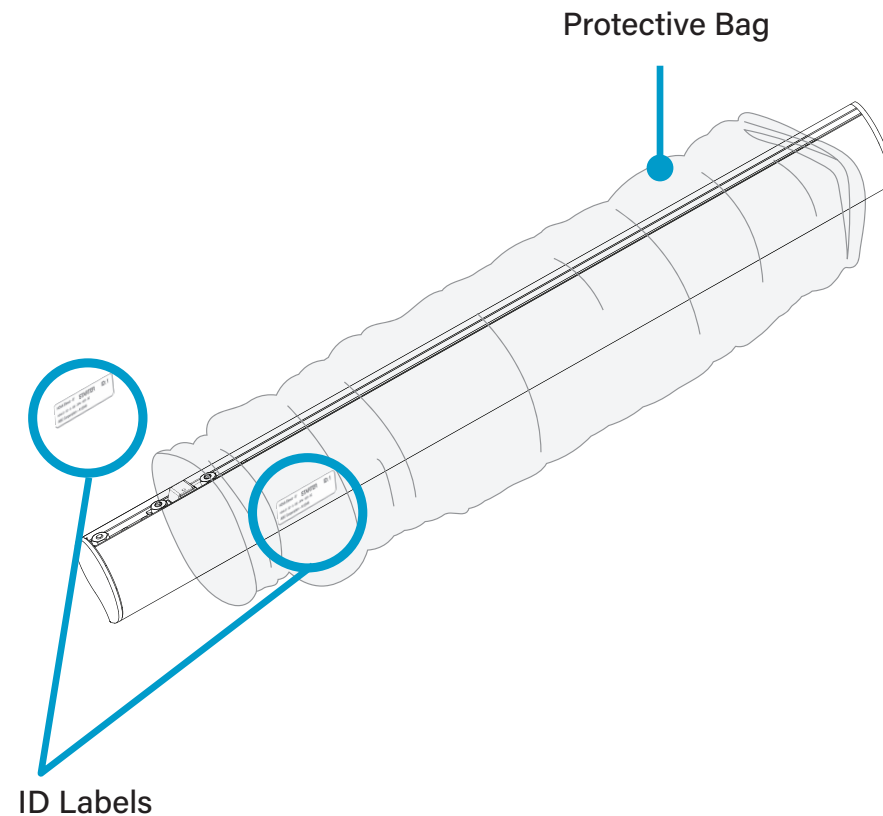
Arrange luminaires in order according to ID# at their install locations.

**CAUTION**



- Identify all luminaires and Knuckle by their ID label that can be found on the box and inside the luminaire.
- NOTE: Exact location of labels in these areas may vary.
- Remove all luminaires from their box.
- Refer to Record Drawings that can be found in the hardware kit.

### B. Identify Luminaire



- Remove Bag

### C. Identify Ceiling Type

**NOTE:** All power in junction box should be turned off during installation

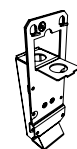
HARDWARE AND POWER SUPPLY LOCATION		
Ceiling Type	Mounting Hardware	Power Supply Location
On-Grid T-Bar	GridBox™ (p. 3)	Above T-Bar Ceiling (p. 6)
Off-Grid T-Bar	J-Box (p. 4)	Above T-Bar Ceiling (p. 6)
Hard Ceiling / Drywall	J-Box (p. 4)	Remote Access (p. 6)

- Identify ceiling type, mounting hardware, and power supply location.
- Power supply should be installed in an accessible area. For T-bar mounting, install above ceiling panels and above insulation for best lifetime performance. For hard ceiling / drywall mounting install in nearby service closet.

### Kitted Hardware

- Finelite has provided items listed here, with their Finelite part numbers. These items can be found in separate boxes shipped with the luminaire.
- Account for all parts and set aside until they are needed.
- All other hardware needed for this installation will be by others.

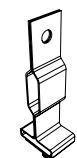
#### Mounting Option 1



**GridBox™**  
Part# 89159  
Pendant Installation p. 3, Step 2

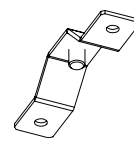


**3-1/2" Canopy**  
Part# 89191  
Pendant Installation p. 3, Step 2



**Caddy Clip**  
C1 Ceiling - Part# 94001  
C2 Ceiling - Part# 94020  
C3 Ceiling - Part# 94029  
Pendant Installation p. 3, Step 2

#### Mounting Option 2



**Pendant Mount Bracket**  
Part# 68009  
Pendant Installation p. 4, Step 2



**1/4-20 Eye Bolt**  
Part# 92005  
Pendant Installation p. 4, Step 2



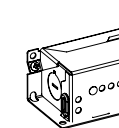
**Slip Ring w/ Set Screw**  
Part# 94015  
Pendant Installation p. 4-5, Step 2



**4" Canopy**  
Part# 89193  
Pendant Installation p. 4-5, Step 2



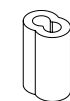
**Gripper**  
Part# 68129  
Pendant Installation p. 3-4, Step 2



**P06 Power Supply Box**  
Part# 68129  
Remote Power Supply p. 6-7, Step 3



**Cable Bushing**  
Part# 94014  
**Aircraft Cable**  
50" - Part# 94515-12 (Std.)  
100" - Part# 94515-14  
150" - Part# 94515-18  
Pendant Installation p. 3, Step 2  
p. 5, Step 2



**Safety Crimp**  
Part# 94514  
Pendant Installation p. 3, Step 2  
p. 5, Step 2



**#6-32x3/16" screw**  
Part# 94144  
Remote Power Supply p. 6, Step 3

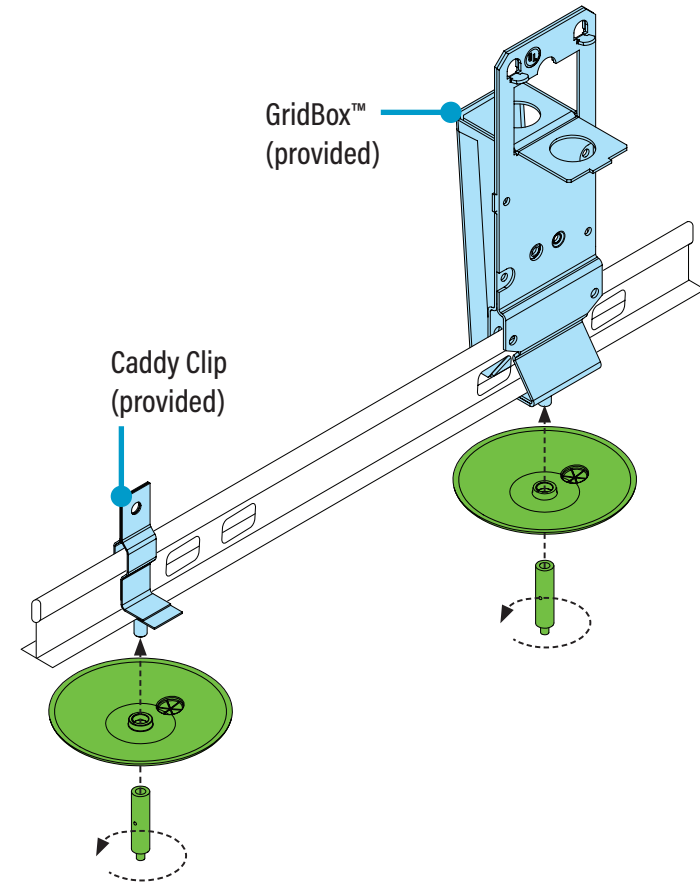
# E3 Pendant Installation Instructions

## Step 2 - Pendant Installation

### A. Install GridBox™

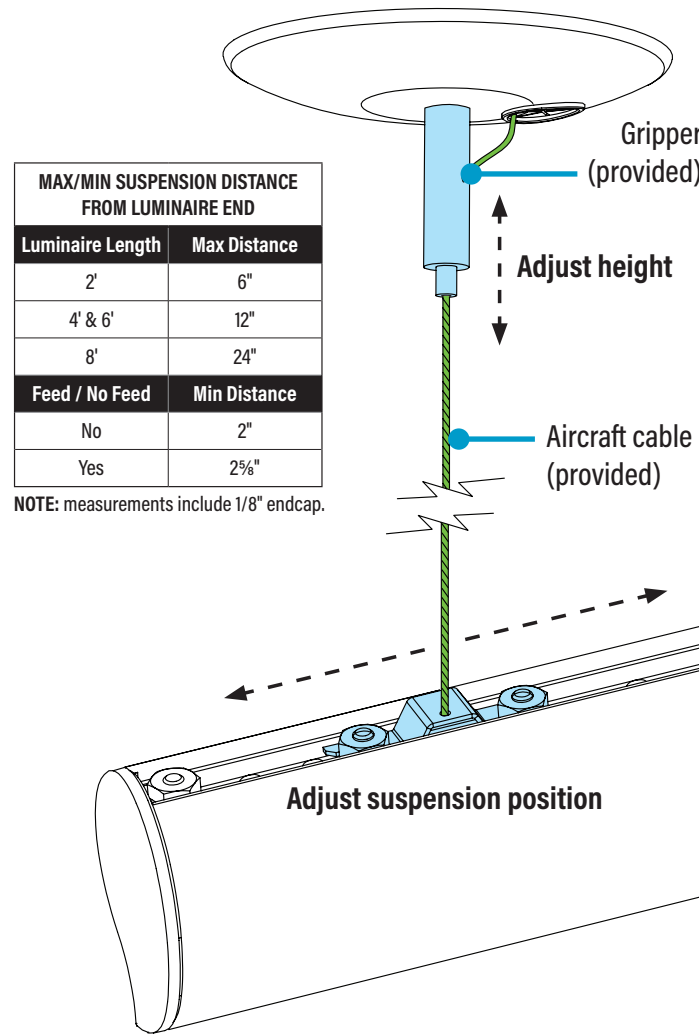
#### Option 1 On Grid

Top View



- Lift ceiling panel to access T-bar grid
- Snap non-feed caddy clip and splice box clip to T-bar
- Align 3.5" canopy and gripper with clip mounting location.
- Turn gripper clockwise until assembly locks in place.

### B. Adjust Aircraft Cable

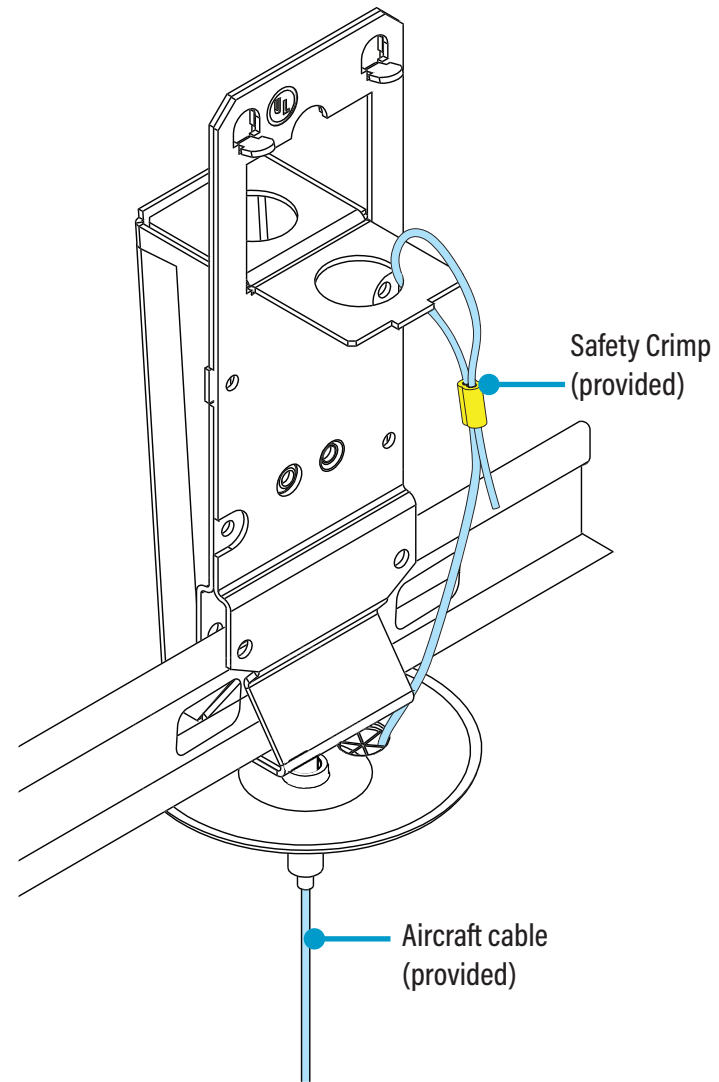


MAX/MIN SUSPENSION DISTANCE FROM LUMINAIRE END	
Luminaire Length	Max Distance
2'	6"
4' & 6'	12"
8'	24"
Feed / No Feed	Min Distance
No	2"
Yes	2 5/8"

NOTE: measurements include 1/8" endcap.

- Adjust bracket to desired location.
- Secure locking fastener and #8 kep nut with 11/32" nut driver.
- Adjust height by inserting the cable into the gripper. Depress the tip of the gripper to release and lower the luminaire.

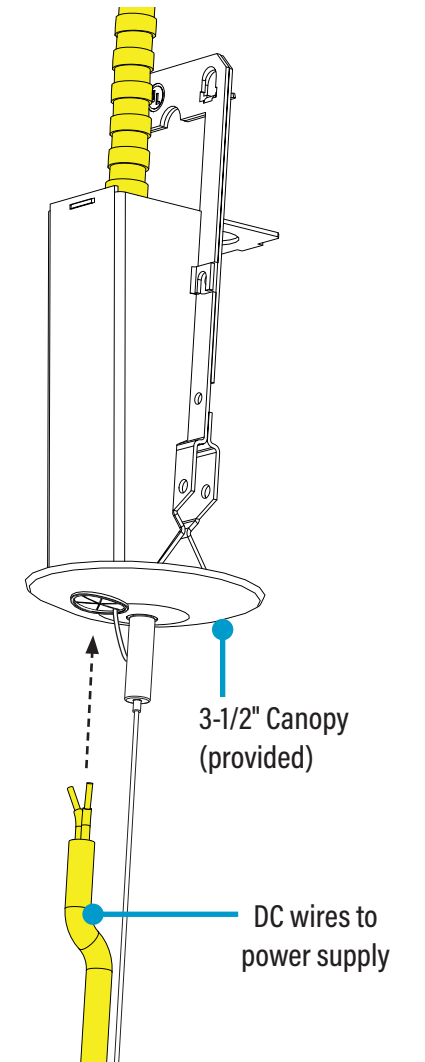
### C. Secure and Crimp Cable



- Secure excess aircraft cable to structure and crimp.  
**Example:** T-bar, GridBox™.

### D. Make Electrical Connections

WIRING LEGEND		
Red	Positive (+)	DC Voltage
Black	Negative (-)	DC Voltage



- Feed power cord through the 3-1/2" canopy and connect wires inside the GridBox™.

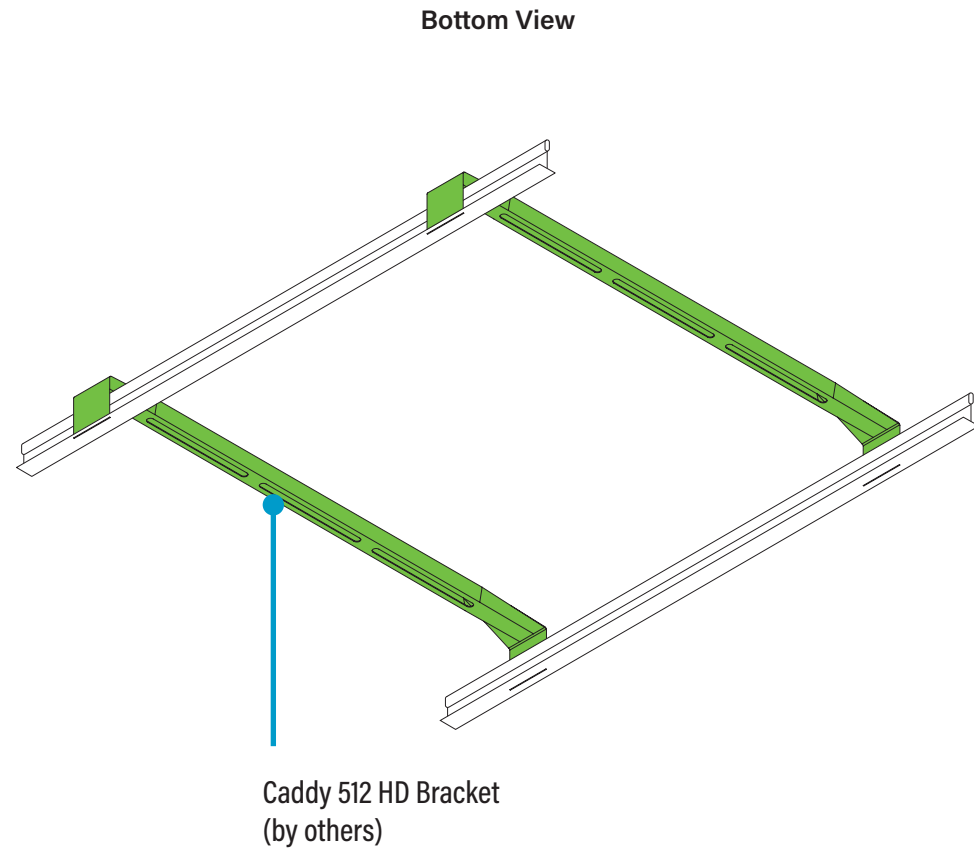


# E3 Pendant Installation Instructions

## Step 2 - Pendant Installation

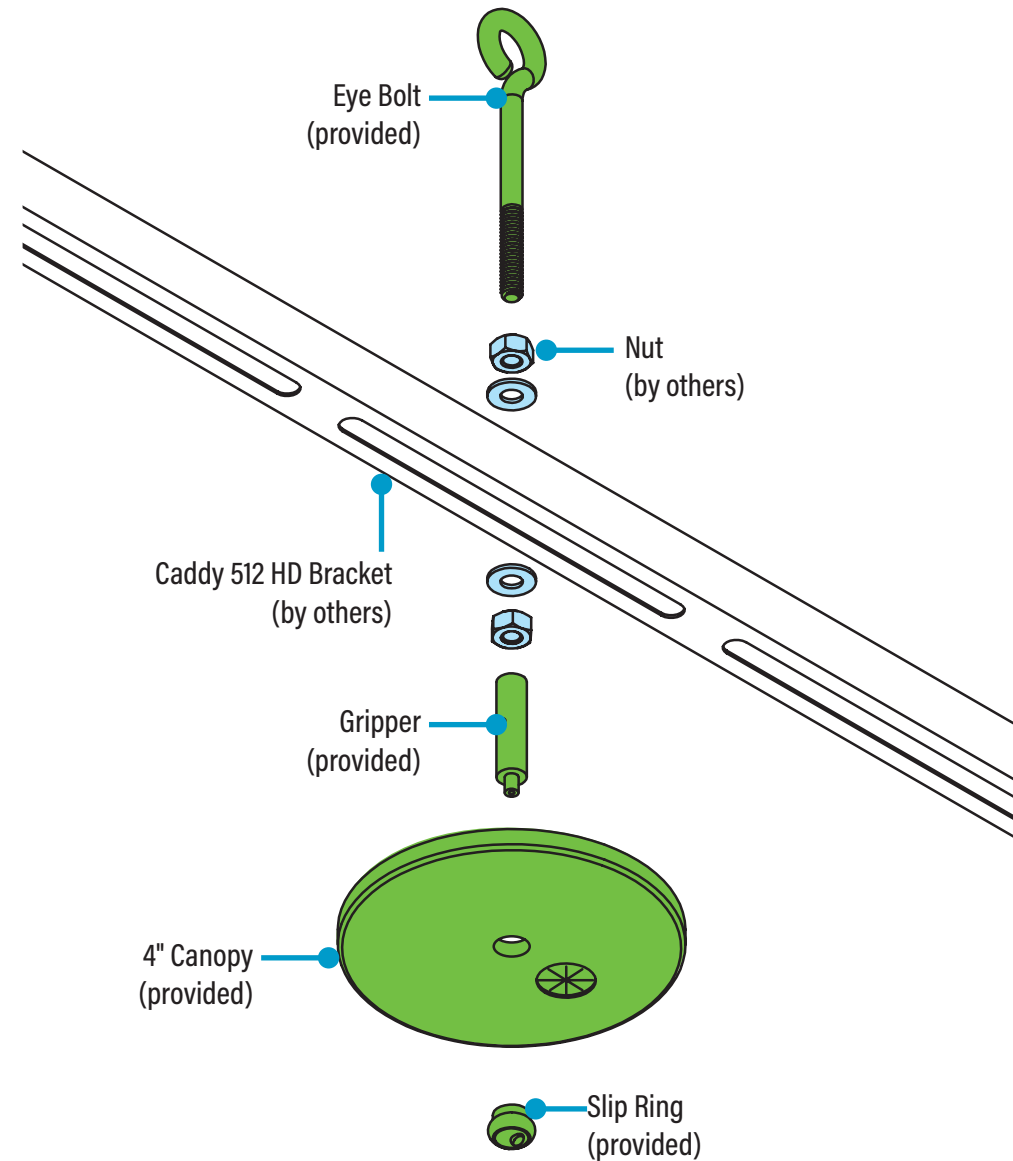
### A. Install Caddy

#### Option 2 Off Grid



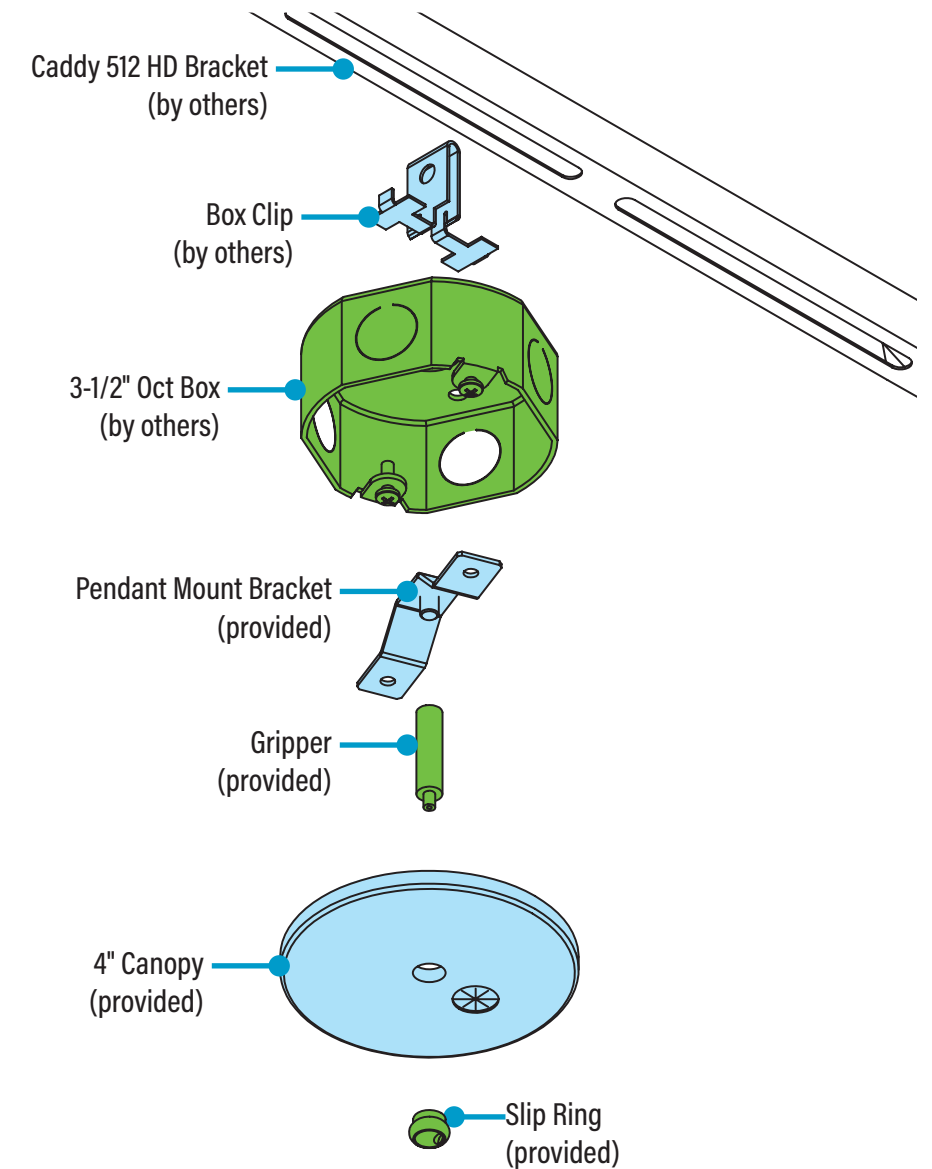
- Install mounting caddy to T-bar or joists
- Install Clip & 3 1/2" OCT
- Install Box (By Others)

### B. Install Support Assembly

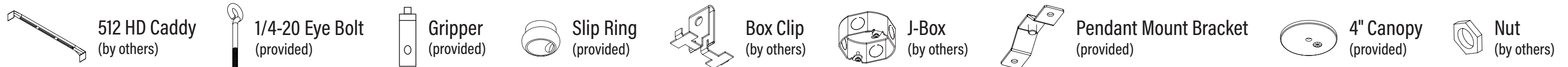


- Combine eye pin, caddy, gripper, 4" canopy, and slip ring.

### C. Install Feed Assembly



- Combine caddy, box clip, 3-1/2" J-box, pendant mount bracket, gripper, feed canopy, and slip ring.



# E3 Pendant Installation Instructions

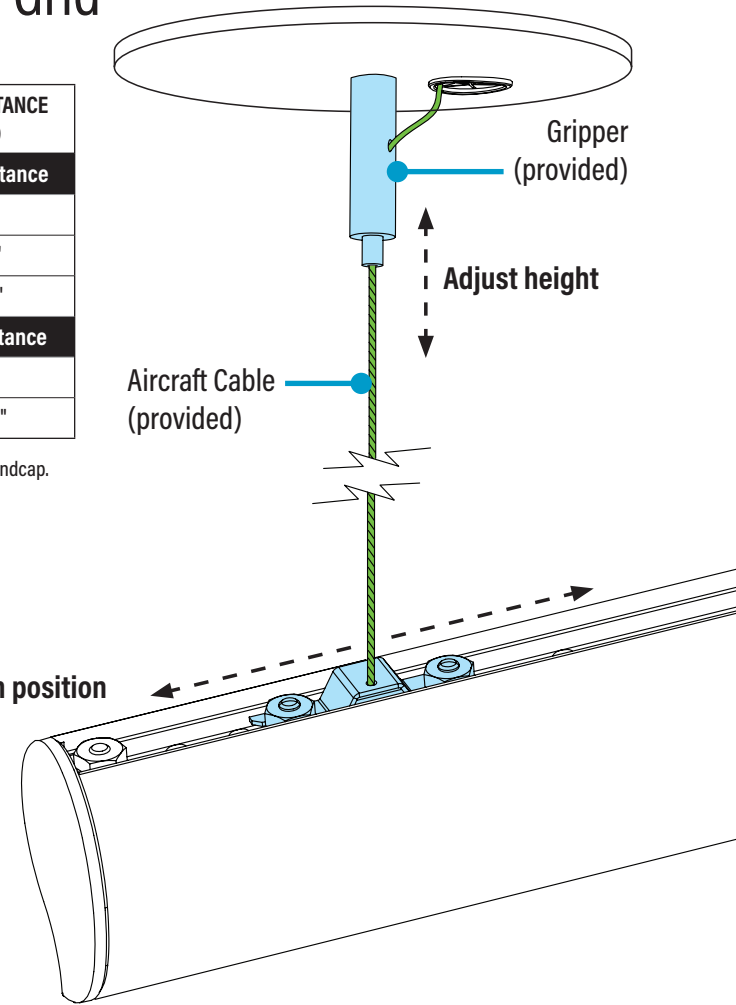
## Step 2 - Pendant Installation

### A. Connect Cable to Gripper

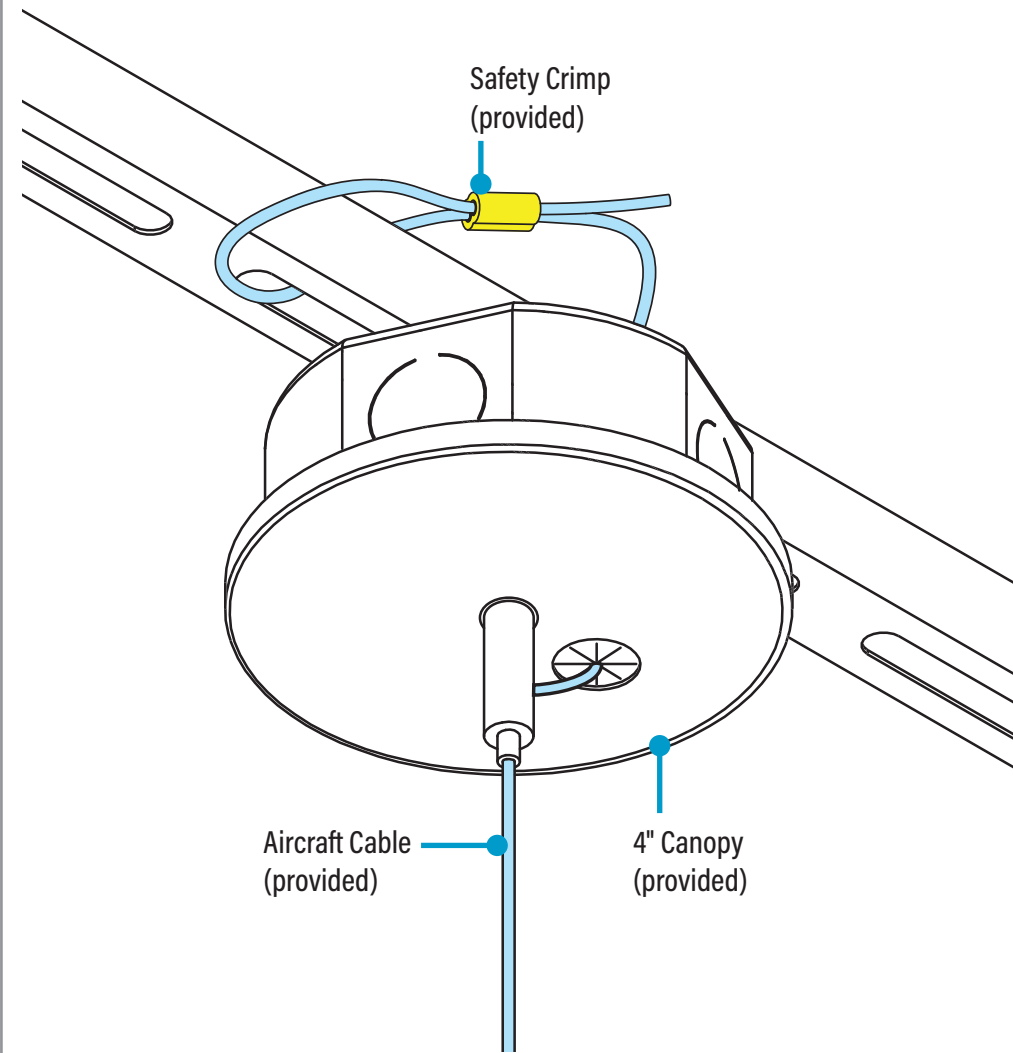
#### Option 2 Off Grid

MAX/MIN SUSPENSION DISTANCE FROM LUMINAIRE END	
Luminaire Length	Max Distance
2'	6"
4' & 6'	12"
8'	24"
Feed / No Feed	Min Distance
No	2"
Yes	2 5/8"

NOTE: measurements include 1/8" endcap.



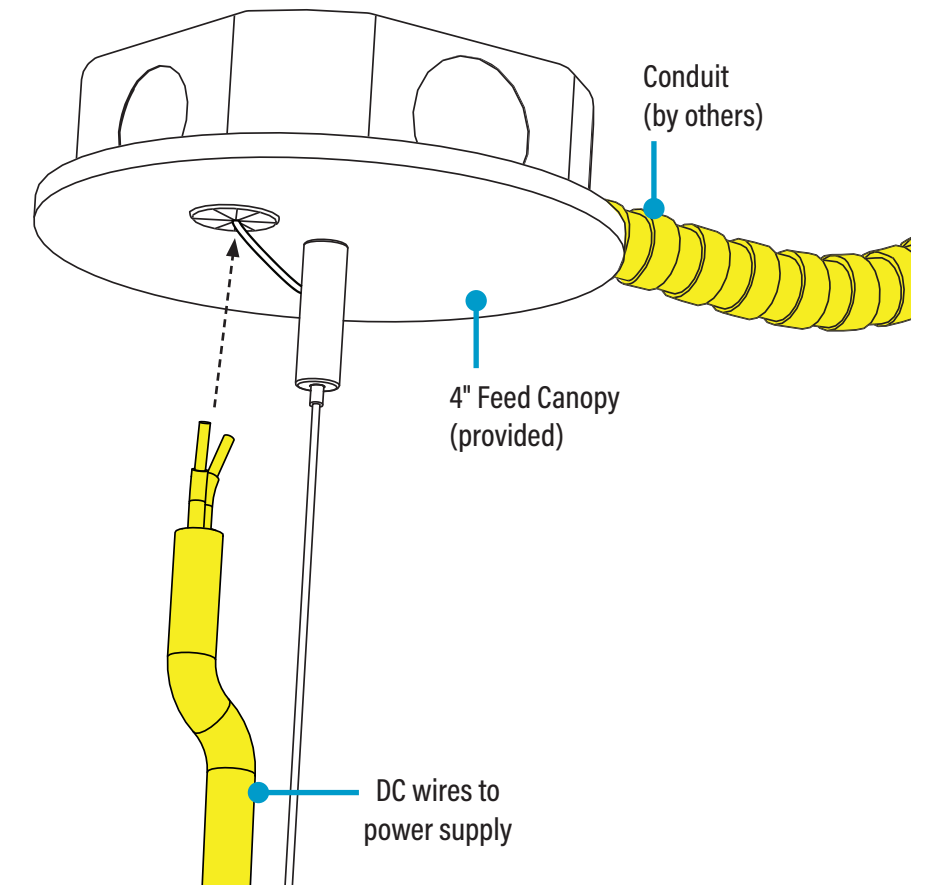
- Adjust bracket to desired location.
- Secure locking fastener and #8 kep nut with 11/32" nut driver.
- Adjust height by inserting the cable into the gripper. Depress the tip of the gripper to release and lower the luminaire.



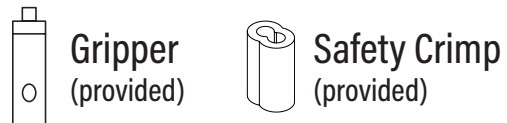
- Secure excess aircraft cable to structure and crimp. **Example:** T-bar, caddy, J-box.

### B. Make Electrical Connections

WIRING LEGEND		
Red	Positive (+)	DC Voltage
Black	Negative (-)	DC Voltage



- Feed power cord through the 4" canopy and connect wires inside the J-Box.





# E3 Pendant Installation Instructions

## Step 3 - Remote Power Supply

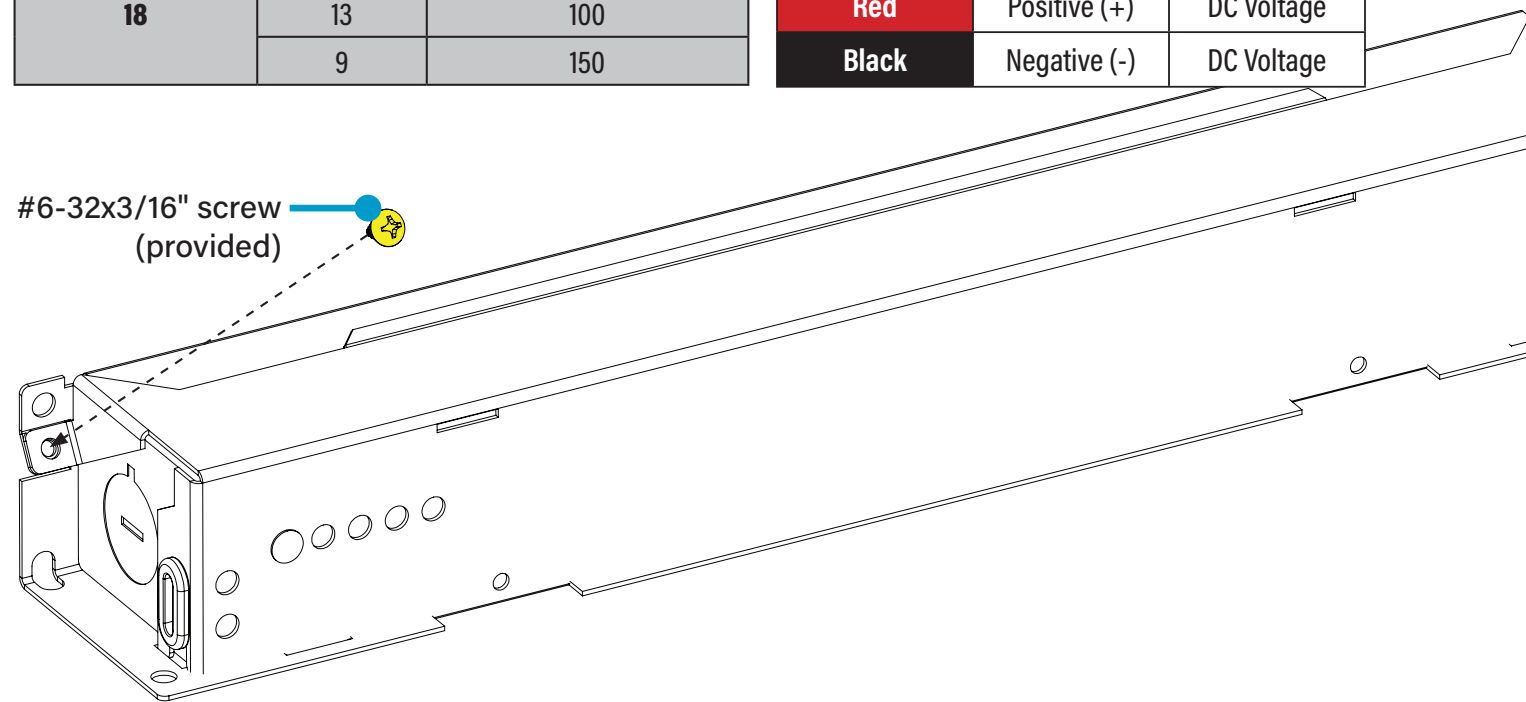
### A. Secure In Location

#### All Options

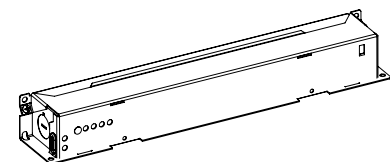
DC WIRE GAUGE SUGGESTION		
Wire Gauge (AWG)	Distance (ft.)	Pendant Feed Cable (in.)
12	85	50
	81	100
	77	150
14	52	50
	47	100
	43	150
18	17	50
	13	100
	9	150

WIRING LEGEND		
AC WIRING		
Black	Hot	Line Voltage
White	Neutral	Line Voltage
Green	Ground	
Pink	Dimming	0-10V DC
Purple	Dimming	0-10V DC
DC WIRING		
Red	Positive (+)	DC Voltage
Black	Negative (-)	DC Voltage

#6-32x3/16" screw (provided)



- Lift panel to access above T-bar ceiling **-OR-** Place power supply box in accessible area (by breaker panels in service closet)
- Secure two #6-32x3/16" screws to secure power supply.



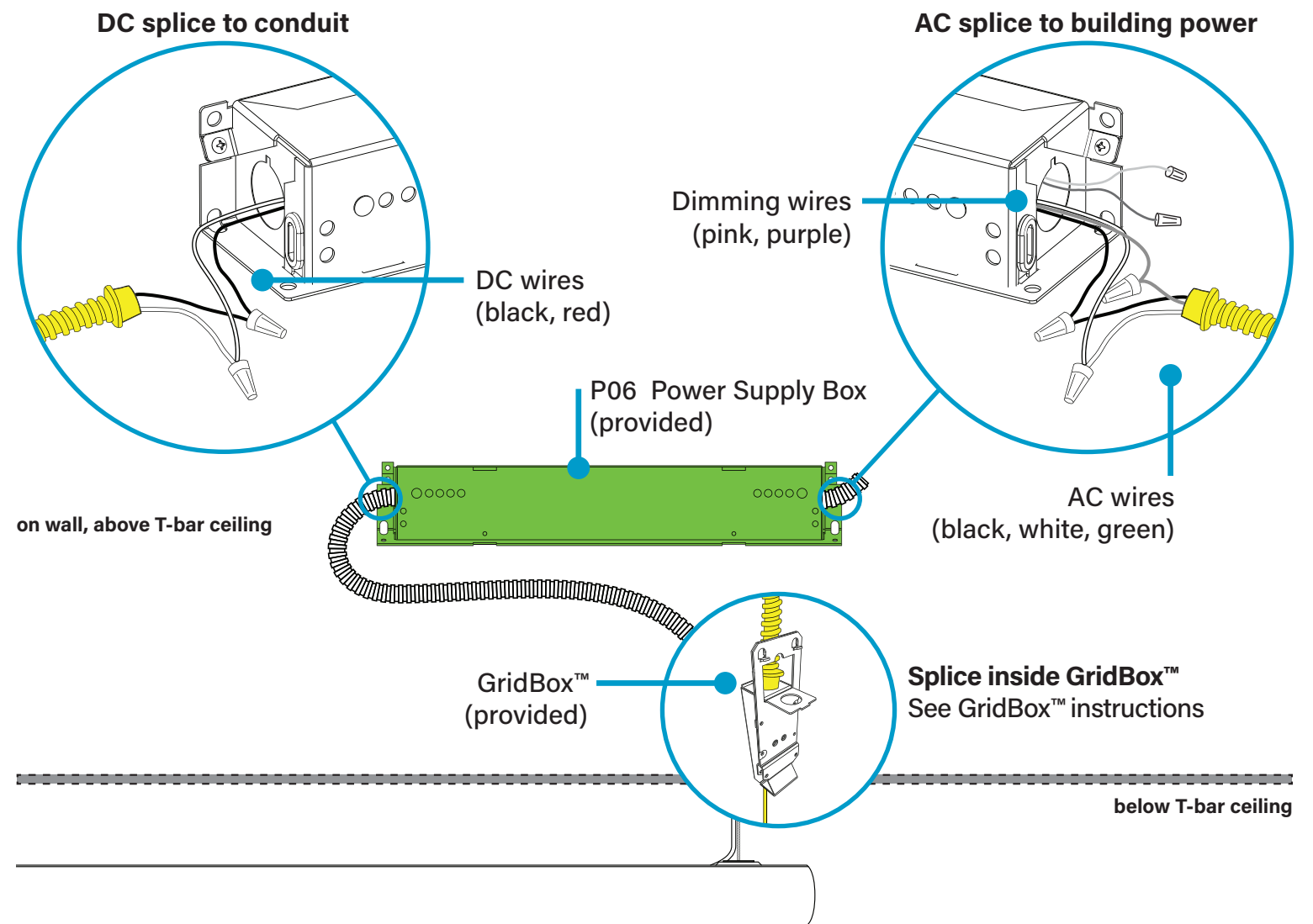
P06 Power Supply Box (provided)



#6-32x3/16" Screw (by others)

### B. Make Electrical Connections

#### Option 1 On Wall



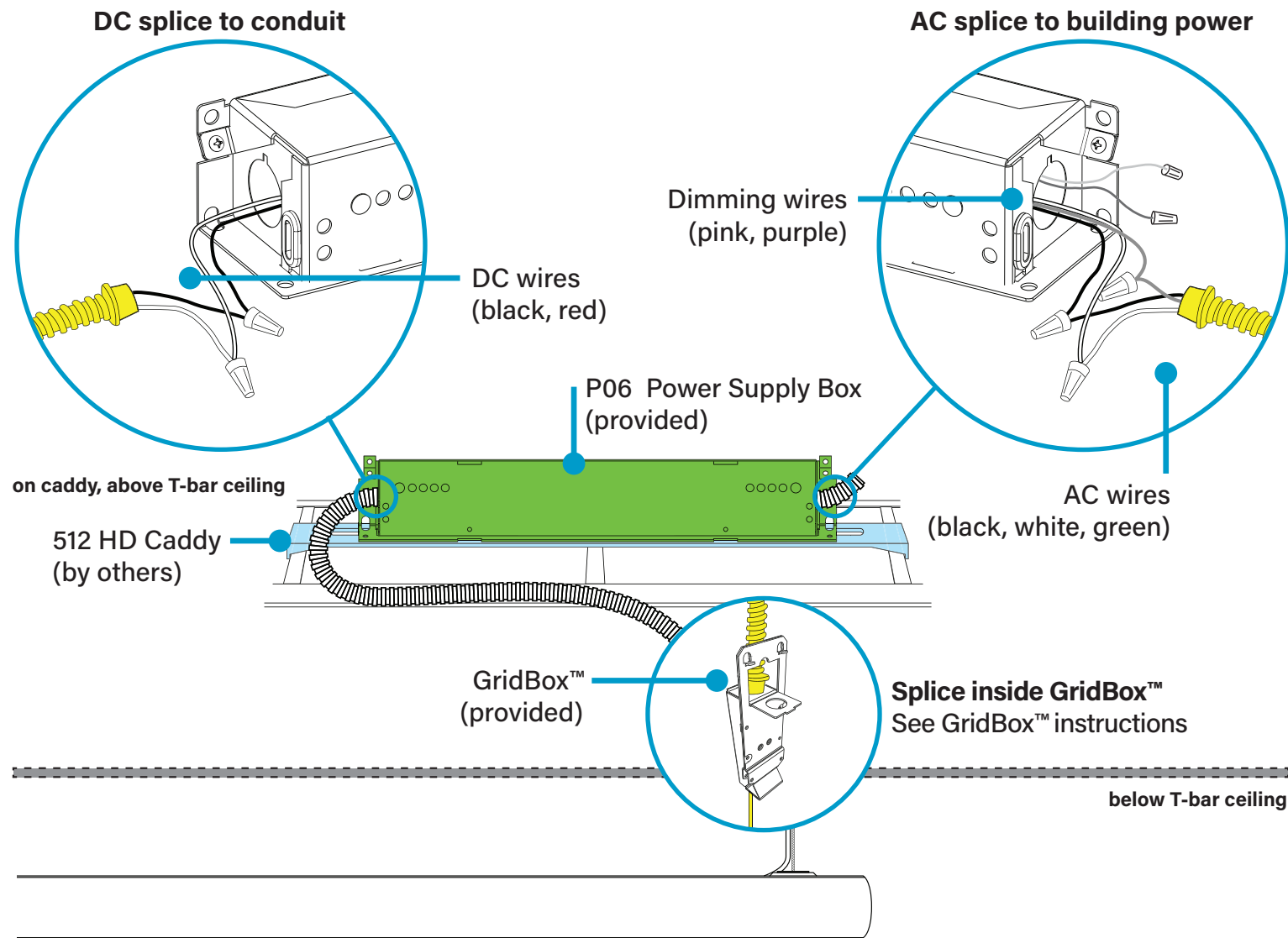
- Make electrical connections to conduit (by others).
- Connect power supply box to building power.
- Complete wiring splice inside GridBox™.
- Turn on power to luminaire to test proper function.

# E3 Pendant Installation Instructions

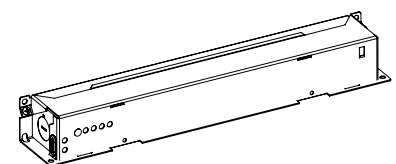
## Step 3 - Remote Power Supply

### B. Make Electrical Connections

#### Option 2 Between Grid



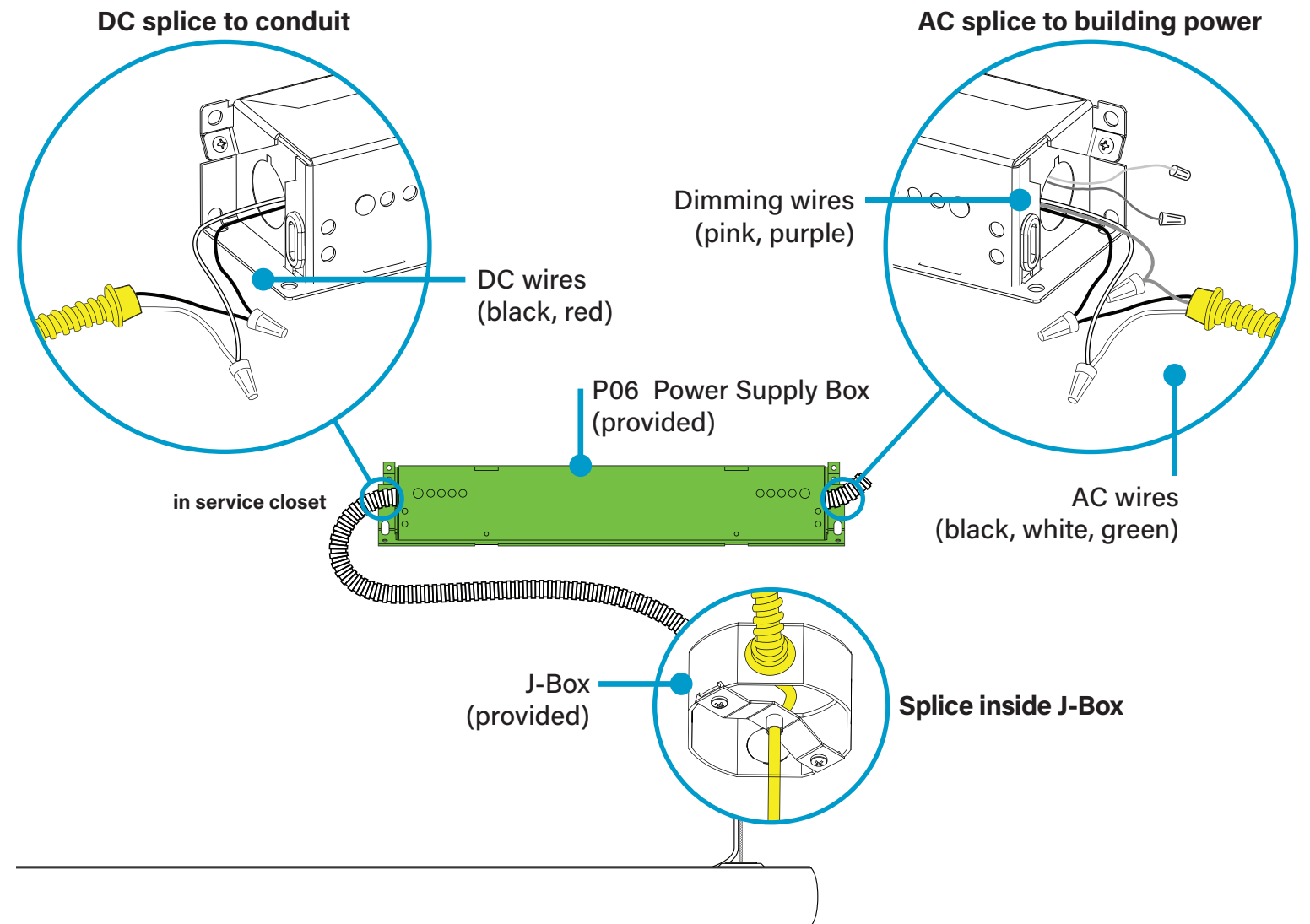
- Make electrical connections to conduit (by others).
- Connect power supply box to building power.
- Complete wiring splice inside GridBox™.
- Turn on power to luminaire to test proper function.



P06 Power Supply Box (provided)

### B. Make Electrical Connections

#### Option 3 Accessible Area



- Make electrical connections to conduit (by others).
- Connect power supply box to building power.
- Complete wiring splice inside J-Box.
- Turn on power to luminaire to test proper function.