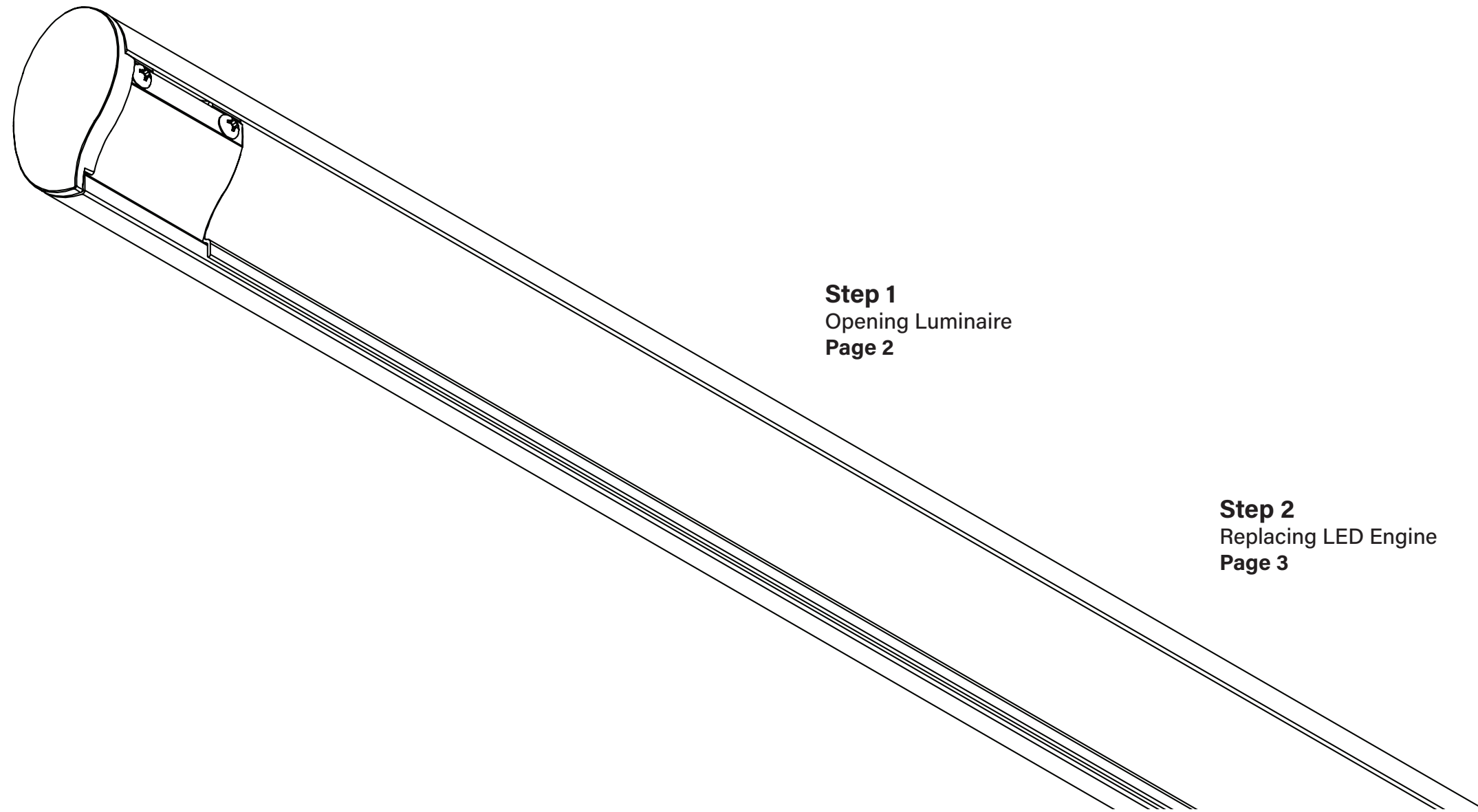


# E3 LED Engine Replacement Instructions

## Overview

### NOTES

- All power connections should be installed according to local/national codes by a Certified Electrician.
- Turn off power to luminaire while switching out LED engine.



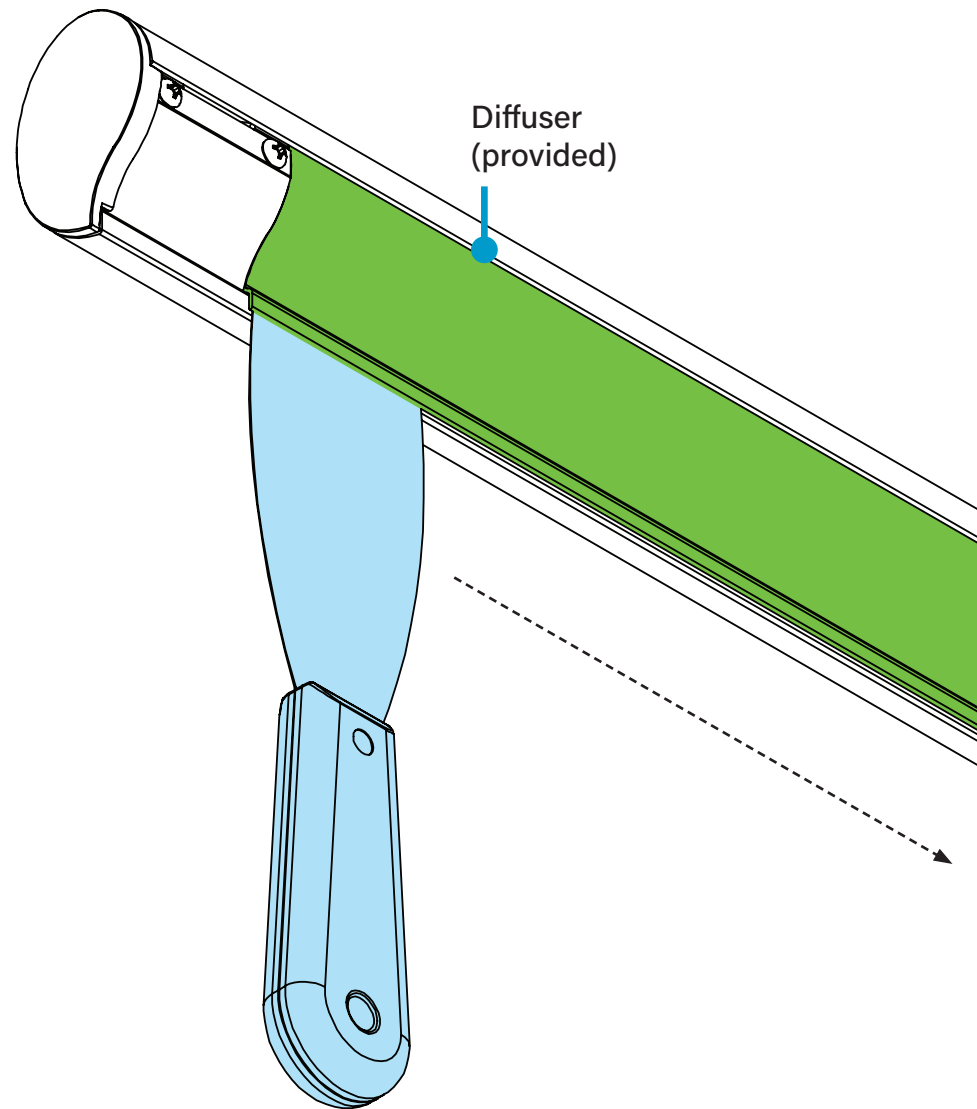
**Step 1**  
Opening Luminaire  
Page 2

**Step 2**  
Replacing LED Engine  
Page 3

# E3 LED Engine Replacement Instructions

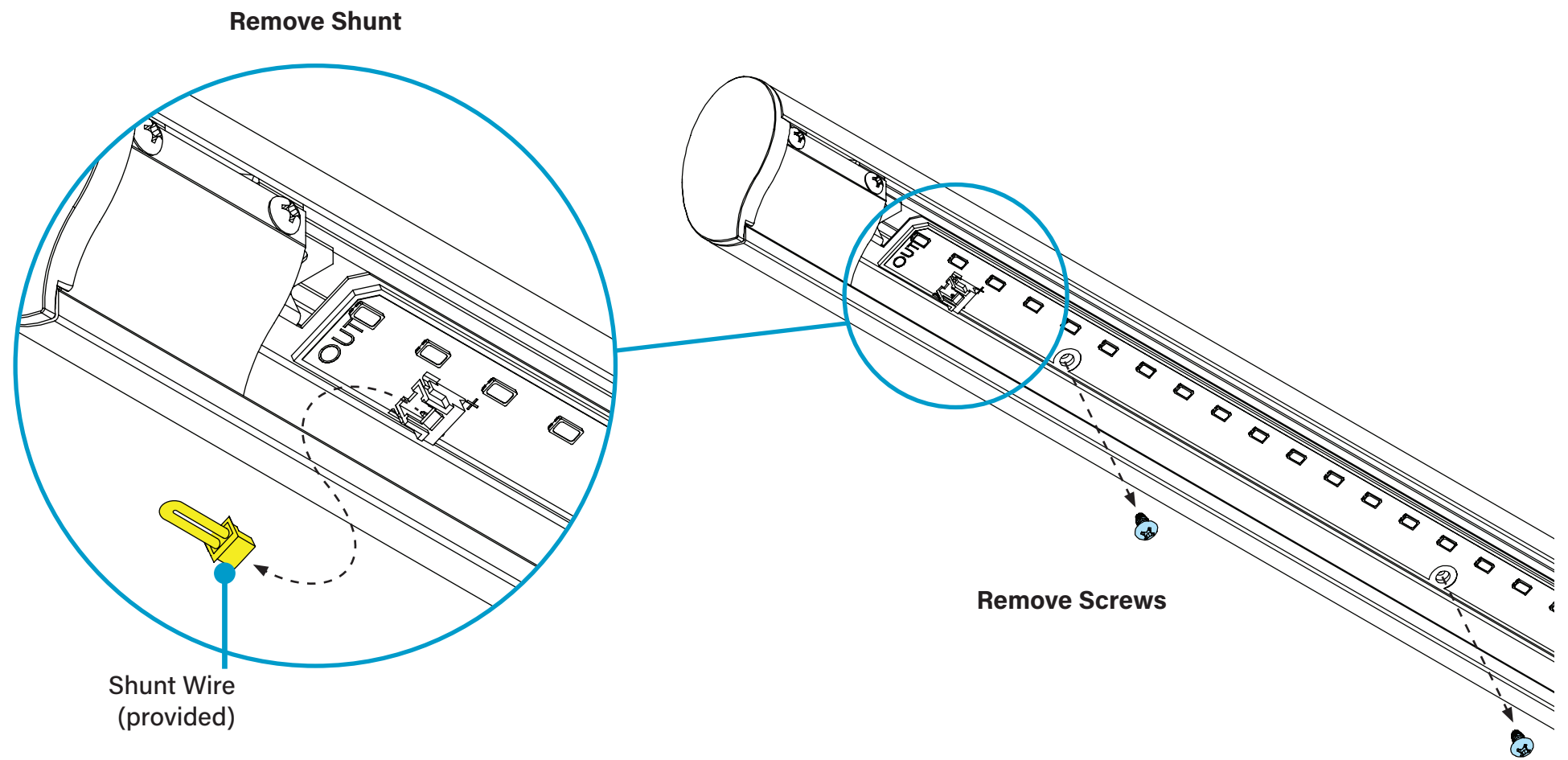
## Step 1 - Opening Luminaire

### A. Remove Diffuser



- Use a putty knife to lift open the lower edge of the diffusers. Slowly work down the length of the diffuser until it is fully removed.
- Set diffuser aside in a safe place to avoid damage.

### B. Disconnect LED Engine

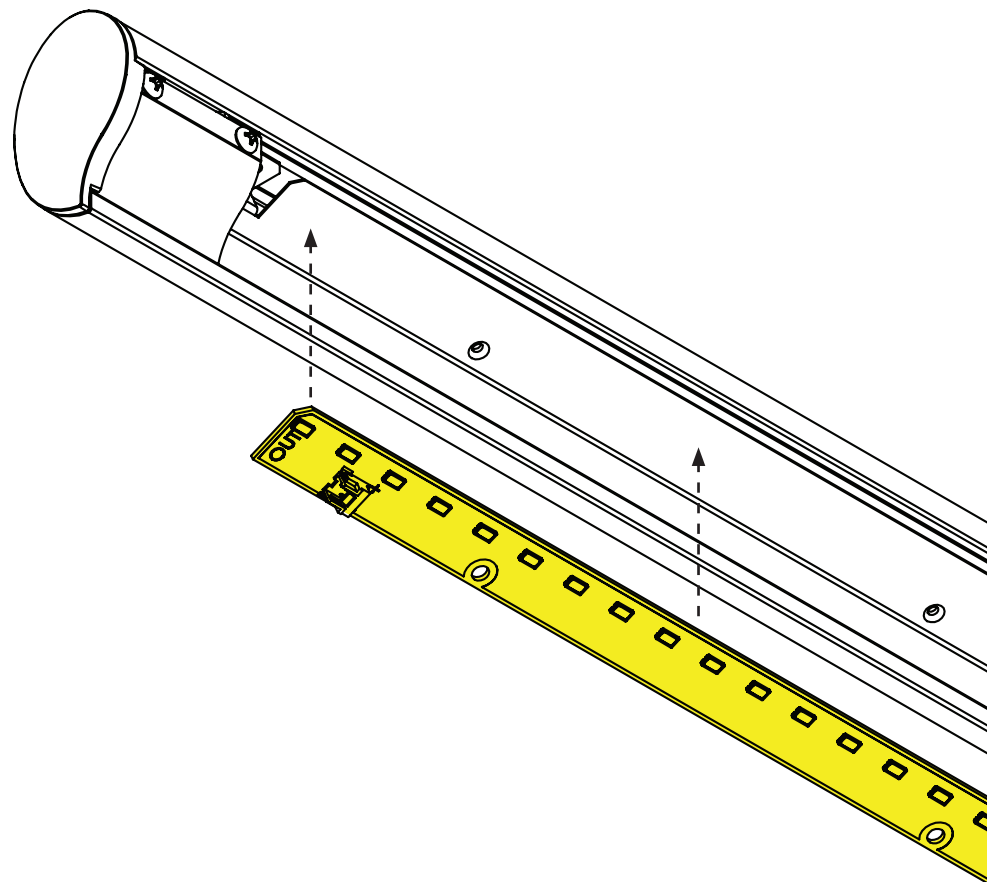


- Unplug feed wire connectors, jumper wires, and shunt wire. Set aside in a safe place.
- Remove all #6-23 x 3/16" screws holding the LED engine in place with a #2 Philips screwdriver

# E3 LED Engine Replacement Instructions

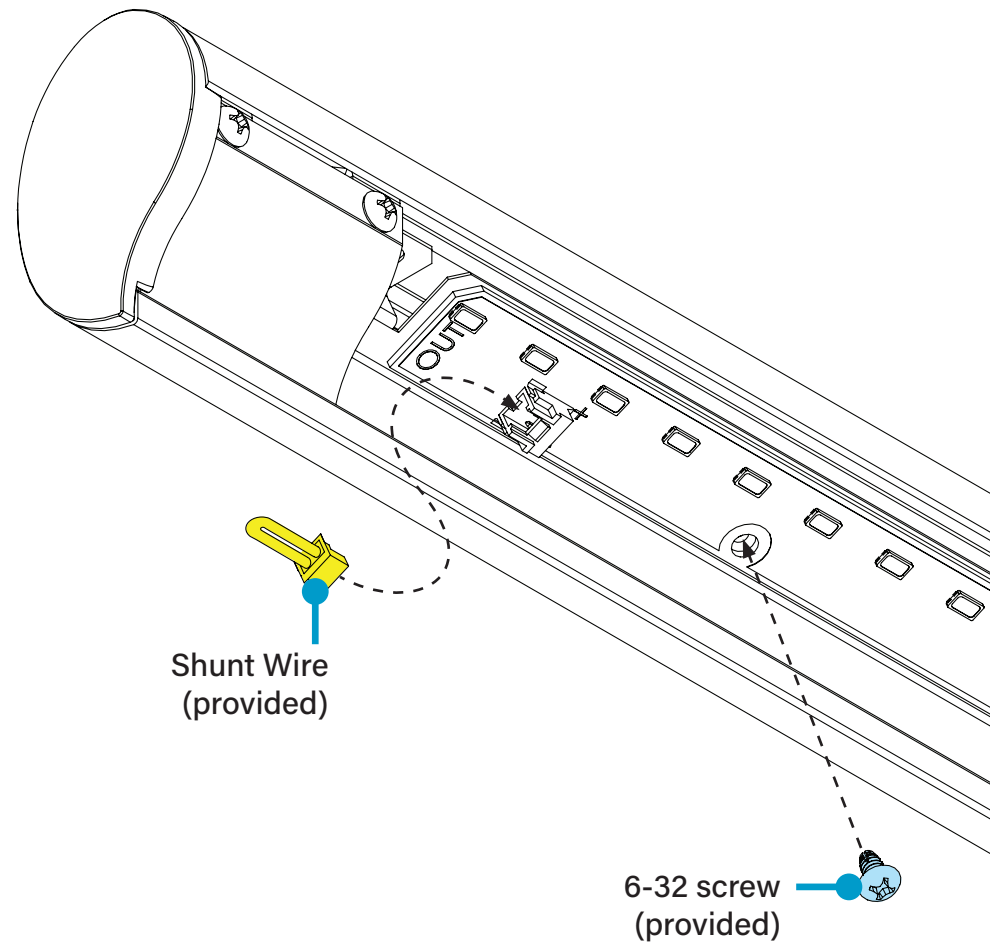
## Step 2 - Replacing LED Engine

### A. Replace LED Engine



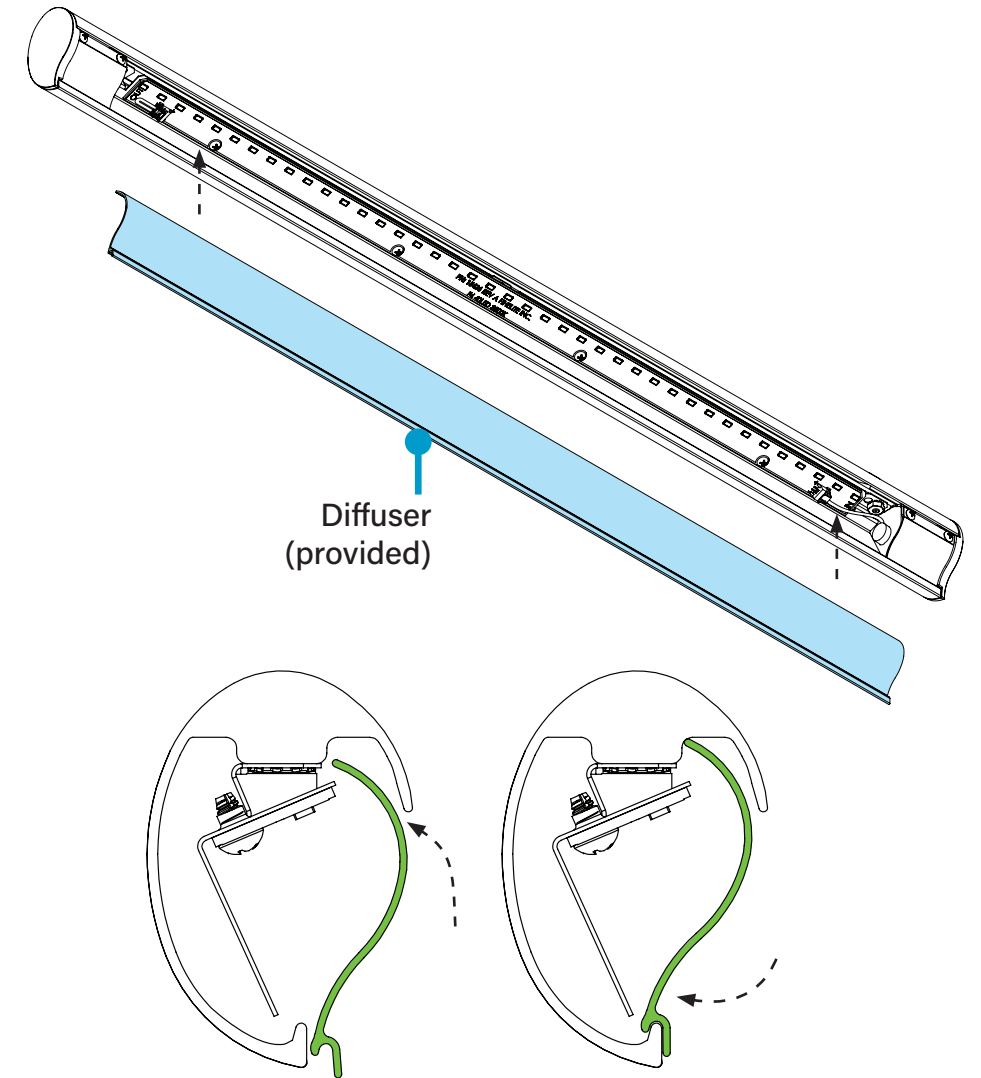
- Remove LED engine and replace with new engine.

### B. Re-Connect Engine



- Reinstall all #6-23 x 3/16" screws to secure the LED engine in place.
- Re-connect feed wire connectors, jumper wires, and shunt wire.

### C. Replace Diffuser



- Re-install diffuser by slipping the upper portion of the diffuser into the pocket above the LED engine.
- Start at one end and press the snap edge into place until it snaps over the edge of the housing, continue snapping down the length until fully installed.