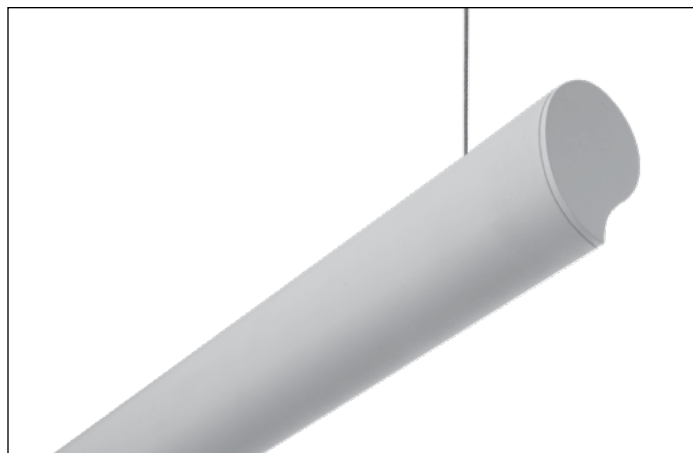


Submitted by:		Date:
Type:	Project:	
Ordering Info:		

Elements of Design (E3)



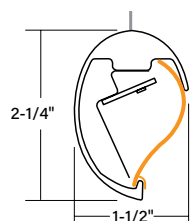
E3 is a slim LED accent luminaire delivering excellent illumination of vertical surfaces for interior applications. Advanced LED module design makes E3 a powerful solution for highlighting your best vertical features. Distribution and efficiency make E3 a strong luminaire selection for use in Task Vertical Ambient design schemes.

This product is enrolled in the International Living Future Institute (ILFI) Declare 2.0 Program and is third-party verified with options achieving **Red List Approved** and **Red List Declared** status.

Signal White is standard finish

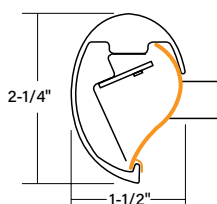
CROSS SECTION

Direct Pendant



Flush Downlight Diffuser (standard)

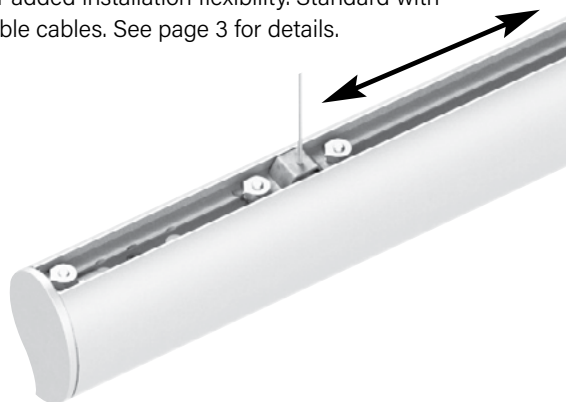
Direct Arm Mount



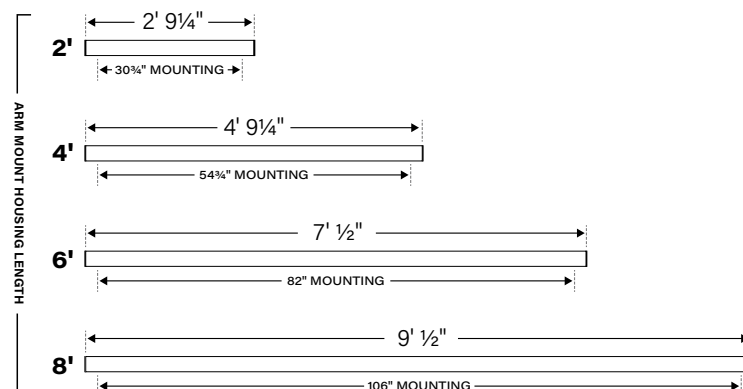
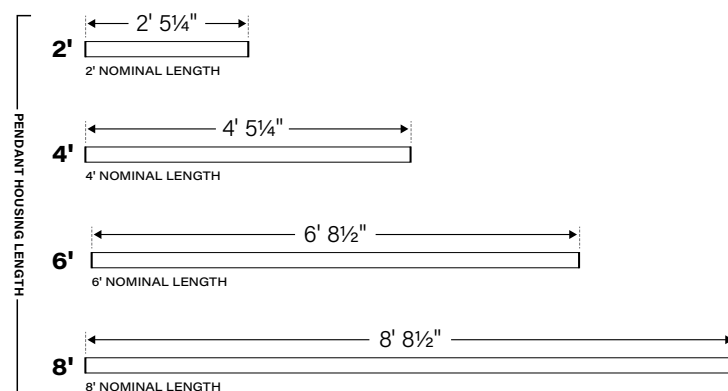
Flush Downlight Diffuser (standard)

ADJUSTABLE MOUNTING

Mounting points adjust along the entire length of the luminaire for added installation flexibility. Standard with adjustable cables. See page 3 for details.



LENGTHS



NOTE: measurements above include 0.125" endcaps on each end



Submitted by:		Date:
Type:	Project:	
Ordering Info:		

Elements of Design (E3)

BODY TYPE

OUTPUT and LED TYPE

Platform	Series Name	Luminaire Type	Luminaire Distribution	Length ¹	Downlight Output	LED CRI/CCT
E	3	P - Pendant AM - Arm Mount	WW D - Wall Wash Direct	2'	S - Standard (218 lm/ft)	830 - 80 CRI, 3000K
				4'	B - Boosted Standard (274 lm/ft)	835 - 80 CRI, 3500K
				6'	H - High (414 lm/ft)	840 - 80 CRI, 4000K
				8'	V - Very High (532 lm/ft)	930 - 90 CRI, 3000K
					TL - Tailored: _____lm/ft*	935 - 90 CRI, 3500K
					*Specify lm/ft of outputs between Standard (S) and Very High (V). Consult factory for tailored lumen output outside of this range.	940 - 90 CRI, 4000K

MECHANICAL/OPTICAL OPTIONS

ELECTRICAL OPTIONS

Downlight Option	Reflector System	Voltage	Circuiting ²	Driver Selection
F - Flush	96LG - 96 Low Gloss White	120 - 120 Voltage 277 - 277 Voltage	SC - Single Circuit One single circuit in a Luminaire	0-10V Driver Options OTi-10% - EldoLED OTi, 0-10V 10% (standard) OTi-10%-DTO - EldoLED OTi, 0-10V 10% Dim-to-Off OTi-1% - EldoLED OTi, 0-10V 1% OTi-1%-DTO - EldoLED OTi, 0-10V 1% Dim-to-Off

MOUNTING OPTIONS

OTHER OPTIONS

Mounting Method	Hardware	Endcap Style	Finish	Emergency Style	Special Options (Optional)
FA50-FM - Fully Adjustable 50" (Standard) ³	C1 - 15/16" T-Bar C2 - 9/16" T-Bar C3 - Screw Slot C4 - Hard Ceiling	FE - Flat Endcap	SW - Signal White	EM/GEN - Emergency to Generator NL - Night Light	CP - Chicago Plenum ⁶ RLA - Red List Approved RLD - Red List Declared
FA100-FM - Fully Adjustable 100" ³			FB - Finelite Black		
FA150-FM - Fully Adjustable 150" ³			SA - Satin Aluminum		
FA200-FM - Fully Adjustable 200" ³			#### - RAL Color Code ⁵		
FA250-FM - Fully Adjustable 250" ³					
FA300-FM - Fully Adjustable 300" ³					
AM12 - 12" Arm Mount ⁴					
AM18 - 18" Arm Mount ⁴					

¹ Nominal lengths for independent luminaires. Runs not available

² Contact factory for switching options

³ Pendant only

⁴ Arm Mount only

⁵ 20 business days lead time for color

⁶ Only available with C1, C2, and C3 mounting hardware with Finelite Gridbox

Submitted by:		Date:
Type:	Project:	
Ordering Info:		

Elements of Design (E3)

SPECIFICATIONS

BODY TYPE

CONSTRUCTION: 6063-T6 extruded aluminum body with plug-together wiring standard. Wire enclosure brackets constructed of 16 gauge steel.

LENGTHS: 2', 4', 6', and 8' nominal independent luminaire lengths. Runs not available. Contact factory for additional lengths.

OUTPUT AND LED TYPE

LIGHT OUTPUT: Four lumen packages available, Standard (S), Boosted Standard (B), High (H), and Very High (V). For Tailored Outputs outside of range from Standard (S) to Very High (V), consult factory. A separate chart summarizes lumen distribution and wattage. Light engines are replaceable.

LUMEN MAINTENANCE: 90% of initial light output (L90) at 100,000+ hours; 70% of initial light output (L70) at 200,000+ hours.

MECHANICAL FEATURES

REFLECTORS: Gloss white 96% reflective.

ELECTRICAL FEATURES

STATIC FEED: Micro 2-wire feed. 18-gauge/5-conductor single-circuit lead wire from power box to luminaire.

REMOTE DRIVER: Each luminaire powered by independent power box. Consult factory for powering multiple luminaires from one power box.

STATIC WHITE DRIVER: Replaceable 120V and 277V constant current reduction dimming driver standard. Can be wired dimming or non-dimming. 0-10V dimming controls with a range of 100%-10% standard. Dimming to 1% available.

- **Power Factor:** ≥ 0.9
- **Total Harmonic Distortion (THD):** <20%
- **Expected driver lifetime:** 100,000 hours

MOUNTING TYPE

MOUNTING:

- **Pendant:** 50" to 300" Fully Adjustable (FA) plated steel aircraft cable with safety stop hardware standard.
- **Arm Mount:** 12" (AM12) or 18" (AM18) arm mounting to vertical surface.

OTHER FEATURES

ENDCAPS: (FE) Flat endcap, aluminum die-cast endcap 0.125" at each end.

EMERGENCY STYLE: 120V or 277V prewired. Optional emergency to generator/inverter wiring and nightlight wiring available. Battery backups not available.

FINISHES: Finelite Signal White (SW) powder coat, Finelite Black (RAL 9005) with semi gloss fine texture (FB), and Satin Aluminum (SA) are standard. Optional Adder: 179 RAL colors¹ are available.

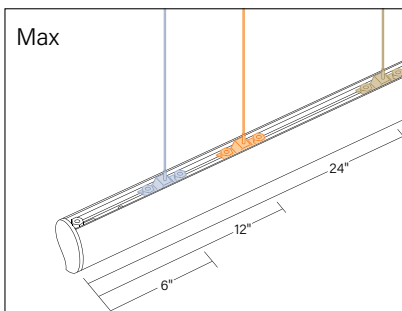
LABELS: Luminaire and electrical components are ETL-listed conforming to UL 2108 in the U.S.A. and CAN/CSA C22.2#9.0 in Canada. In accordance with NEC Code 410.130 (G), this luminaire contains an internal driver disconnect. UL 924 and -PoE options available on request, contact factory for more details. Damp Location. Power supply boxes are IC Rated and Chicago Plenum approved. Finelite products use electronic components that are RoHS compliant, and the mechanical components of the luminaire have been verified to not knowingly contain any restricted substances listed per RoHS Directive (EU) 2015/863. Finelite makes the specification process easy when putting healthier products on your projects. Simply add - **RLA** (Red List Approved) or - **RLD** (Red List Declared) to your part number.

WEIGHT: 0.6 lbs/ft.

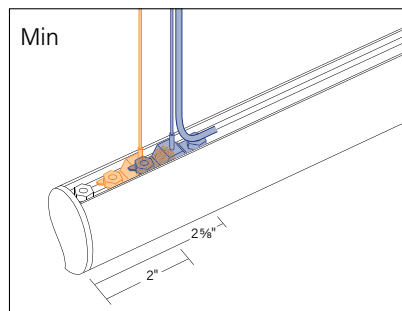
WARRANTY: 10-year performance-based warranty on all standard components. Optional accessories are covered by their individual manufacturer warranties.

¹ 20 business days lead time for color

FLEXIBLE MOUNTING PARAMETERS



Maximum suspension point distance from luminaire end per housing length.



Minimum suspension point distance from luminaire end with/without feed.

MAX/MIN SUSPENSION DISTANCE FROM LUMINAIRE END	
Luminaire length	Max distance
2'	6"
4' & 6'	12"
8'	24"
Feed / no feed	Min distance
No	2"
Yes	2 5/8"

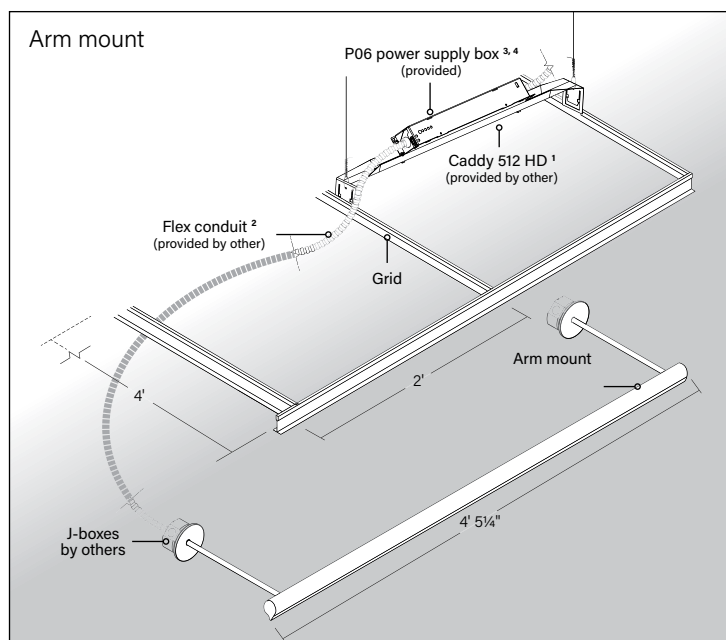
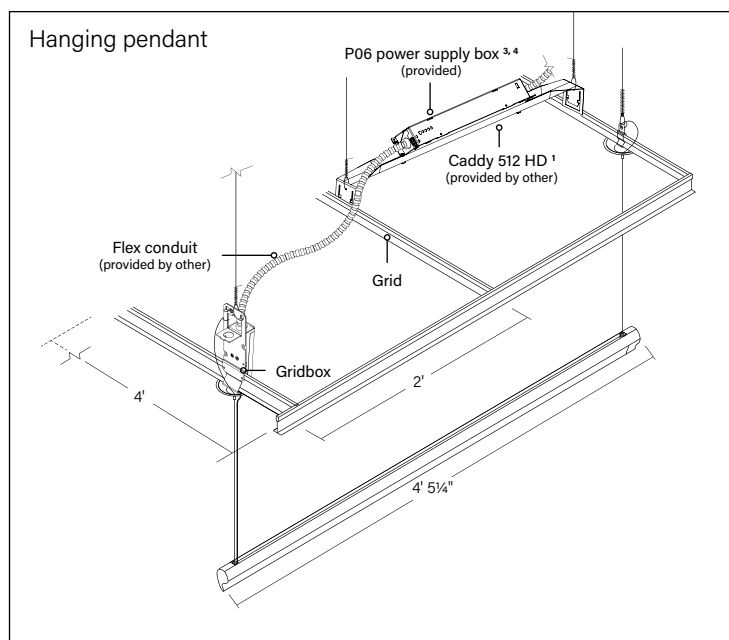
NOTE: measurements include 1/8" endcap.

Submitted by:		Date:
Type:	Project:	
Ordering Info:		

Elements of Design (E3)

POWER SUPPLY AND FEED BOX DIAGRAM

P06 power supply box is remote from gridbox.



¹ Mount to structure in location accessible for driver serving

² Remote; flex conduit runs from power supply box to in-wall arm mount J-Box

³ P06 Power box provided, Install in an accessible area

⁴ Consult factory for powering multiple luminaires from one power box

WIRE GAUGE SUGGESTIONS

Wire (by others) inside customer provided conduit (by others) for remote wiring to power supply box.

Wire Gauge (AWG)	Distance (ft.)	Pendant Feed Cable (in.)
12	85	50
	81	100
	77	150
14	52	50
	47	100
	43	150
18	17	50
	13	100
	9	150

Submitted by:		Date:
Type:	Project:	
Ordering Info:		

Elements of Design (E3)

Wall Wash Photometry - 4' Luminaire 3500K

E3-P-WW-D-4'-V-835

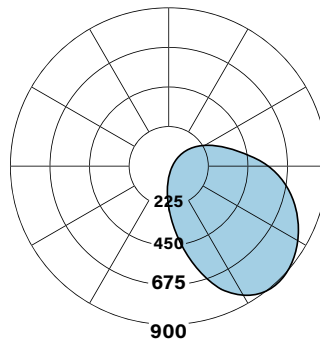
Efficacy: 109 lm/W

Total luminaire output: 2129 lumens
19.5 watts

Peak Candela Value: 898 @ 45°

CRI: 80 / CCT: 3500K

ITL LM79 Report 93801



CANDELA DISTRIBUTION						
	0.0	45.0	90.0	135.0	180.0	FLUX
0	264	264	264	264	264	
5	376	340	265	196	169	26
15	611	497	258	86	47	84
25	795	627	243	29	4	150
35	887	699	217	2	1	213
45	898	703	179	0	0	256
55	870	655	133	0	0	272
65	813	579	85	0	0	266
75	730	491	42	0	0	239
85	619	398	12	0	0	200
90	559	354	0	0	0	
95	494	309	0	0	0	155
105	376	231	0	0	0	112
115	284	165	0	0	0	76
125	204	109	0	0	0	47
135	132	51	0	0	0	24
145	59	21	0	0	0	9
155	22	9	0	0	0	2
165	7	1	0	0	0	0
175	0	0	0	0	0	0
180	0	0	0	0	0	0

Sample Lumen Adjustment Calculation

Lumen Adjustment Factors 80 CRI

3000K 0.985

3500K 1.000

4000K 1.032

Lumen Adjustment Factors 90 CRI

3000K 0.746

3500K 0.760

4000K 0.789

High Output (H), 4000K, 90 CRI

Lumen Adjustment Factor: 0.789

Total Light Output: 1656 lm x 0.789 = 1307 lm

Total Light Output per Foot: 414 lm x 0.789 = 327 lm
watts/foot: 3.7 W/ft.

$$\text{Efficacy} = \frac{327 \frac{\text{lm}}{\text{ft}}}{3.7 \frac{\text{W}}{\text{ft}}} = 88 \text{ lm/W}$$

Total Light Output, 3500K, 80 CRI (Lumens) - 4' Luminaire

S'	B'	H'	V²
872	1096	1656	2129

Light Output, 3500K, 80 CRI (Lumens Per Foot)

S'	B'	H'	V²
218	274	414	532

Power, 3500K, 80 CRI (Watts Per Foot)

S'	B'	H'	V²
1.9	2.4	3.7	4.9

Efficacy, 3500K, 80 CRI (Lumens Per Watt)

S'	B'	H'	V²
114	113	111	109

S - Standard Output, B - Boosted Standard Output, H - High Output, V - Very High Output

¹ Based on 4' luminaire 3500K Very High Output (V) test - 120V

² Based on ITL report: 93801

Application - 4' Luminaire 3500K

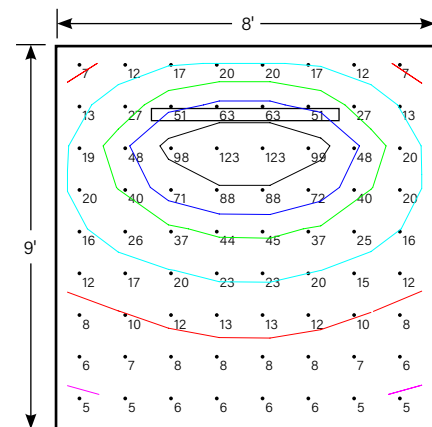
Total luminaire output: 2129 lumens

Luminaire length: 4'

To Bottom of the luminaire: 7'-6"

Room reflectances: 80-50-20

Maintained illuminance levels: LLF 1.00"



Average	Max	Min	Avg/Min	Max/Min
27.9	123	5	5.59	24.60

Wattage is Real Power. If you would like additional details to calculate Apparent Power, please contact your local Finelite representative.

Submitted by:		Date:
Type:	Project:	
Ordering Info:		

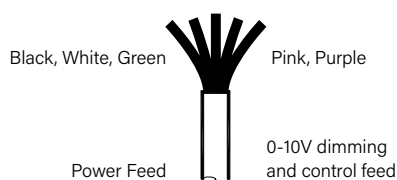
0-10V Dimming

Finelite's contractor friendly luminaires are available at low cost, with powerful and simple intensity controls.

FEATURES

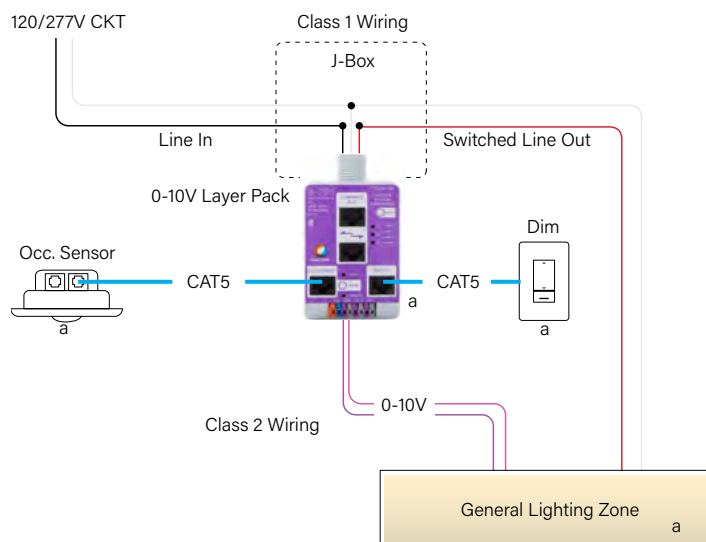
- Dimming Range: 100% to 1%
- CRI Options: 80 CRI or 90 CRI

FEED DETAIL



WIRING LEGEND		
Black	Hot	Line Voltage
White	Neutral	Line Voltage
Green	Ground	
Pink	Dimming	0-10V DC
Purple	Dimming	0-10V DC

WIRING DIAGRAM - DIMMABLE TO 1%



Luminaire Wiring

- **Purple (+) / Pink (-)** control wires are for intensity control

Note:

Load or Dim to Off options available.