

Pendant Mounting and Feed Guide

E3



FINELITE®
Better Lighting

Customer: _____ Job: _____ PO: _____

SUSPENSION

Adjustable Bracket

- 50" Standard
89512
- 100" Standard
89153
- 150" Standard
89514
- Custom

POWER FEED

Standard Single feed

POWER / NON-POWER CONNECTION AND SUPPORT

Finelite GridBox™
Flex supplied by others

89330

GridBox™
Connection
Tegular Tile

89335

3.5" Canopy

89333

Hardware compatible with 3 1/2" octagonal J-Box. Consult Finelite Customer Service for pricing on all options.

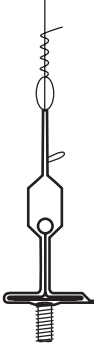



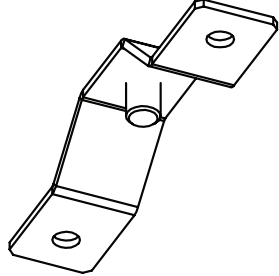
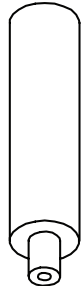
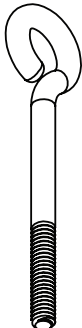
Pendant Mounting and Feed Guide

E3



FINELITE®
Better Lighting

Customer: _____ Job: _____ PO: _____

MOUNTING HARDWARE			
<input type="checkbox"/> On-Grid 1" T-Bar Support 94001  <p style="text-align: center;">C1</p>	<input type="checkbox"/> On-Grid 9/16" T-Bar Support 94020  <p style="text-align: center;">C2</p>	<input type="checkbox"/> On-Grid 9/16" Screw Slot T-Bar Support 94029  <p style="text-align: center;">C3</p>	<input type="checkbox"/> 9/16" Screw Slot HD with Extended Stud for Tegular Tile 94029 & 94067 
<input type="checkbox"/> Pendant Mount Bracket with Stud 68009 	<input type="checkbox"/> Side Exit Gripper Grip Lock Systems 68129 	<input type="checkbox"/> Eye Bolt 92055 	

Hardware compatible with 3 1/2" octagonal J-Box. Consult Finelite Customer Service for pricing on all options.

Pendant Mounting and Feed Guide

E3

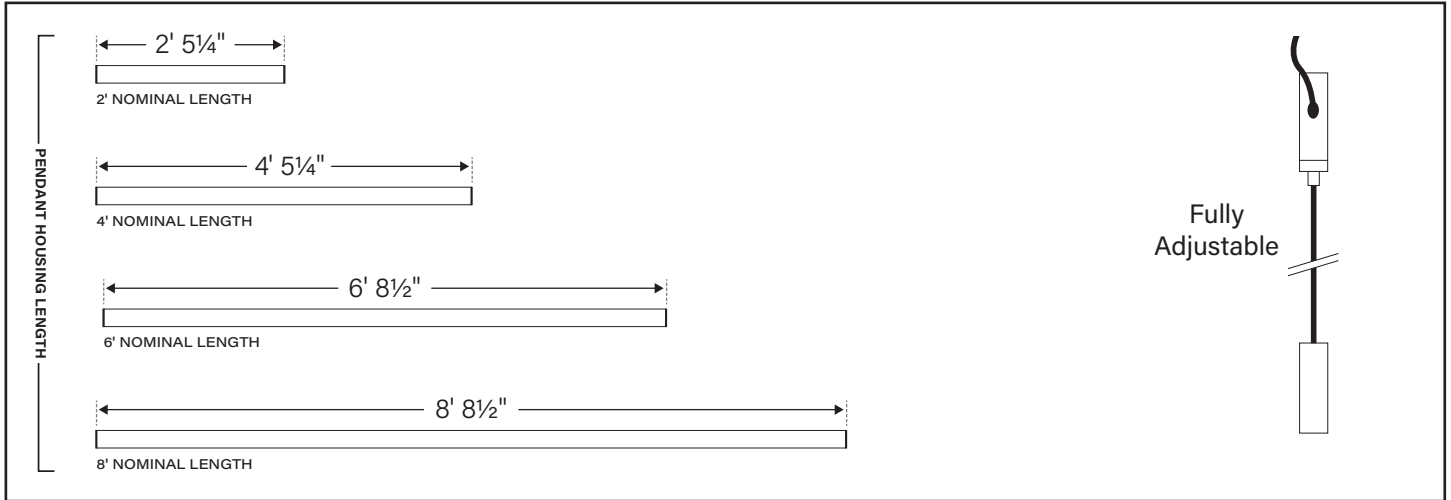


FINELITE®
Better Lighting

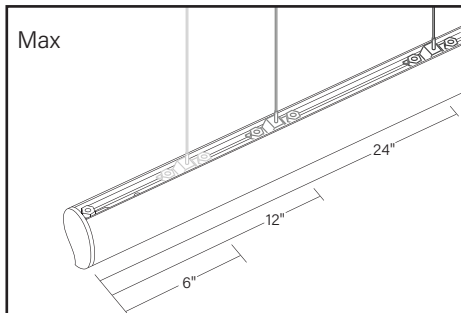
Customer: _____ Job: _____ PO: _____

Standard Fixture Lengths

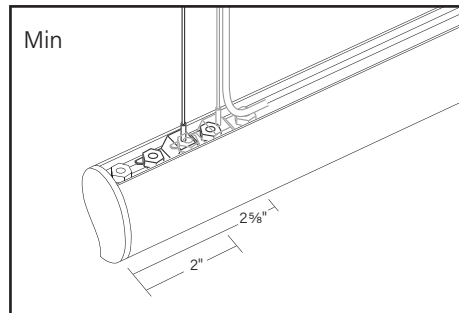
Nominal lengths for independent luminaires. Runs not available.



Flexible Mounting Parameters



Maximum suspension point distance from luminaire end per housing length.



Minimum suspension point distance from luminaire end with/without feed.

MAX/MIN SUSPENSION DISTANCE FROM LUMINAIRE END	
Luminaire length	Max distance
2'	6"
4' & 6'	12"
8'	24"
Feed / no feed	Min distance
No	2"
Yes	2 5/8"

NOTE: measurements above include 0.125" endcaps on each end