

HP-4 Wet Location Recessed Spackle & Visible Flange Installation Instructions

Overview

NOTES

- All power connections should be installed according to local/national codes by a Certified Electrician.
- This installation requires **proper support** as each luminaire is being installed.
- **DO NOT attempt to join luminaires together on the floor.** Damage may result when lifted.



HELPFUL
VIDEOS



Effortless
Access



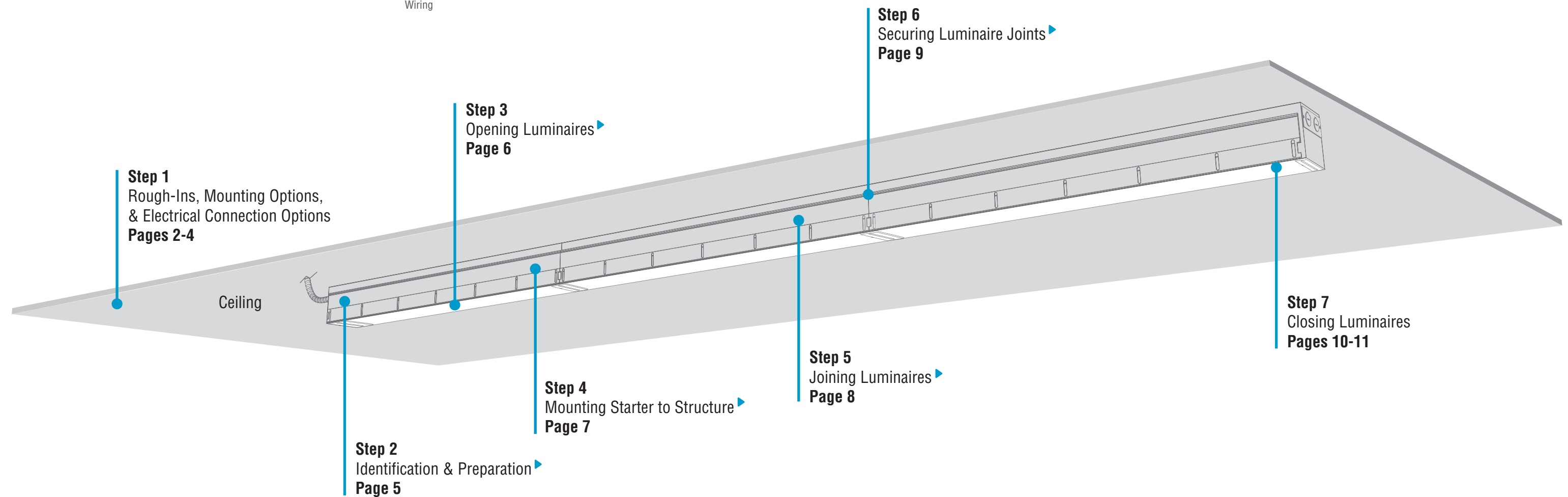
0-10V
Dimming



Universal &
Robust Joints



Simple
Plug-Together
Wiring



HP-4 Wet Location Recessed Spackle & Visible Flange Installation Instructions

Step 1 - Rough-Ins, Mounting Options, & Electrical Connection Options

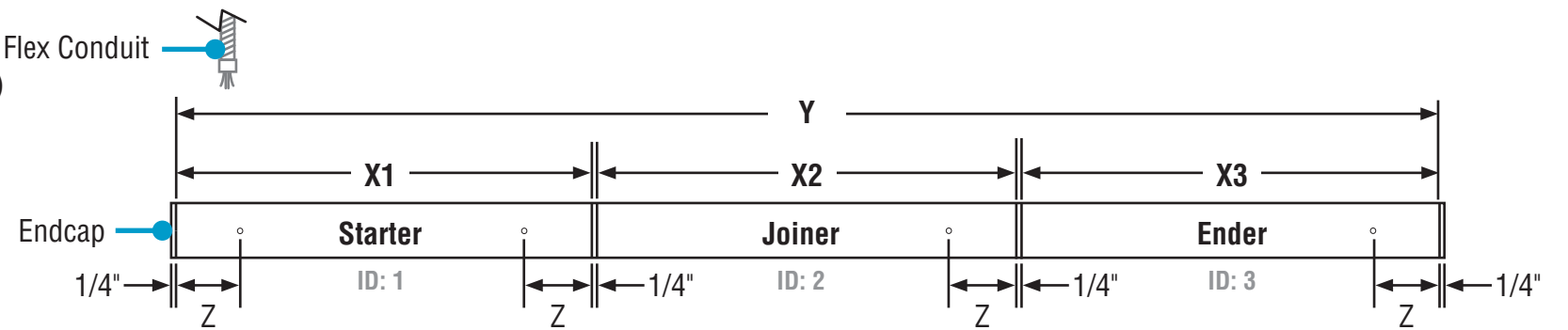
Mount Starter to Structure

X = Luminaire section length (**Does not include** endcaps or joint adapters)
Y = Total run length of luminaire (**Does not include** endcaps)
Z = Mounting hole location (**Does not include** endcaps or joint adapters)

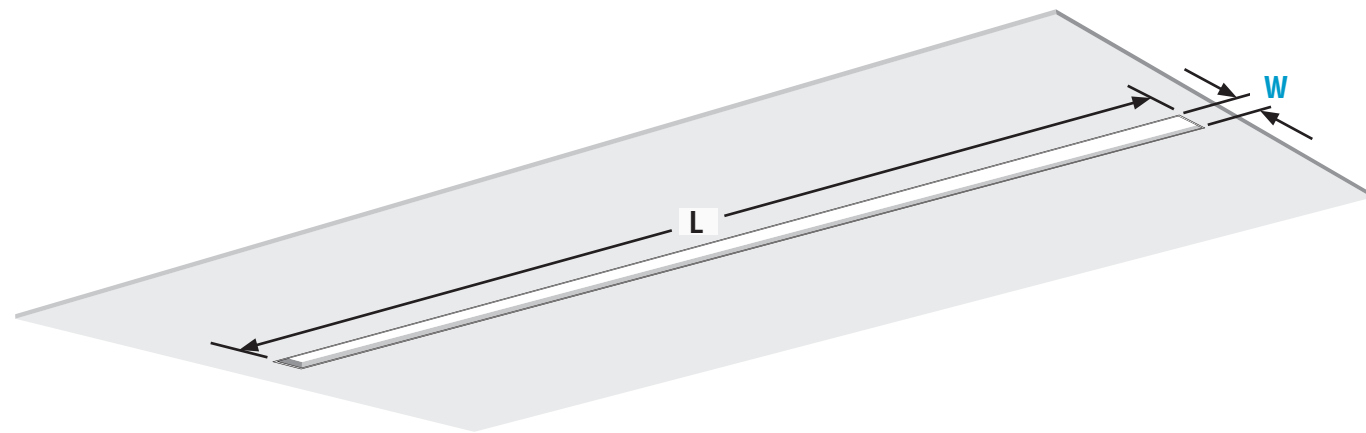
Refer to Record Drawings and building plans to determine luminaire locations, exact wall/ceiling rough-in dimensions, luminaire mounting hole locations and power feed locations.

	Z = Mounting Hole Location (Does not include endcaps or joint adapters)
HP-4	6"

Wet Rated Flex Conduit
(by others)



Rough-In Lengths

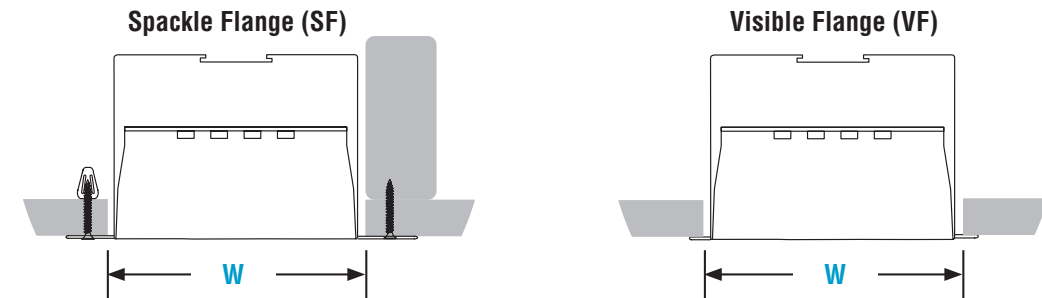


L = Total Run Rough-In Length*
(+1/4" per joint adapter)

	Spackle Flange	Visible Flange
HP-4	Y + 1-1/8"	Y + 7/8"

* Tolerance +/- 1/16"

Rough-In Widths



W = Rough-In Width*

	Spackle Flange	Visible Flange
HP-4	4-7/8"	4-1/4"

* Tolerance +/- 1/16"

- Use rough-in **Length & Width** dimensions and Record Drawings to determine rough-in measurements.
- Build wall/ceiling with rough-in according to rough-in dimensions.¹
- **CRITICAL:** Drywall or weak paneling must be secured to blocking (studs) around rough-in opening in the wall/ceiling.²
- Install wet rated electrical conduit to feed locations.

CONTINUED

¹ Wall/ceiling surface = wood, concrete or masonry, metal panels, tile, etc.

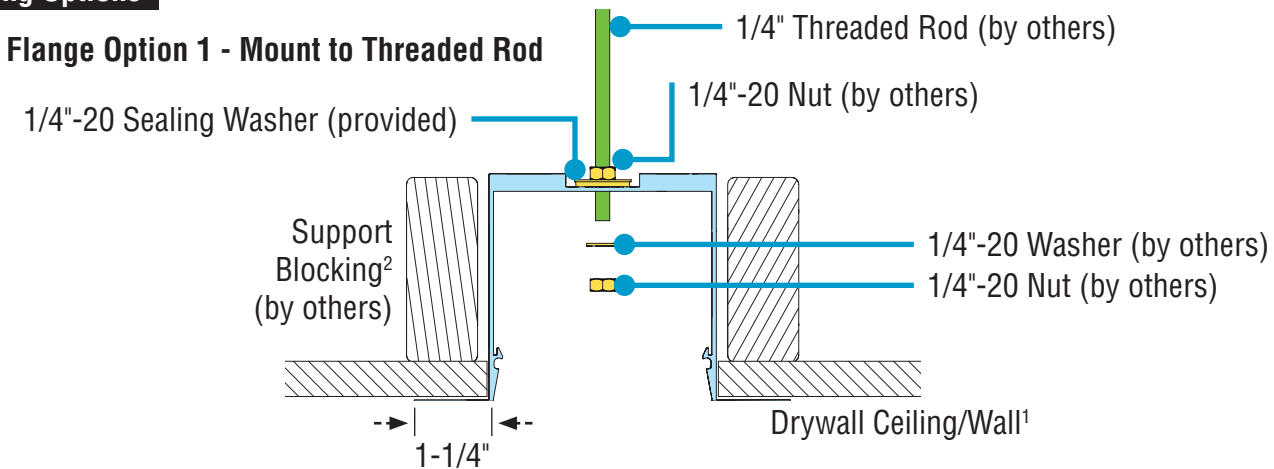
² Support blocking = wooden beams/studs, sheet metal framing beams, steel beams, concrete beams, etc. Use hardware appropriate to the beam material.

HP-4 Wet Location Recessed Spackle & Visible Flange Installation Instructions

Step 1 - Rough-Ins, Mounting Options, & Electrical Connection Options

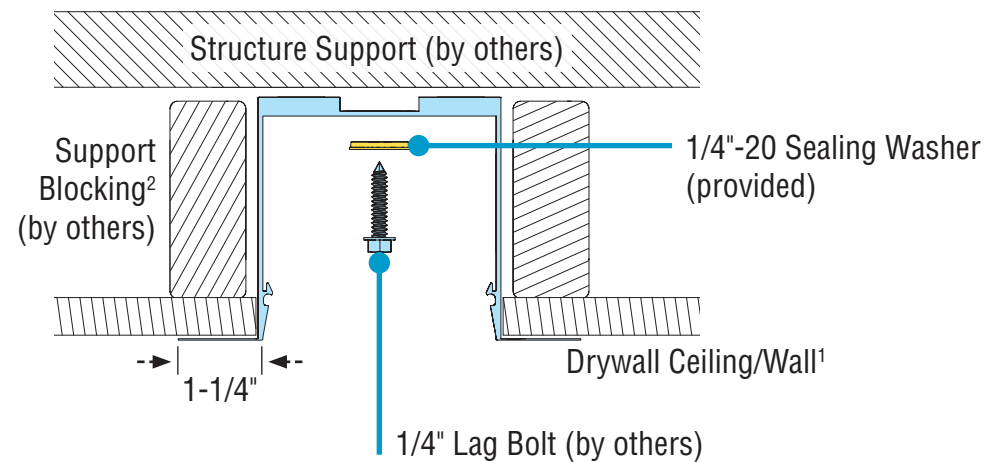
Mounting Options

Spackle Flange Option 1 - Mount to Threaded Rod



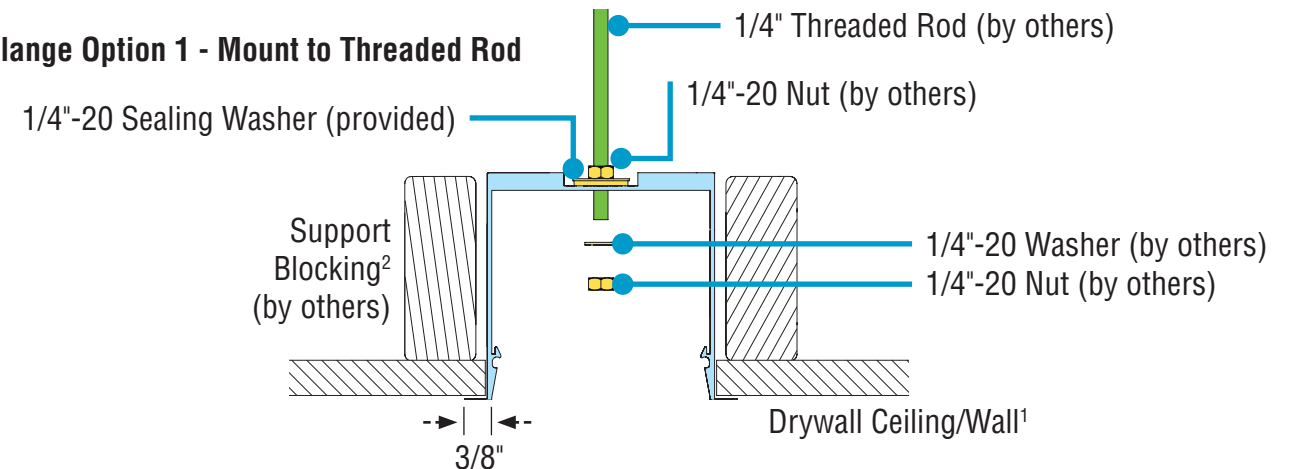
- Luminaire mounting holes sized for 1/4"-20 threaded rod.
- Refer to Record Drawings to determine mounting hole locations on luminaires and install threaded rods to structure.
- Distance from threaded rod to wall/ceiling surface¹ must be a minimum of 3-1/2".

Spackle Flange Option 2 - Mount to Structure



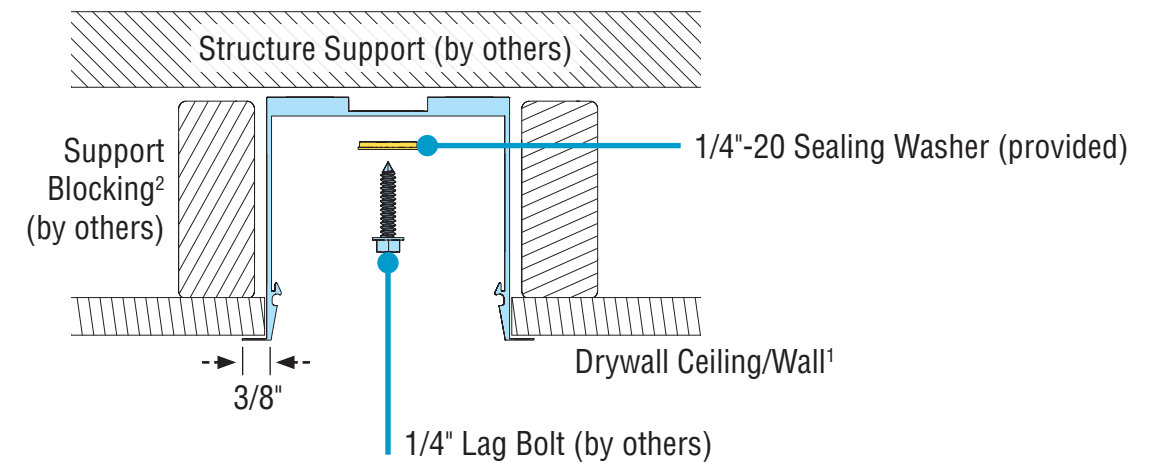
- Refer to Record Drawings to determine mounting hole locations on luminaires and install support blocking² to structure.
- Distance from support block to wall/ceiling surface¹ must be a minimum of 4-1/8".

Visible Flange Option 1 - Mount to Threaded Rod

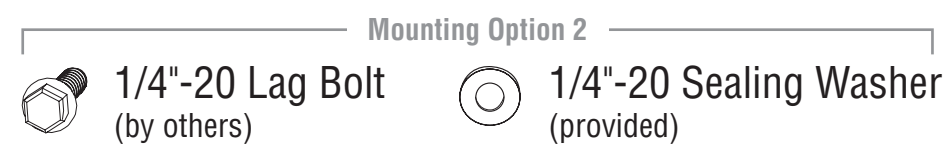
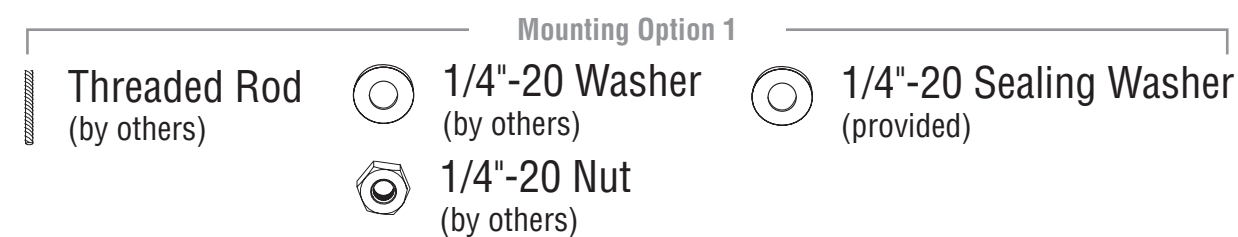


- Luminaire mounting holes sized for 1/4"-20 threaded rod.
- Refer to Record Drawings to determine mounting hole locations on luminaires and install threaded rods to structure.
- Distance from threaded rod to wall/ceiling surface¹ must be a minimum of 3-1/2".

Visible Flange Option 2 - Mount to Structure



- Refer to Record Drawings to determine mounting hole locations on luminaires and install support blocking² to structure.
- Distance from support block to wall/ceiling surface¹ must be a minimum of 4-1/8".



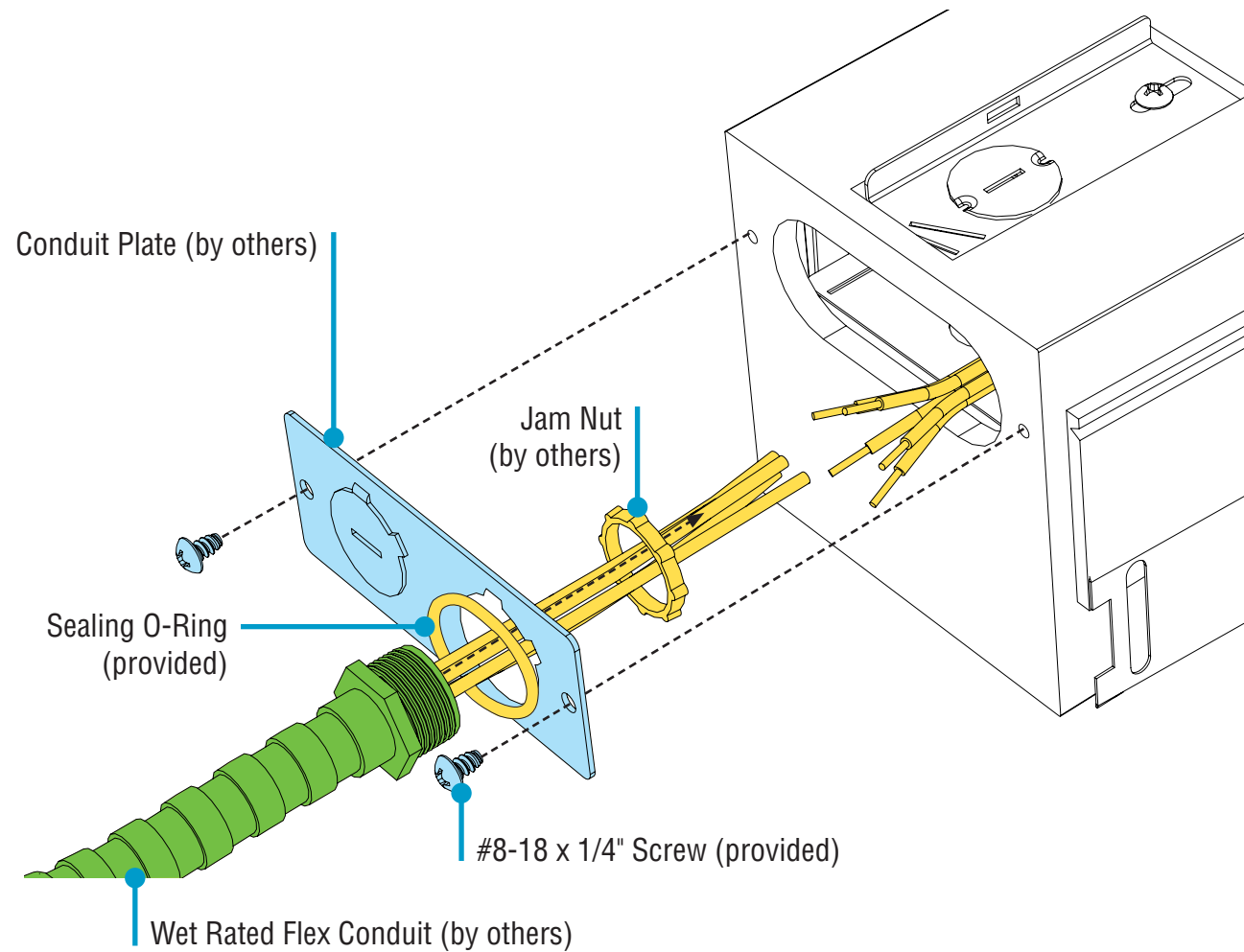
¹ Wall/ceiling surface = drywall, wood, concrete or masonry, metal panels, tile, etc.

² Support blocking = wooden beams/studs, sheet metal framing beams, steel beams, concrete beams, etc. Use hardware appropriate to the beam material.

HP-4 Wet Location Recessed Spackle & Visible Flange Installation Instructions

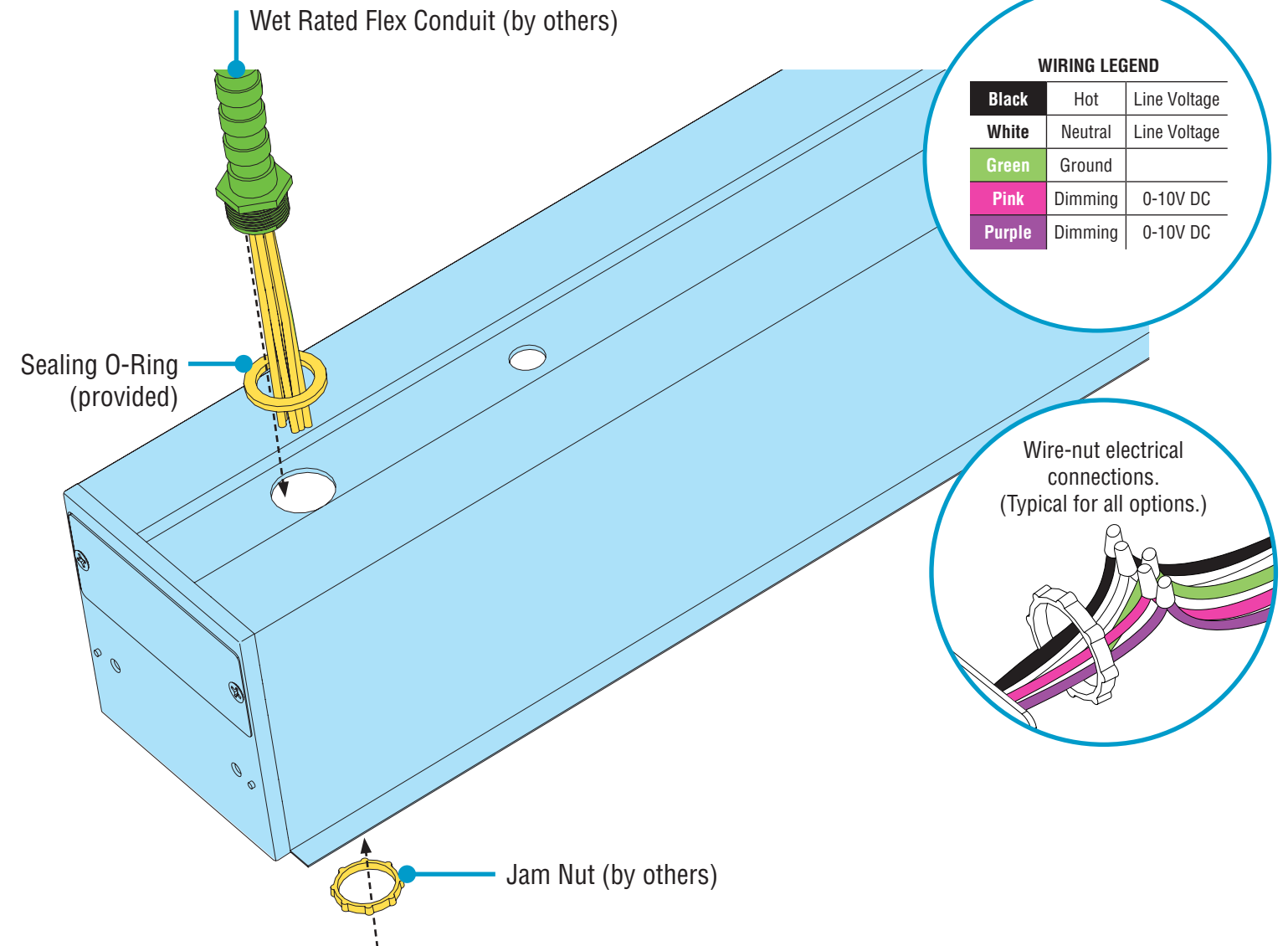
Step 1 - Rough-Ins, Mounting Options, & Electrical Connection Options

Electrical Connection Options Top-Down View



CONDUIT PLATE - ENDCAP

- Remove two screws holding conduit plate.
- Install wet rated conduit, sealing o-ring, and jam nut onto conduit plate.
- Wire-nut electrical connections. See wiring legend above.
- Reinstall conduit plate and screws. Do not damage any wires.



WIRING LEGEND

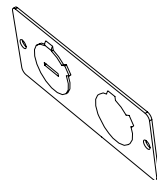
Black	Hot	Line Voltage
White	Neutral	Line Voltage
Green	Ground	
Pink	Dimming	0-10V DC
Purple	Dimming	0-10V DC

POWER FEED FROM TOP (HP-4 ONLY)

- Install wet rated conduit, sealing o-ring, and nut onto the luminaire.
- Wire-nut electrical connections. See wiring legend above.



Wet Rated Flex Conduit
(by others)



Conduit Plate
(by others)



Jam Nut
(by others)



Sealing O-Ring
(provided)



#8-18 x 1/4" Screw
(provided)



0-10V
Dimming

HP-4 Wet Location Recessed Spackle & Visible Flange Installation Instructions

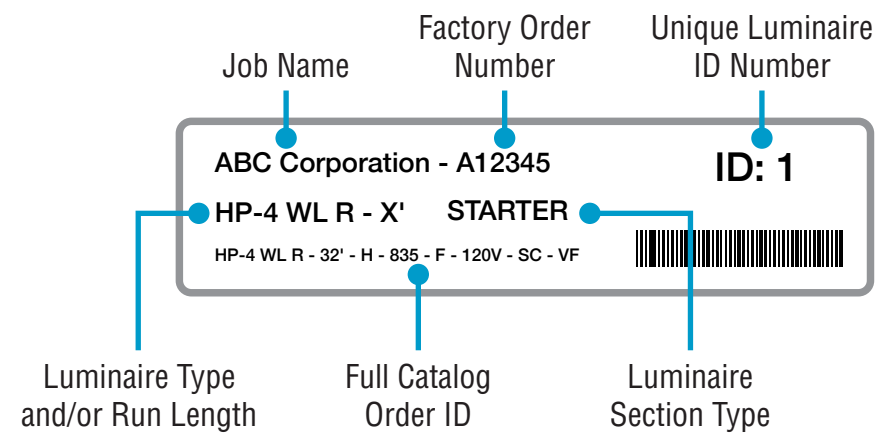
Step 2 - Identification & Preparation

A. Identify Luminaires



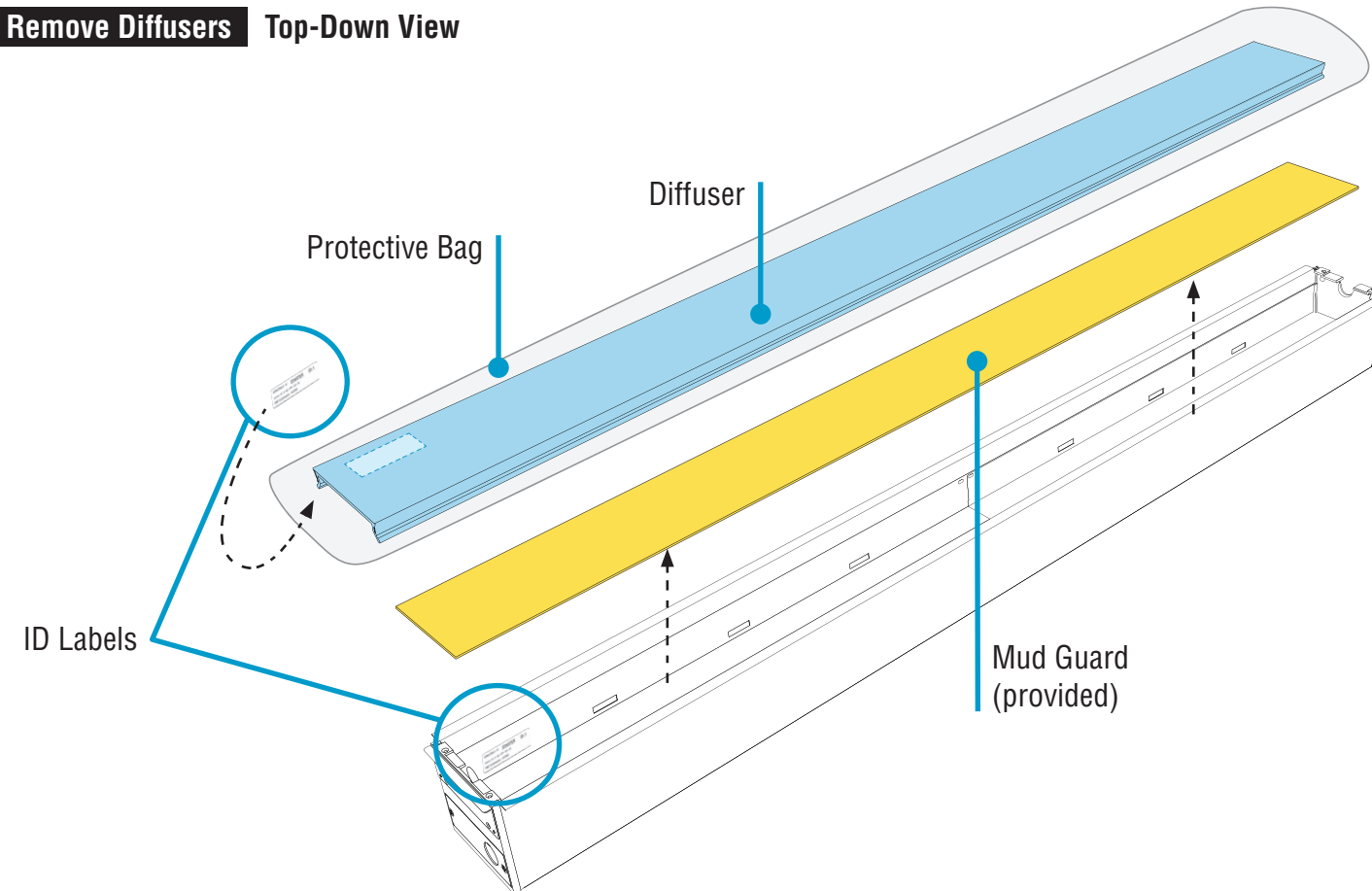
Arrange luminaires in order according to ID# at their install locations.

CAUTION



- Identify all luminaires by their ID label that can be found on the box, on the diffuser, and inside the luminaire.
- **NOTE:** Exact location of labels in these areas may vary.
- Remove all luminaires from their box.
- Refer to Record Drawings that can be found in the hardware kit.

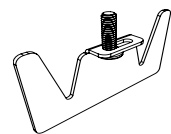
C. Remove Diffusers Top-Down View



- Carefully remove all diffusers, keeping them inside their protective bags.
- Set aside all diffusers to prevent them from getting dirty or damaged.
- Ensure diffusers can be clearly identified back to their corresponding luminaire.
- **CAUTION (Spackle Flange Only):** Carefully remove "Mud Guards" and set aside for installation in Step 7B.

Kitted Hardware

- Finelite has provided items listed here, with their Finelite part numbers. These items can be found in separate boxes shipped with the luminaire.
- Account for all parts and set aside until they are needed.
- All other hardware needed for this installation will be by others.



Yoke Bracket

Part# 43659

Washer

Part# 94111

#10-32 x 5/8" Screw

Part# 94144
Securing Luminaire Joints
p. 9, Step 6



Sealing O-Ring

Part# 43696
Diameter of thread = 0.7875"
Rough-Ins & Mounting Options
p. 4, Step 1



1/4"-20 Sealing Washer

Part# 76407
Rough-Ins & Mounting Options
p. 3, Step 1
Mounting Starter to Structure
p. 7, Step 4
Joining Luminaires
p. 8, Step 5



Diffuser Screw

#6-32 x 3/8" Screw - Part# 76404

Identification & Preparation
p. 5, Step 2
Closing Luminaires
p. 11, Step 7



#8-18 x 1/4" Screw

Part# 69026
Rough-Ins & Mounting Options
p. 4, Step 1



Screw Cover

Part# 43637
Identification & Preparation
p. 5, Step 2
Closing Luminaires
p. 11, Step 7



Endcap Diffuser Cover

Part# 43738
Identification & Preparation
p. 5, Step 2
Closing Luminaires
p. 11, Step 7



Joint Diffuser Cover

Part# 43740
Identification & Preparation
p. 5, Step 2
Closing Luminaires
p. 11, Step 7



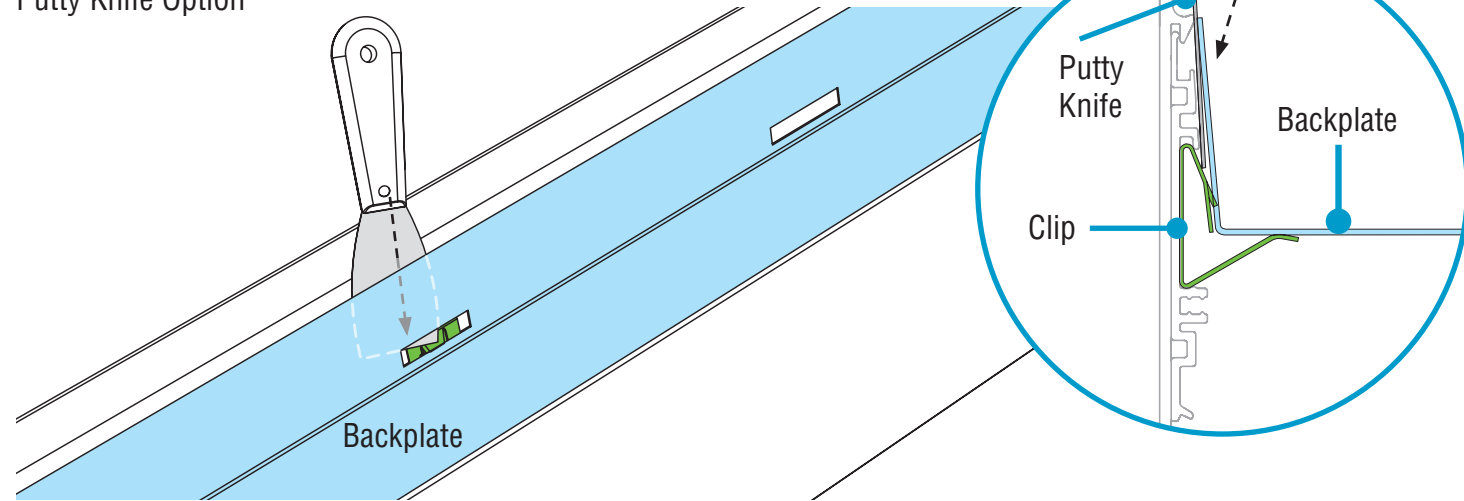
Effortless Access

HP-4 Wet Location Recessed Spackle & Visible Flange Installation Instructions

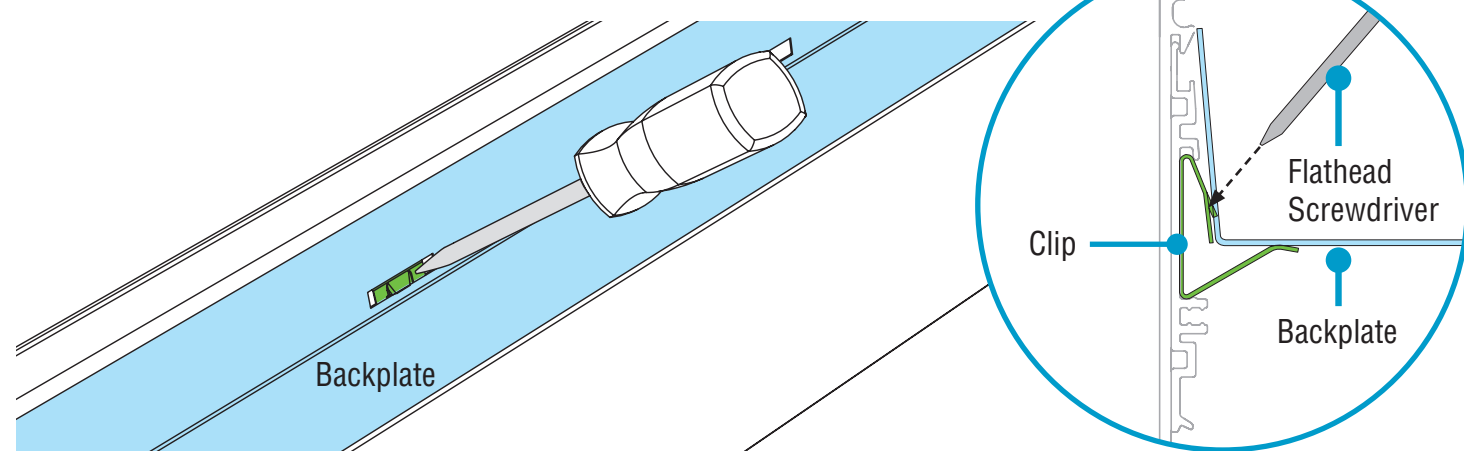
Step 3 - Opening Luminaires

Release Backplates Top-Down View

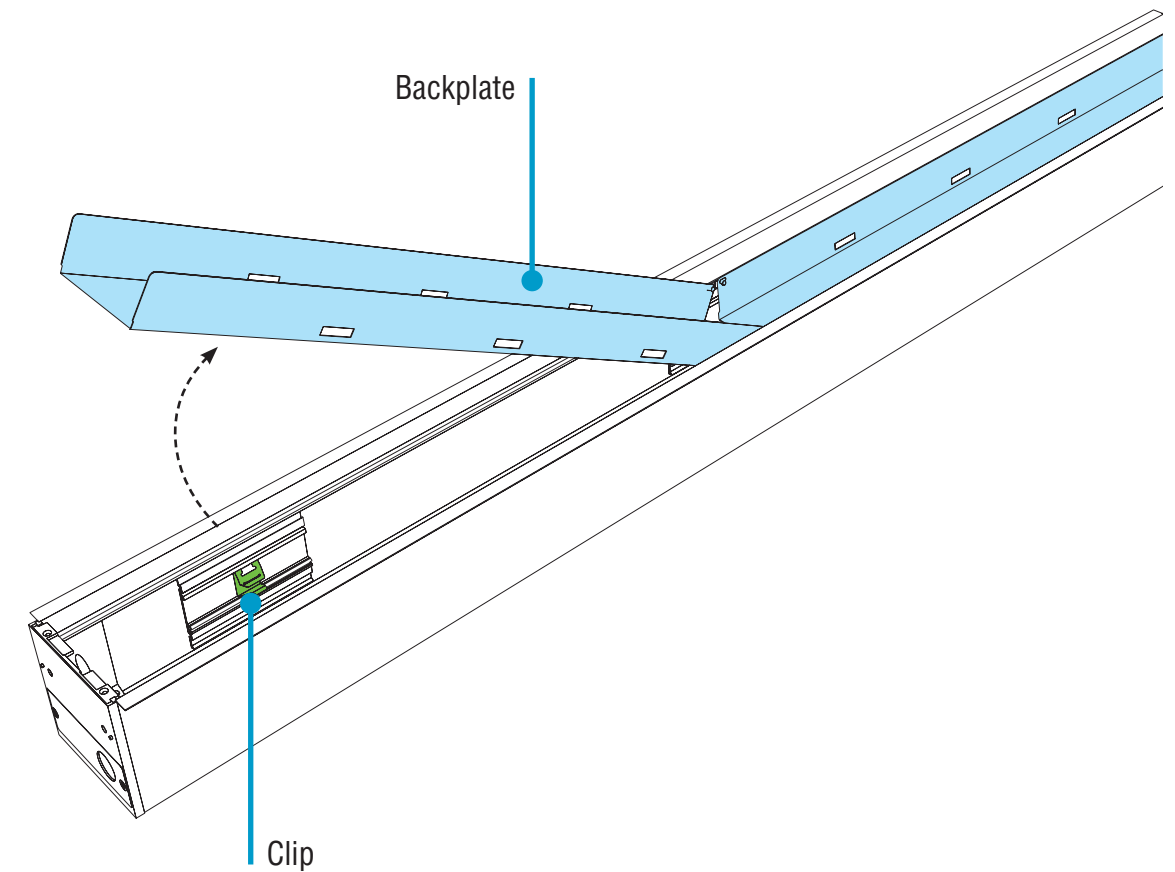
Putty Knife Option



Flathead Screwdriver Option



- Open all backplates for access to mounting points.
- Release the backplates from clips by sliding the blade of a putty knife behind backplate edges.
- To use a flathead screwdriver: From inside backplate, press end of screwdriver against the clip until the backplate is released.



- Carefully rotate backplates out and let them hang from luminaire body.

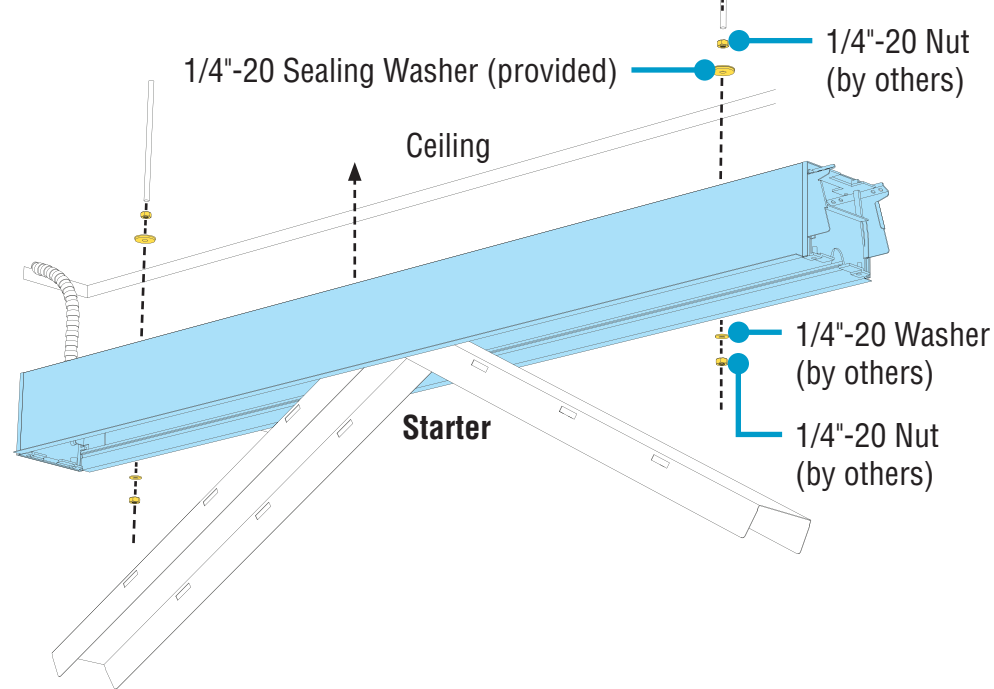


Effortless
Access

HP-4 Wet Location Recessed Spackle & Visible Flange Installation Instructions

Step 4 - Mounting Starter to Structure

A. Mount Starter to Structure Bottom-Up View



Option 1 (Shown) - Mount to Threaded Rod

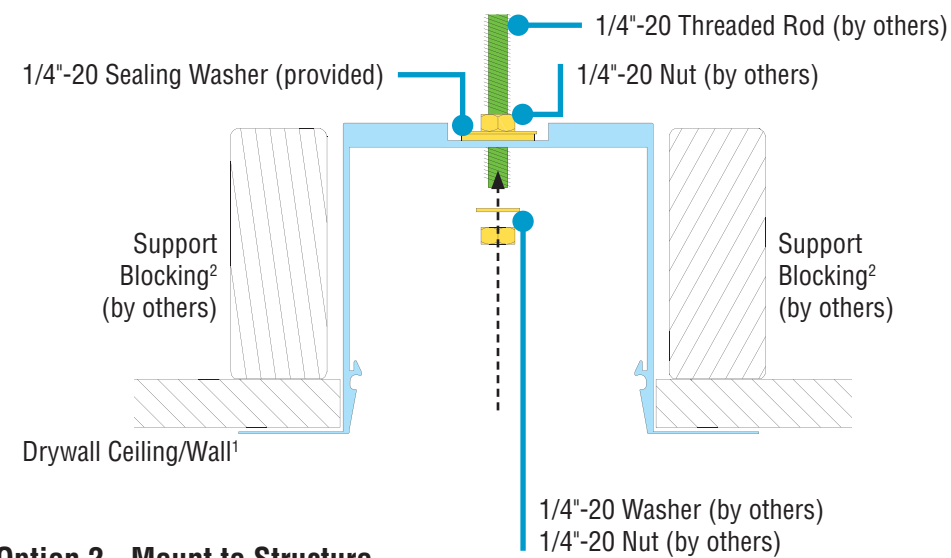
- While properly supporting luminaire, make electrical connections at ENDCAP or at TOP.
- Align threaded rods with mounting holes and slide luminaire into wall/ceiling.
- Install 1/4"-20 nut and 1/4"-20 washer onto 1/4"-20 threaded rod.
- **NOTE:** If installing a joiner luminaire in the next step, leave the nut loose, allowing the luminaire to hang out of ceiling at an angle.
- If there is no joiner/ender, then tighten nuts fully. **PROCEED TO STEP 7.**

Option 2 - Mount to Structure

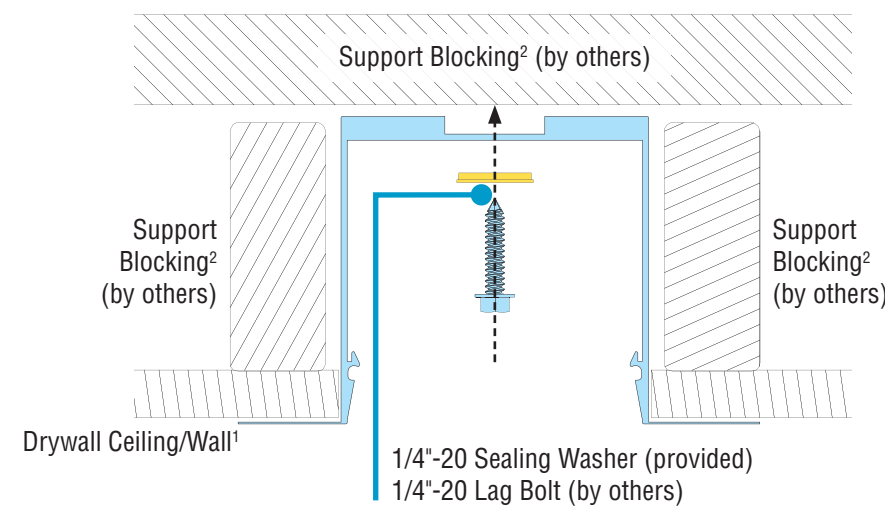
- While properly supporting luminaire, make electrical connections at ENDCAP or at TOP.
- Slide luminaire into wall/ceiling and mount to structure support with hardware appropriate for the structure type.
- **NOTE:** If installing a joiner luminaire in the next step, leave the bolt/screw loose, allowing luminaire to hang out of ceiling at an angle.
- If there is no joiner/ender, then tighten nuts fully. **PROCEED TO STEP 7.**

Spackle Flange Side View

Option 1 (Shown) - Mount to Threaded Rod

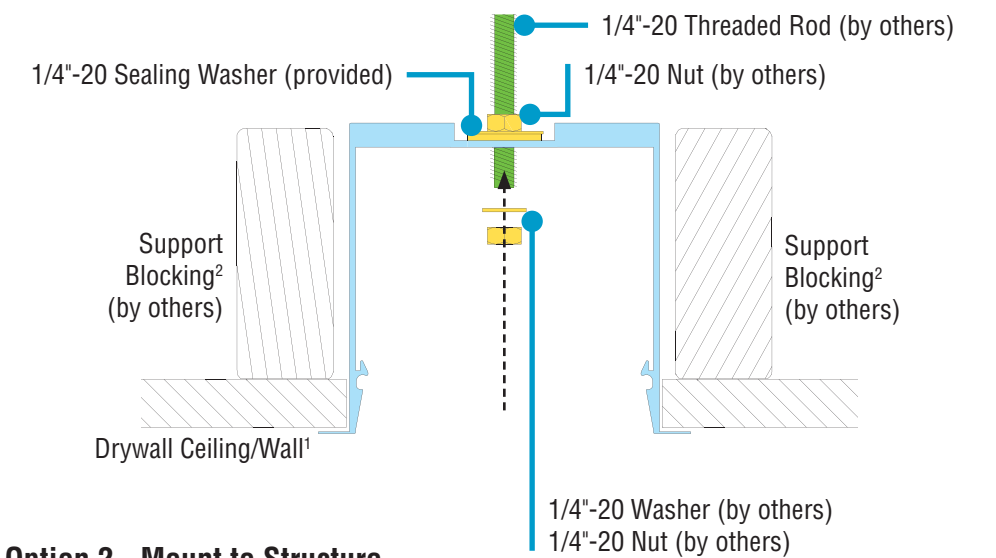


Option 2 - Mount to Structure

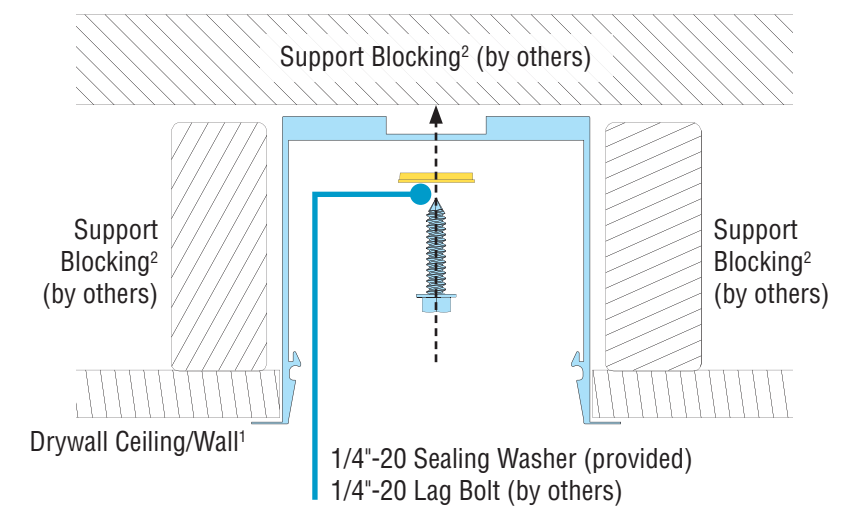


Visible Flange Side View

Option 1 (Shown) - Mount to Threaded Rod



Option 2 - Mount to Structure



Mounting Option 1

Threaded Rod
(by others)



1/4"-20 Washer
(by others)



1/4"-20 Sealing Washer
(provided)



1/4"-20 Nut
(by others)

Mounting Option 2



1/4"-20 Lag Bolt
(by others)



1/4"-20 Sealing Washer
(provided)

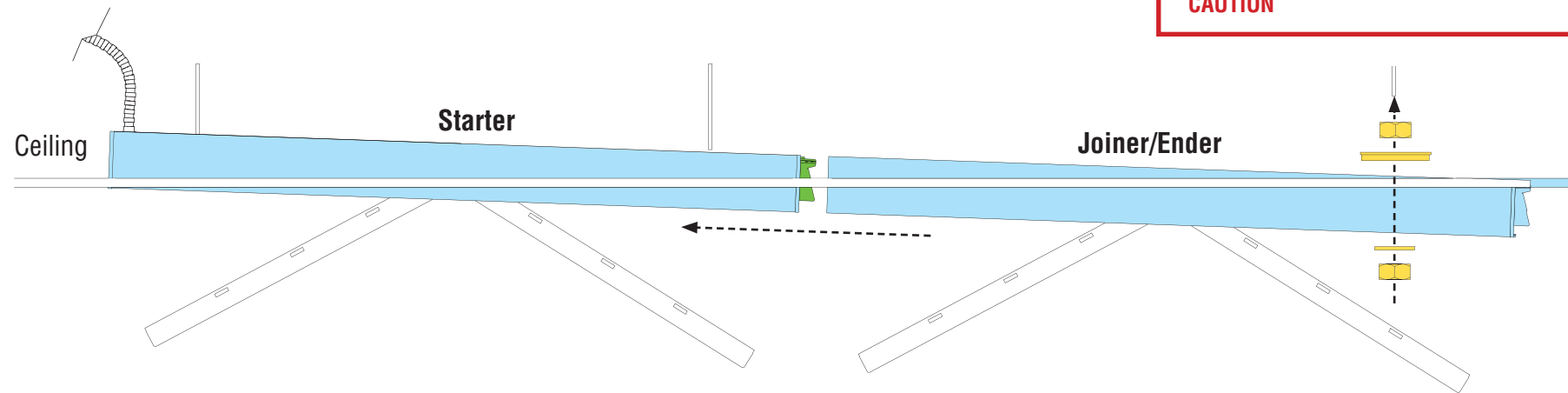
¹ Wall/ceiling surface = drywall, wood, concrete or masonry, metal panels, tile, etc.

² Support blocking = wooden beams/studs, sheet metal framing beams, steel beams, concrete beams, etc. Use hardware appropriate to the beam material.

HP-4 Wet Location Recessed Spackle & Visible Flange Installation Instructions

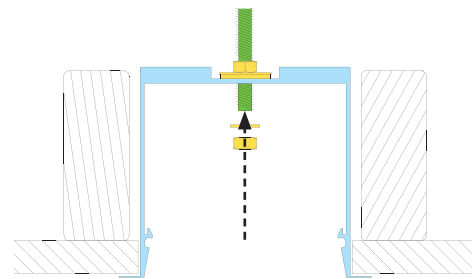
Step 5 - Joining Luminaires

A. Mount Joiner/Ender to Structure Side View



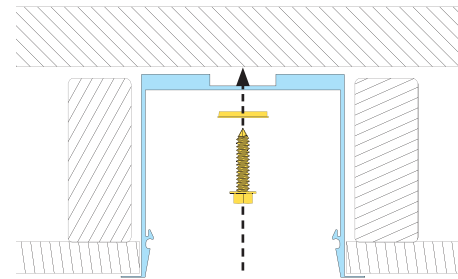
CAUTION **DO NOT** attempt to join luminaires together on the floor. Damage may result when lifted. Follow these instructions.

- While properly supporting luminaire, maneuver luminaire near wall/ceiling opening.
- If necessary, loosen bolts on previous luminaire so that it can hang out of the opening at an angle.
- After installing a joiner, return to previous luminaire and tighten.



Option 1 (Shown) - Mount to Threaded Rod

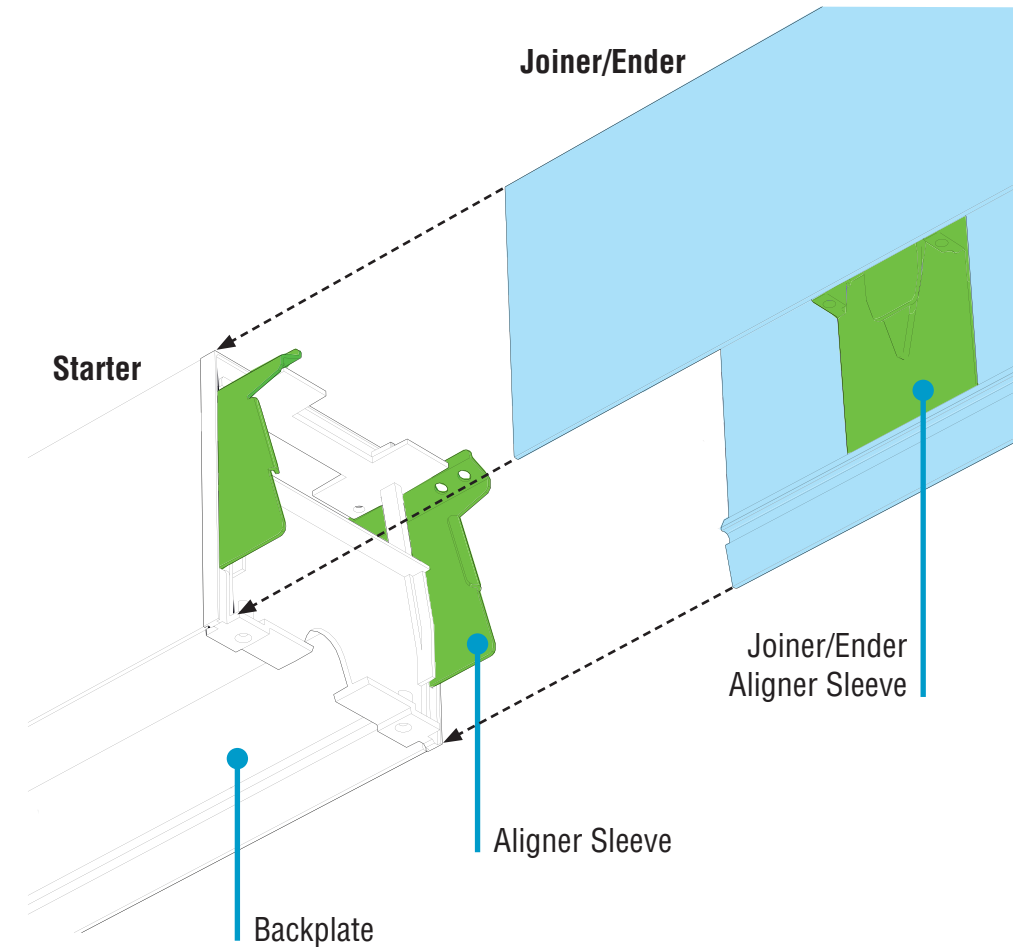
- Align threaded rods with mounting holes and slide luminaire into wall/ceiling.
- Install 1/4"-20 nut and 1/4"-20 washer onto 1/4"-20 threaded rod.
- **CRITICAL:** If installing a joiner luminaire in the next step, leave the nut loose, allowing the luminaire to hang out of ceiling at an angle.
- If there is no joiner/ender, then tighten nuts fully.



Option 2 - Mount to Structure

- Slide luminaire into wall/ceiling and mount to structure support with hardware appropriate for the structure type.
- **CRITICAL:** If installing a joiner luminaire in the next step, leave the bolt/screw loose, allowing luminaire to hang out of ceiling at an angle.
- If there is no joiner/ender, then tighten bolts/screws fully.

B. Join Luminaires Bottom-Up View



- Align joiner/ender with aligner sleeves on starter and slide together. Be careful not to damage any wiring.
- If necessary, **lift** both luminaires, then slide together.

Mounting Option 1

- Threaded Rod (by others)
- 1/4"-20 Washer (by others)
- 1/4"-20 Nut (by others)
- 1/4"-20 Sealing Washer (provided)

Mounting Option 2

- 1/4"-20 Lag Bolt (by others)
- 1/4"-20 Sealing Washer (provided)

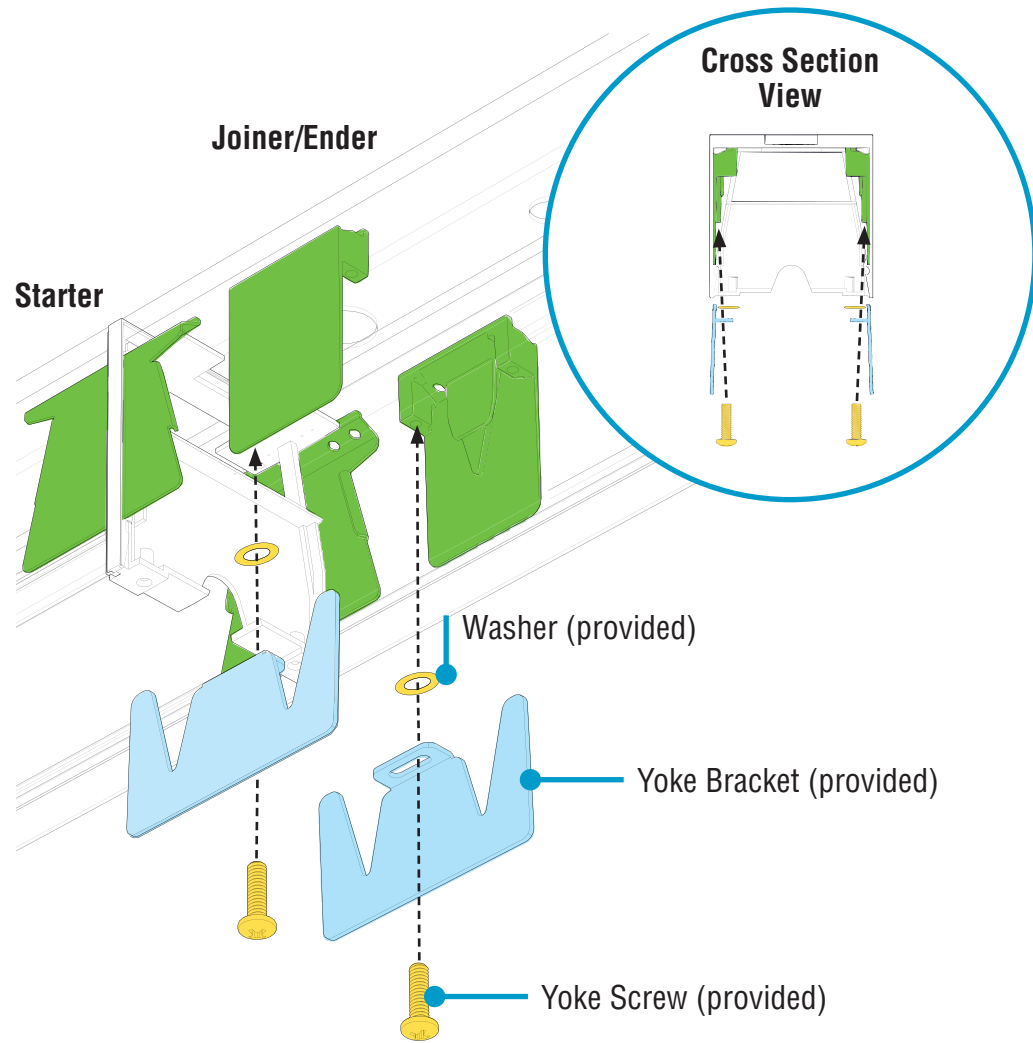


Universal & Robust Joints

HP-4 Wet Location Recessed Spackle & Visible Flange Installation Instructions

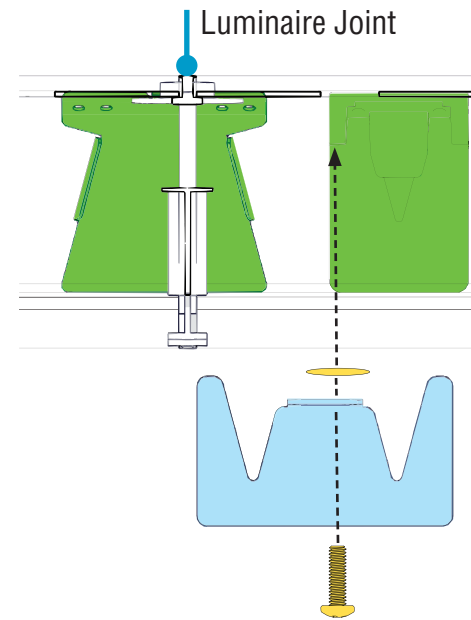
Step 6 - Securing Luminaire Joints

A. Secure Joint with Yoke Brackets Bottom-Up View

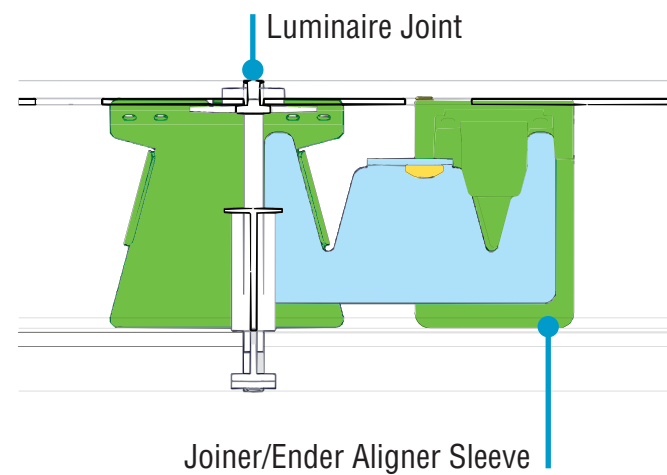


- Before installing yoke brackets, ensure the joining ends of luminaires meet flush and square.
- **CRITICAL:** Ensure yoke brackets properly engage with aligner sleeves.
- Secure joint by threading (but not yet tightening) yoke screws through yoke brackets and washers and into the aligner sleeves.
- Tighten yoke screws¹ until joint seam of luminaires is closed.

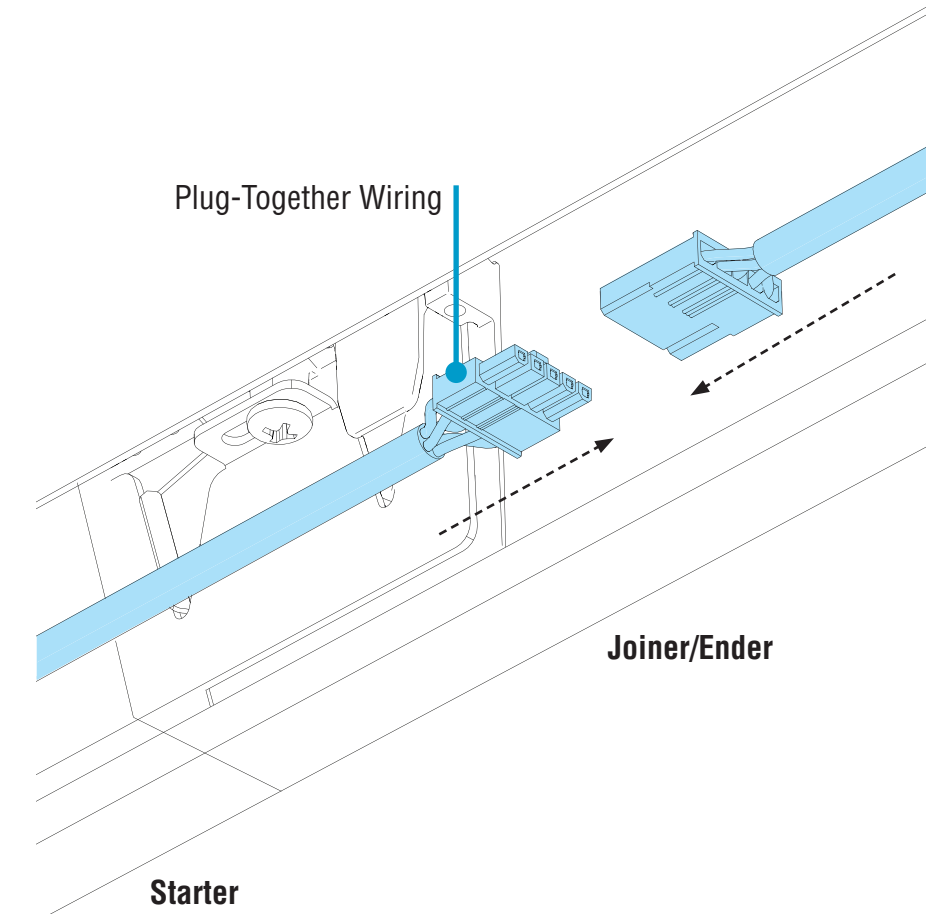
IN ALIGNMENT



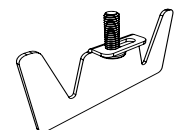
CORRECTLY INSTALLED



B. Make Electrical Connections Bottom-Up View



- Connect plug-together wiring.



Yoke Bracket w/ Screw and Washer
#10-32 x 5/8" (provided)

¹ Screwdriver with 6" bit required.



Universal &
Robust Joints

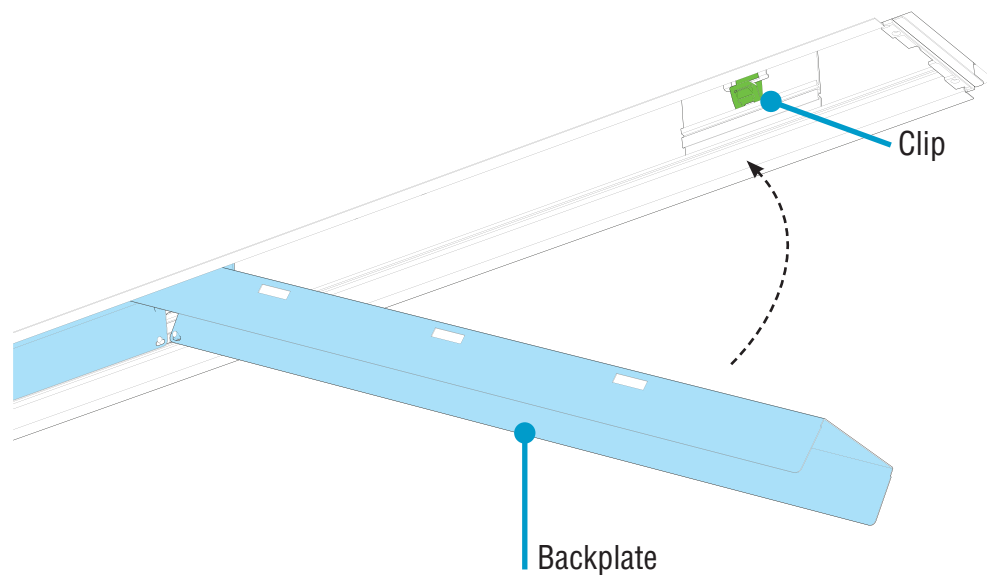


Simple
Plug-Together
Wiring

HP-4 Wet Location Recessed Spackle & Visible Flange Installation Instructions

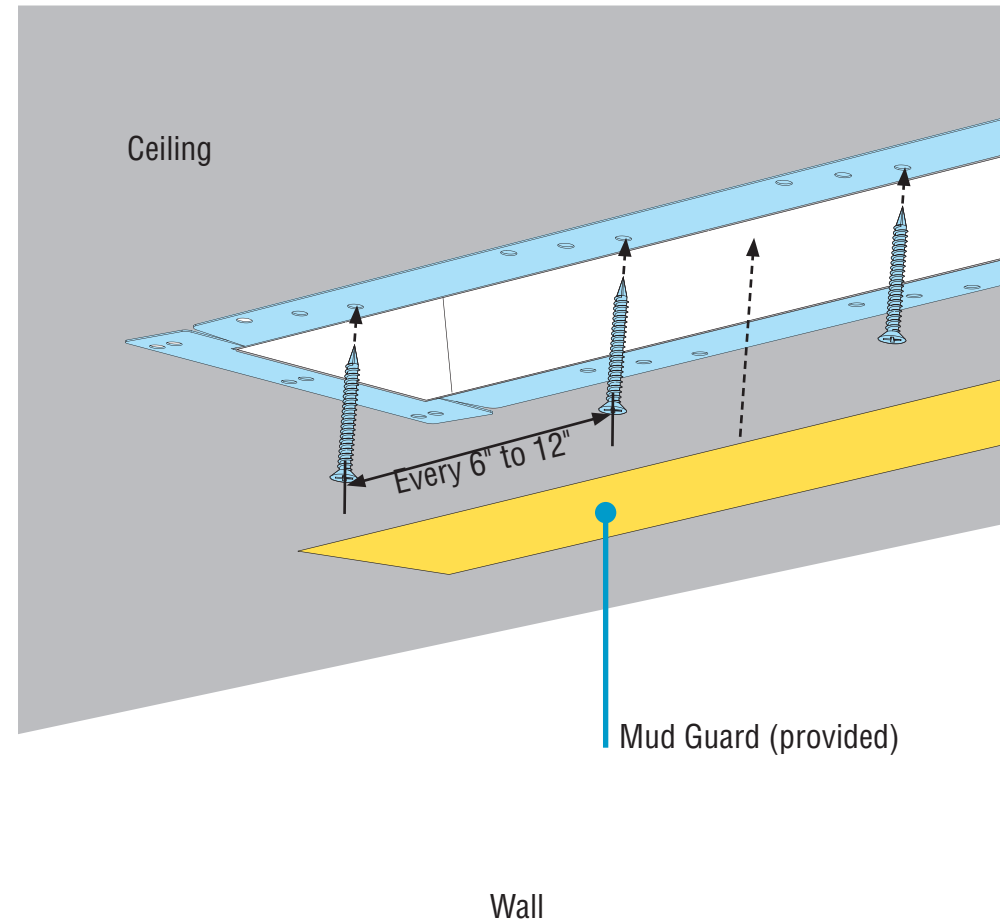
Step 7 - Closing Luminaires

A. Close All Backplates Bottom-Up View



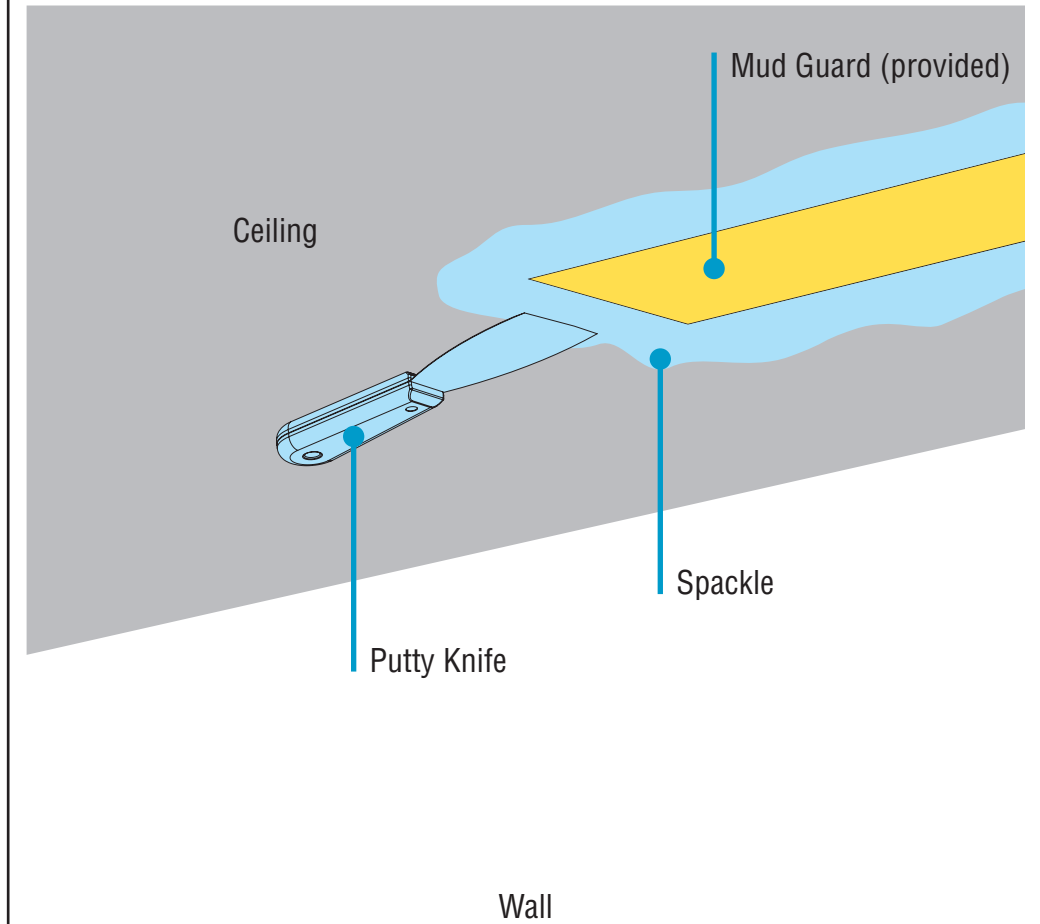
- Reinstall **all** backplates by snapping into clips.

B. Secure Flange To Structure Spackle Flange Only

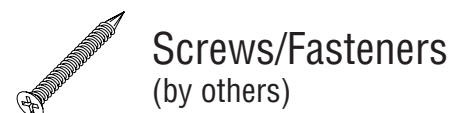


- Secure spackle flanges to wall/ceiling using appropriate screws or fasteners¹ for hard surface, per local building codes.
- Install the "mud guards" cardboard inserts to help prevent spackle and paint from getting into the luminaire.

C. Apply Spackle Spackle Flange Only



- Spackle and paint over flanges up to luminaire edge.
- **CAUTION:** Careful not to drop spackle into luminaire. Immediately wipe off excess spackle that may have gotten onto luminaire edges.
- Perform all spackling and painting to walls and ceiling prior to removing "mud guards."
- Remove all mud guards.



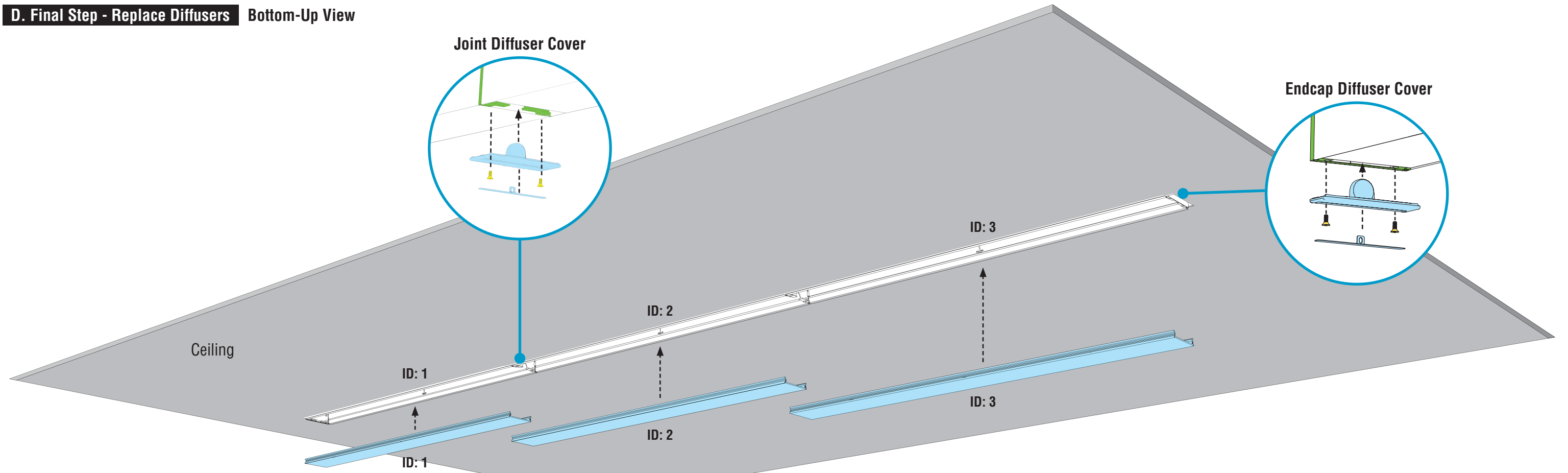
¹ Screws or fasteners: drywall - drywall screws, wood - wood screws, etc.

CONTINUED

HP-4 Wet Location Recessed Spackle & Visible Flange Installation Instructions

Step 7 - Closing Luminaires

D. Final Step - Replace Diffusers Bottom-Up View



- **NOTE:** If your installation includes a battery backup, please see addendum (98333) that should be included with your kitting package.
- Remove diffusers from protective plastic bag.
- **CAUTION:** Wear gloves to keep diffuser surface clean.
- **CRITICAL:** Be sure to install correct diffuser to its corresponding luminaire ID.
- Install diffusers into luminaire body, ensuring they snap into place.
- Reinstall all endcap and joint diffuser covers.
- Turn power on to luminaire.

