

HP-2 / HP-4 Indirect with Mitered Corners Installation Instructions

Overview

NOTES

- All power connections should be installed according to local/national codes by a Certified Electrician.
- This installation requires **proper support** as each luminaire is being installed.
- **DO NOT attempt to join luminaires together on the floor.** Damage may result when lifted.



HELPFUL
VIDEOS



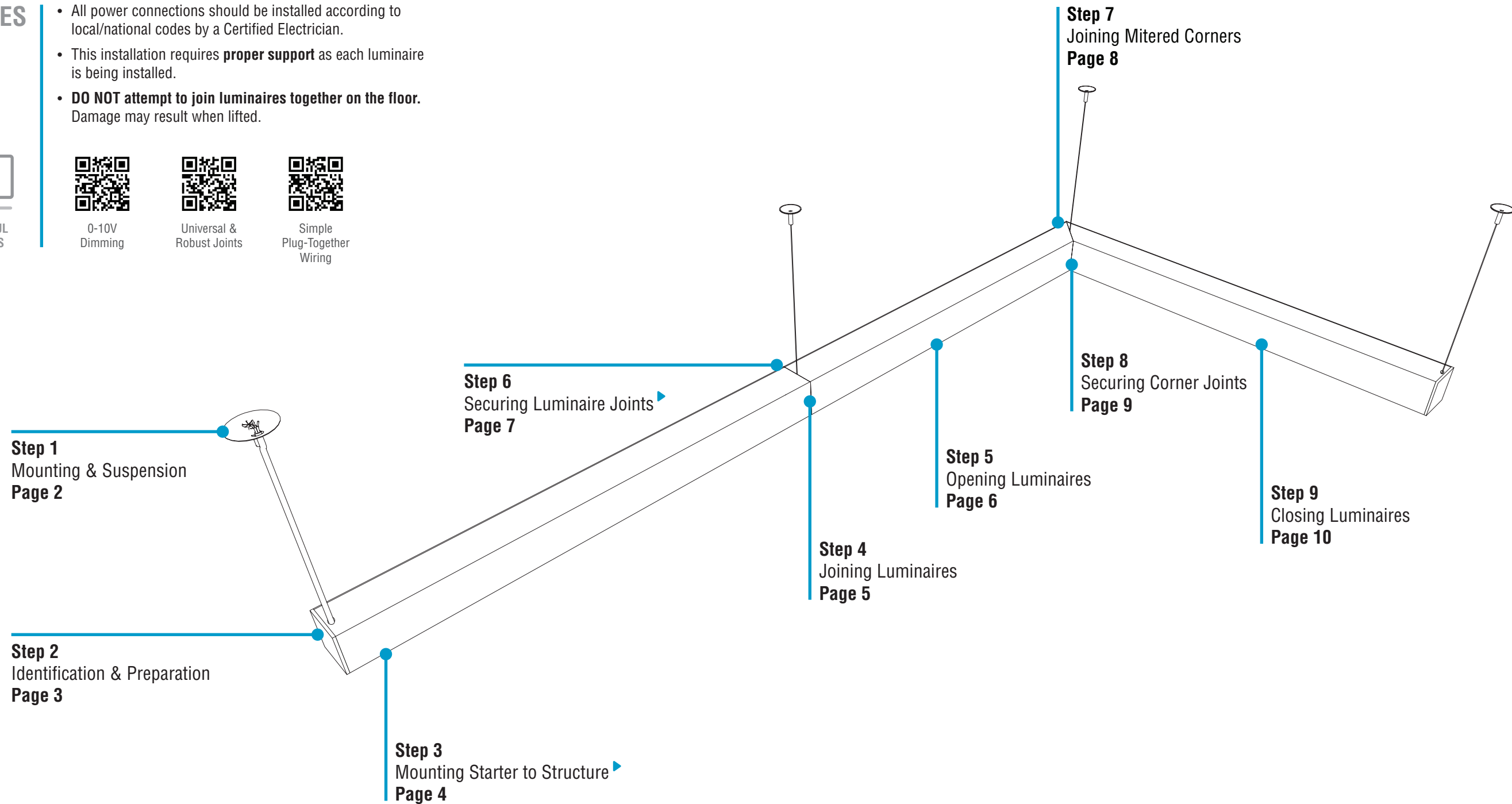
0-10V
Dimming



Universal &
Robust Joints



Simple
Plug-Together
Wiring



HP-2 / HP-4 Indirect with Mitered Corners Installation Instructions

Step 1 - Mounting & Suspension

Mounting Options

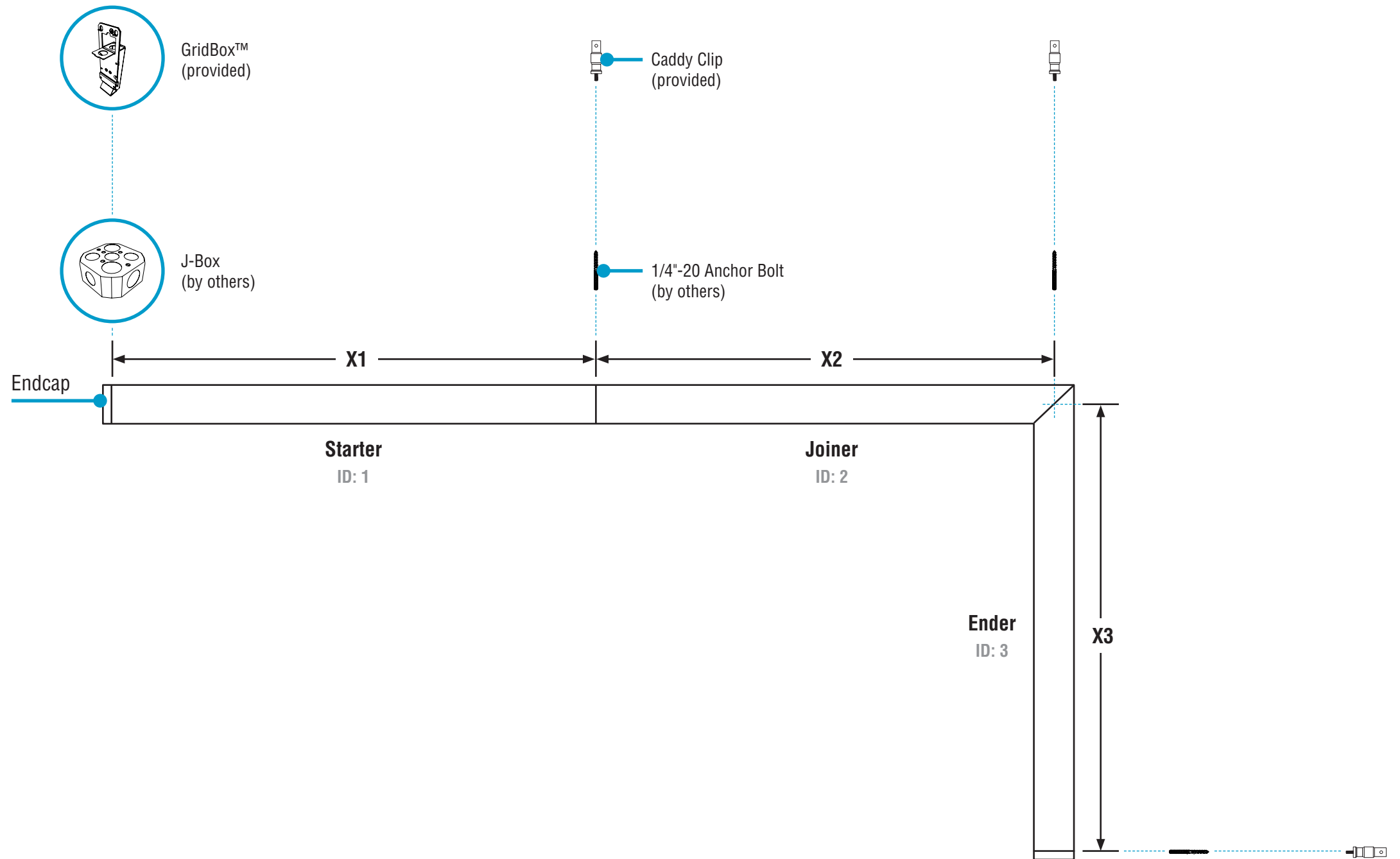
Option 1 T-Bar Mounting - GridBox™, Caddy Clips

- Install GridBox™ and electrical conduit at feed locations.
- Install caddy clips at mounting point locations.
- All caddy clips are to be secured to structure, per local building codes.

Option 2 Drywall (C4) or other hard surfaces* - J-Box, Anchor Bolts

- Install J-Box and electrical conduit at feed locations.
- Install anchor bolts at mounting point locations.
- All anchor bolts are to be secured to structure, per local building codes.

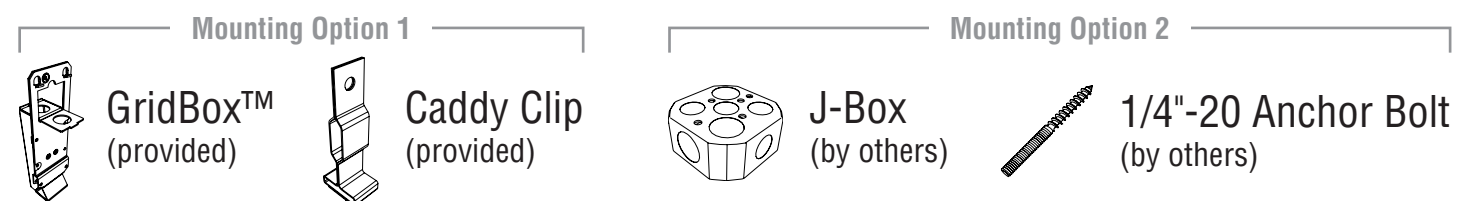
* Other hard surfaces include: wood, sheet metal panels, steel beams, concrete or masonry. Use hardware appropriate for each surface material type.



Suspension Locations

X = Suspension Dimensions

Refer to Record Drawings and building plans to determine exact mounting, suspension points, and power feed locations.



HP-2 / HP-4 Indirect with Mitered Corners Installation Instructions

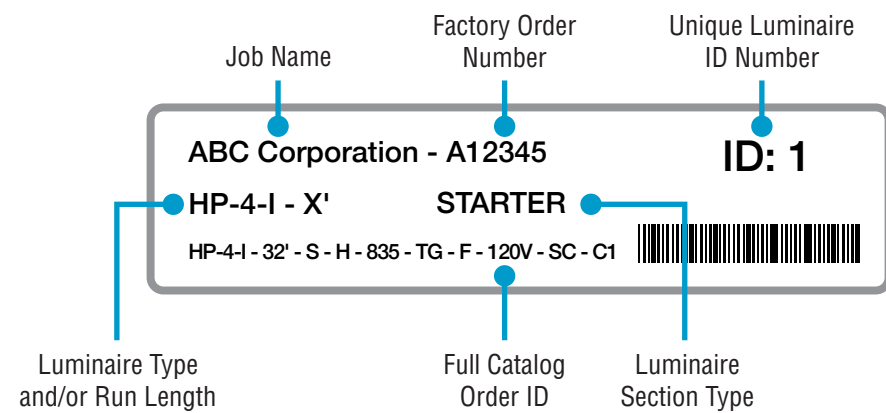
Step 2 - Identification & Preparation

A. Identify Luminaires



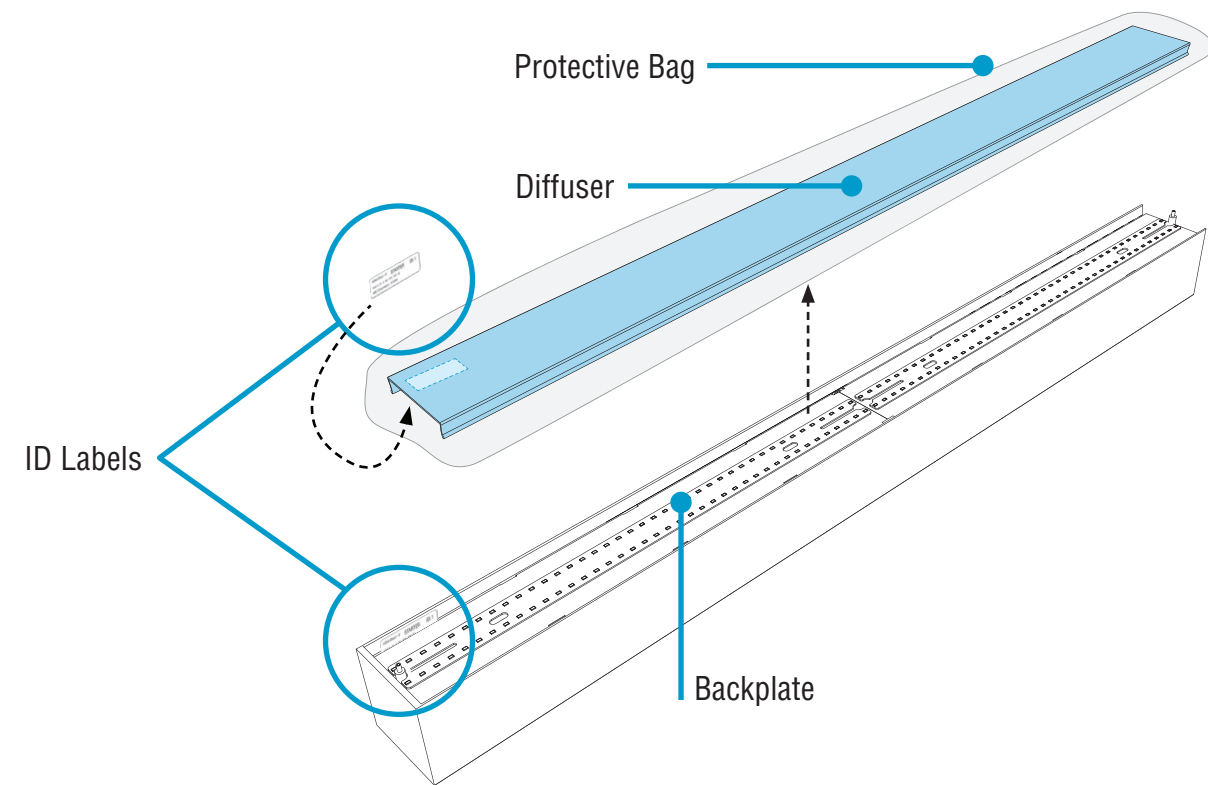
CAUTION

Arrange luminaires in order according to ID# at their install locations.



- Identify all luminaires by their ID label that can be found on the box, the diffuser, and inside the luminaire.
- **NOTE:** Exact location of labels in these areas may vary.
- Remove all luminaires from their box.
- Refer to Record Drawings that can be found in the hardware kit.

B. Remove Diffusers



- Carefully remove all diffusers keeping them inside their protective bags.
- Set aside all diffusers to prevent from getting dirty or damaged.
- Ensure diffusers can be clearly identified back to its corresponding luminaire.

Kitted Hardware

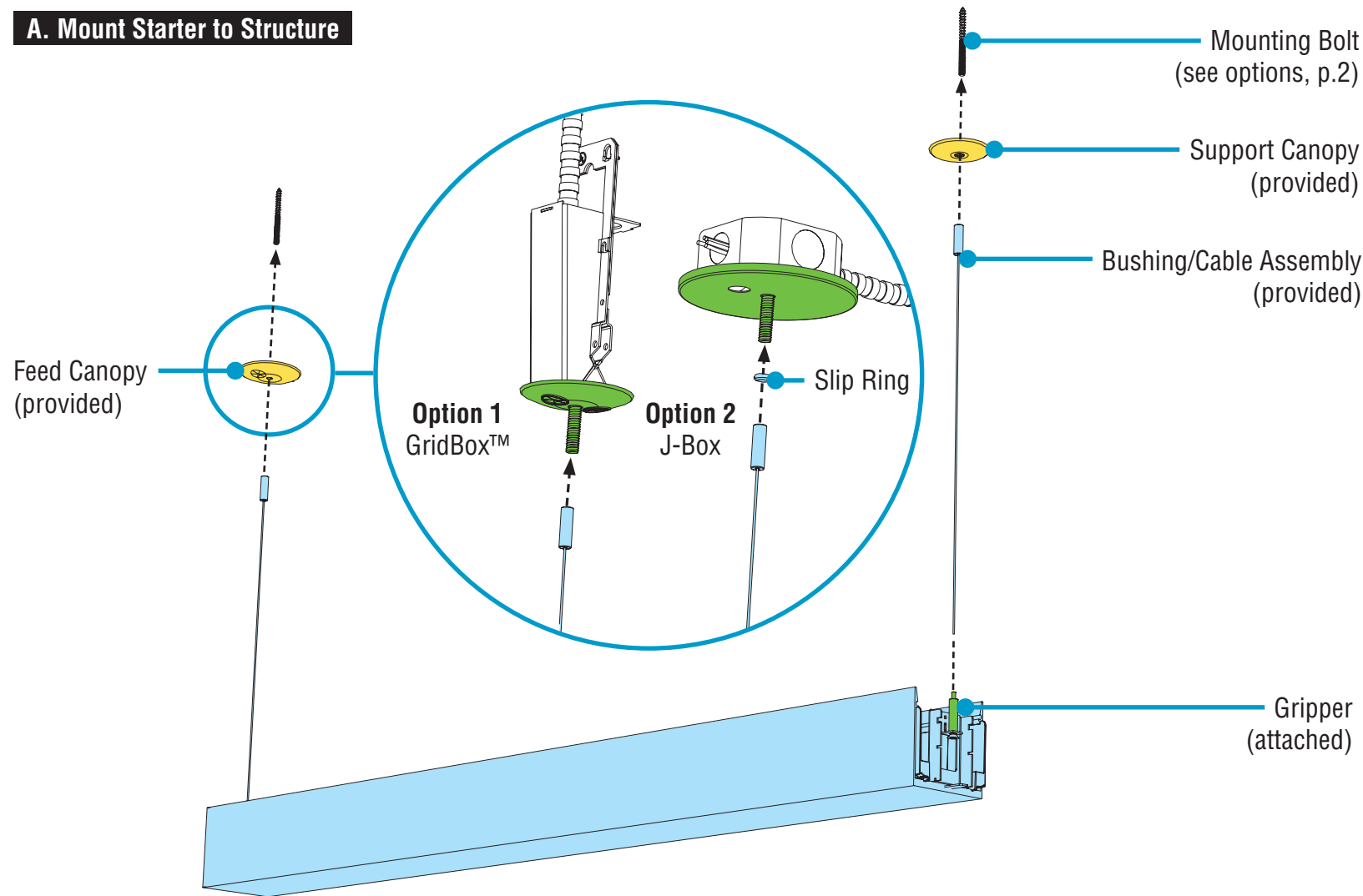
- Finelite has provided items listed here, with their Finelite part numbers. These items can be found in separate boxes shipped with the luminaire.
- Account for all parts and set aside until they are needed.
- All other hardware needed for this installation will be by others.

<p>GridBox™ Part# 89159</p> <p>Dual GridBox™ Part# 89199 Mounting & Suspension p. 2, Step 1</p> <p>Caddy Clip C1 Ceiling - Part# 94001 C2 Ceiling - Part# 94020 C3 Ceiling - Part# 94029 Mounting & Suspension p. 2, Step 1</p>	<p>Mounting Option 1</p> <p>3-1/2" Canopy Part# 89191</p> <p>3-1/2" Dual Feed Canopy Part# 89192 Mounting Starter to Structure p. 4, Step 3 Joining Luminaires p. 5, Step 4 Joining Mitered Corners p. 8, Step 7</p> <p>2" T-Bar Support Canopy Part# 89193 Mounting Starter to Structure p. 4, Step 3 Joining Luminaires p. 5, Step 4 Joining Mitered Corners p. 8, Step 7</p>	<p>Mounting Option 2</p> <p>5" Canopy Part# 94085</p> <p>5" Dual Feed Canopy Part# 94145 Mounting Starter to Structure p. 4, Step 3 Joining Luminaires p. 5, Step 4 Joining Mitered Corners p. 8, Step 7</p> <p>2" Drywall Support Canopy Part# 94017 Mounting Starter to Structure p. 4, Step 3 Joining Luminaires p. 5, Step 4 Joining Mitered Corners p. 8, Step 7</p>	<p>Cable Bushing Part# 94014</p> <p>Aircraft Cable 50" - Part# 94515-12 (Std.) 100" - Part# 94515-14 150" - Part# 94515-18 Mounting Starter to Structure p. 4, Step 3 Joining Luminaires p. 5, Step 4 Joining Mitered Corners p. 8, Step 7</p>	<p>Gripper Part# 68129 Mounting Starter to Structure p. 4, Step 3 Joining Luminaires p. 5, Step 4 Joining Mitered Corners p. 8, Step 7</p> <p>Yoke Bracket Part# 45042</p> <p>#10-32 x 5/8" Screw Part# 94144 Securing Luminaire Joints p. 7, Step 6 Securing Corner Joints p. 9, Step 8</p>	<p>Slip Ring w/ Set Screw Part# 94015 Mounting Starter to Structure p. 4, Step 3 Joining Luminaires p. 5, Step 4 Joining Mitered Corners p. 8, Step 7</p> <p>Safety Crimp Part# 94514 Closing Luminaires p. 10, Step 9</p>
--------------------------------------------------------------------------------------------------------------------------------------------------------------------------------------------------------------------------------------------------------------------------------------------------	-------------------------------------------------------------------------------------------------------------------------------------------------------------------------------------------------------------------------------------------------------------------------------------------------------------------------------------------------------------------------------------------------------------------------------------------------------------------------	-------------------------------------------------------------------------------------------------------------------------------------------------------------------------------------------------------------------------------------------------------------------------------------------------------------------------------------------------------------------------------------------------------------------------------------------------------------------	------------------------------------------------------------------------------------------------------------------------------------------------------------------------------------------------------------------------------------------------------------------------------------------------------	-----------------------------------------------------------------------------------------------------------------------------------------------------------------------------------------------------------------------------------------------------------------------------------------------------------------------------------------------------------------------	----------------------------------------------------------------------------------------------------------------------------------------------------------------------------------------------------------------------------------------------------------------------------------

HP-2 / HP-4 Indirect with Mitered Corners Installation Instructions

Step 3 - Mounting Starter to Structure

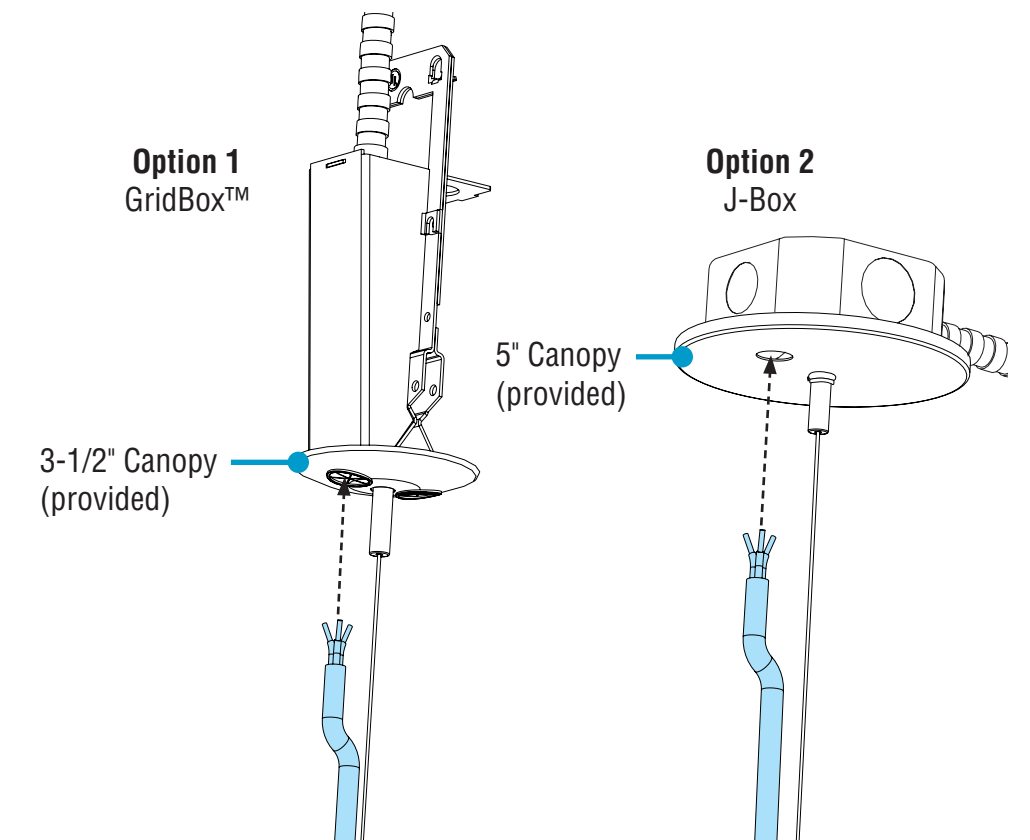
A. Mount Starter to Structure



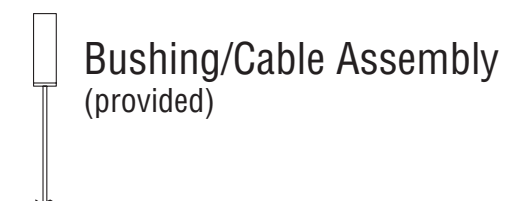
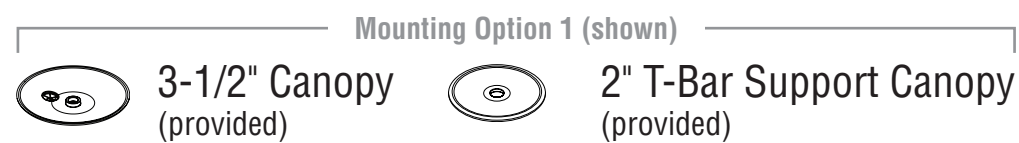
- Slide canopy appropriate for electrical type options onto mounting bolt (anchor bolt or caddy clip bolt).
- **(Option 2 only)** Thread the slip ring onto anchor bolts and secure with set screw at both mounting locations.
- Thread the bushing/cable assembly onto mounting bolts.
- While properly supporting luminaire, maneuver luminaire to ceiling.
- Locate grippers at luminaire ends and feed end of aircraft cable through it by depressing top of gripper.

B. Make Electrical Connections

WIRING LEGEND		
Black	Hot	Line Voltage
White	Neutral	Line Voltage
Green	Ground	
Pink	Dimming	0-10V DC
Purple	Dimming	0-10V DC



- **(Option 1)** Feed power cord through the 3-1/2" canopy and connect wires inside the GridBox™.
- **(Option 2)** Feed power cord through the 5" canopy and connect wires inside the J-Box.
- **CRITICAL:** If installing mitered corner, **PROCEED TO STEP 7.**



0-10V
Dimming

HP-2 / HP-4 Indirect with Mitered Corners Installation Instructions

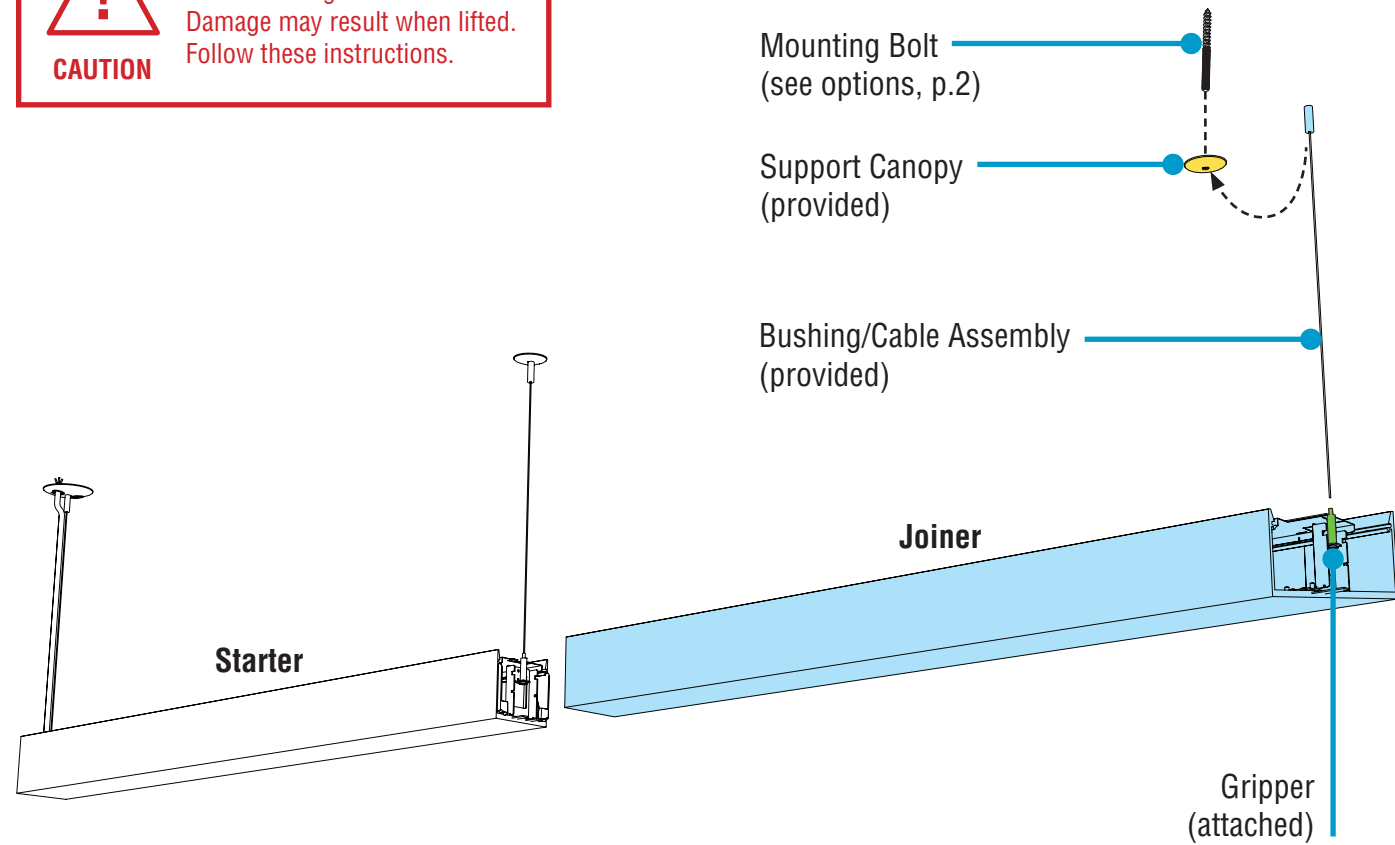
Step 4 - Joining Luminaires

A. Mount Joiner to Structure



CAUTION

DO NOT attempt to join luminaires together on the floor. Damage may result when lifted. Follow these instructions.



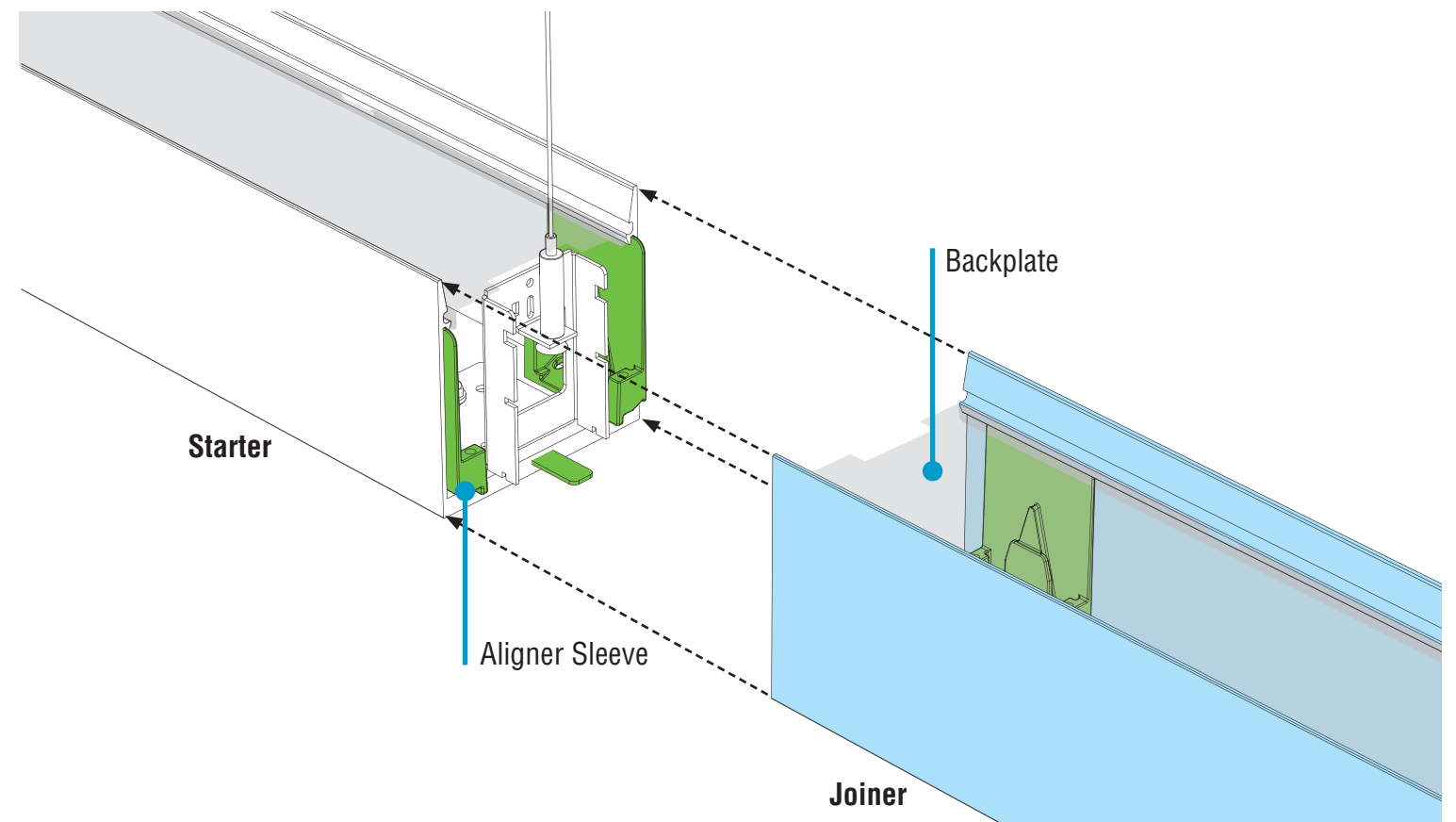
- For the joiner luminaire, slide canopy appropriate for electrical type onto mounting bolt (anchor bolt or caddy clip bolt).
- Thread the bushing/cable assembly onto mounting bolt.
- While properly supporting luminaire, maneuver luminaire to ceiling.
- Locate gripper at luminaire ends and feed aircraft cable through it by depressing top of gripper.

B. Join Luminaires



CAUTION

Once luminaires are aligned together, **joiner luminaire is not yet secure.** Ensure it does not slide off as it rests on the starter luminaire.

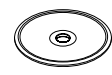


- Align joiner with aligner sleeves on starter and slide together. Be careful not to damage any wiring.
- If necessary, **lift** both luminaires, then slide together.

Mounting Option 1 (shown)

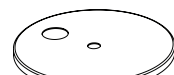


3-1/2" Canopy (provided)

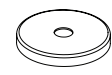


2" T-Bar Support Canopy (provided)

Mounting Option 2



5" Canopy (provided)



2" Drywall Support Canopy (provided)



Slip Ring w/ Set Screw (provided)

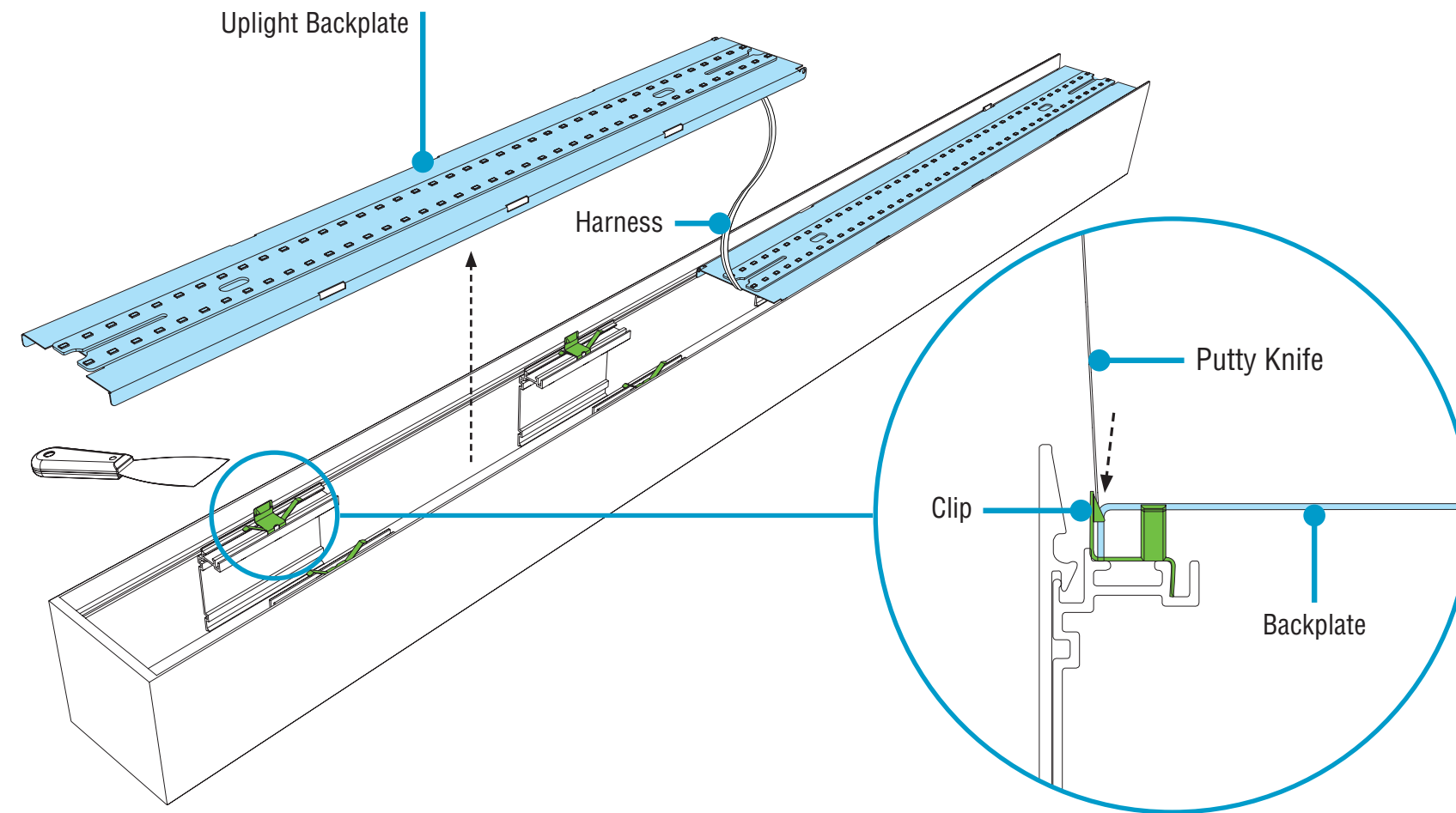


Bushing/Cable Assembly (provided)

HP-2 / HP-4 Indirect with Mitered Corners Installation Instructions

Step 5 - Opening Luminaires

Release Backplates

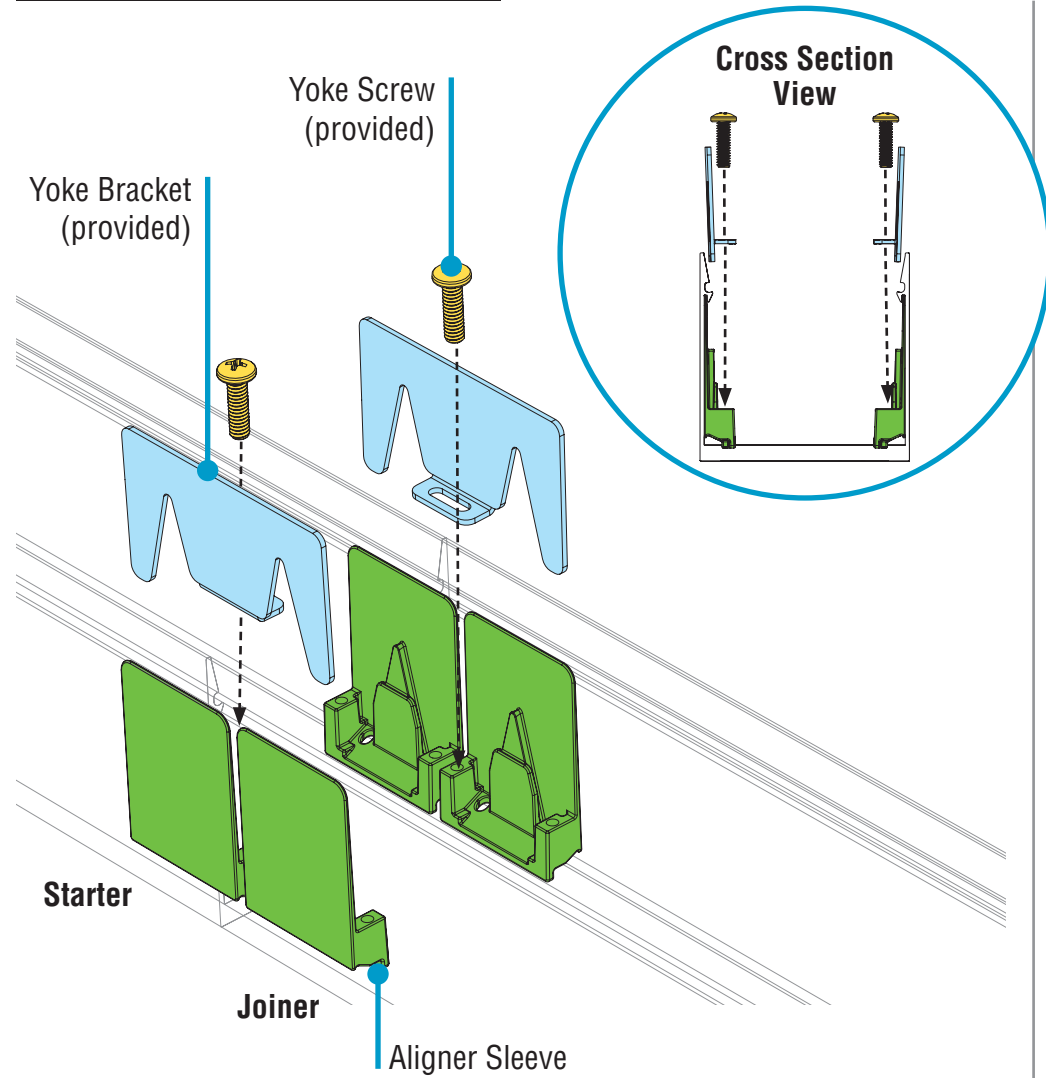


- Release **all backplates** by using a putty knife to slip behind backplate edges and release them from clips.
- Lift backplate out of housing channel, pulling wiring harnesses through the housing.
- Let backplate rest atop of luminaire. **DO NOT** disconnect LED board harnesses.

HP-2 / HP-4 Indirect with Mitered Corners Installation Instructions

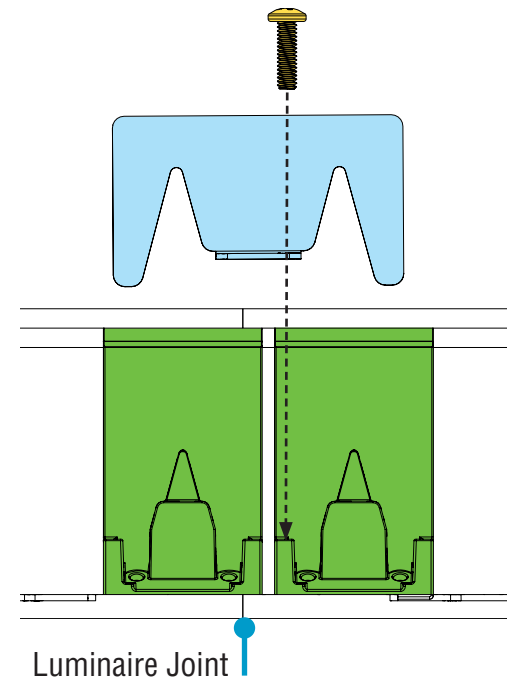
Step 6 - Securing Luminaire Joints

A. Secure Joint with Yoke Brackets

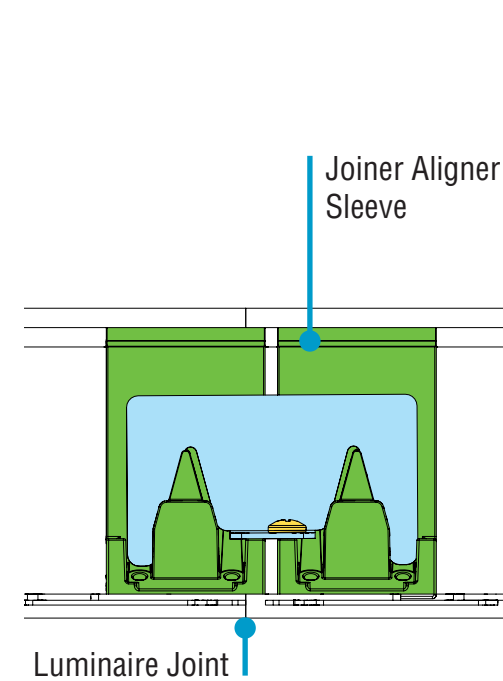


- Before installing yoke brackets, ensure the joining ends of luminaires meet flush and square.
- **CRITICAL:** Ensure yoke brackets properly engage with aligner sleeves.
- Secure joint by threading (but not yet tightening) yoke screws through yoke brackets and into the aligner sleeves.

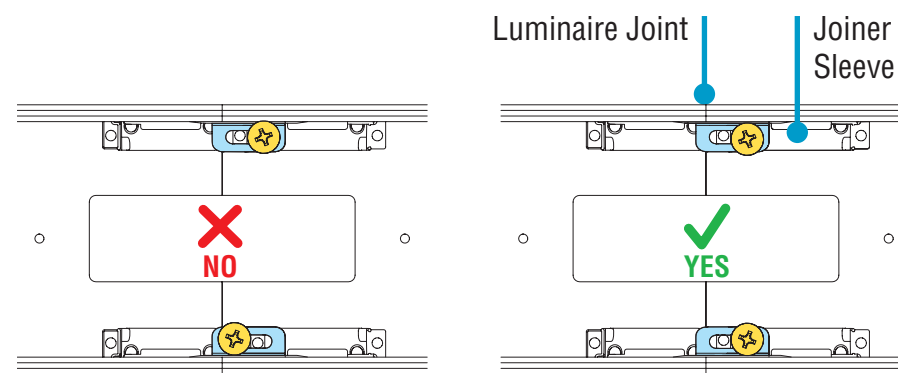
IN ALIGNMENT



CORRECTLY INSTALLED

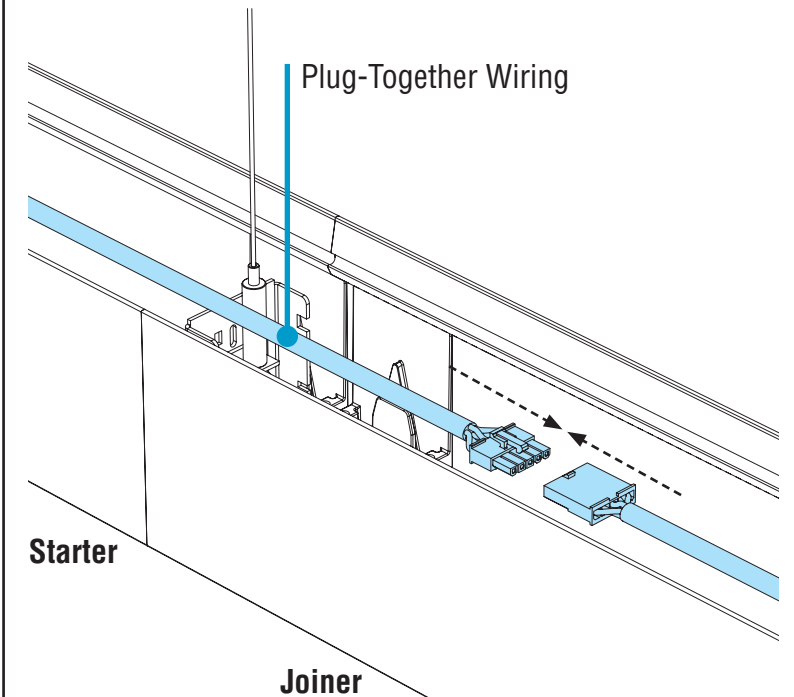


YOKE SCREW ALIGNMENT Bottom-Up View

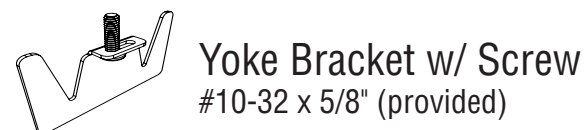


NOTE: Yoke screws should be installed directly across from each other, not diagonally, and in holes furthest from the joint line. One yoke screw per one yoke bracket.

B. Make Electrical Connections



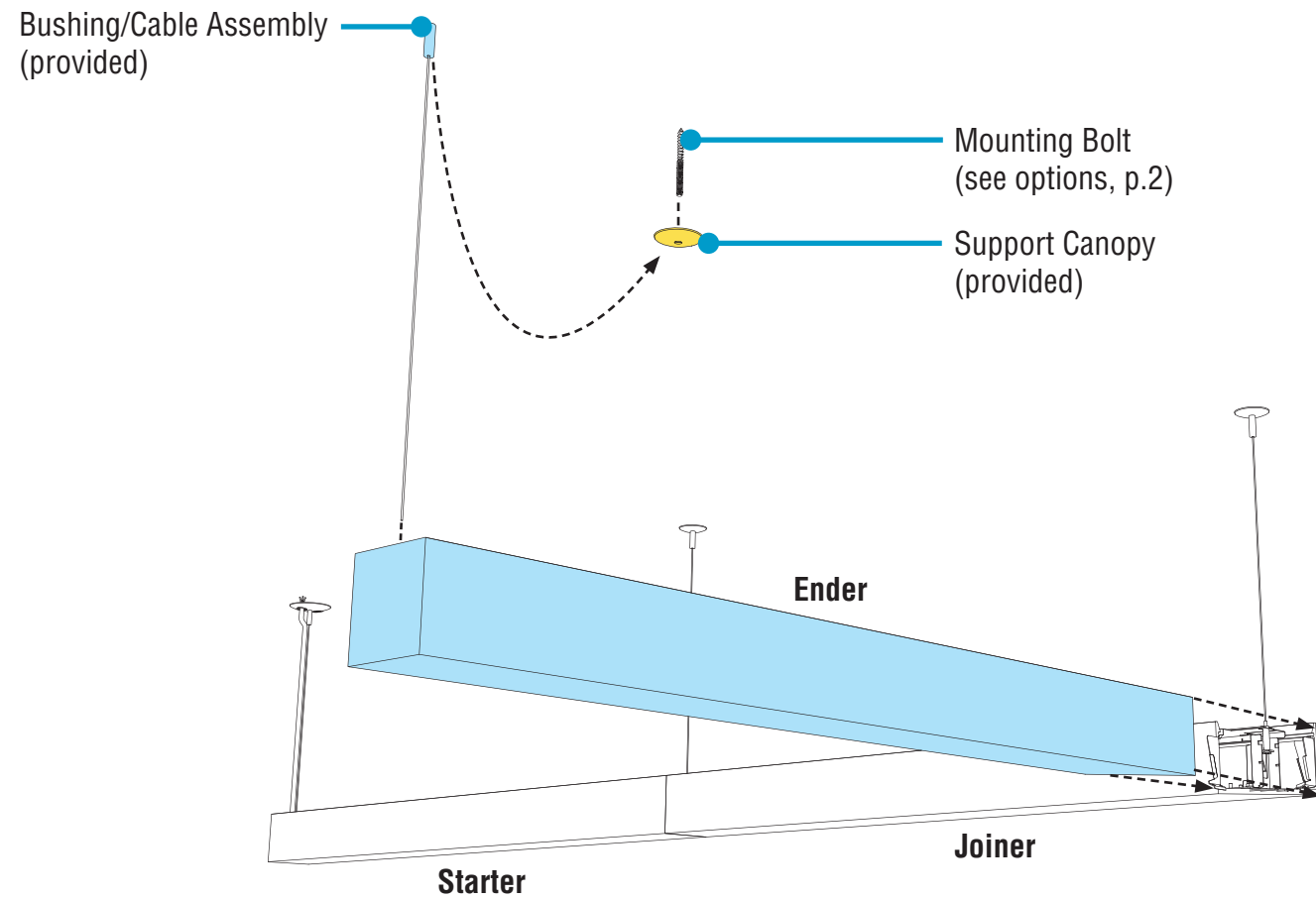
- Connect plug-together wiring.



HP-2 / HP-4 Indirect with Mitered Corners Installation Instructions

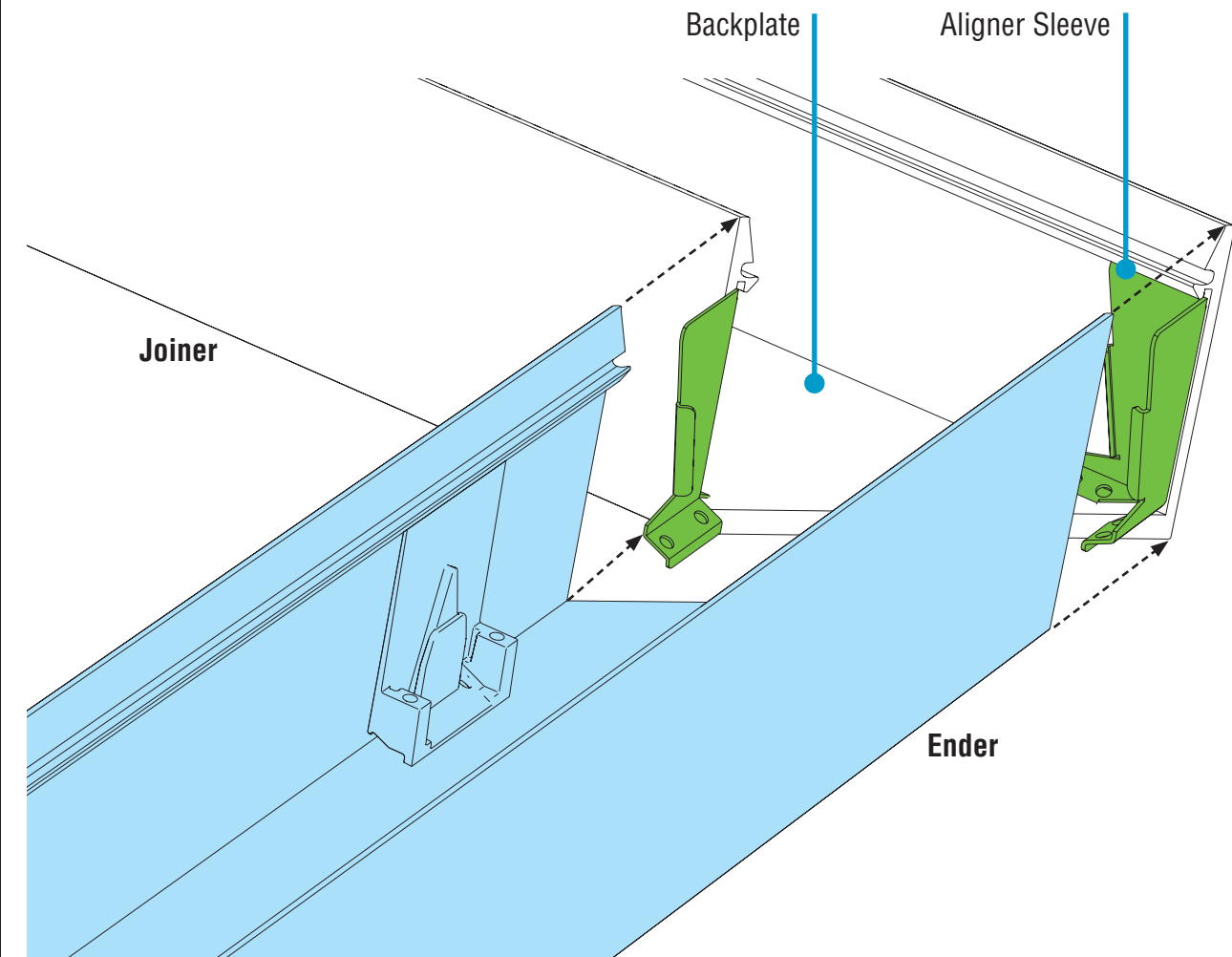
Step 7 - Joining Mitered Corners

A. Mount Ender to Structure

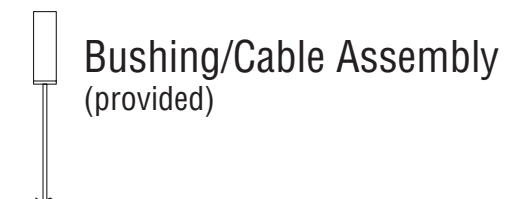
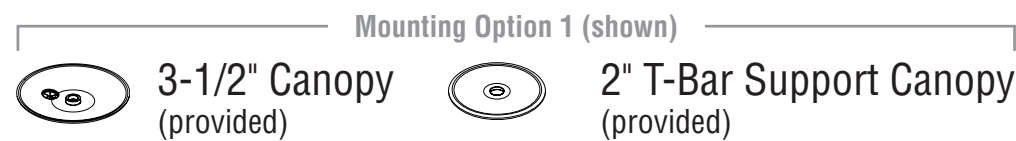


- For the ender luminaire, slide canopy onto mounting bolt (anchor bolt or caddy clip bolt).
- Thread the bushing/cable assembly onto mounting bolt.
- While properly supporting luminaire, maneuver luminaire to ceiling.
- Locate gripper at luminaire ends and feed aircraft cable through it by depressing top of gripper.

B. Join Mitered Corners



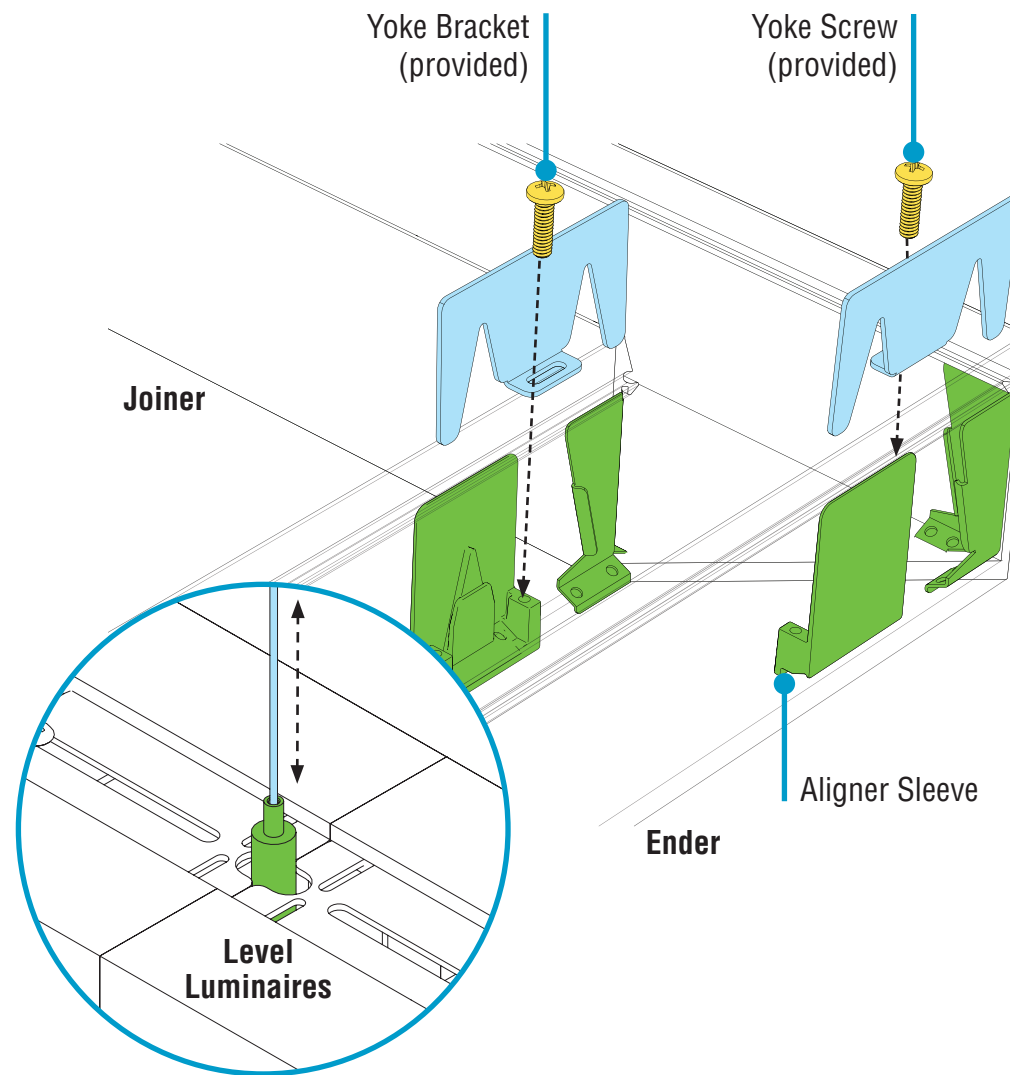
- Align ender luminaire with aligner sleeves on joiner and slide together. Be careful not to damage any wiring.
- If necessary, **lift** both luminaires, then slide together.



HP-2 / HP-4 Indirect with Mitered Corners Installation Instructions

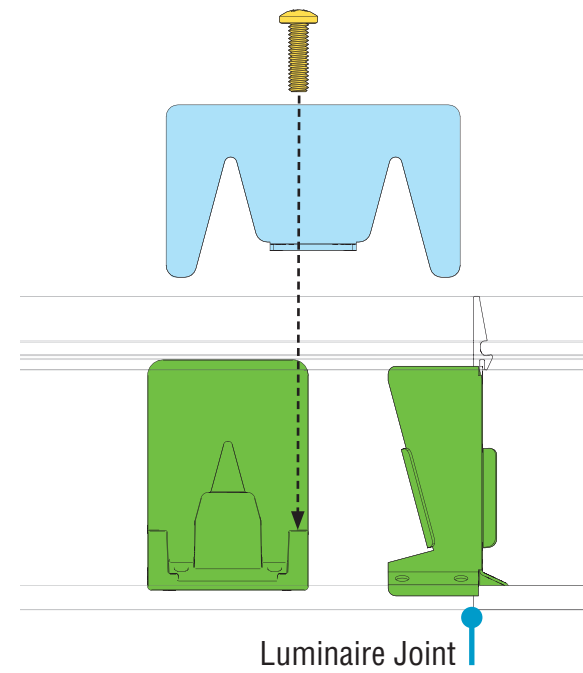
Step 8 - Securing Corner Joints

A. Secure Joint with Yoke Brackets

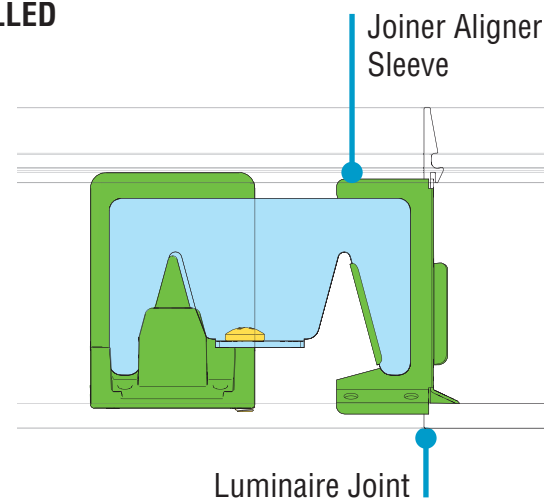


- Before installing yoke brackets, ensure the joining ends of luminaires meet flush and square.
- **CRITICAL:** Ensure yoke brackets properly engage with aligner sleeves.
- Secure joint by threading (but not yet tightening) yoke screws through yoke brackets and into the aligner sleeves.
- Level all luminaires to desired height by depressing top of grippers to adjust cable lengths

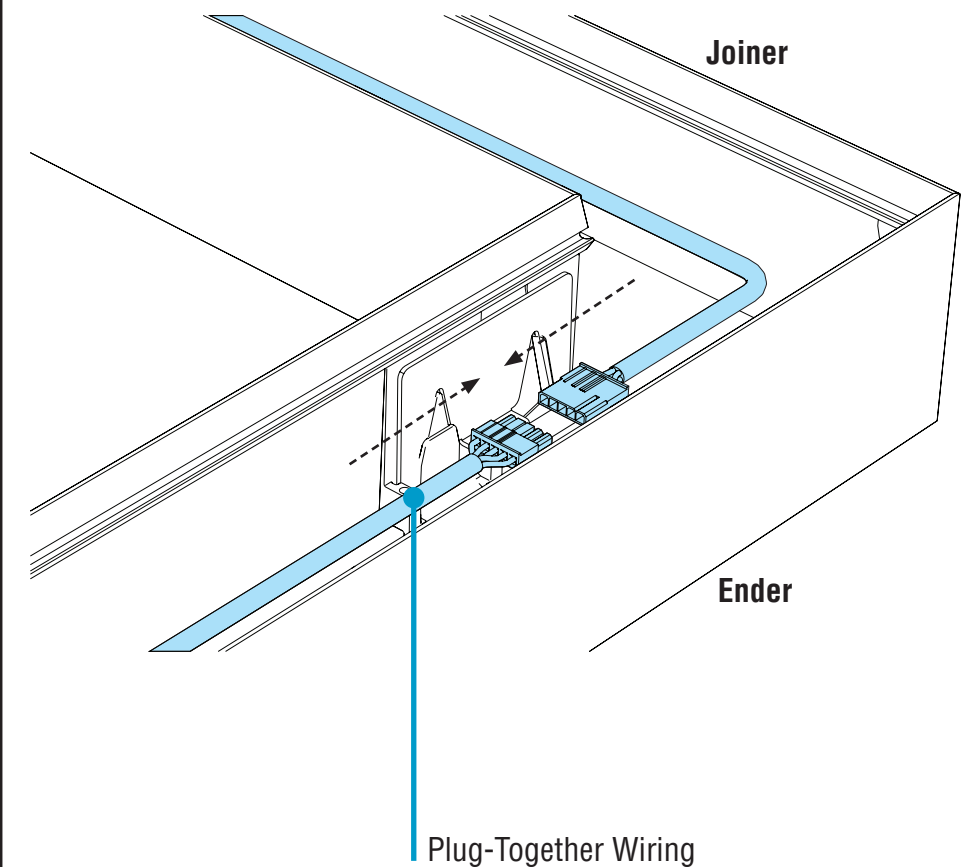
IN ALIGNMENT



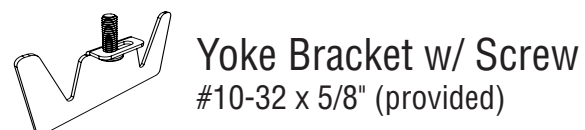
CORRECTLY INSTALLED



B. Make Electrical Connections



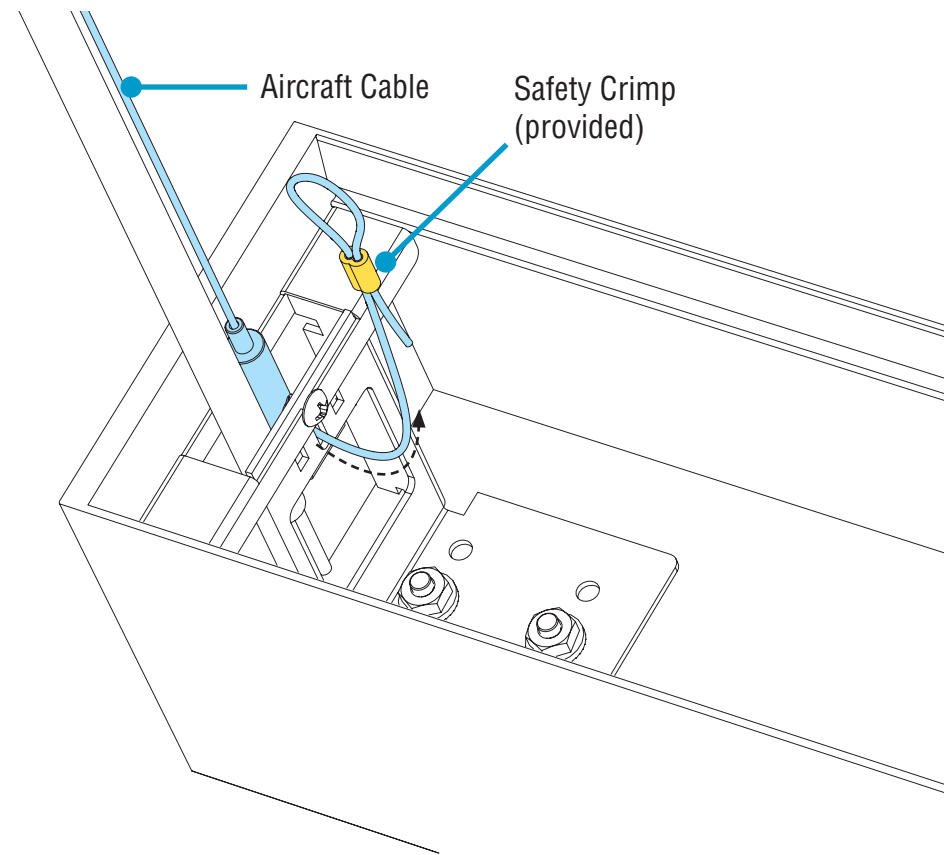
- Connect plug-together wiring.



HP-2 / HP-4 Indirect with Mitered Corners Installation Instructions

Step 9 - Closing Luminaires

A. Crimp Cables

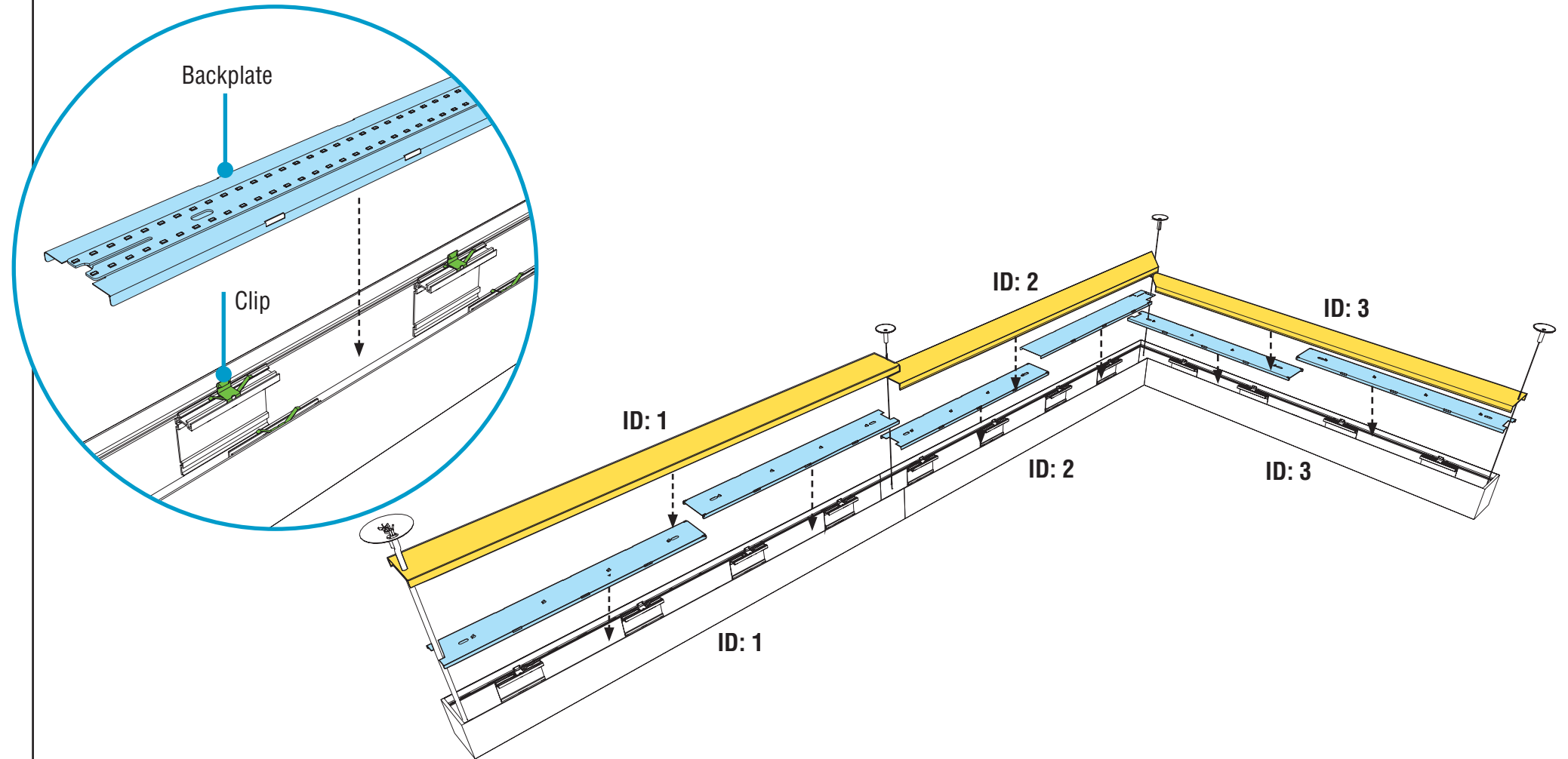


- Ensure all leveling has been performed prior to applying safety crimp.
- Feed end of aircraft cable into luminaire body as shown.
- Loop aircraft cable through safety crimp.
- Crimp, cut excess cable and tuck into luminaire body. Typical for each aircraft cable.
- Tighten all yoke screws¹ until joint seam of luminaires is closed.



¹ Screwdriver with 6" bit required.

B. Final Step - Replace Backplates & Diffusers



- **NOTE:** If your installation included a battery backup, please see addendum (98333) that should be included with your kitting package.
- Reinstall all safety crimps by snapping back into clips.
- Remove diffusers from protective plastic bag.
- **CAUTION:** Wear gloves to keep diffuser surface clean.
- **CRITICAL:** Be sure to install correct diffusers to its corresponding luminaire ID.
- Install upright diffusers by snapping into place.
- Turn power on to luminaire.