

HP-2 & HP-4 Circle 2', 3', & 4' Driver Replacement Instructions

Overview

NOTES

- All power connections should be installed according to local/national codes by a Certified Electrician.



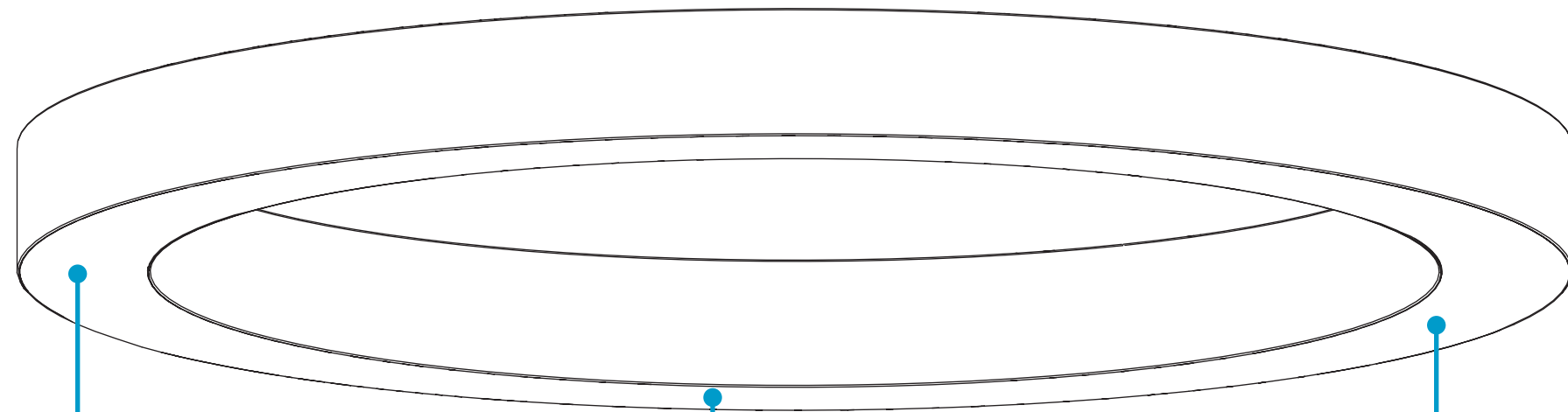
HELPFUL
VIDEO



0-10V
Dimming



Circle
Diffuser
Installation



Step 1
Opening Luminaire
Pages 2-3

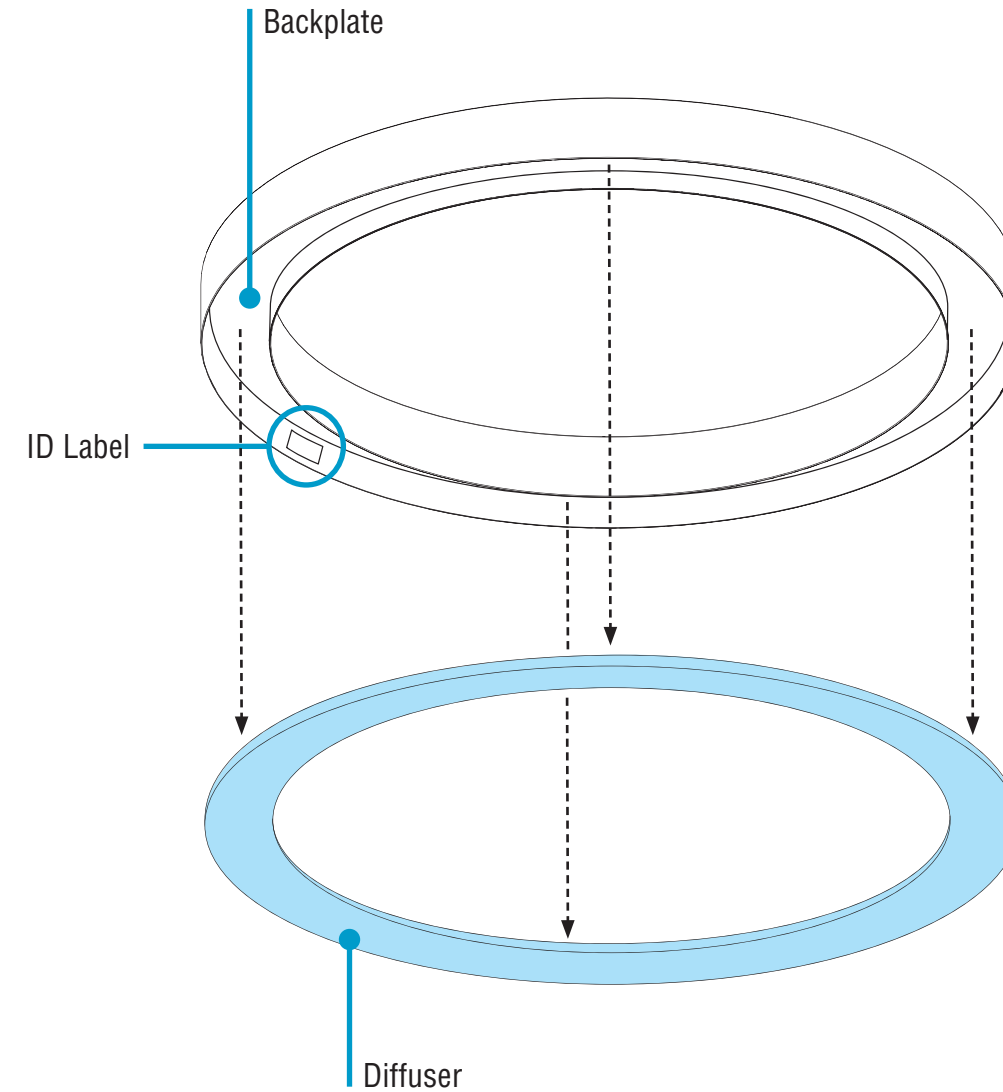
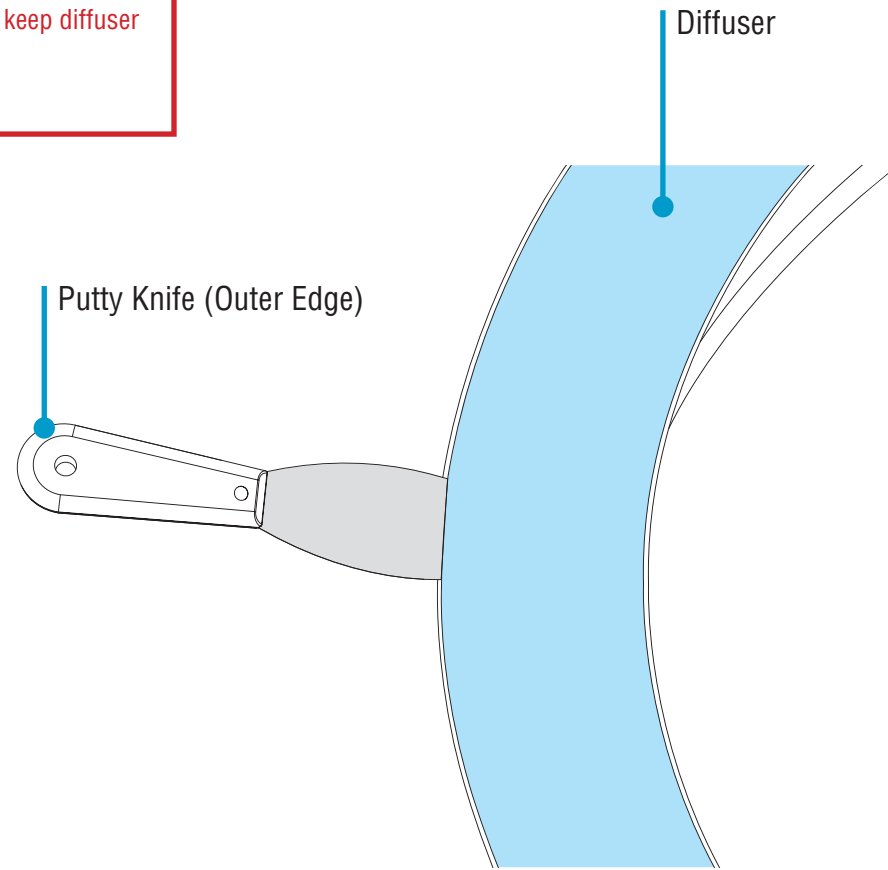
Step 2
Remove & Replace Driver
Page 4

Step 3
Closing Luminaire
Page 5

HP-2 & HP-4 Circle 2', 3', & 4' Driver Replacement Instructions

Step 1 - Opening Luminaire

A. Remove Diffuser Bottom-Up View



- **CAUTION:** Wear gloves to keep diffuser surface clean.
- **NOTE:** Maximum width of putty knife is 2 inches.
- **1.** To release diffuser, carefully slide putty knife between outer edge of diffuser and luminaire.
- **2.** Then, directly across from you carefully slide putty knife between inner edge of diffuser and luminaire.
- **3.** Work your way around outer edge of diffuser to fully release it from luminaire.
- Set aside diffuser to prevent it from getting dirty or damaged.
- Ensure diffuser can be clearly identified back to corresponding luminaire.

CONTINUED ▶



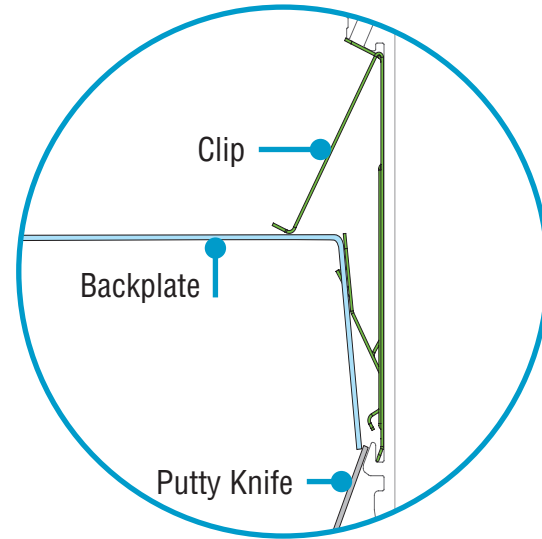
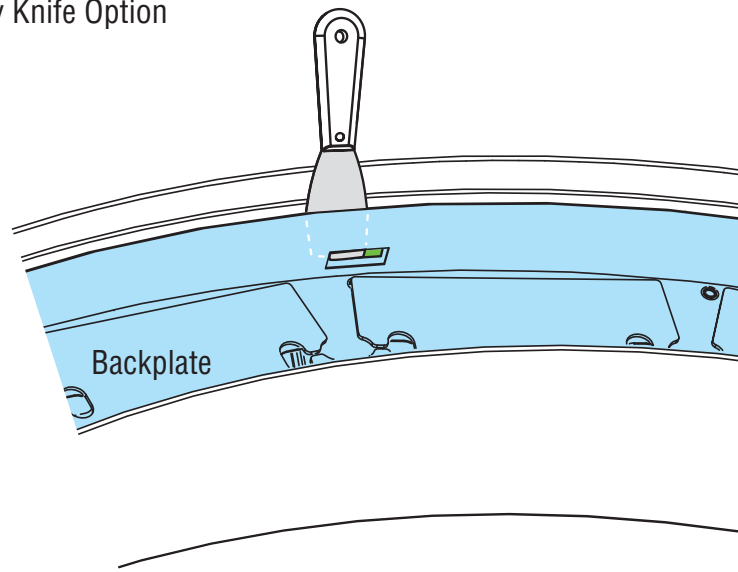
Circle
Diffuser
Installation

HP-2 & HP-4 Circle 2', 3', & 4' Driver Replacement Instructions

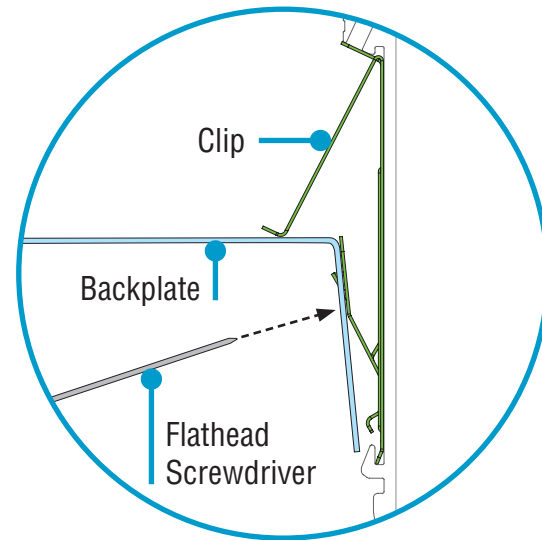
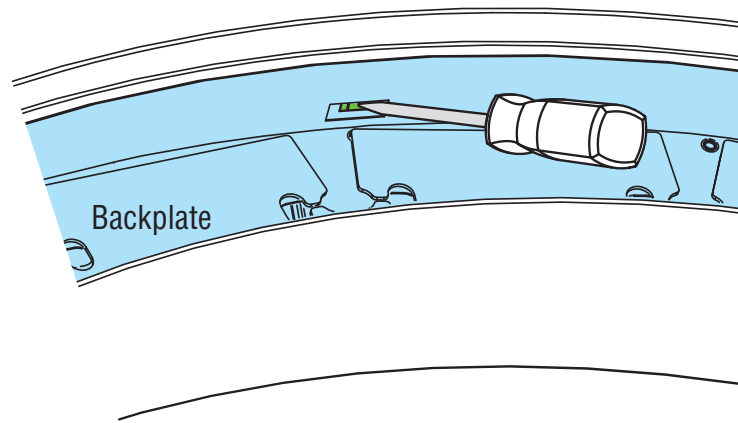
Step 1 - Opening Luminaire

B. Release Backplate Bottom-Up View

Putty Knife Option

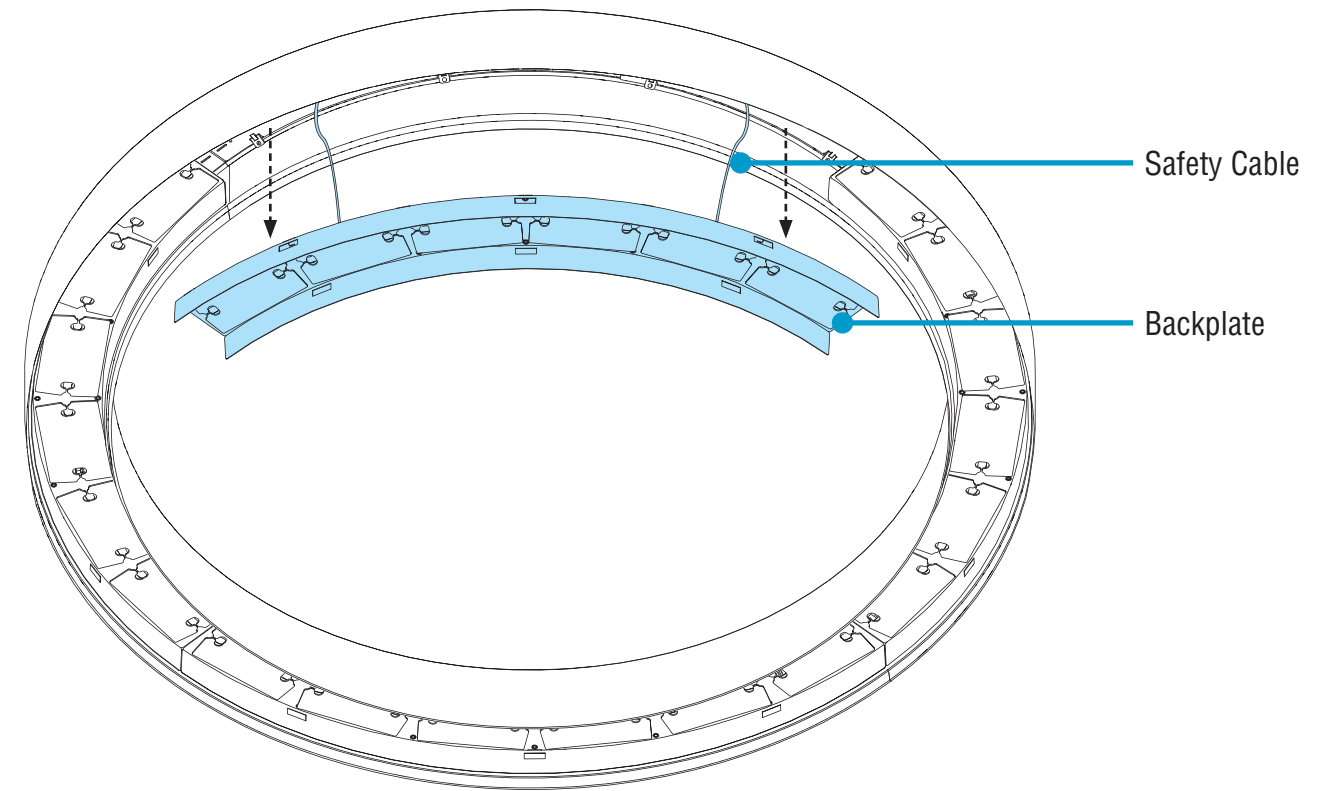


Flathead Screwdriver Option



- Open backplate for access to driver.
- Release backplate from clips by sliding the blade of a putty knife behind backplate edges.
- To use a flathead screwdriver: From inside backplate, press end of screwdriver against the clip until the backplate is released.

Bottom-Up View

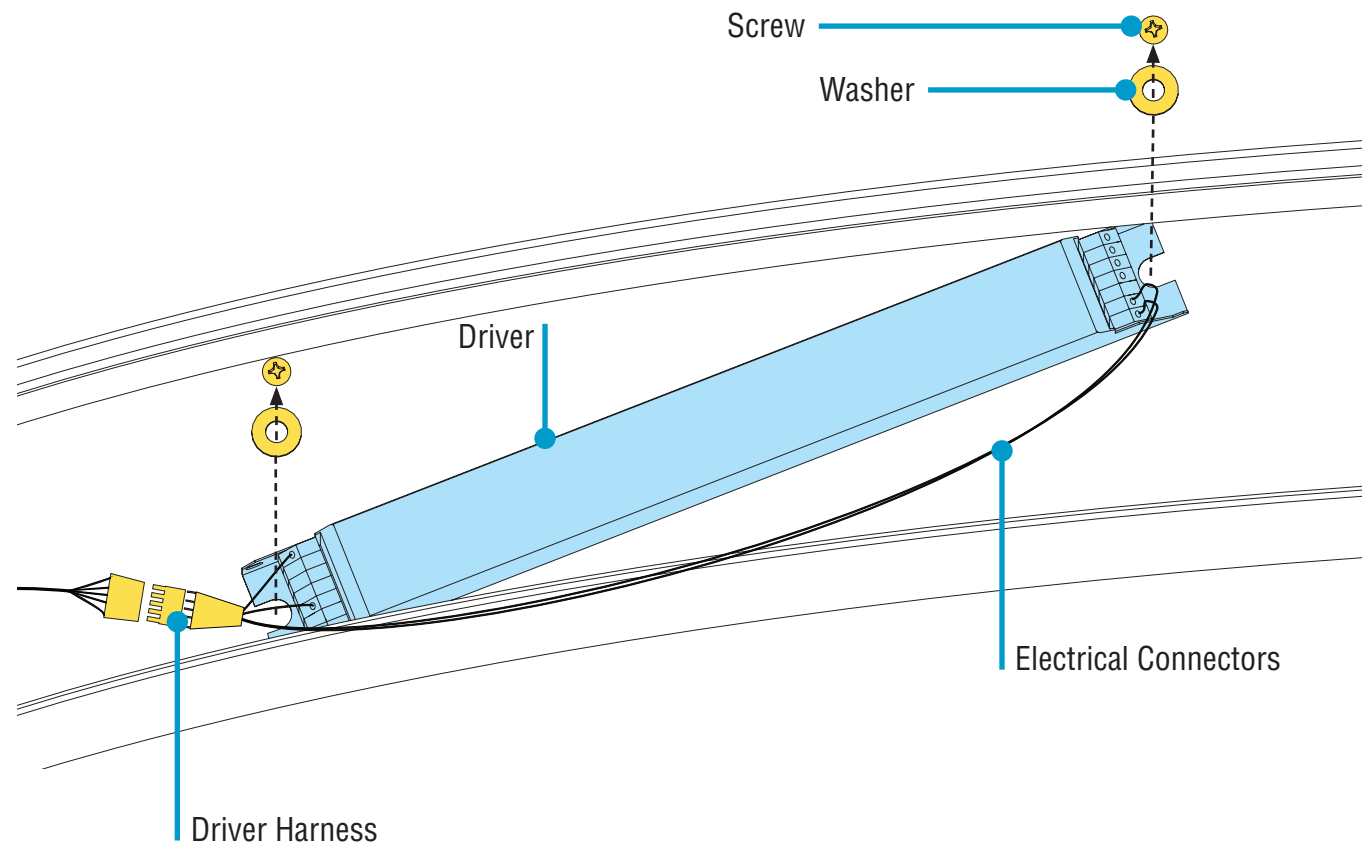


- **CAUTION:** Be careful when removing backplate. It may be connected by wiring harnesses.
- Carefully remove backplate.
- **NOTE:** Keep backplate hanging with safety cables connected.

HP-2 & HP-4 Circle 2', 3', & 4' Driver Replacement Instructions

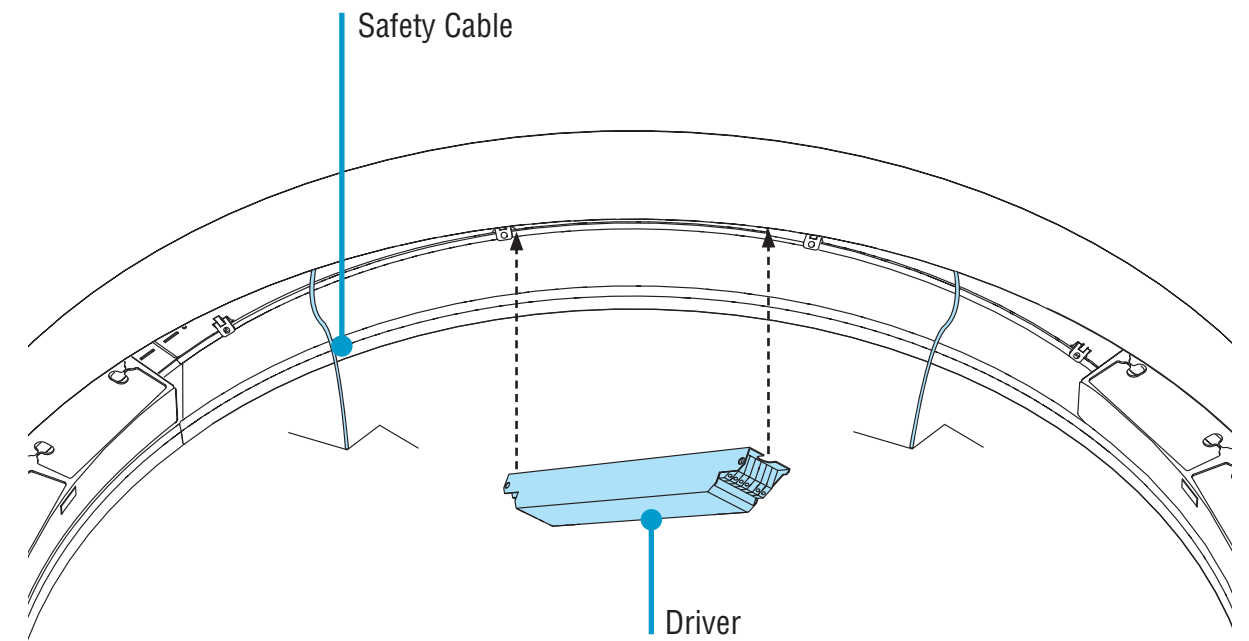
Step 2 - Remove & Replace Driver

A. Release Driver Bottom-Up View



- Release driver from luminaire by removing mounting screws and washers.
- Disconnect driver from driver harness.
- Once driver is free, disconnect electrical connections from driver.

B. Remove & Replace Driver Bottom-Up View



- **NOTE:** Keep backplate hanging with safety cables connected.
- Remove old driver and replace with new driver.
- Secure new driver by replacing washers and mounting screws.
- Reconnect driver harness and electrical connections to new driver.

WIRING LEGEND		
Black	Hot	Line Voltage
White	Neutral	Line Voltage
Green	Ground	
Pink	Dimming	0-10V DC
Purple	Dimming	0-10V DC

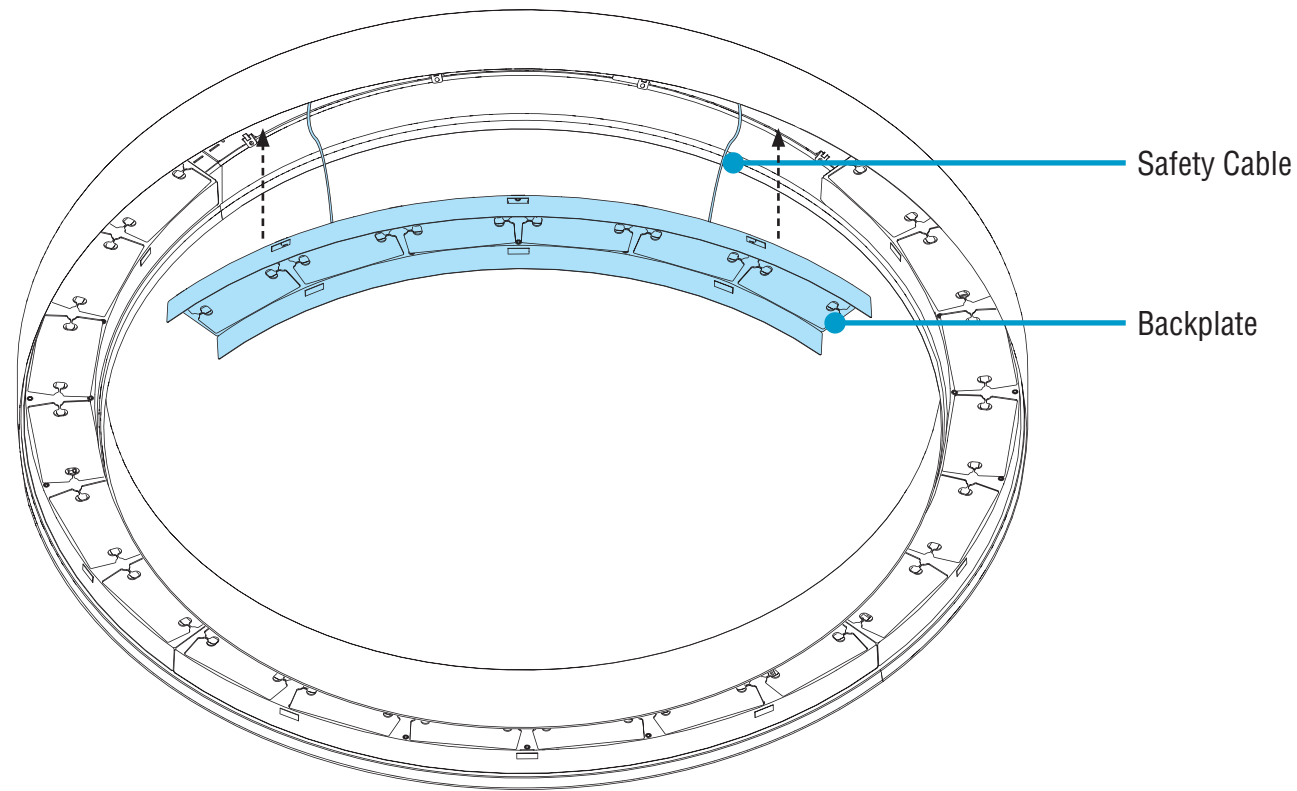


0-10V
Dimming

HP-2 & HP-4 Circle 2', 3', & 4' Driver Replacement Instructions

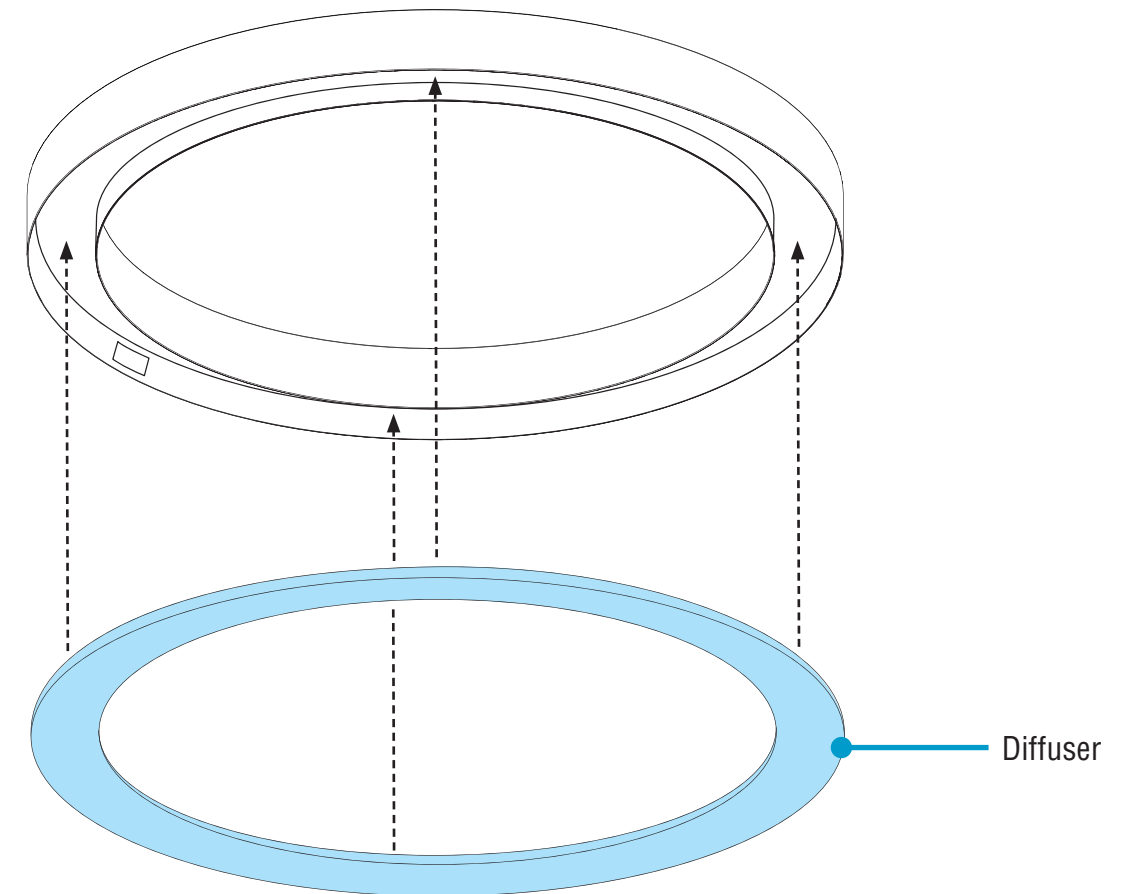
Step 3 - Closing Luminaires

A. Replace Backplate Bottom-Up View



- **NOTE:** Keep backplate connected to safety cables.
- Carefully replace backplate by snapping back into clips.

B. Replace Diffuser Bottom-Up View



- **CAUTION:** Wear gloves to keep diffuser surface clean.
- Replace diffuser and turn power on to luminaire.



Circle
Diffuser
Installation