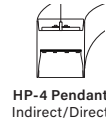


# Pendant Mounting and Feed Guide


## Circle (HP-4 C and HP-2 C)



**FINELITE®**  
Better Lighting

Customer: \_\_\_\_\_ Job: \_\_\_\_\_ PO: \_\_\_\_\_

### SUSPENSION TYPES



**Fully Adjustable**  
1/4 X 20 threaded coupler

**50" Standard**  
89512

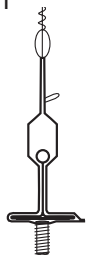


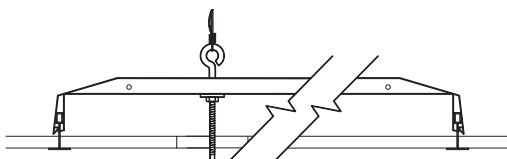

**100" Standard**  
89513

**150" Standard**  
89514





**Custom**

### MOUNTING HARDWARE

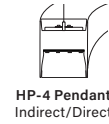
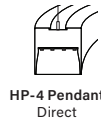
See pg. 3 for On-Grid Mounting Guide

<input type="checkbox"/> <b>On-Grid 1" T-Bar Support</b> 94001  <b>C1</b>	<input type="checkbox"/> <b>On-Grid 9/16" T-Bar Support</b> 94020  <b>C2</b>	<input type="checkbox"/> <b>On-Grid 1" Screw Slot T-Bar Support</b> 94029  <b>C3</b>
<input type="checkbox"/> <b>Caddy 512 HD Between T-Bar Supports</b> 89316 		<input type="checkbox"/> <b>9/16" Screw Slot HD with Extended Stud for Tegular Tile</b> 94029 & 94067 

### POWER FEED

<input type="checkbox"/> <b>Straight 18/5 SJT Cord</b> 96105  1 Circuit + 0-10V Dimming	<input type="checkbox"/> <b>Straight 18/3 SJT Cord</b> 96099  No 0-10V Dimming Control	<input type="checkbox"/> <b>Straight 18/5 SJT Cord 2 Circuit</b> 96105  No 0-10V Dimming Control	<input type="checkbox"/> <b>Cord and Plug</b> 
--	--	--	--

# Pendant Mounting and Feed Guide Circle (HP-4 C and HP-2 C)



**FINELITE®**  
*Better Lighting*

Customer: \_\_\_\_\_ Job: \_\_\_\_\_ PO: \_\_\_\_\_

<b>Finelite Standard</b>	<p><b>Power Connection &amp; Support</b></p> <p><input type="checkbox"/> Finelite GridBox™ Flex supplied by others.</p> <p>89330</p>	<p><b>Non-Power Connection &amp; Support</b></p> <p><input type="checkbox"/> 2" Canopy</p> <p>89331</p>
--------------------------	--	---

\* Supplied with 5" Canopy.

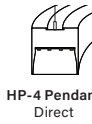
<b>Options</b>	<p><input type="checkbox"/> Dual GridBox™ Connection</p> <p>89332 Flex supplied by others</p>	<p><input type="checkbox"/> GridBox™ Connection Tegular Tile</p> <p>89335</p>	<p><input type="checkbox"/> 3.5" Canopy</p> <p>89333</p>	<p><input type="checkbox"/> 2" Canopy Tegular Tile</p> <p>89200</p>	
	<p><input type="checkbox"/> J-Box Feed Support*</p> <p>89111</p>	<p><input type="checkbox"/> J-Box Support*</p> <p>89210</p>			
<b>Options</b>	<p><input type="checkbox"/> Offset J-Box Surface Mount*</p> <p>↔ up to 24" ↔</p> <p>81113</p>	<p><input type="checkbox"/> Offset J-Box T-Bar Support*</p> <p>89106</p>	<p><input type="checkbox"/> Surface Mount (Standard)</p> <p>89225</p>	<p><input type="checkbox"/> Surface Mount (Optional)</p> <p>89334</p>	
	<p><input type="checkbox"/> Dual Offset J-Box Surface Mount*</p> <p>↔ up to 24" ↔</p> <p>81111</p>	<p><input type="checkbox"/> Dual Offset J-Box T-Bar Support*</p> <p>89107</p>	<p><input type="checkbox"/> Custom Power Connection</p>	<p><input type="checkbox"/> Custom Power Connection</p>	<p><input type="checkbox"/> Custom Non-Power Connection</p>

**Hardware compatible with 4" octagonal J-Box. Consult Finelite Customer Service for pricing on all options.**

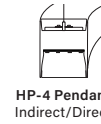
# Pendant Mounting and Feed Guide Circle (HP-4 C and HP-2 C)



HP-2 Pendant  
Direct



HP-4 Pendant  
Direct



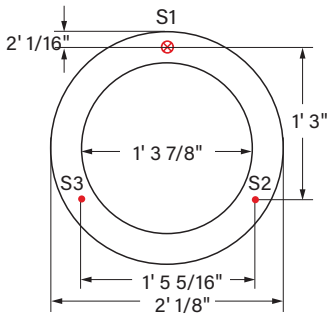
HP-4 Pendant  
Indirect/Direct



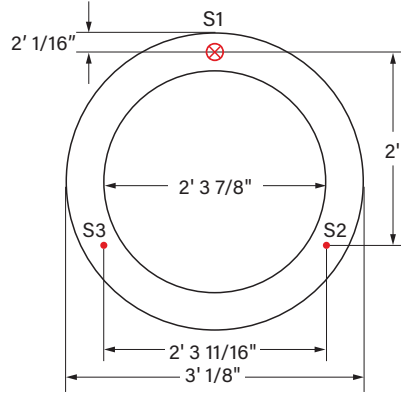
Customer: \_\_\_\_\_ Job: \_\_\_\_\_ PO: \_\_\_\_\_

## HP-4 Sizes (Top View)

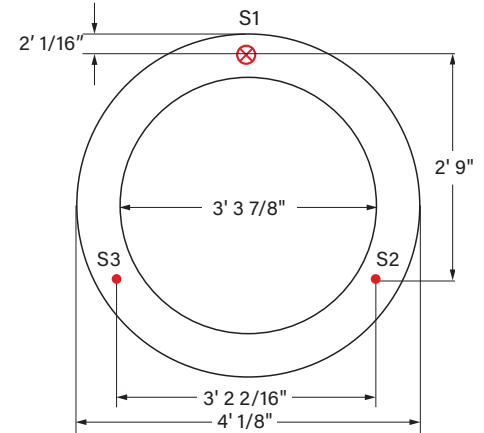
2' Diameter



3' Diameter

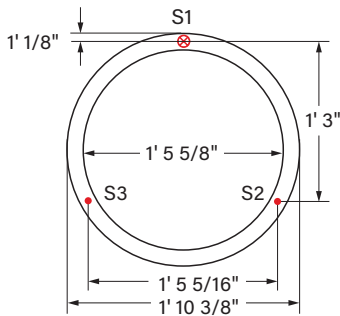


4' Diameter

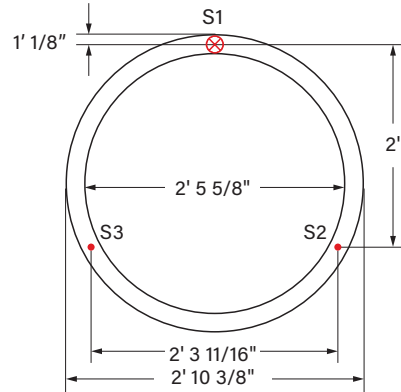


## HP-2 Sizes (Top View)

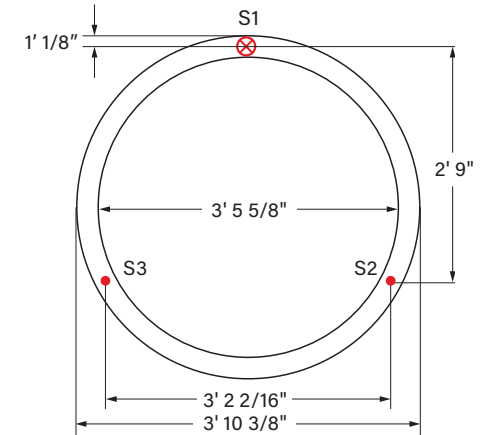
2' Diameter



3' Diameter



4' Diameter



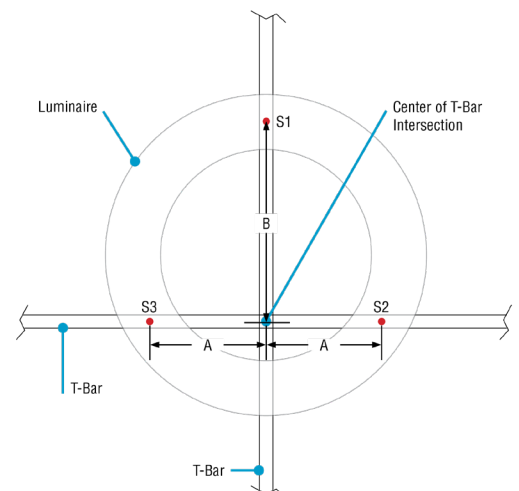
⊗ = Feed Location and suspension Point  
● = Suspension Point

## On-Grid Mounting Guide (Bottom View)

On-Grid Suspension Location	Label	Nominal Circle Diameter (ft)		
		2	3	4
Suspension Point 1 (S1) Distance	B	15"	24"	33"
Suspension Point 2 & 3 (S2, S3) Distance	A	8-11/16"	13-7/8"	19-1/16"

Measure from Center of T-Bar Intersection to Suspension Points

● = Suspension Point



© 2021 FINELITE, INC. ALL RIGHTS RESERVED CPG0102\_V2 02/21