

HP-2 Indirect/Direct Acoustic Baffle Lit Installation Instructions

Regressed Luminaires Use Same Instructions

Overview

FINELITE[®]
Better Lighting

NOTES

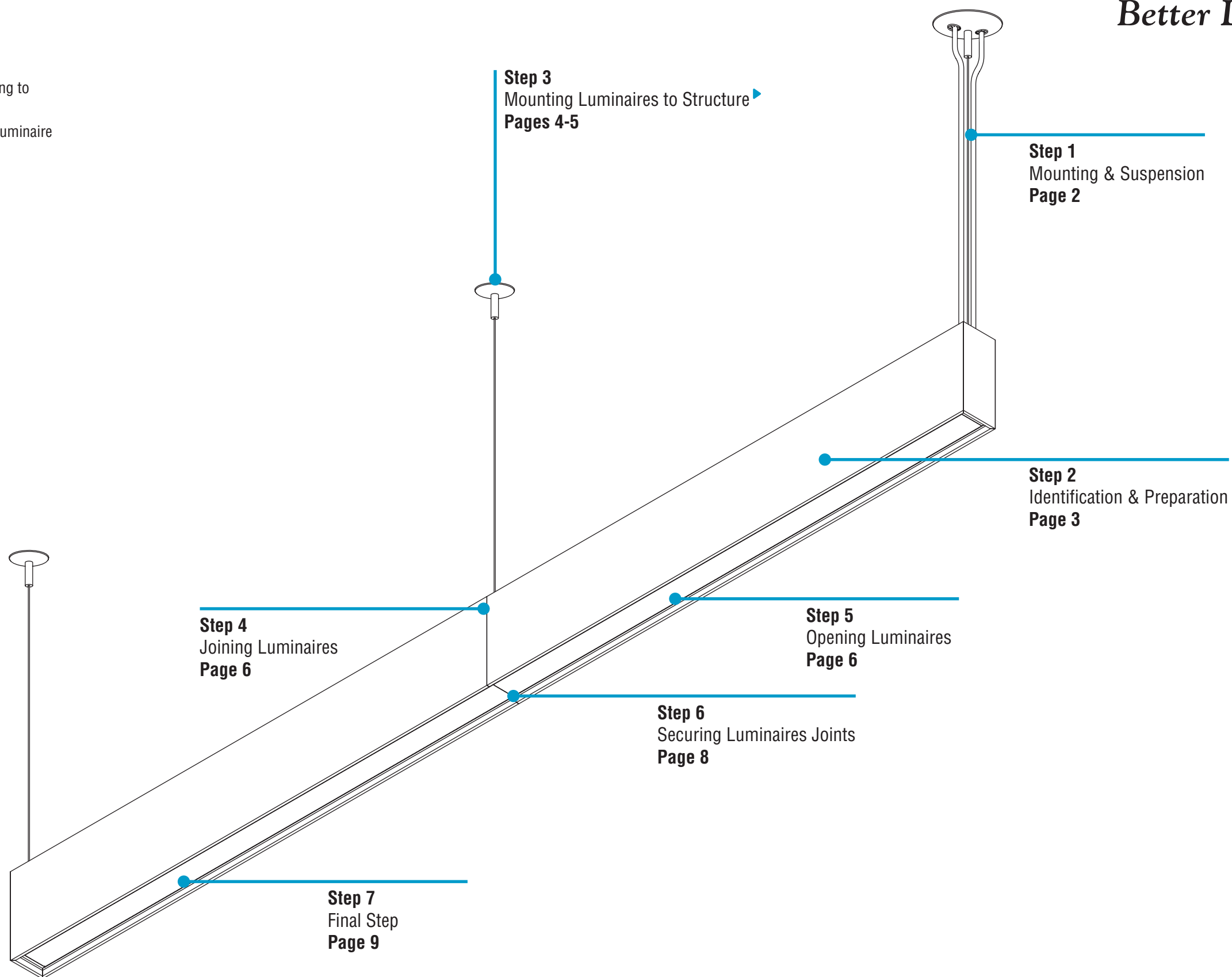
- All power connections should be installed according to local/national codes by a Certified Electrician.
- This installation requires **proper support** as each luminaire is being installed.



HELPFUL
VIDEO



Full Installation
Video



HP-2 Indirect/Direct Acoustic Baffle Lit Installation Instructions

Step 1 - Mounting & Suspension

Mounting Options

Option 1 T-Bar Mounting - GridBox™ and Caddy Clips

- **Illuminated Unit Only:** Install GridBox™ and electrical conduit at feed locations.
- Install caddy clips at mounting point locations.
- All caddy clips are to be secured to structure, per local building codes.

Option 2 Drywall (C4) or other hard surfaces* - J-Box and Anchor Bolts

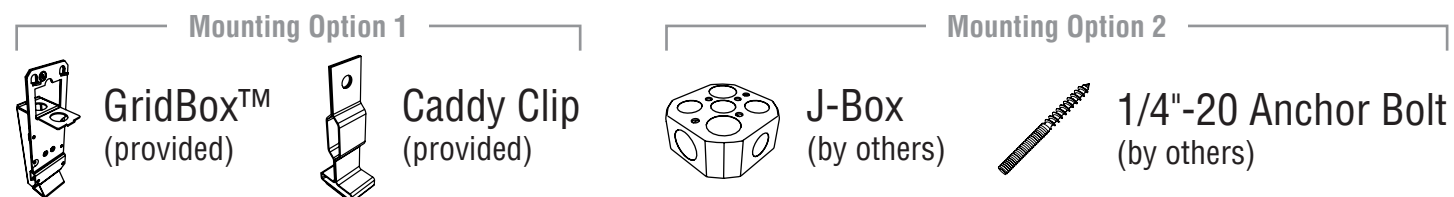
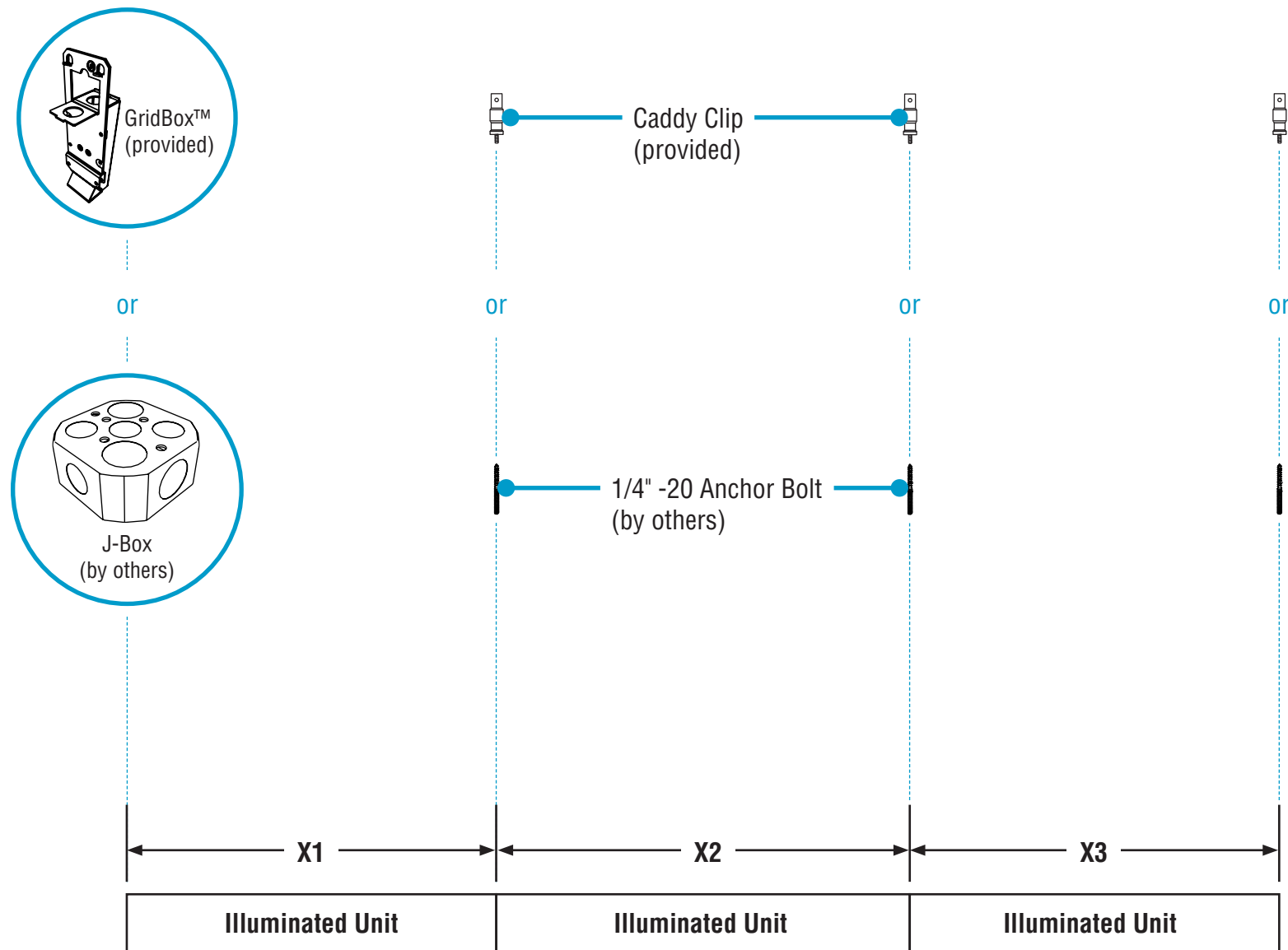
- **Illuminated Unit Only:** Install J-Box and electrical conduit at feed locations.
- Install anchor bolts at mounting point locations.
- All anchor bolts are to be secured to structure, per local building codes.

* Other hard surfaces include: wood, sheet metal panels, steel beams, concrete, or masonry. Use hardware appropriate for each surface material type.

Suspension Locations

X = Suspension Dimensions

Refer to Record Drawings and building plans to determine exact mounting, suspension points, and power feed locations.



HP-2 Indirect/Direct Acoustic Baffle Lit Installation Instructions

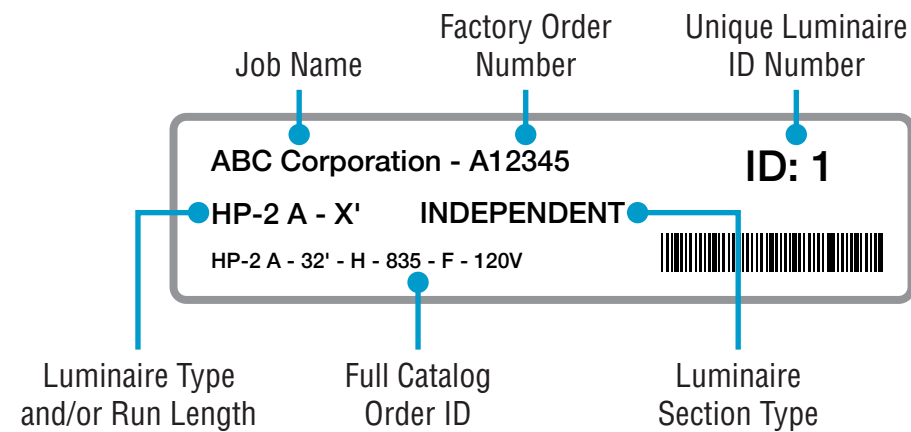
Step 2 - Identification & Preparation

A. Identify Luminaires



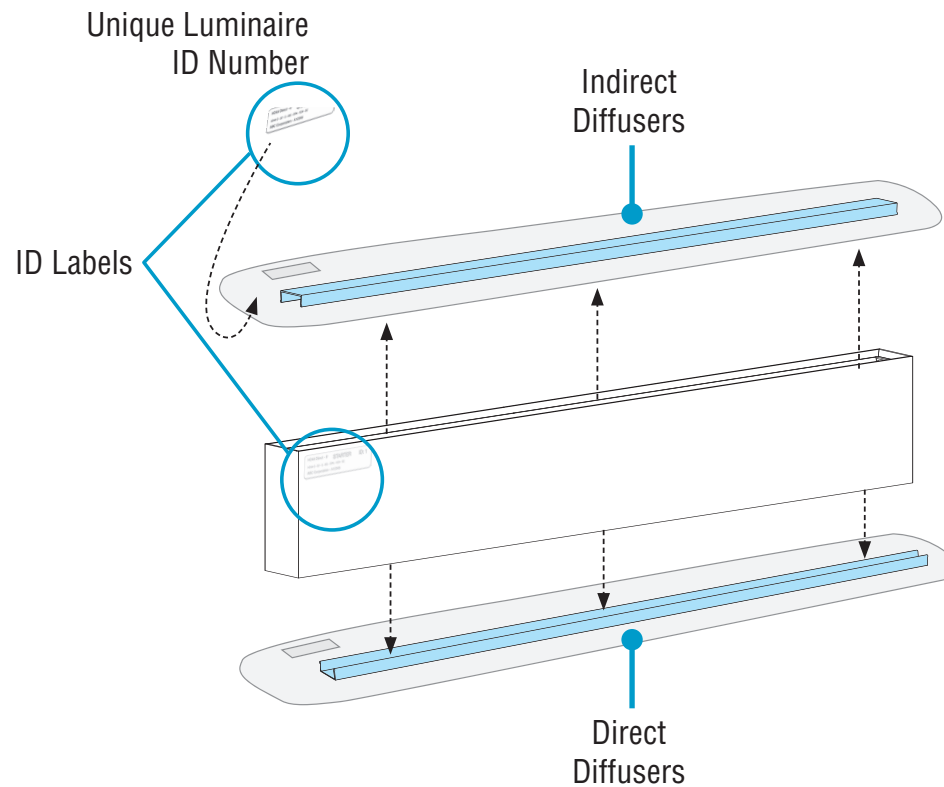
Arrange luminaires in order according to ID# at their install locations.

CAUTION



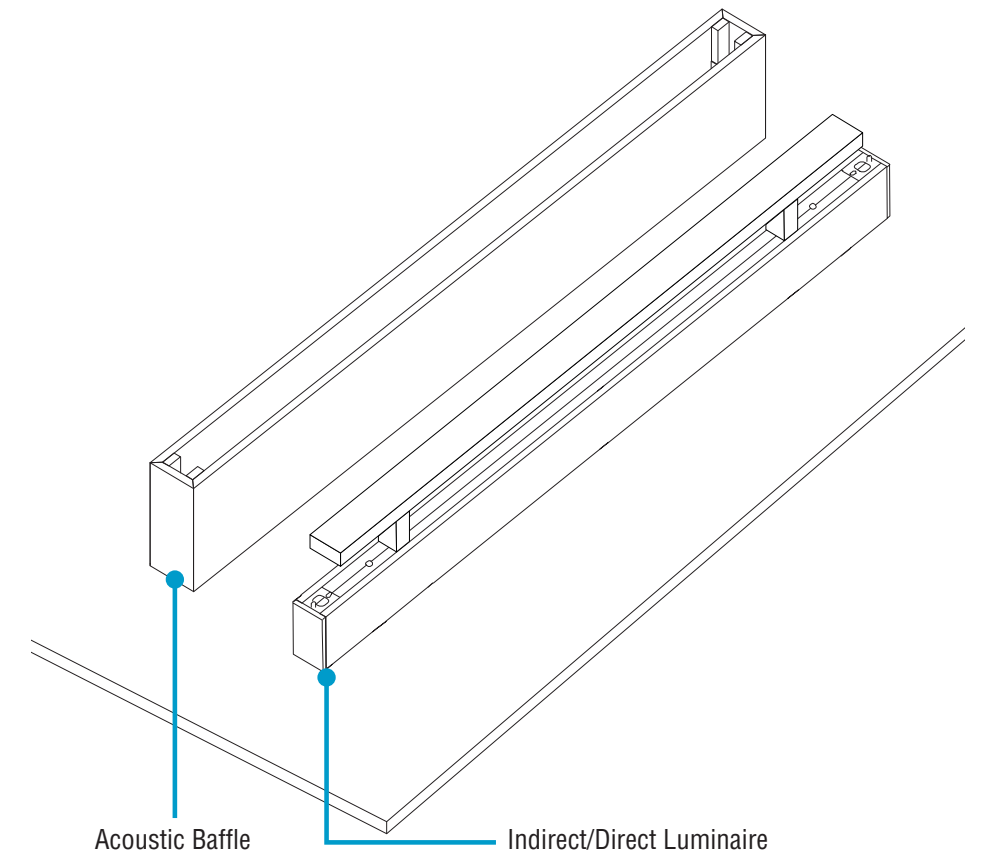
- Identify all luminaires by their ID label that can be found on the box, the protective bag, and inside the luminaire.
- NOTE:** Exact location of labels in these areas may vary.
- Remove all luminaires from their box.
- Refer to Record Drawings that can be found in the hardware kit.

B. Remove Diffusers Top-Down View



- Carefully remove all diffusers, keeping them inside their protective bag.
- Set aside all diffusers to prevent them from getting dirty or damaged.
- Ensure diffusers can be clearly identified back to their corresponding luminaire.

C. Setup Top-Down View



- Remove Acoustic wrap from fixture to install suspension hardware.

Kitted Hardware

- Finelite has provided items listed here, with their Finelite part numbers. These items can be found in separate boxes shipped with the luminaire.
- Account for all parts and set aside until they are needed.
- All other hardware needed for this installation will be by others.

Mounting Option 1

- GridBox™**
Part# 89159
- Dual GridBox™**
Part# 89199
Mounting & Suspension p. 2, Step 1
- Caddy Clip**
C1 Ceiling - Part# 94001
C2 Ceiling - Part# 94020
C3 Ceiling - Part# 94029
Mounting & Suspension p. 2, Step 1
- 3-1/2" Canopy**
Part# 89191
- 3-1/2" Dual Feed Canopy**
Part# 89192
Mounting Illuminated Unit p. 4-5, Step 3
- 3-1/2" T-Bar Support Canopy**
Part# 89193
Mounting Illuminated Unit p. 4-5, Step 3
Mounting Non-Illuminated Unit p. 7

Mounting Option 2

- 5" Canopy**
Part# 94085
- 5" Dual Feed Canopy**
Part# 94145
Mounting Illuminated Unit p. 4-5, Step 3
- 2" Drywall Support Canopy**
Part# 94017
Mounting Illuminated Unit p. 4-5, Step 3
Mounting Non-Illuminated Unit p. 7

- Gripper**
Part# 68129
Mounting Illuminated Unit p. 4-5, Step 3
Mounting Non-Illuminated Unit p. 7
- Safety Bar**
Part# 93500
Mounting Illuminated Unit p. 4-5, Step 3
Mounting Non-Illuminated Unit p. 7
- Safety Crimp**
Part# 94514
Mounting Illuminated Unit p. 4-5, Step 3
Mounting Non-Illuminated Unit p. 7

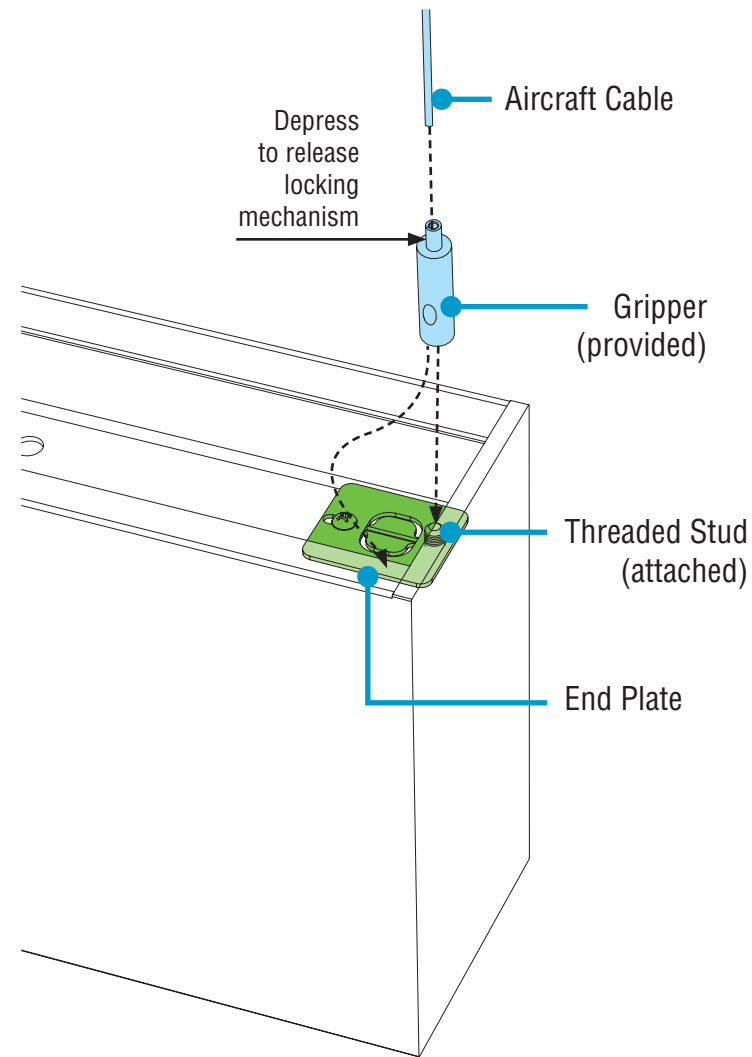
- Cable Bushing**
Part# 94014
- Aircraft Cable**
50" - Part# 94515-12 (Std.)
100" - Part# 94515-14
150" - Part# 94515-18
Mounting Illuminated Unit p. 4-5, Step 3
Mounting Non-Illuminated Unit p. 7
- Slip Ring w/ Set Screw**
Part# 94015
Mounting Illuminated Unit p. 4-5, Step 3

- End Cable Centering Bracket**
Part# 29658
Mounting luminaire to Structure p. 4, Step 3
- Joiner Clamp**
Part# 29635
Mounting luminaire to Structure p. 6, Step 4
- #6x1" Flat Head Screw**
Part# 94345
Mounting Illuminated Unit p. 4, Step 3 & p. 6, Step 4

HP-2 Indirect/Direct Acoustic Baffle Lit Installation Instructions

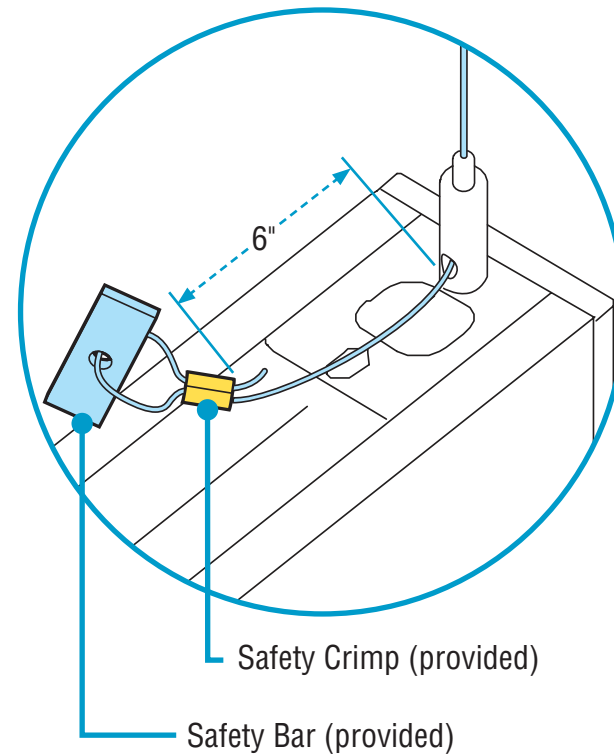
Step 3 - Mounting Luminaire to Structure

A. Install Aircraft Cables Top-Down View



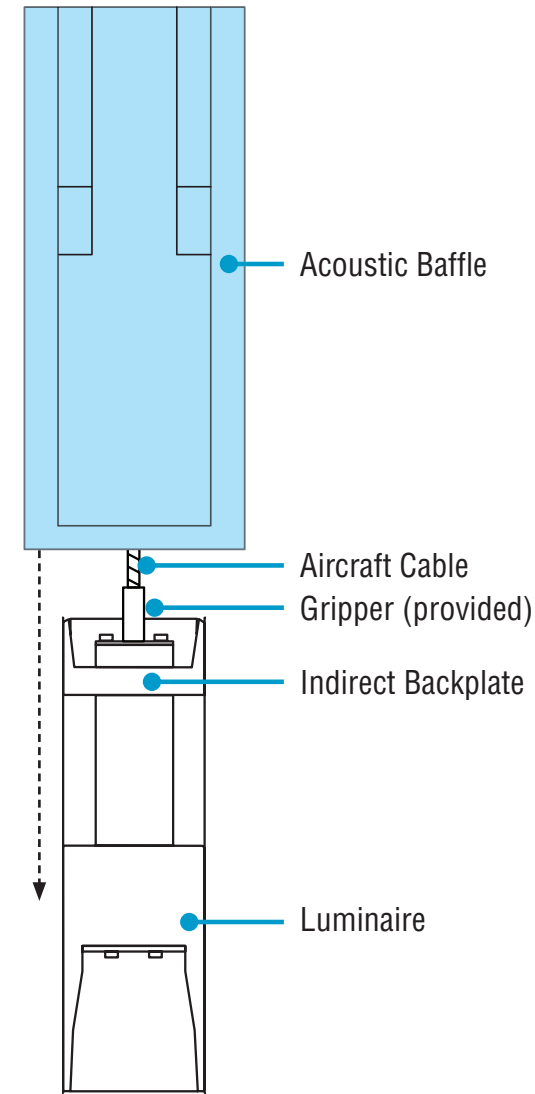
- Attach grippers onto threaded stud.
- Feed the aircraft cable through gripper.

B. Crimp Cables Top-Down View



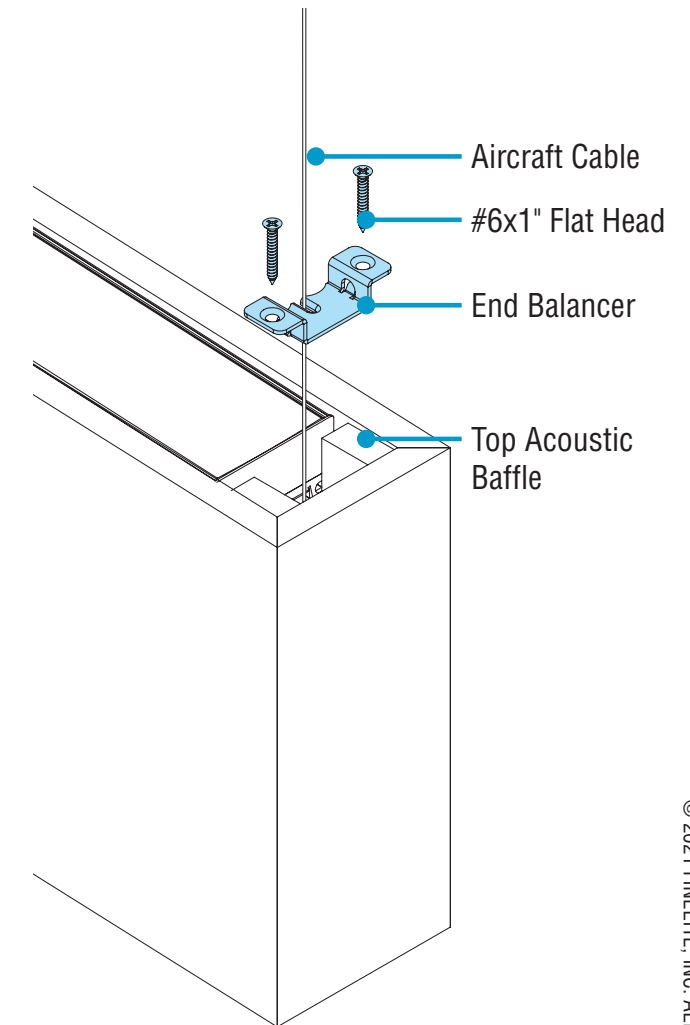
- Estimate required length of cable and add 8"
- Loop cable through safety crimp and safety bar, then back through safety crimp.
- Crimp, then cut excess cable. Remaining 6" of cable.

C. Install Acoustic Baffle Side View



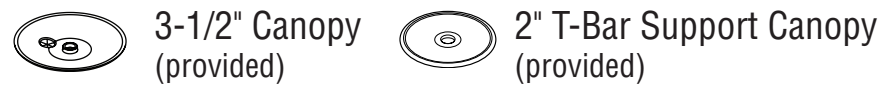
- Carefully slide Acoustic Baffle to cover ID Luminaire with Aircraft Cable through to the Acoustic Baffle top opening.

D. Install End Balancer Top-Down View

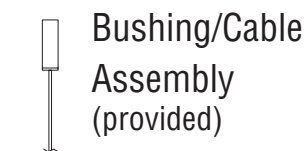
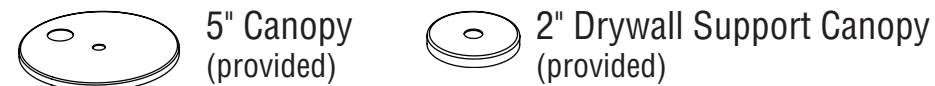


- Install End Balancer Bracket with 2 #6x1" Flat Head Screws

Mounting Option 1 (shown)



Mounting Option 2

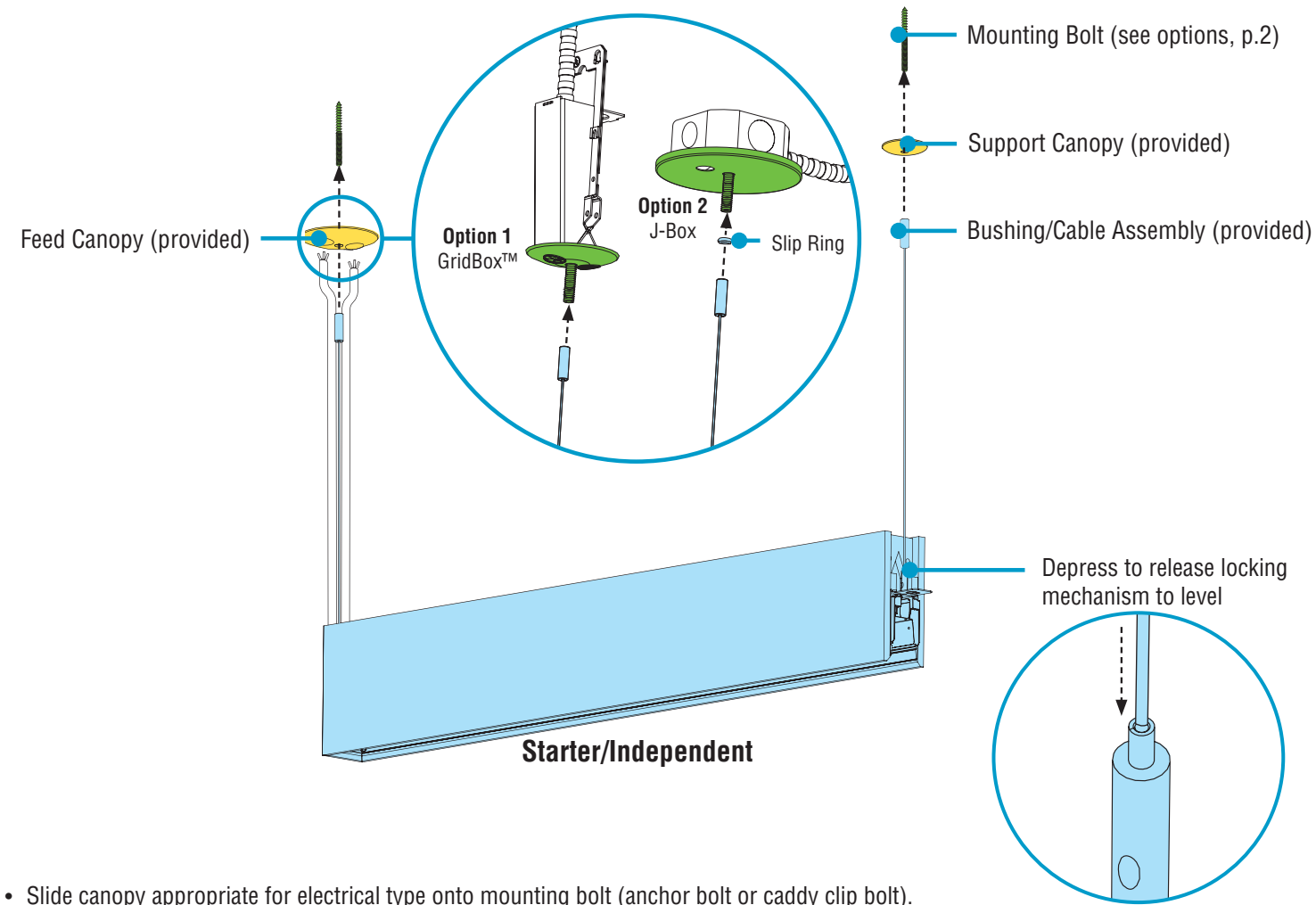


Aircraft Cable Installation

HP-2 Indirect/Direct Acoustic Baffle Lit Installation Instructions

Step 3 - Mounting Luminaire to Structure

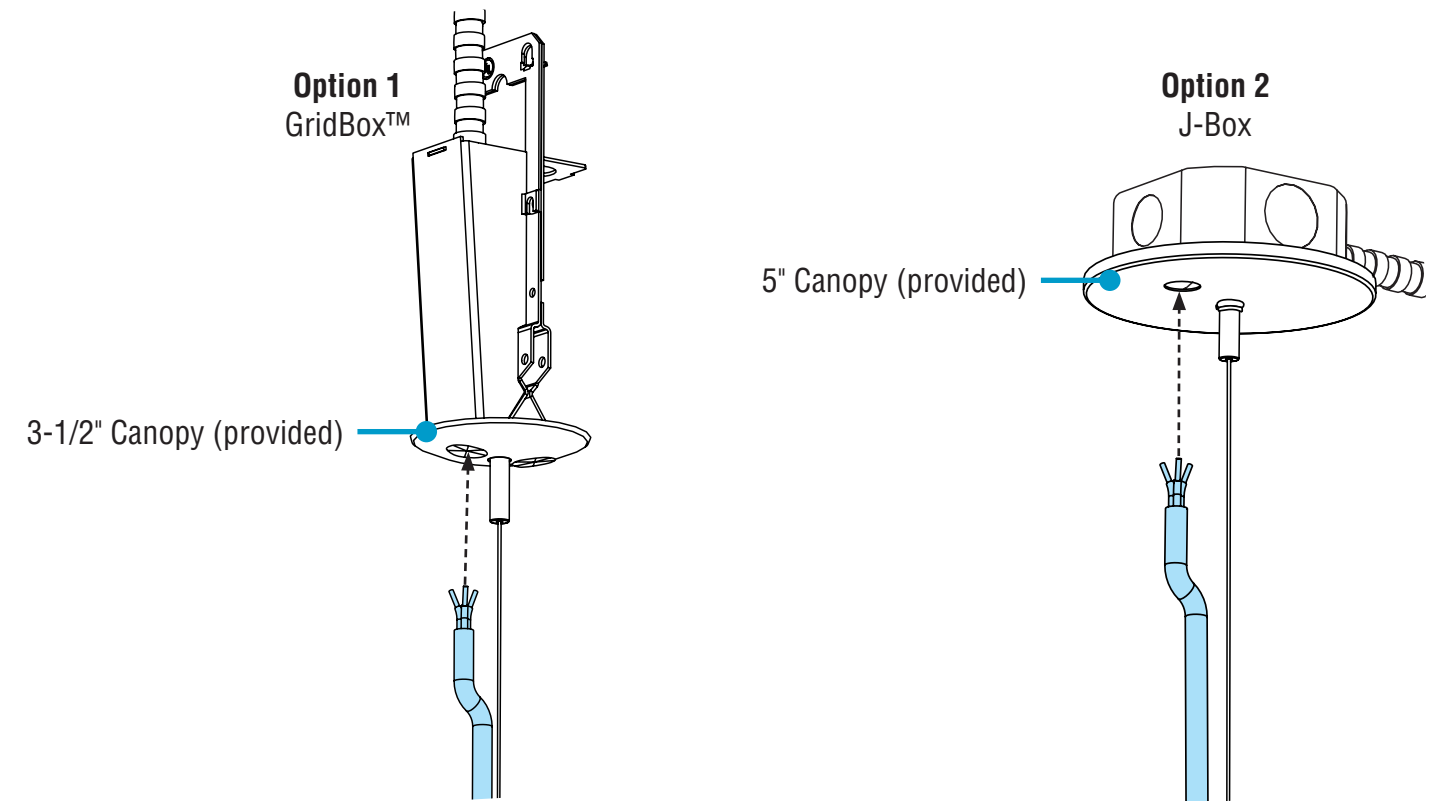
E. Mounting Illuminated Unit to Structure Bottom-Up View



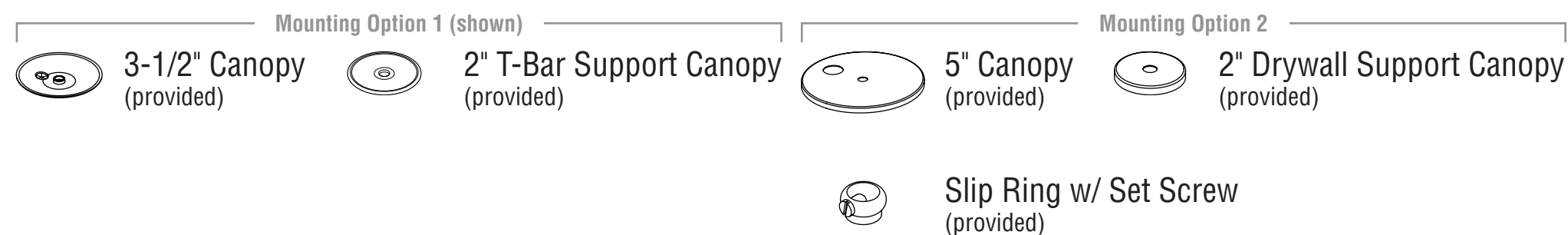
- Slide canopy appropriate for electrical type onto mounting bolt (anchor bolt or caddy clip bolt).
- **(Option 2)** Thread the slip ring onto bushing.
- While properly supporting luminaire, maneuver luminaire to ceiling. Thread the bushing/cable assembly onto mounting bolts.
- **CRITICAL:** Level each luminaire to desired height by depressing top of gripper to adjust cable length.

Mounting Options

WIRING LEGEND		
Black	Hot	Line Voltage
White	Neutral	Line Voltage
Green	Ground	
Pink	Dimming	0-10V DC
Purple	Dimming	0-10V DC



- **(Option 1)** Feed power cord through the 3-1/2" canopy and connect wires inside the GridBox™.
- **(Option 2)** Feed power cord through the 5" canopy and connect wires inside the J-Box.
- **CRITICAL:** If installing an independent luminaire, perform all leveling. **PROCEED TO STEP 7, PAGE 9.**



0-10V
Dimming

HP-2 Indirect/Direct Acoustic Baffle Lit Installation Instructions

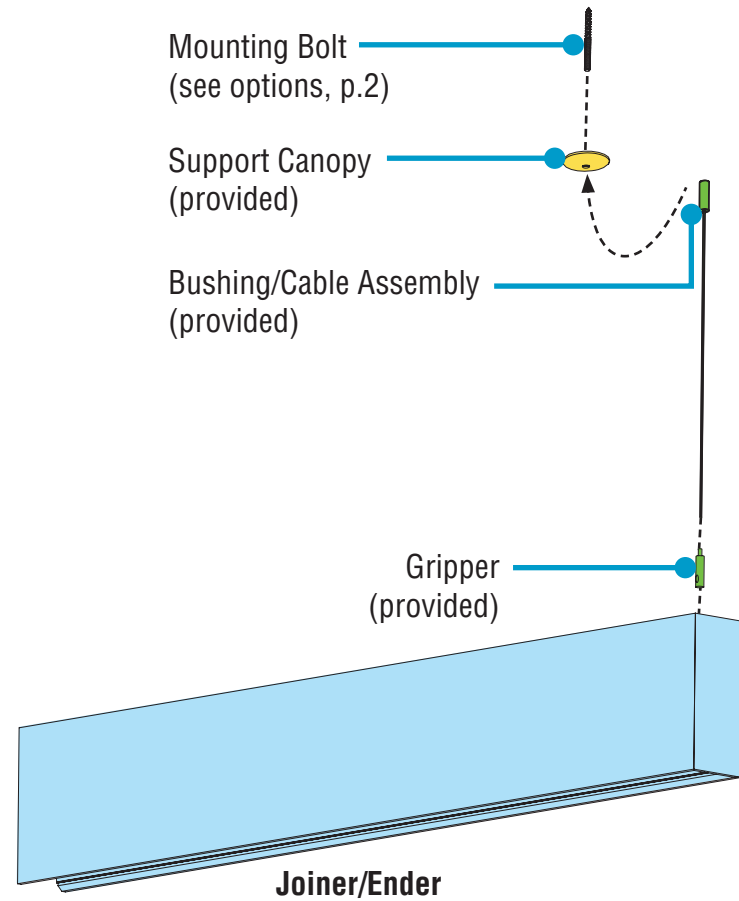
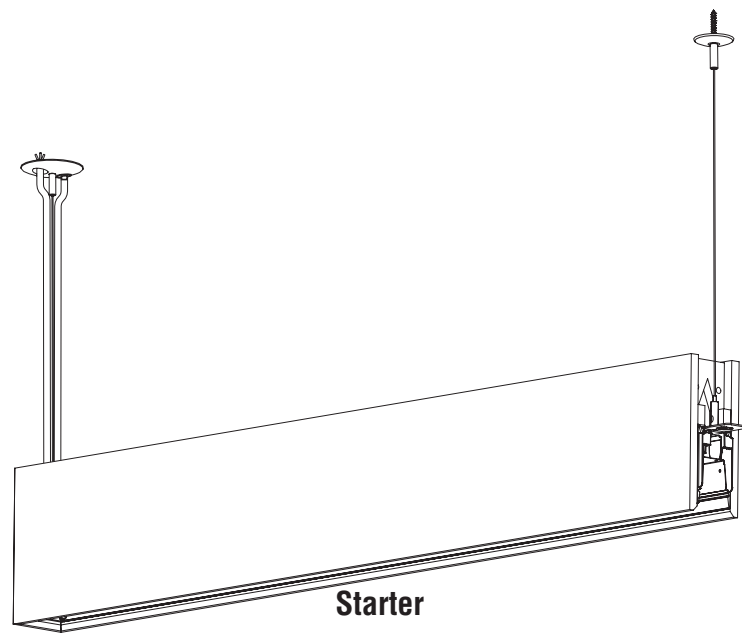
Step 4 - Joining Luminaires

A. Mount Joiner/Ender to Structure Bottom-Up View

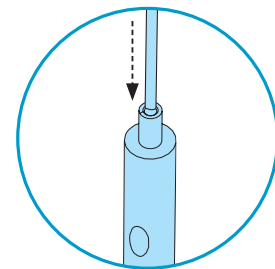


CAUTION

DO NOT attempt to join luminaires together on the floor. Damage may result when lifted. Follow these instructions.



Depress to release locking mechanism to level



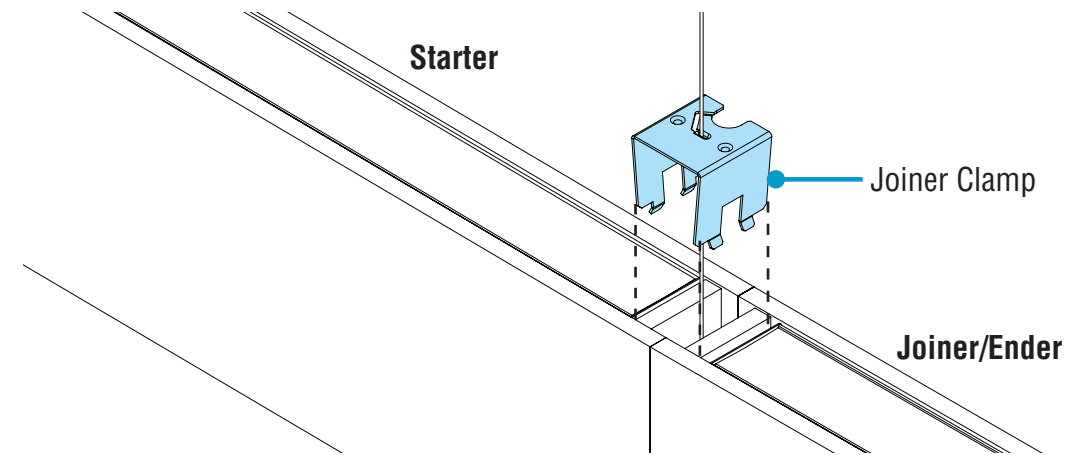
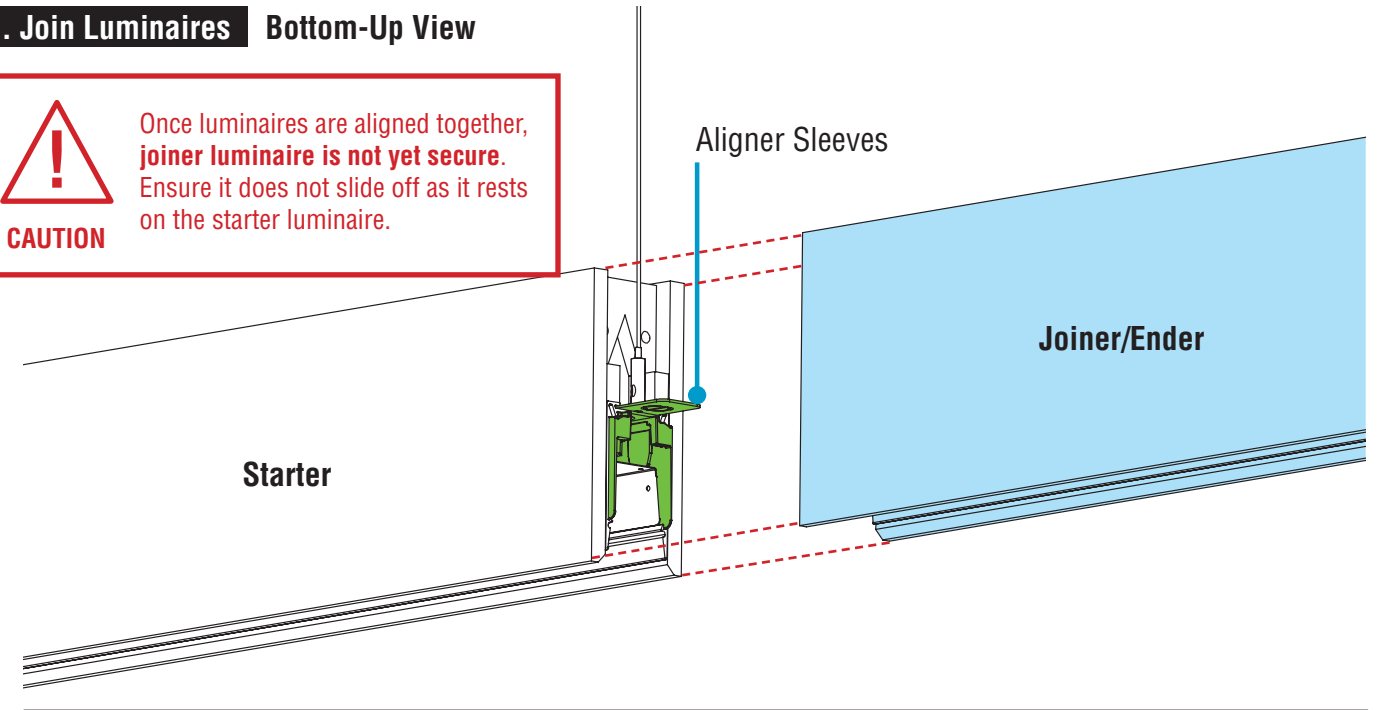
- While properly supporting luminaire, maneuver luminaire to ceiling
- Slide canopy appropriate for electrical type onto mounting bolt (anchor bolt or caddy clip bolt).
- Thread the bushing/cable assembly onto mounting bolt.
- **CRITICAL:** Level each luminaire to desired height by depressing top of gripper to adjust cable length before join. Level prior to moving on to the next step.

B. Join Luminaires Bottom-Up View



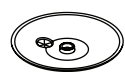
CAUTION

Once luminaires are aligned together, **joiner luminaire is not yet secure.** Ensure it does not slide off as it rests on the starter luminaire.

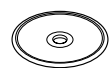


- Align joiner/ender luminaire with aligner sleeves on starter and slide together. Be careful not to damage any wiring.
- If necessary, lift both luminaires, then slide together.
- Place Joiner Clamp at joint (screws to be installed in Step 7)

Mounting Option 1 (shown)



3-1/2" Canopy (provided)

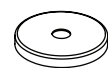


2" T-Bar Support Canopy (provided)

Mounting Option 2



5" Canopy (provided)



2" Drywall Support Canopy (provided)



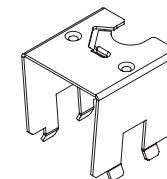
Slip Ring w/ Set Screw (provided)



Bushing/Cable Assembly (provided)



Gripper (provided)



Joiner Clamp (provided)



#6x1" Flat Head Screw (provided)



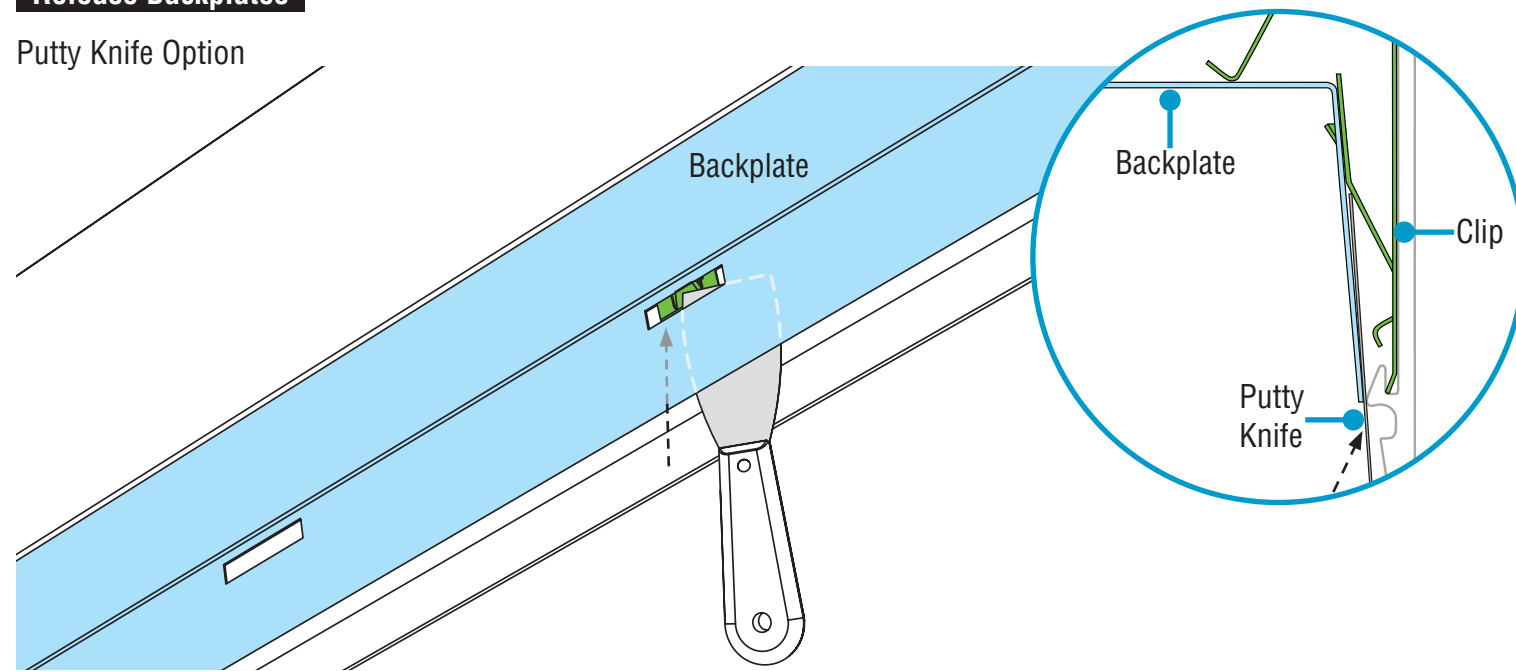
Joint Installation

HP-2 Indirect/Direct Acoustic Baffle Lit Installation Instructions

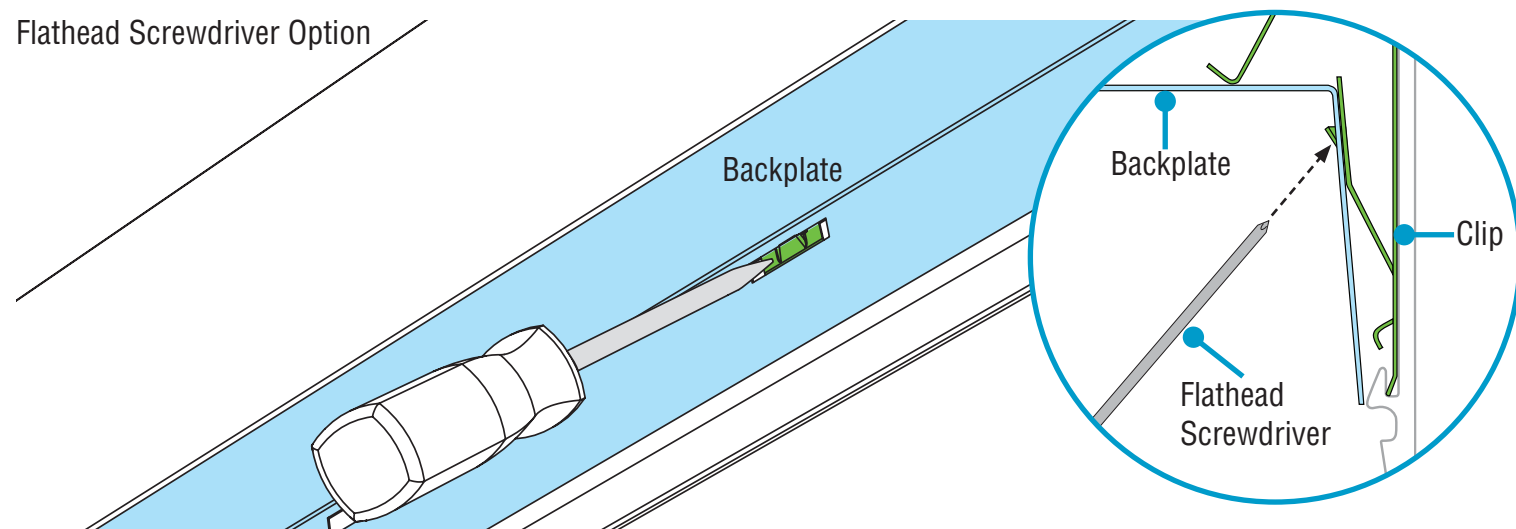
Step 5 - Opening Luminaires

Release Backplates

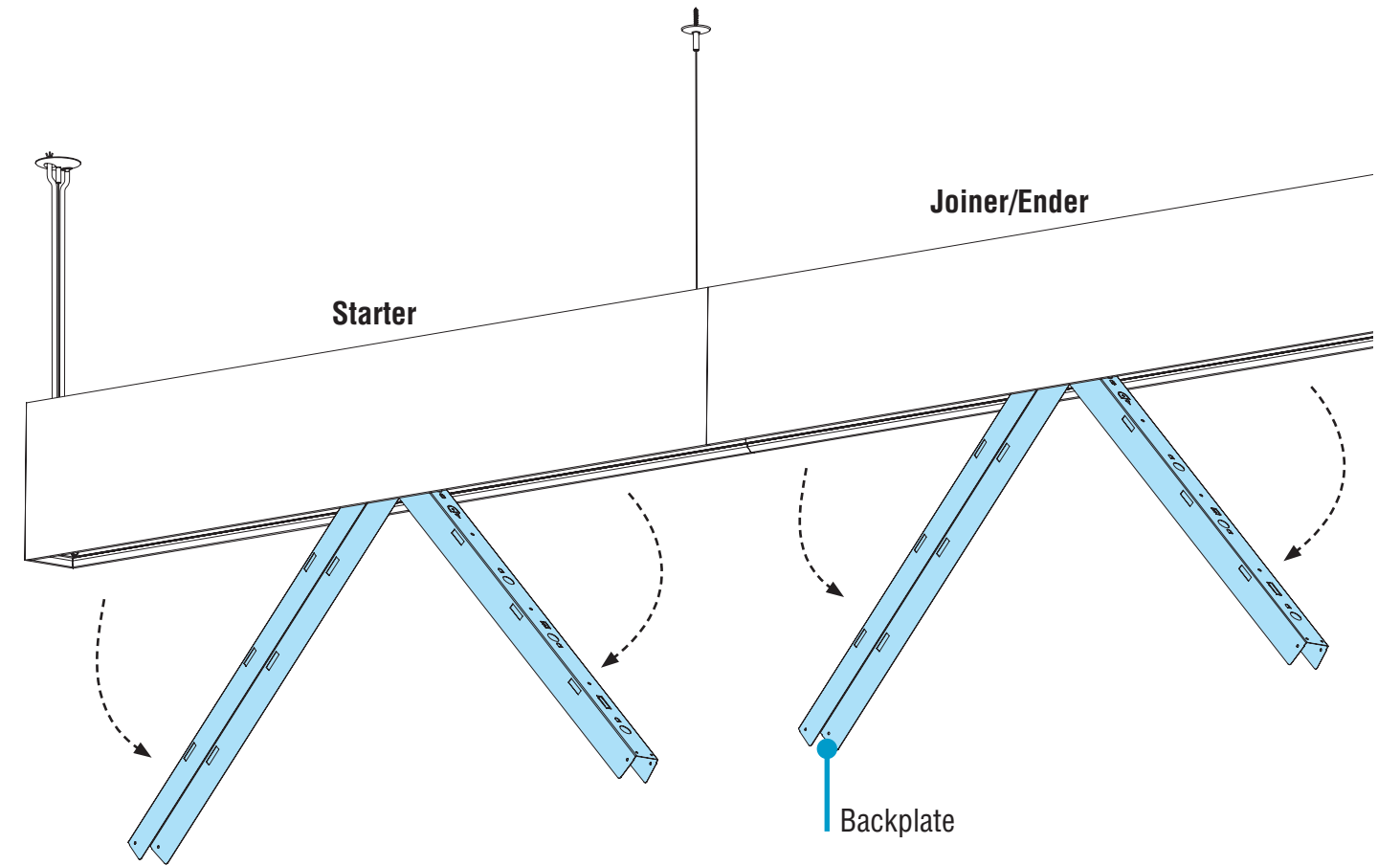
Putty Knife Option



Flathead Screwdriver Option



- **NOTE:** For independent luminaires, backplates do not need to be released.
- Release the backplates from clips by sliding the blade of a putty knife behind backplate edges.
- To use a flathead screwdriver, press end of screwdriver (from inside the luminaire) against the clip, until the backplate is released.

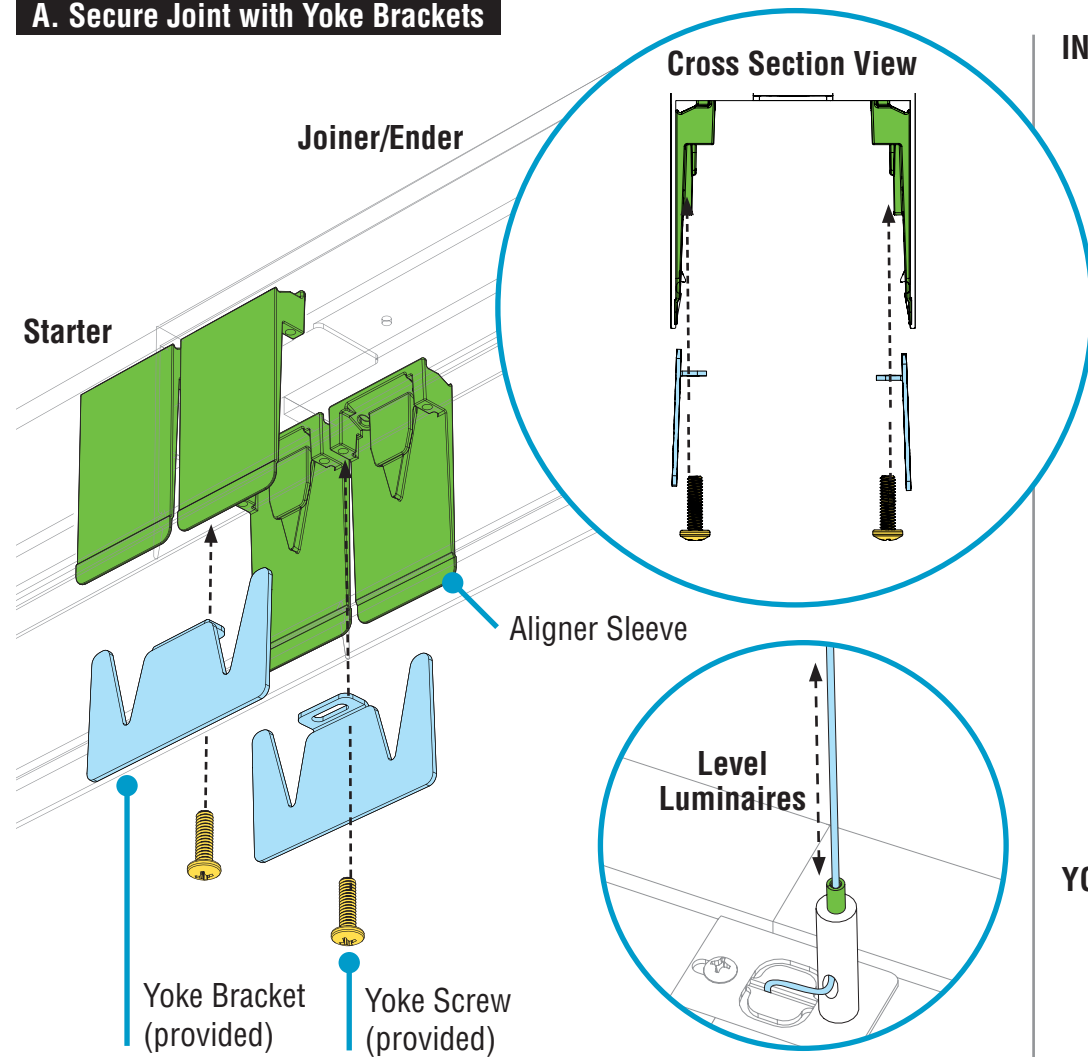


- Carefully rotate all backplates out and let them hang from luminaire body.

HP-2 Indirect/Direct Acoustic Baffle Lit Installation Instructions

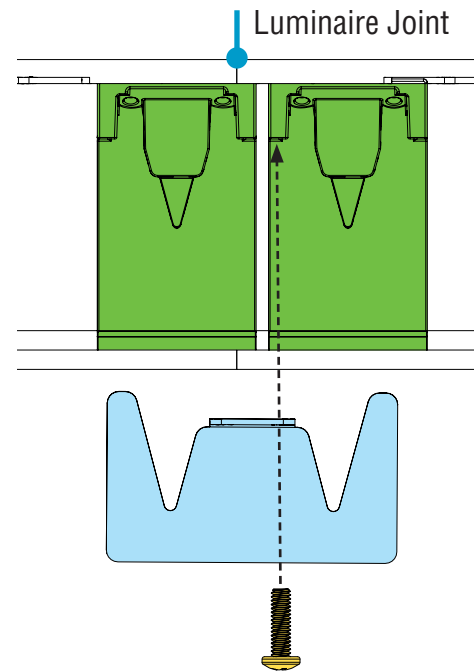
Step 6 - Securing Luminaire Joints

A. Secure Joint with Yoke Brackets

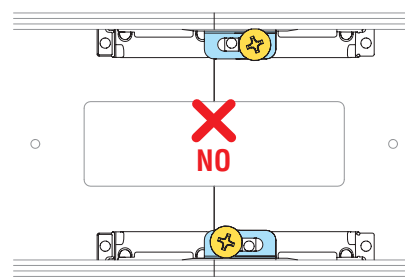


- **FOR SENSOR:** If luminaire contains a sensor at joint, refer to page 4 of Sensor Addendum before Securing Luminaire Joints.
- Before installing yoke brackets, ensure the joining ends of luminaires meet flush and square.
- **CRITICAL:** Ensure yoke brackets properly engage with aligner sleeves.
- Secure joint by threading (but not yet tightening) yoke screws through yoke brackets and into the aligner sleeves.
- Level all luminaires to desired height by depressing top of grippers to adjust cable lengths.
- Tighten yoke screws¹ until joint seam of luminaires is closed.

IN ALIGNMENT

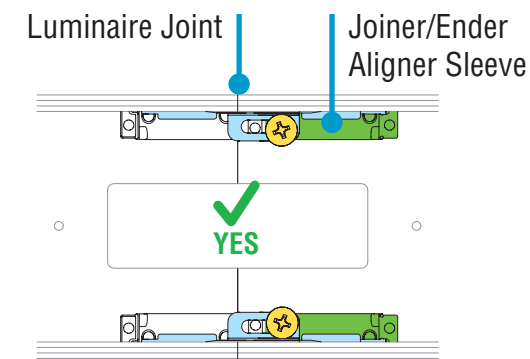
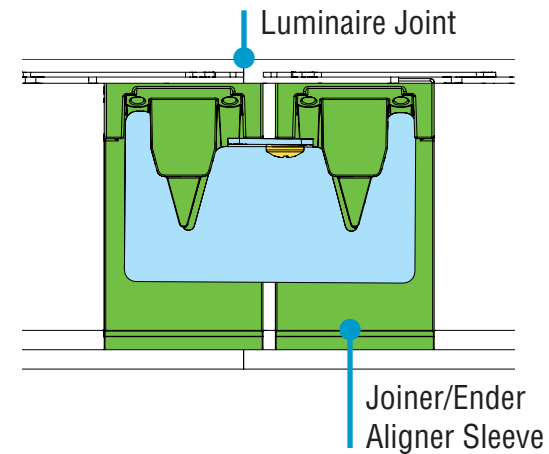


YOKE SCREW ALIGNMENT Bottom Up View

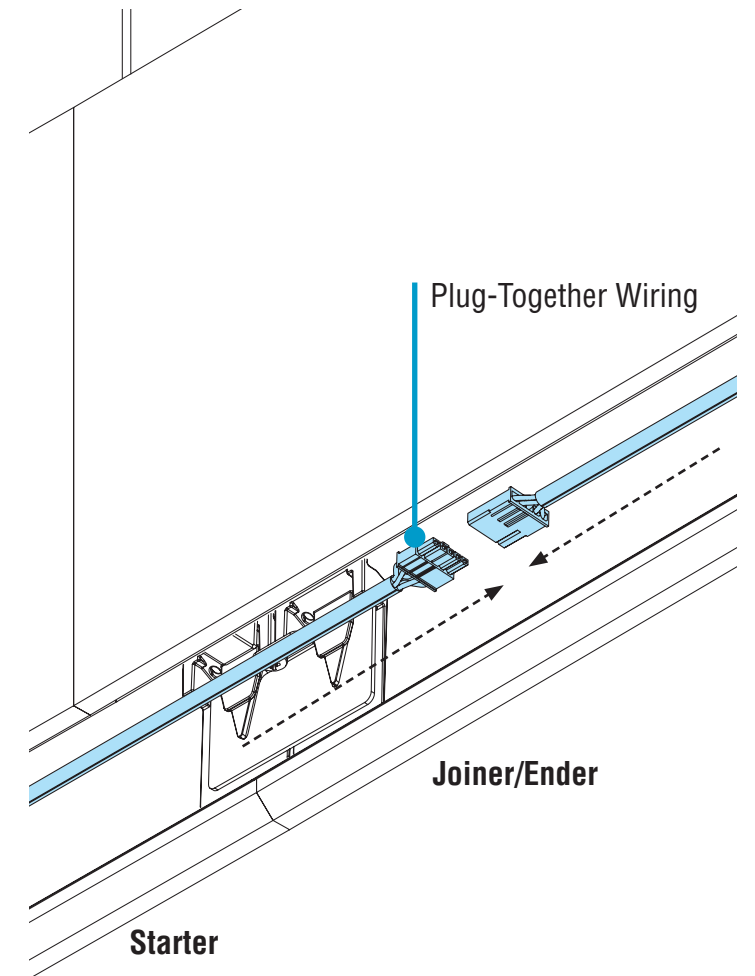


NOTE: Yoke screws should be installed directly across from each other, not diagonally, and in holes furthest from the joint line. One yoke screw per one yoke bracket.

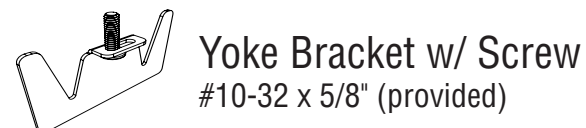
CORRECTLY INSTALLED



B. Make Electrical Connections



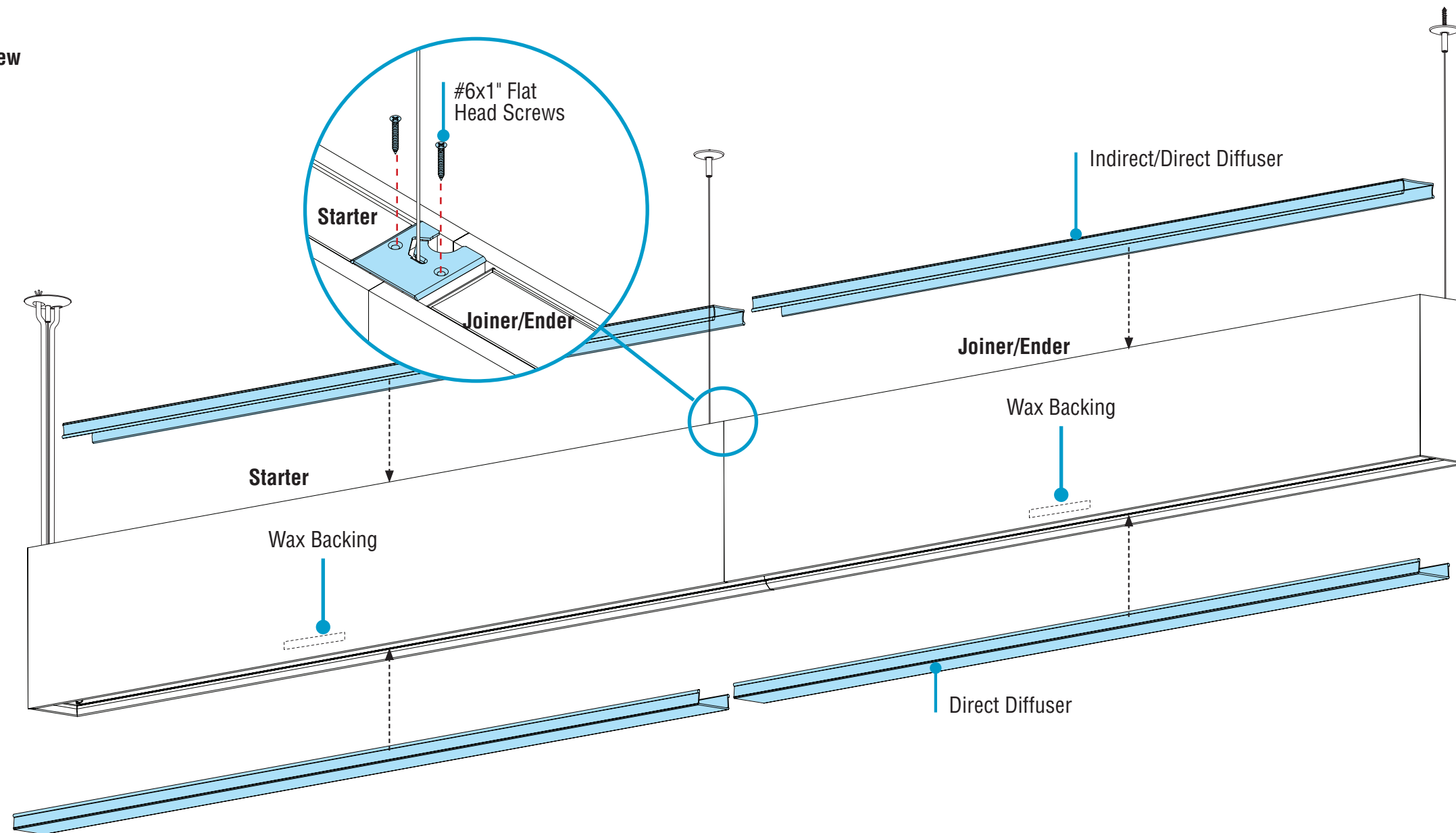
- Connect plug-together wiring.



HP-2 Indirect/Direct Acoustic Baffle Lit Installation Instructions

Step 7 - Final Step

Replace Diffusers Bottom-Up View



- **NOTE:** If your installation includes a battery backup, please see addendum (98333) that should be included with your kitting package.
- **CAITICAL:** Secure Joiner Clamp at all joint(s) with 2 #6x1" Flat Head Screws
- Peel off wax backing from double sided tape, which is located on the internal side of acoustic baffle, and apply pressure firmly onto luminaire. For easier access to tape, lift the acoustic sleeve up above the luminaire.
- Install two #6x1" screws to secure Joiner Clamp

- Remove diffuser from protective plastic bag.
- **CAUTION:** Wear gloves to keep diffuse surface clean.
- **CRITICAL:** Be sure to install correct diffuser to its corresponding luminaire ID.
- Install diffuser into luminaire body, ensuring it snaps into place.
- Turn on power to luminaires.



#6x1" Flat Head Screw
(provided)



Finish
Installation