

HP-4 Circle Indirect/Direct 2', 3', & 4' Installation Instructions Overview

NOTES

- All power connections should be installed according to local/national codes by a Certified Electrician.
- This installation requires **proper support** as each luminaire is being installed.
- **DO NOT attempt to install with single operator.**



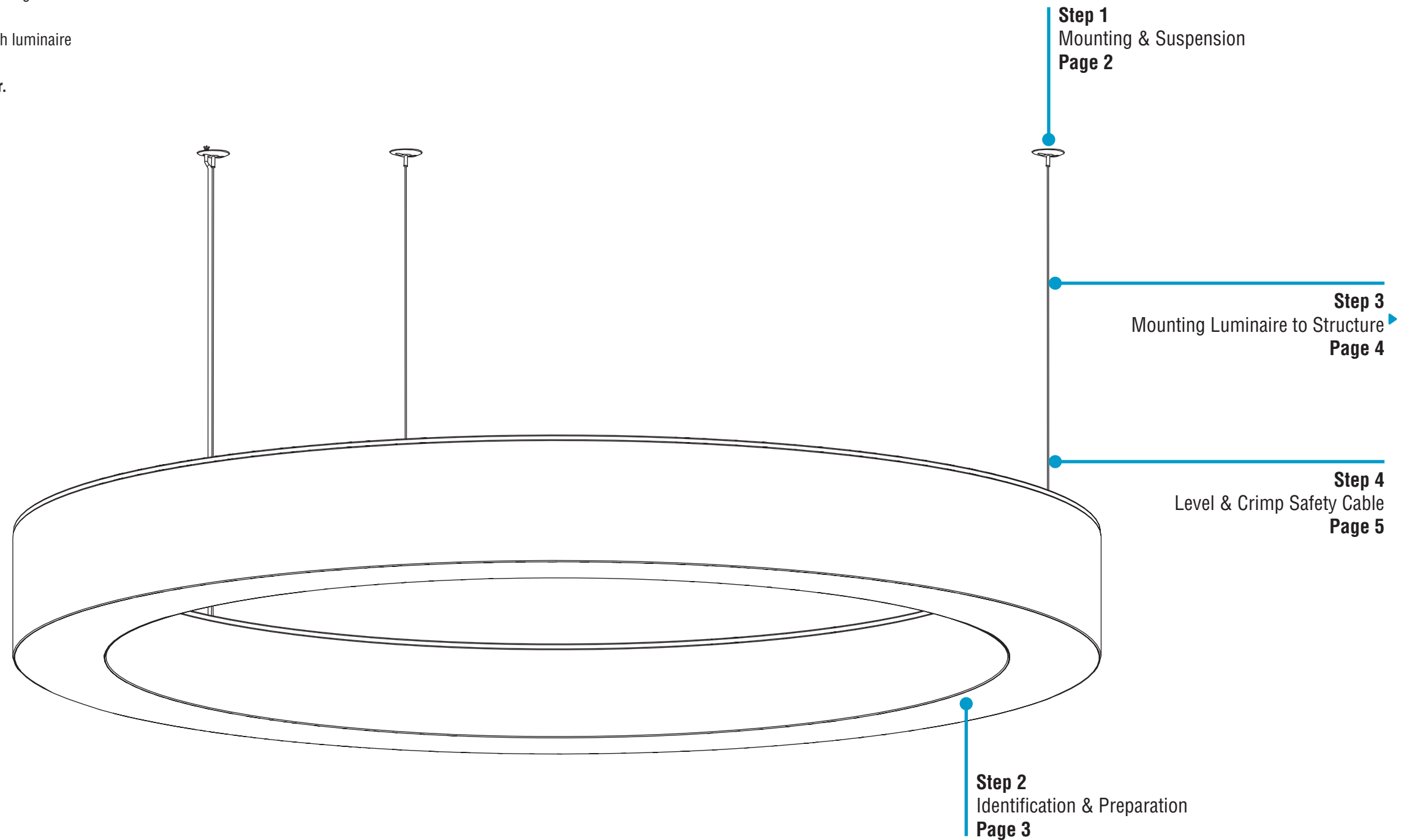
HELPFUL
VIDEO



0-10V
Dimming



v



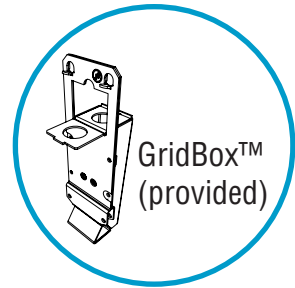
HP-4 Circle Indirect/Direct 2', 3', & 4' Installation Instructions

Step 1 - Mounting & Suspension

Mounting Options Top-Down View

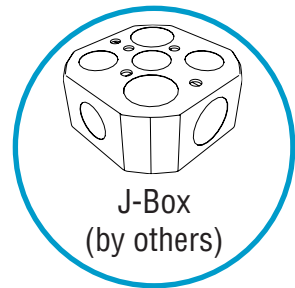
Option 1 T-Bar Mounting GridBox™ and Caddy Clips

- Locate power feed on luminaire.
- Install GridBox™ and electrical conduit at feed location.
- Install caddy clips at mounting point locations.
- All caddy clips are to be secured to structure, per local building codes.



Option 2 Drywall (C4) or other hard surfaces* J-Box and Anchor Bolts

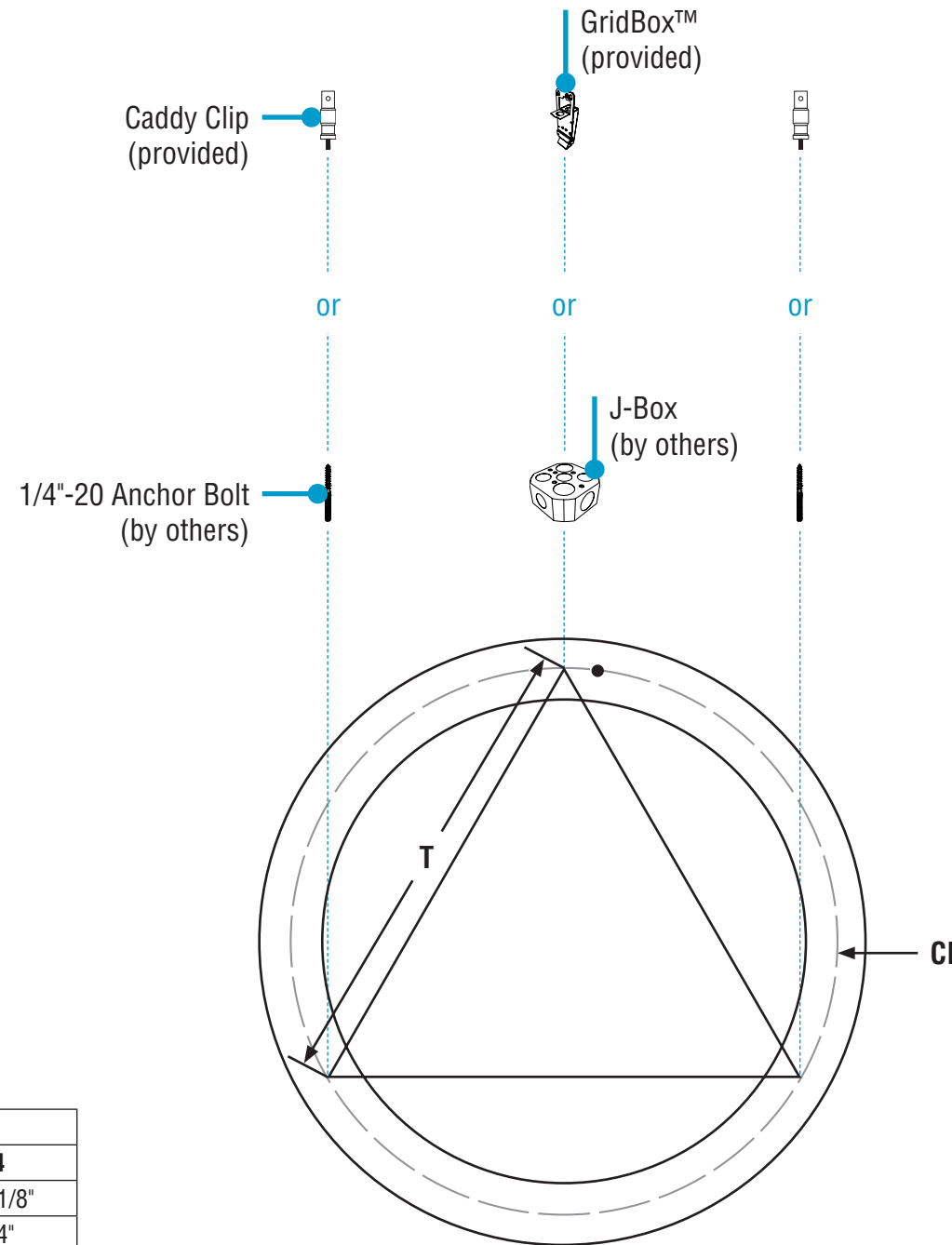
- Locate power feed on luminaire.
- Install J-Box and electrical conduit at feed location.
- Install anchor bolts at mounting point locations.
- All anchor bolts are to be secured to structure, per local building codes.



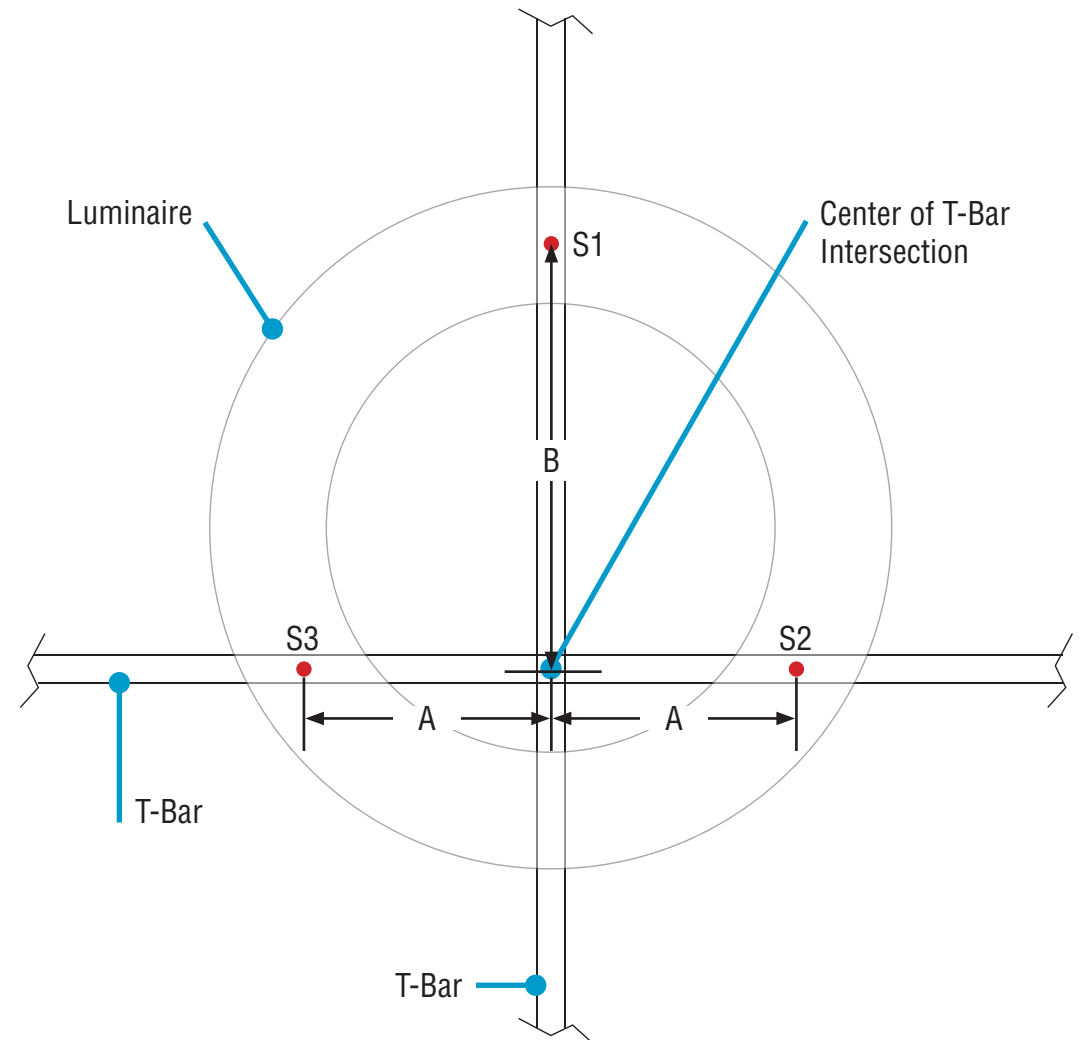
*Other hard surfaces include: wood, sheet metal panels, steel beams, concrete or masonry. Use hardware appropriate for each surface material type.

● = Feed Location

Mounting Location	Label	Nominal Circle Diameter (ft)		
		2	3	4
Equal Triangle Location	T	17-5/16"	27-11/16"	38-1/8"
Reference Center Diameter	CD	20"	32"	44"



On-Grid Suspension Points Bottom-Up View

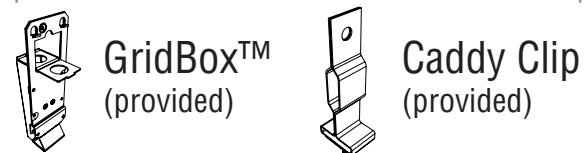


● = Suspension Point

On-Grid Suspension Location	Label	Nominal Circle Diameter (ft)		
		2	3	4
Suspension Point 1 (S1) Distance	B	15"	24"	33"
Suspension Point 2 & 3 (S2, S3) Distance	A	8-11/16"	13-7/8"	19-1/16"

Measure from Center of T-Bar Intersection to Suspension Points

Mounting Option 1



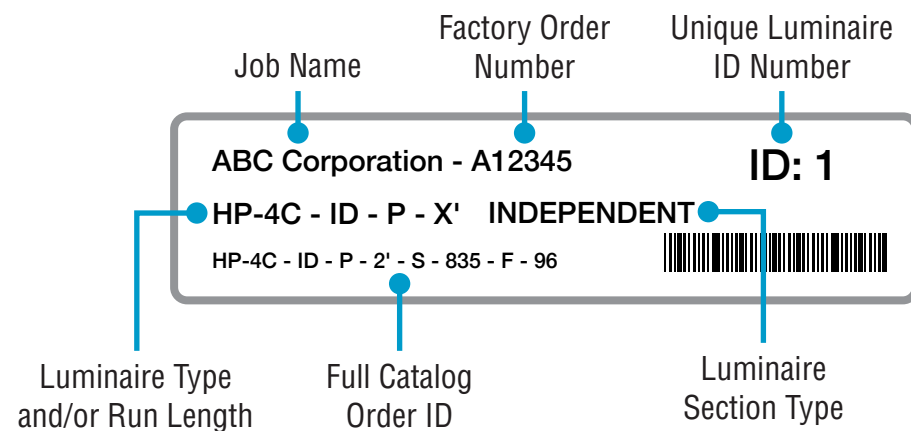
Mounting Option 2



HP-4 Circle Indirect/Direct 2', 3', & 4' Installation Instructions

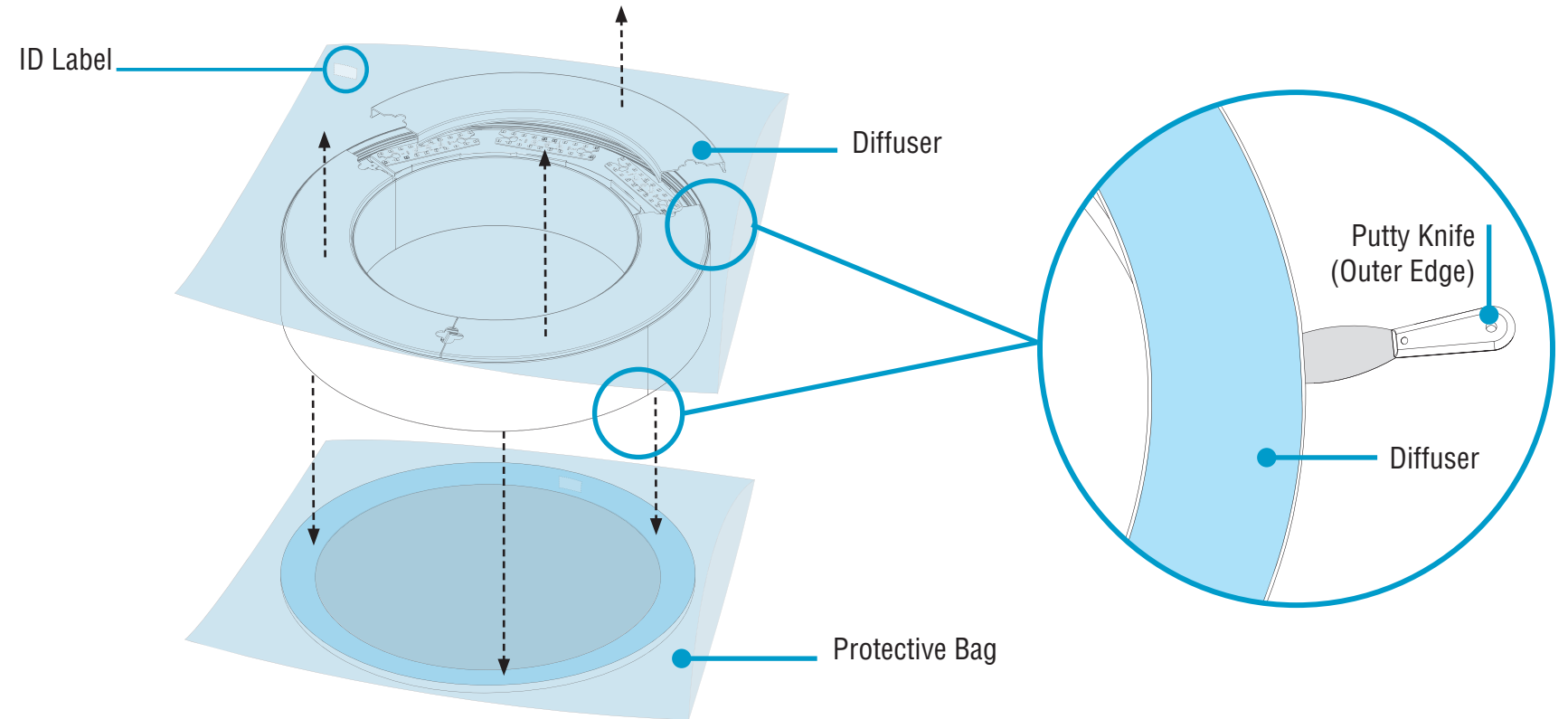
Step 2 - Identification & Preparation

A. Identify Luminaires



- Identify all luminaires by their ID label that can be found on the box and inside the luminaire.
- NOTE:** Exact location of labels in these areas may vary.
- Remove all luminaires from their box.
- Refer to Record Drawings that can be found in the hardware kit.

B. Remove Diffusers Top-Down View



- NOTE:** Maximum width of putty knife is 2 inches.
- 1. To release diffuser, carefully slide putty knife between outer edge of diffuser and luminaire.
- 2. Then, directly across from you carefully slide putty knife between inner edge of diffuser and luminaire.
- 3. Work your way around outer edge of diffuser to fully release it from luminaire.
- Keep diffuser inside protective bag.**
- Set aside diffuser to prevent it from getting dirty or damaged.
- Ensure diffuser can be clearly identified back to corresponding luminaire.

Kitted Hardware

- Finelite has provided items listed here, with their Finelite part numbers. These items can be found in separate boxes shipped with the luminaire.
- Account for all parts and set aside until they are needed.
- All other hardware needed for this installation will be by others.

Mounting Option 1		Mounting Option 2		Cable Bushing Part# 94014	Slip Ring w/ Set Screw Part# 94015 Mounting Luminaire to Structure p. 4, Step 3	Safety Crimp Part# 94514 Level & Crimp Safety Cable p. 5, Step 4
 GridBox™ Part# 89159	 3-1/2" Canopy Part# 89191	 5" Canopy Part# 94085	 Aircraft Cable 50" - Part# 94515-12 (Std.) 100" - Part# 94515-14 150" - Part# 94515-18 Mounting Luminaire to Structure p. 4, Step 3 Level & Crimp Safety Cable p. 5, Step 4			
 Dual GridBox™ Part# 89199 Mounting & Suspension p. 2, Step 1	 3-1/2" Dual Feed Canopy Part# 89192 Mounting Luminaire to Structure p. 4, Step 3	 5" Dual Feed Canopy Part# 94145 Mounting Luminaire to Structure p. 4, Step 3				
 Caddy Clip C1 Ceiling - Part# 94001 C2 Ceiling - Part# 94020 C3 Ceiling - Part# 94029 Mounting & Suspension p. 2, Step 1	 2" T-Bar Support Canopy Part# 89193 Mounting Luminaire to Structure p. 4, Step 3	 2" Drywall Support Canopy Part# 94017 Mounting Luminaire to Structure p. 4, Step 3				

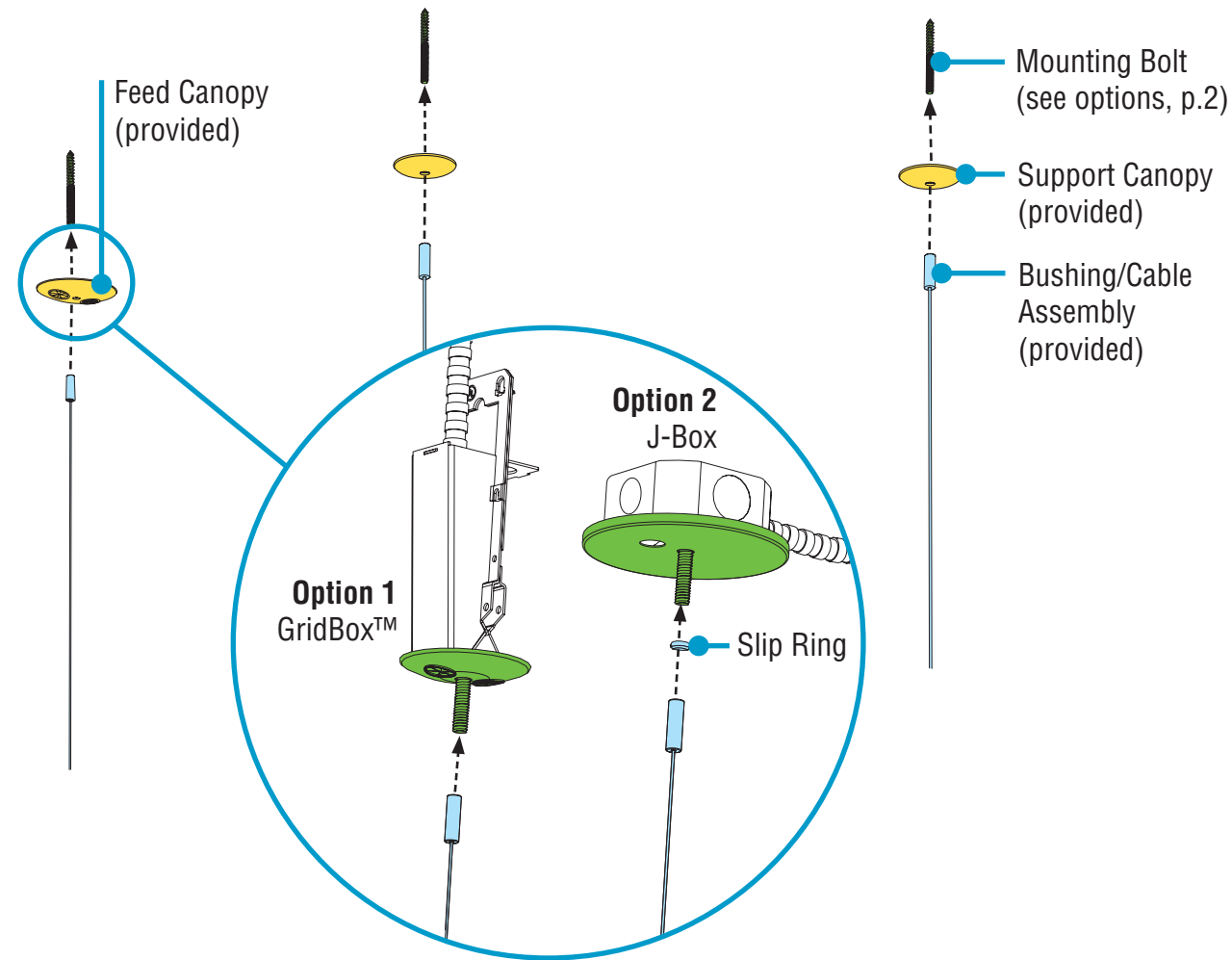


Circle Diffuser Installation

HP-4 Circle Indirect/Direct 2', 3', & 4' Installation Instructions

Step 3 - Mounting Luminaire to Structure

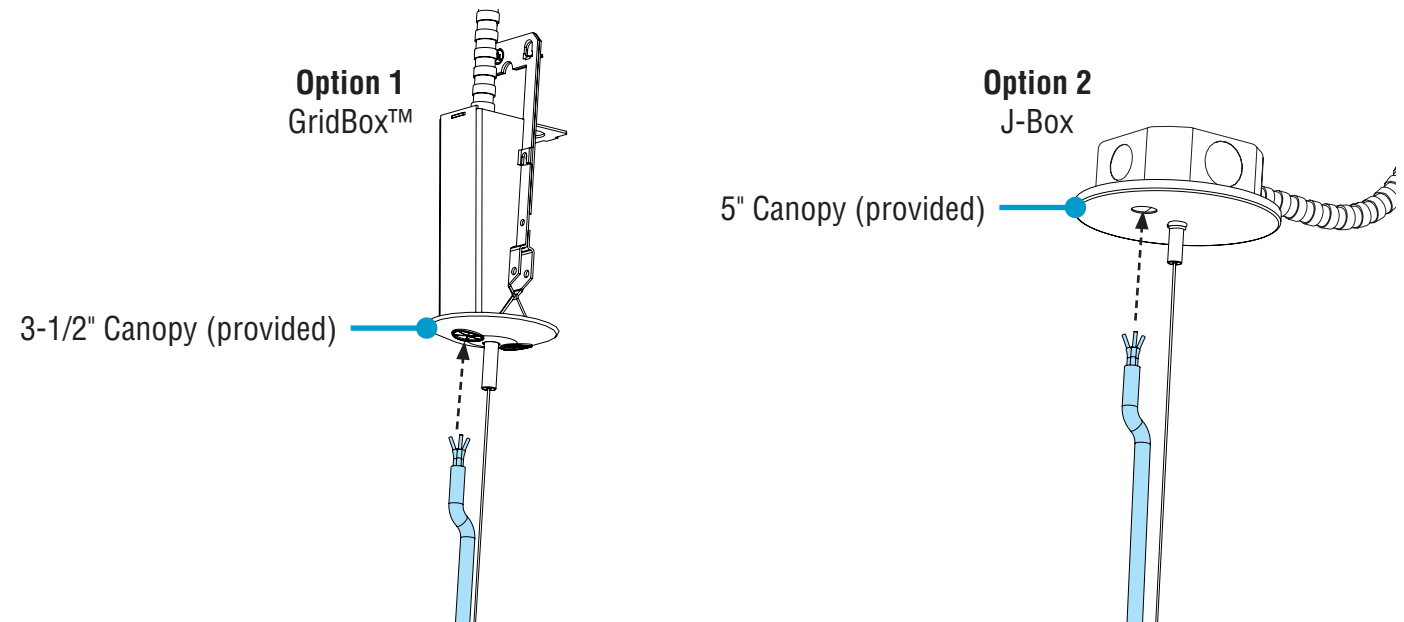
A. Mount Luminaire to Structure



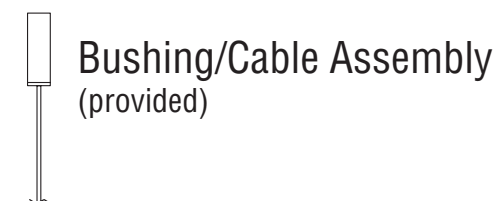
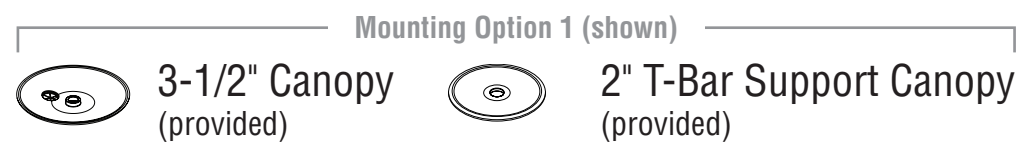
- **(Option 2)** Place the slip ring on to threaded bushing and secure with set screw at both mounting locations.
- Properly supporting luminaire, maneuver luminaire to ceiling.
- Slide canopy appropriate for electrical type onto mounting bolt (anchor bolt or caddy clip bolt).
- Thread the bushing/cable assembly onto mounting bolts.
- **NOTE:** Adjust canopy and slip ring snug to ceiling.
- Level luminaire to desired height by depressing top of gripper to adjust cable length.
- Feed the aircraft cable through and lead into the feed hole.

B. Make Electrical Connections

WIRING LEGEND		
Black	Hot	Line Voltage
White	Neutral	Line Voltage
Green	Ground	
Pink	Dimming	0-10V DC
Purple	Dimming	0-10V DC



- **(Option 1)** Feed power cord through the 3-1/2" canopy and connect wires inside the GridBox™.
- **(Option 2)** Feed power cord through the 5" canopy and connect wires inside the J-Box.

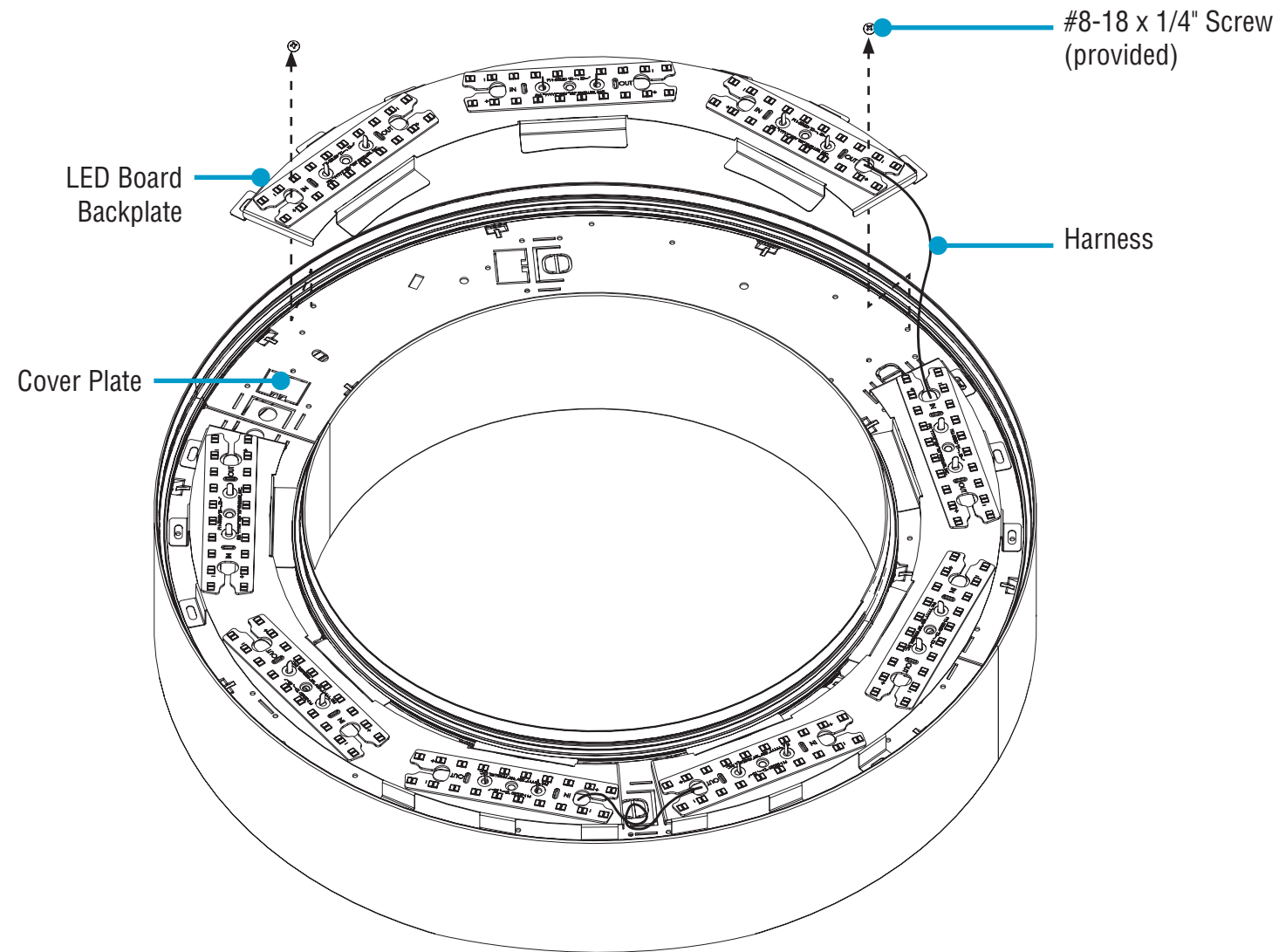


0-10V Dimming

HP-4 Circle Indirect/Direct 2', 3', & 4' Installation Instructions

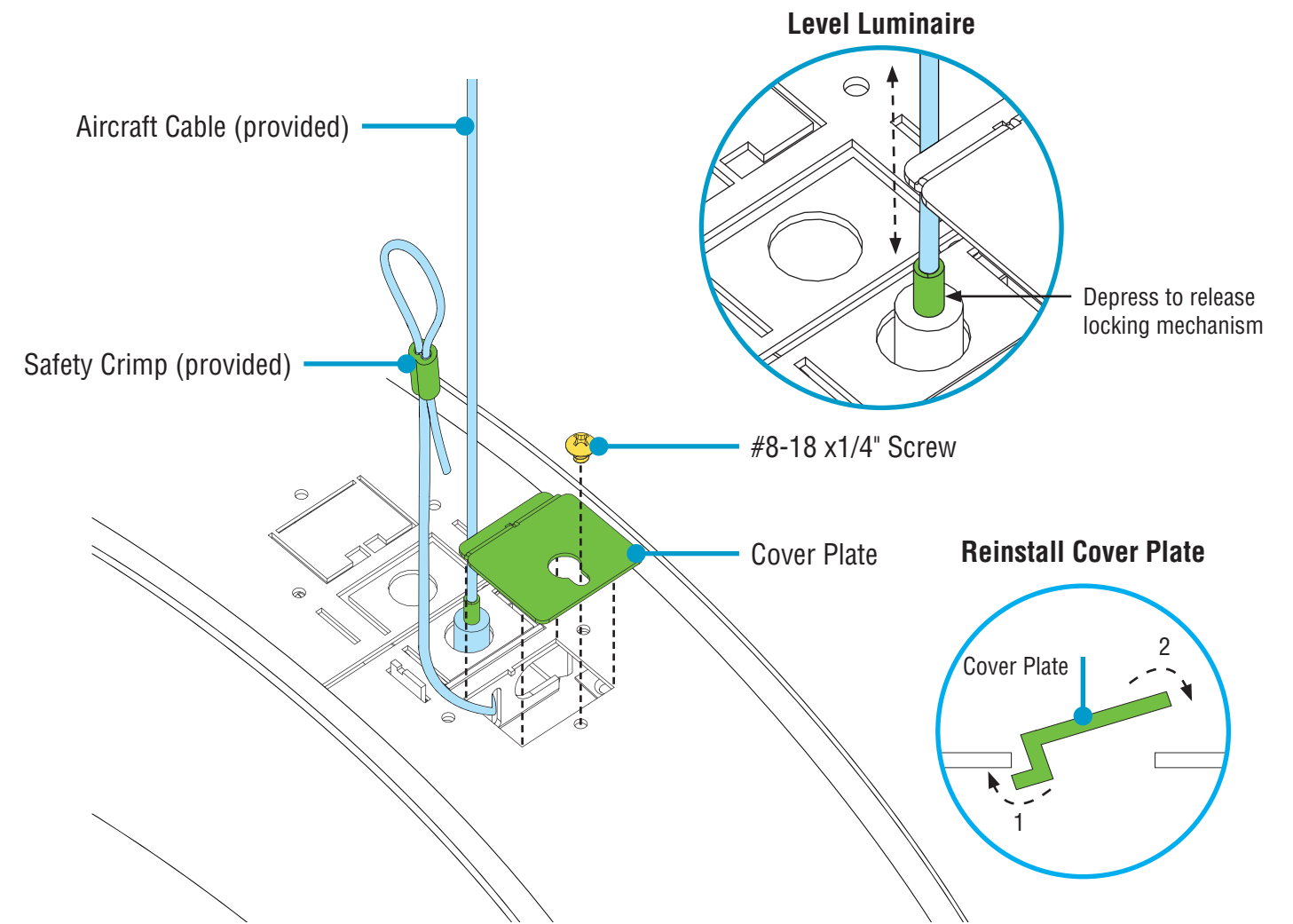
Step 4 - Level & Crimp Safety Cable

A. Remove Indirect Backplate Top-Down View

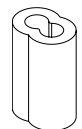


- Remove #8 screw to remove LED Board Backplates and gain access to cover plate

B. Level & Crimp Safety Cable Side View



- Remove #8 screw and cover plate to gain access to safety cable.
- Ensure all leveling has been performed by depressing top of grippers to adjust cable lengths prior to applying safety crimp.
- Loop aircraft cable through safety crimp.
- Crimp, cut excess cable, and tuck back into luminaire body.
- Reinstall cover plate and #8 screw. Typical for each aircraft cable.



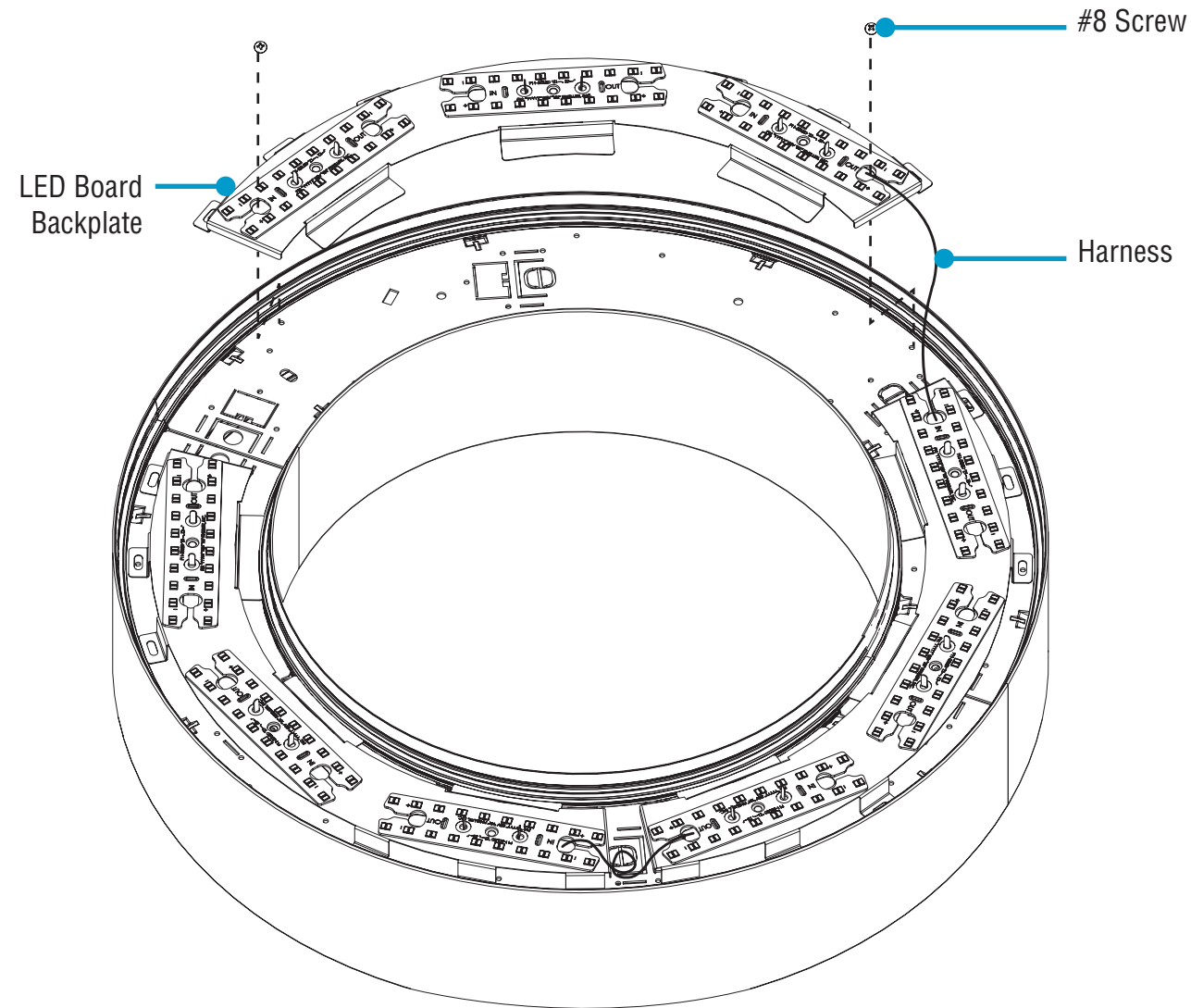
Safety Crimp
(provided)




#8-18 x 1/4" Screws
(provided)

HP-4 Circle Indirect/Direct 2', 3', & 4' Installation Instructions

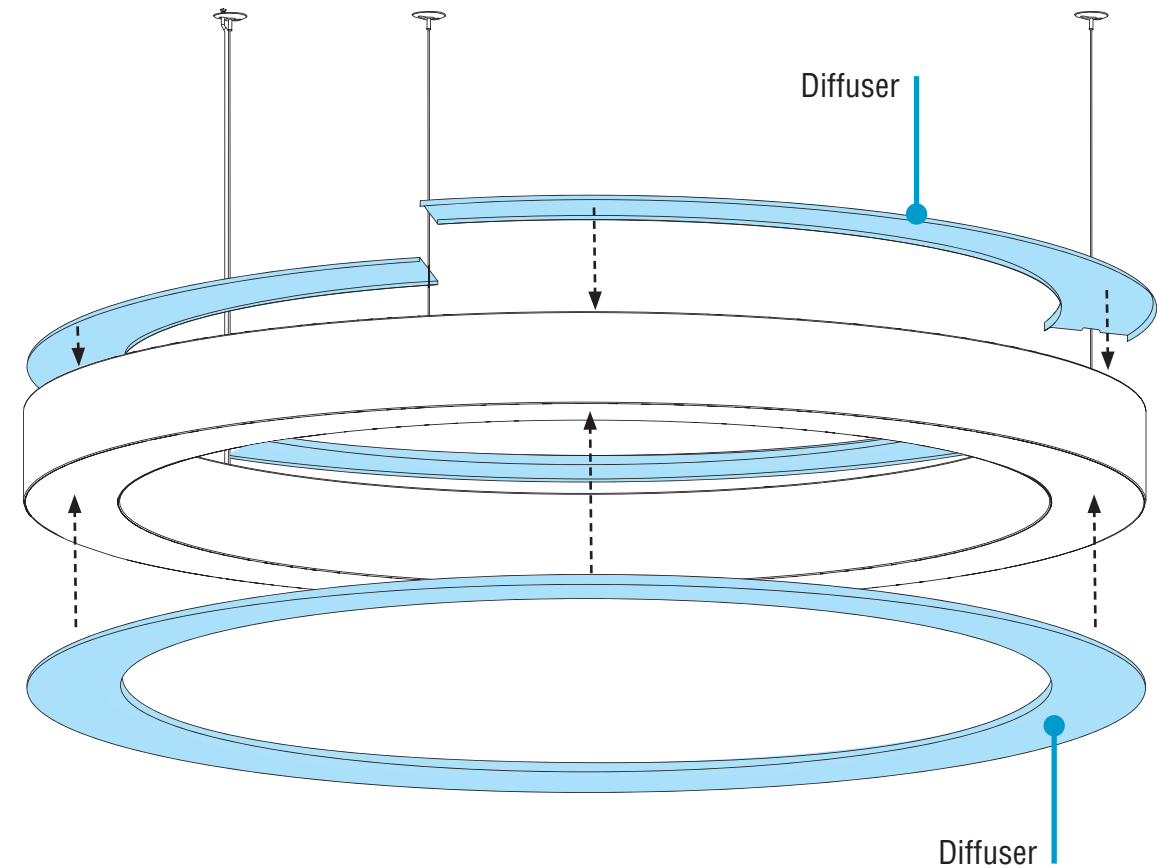
A. Replace LED Board Backplates Top-Down View



- Replace #8 screw to secure LED Board Backplates

 #8-18 x 1/4" Screws
(provided)

B. Final Step - Replace Diffusers Side View



- Carefully remove diffuser from protective bag.
- **CAUTION:** Wear gloves to keep diffuser surface clean.
- **CAUTION:** Be sure to install correct diffuser to its corresponding luminaire ID.
- Install diffuser by snapping into place.
- **NOTE:** Push area of diffuser closest to you first until it snaps in place. Then work your way around the luminaire.
- Turn power on to luminaire.



Circle
Diffuser
Installation