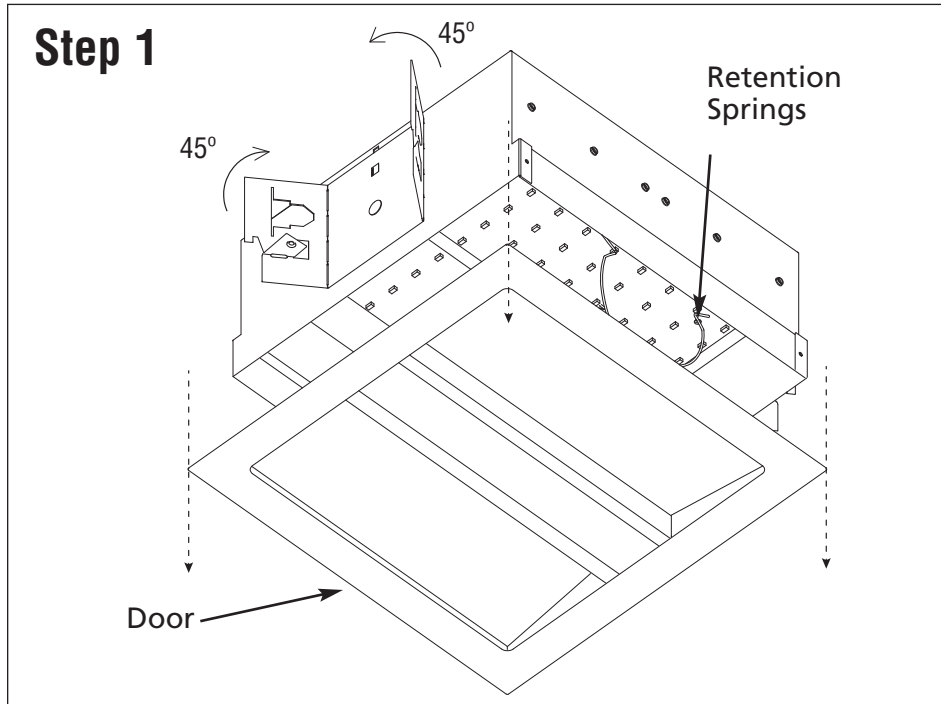
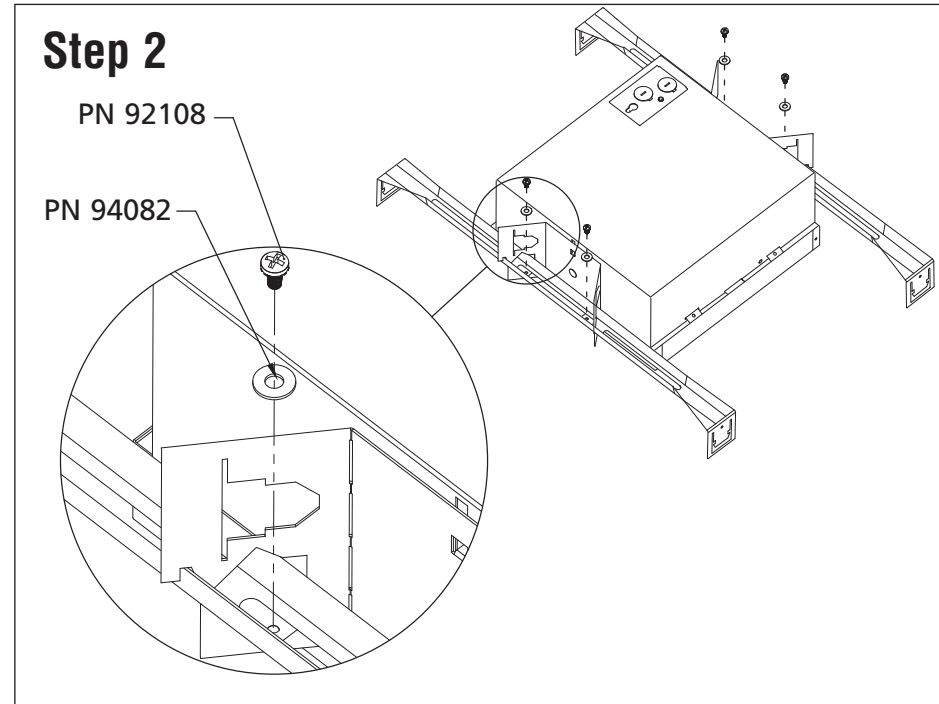


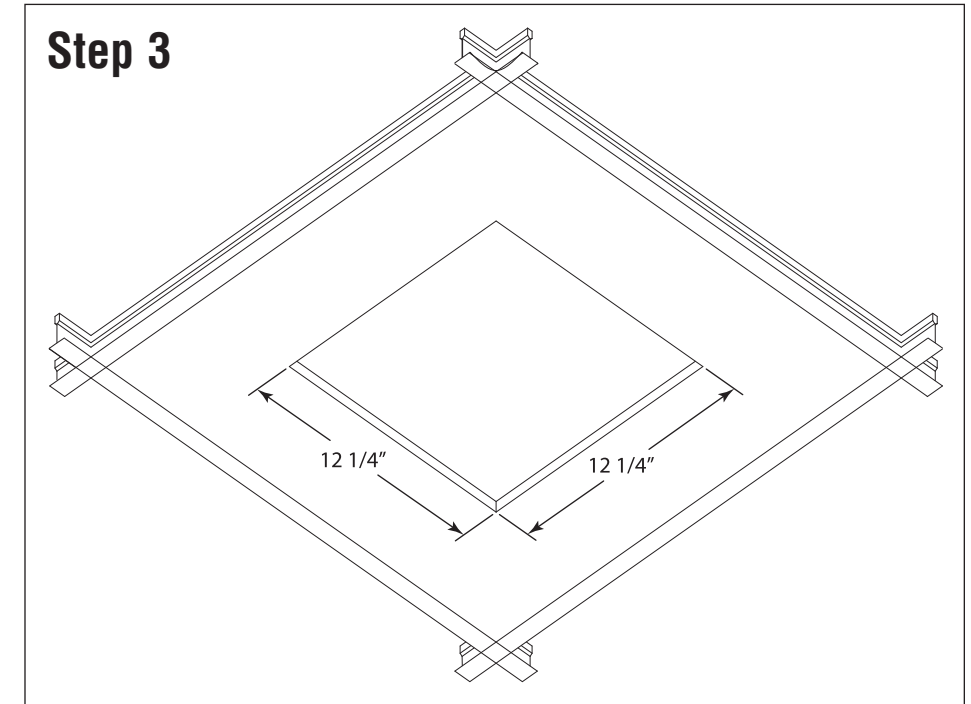
High Performance Recessed (HPR-LED) 1x1 T-Bar Installation



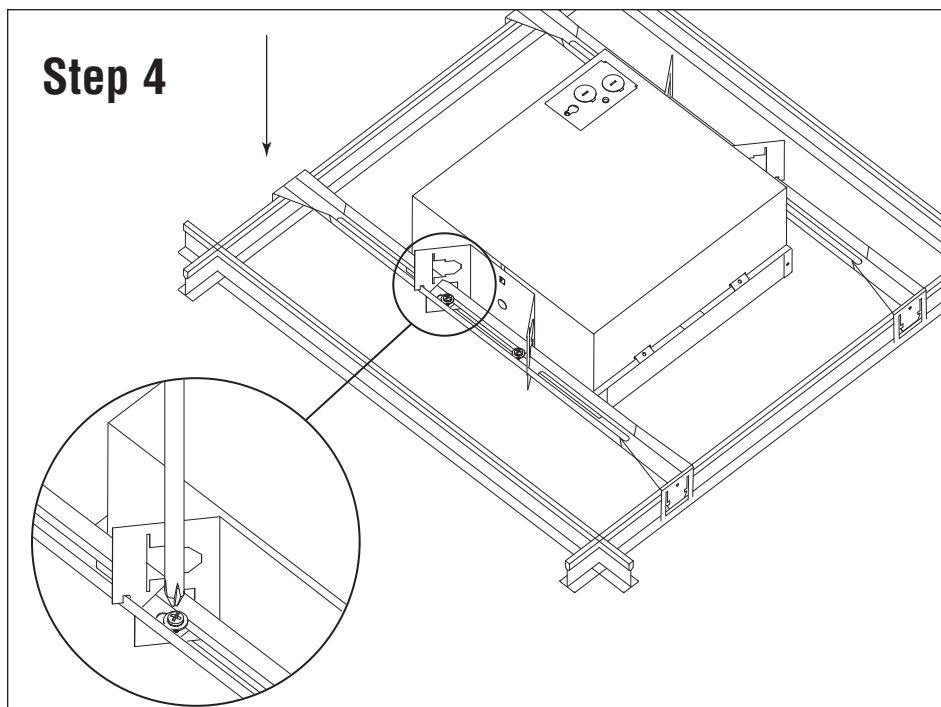
Remove the door by pulling straight down and then squeeze the retention springs until the door is released. Then bend the butterfly brackets about 45° on both sides.



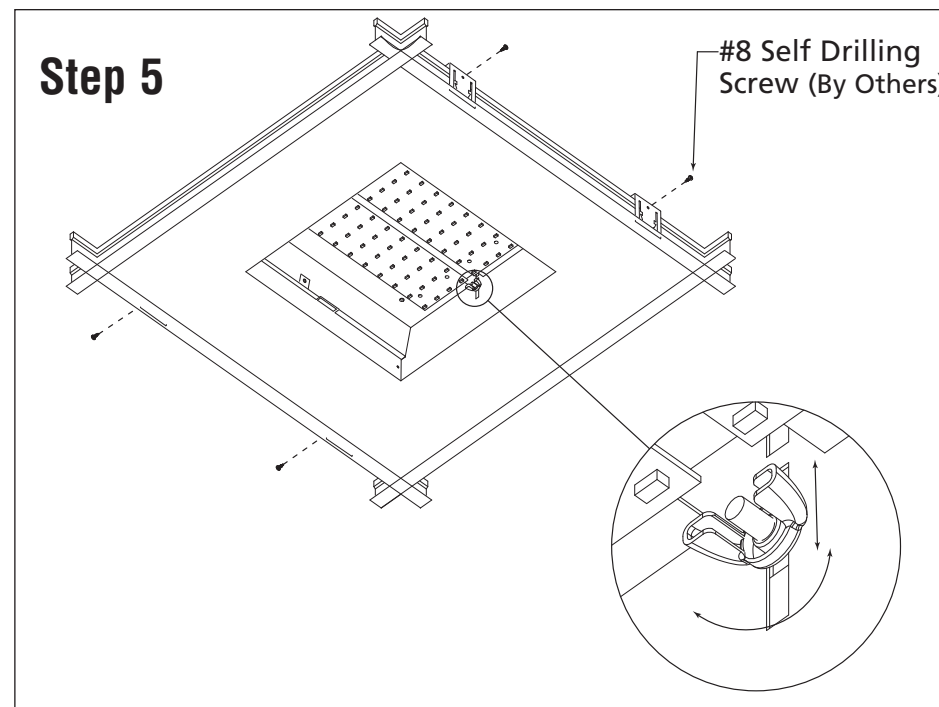
Attach the T-Bar brackets Erico™ Caddy 512 (supplied by others) to the butterfly brackets as shown. Use screw PN92108 and washer PN94082 (By Finelite). DO NOT TIGHTEN YET.



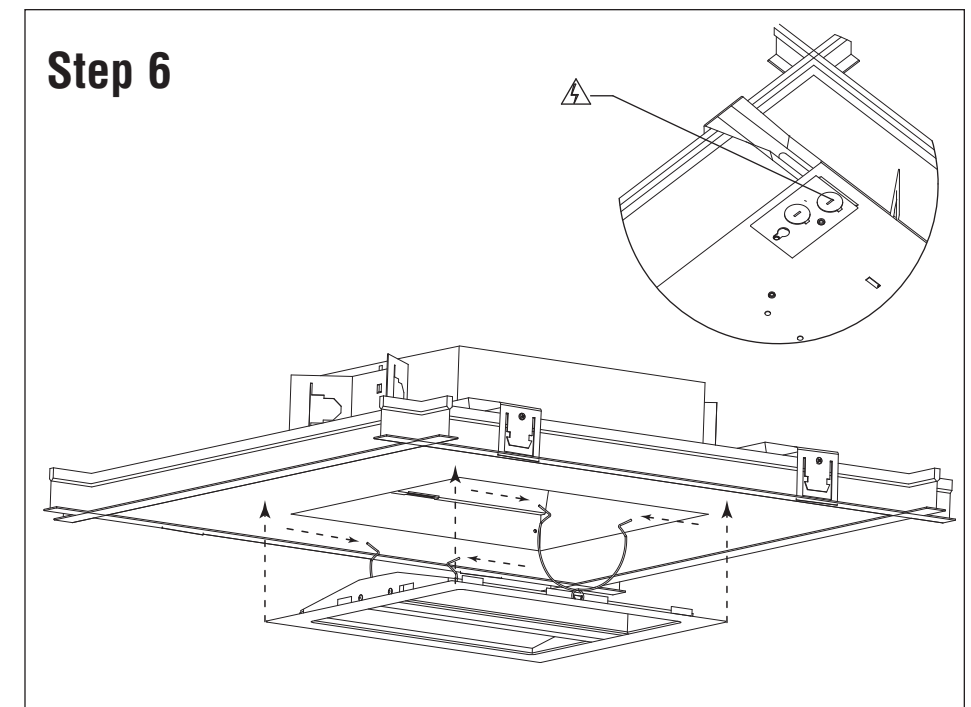
Cut a 12-1/4" x 12-1/4" hole in center of the tile



Align the fixture with the cutout on the tile and snap the T-Bar brackets on to the T-Bar grid. Tighten the (4) butterfly bracket screws to the bar hanger.



Make sure bottom of the fixture is flush with ceiling. Adjust by using the wing nuts if necessary. Secure the T-Bar brackets to the T-Bar grid by using self drilling screws (by others).



Connect to power according to NEC and other local codes. Install the door by pressing retention springs to align with the cutout on the body. Then press the door into place. If there are light leaks or gaps, please go back to **Step 5** to adjust the housing.