

# HPR 1'x1' Drywall Installation Instructions

## Overview

### NOTES

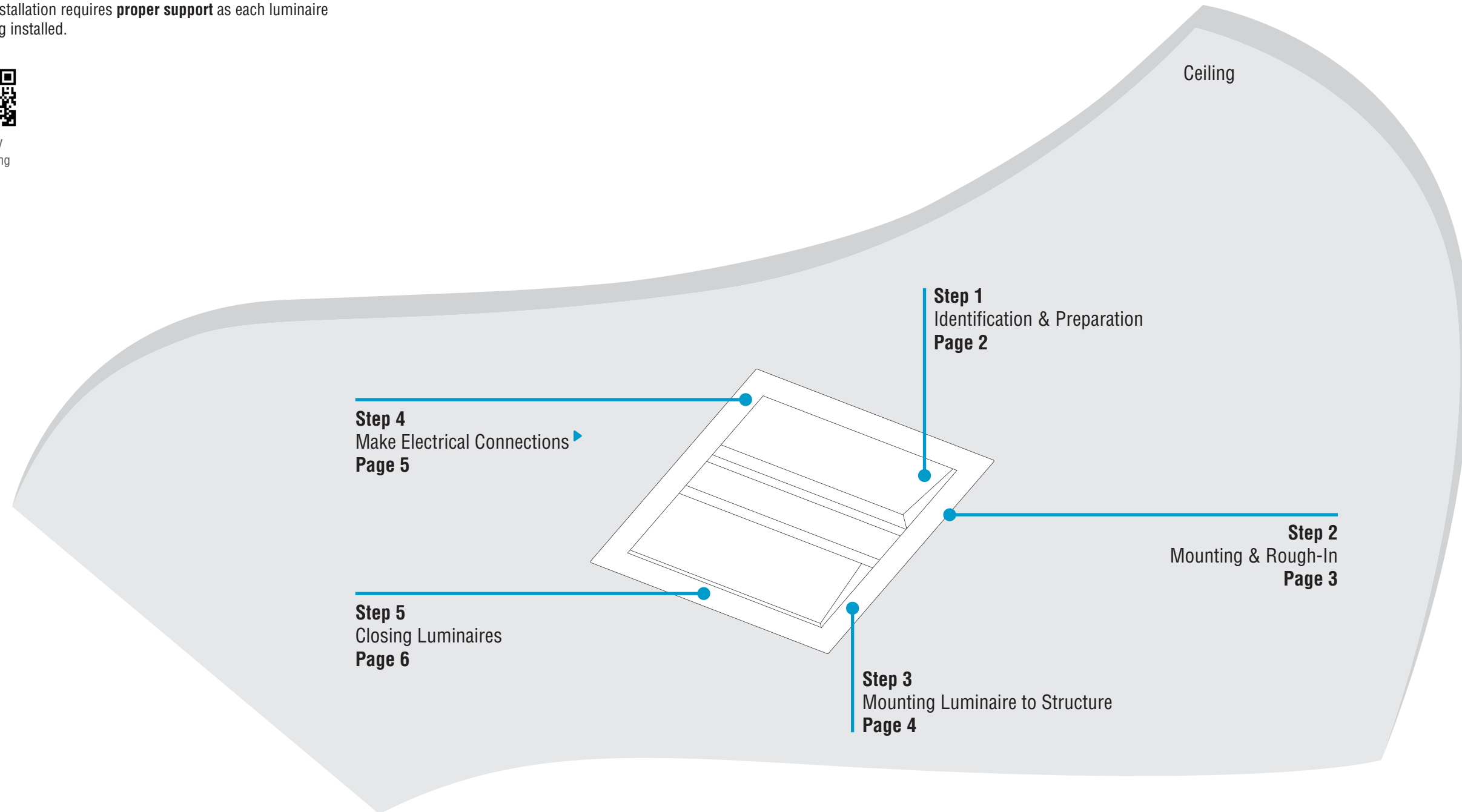
- All power connections should be installed according to local/national codes by a Certified Electrician.
- This installation requires **proper support** as each luminaire is being installed.



HELPFUL  
VIDEO



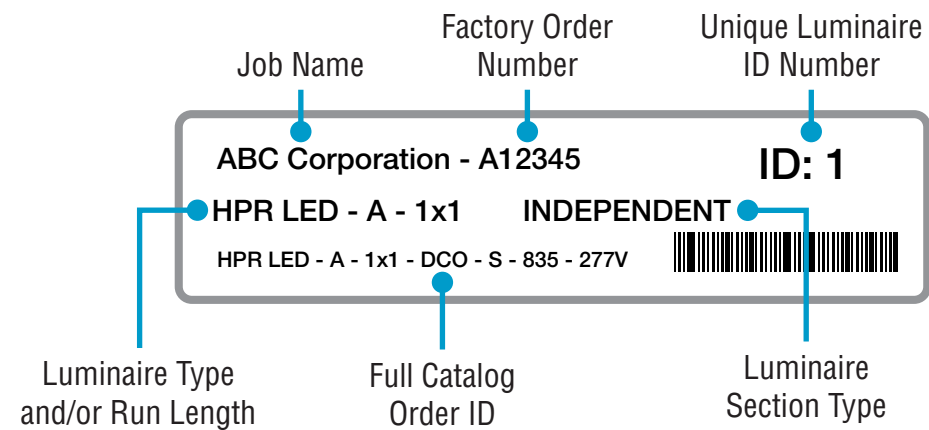
0-10V  
Dimming



# HPR 1'x1' Drywall Installation Instructions

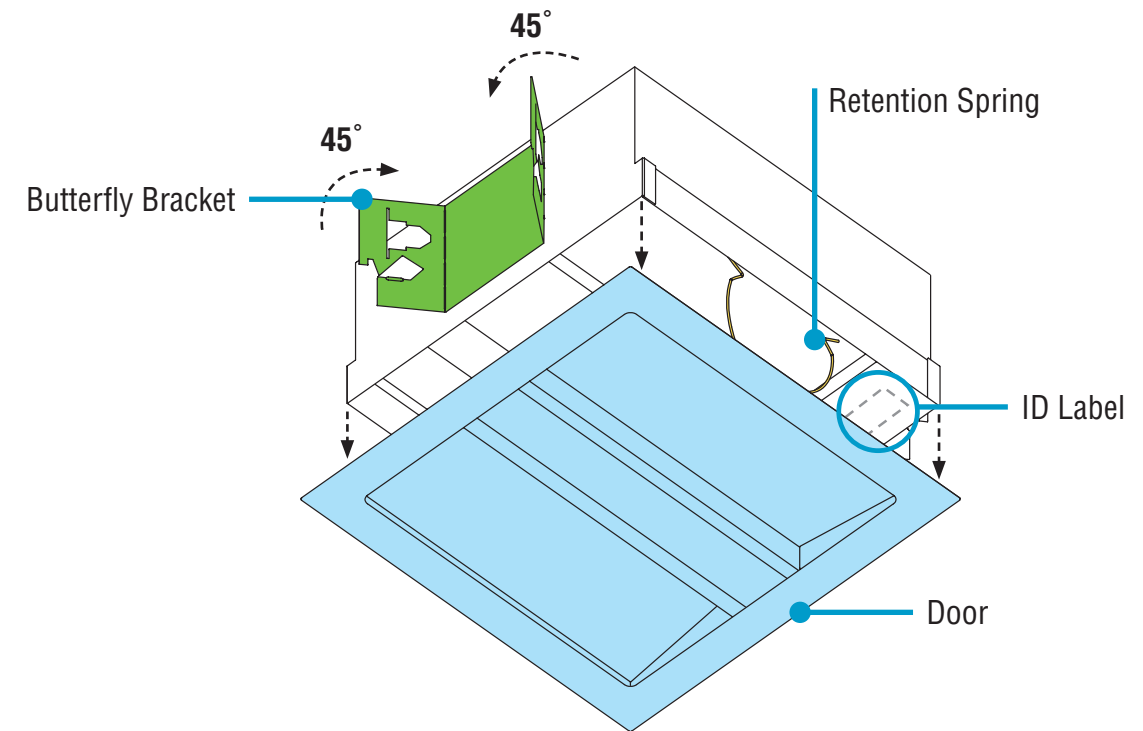
## Step 1 - Identification & Preparation

### A. Identify Luminaire



- Identify all luminaires by their ID label that can be found on box and inside luminaire.
- **NOTE:** Exact location of labels in these areas may vary.
- Remove luminaire from box.
- Refer to Record Drawings that can be found in hardware kit.

### B. Locate ID Label Bottom-Up View



- Remove door by pulling straight down and squeezing the retention springs.
- Locate ID label inside luminaire.
- Bend butterfly brackets about 45 degrees on both sides.

### Kitted Hardware

- Finelite has provided items listed here, with their Finelite part numbers. These items can be found in separate boxes shipped with the luminaire.
- Account for all parts and set aside until they are needed.
- All other hardware needed for this installation will be by others.

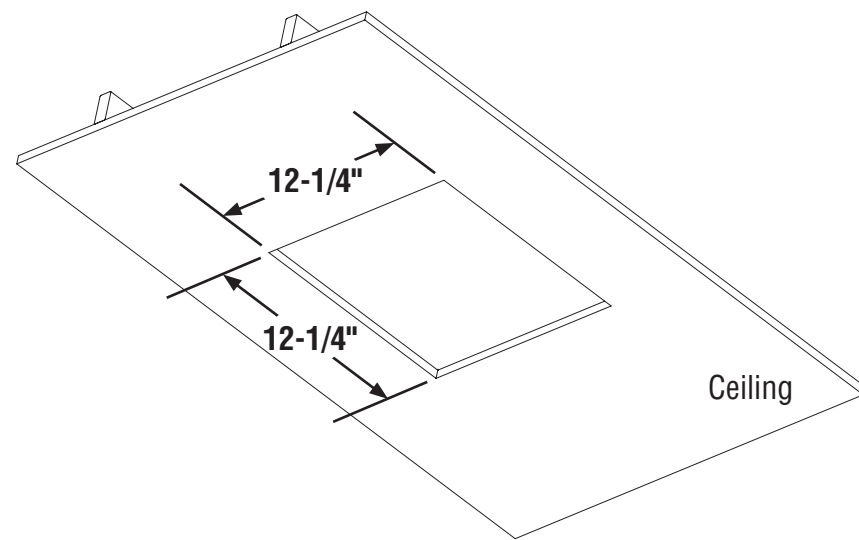


**#10-32 x 3/8" Pan Phillips Type F**  
Part# 92108  
Make Electrical Connections  
p. 5, Step 4

# HPR 1'x1' Drywall Installation Instructions

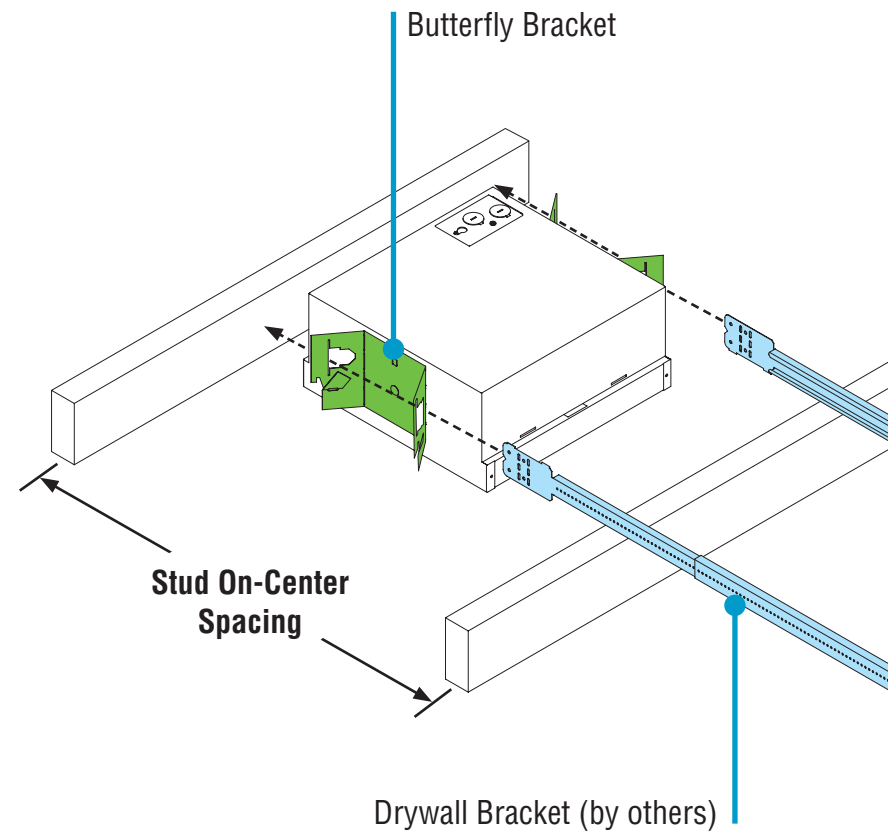
## Step 2 - Mounting & Rough-In

### A. Mounting Measurements Bottom-Up View



- Refer to Record Drawings and building plans to determine exact mounting and power feed locations.
- Use proper backing. Drywall or weak paneling must be secured to support blocking (studs) around wall/ceiling.

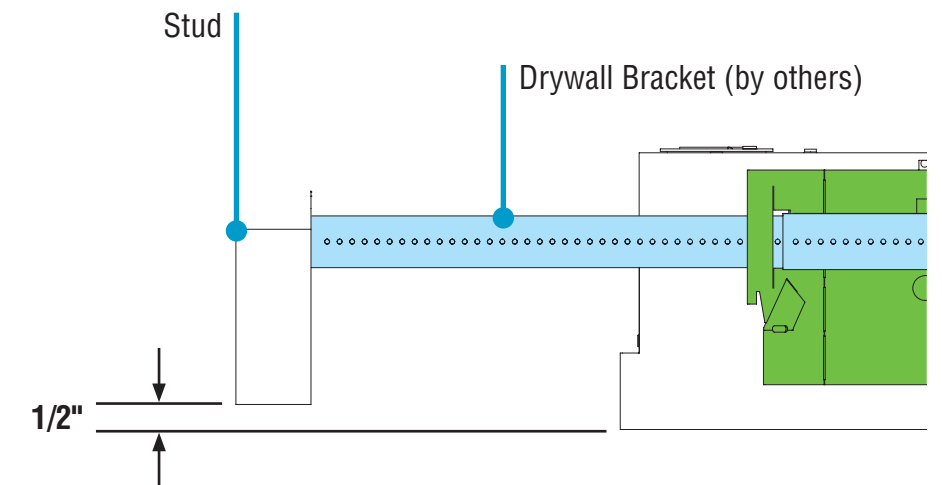
### B. Measure Stud Spacing Top-Down View



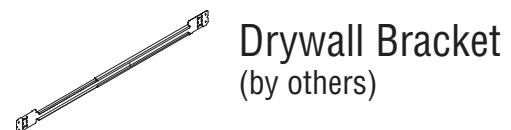
Stud On-Center Spacing	Drywall Bracket
14"-17"	Erico™ Caddy TSGB16
17"-26"	Erico™ Caddy TSGB24

- Measure stud on-center spacing and choose appropriate drywall brackets or equivalent.
- Insert drywall brackets through butterfly brackets.

### C. Stud Clearance Side View



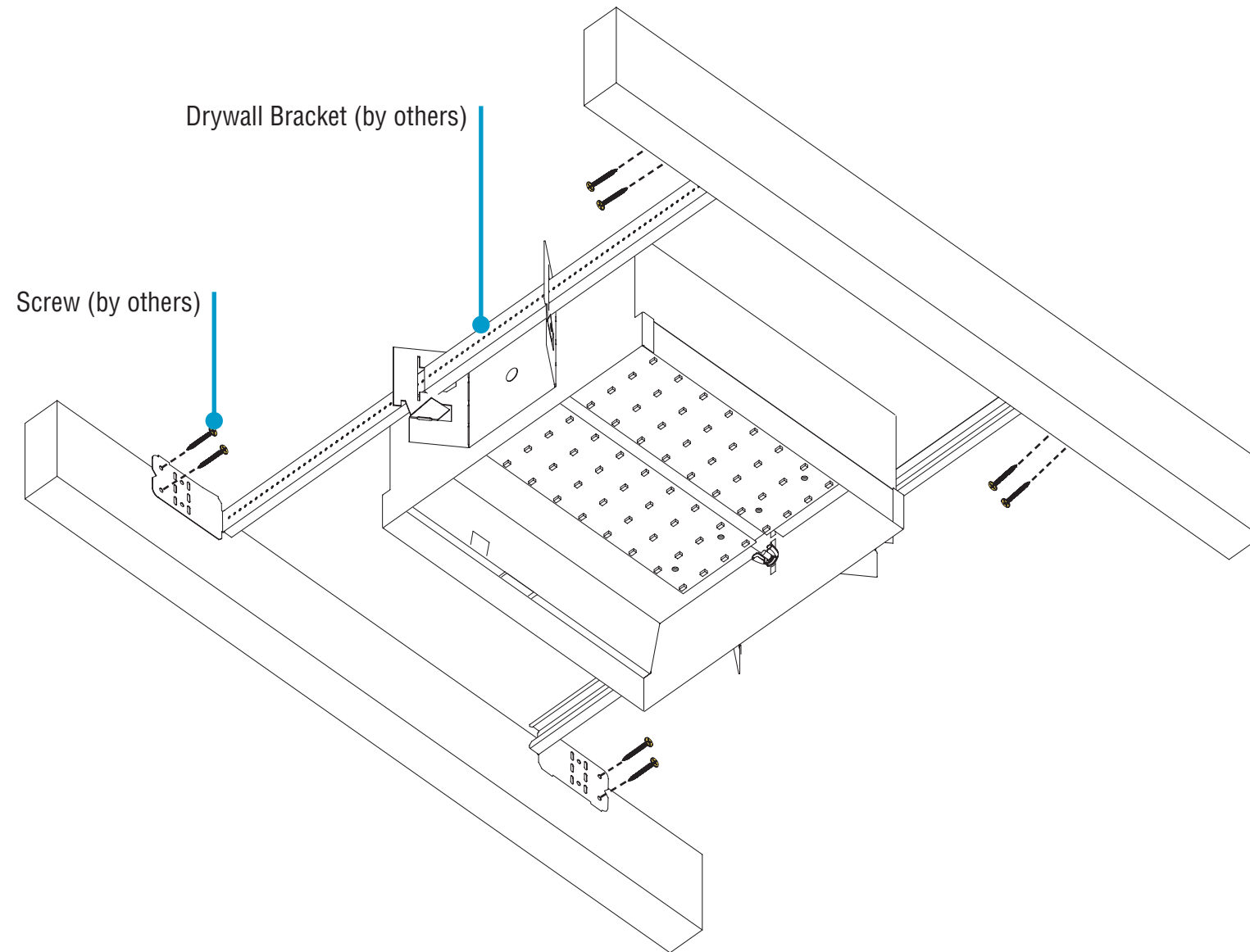
- Bend drywall brackets on both ends and align luminaire so that it's 1/2" below the studs.



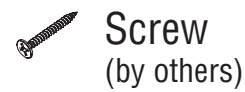
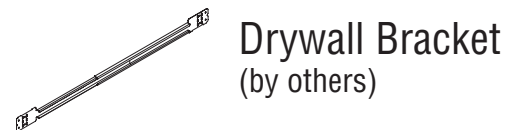
# HPR 1'x1' Drywall Installation Instructions

## Step 3 - Mounting Luminaire to Structure

**Mount Luminaire to Structure** Bottom-Up View



- Use appropriate fasteners to mount luminaire to structure.
- **NOTE:** 1-1/2" wood screws are recommended for wood joists.
- Use four screws per drywall bracket.

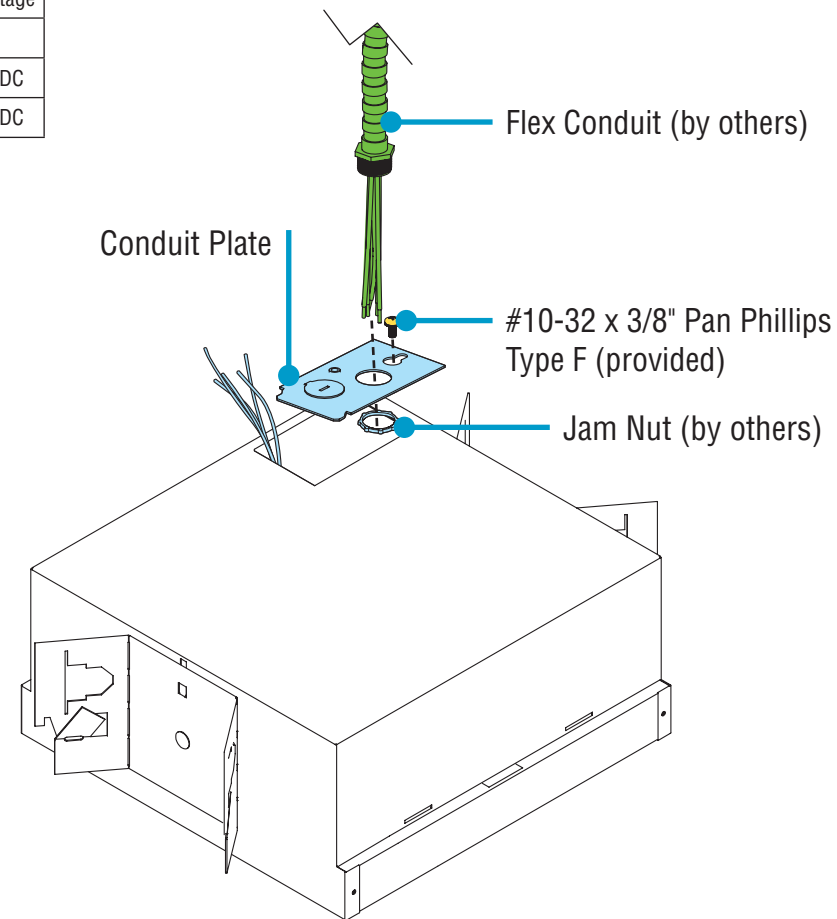


# HPR 1'x1' Drywall Installation Instructions

## Step 4 - Make Electrical Connections

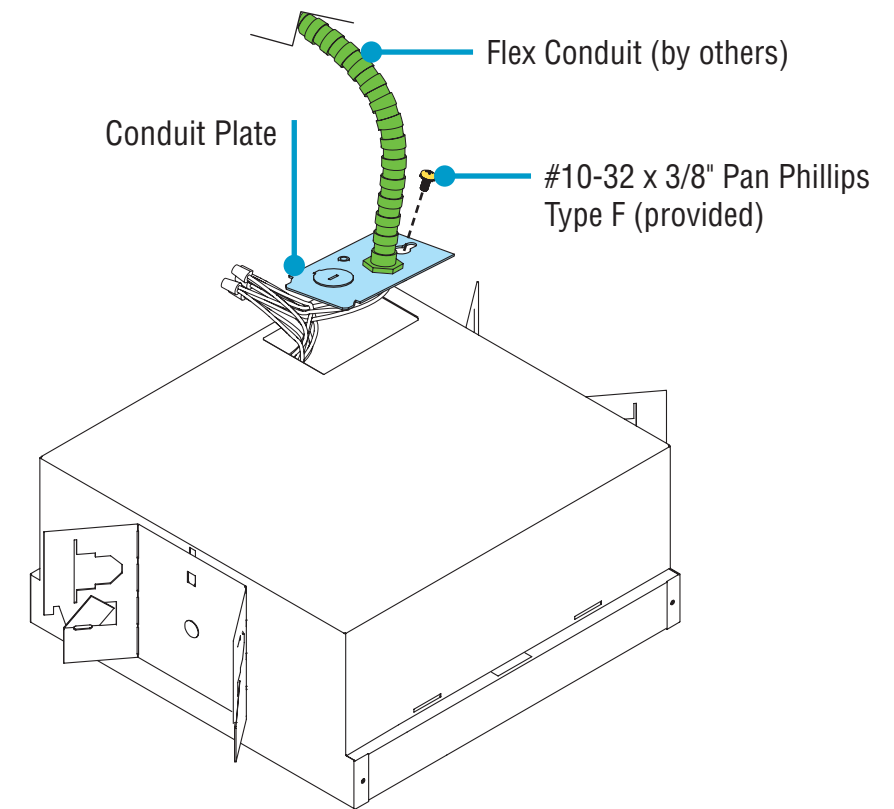
### A. Install Power Feed Top-Down View

WIRING LEGEND		
Black	Hot	Line Voltage
White	Neutral	Line Voltage
Green	Ground	
Grey	Dimming	0-10V DC
Purple	Dimming	0-10V DC



- Remove conduit plate from top of luminaire.
- Connect all necessary wiring.
- Secure flex conduit to conduit plate.

### B. Reinstall Conduit Plate Top-Down View



- Reinstall conduit plate by tucking wires back into luminaire and fasten conduit plate back into place.

 #10-32 x 3/8" Pan Phillips Type F (provided)

 Jam Nut (by others)

 Flex Conduit (by others)

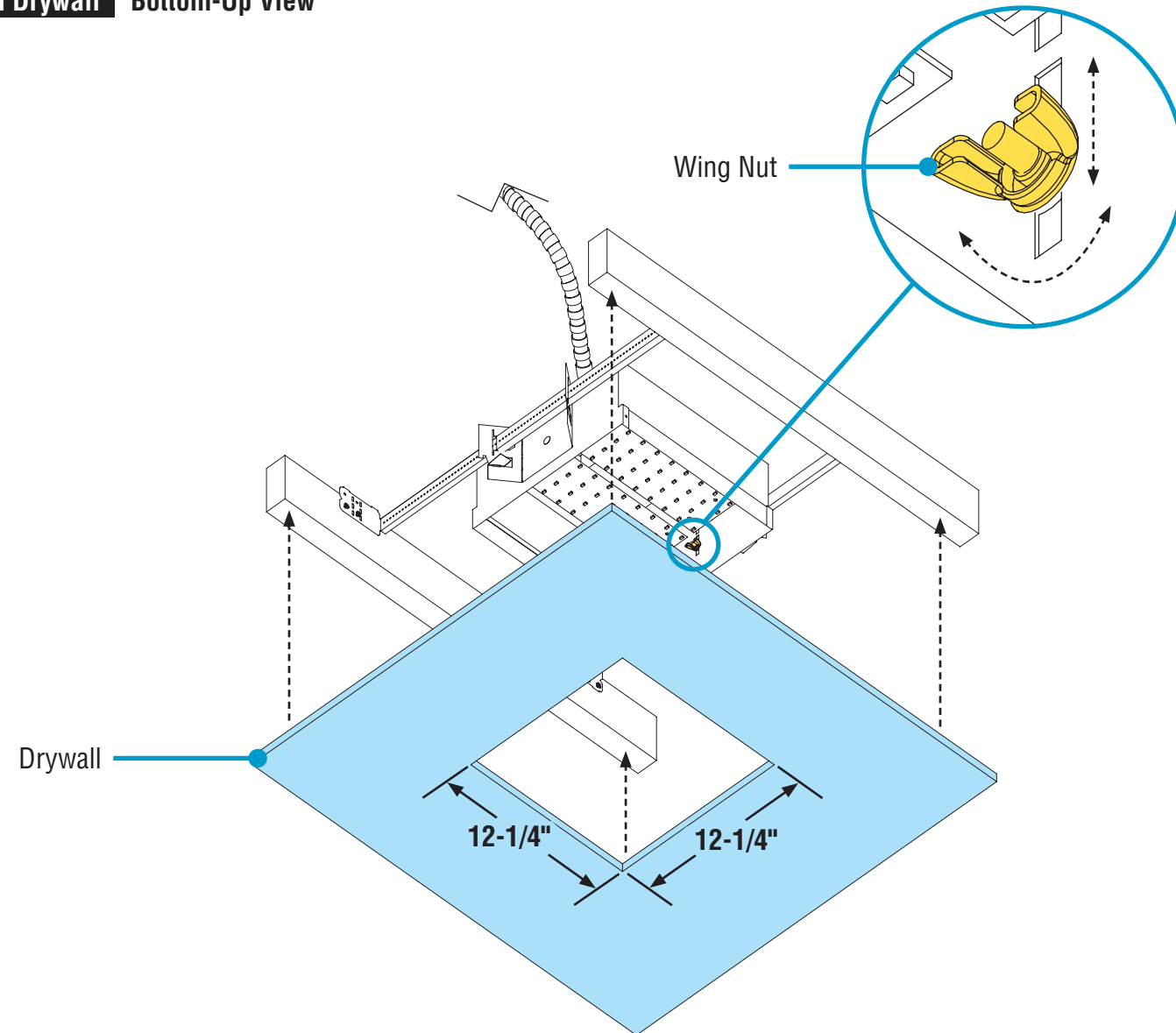


0-10V  
Dimming

# HPR 1'x1' Drywall Installation Instructions

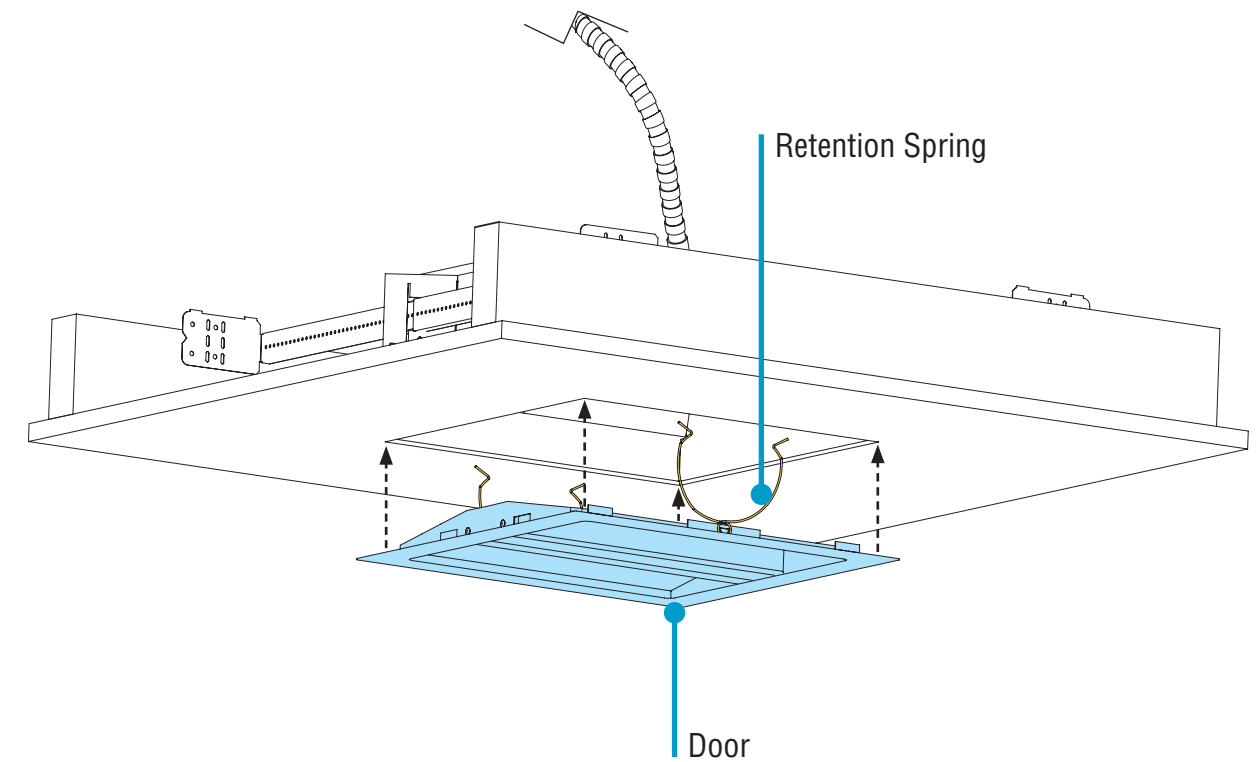
## Step 5 - Closing Luminaire

### A. Install Drywall Bottom-Up View



- Cut 12-1/4" x 12-1/4" square hole in drywall.
- Install drywall, making sure cutout aligns with luminaire.
- If necessary, adjust by using the wing nuts on the side.
- **NOTE:** The bottom of the luminaire should be flush with the drywall after installation.

### B. Replace Door Bottom-Up View



- Replace door by pressing retention springs to align with cutout on luminaire body.
- Press the door into place.
- **NOTE:** If there are light leaks or gaps, go back to Step 5A to adjust the housing.
- Turn power on to luminaire.