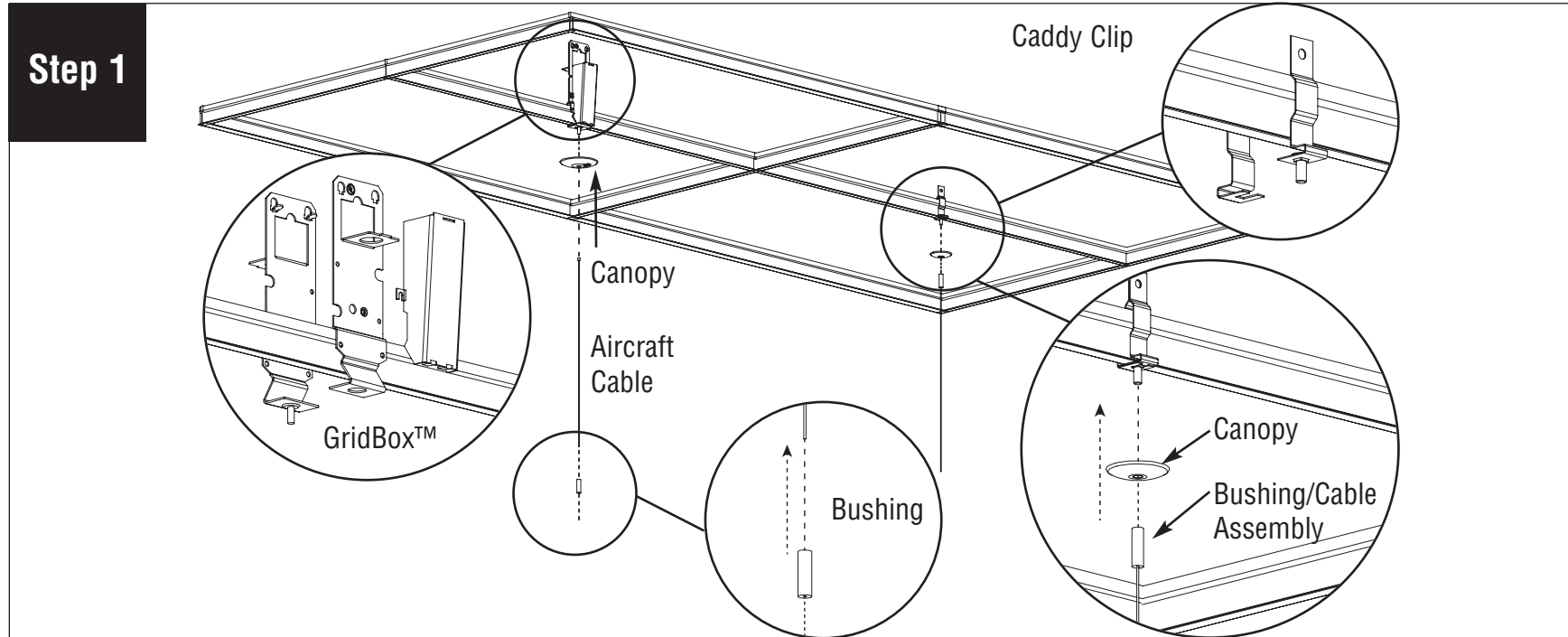
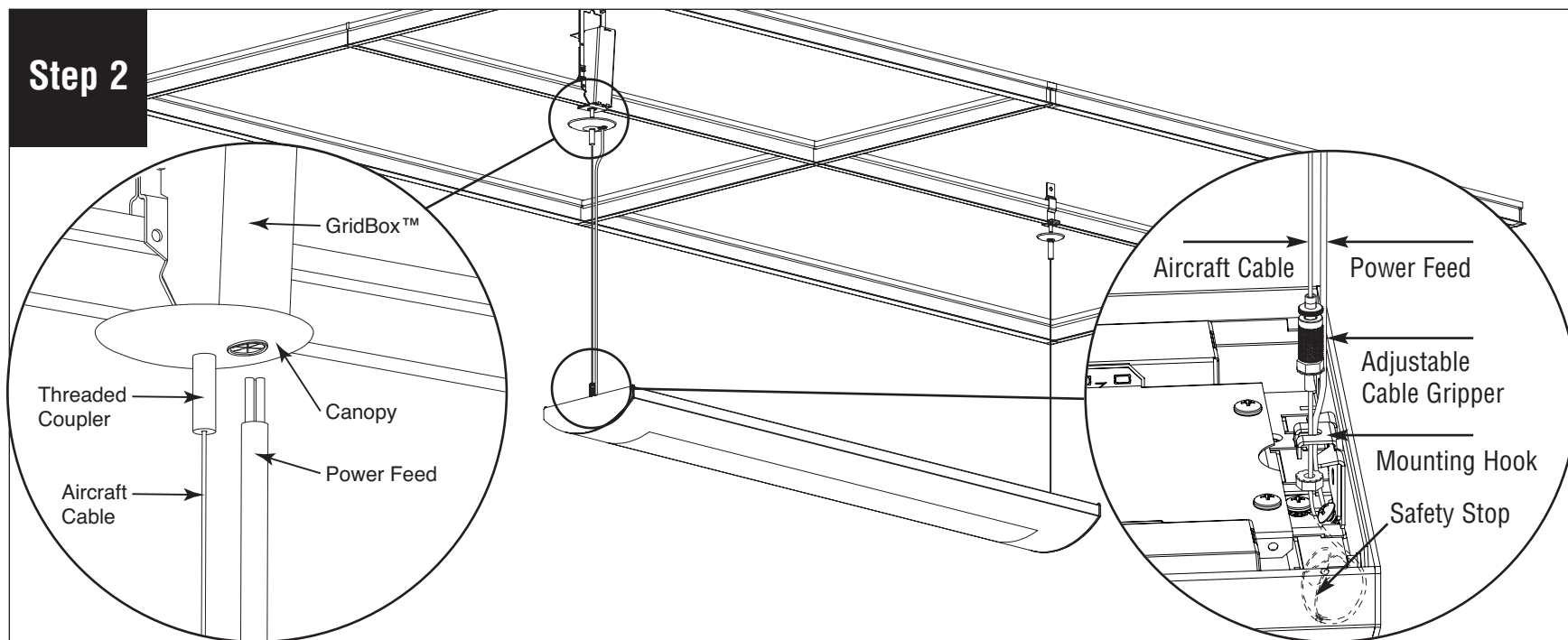


S12 LED 3E Fully Adjustable Cable Starter/Independent Installation Instructions



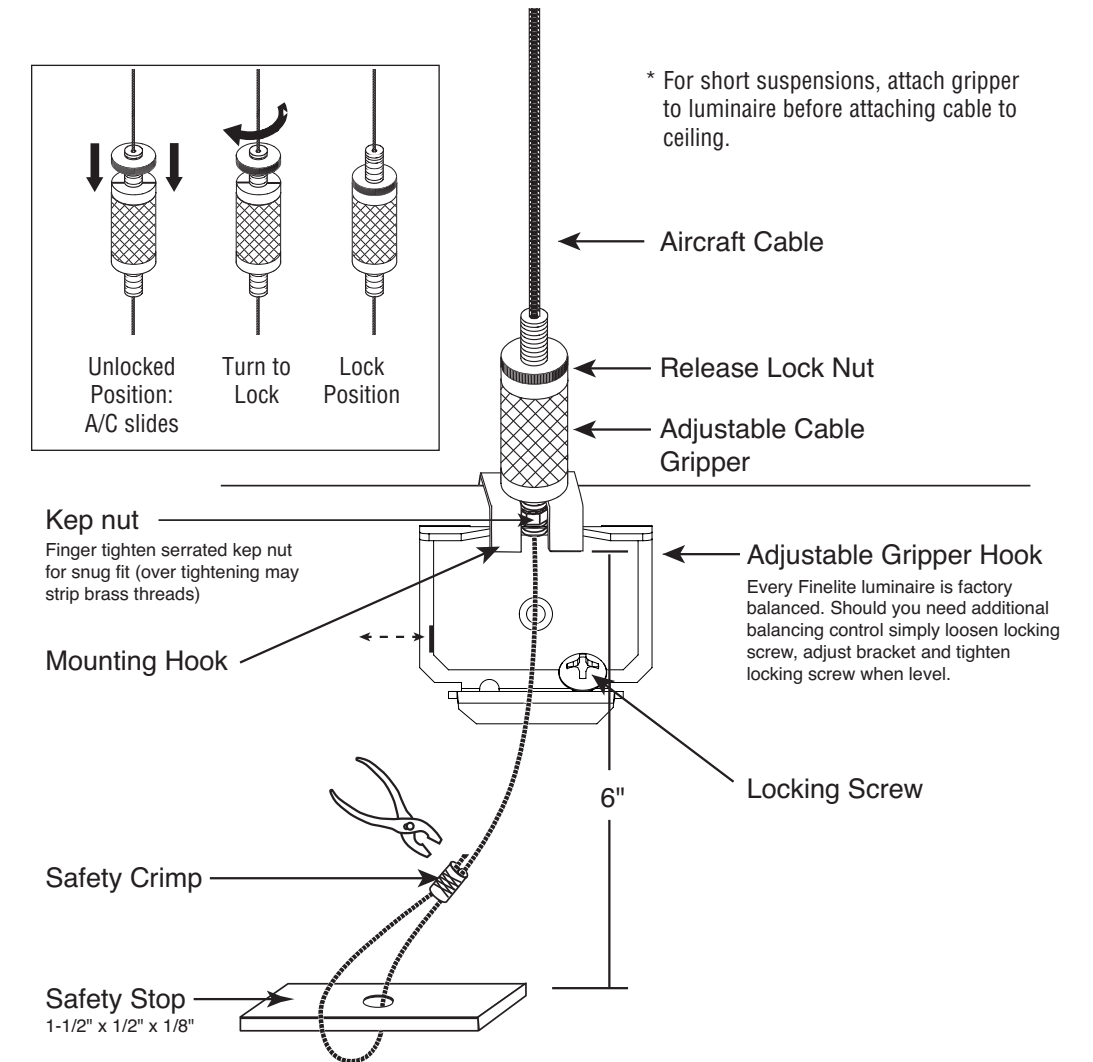
Install GridBox™ (Refer to GridBox instruction - Form#98000) and caddy clip onto T-bar. Install canopy onto GridBox™ and caddy clip then insert aircraft cable into bushing and assembly onto GridBox and caddy clip.



Insert aircraft cables into grippers (see fully adjustable cable gripper assembly for details). Slide safety stop and safety crimp up to the aircraft cable within 6" of cable gripper and secure inside body. Insert power feed through canopy into GridBox (follow GridBox installation instruction for wiring - Form# 98000). Level luminaire and turn power on to luminaire.

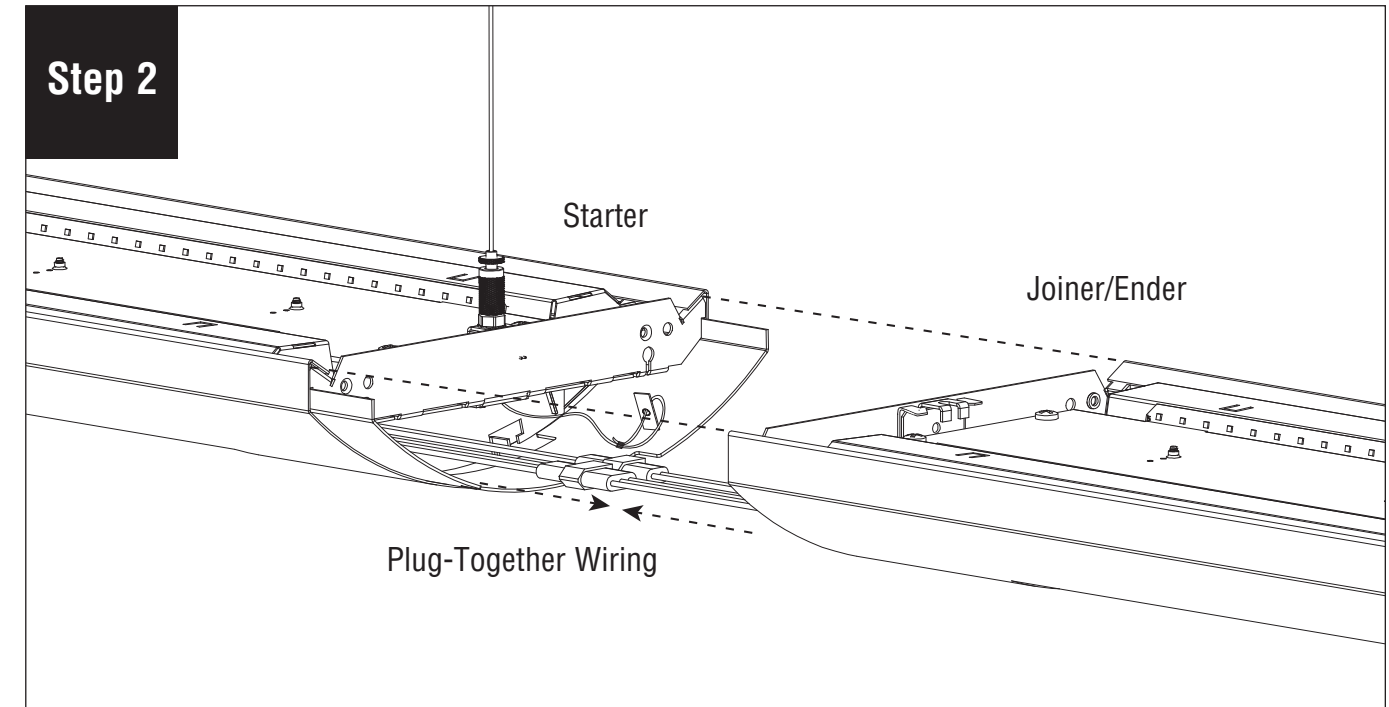
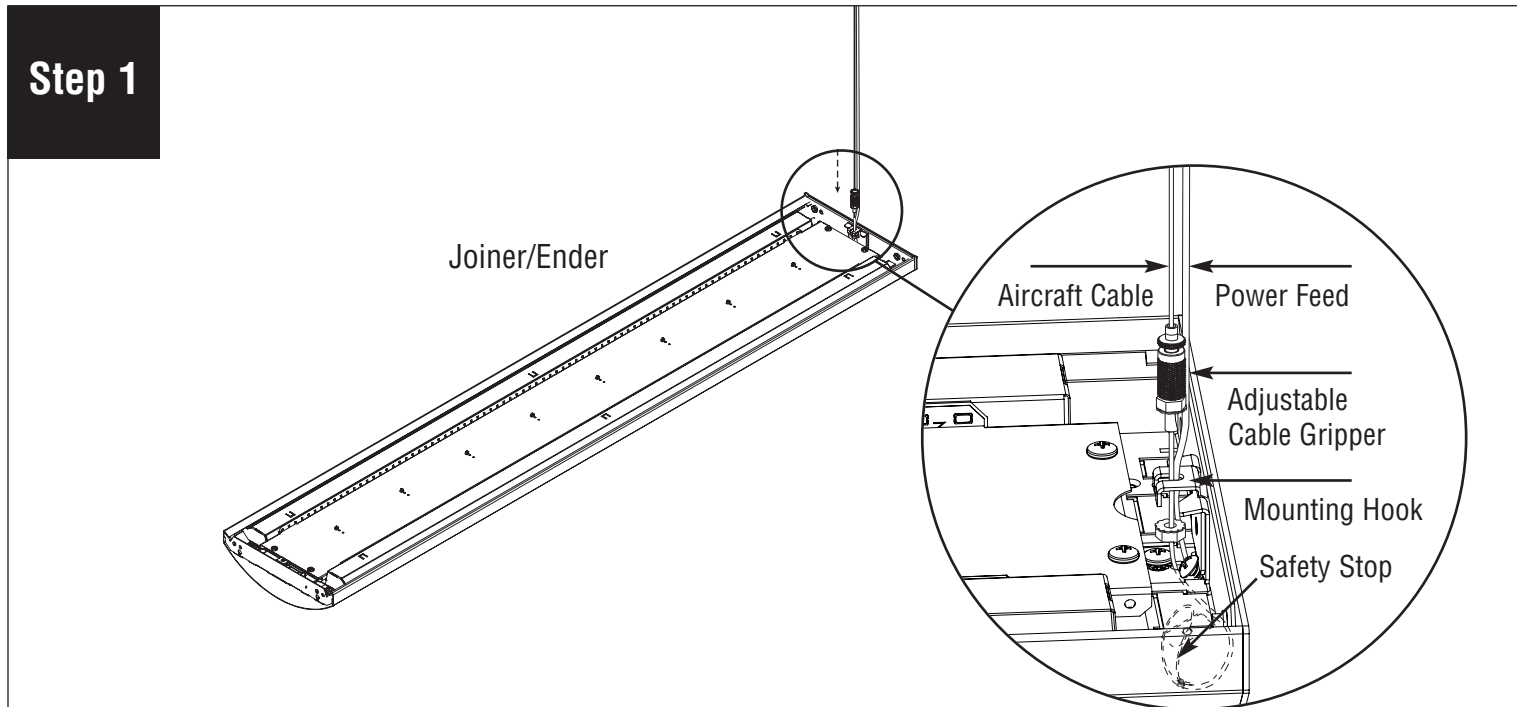
Note: All power connections to be installed to local/national codes by a Certified Electrician.

Fully Adjustable Cable Gripper Assembly



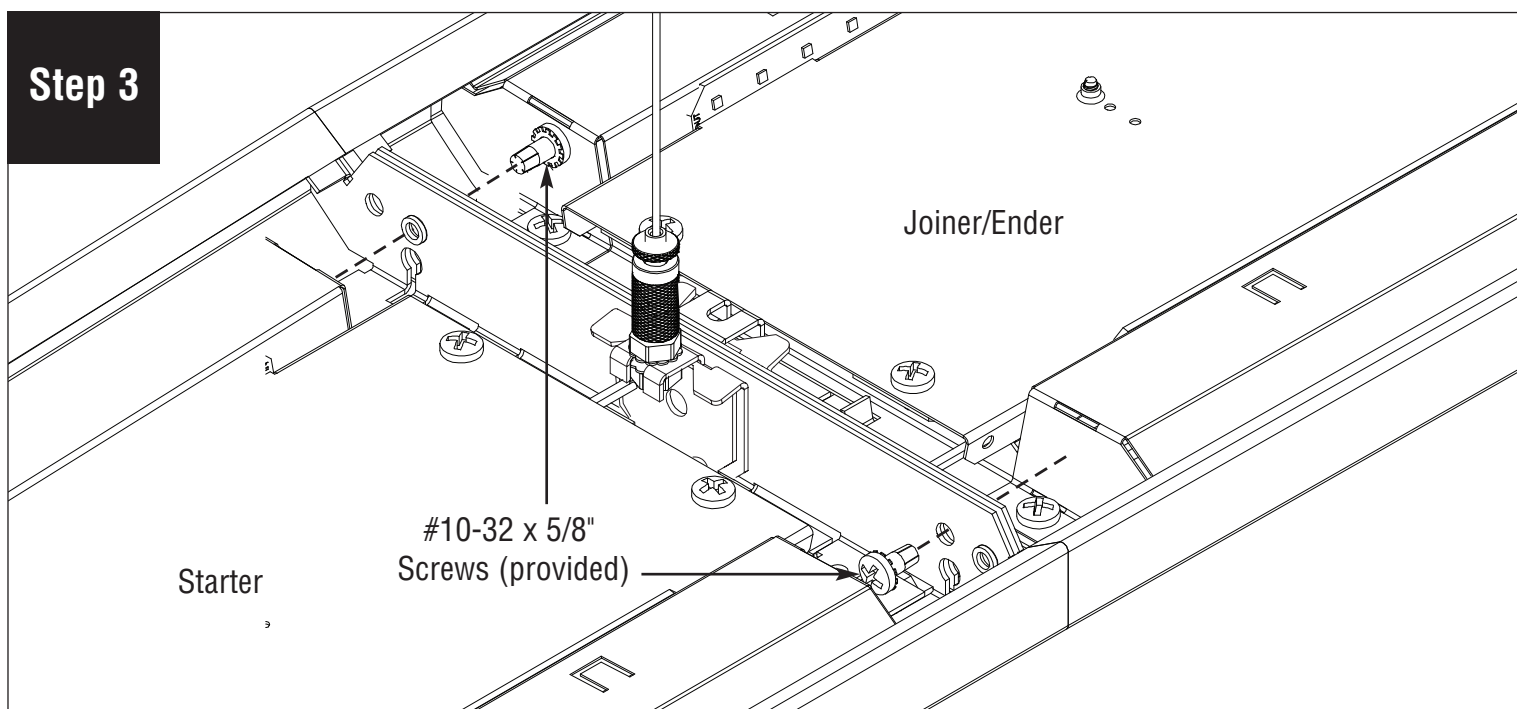
1. Position the serrated kepp nut of the adjustable cable gripper assembly under the mounting hooks, rotate up to sit securely on top of hook.
2. Finger tighten adjustable cable gripper until secure. (Avoid over-tightening.)
3. Depress the release lock nut to adjust the aircraft cable to the correct length to level the luminaire. Screw down release lock nut. Pull excess aircraft cable away from luminaire.
4. Pull all but 9" of cable up through safety stop and safety crimp.
5. Secure safety crimp with crimping tool. Trim off excess cable.
6. Push safety stop, safety crimp and remaining 6" of cable down into luminaire body.

S12 LED 3E Fully Adjustable Cable Joiner/Ender Installation Instructions



Install aircraft cable into gripper and install gripper onto the end of joiner luminaire. Slide safety stop and safety crimp up to the aircraft cable within 6" of cable gripper and secure inside luminaire body.

Connect plug-together wiring. Align joiner luminaire onto starter luminaire using joiner plate. Be careful not to pinch any wiring.



Secure joint with #10-32 x 5/8" screws (provided). Level luminaire and turn power on.

Note: All power connections to be installed to local/national codes by a Certified Electrician.