

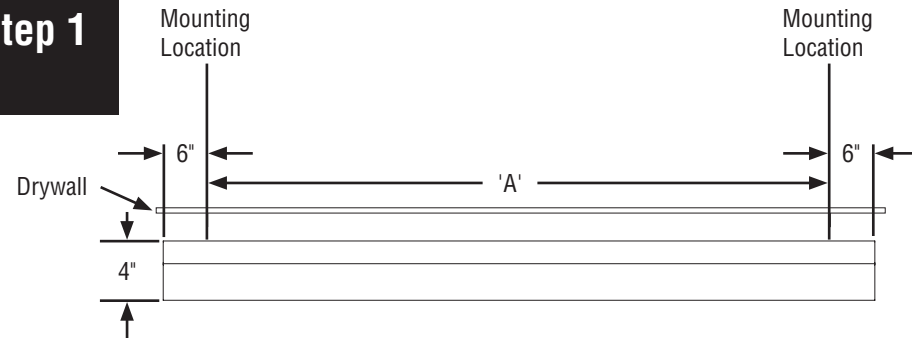
HP-4 Wall Wash Surface Mount Drywall Starter/Independent Installation Instructions

Scan QR code for helpful video(s)



0 - 10V Dimming

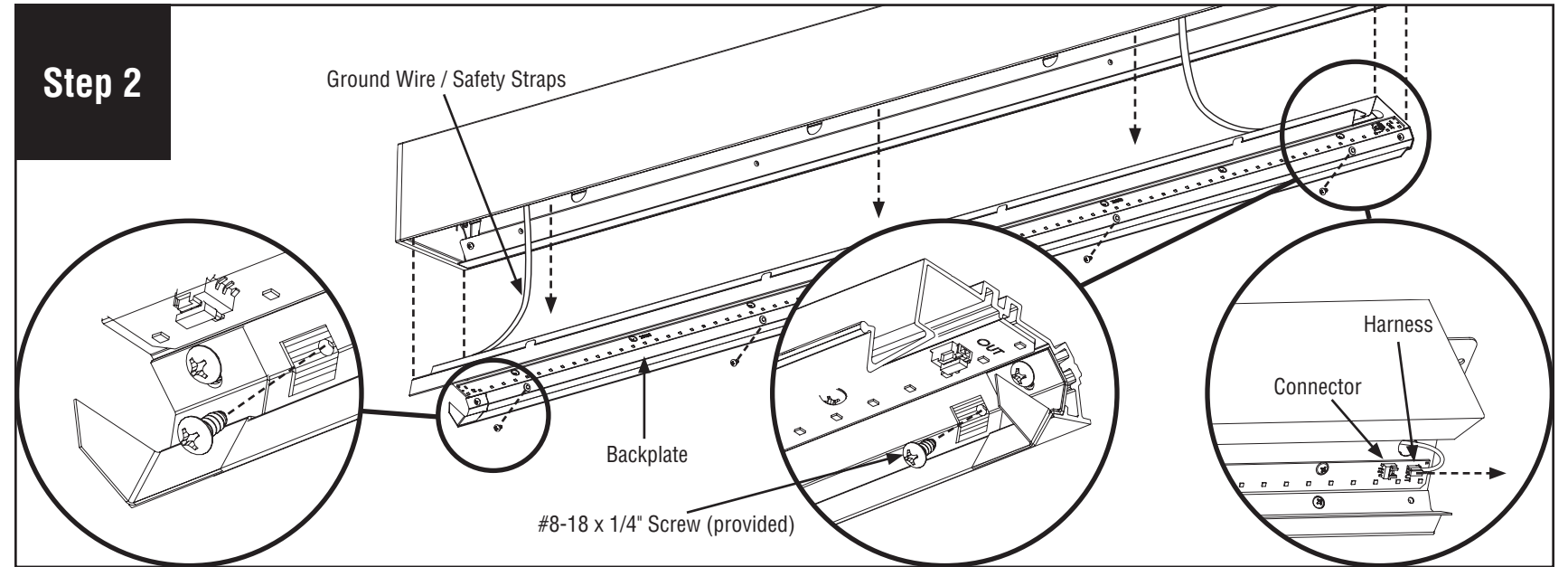
Step 1



MOUNTING HOLE LOCATION TABLE	
LUMINAIRE LENGTH	'A' (in)
4'	36
8'	84
12'	132

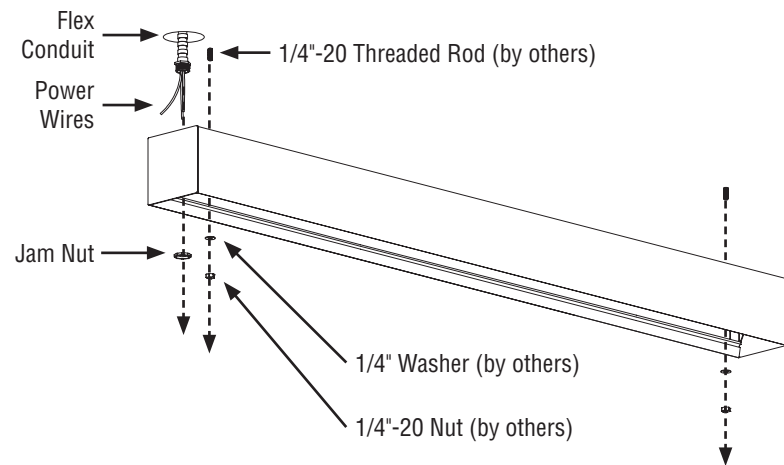
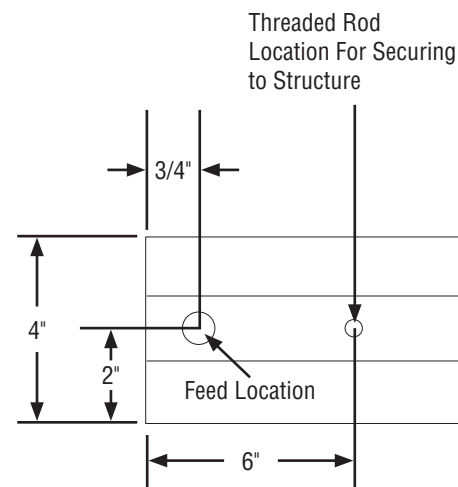
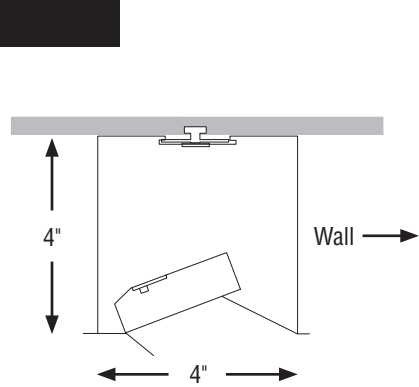
Use the chart above to determine the correct mounting points. Provide structural support (blocking) at each mounting location (by others).

Step 2



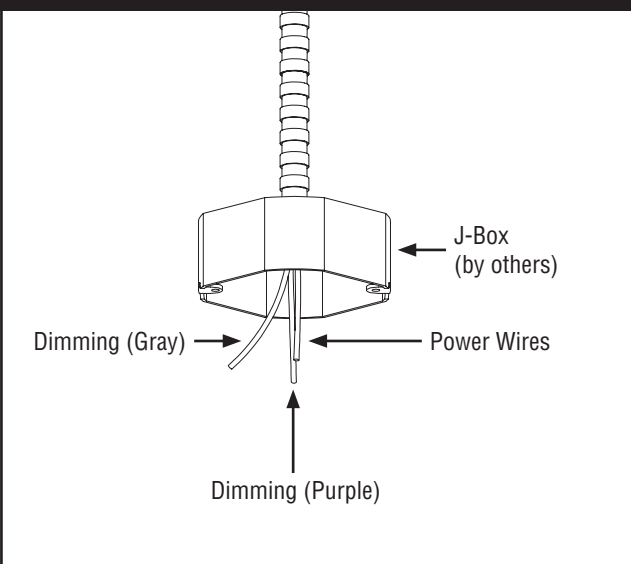
Remove diffuser from luminaire and set aside to prevent it from getting dirty or damaged. Remove backplate as a whole unit by removing #8-18 x 1/4" screws (provided). There are two ground wire safety straps that the backplate assembly will hang from. Only remove the backplate that is adjacent to the joint.

Step 3

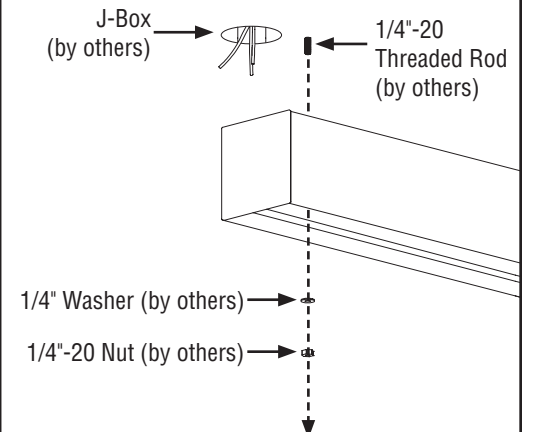


Determine new feed hole on luminaire as indicated above. Install luminaire onto drywall. Insert wires through jam nut and install jam nut onto conduit connector. **NOTE:** Purple and gray wires are for Low Voltage Control.

ALTERNATE POWER FEED OPTION

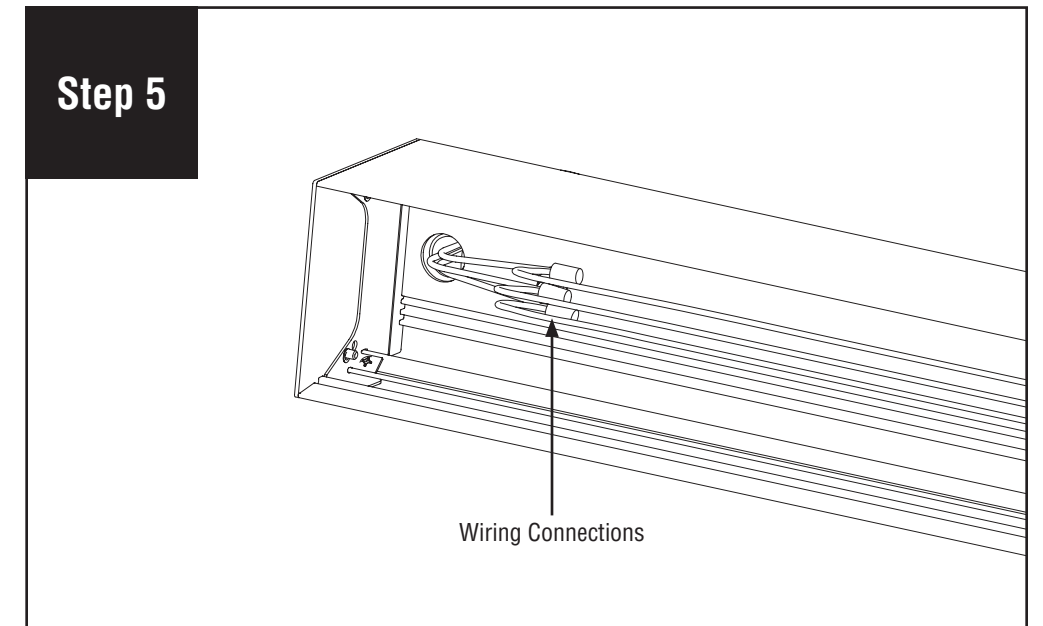
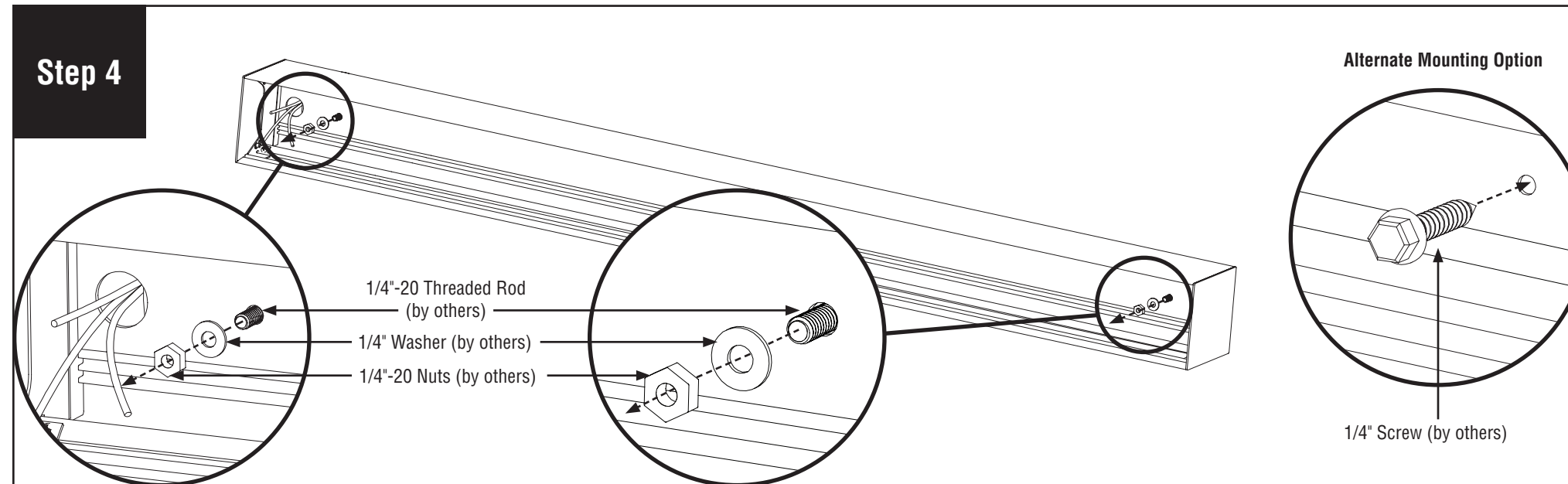


ALTERNATE POWER FEED WITH OPTION: with J-Box.



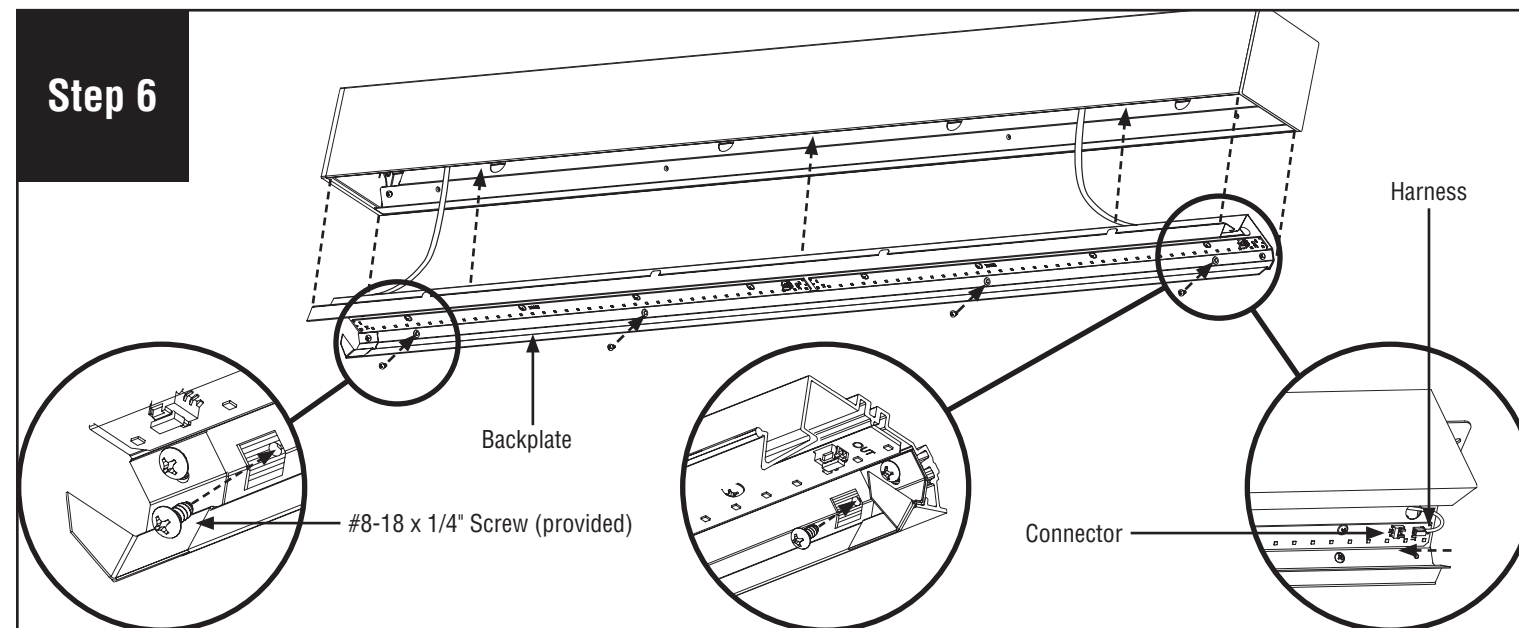
Note: All power connections to be installed to local/national codes by a Certified Electrician.

HP-4 Wall Wash Surface Mount Drywall Starter/Independent Installation Instructions

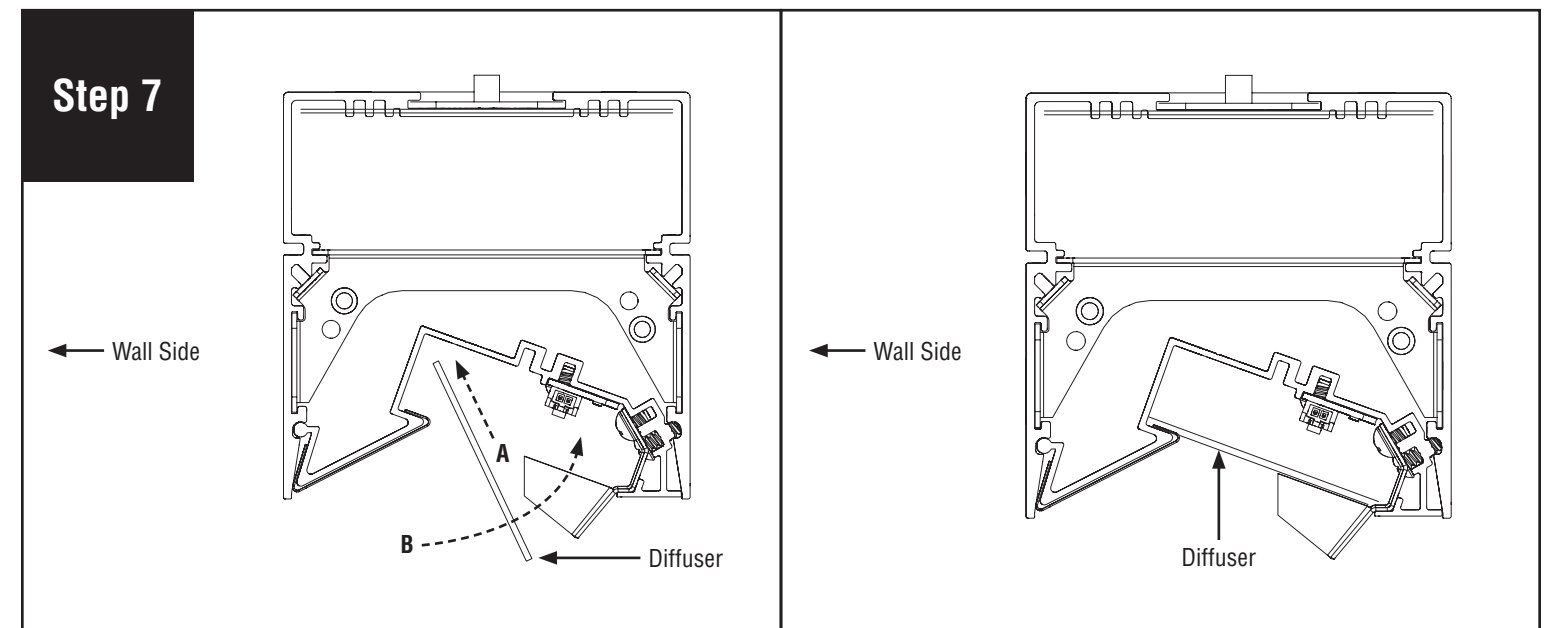


Install 1/4" washers (by others) and 1/4"-20 nuts (by others) onto 1/4"-20 threaded rod (by others), or use alternate mounting options (use fastener and washer compatible with structural blocking to secure luminaire).

Make wiring connections.



Replace backplate and secure with #8-18 x 1/4" screws (provided).



A. Slide diffuser into backplate. **B.** Push bottom edge of the diffuser into backplate. Turn on luminaire. **NOTE:** If part of a longer run, diffuser will be reinstalled back into original luminaire section as lengths vary.

Note: All power connections to be installed to local/national codes by a Certified Electrician.

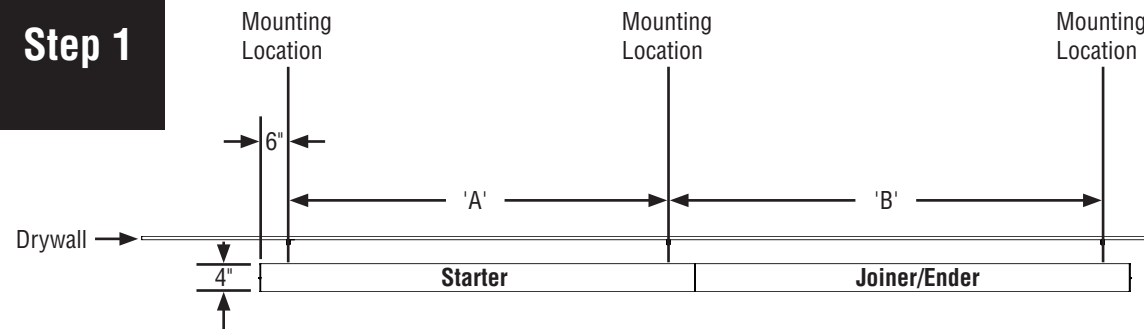
HP-4 Wall Wash Surface Mount Drywall Joiner/Ender Installation Instructions

Scan QR code for helpful video(s)



0 - 10V Dimming

Step 1

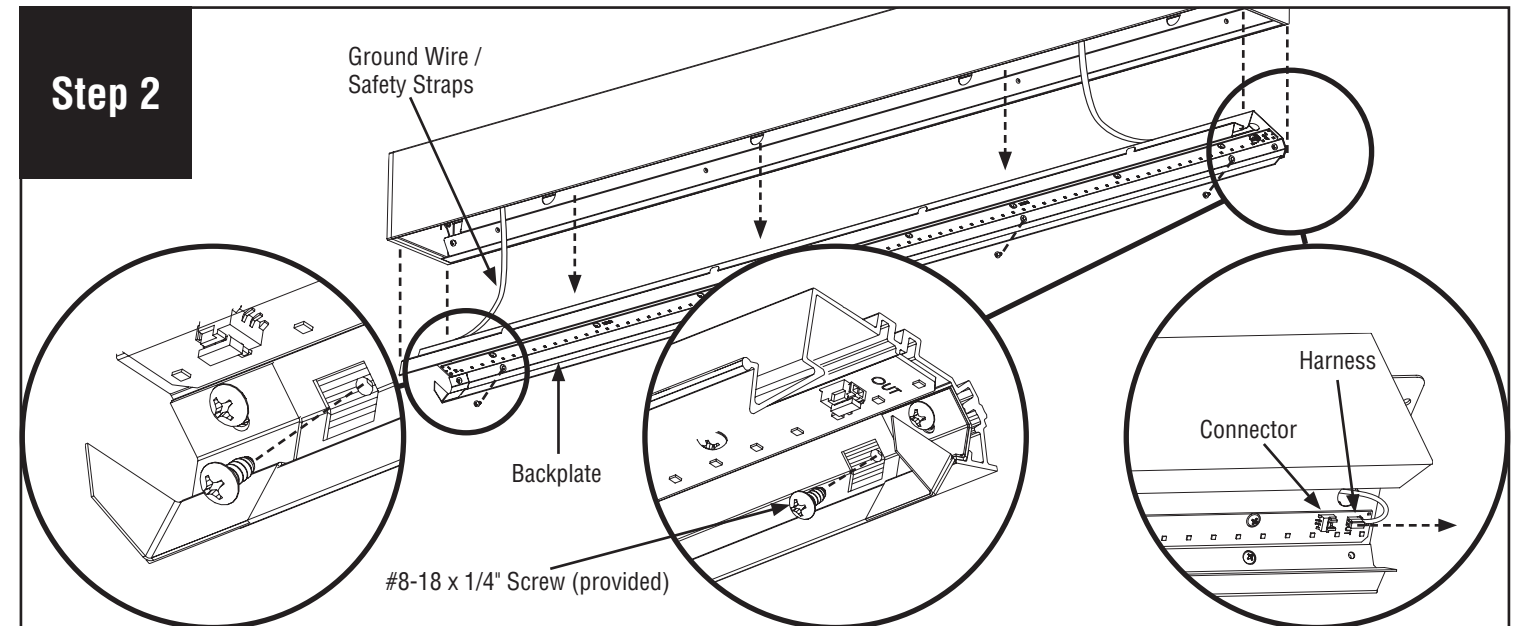


MOUNTING HOLE LOCATION TABLE

FIXTURE LENGTH	'A' (in.)	'B' (in.)
4'	36	48
8'	84	96
12'	132	144

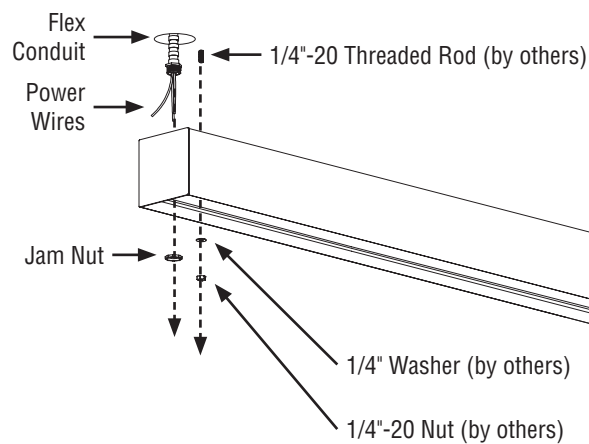
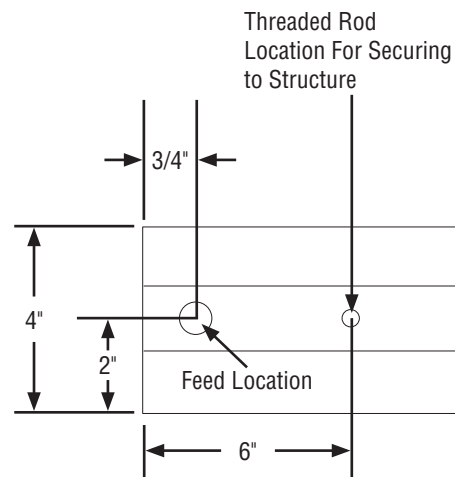
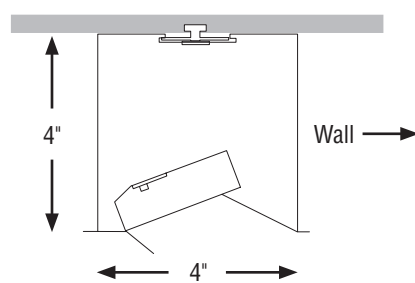
Use the chart above to determine the correct mounting points. Provide structural support (blocking) at each mounting location (by others).

Step 2



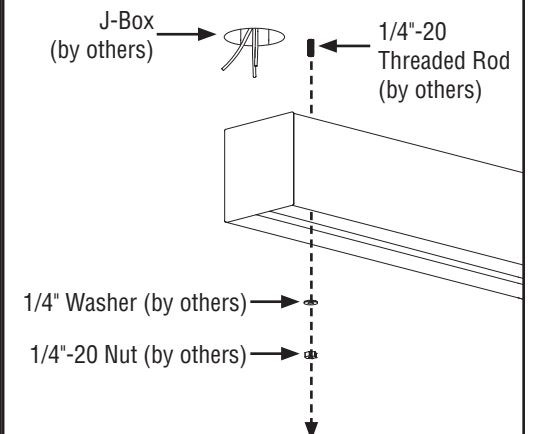
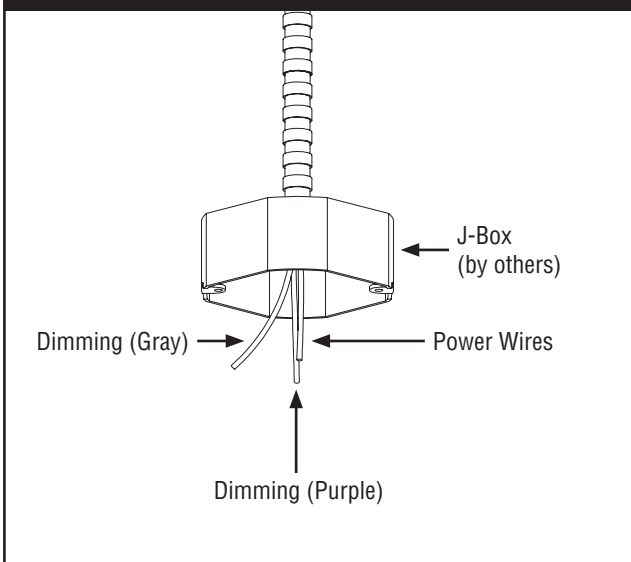
Remove diffuser from luminaire and set aside to prevent it from getting dirty or damaged. Remove backplate as a whole unit by removing #8-18 x 1/4" screws (provided). There are two ground wire safety straps that the backplate assembly will hang from. Only remove the backplate that is adjacent to the joint.

Step 3



Determine new feed hole on luminaire as indicated above. Install luminaire onto drywall. Insert wires through jam nut and install jam nut onto conduit connector. **NOTE:** Purple and gray wires are for Low Voltage Control.

ALTERNATE POWER FEED OPTION



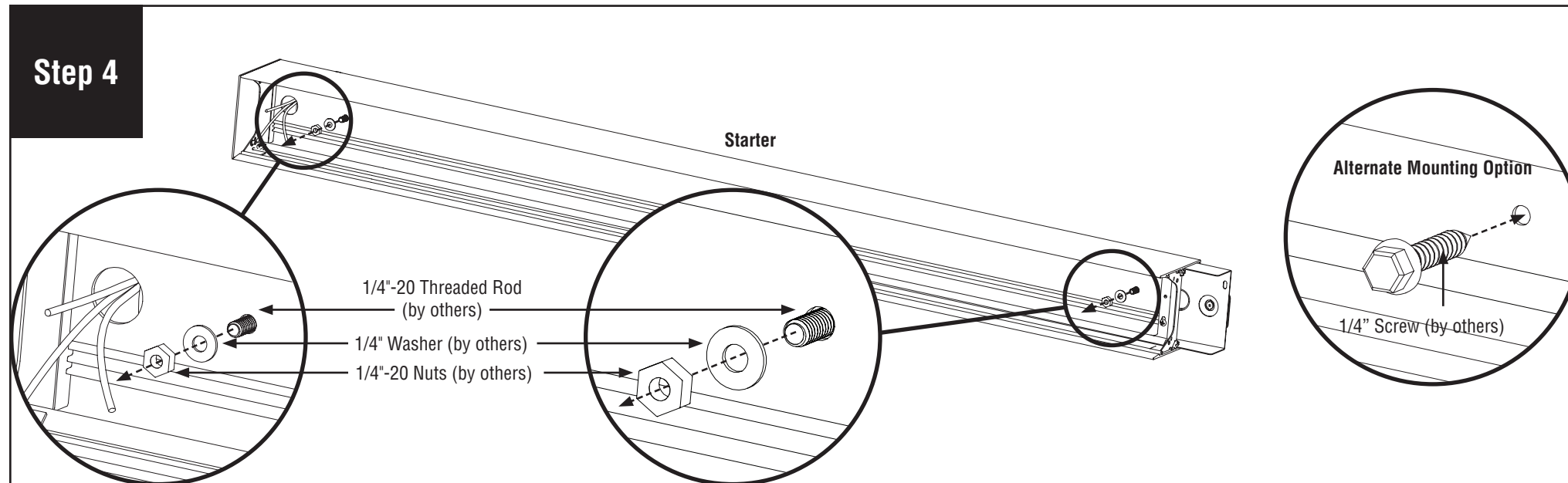
ALTERNATE POWER FEED OPTION: with J-Box.

Note: All power connections to be installed to local/national codes by a Certified Electrician.

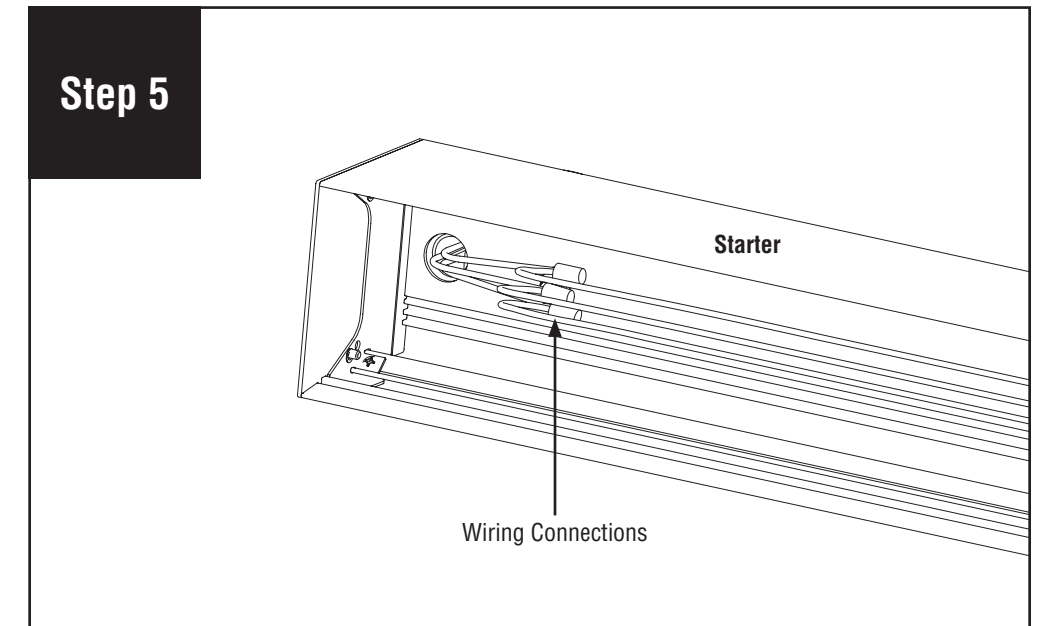
Protected by one or more US Patents: 8915613; D702,390; D700,732; D727,554 S; D727,550 S; D727,551 S

© 2017 FINELITE, INC. ALL RIGHTS RESERVED. Form 98244 V2. 04/17

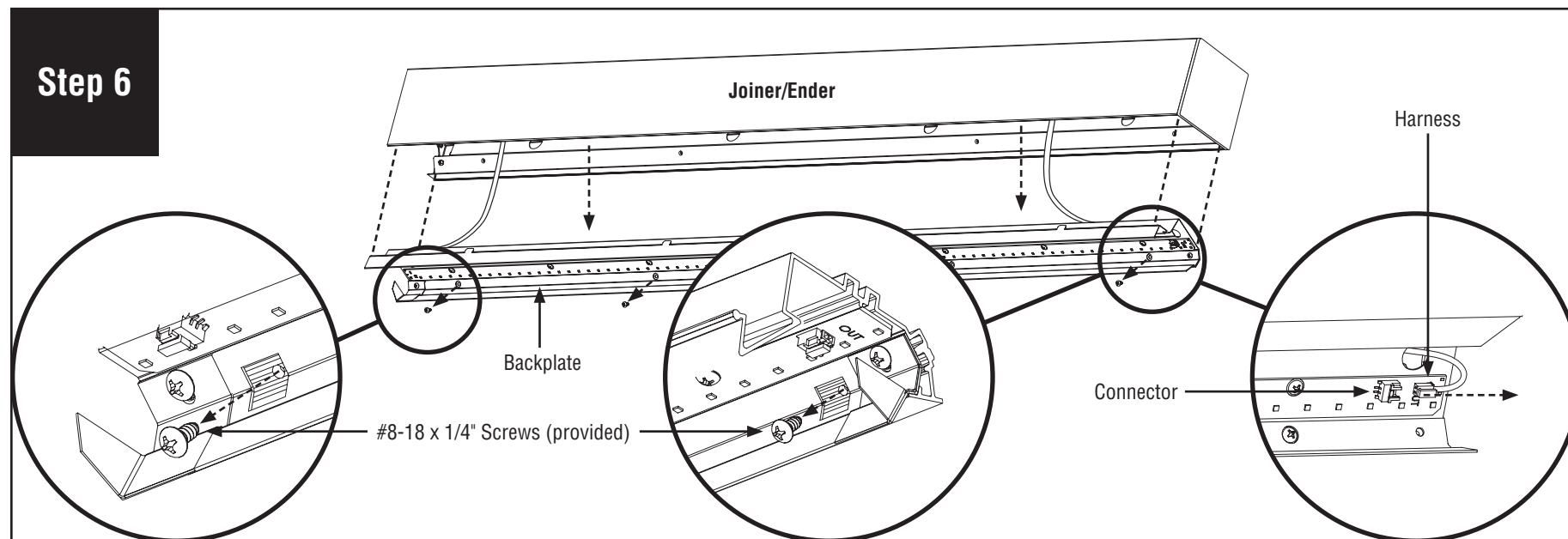
HP-4 Wall Wash Surface Mount Drywall Joiner/Ender Installation Instructions



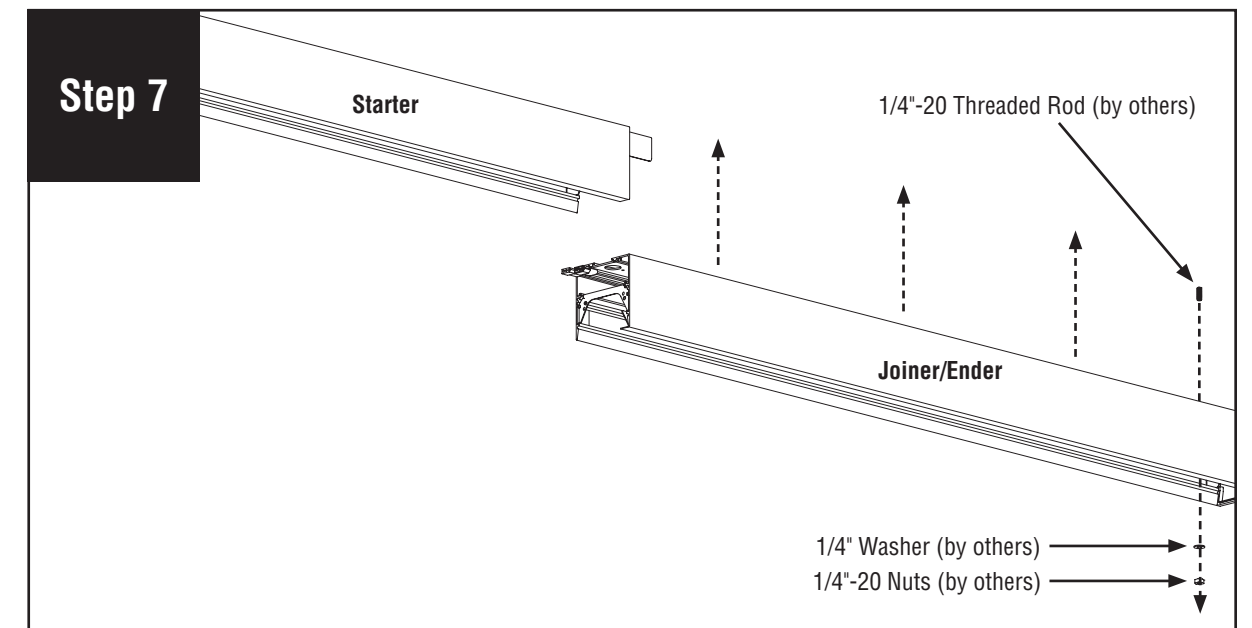
Install 1/4" washers (by others) and 1/4"-20 nuts (by others) onto 1/4"-20 threaded rod (by others), or use alternate mounting options (use fastener and washer compatible to structural blocking to secure luminaire).



Make wiring connections.



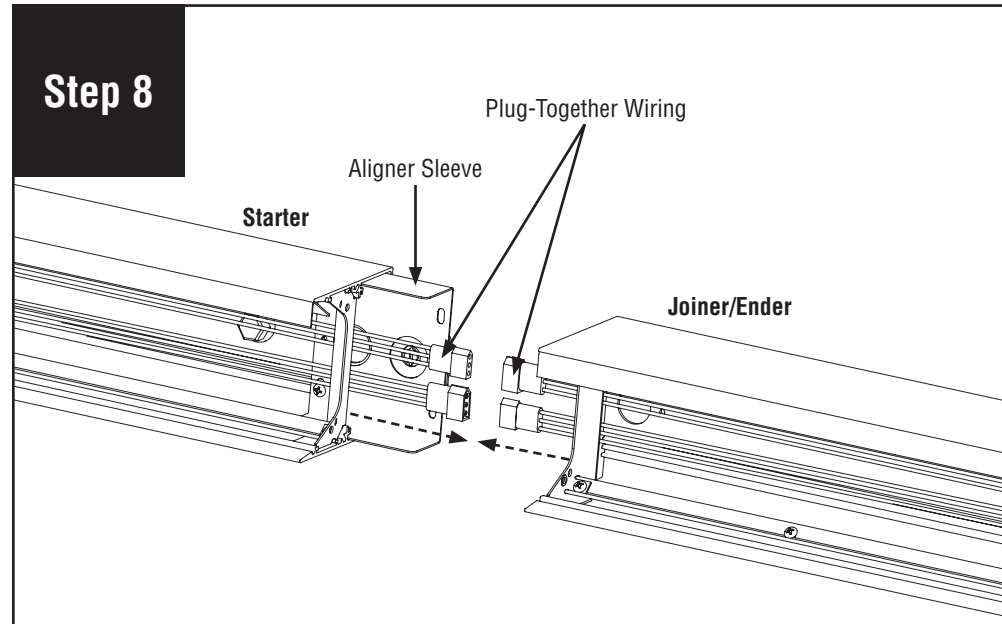
Remove diffuser from joiner/ender luminaire and set aside to prevent it from getting dirty or damaged. Remove backplate from joiner/ender as a whole unit by removing #8-18 x 1/4" screws (provided).



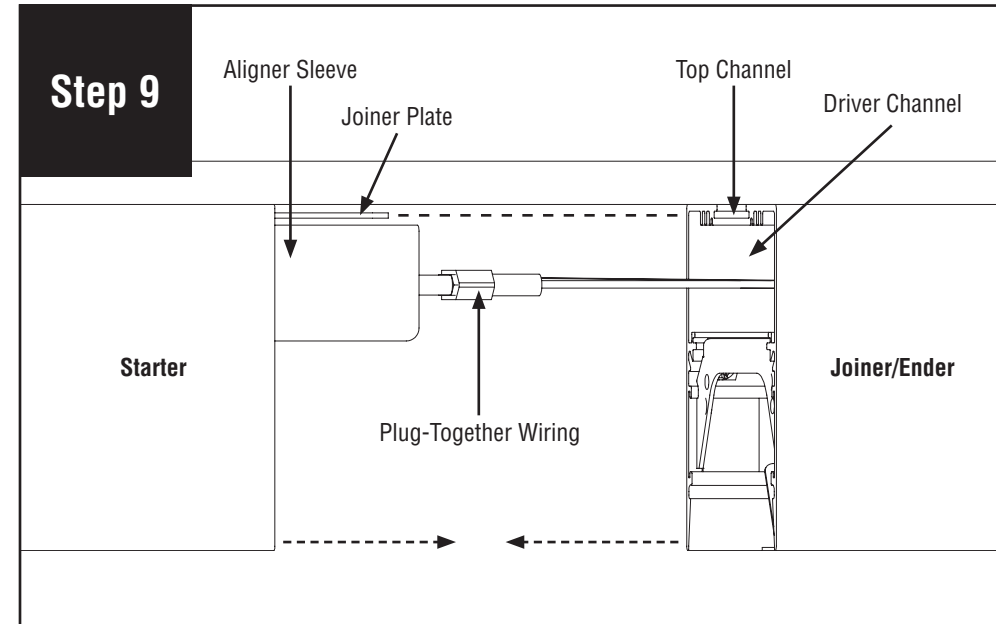
Align starter and joiner/ender.

Note: All power connections to be installed to local/national codes by a Certified Electrician.

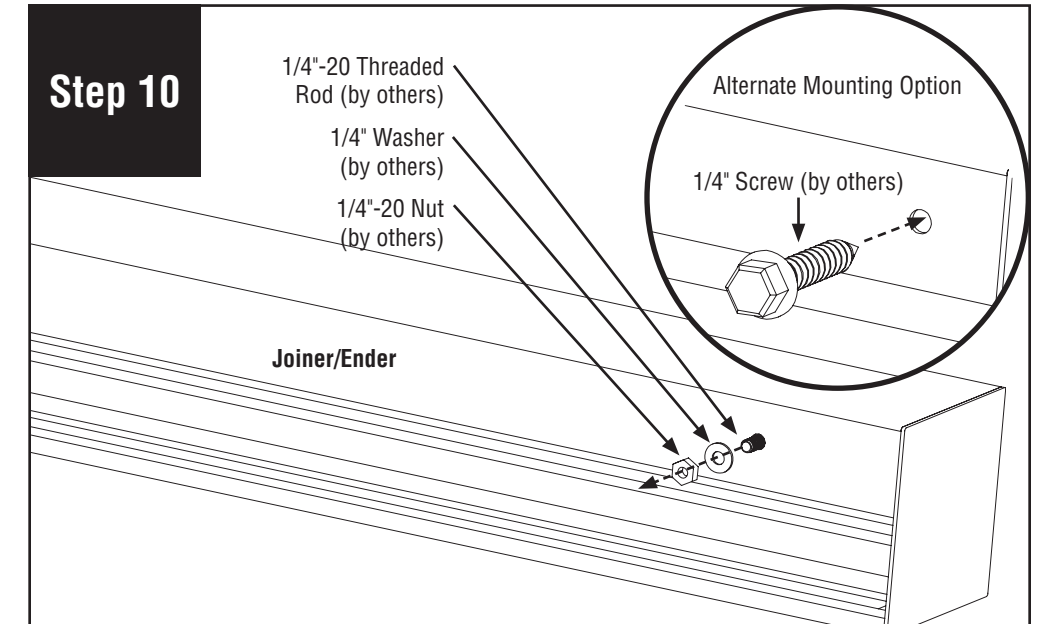
HP-4 Wall Wash Surface Mount Drywall Joiner/Ender Installation Instructions



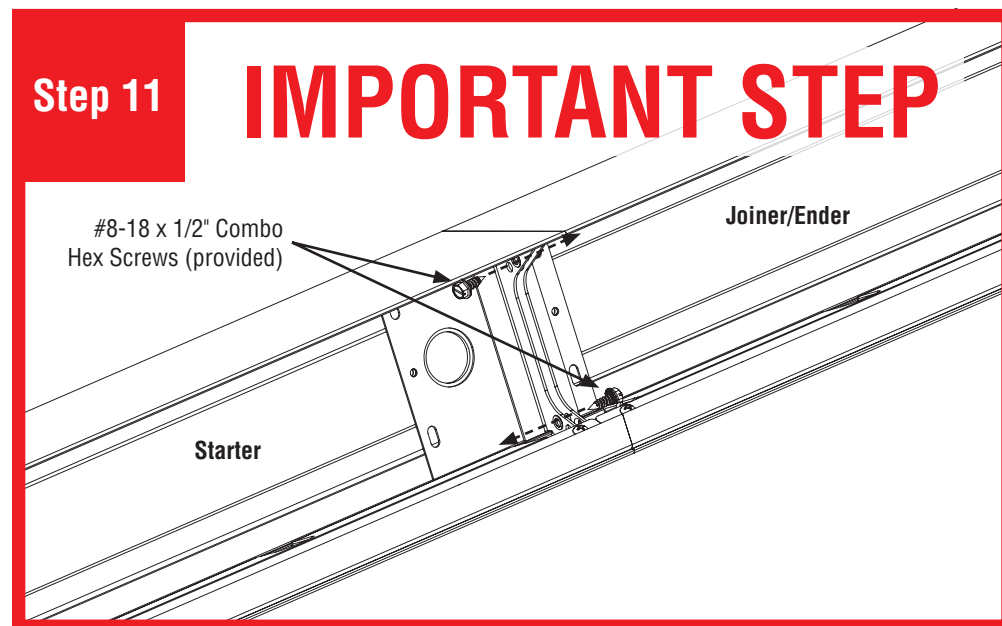
Connect plug-together wiring.



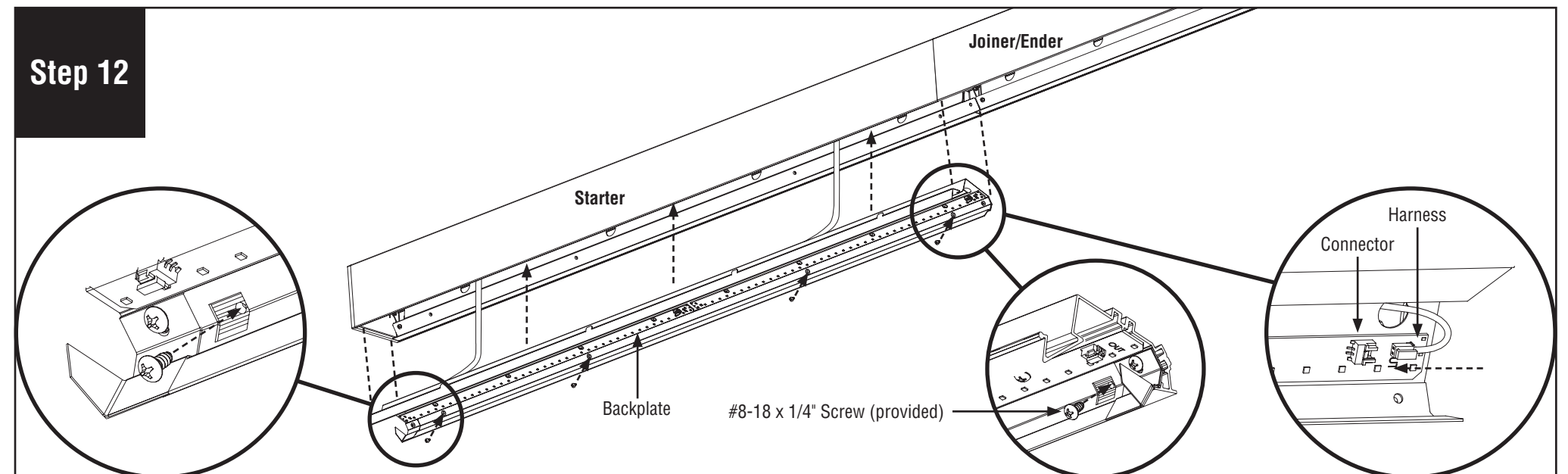
Line up aligner sleeve with driver channel and joiner/ender plate with top channel then slide joiner/ender toward starter. **CAUTION: Be careful not to damage any wiring.**



Install 1/4" washers (by others) and 1/4"-20 nuts (by others) onto 1/4"-20 threaded rod (by others), or use alternate mounting option (use fastener and washer compatible to structural blocking to secure luminaire).



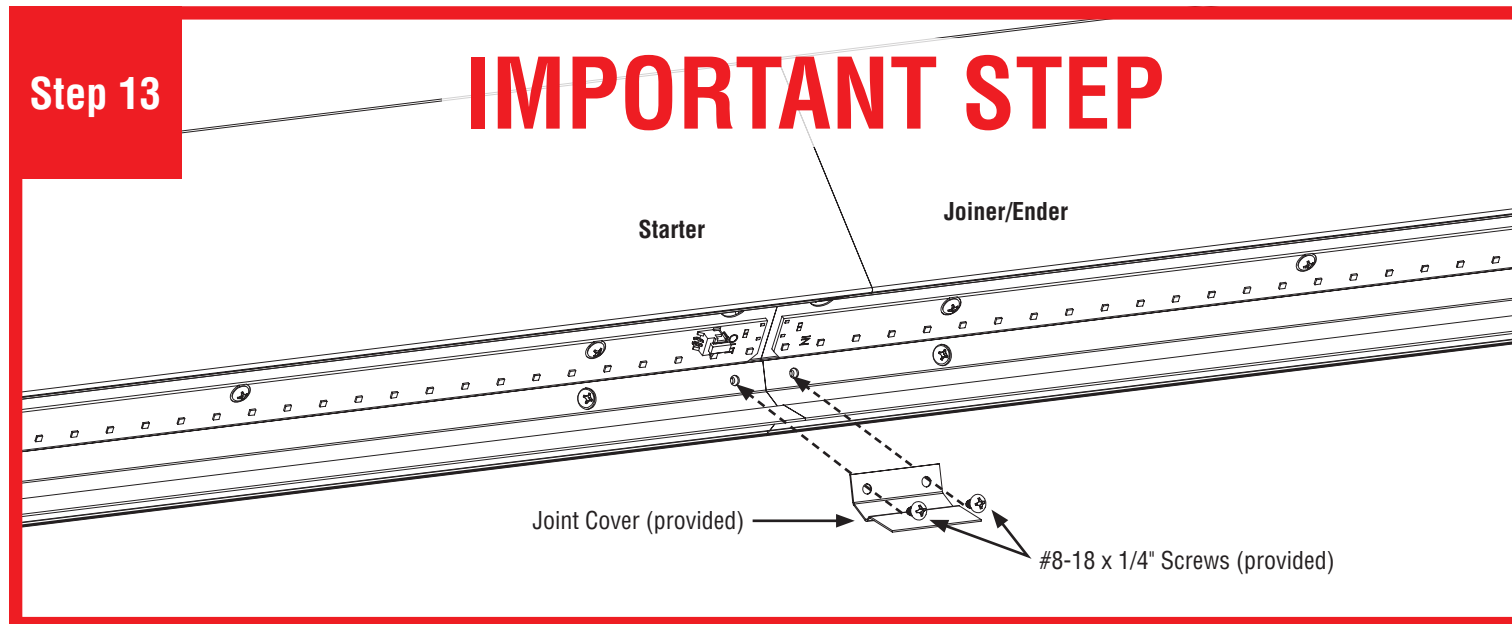
IMPORTANT STEP: Install two #8-18 x 1/2" combo hex screws (provided) as shown. Screws can be installed from the left or right. **CAUTION: Do not over-tighten.**



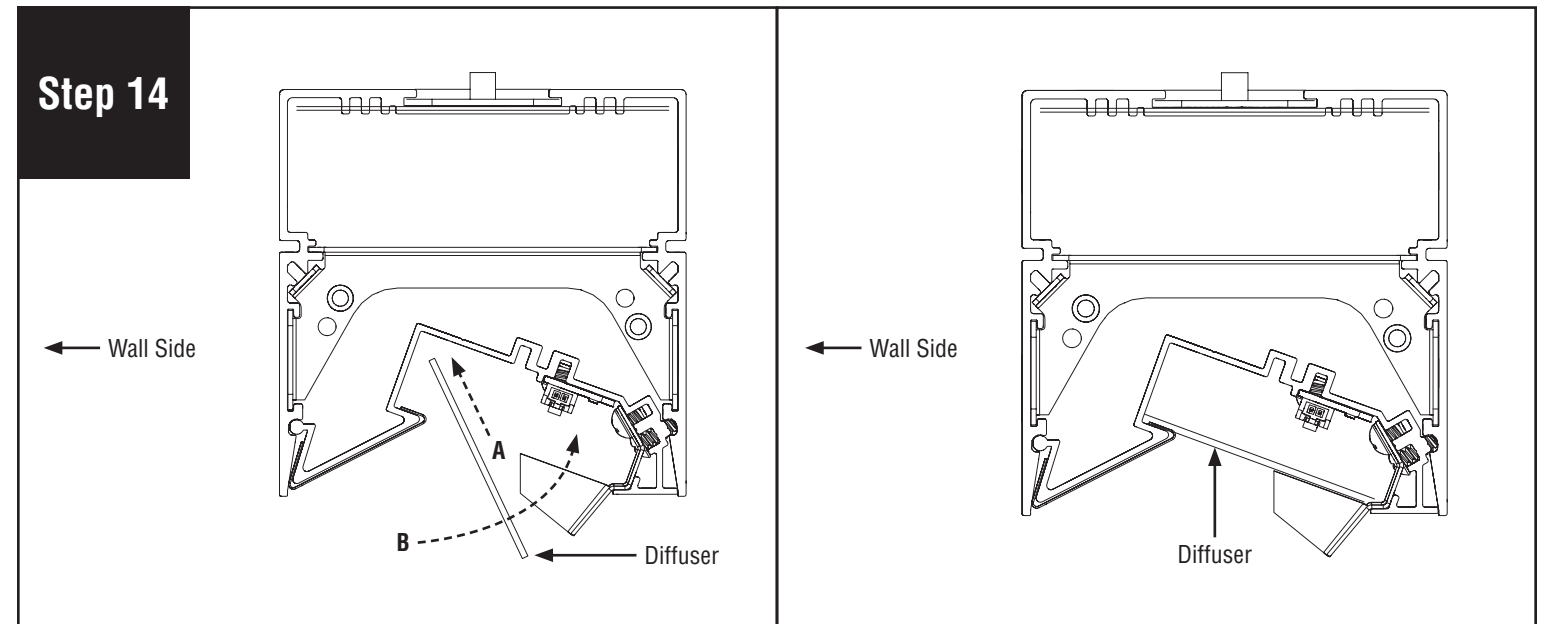
Replace backplate to starter and joiner/ender and secure with #8-18 x 1/4" screws (provided).

Note: All power connections to be installed to local/national codes by a Certified Electrician.

HP-4 Wall Wash Surface Mount Drywall Joiner/Ender Installation Instructions



IMPORTANT STEP: Install joint cover (provided) between backplate with two #8-18 x 1/4" screws (provided).



A. Slide diffuser into backplate. **B.** Push bottom edge of the diffuser into backplate. Turn on luminaire. **NOTE:** If part of a longer run, diffuser will be reinstalled back into original luminaire section as lengths vary.

Note: All power connections to be installed to local/national codes by a Certified Electrician.