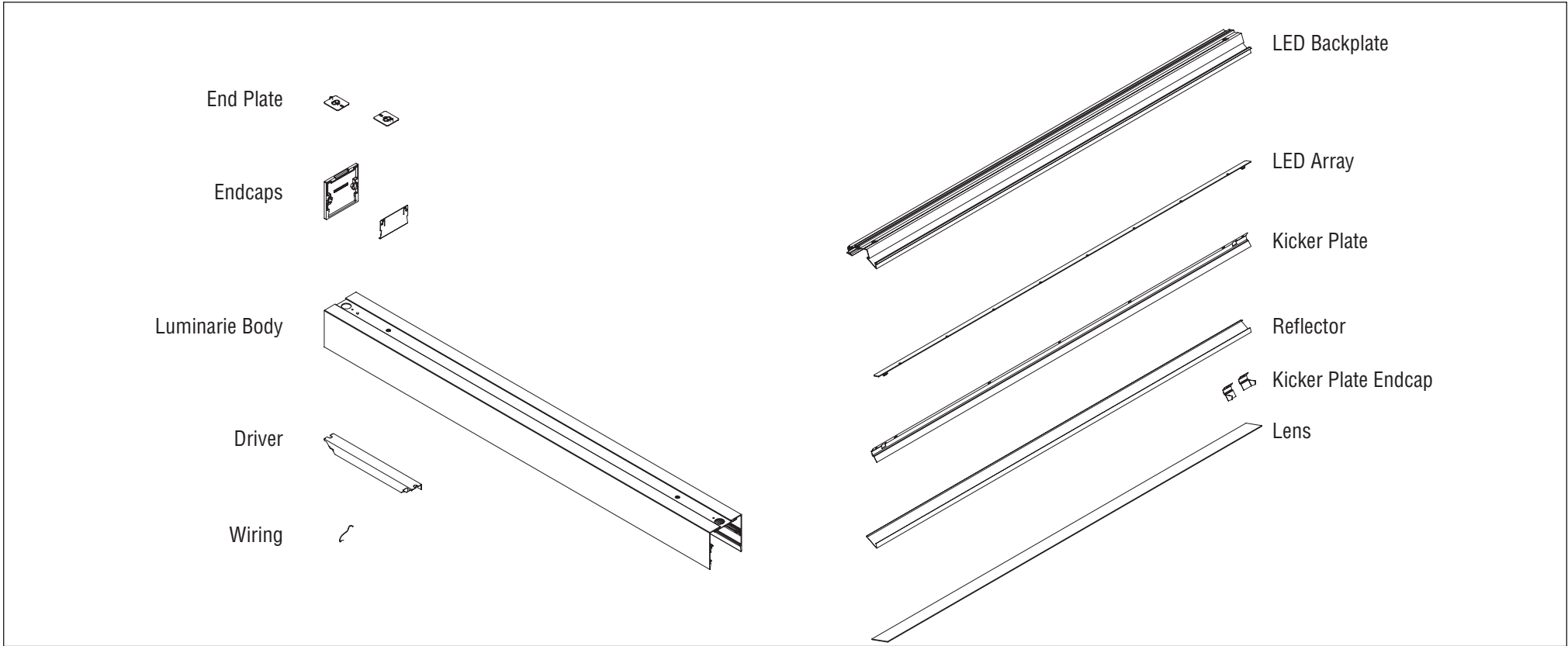


HP-4 Wall Wash

HP-4 Wall Wash Recycling Luminaire Breakdown

Luminaire breaks down easily for recycling at the end of usable life*.



STEEL

Aluminum

7

e

*Recycling information typical for all luminaire sizes. Contact factory for more information.

Protected by one or more US Patents: 8915613; D702,391; D702,390; D700,732

HP-4 Wall Wash

HP-4 ID & ID RG Recycling Luminaire Breakdown

95% Recyclable

HP-4 Wall Wash components are constructed from aluminum, steel, copper wire, e-waste, and plastic.
HP-4 Wall Wash is 95% recyclable at the end of useful life.

