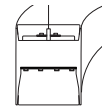
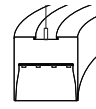


Pendant Mounting and Feed Guide

High Performance 4" Aperture Circle (HP-4 C)


Pendant Direct Pendant Indirect/Direct



FINELITE®
Better Lighting

Customer: _____ Job: _____ PO: _____

SUSPENSION TYPES



Fully Adjustable
1/4 X 20 threaded coupler

50" Standard
89512

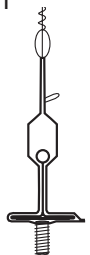


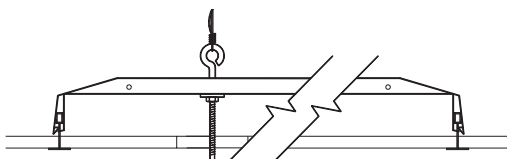

100" Standard
89513

150" Standard
89514





Custom

MOUNTING HARDWARE

See pg. 3 for On-Grid Mounting Guide

<input type="checkbox"/> On-Grid 1" T-Bar Support 94001  C1	<input type="checkbox"/> On-Grid 9/16" T-Bar Support 94020  C2	<input type="checkbox"/> On-Grid 1" Screw Slot T-Bar Support 94029  C3
<input type="checkbox"/> Caddy 512 HD Between T-Bar Supports 89316 	<input type="checkbox"/> 9/16" Screw Slot HD with Extended Stud for Tegular Tile 94029 & 94067 	

POWER FEED

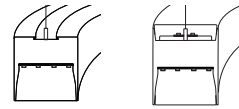
<input type="checkbox"/> Straight 18/5 SJT Cord 96105  1 Circuit + 0-10V Dimming	<input type="checkbox"/> Straight 18/3 SJT Cord 96099  No 0-10V Dimming Control	<input type="checkbox"/> Straight 18/5 SJT Cord 2 Circuit 96105  No 0-10V Dimming Control	<input type="checkbox"/> Cord and Plug 
---	--	--	--

© 2021 FINELITE, INC. ALL RIGHTS RESERVED CPG0102, V2 02/21

Pendant Mounting and Feed Guide

High Performance 4" Aperture Circle (HP-4 C)

Pendant Direct Pendant Indirect/Direct



FINELITE[®]
Better Lighting

Customer: _____ Job: _____ PO: _____

Finelite Standard	<p>Power Connection & Support</p> <p><input type="checkbox"/> Finelite GridBox™ Flex supplied by others.</p> <p>89330</p>	<p>Non-Power Connection & Support</p> <p><input type="checkbox"/> 2" Canopy</p> <p>89331</p>
--------------------------	--	---

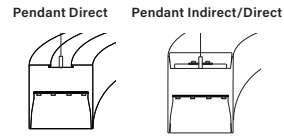
* Supplied with 5" Canopy.

Options	<p><input type="checkbox"/> Dual GridBox™ Connection</p> <p>89332 Flex supplied by others</p>	<p><input type="checkbox"/> GridBox™ Connection Tegular Tile</p> <p>89335</p>	<p><input type="checkbox"/> 3.5" Canopy</p> <p>89333</p>	<p><input type="checkbox"/> 2" Canopy Tegular Tile</p> <p>89200</p>	
	<p><input type="checkbox"/> J-Box Feed Support*</p> <p>89111</p>	<p><input type="checkbox"/> J-Box Support*</p> <p>89210</p>			
Options	<p><input type="checkbox"/> Offset J-Box Surface Mount*</p> <p>↔ up to 24" ↔</p> <p>81113</p>	<p><input type="checkbox"/> Offset J-Box T-Bar Support*</p> <p>89106</p>	<p><input type="checkbox"/> Surface Mount (Standard)</p> <p>89225</p>	<p><input type="checkbox"/> Surface Mount (Optional)</p> <p>89334</p>	
	<p><input type="checkbox"/> Dual Offset J-Box Surface Mount*</p> <p>↔ up to 24" ↔</p> <p>81111</p>	<p><input type="checkbox"/> Dual Offset J-Box T-Bar Support*</p> <p>89107</p>	<p><input type="checkbox"/> Custom Power Connection</p>	<p><input type="checkbox"/> Custom Power Connection</p>	<p><input type="checkbox"/> Custom Non-Power Connection</p>

Hardware compatible with 4" octagonal J-Box. Consult Finelite Customer Service for pricing on all options.

Pendant Mounting and Feed Guide

High Performance 4" Aperture Circle (HP-4 C)

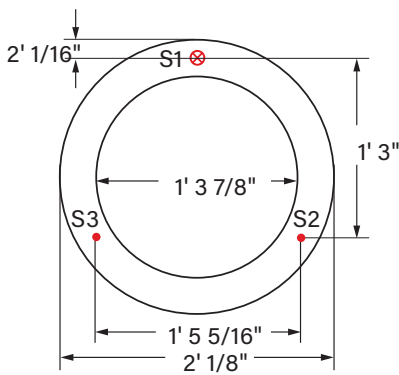


FINELITE®
Better Lighting

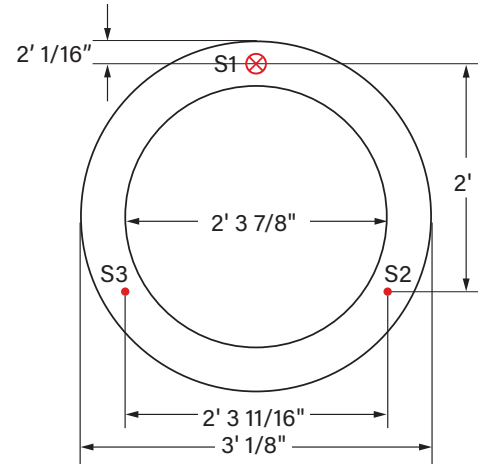
Customer: _____ Job: _____ PO: _____

Sizes (Top View)

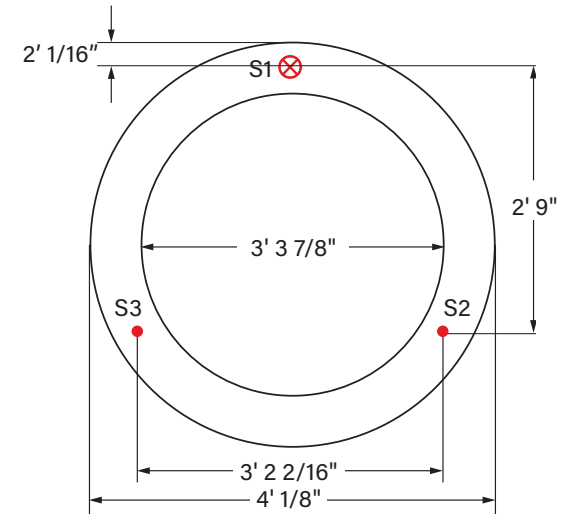
2' Diameter



3' Diameter

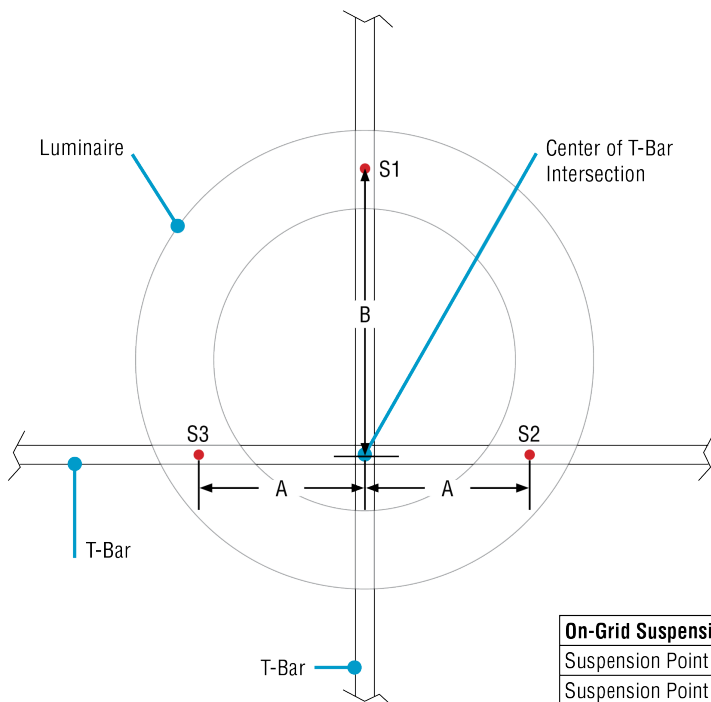


4" Diameter



- ⊗ = Feed Location and suspension Point
- = Suspension Point

On-Grid Mounting Guide (Bottom View)



- = Suspension Point

On-Grid Suspension Location	Label	Nominal Circle Diameter (ft)		
		2	3	4
Suspension Point 1 (S1) Distance	B	15"	24"	33"
Suspension Point 2 & 3 (S2, S3) Distance	A	8-11/16"	13-7/8"	19-1/16"

Measure from Center of T-Bar Intersection to Suspension Points

© 2021 FINELITE, INC. ALL RIGHTS RESERVED CPG0102_V2 02/21