

# HP-2 / HP-4 / HP-6 Surface Mount Installation Instructions

Regressed Luminaires Use Same Instructions

## Overview

### NOTES

- If luminaire contains a sensor or socket refer to the appropriate Addendum.
- All power connections should be installed according to local/national codes by a Certified Electrician.
- This installation requires **proper support** as each luminaire is being installed.
- **DO NOT attempt to join luminaires together on the floor.** Damage may result when lifted.



HELPFUL  
VIDEOS



Louver  
Removal



Effortless  
Access



Socket Removal  
& Installation



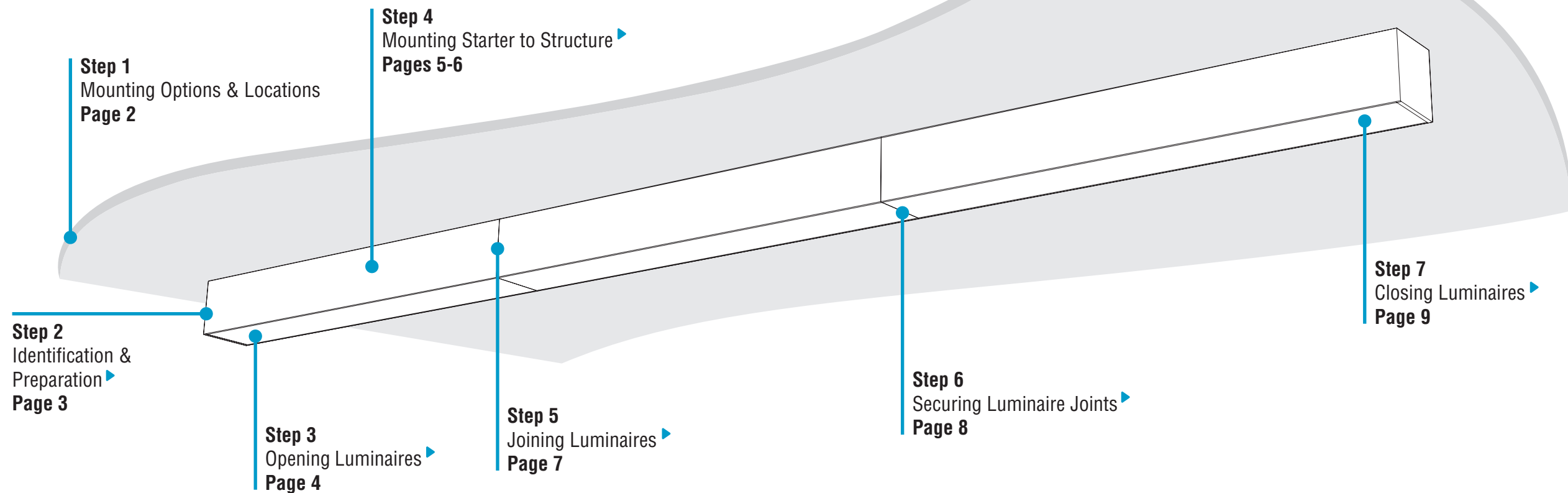
0-10V  
Dimming



Universal &  
Robust Joints



Simple  
Plug-Together  
Wiring



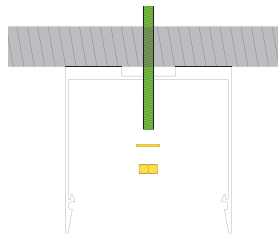
# HP-2 / HP-4 / HP-6 Surface Mount Installation Instructions

## Step 1 - Mounting Options & Locations

### Mounting Options

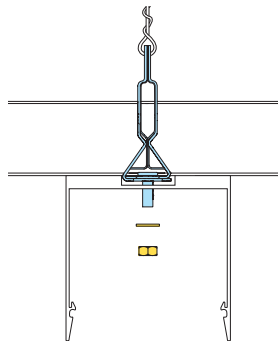
#### Option 1 - Mount to Threaded Rod

- Install threaded rods to structure.
- Threaded rod must exceed distance to wall/ceiling surface by 1-1/2".
- Install electrical junction box and electrical conduit at feed locations.



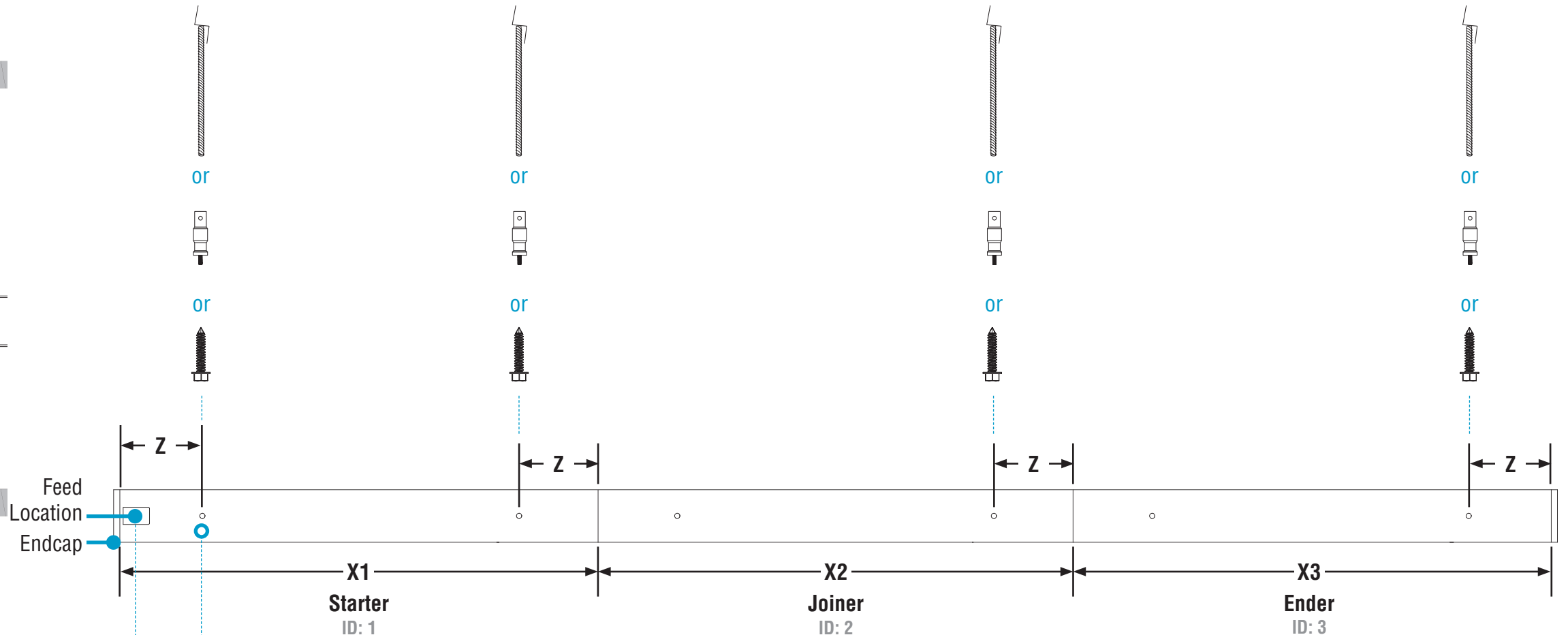
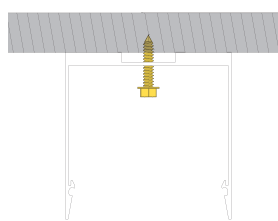
#### Option 2 - Mount to T-Bar

- Install caddy clips onto T-Bar at mounting point locations.
- All caddy clips are to be secured to structure, per local building codes.



#### Option 3 - Mount to Support Structure

- Install electrical junction box and electrical conduit at feed locations.



### Mounting Locations

**X** = Luminaire section length  
(**X** Measurements **do not include** endcaps)

	<b>Z = Mounting Hole Location</b>	<b>V = Feed Location</b>	
		<b>Drywall</b>	<b>T-Bar<sup>1</sup></b>
HP-2	5"	3/4"	5"
HP-4	6"	1-1/8"	
HP-6	6-1/2"	3/4"	

- Luminaire mounting holes sized for 1/4"-20 hardware (by others).
- Refer to Record Drawings and building plans to determine exact mounting, suspension points, and power feed locations.
- **CRITICAL:** Drywall or weak paneling must be secured to support blocking (studs) around wall/ceiling.

<b>Mounting Option 1</b> Threaded Rod (by others) 1/4"-20 Washer (by others) 1/4"-20 Nut (by others)	<b>Mounting Option 2</b> Caddy Clip (provided) 1/4"-20 Washer (by others) 1/4"-20 Nut (by others)	<b>Mounting Option 3</b> 1/4"-20 Lag Bolt (by others)	Flex Conduit (by others)
---	--	--	--------------------------

<sup>1</sup> For surface mount to T-Bar mounting, power feed location (V) will be offset from the middle of the luminaire to accommodate the T-Bar.

# HP-2 / HP-4 / HP-6 Surface Mount Installation Instructions

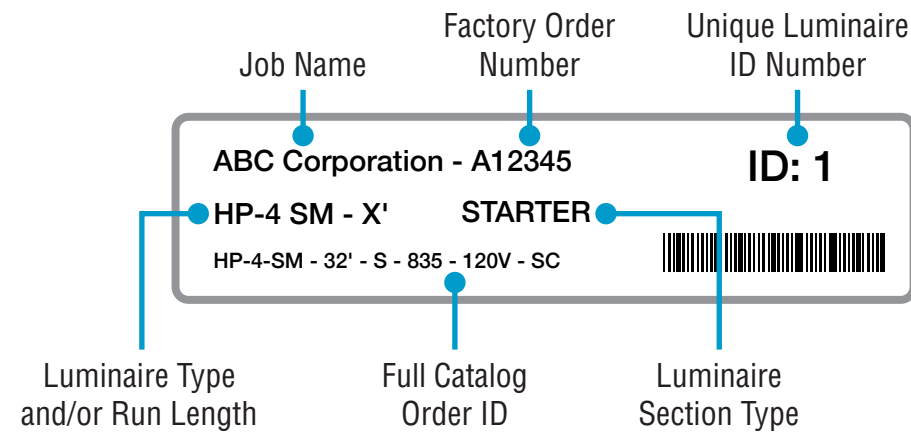
## Step 2 - Identification & Preparation

### A. Identify Luminaires



**CAUTION**

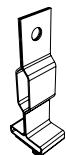
Arrange luminaires in order according to ID# at their install locations.



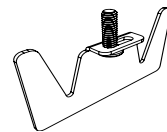
- Identify all luminaires by their ID label that can be found on the box, the diffuser and inside the luminaire.
- **NOTE:** Exact location of labels in these areas may vary.
- Remove all luminaires from their box.
- Refer to Record Drawings that can be found in the hardware kit.

### Kitted Hardware

- Finelite has provided items listed here, with their Finelite part numbers. These items can be found in separate boxes shipped with the luminaire.
- Account for all parts and set aside until they are needed.
- All other hardware needed for this installation will be by others.



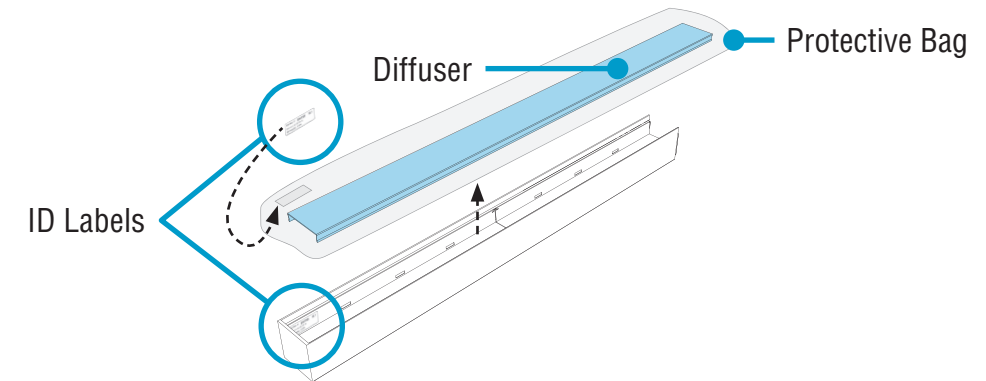
**Caddy Clip**  
C1 Ceiling - Part# 94001  
C2 Ceiling - Part# 94020  
C3 Ceiling - Part# 94029  
Mounting Options & Locations  
p. 2, Step 1



**Yoke Bracket**  
Part# 45042  
**#10-32 x 5/8" Screw**  
Part# 94144  
Securing Luminaire Joints  
p. 8, Step 6

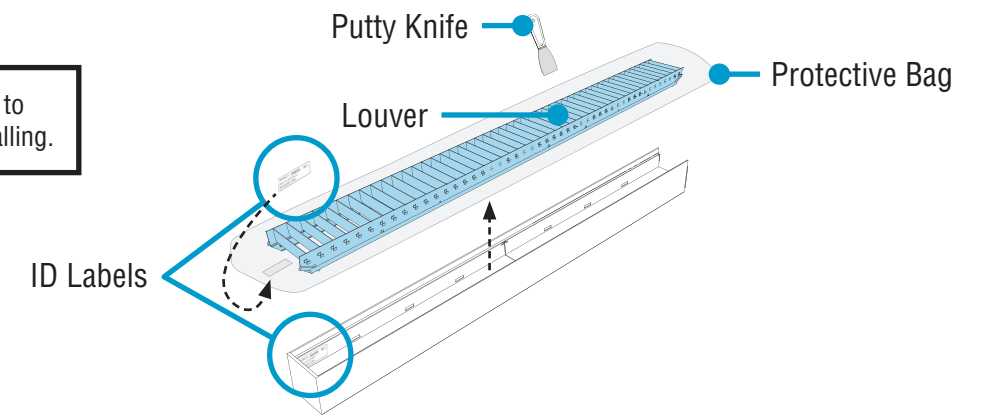
### B. Remove Diffusers or Louvers

Remove Diffusers



Remove Louvers (HP-2 & HP-4 ONLY)

**NOTE:** For White Cross Blade Baffle, refer to Baffle Tether Addendum before installing.



- Carefully remove all diffusers or louvers, keeping them inside their protective bags.
- **FOR LOUVERS:** Release louvers by inserting the blade of a putty knife approximately 1" down behind louver edges and pry up.
- Set aside all diffusers or louvers to prevent from getting dirty or damaged.
- Ensure diffusers or louvers can be clearly identified back to their corresponding luminaire.



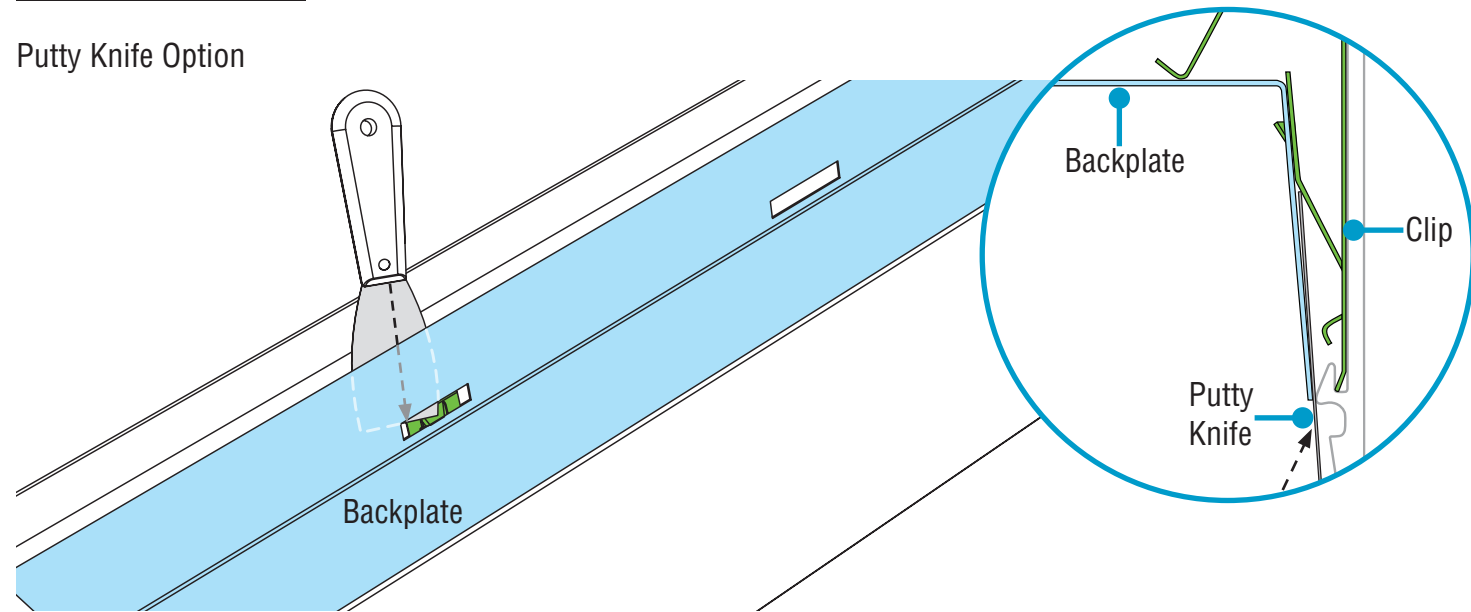
Louver Removal

# HP-2 / HP-4 / HP-6 Surface Mount Installation Instructions

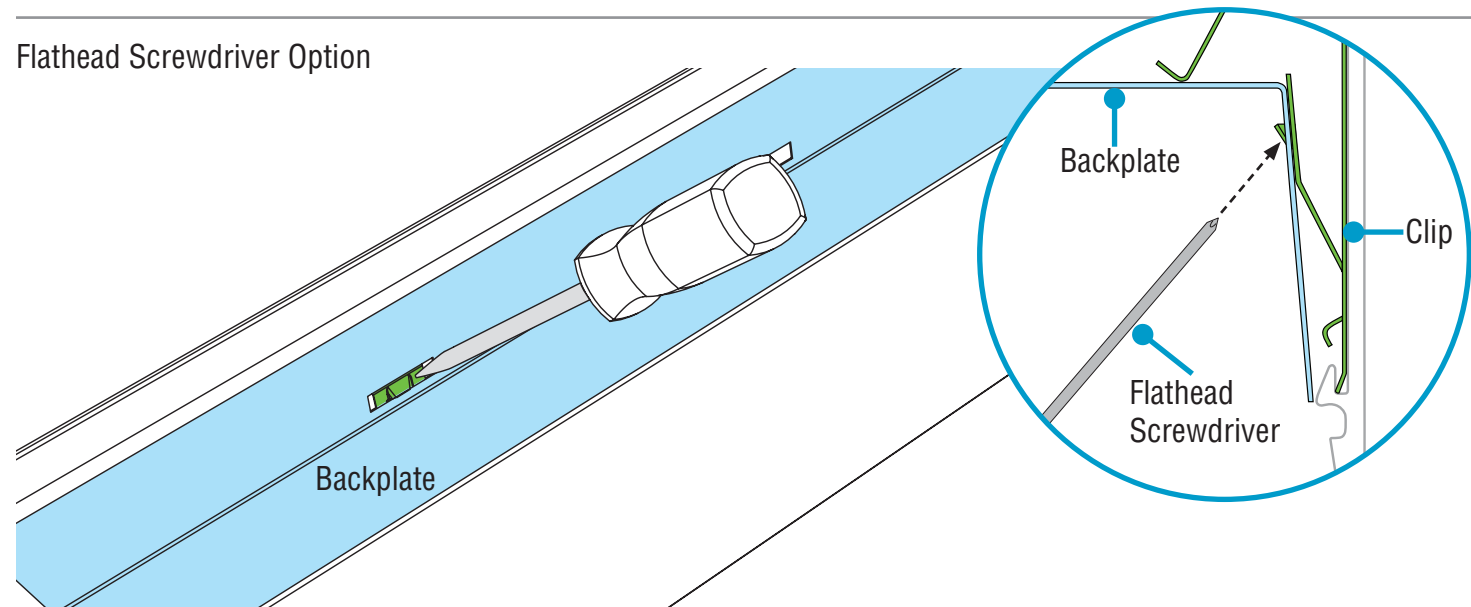
## Step 3 - Opening Luminaires

### Release Backplates

Putty Knife Option

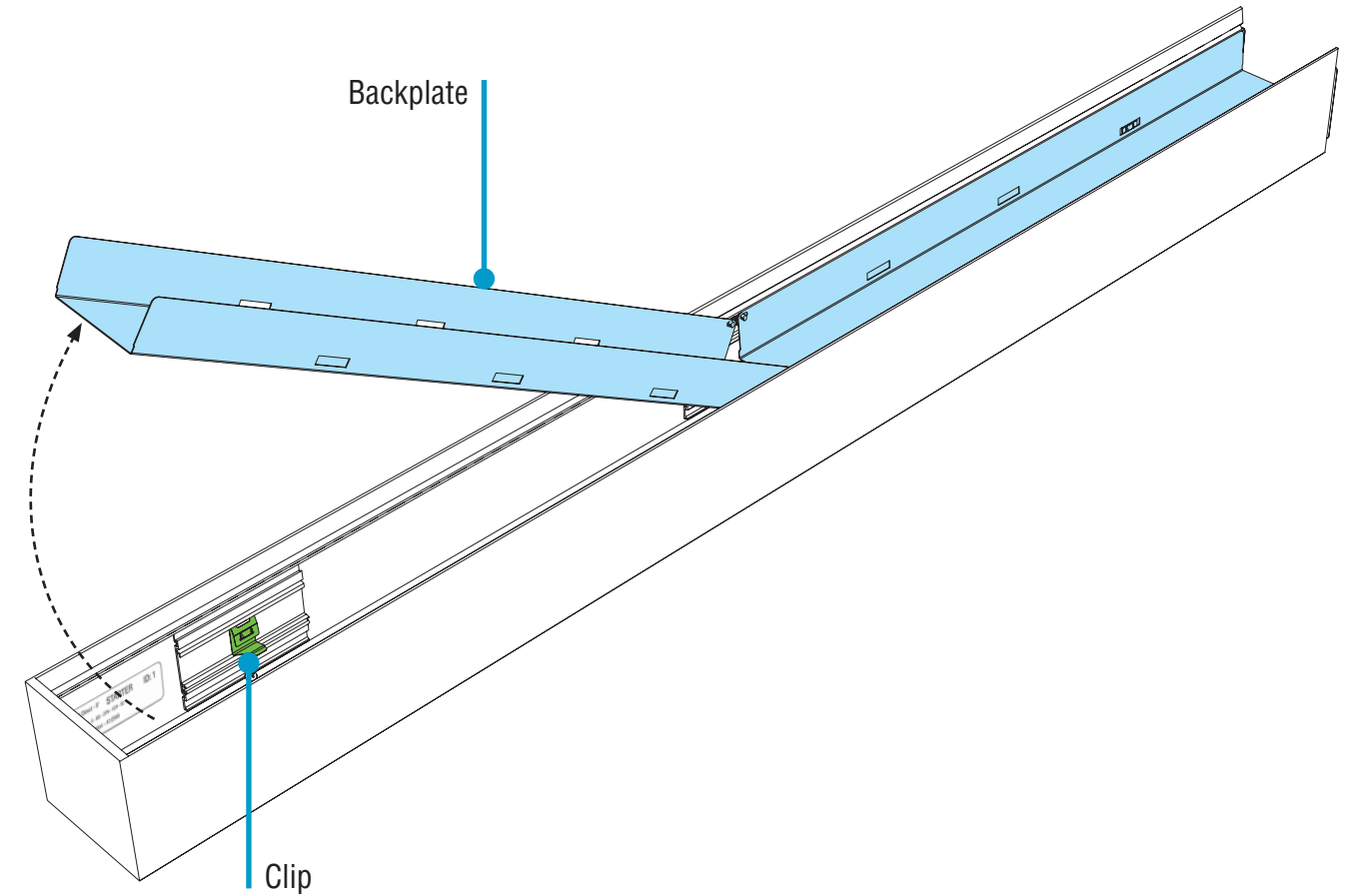


Flathead Screwdriver Option



- Open all backplates for access to mounting points.
- Release the backplates from clips by sliding the blade of a putty knife behind backplate edges.
- To use a flathead screwdriver: From inside backplate, press end of screwdriver against the clip until the backplate is released.

- Carefully rotate backplates out and let them hang from luminaire body.

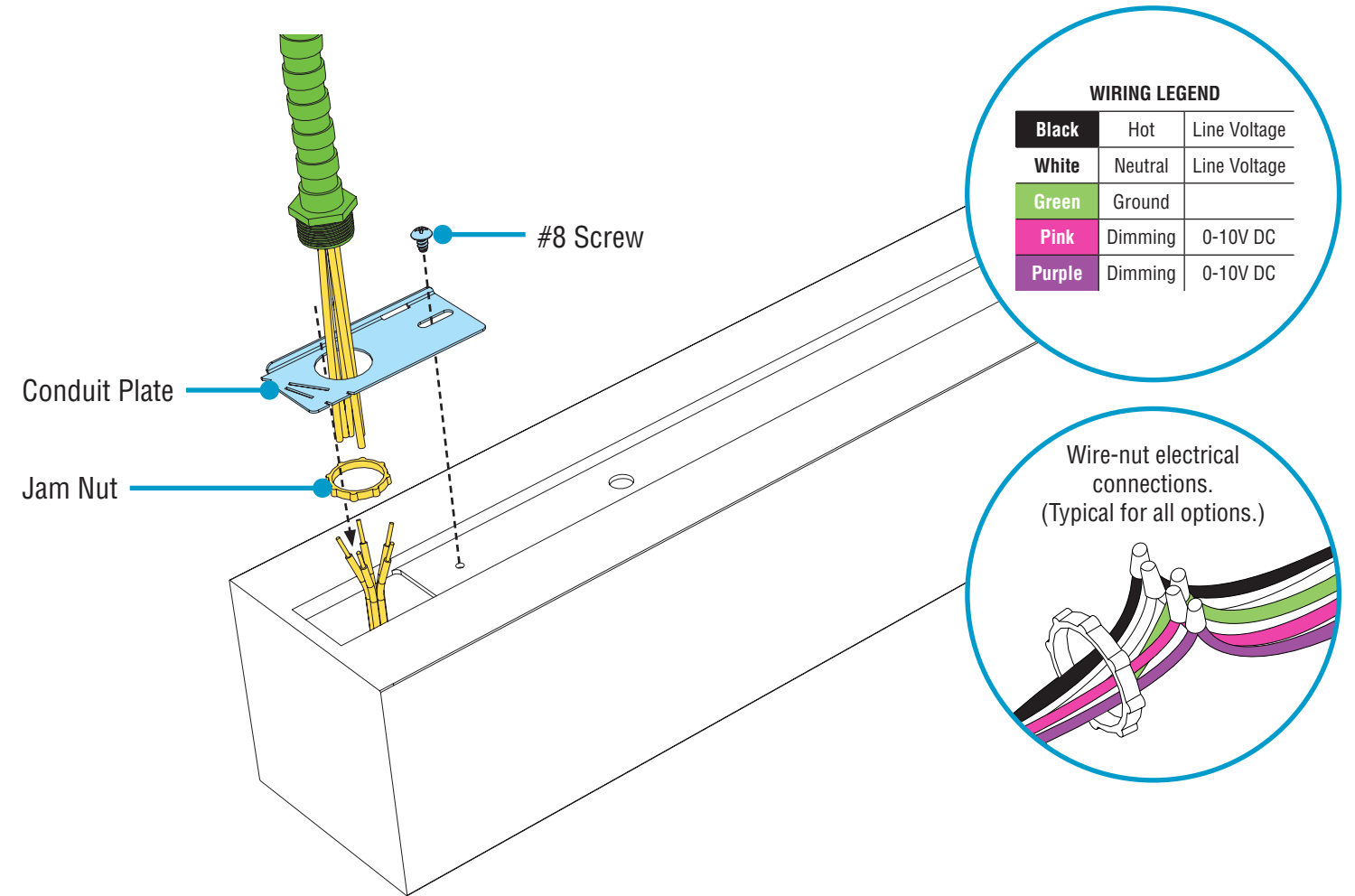
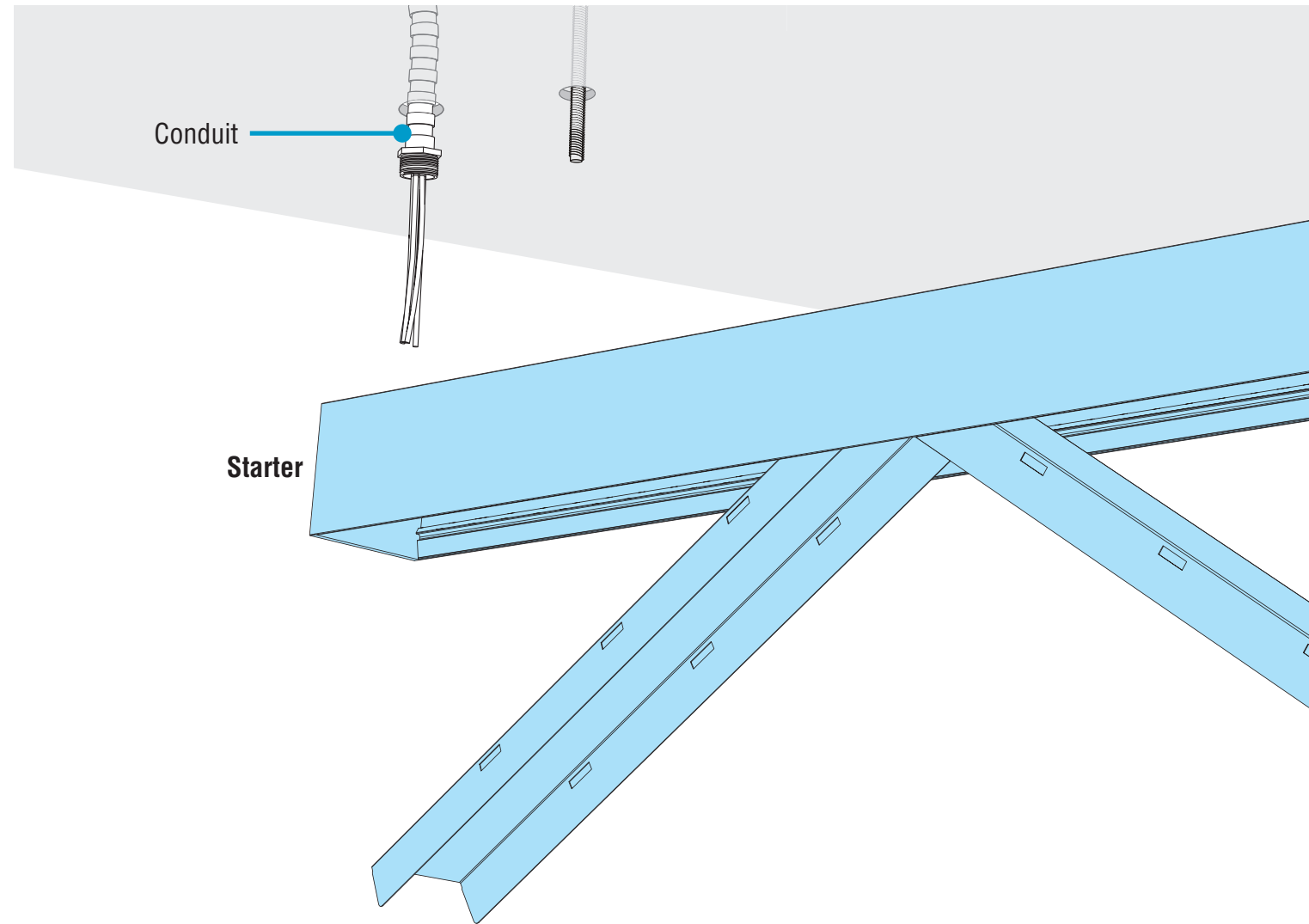


Effortless  
Access

# HP-2 / HP-4 / HP-6 Surface Mount Installation Instructions

## Step 4 - Mounting Starter to Structure

### A. Make Electrical Connections



**WIRING LEGEND**

Black	Hot	Line Voltage
White	Neutral	Line Voltage
Green	Ground	
Pink	Dimming	0-10V DC
Purple	Dimming	0-10V DC

Wire-nut electrical connections.  
(Typical for all options.)



- **FOR SENSOR OR SOCKET:** If luminaire contains a sensor or socket at endcap, refer to page 2 of appropriate Addendum before Mounting Starter to Structure.
- While properly supporting luminaire, maneuver luminaire near wall/ceiling opening.
- Make electrical connections at **TOP** of luminaire.

- Remove screw holding conduit plate.
- Install conduit and nut onto conduit plate.
- Wire-nut electrical connections. See wiring legend above.
- Reinstall conduit plate and screw. Do not damage any wires.

 Flex Conduit  
(by others)

**CONTINUED**



Socket Removal  
& Installation

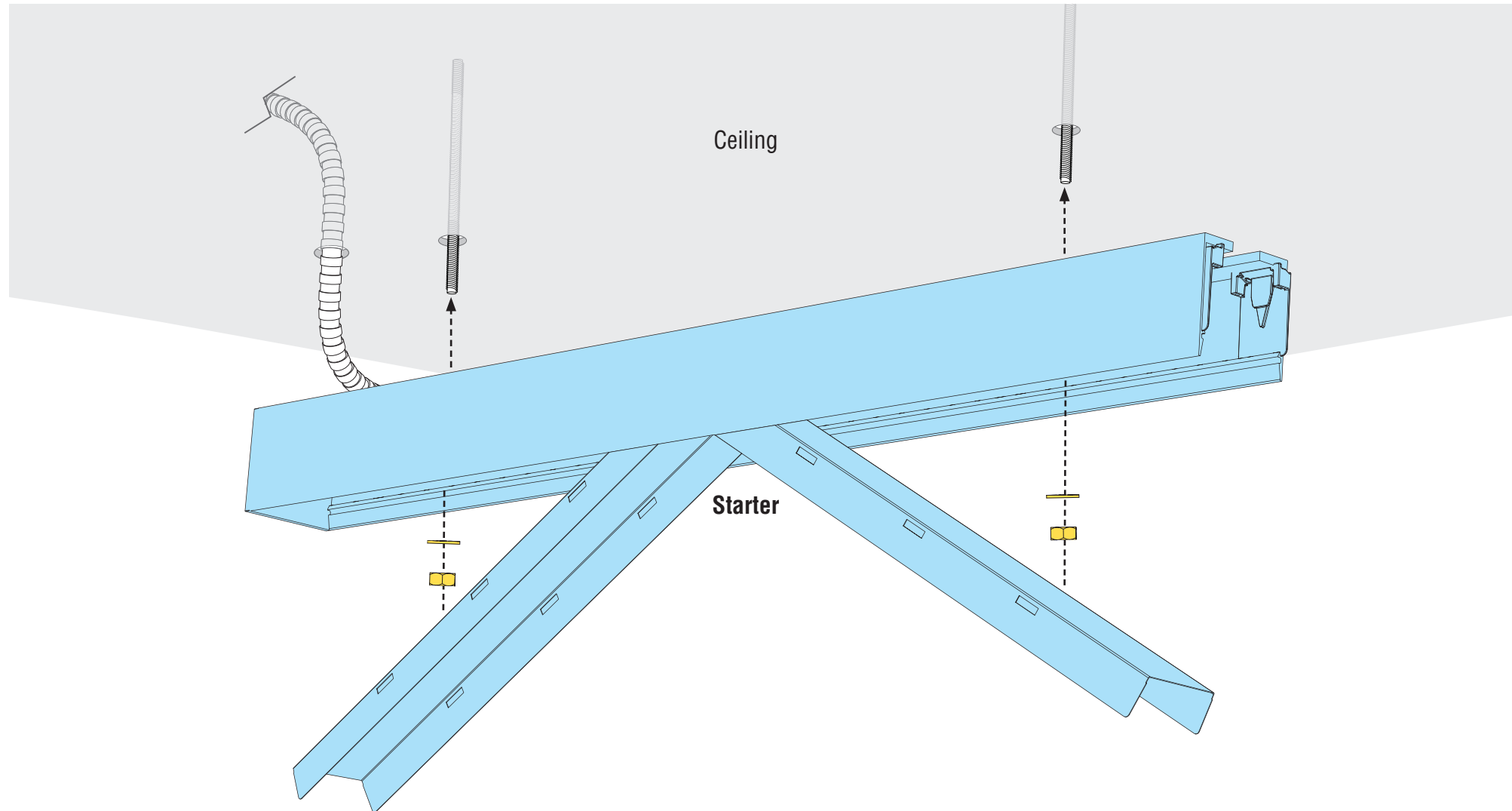


0-10V  
Dimming

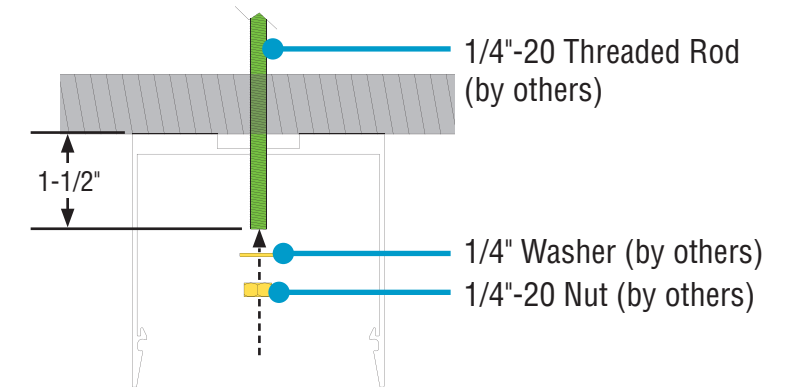
# HP-2 / HP-4 / HP-6 Surface Mount Installation Instructions

## Step 4 - Mounting Starter to Structure

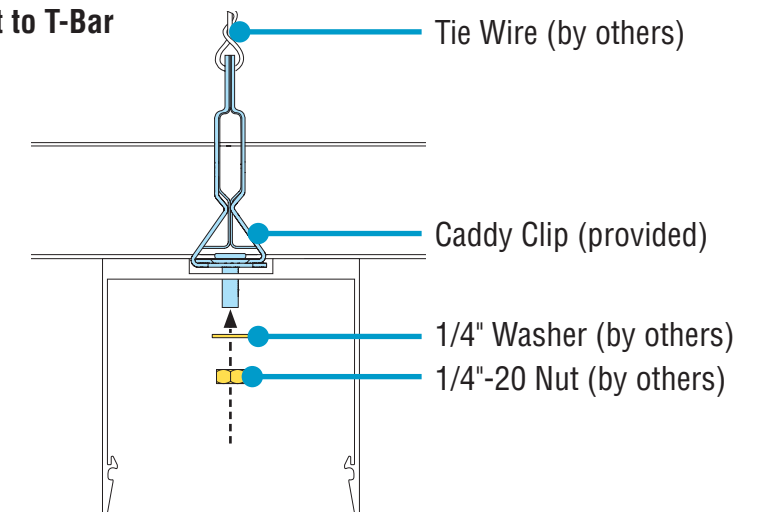
### B. Mount Starter to Structure



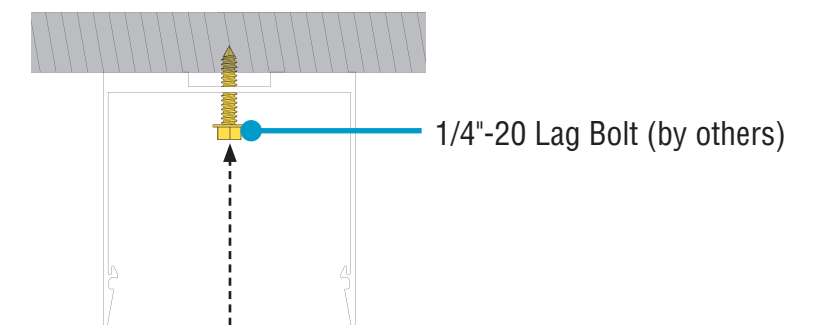
### Option 1 (Shown) - Mount to Threaded Rod



### Option 2 - Mount to T-Bar



### Option 3 - Mount to Structure



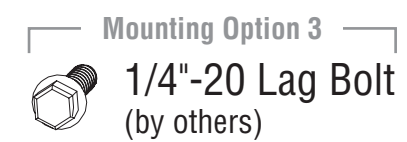
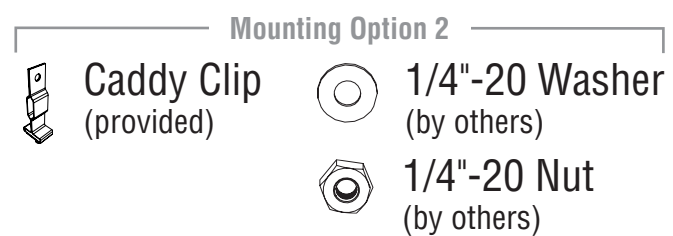
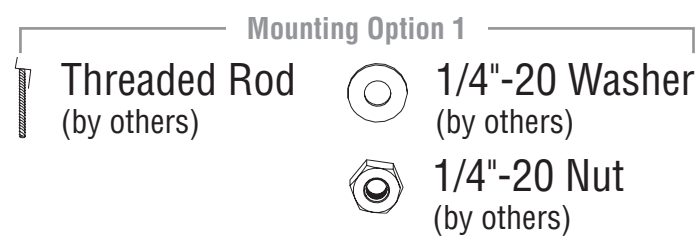
### Option 1 (Shown) - Mount to Threaded Rod

#### Option 2 - Mount to T-Bar

- Align mounting holes with hanging hardware.
- Install 1/4"-20 nut and 1/4"-20 washer onto 1/4"-20 threaded rod.
- **CRITICAL:** If installing a joiner luminaire in the next step, leave nut loose.
- If there is no joiner/ender, then tighten nuts fully. **PROCEED TO STEP 7.**

### Option 3 - Mount to Structure

- Place luminaire onto wall/ceiling and mount to structure support with hardware appropriate for the structure type.
- **CRITICAL:** If installing a joiner luminaire in the next step, leave loose.
- If there is no joiner/ender, then tighten nuts fully. **PROCEED TO STEP 7.**





# HP-2 / HP-4 / HP-6 Surface Mount Installation Instructions

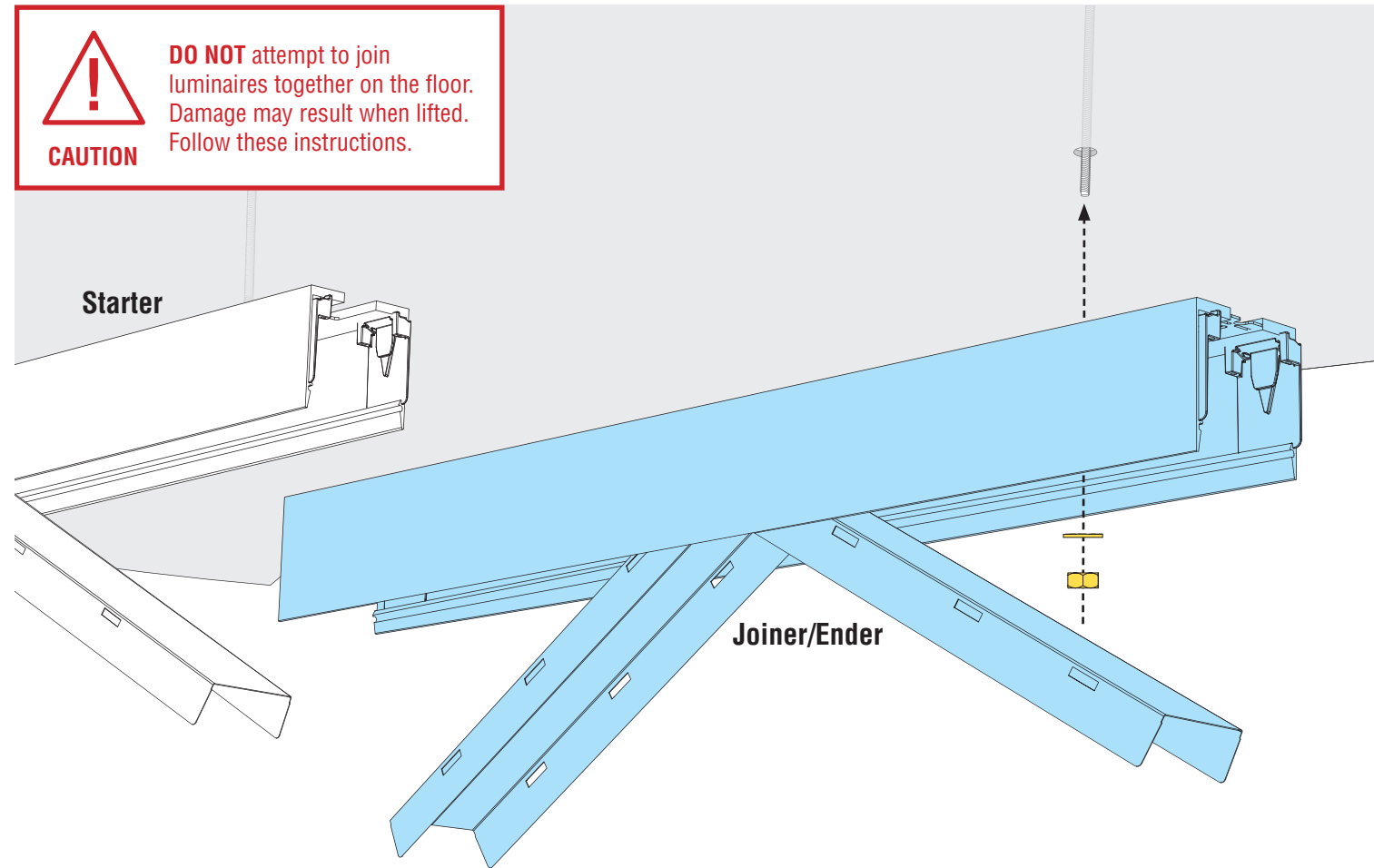
## Step 5 - Joining Luminaires

### A. Mount Joiner/Ender to Structure



**CAUTION**

**DO NOT** attempt to join luminaires together on the floor. Damage may result when lifted. Follow these instructions.



#### Option 1 (Shown) - Mount to Threaded Rod

#### Option 2 - Mount to T-Bar

- **FOR SENSOR OR SOCKET:** If luminaire contains a sensor or socket at joint, refer to page 4 of appropriate Addendum before joining luminaires.
- Align mounting holes with hanging hardware.
- Install 1/4"-20 nut and 1/4"-20 washer onto 1/4"-20 threaded rod.
- **NOTE:** If installing a joiner luminaire, leave nut loose, allowing luminaire to hang at an angle.
- If there is no joiner/ender, then tighten nuts fully.

#### Option 3 - Mount to Structure

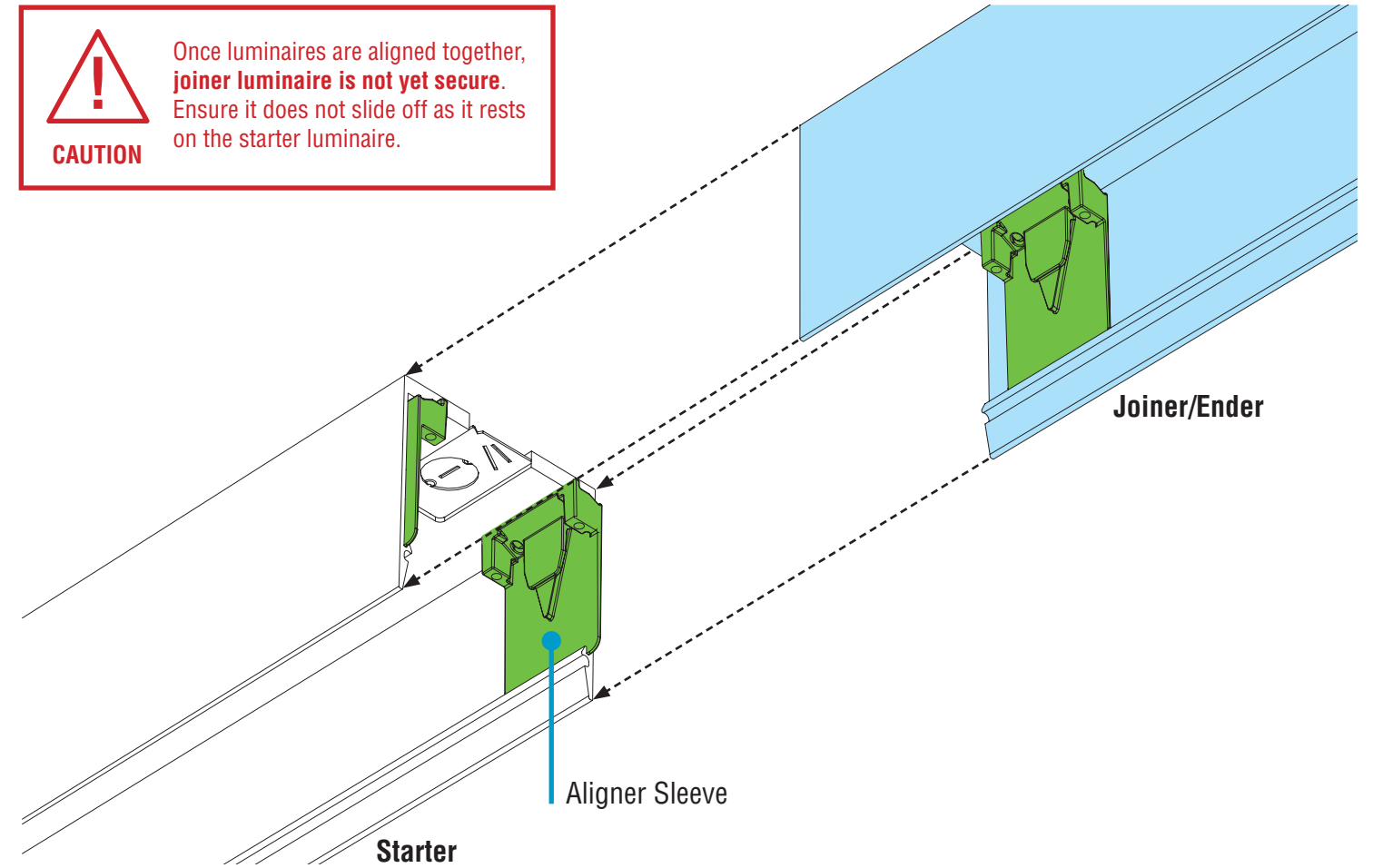
- **FOR SENSOR OR SOCKET:** If luminaire contains a sensor or socket at joint, refer to page 4 of appropriate Addendum before joining luminaires.
- Mount to structure support with hardware appropriate for the structure type.
- **NOTE:** If installing a joiner luminaire, leave nut loose, allowing luminaire to hang at an angle.
- If there is no joiner/ender, then tighten nuts fully.

### B. Join Luminaires



**CAUTION**

Once luminaires are aligned together, **joiner luminaire is not yet secure.** Ensure it does not slide off as it rests on the starter luminaire.



- Align joiner/ender with aligner sleeves on starter and slide together. Be careful not to damage any wiring.
- If necessary, **lift** both luminaires, then slide them together.

#### Mounting Option 1

- Threaded Rod (by others)
- 1/4"-20 Washer (by others)
- 1/4"-20 Nut (by others)

#### Mounting Option 2

- Caddy Clip (provided)
- 1/4"-20 Washer (by others)
- 1/4"-20 Nut (by others)

#### Mounting Option 3

- 1/4"-20 Lag Bolt (by others)

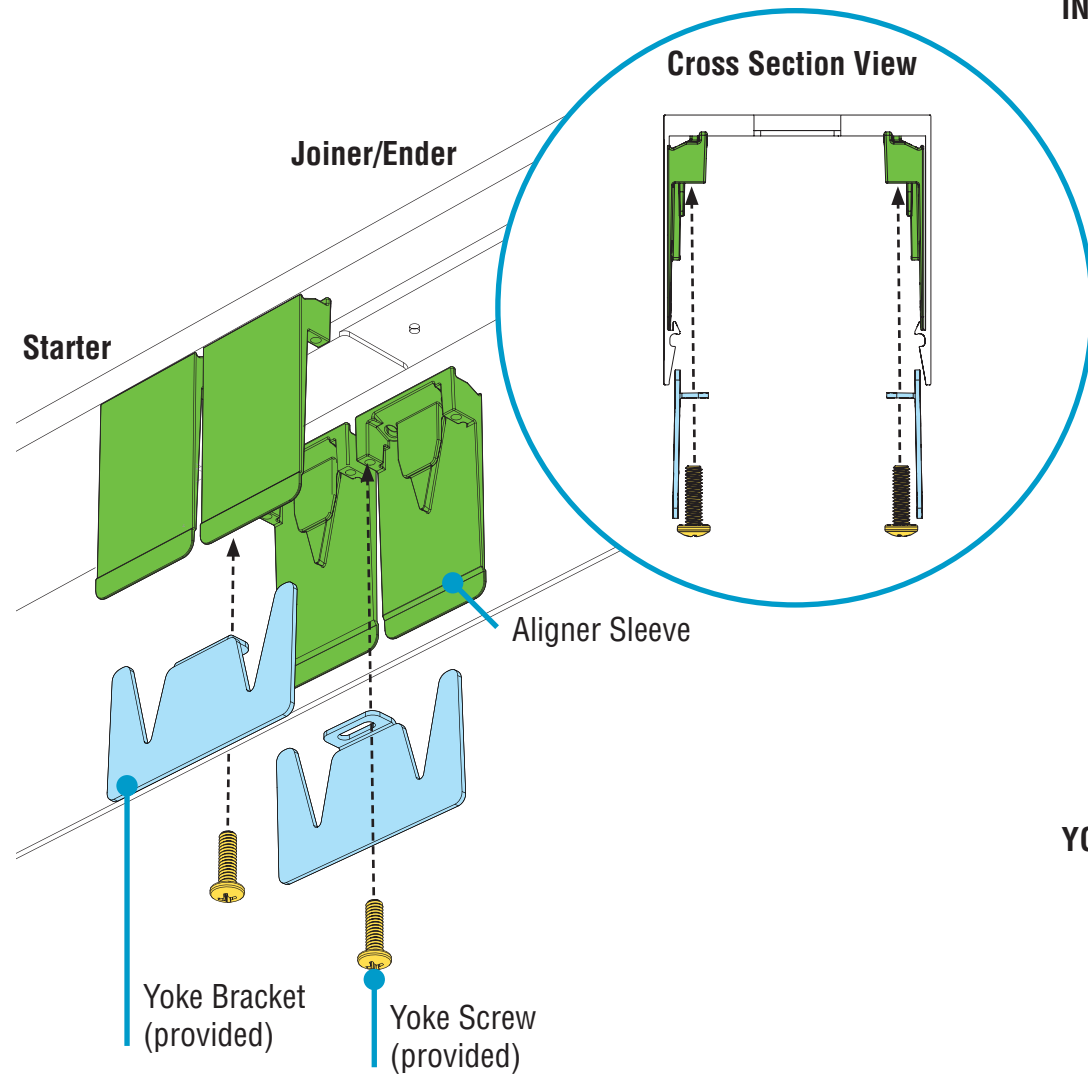


Socket Removal & Installation

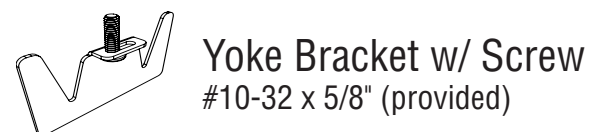
# HP-2 / HP-4 / HP-6 Surface Mount Installation Instructions

## Step 6 - Securing Luminaire Joints

### A. Secure Joint with Yoke Brackets

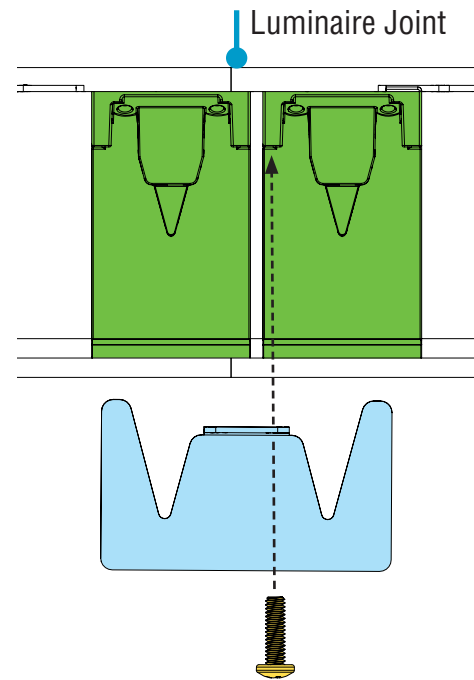


- Before installing yoke brackets, ensure the joining ends of luminaires meet flush and square.
- **CRITICAL:** Ensure yoke brackets properly engage with aligner sleeves.
- Secure joint by threading (but not yet tightening) yoke screws through yoke brackets and into the aligner sleeves.
- Tighten yoke screws<sup>1</sup> until joint seam of luminaires is closed.

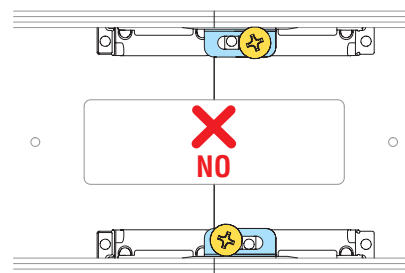


<sup>1</sup> Screwdriver with 6" bit required.

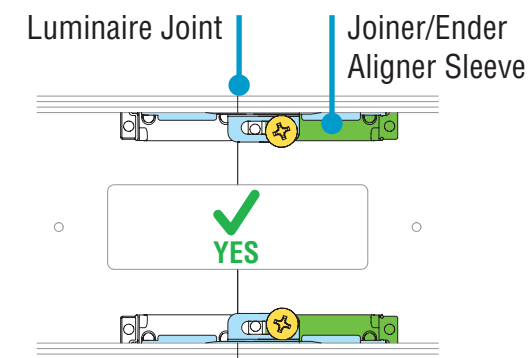
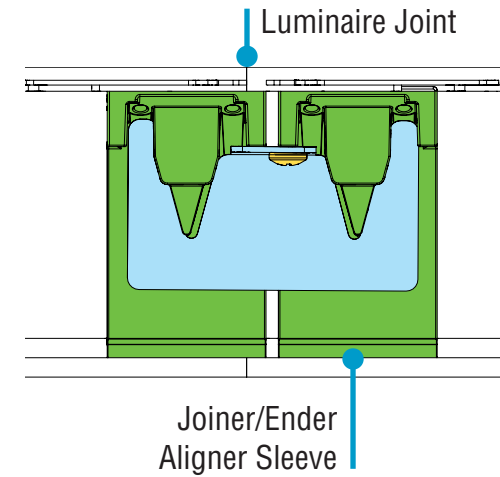
### IN ALIGNMENT



### YOKE SCREW ALIGNMENT Bottom-Up View

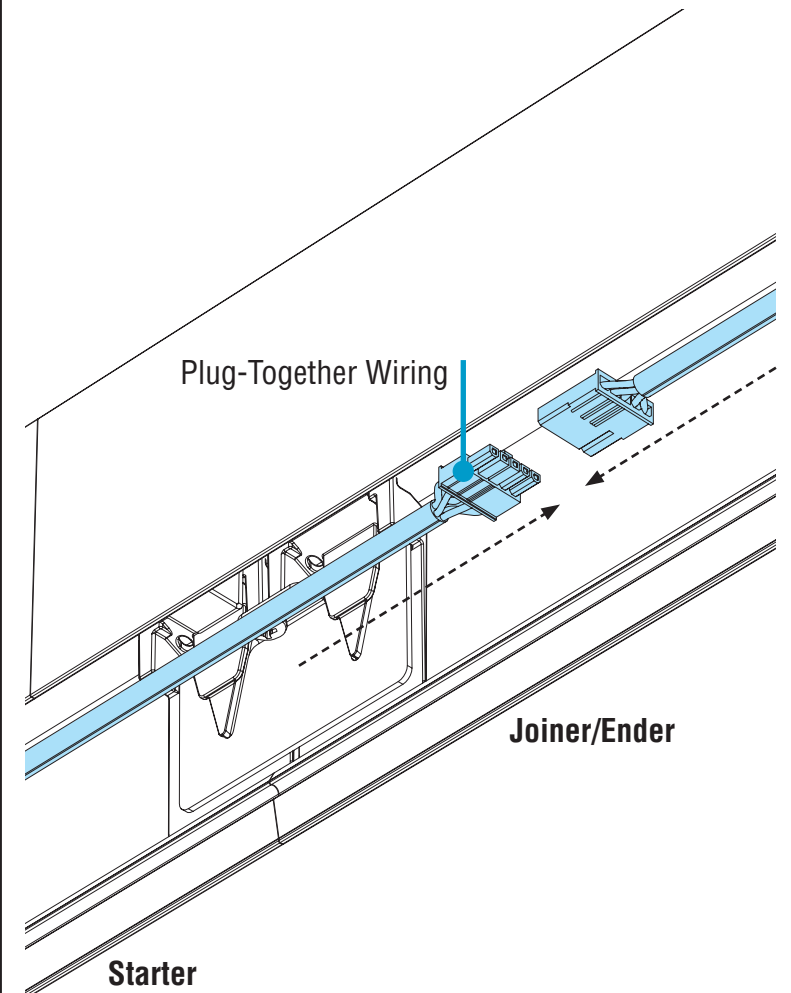


### CORRECTLY INSTALLED



**NOTE:** Yoke screws should be installed directly across from each other, not diagonally, and in holes furthest from the joint line. One yoke screw per one yoke bracket.

### B. Make Electrical Connections



- Connect plug-together wiring.



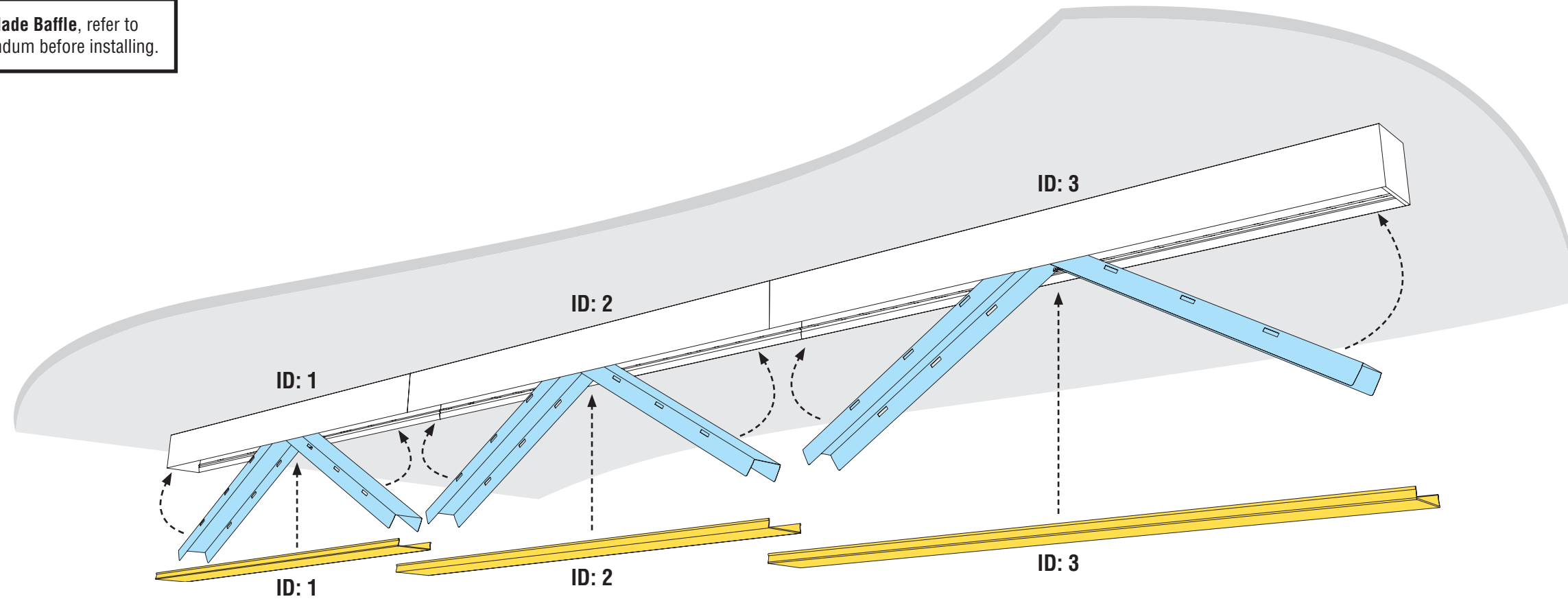


# HP-2 / HP-4 / HP-6 Surface Mount Installation Instructions

## Step 7 - Closing Luminaires

**Final Step - Replace Backplates & Diffusers or Louvers**

**NOTE:** For White Cross Blade Baffle, refer to Baffle Tether Addendum before installing.



- **NOTE:** If your installation includes a battery backup, please see addendum (98333) that should be included with your kitting package.
- **FOR SENSOR OR SOCKET:** If luminaire contains a sensor or socket at endcap, refer to page 3 of appropriate Addendum.  
If luminaire contains a sensor or socket at joint, refer to page 5 of appropriate Addendum.
- Reinstall any open backplates by rotating into luminaire body and snapping back into clips.
- Remove diffusers or louvers from protective plastic bag.
- **CAUTION:** Wear gloves to keep diffuser or louver surface clean.
- **CRITICAL:** Be sure to install correct diffuser or louver to its corresponding luminaire ID.
- **NOTE:** For White Cross Blade Baffle, refer to Baffle Tether Addendum before installing.
- Install diffusers or louvers into luminaire body, ensuring they snap into place.
- Turn power on to luminaire.



Socket Removal  
& Installation