

HP-2 / HP-4 / HP-6 T-Bar to Wall Inside Corner Installation Instructions

Regressed Luminaires Use Same Instructions

Overview

NOTES

- If luminaire contains a sensor or socket refer to the appropriate Addendum.
- All power connections should be installed according to local/national codes by a Certified Electrician.
- This installation requires **proper support** as each luminaire is being installed.
- **DO NOT attempt to join luminaires together on the floor.** Damage may result when lifted.



HELPFUL
VIDEOS



0-10V
Dimming



Effortless
Access



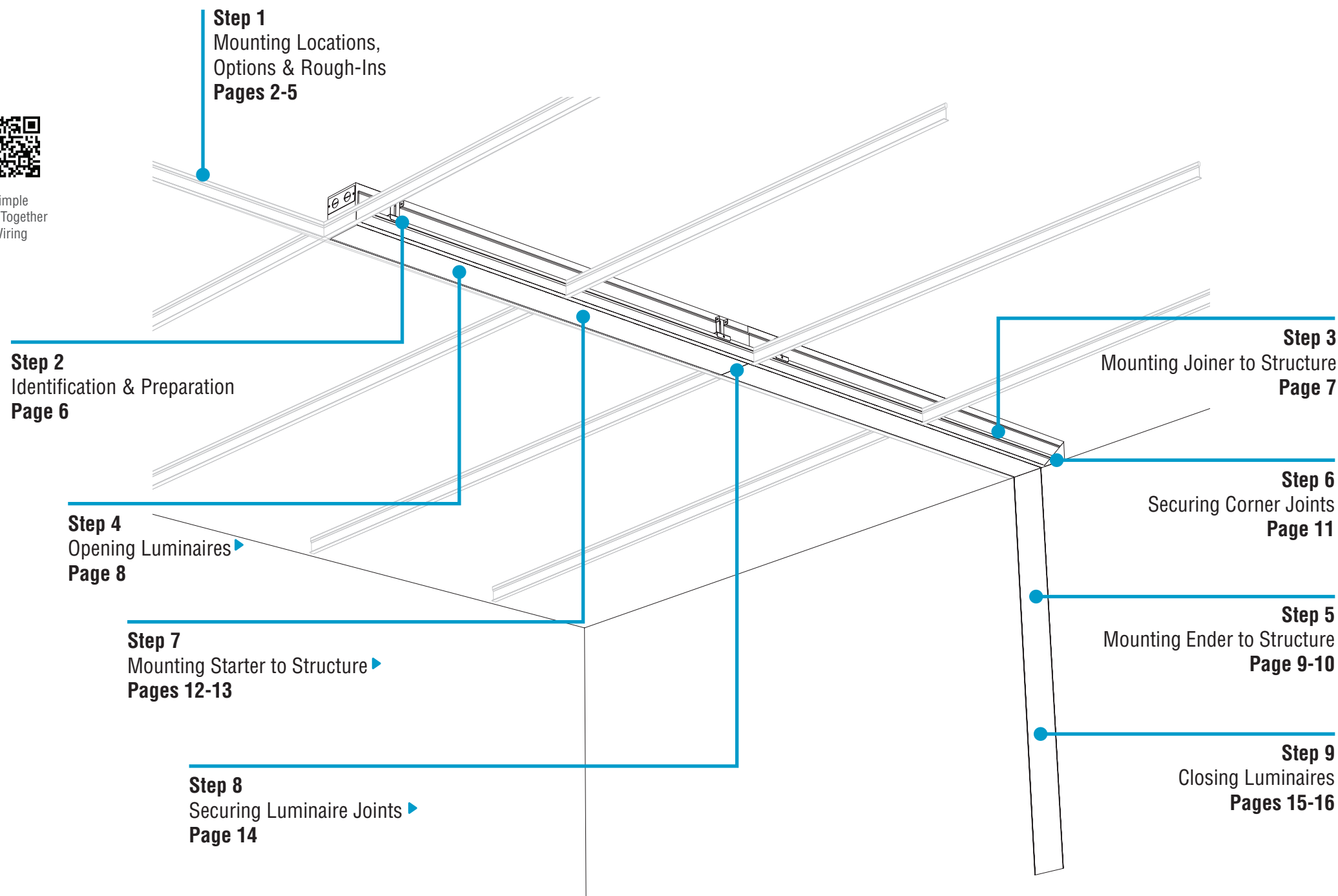
Socket Removal
& Installation



Universal &
Robust Joints



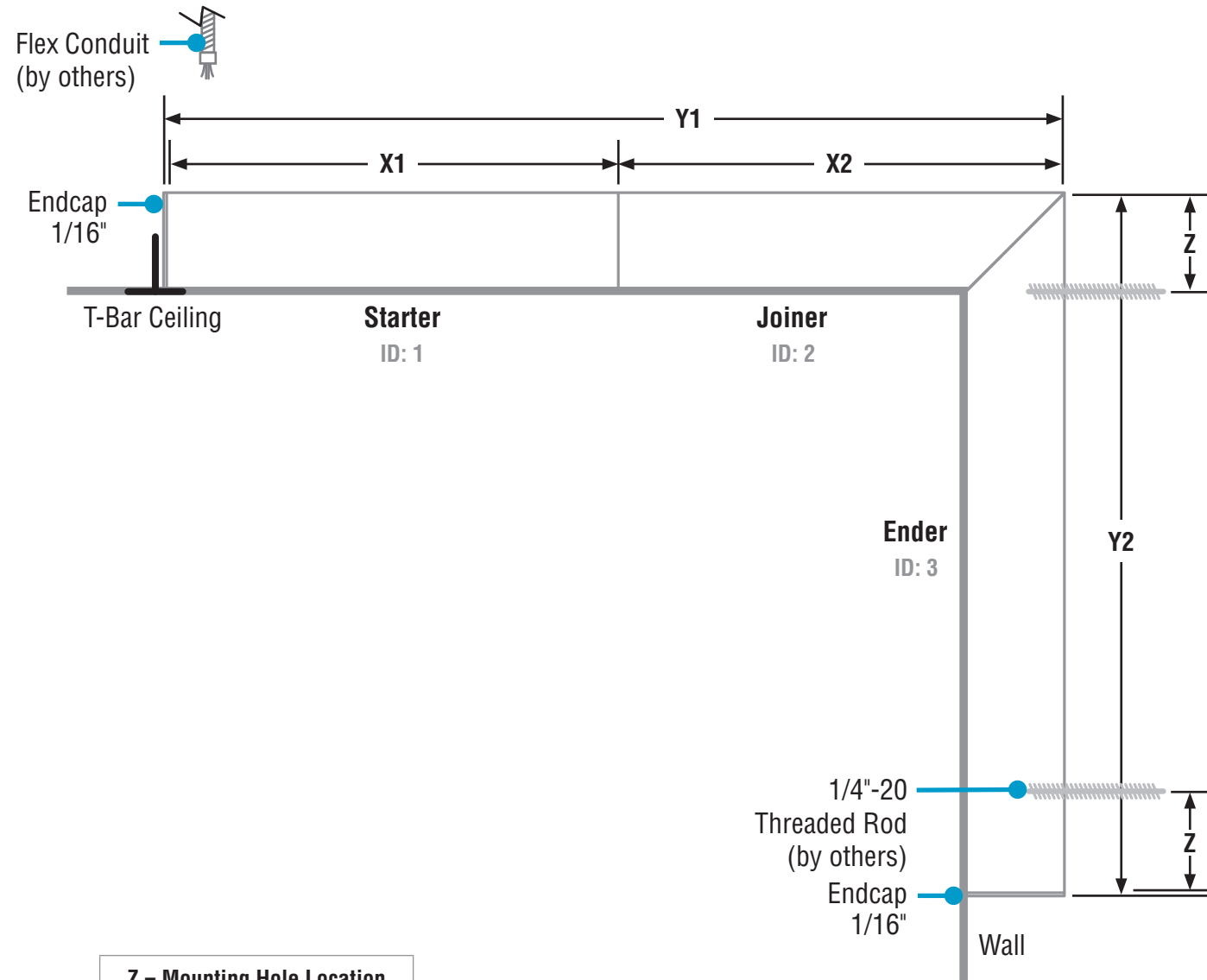
Simple
Plug-Together
Wiring



HP-2 / HP-4 / HP-6 T-Bar to Wall Inside Corner Installation Instructions

Step 1 - Mounting Locations, Options & Rough-Ins

Mounting Holes Location

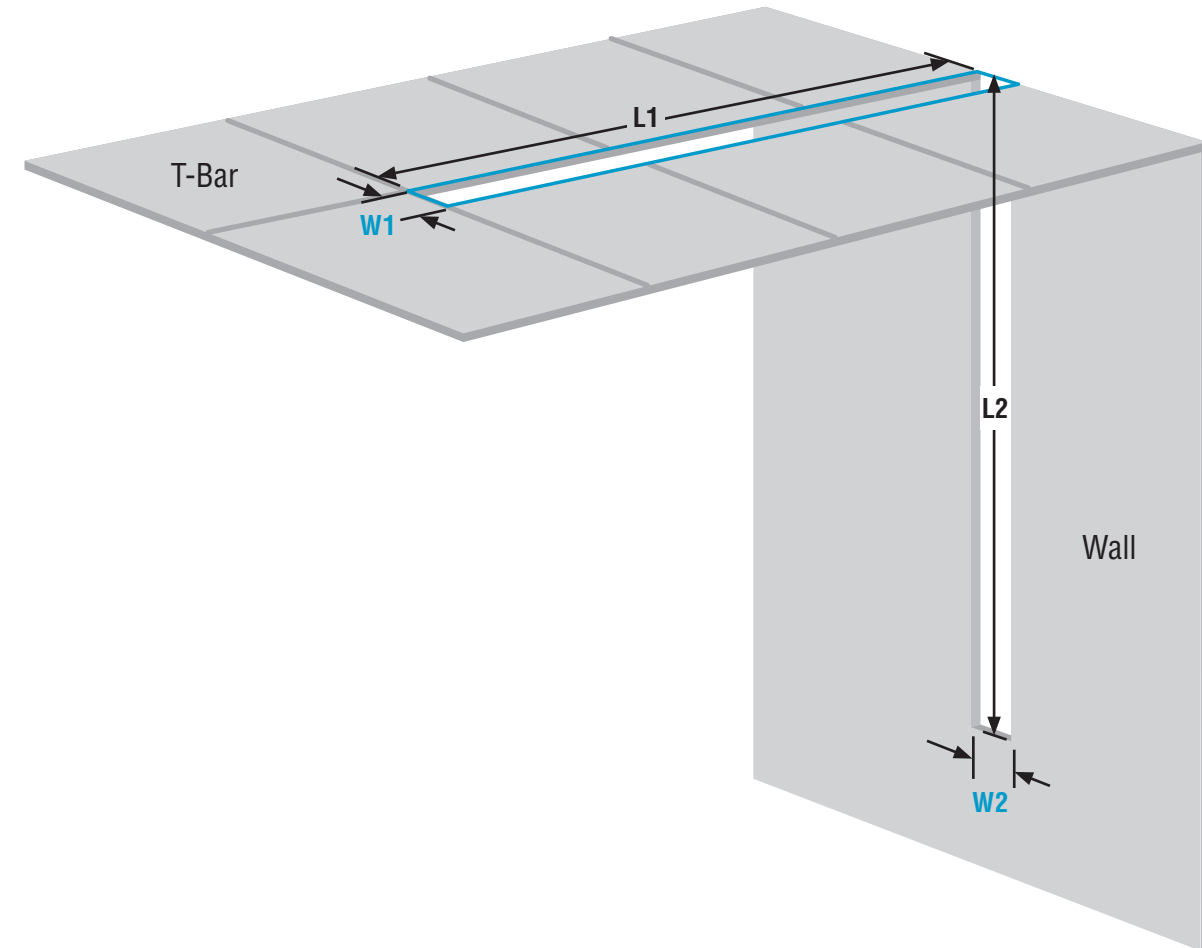


	Z = Mounting Hole Location (Does not include endcaps)
HP-2	5"
HP-4	6"
HP-6	6-1/2"

- X** = Luminaire section length (**Does not include** endcaps)
- Y1** = Total run length of luminaire, depending on your build (**Includes** 1/16" for endcap)
- Y2** = Total run length of luminaire, depending on your build (**Includes** 1/16" for endcap)
- Z** = Mounting Hole Location
- Endcap** = 1/16"

Refer to Record Drawings and building plans to determine exact mounting, suspension points, and power feed locations.

Rough-In Dimensions



T-Bar Run Length

Recessed T-Bar Ceiling	L1 = Total Run T-Bar Length*
HP-2, HP-4, & HP-6	Y1 - 3-7/16"

Regressed T-Bar Ceiling	L1 = Total Run T-Bar Length*
HP-2, HP-4, & HP-6	Y1 - 4-7/16"

W1 = T-Bar Width (refer to page 3 for width)
Center-to-center of T-Bar. Tolerance: +/- 1/16".

Construct T-Bar ceiling for luminaire placement based on Length and Width dimensions per diagram.

Wall Run Rough-In Length

Recessed Drywall	L2 = Total Run Rough-In Length*	
	Spackle Flange	Visible Flange
HP-2, HP-4, & HP-6	Y2 - 3-9/16"	Y2 - 3-11/16"

Regressed Drywall	L2 = Total Run Rough-In Length*	
	Spackle Flange	Visible Flange
HP-2, HP-4, & HP-6	Y2 - 4-9/16"	Y2 - 4-11/16"

W2 = Drywall Width (refer to page 4 for width)
Center-to-center of T-Bar. Tolerance: +/- 1/16".

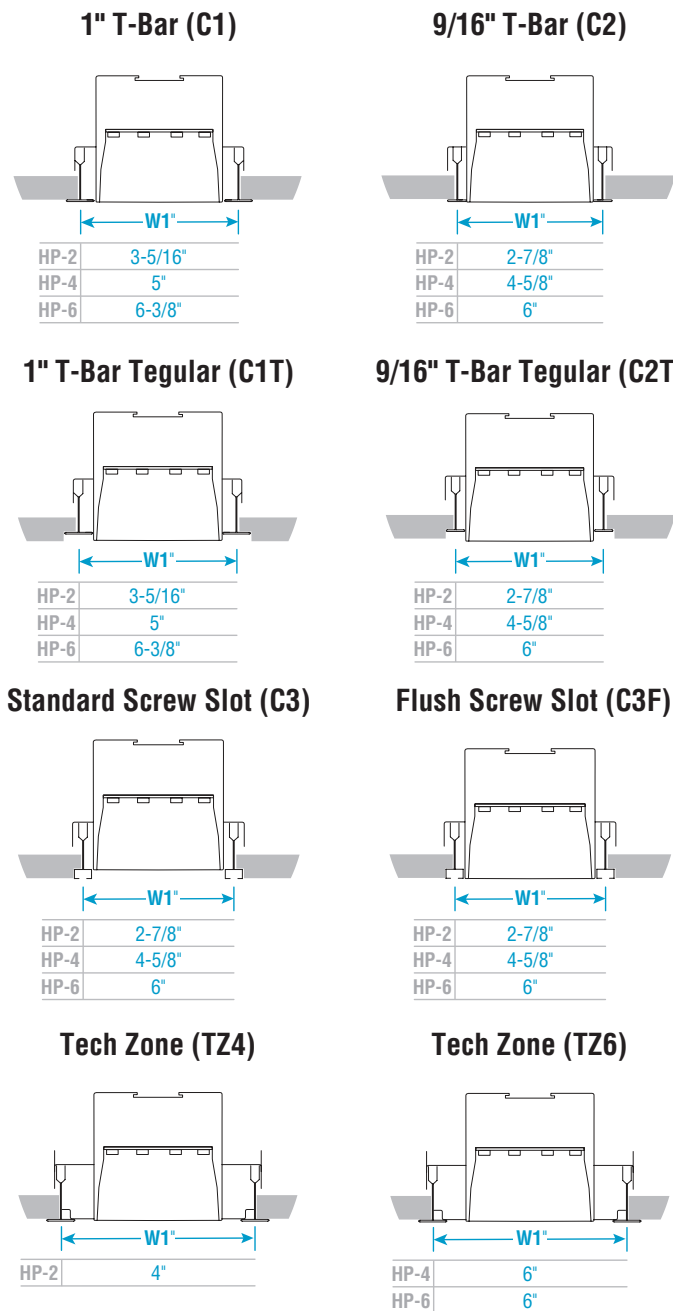
* Tolerance: VF: +/- 1/16", SF: +/- 3/16"

HP-2 / HP-4 / HP-6 T-Bar to Wall Inside Corner Installation Instructions

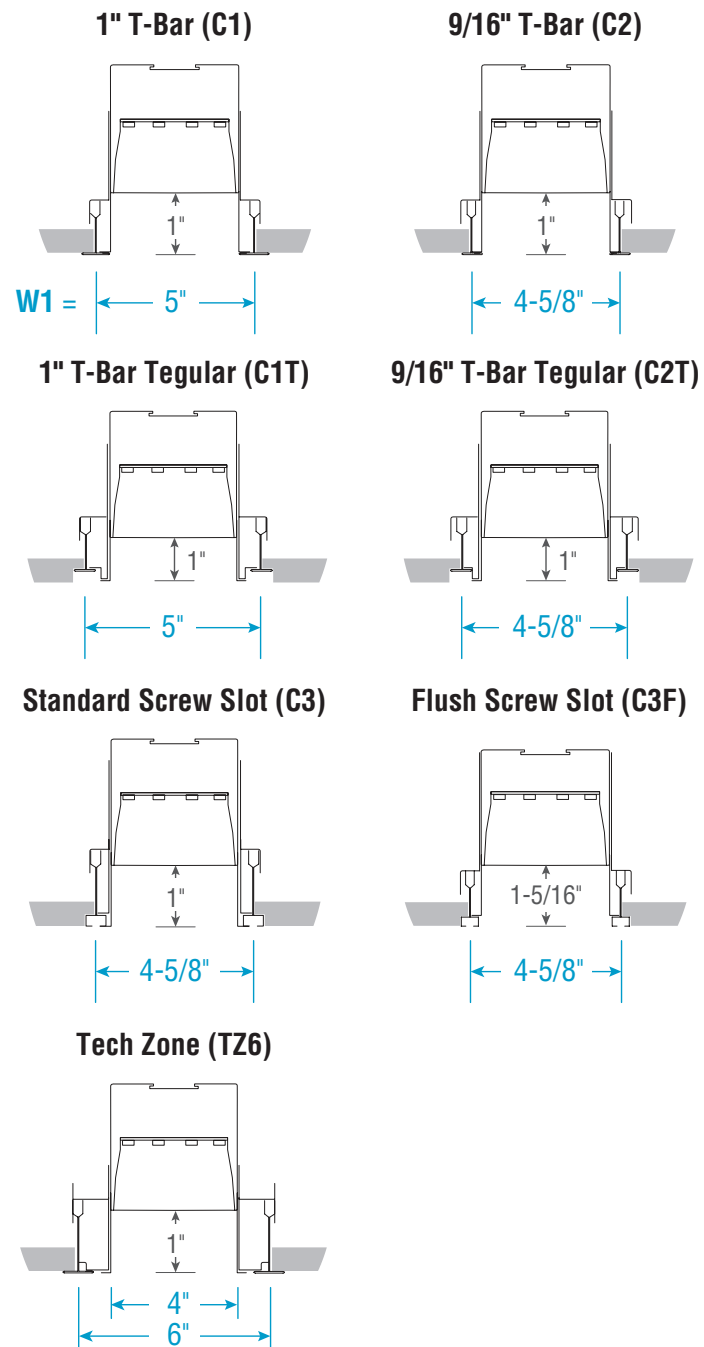
Step 1 - Mounting Locations, Options & Rough-Ins

T-Bar Mounting Types and Widths Center-to-Center of T-Bar

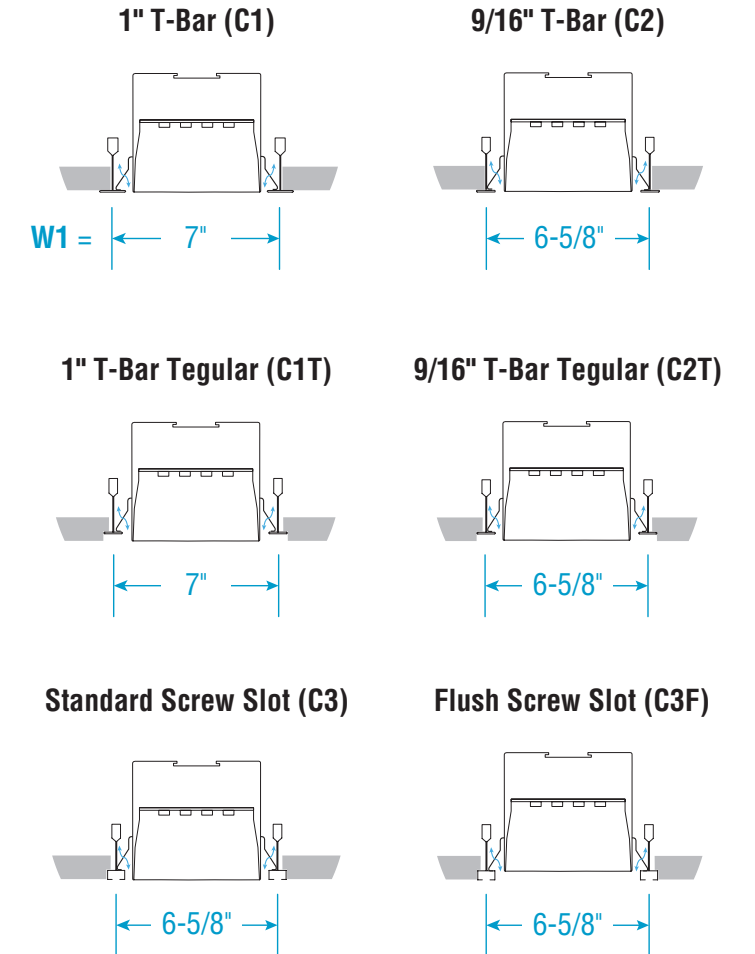
RECESSED - HP-2, HP-4, HP-6



REGRESSED - HP-4 ONLY



AIR RETURN - HP-6 ONLY



- **NOTE:** Only for standard 2x4 or 2x2 T-Bar ceiling, the starter luminaire is purposefully short by 1" to ensure fit in T-Bar types, shown above.
- The luminaire endcaps and end flanges cover any gaps to ensure smooth flush appearance at the ends.

W1 = T-Bar Width (Tolerance: +/- 1/16")

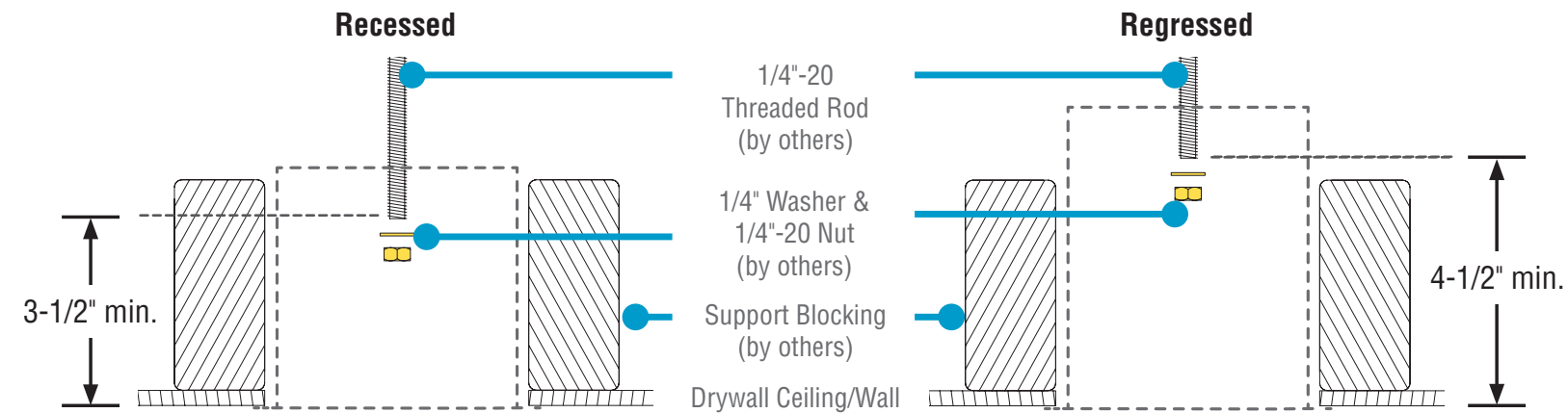
CONTINUED

HP-2 / HP-4 / HP-6 T-Bar to Wall Inside Corner Installation Instructions

Step 1 - Mounting Locations, Options & Rough-Ins

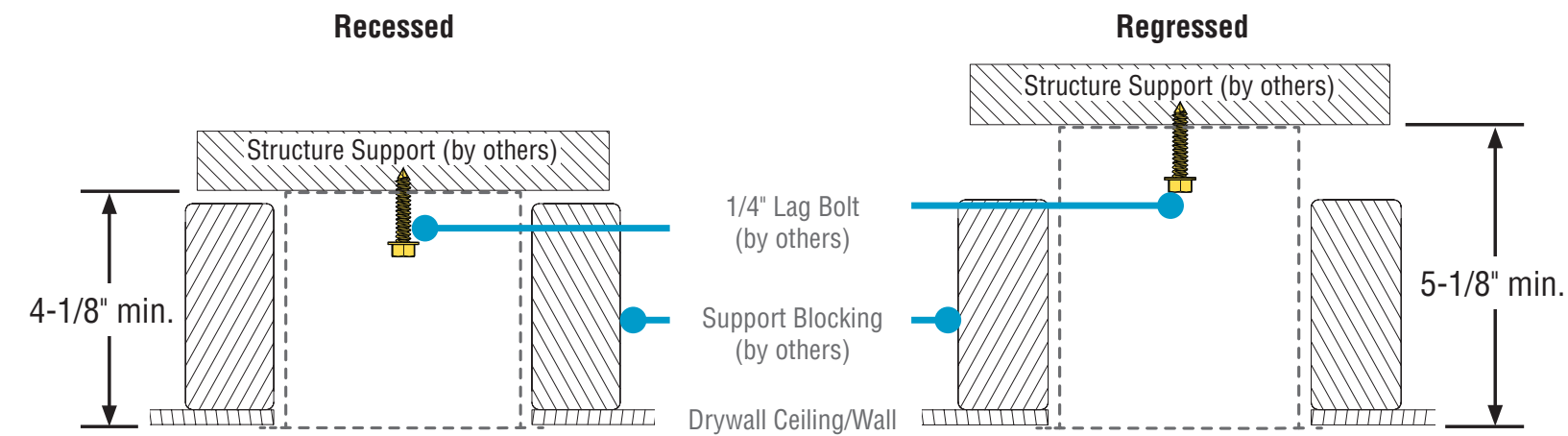
Drywall Mounting Options

Option 1 - Mount to Threaded Rod



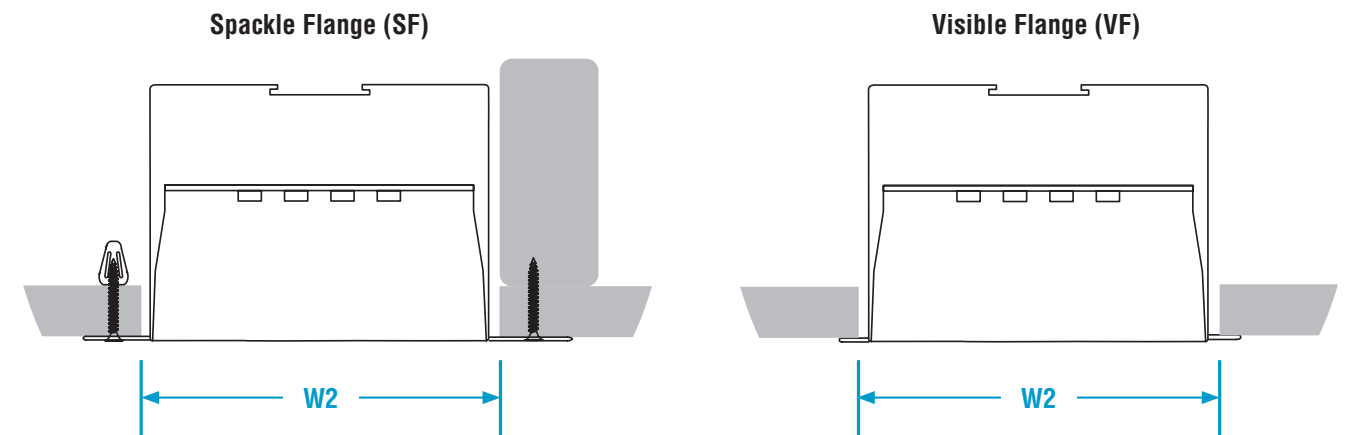
- Install threaded rods to structure¹.
- Provide 1-1/2" of exposed threaded rod for mounting.
- Install electrical junction box and electrical conduit at feed locations.

Option 2 - Mount to Support Structure



- Support blocking² must not exceed distance to wall/ceiling surface.
- Install electrical junction box and electrical conduit at feed locations.

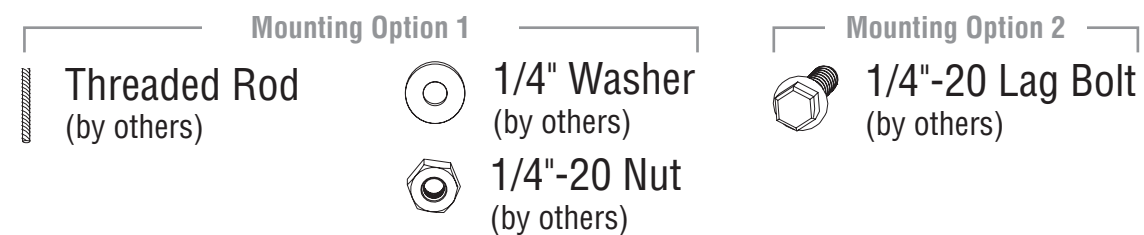
Rough-In Widths



W2 = Rough-In Width*

	Spackle Flange	Visible Flange
HP-2	3-1/8"	2-1/2"
HP-4	4-7/8"	4-1/4"
HP-6	6-1/8"	5-9/16"

- Use rough-in dimension table to the left and Record Drawings to determine rough-in measurements.
- Build wall/ceiling with rough-in according to rough-in dimensions.
- **CRITICAL:** Drywall or weak paneling must be secured to blocking (studs) around rough-in opening in the wall/ceiling.



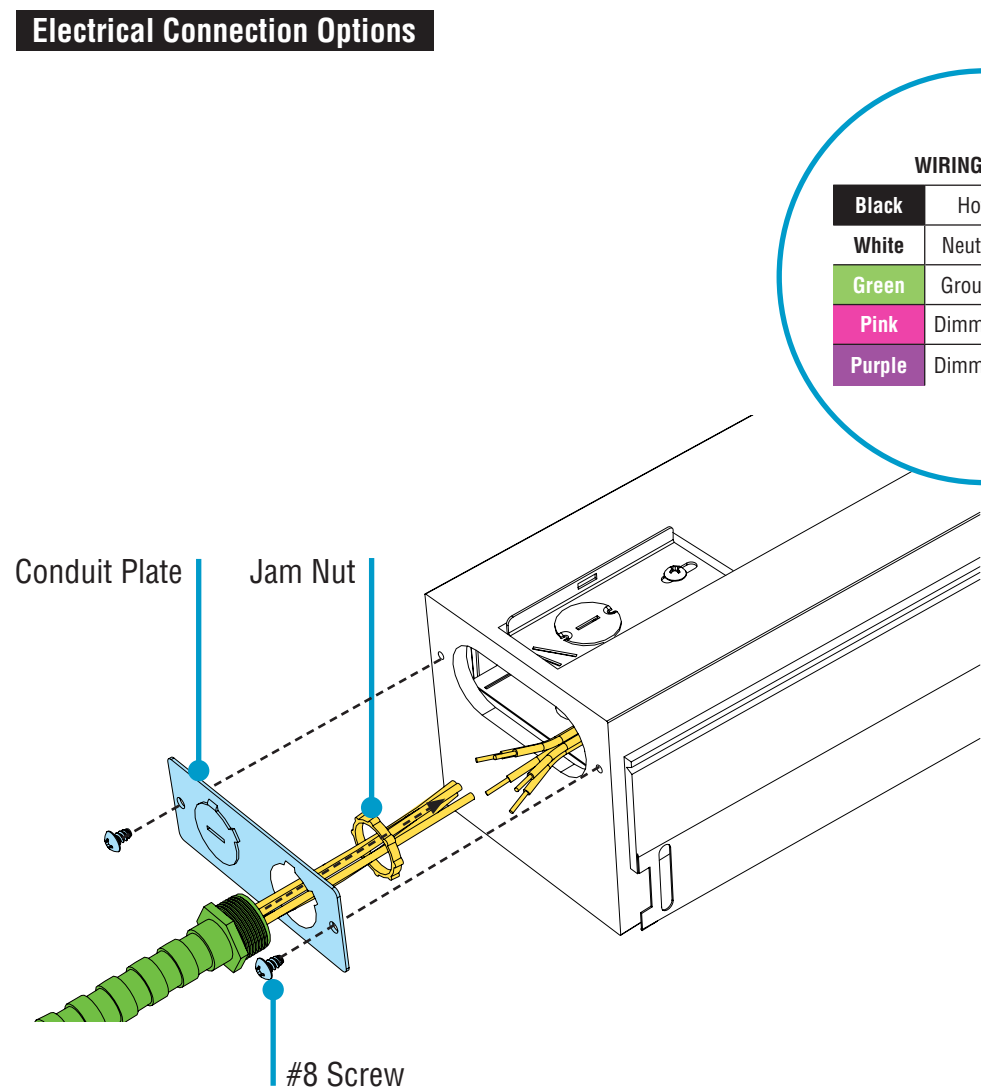
¹ Wall/ceiling surface = drywall, wood, concrete or masonry, metal panels, tile, etc.

² Support blocking = Wooden beams/studs, sheet metal framing beams, steel beams, concrete beams, etc. Use hardware appropriate to the beam material.

HP-2 / HP-4 / HP-6 T-Bar to Wall Inside Corner Installation Instructions

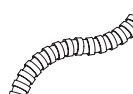
Step 1 - Mounting Locations, Options & Rough-Ins

Electrical Connection Options



CONDUIT PLATE - ENDCAP (Standard)

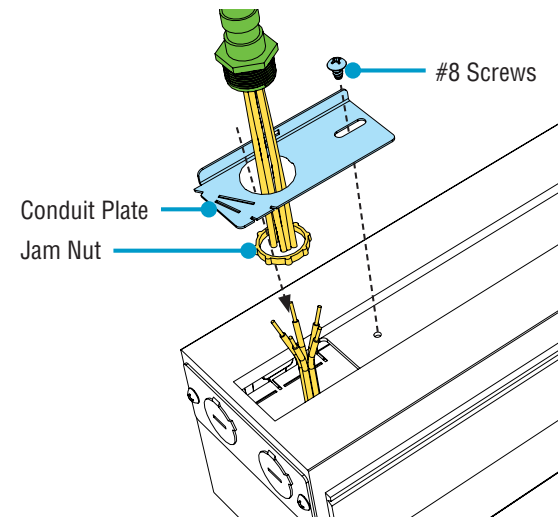
- Remove two screws holding conduit plate.
- Install conduit and jam nut onto conduit plate.
- Wire-nut electrical connections. See wiring legend above.
- Reinstall conduit plate and screws. Do not damage any wires.

 Flex Conduit
(by others)

HP-4 Only

WIRING LEGEND		
Black	Hot	Line Voltage
White	Neutral	Line Voltage
Green	Ground	
Pink	Dimming	0-10V DC
Purple	Dimming	0-10V DC

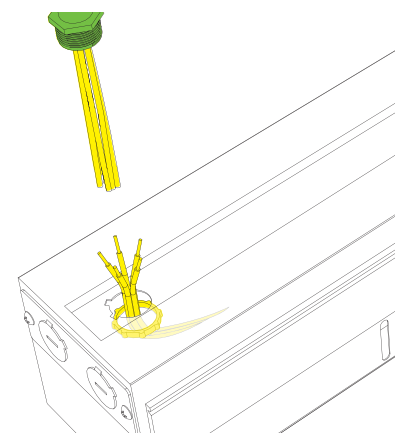
HP-4 Only



CONDUIT PLATE - TOP (Optional: HP-4 ONLY)

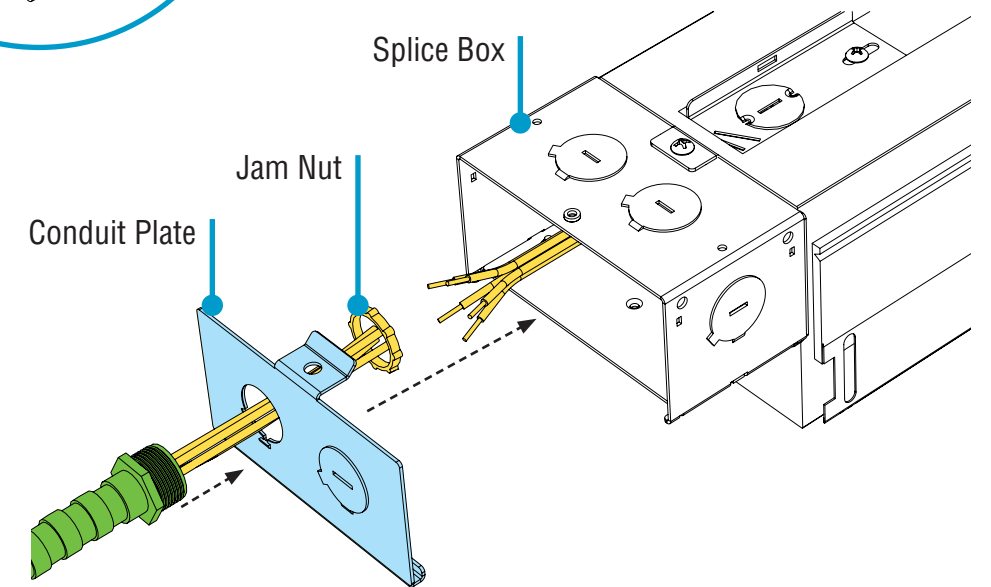
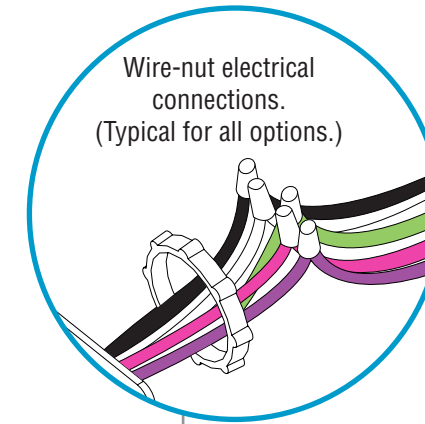
- Remove screw holding conduit plate.
- Install conduit and nut onto conduit plate.
- Wire-nut electrical connections. See wiring legend above.
- Reinstall conduit plate and screw. Do not damage any wires.

HP-2 & HP-6 Only



CONDUIT KO - TOP (Optional: HP-2, HP-6 ONLY)

- Install conduit and nut onto KO.
- Wire-nut electrical connections. See wiring legend above.



SPLICE BOX (Optional)

- Lift tab to unsnap and remove splice box cover.
- Install conduit and nut onto splice box cover.
- Wire-nut electrical connections. See wiring legend above.
- Reinstall splice box cover. Do not damage any wires.



0-10V
Dimming

HP-2 / HP-4 / HP-6 T-Bar to Wall Inside Corner Installation Instructions

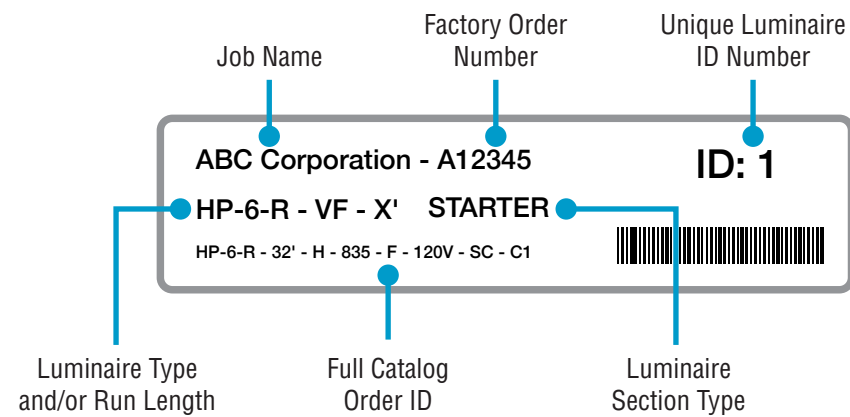
Step 2 - Identification & Preparation

A. Identify Luminaires



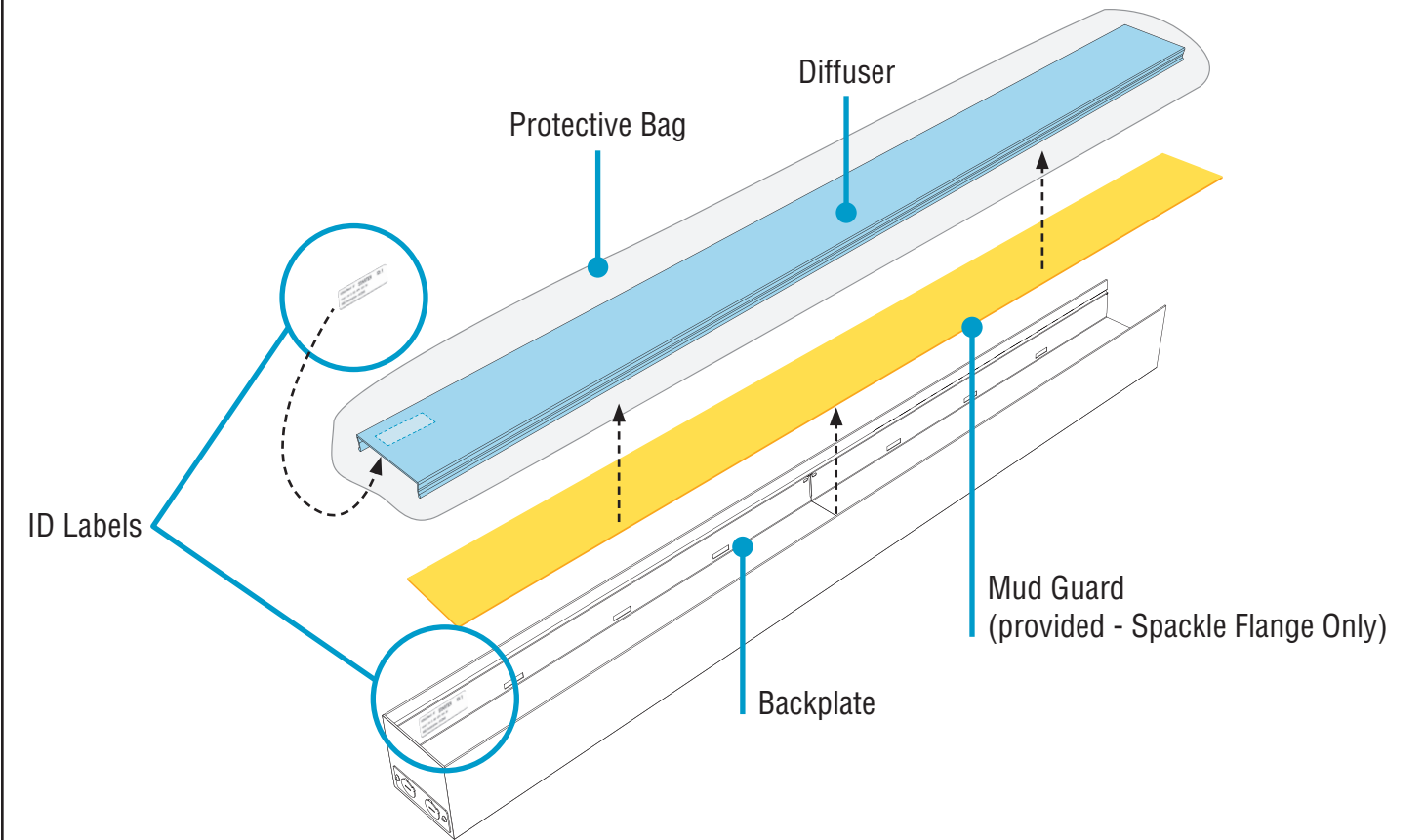
CAUTION

Arrange luminaires in order according to ID# at their install locations.



- Identify all luminaires by their ID label that can be found on the box, on the diffuser, and inside the luminaire.
- **NOTE:** Exact location of labels in these areas may vary.
- Remove all luminaires from their box.
- Refer to Record Drawings that can be found in the hardware kit.

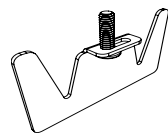
B. Remove Diffusers



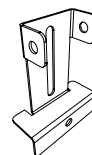
- Carefully remove all diffusers, keeping them inside their protective bags.
- Set aside all diffusers to prevent from getting dirty or damaged.
- Ensure diffusers can be clearly identified back to its corresponding luminaire.
- **CAUTION (Spackle Flange Only):** Carefully remove "Mud Guards" and keep them as they will be reinstalled in Step 9, B.

Kitted Hardware

- Finelite has provided items listed here, with their Finelite part numbers. These items can be found in separate boxes shipped with the luminaire.
- Account for all parts and set aside until they are needed.
- All other hardware needed for this installation will be by others.



Yoke Bracket
Part# 45042
#10-32 x 5/8" Screw
Part# 94144
Securing Corner Joints
p. 11, Step 6
Securing Luminaire Joints
p. 14, Step 8



T-Bar Bracket (C1, C2, C3)
Part# 45651
T-Bar Bracket (TZ4)
Part# 20510
T-Bar Bracket (C1T, C2T, C3F)
Part# 27038
T-Bar Bracket (TZ6)
Part# 27040
Closing Luminaires
p. 16, Step 9



#8 Self-Drilling Screw
Part# 94138
Closing Luminaires
p. 16, Step 9

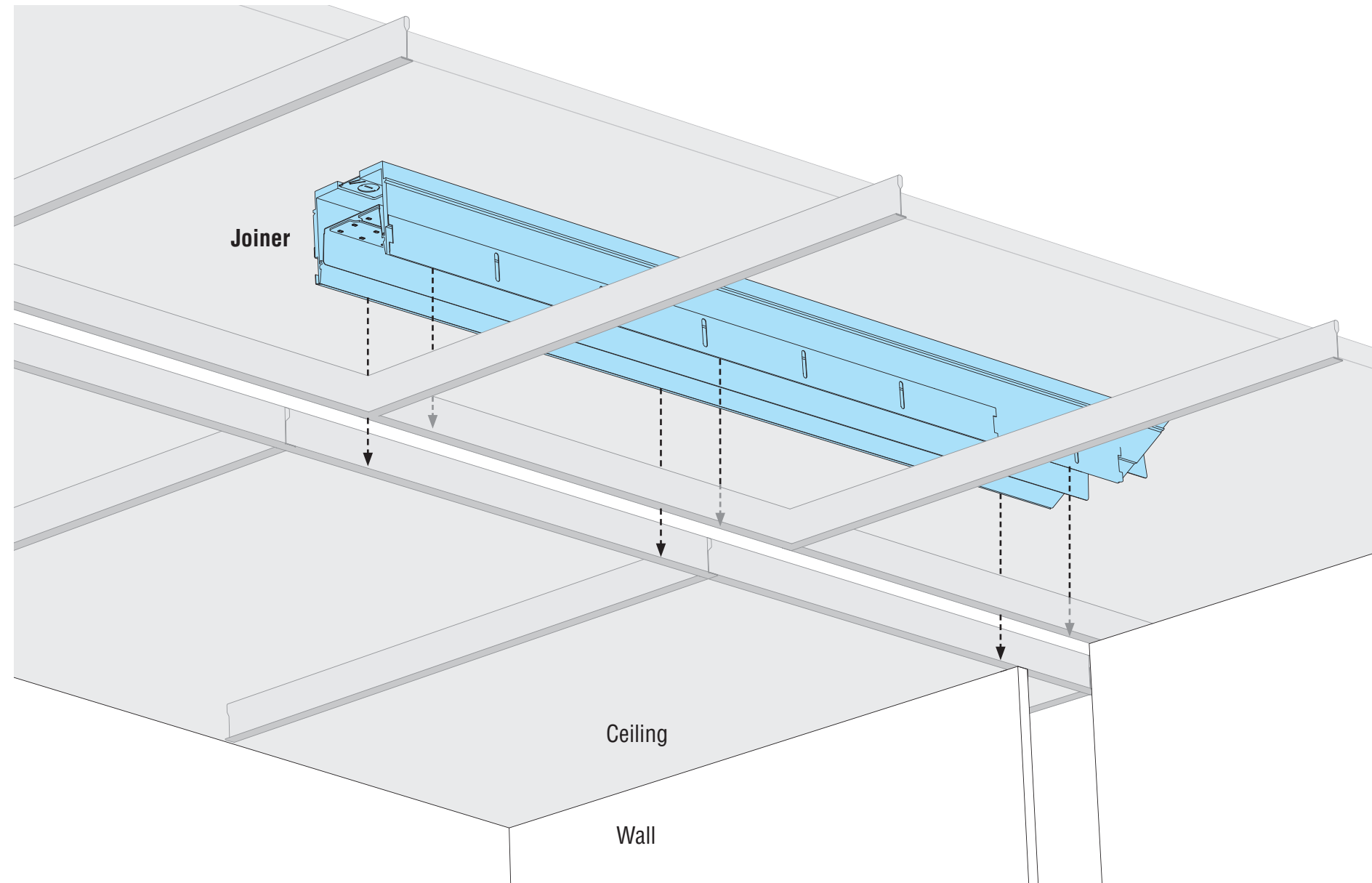


#6 Self-Drilling Screw
Part# 95054
Closing Luminaires
p. 16, Step 9

HP-2 / HP-4 / HP-6 T-Bar to Wall Inside Corner Installation Instructions

Step 3 - Mounting Joiner to Structure

Mount Joiner to Structure



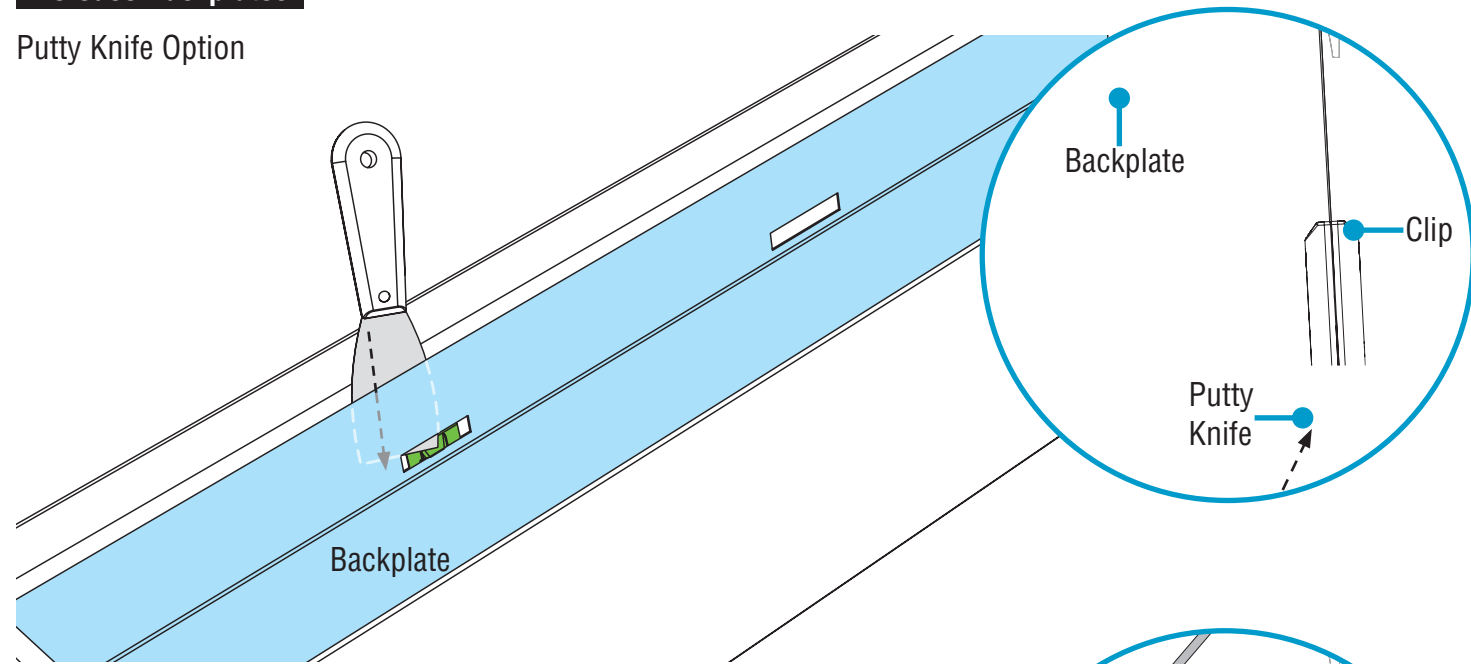
- Maneuver joiner into ceiling space above T-Bar ceiling.
- Lower joiner into place onto T-Bar.

HP-2 / HP-4 / HP-6 T-Bar to Wall Inside Corner Installation Instructions

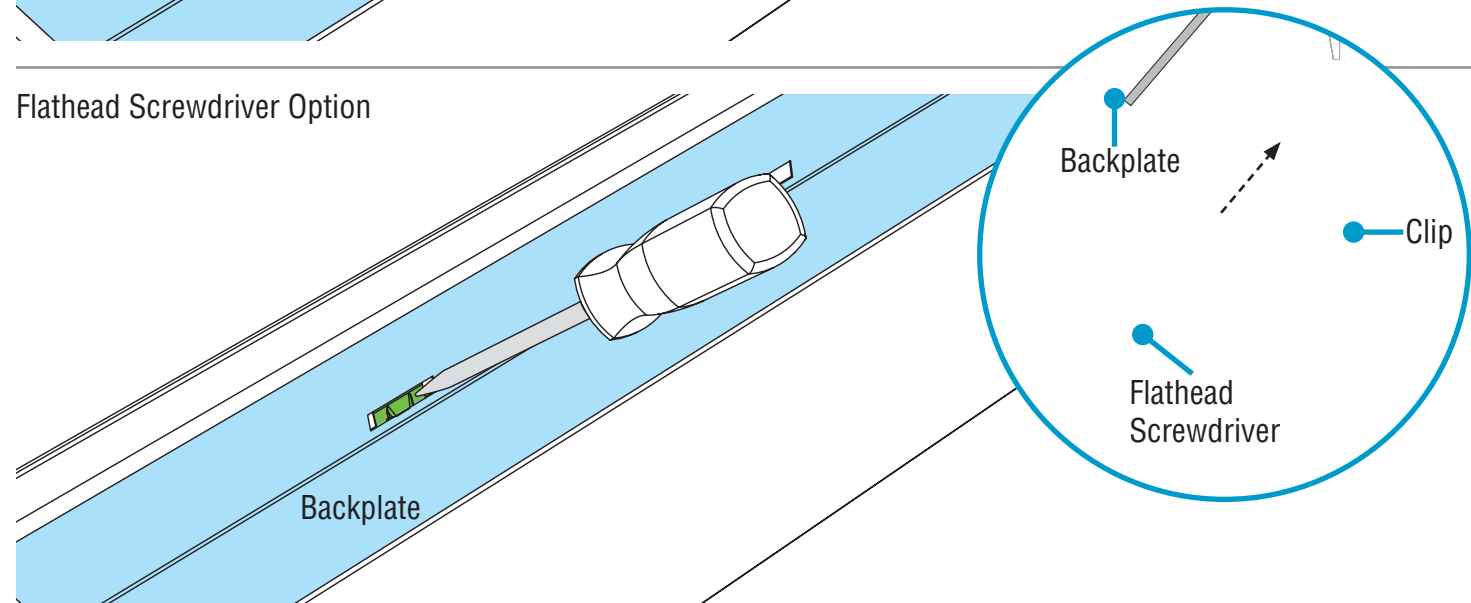
Step 4 - Opening Luminaires

Release Backplates

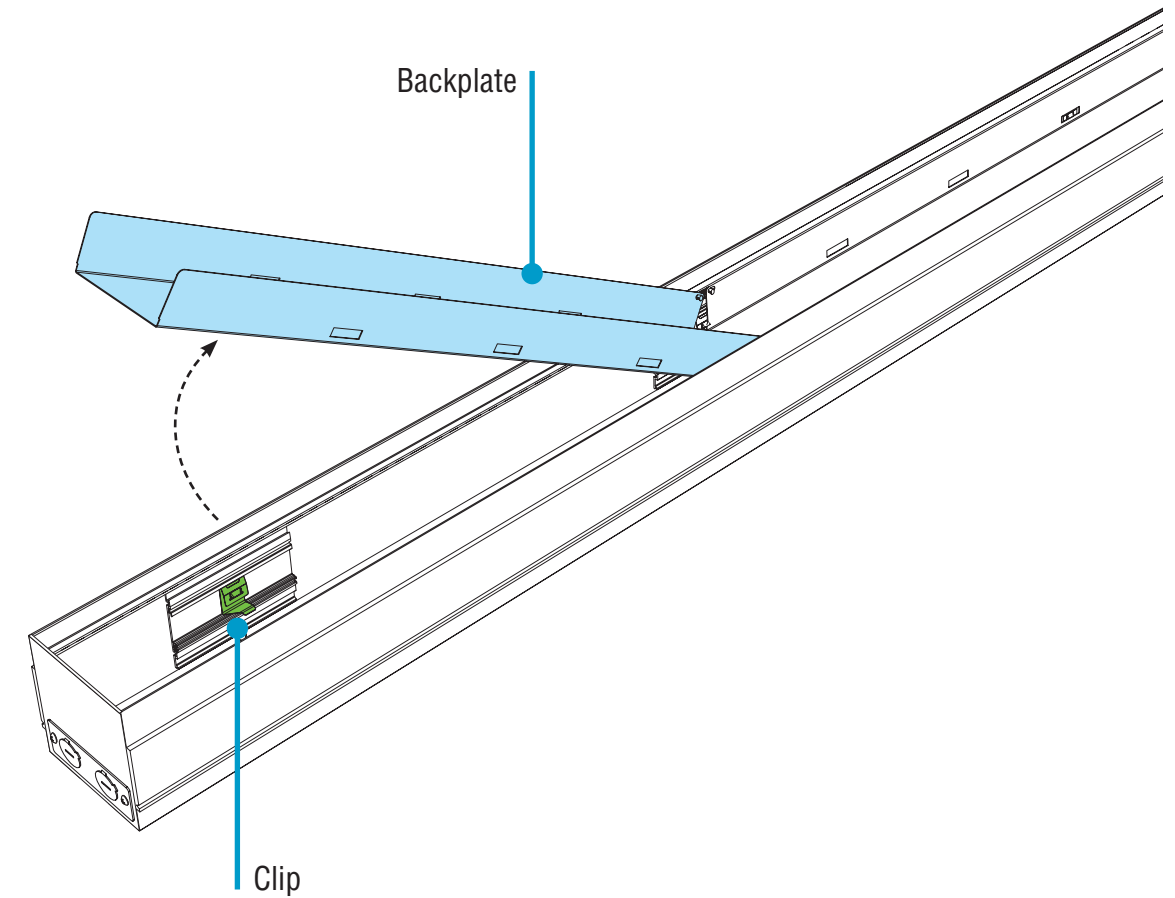
Putty Knife Option



Flathead Screwdriver Option



- Open all backplates for access to mounting joints.
- Release the backplates from clips by sliding the blade of a putty knife behind backplate edges.
- To use a flathead screwdriver: From inside backplate, press end of screwdriver against the clip until the backplate is released.



- For luminaires sitting atop ceiling T-Bar, let backplates swing out and hang from luminaire body.
- For luminaires yet to be installed, sit atop on a sturdy table and release backplates from clips.

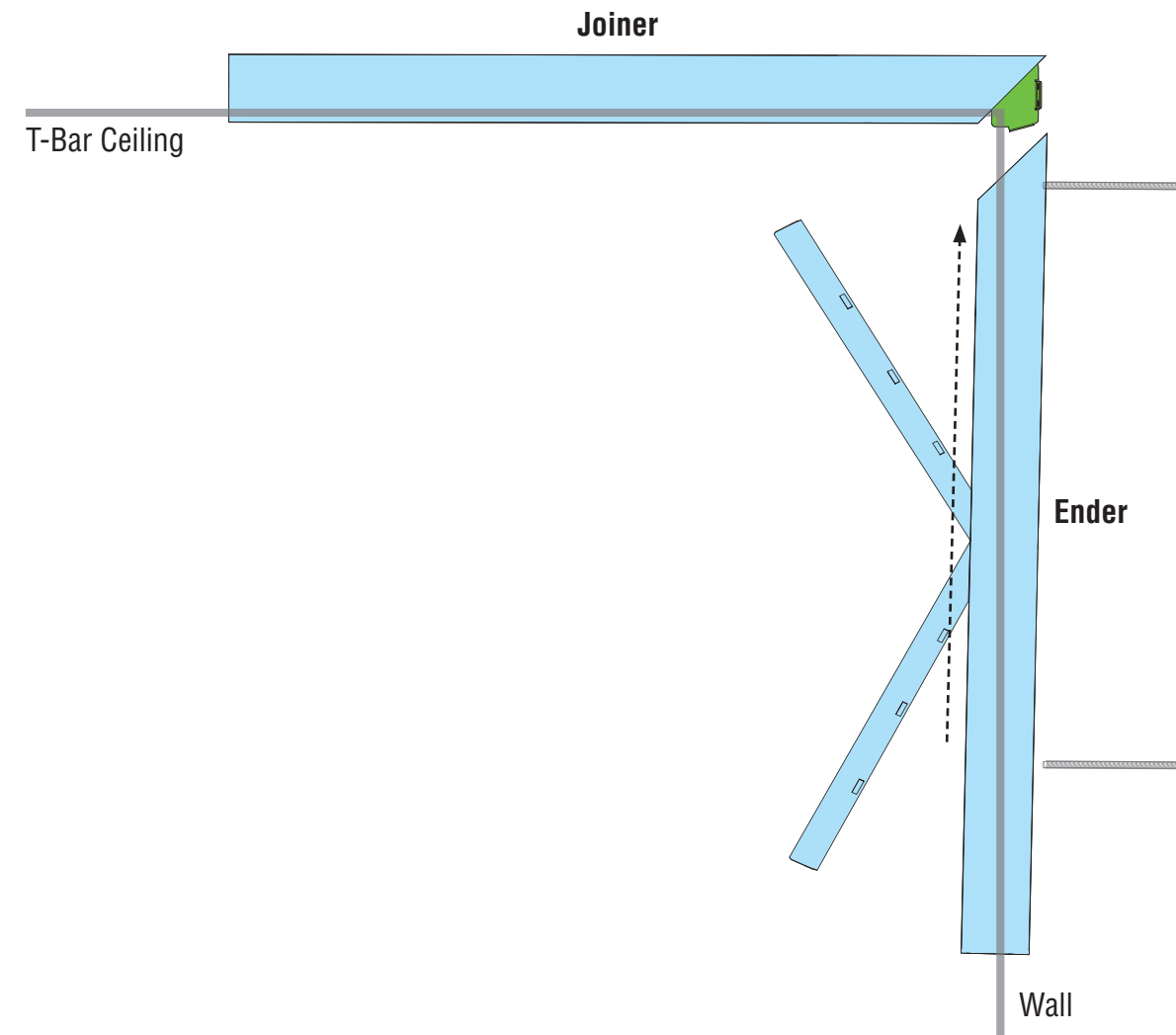
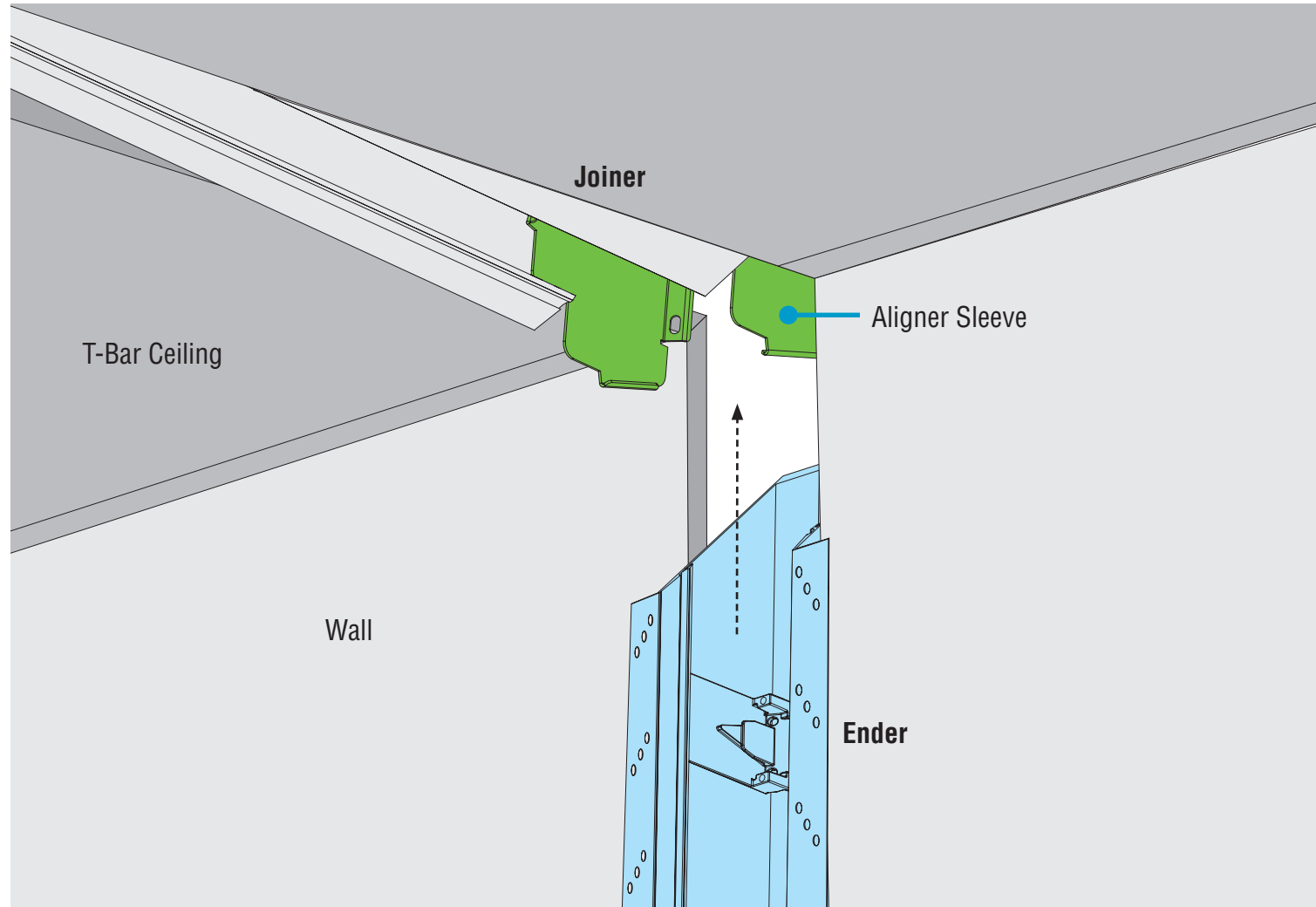


Effortless
Access

HP-2 / HP-4 / HP-6 T-Bar to Wall Inside Corner Installation Instructions

Step 5 - Mounting Ender to Structure

A. Join Luminaires



- With all backplates open, carefully maneuver ender luminaire to wall opening and insert at an angle.

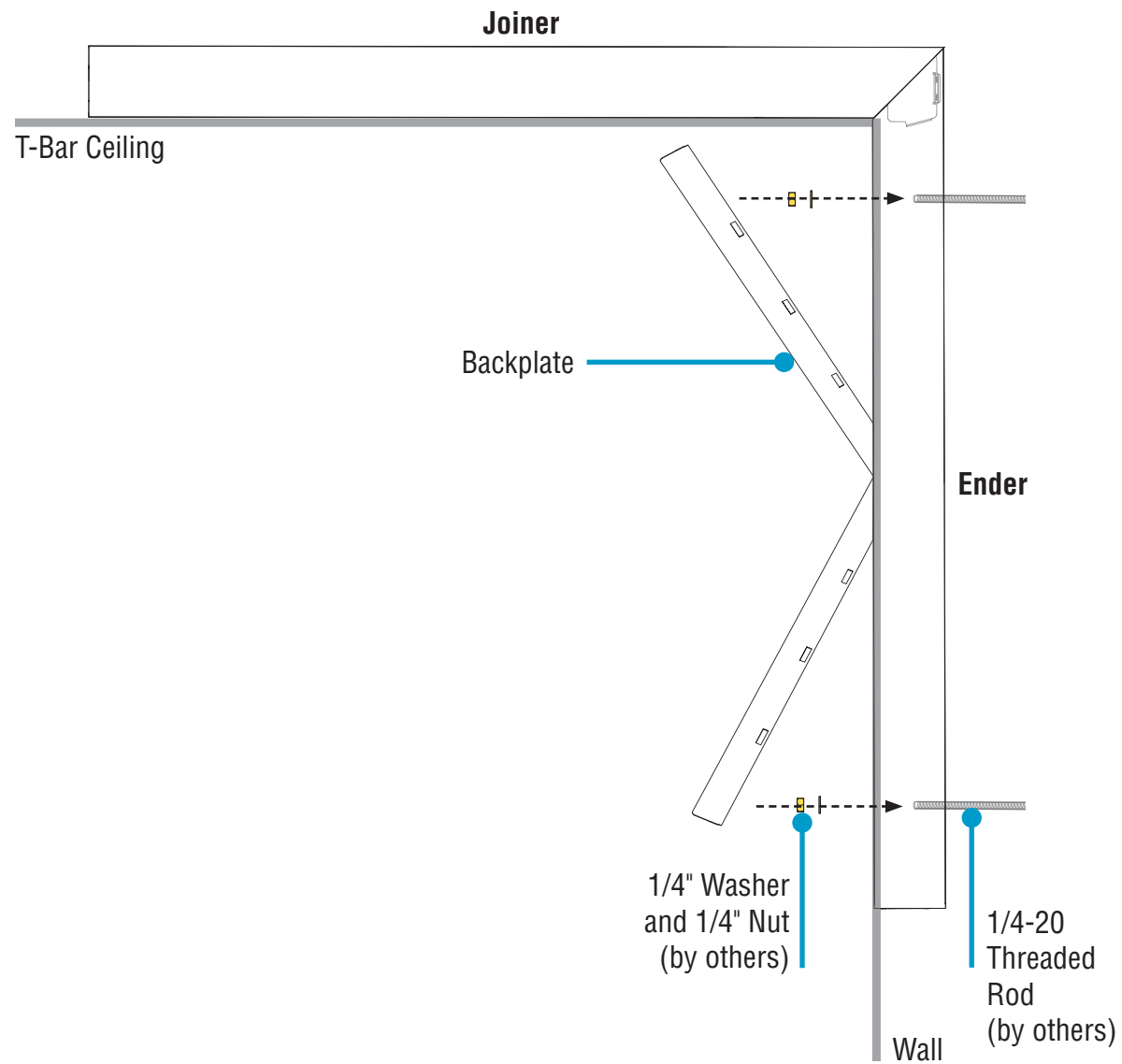
- Angle joiner luminaire out of the T-Bar ceiling by lifting its back end so that the aligner sleeves can meet the ender luminaire.
- Align ender with aligner sleeves on joiner and slide together. Be careful not to damage any wiring.

CONTINUED

HP-2 / HP-4 / HP-6 T-Bar to Wall Inside Corner Installation Instructions

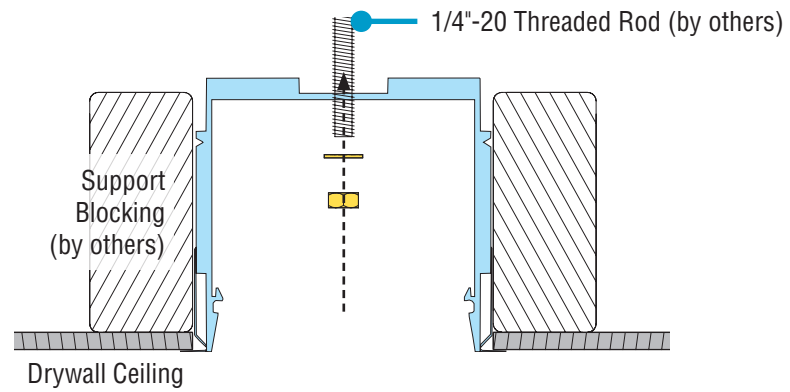
Step 5 - Mounting Ender to Structure

B. Mount Ender to Structure



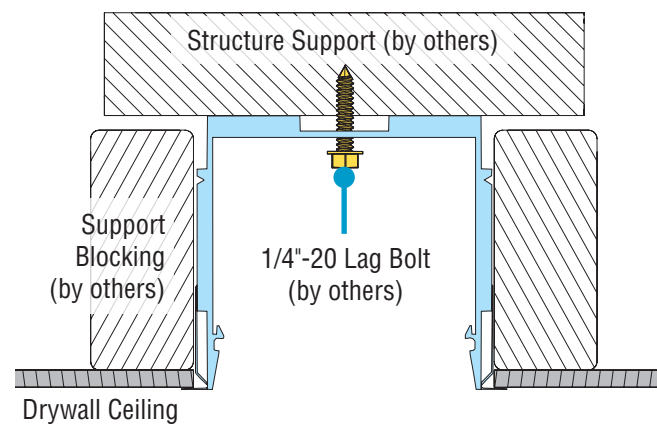
- Use option 1 or option 2 to mount ender into rough-in.

Option 1 (Shown) - Mount to Threaded Rod



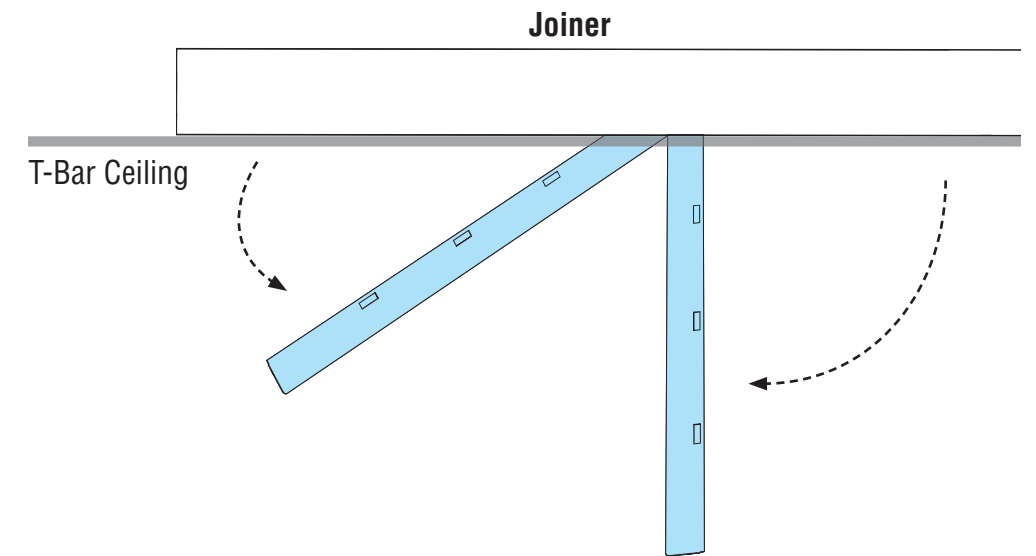
- Align threaded rods with mounting holes and slide luminaire into ceiling.
- Install 1/4"-20 nut and 1/4" washer onto 1/4"-20 threaded rod.
- **CRITICAL:** If installing a joiner/ender luminaire in the next step, leave the nut loose, allowing the luminaire to hang out of ceiling at an angle.

Option 2 - Mount to Structure Support

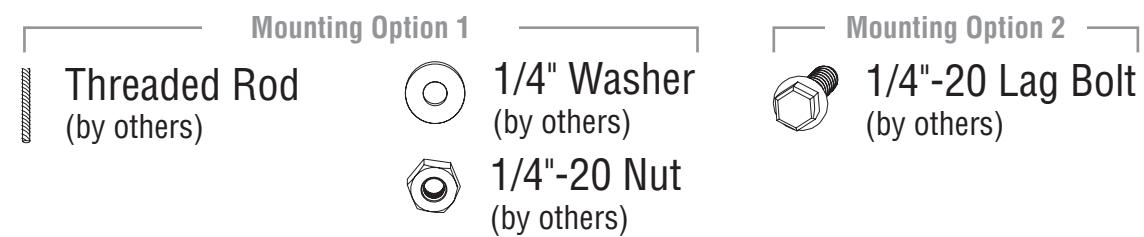


- Slide luminaire into ceiling and mount to structure support with hardware appropriate for the structure type.
- **CRITICAL:** If installing a joiner/ender luminaire in the next step, leave the bolt/screw loose, allowing luminaire to hang out of ceiling at an angle.

C. Open Joiner Backplate



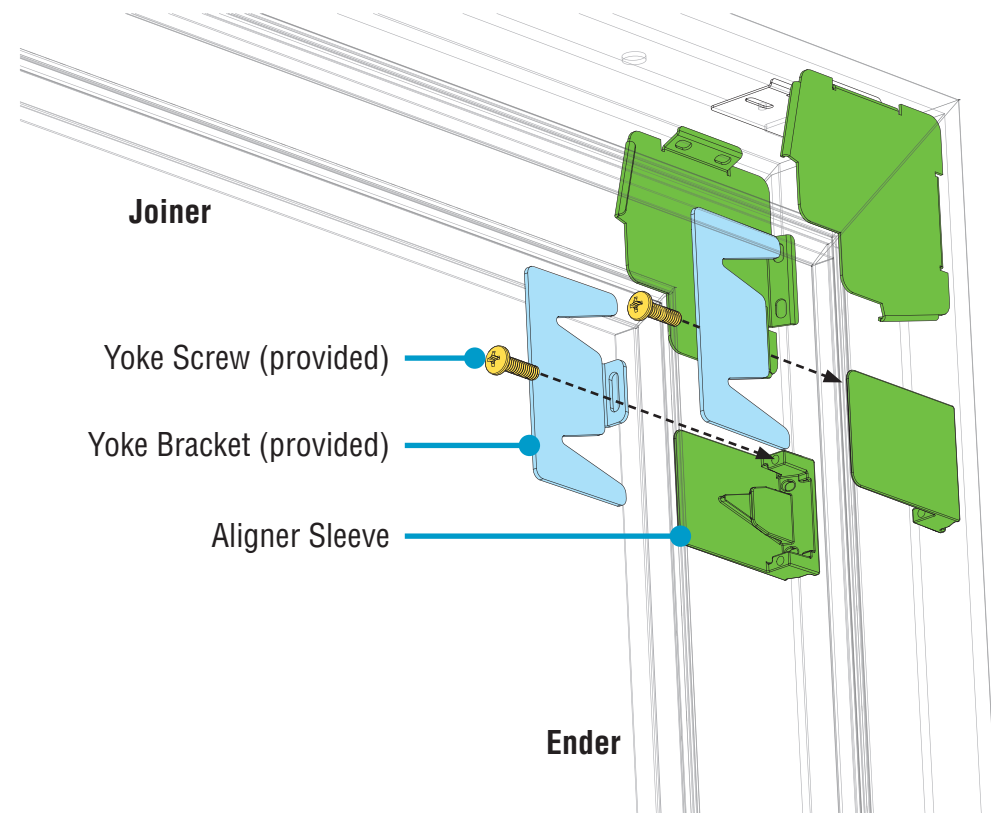
- Open backplate from joiner luminaire. Refer to PAGE 8, STEP 4



HP-2 / HP-4 / HP-6 T-Bar to Wall Inside Corner Installation Instructions

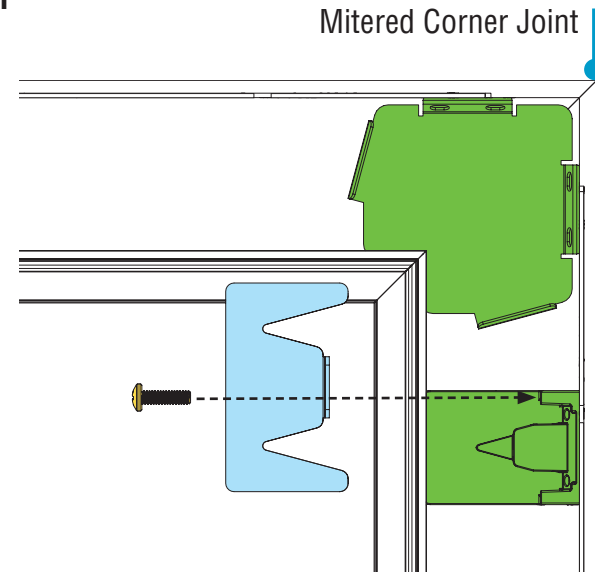
Step 6 - Securing Corner Joints

A. Secure Joint with Yoke Brackets

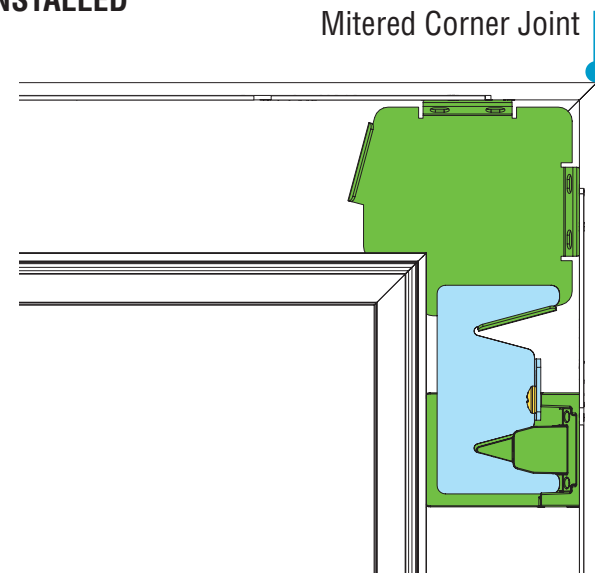


- Before installing yoke brackets, ensure the joining corners of luminaires meet flush and square.
- **CRITICAL:** Ensure yoke brackets properly engage with aligner sleeves.
- Secure joint by threading (but not yet tightening) yoke screws through yoke brackets and into aligner sleeves.

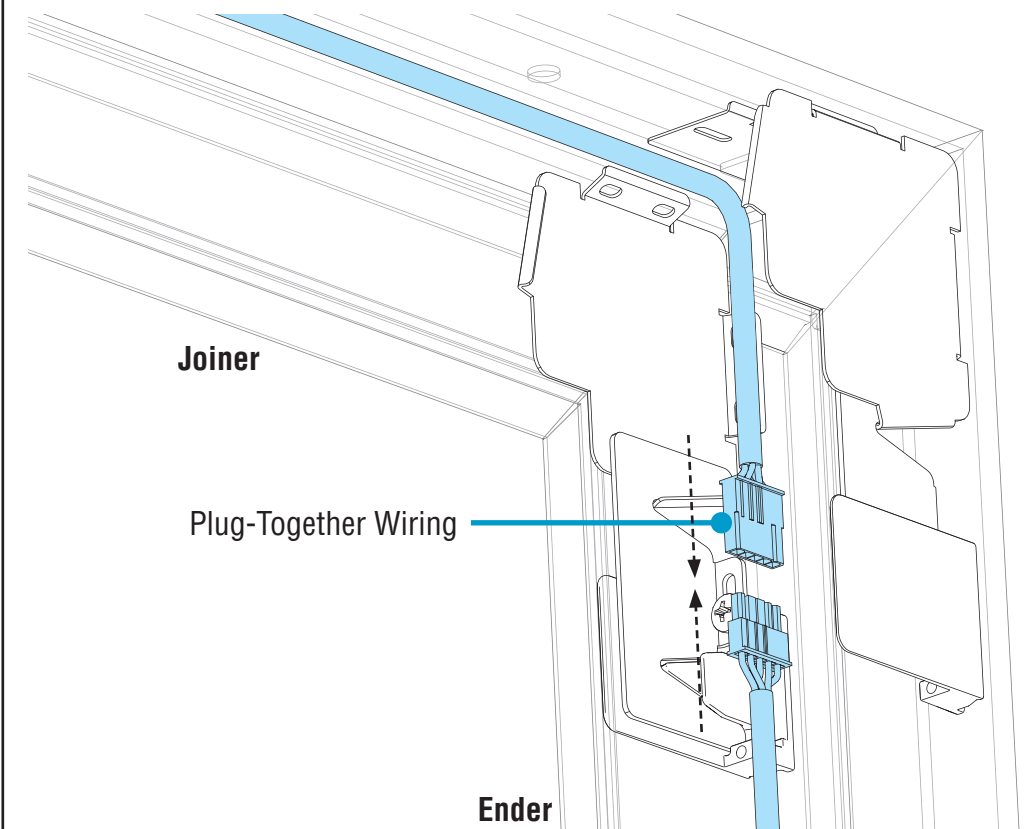
IN ALIGNMENT



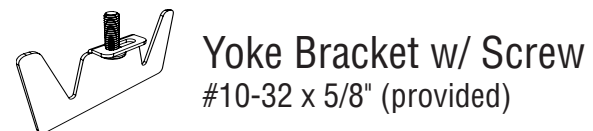
CORRECTLY INSTALLED



B. Make Electrical Connections



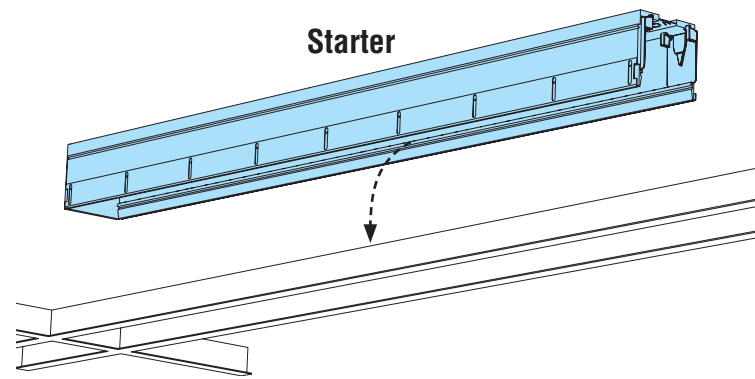
- Connect plug-together wiring.



HP-2 / HP-4 / HP-6 T-Bar to Wall Inside Corner Installation Instructions

Step 7 - Mounting Starter to Structure

A. Mount Starter to Structure

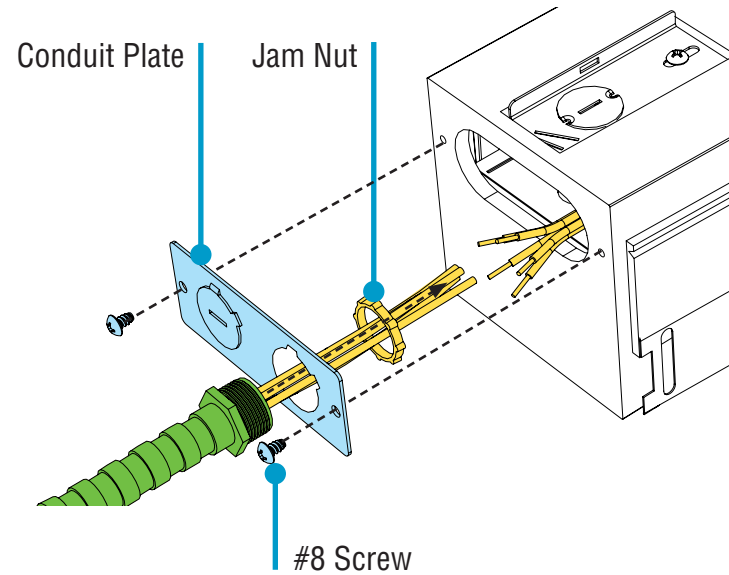


- Lower starter luminaire into place onto T-Bar.
- Make electrical connections at **ENDCAP**, at **TOP** or with a **SPLICE BOX**.

B. Make Electrical Connections

WIRING LEGEND

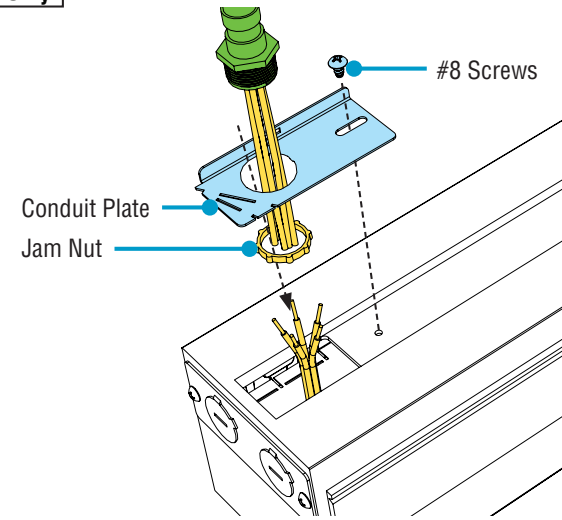
Black	Hot	Line Voltage
White	Neutral	Line Voltage
Green	Ground	
Pink	Dimming	0-10V DC
Purple	Dimming	0-10V DC



CONDUIT PLATE - ENDCAP (Standard)

- Remove two screws holding conduit plate.
- Install conduit and jam nut onto conduit plate.
- Wire-nut electrical connections. See wiring legend above.
- Reinstall conduit plate and screws. Do not damage any wires.

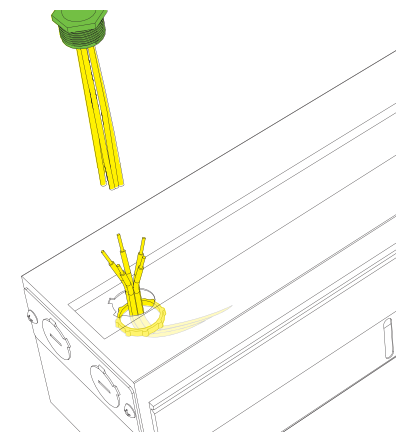
HP-4 Only



CONDUIT PLATE - TOP (Optional: HP-4 ONLY)

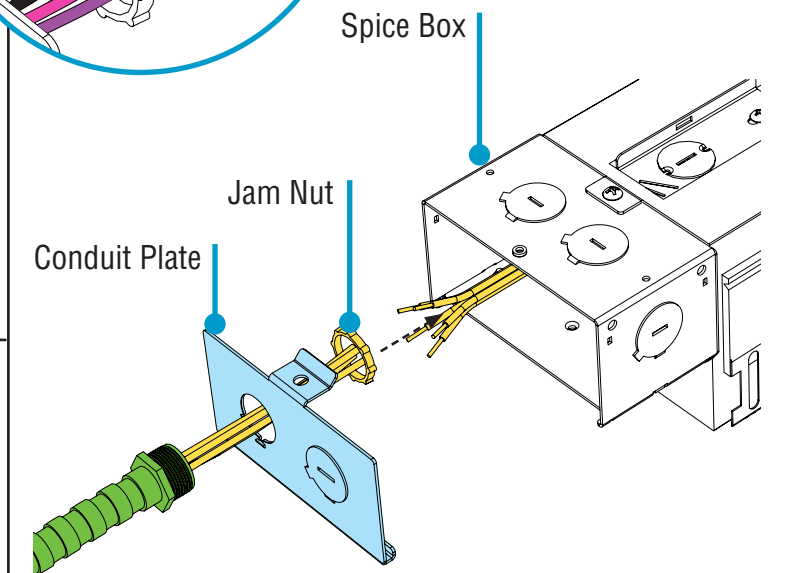
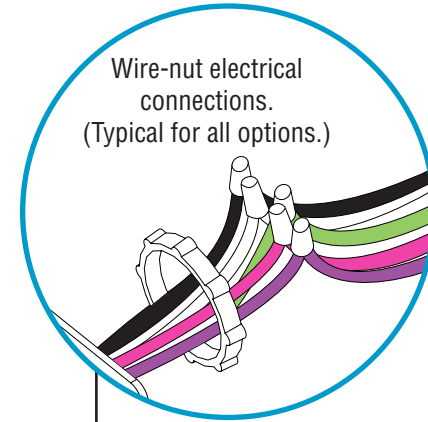
- Remove screw holding conduit plate.
- Install conduit and nut onto conduit plate.
- Wire-nut electrical connections. See wiring legend above.
- Reinstall conduit plate and screw. Do not damage any wires.

HP-2 & HP-6 Only



CONDUIT KO - TOP (Optional: HP-2, HP-6 ONLY)

- Install conduit and nut onto KO.
- Wire-nut electrical connections. See wiring legend above.



SPLICE BOX (Optional)

- Lift tab to unsnap and remove splice box cover.
- Install conduit and nut onto splice box cover.
- Wire-nut electrical connections. See wiring legend above.
- Reinstall splice box cover. Do not damage any wires.

CONTINUED

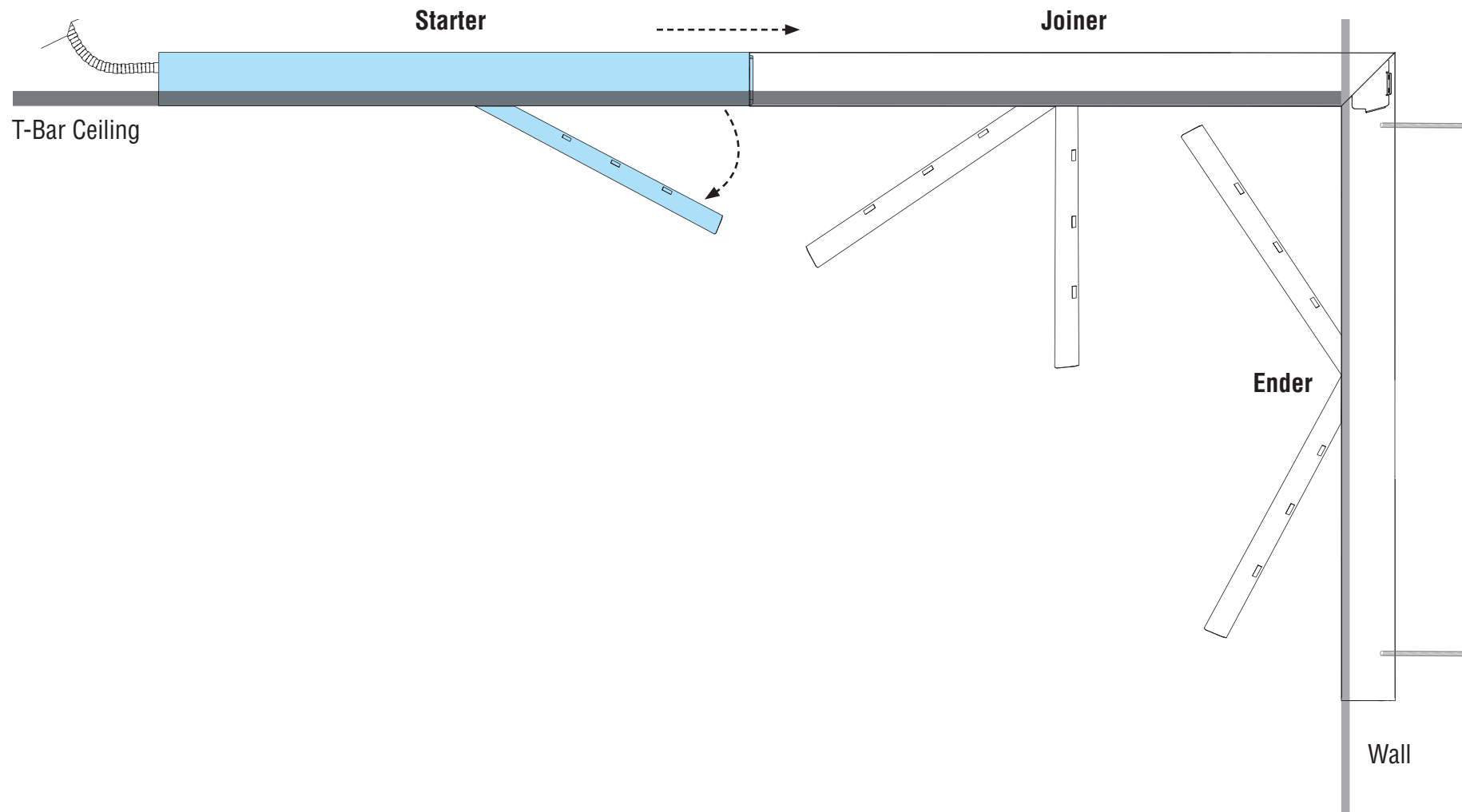


0-10V
Dimming

HP-2 / HP-4 / HP-6 T-Bar to Wall Inside Corner Installation Instructions

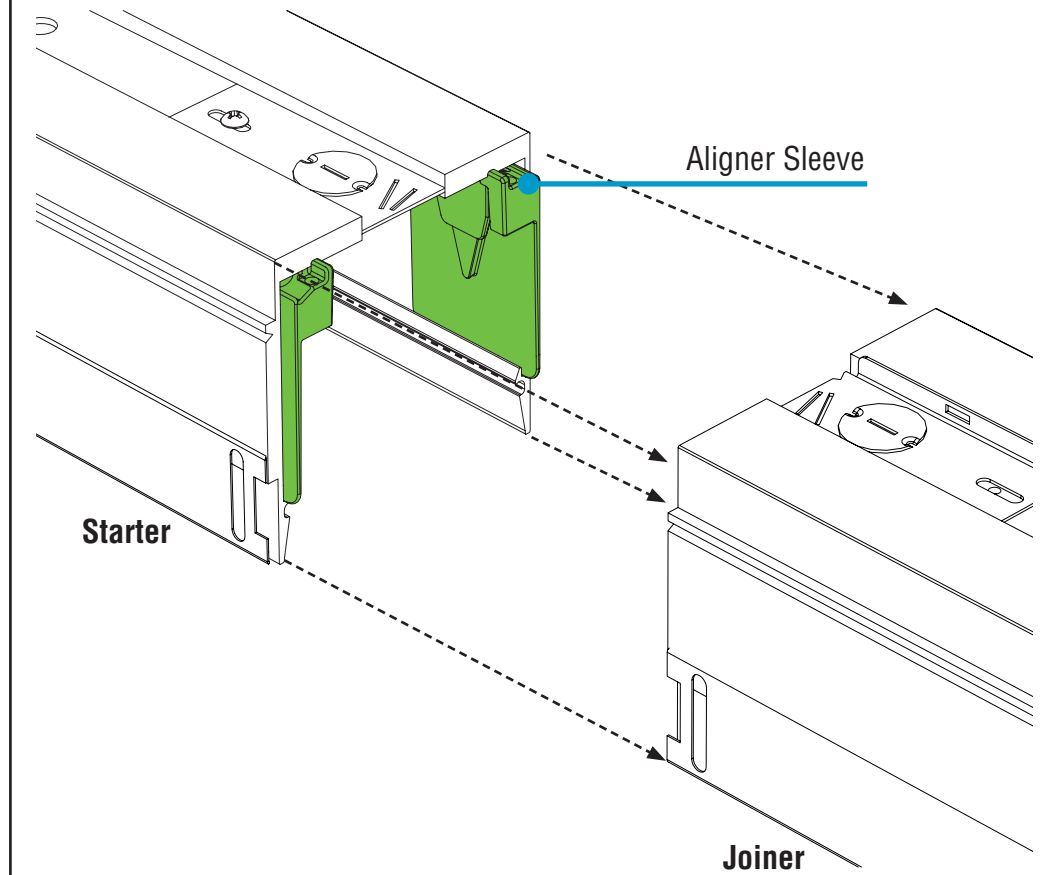
Step 7 - Mounting Starter to Structure

C. Join Starter to Joiner



- Maneuver stater into ceiling space above T-Bar ceiling.
- Open backplate near joint. **Refer to PAGE 8, STEP 4.**

D. Join Luminaires

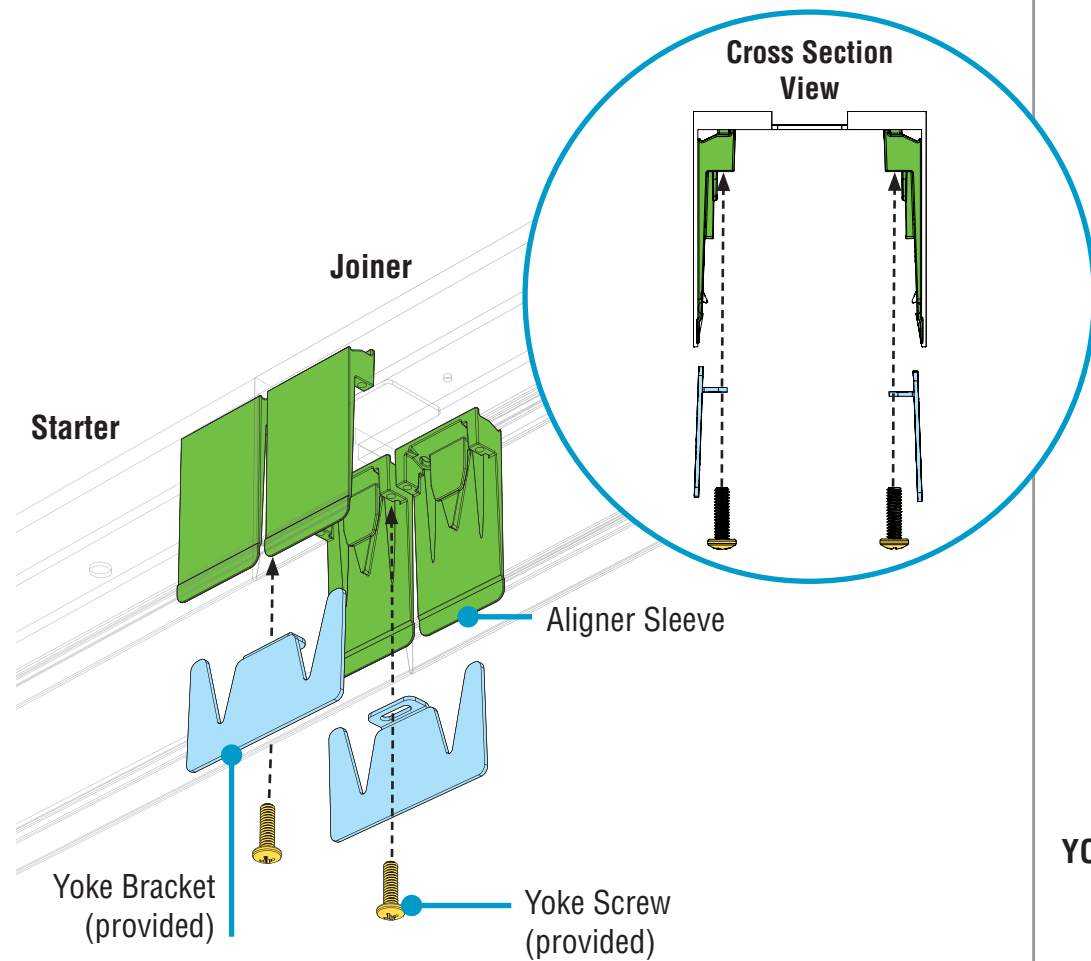


- Align starter aligner sleeve to joiner/ender and slide together.
- If necessary, **lift** both luminaires, then slide together.

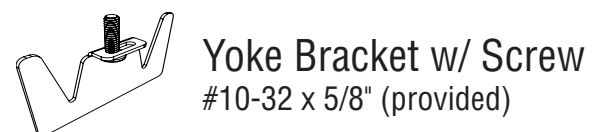
HP-2 / HP-4 / HP-6 T-Bar to Wall Inside Corner Installation Instructions

Step 8 - Securing Luminaire Joints

A. Secure Joint with Yoke Brackets

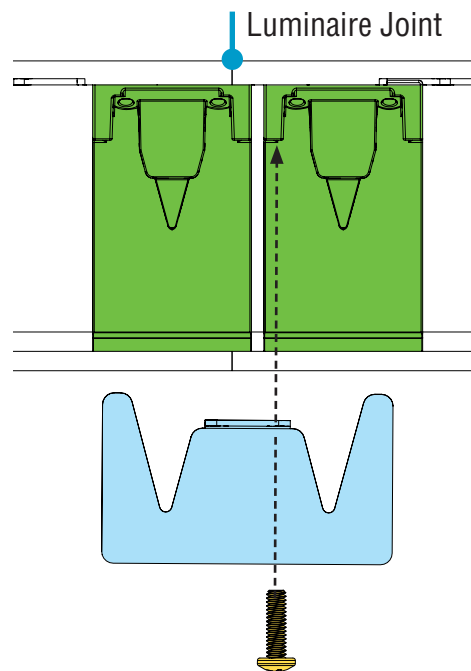


- **FOR SENSOR OR SOCKET:** If luminaire contains a sensor or socket at joint, refer to page 4 of appropriate Addendum before Securing Luminaire Joints.
- Before installing yoke brackets, ensure the joining end of luminaires that meet are flush.
- **CRITICAL:** Ensure yoke brackets properly engage with aligner sleeves.
- Secure joint by threading (but not yet tightening) yoke screws through yoke brackets and into the aligner sleeves.
- Level joining luminaire by raising or lowering the far end of the joining luminaire.
- Tighten yoke screws¹ until joint seam of luminaires is closed.

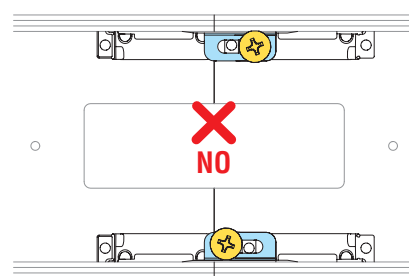


¹ Screwdriver with 6" bit required.

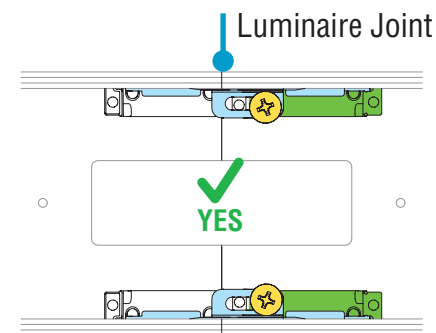
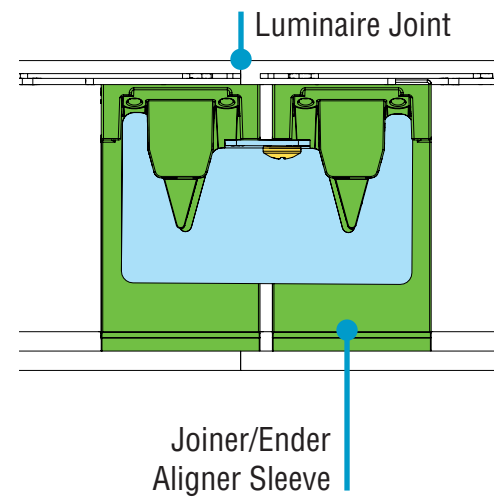
IN ALIGNMENT



YOKE SCREW ALIGNMENT Bottom Up View

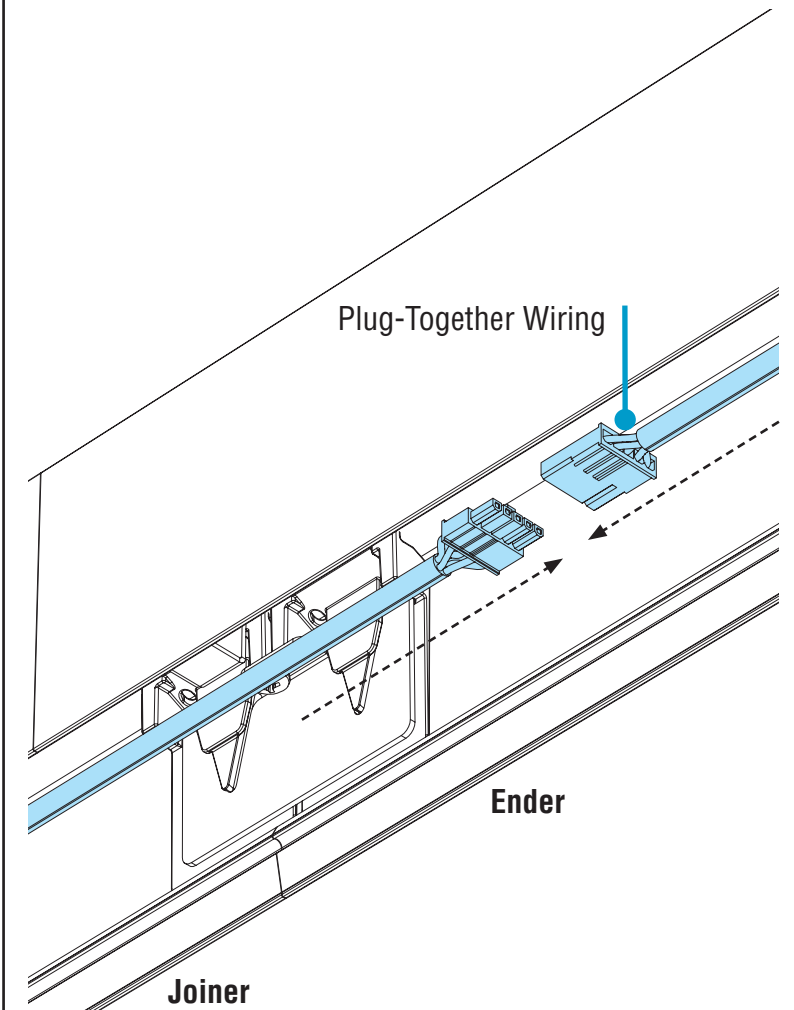


CORRECTLY INSTALLED



NOTE: Yoke screws should be installed directly across from each other, not diagonally, and in holes furthest from the joint line. One yoke screw per one yoke bracket.

B. Make Electrical Connections



- Connect plug-together wiring.



Socket Removal
& Installation



Universal &
Robust Joints

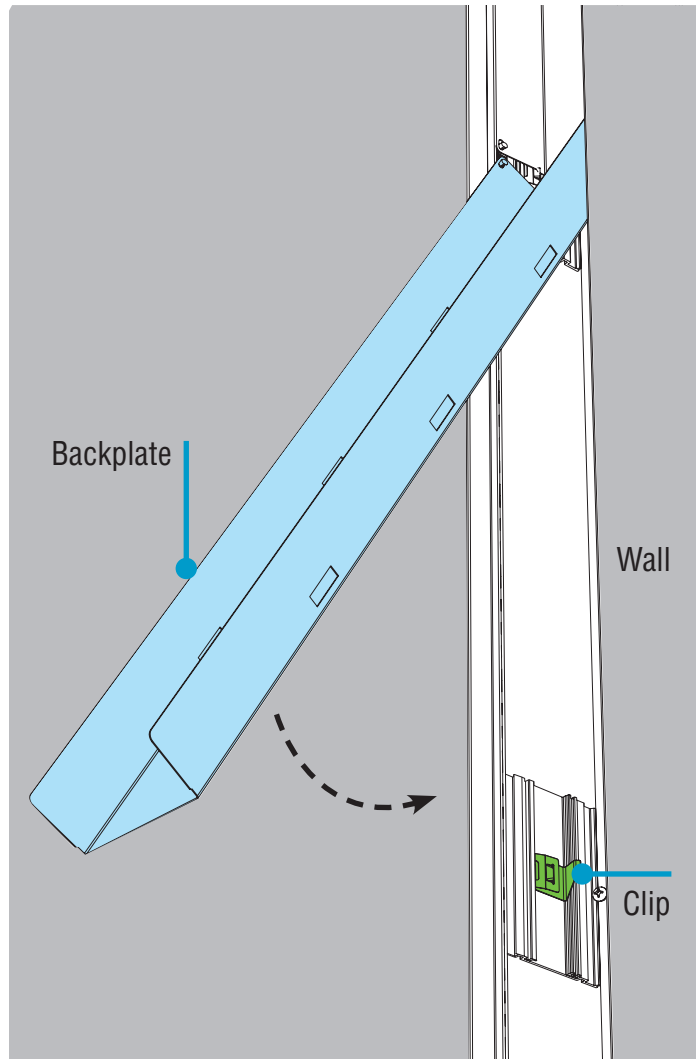


Simple
Plug-Together
Wiring

HP-2 / HP-4 / HP-6 T-Bar to Wall Inside Corner Installation Instructions

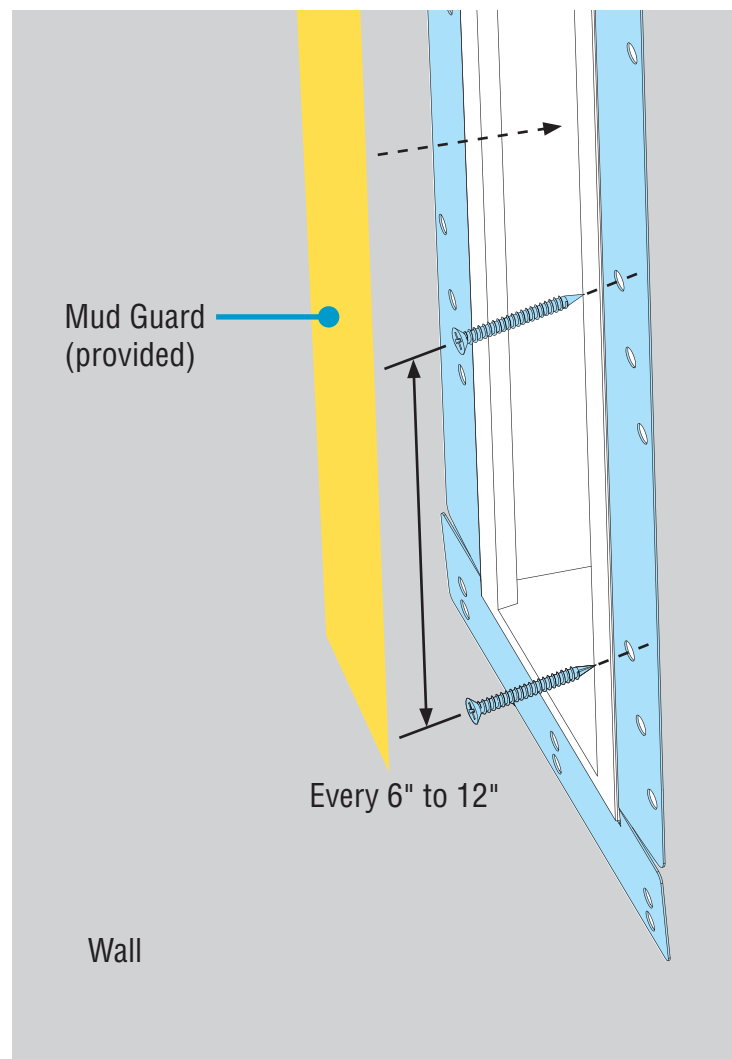
Step 9 - Closing Luminaires

A. Close Backplate



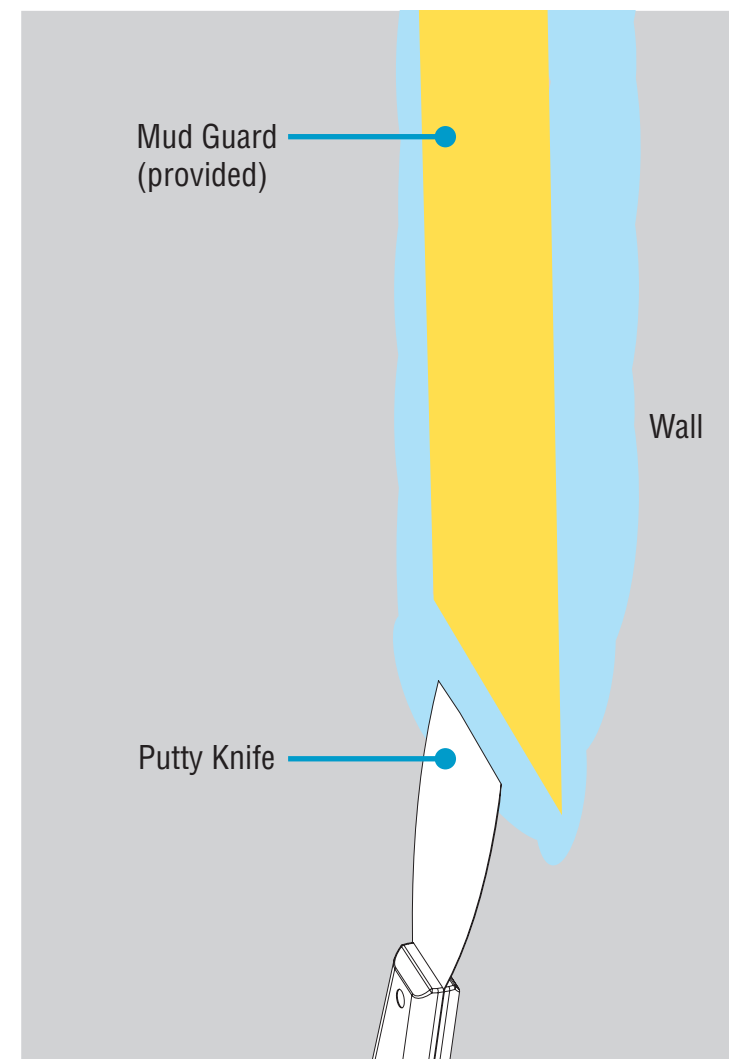
- Tighten all yoke bracket screws and mounting screws.
- Reinstall all backplates by snapping into clips.

B. Secure Flange To Structure



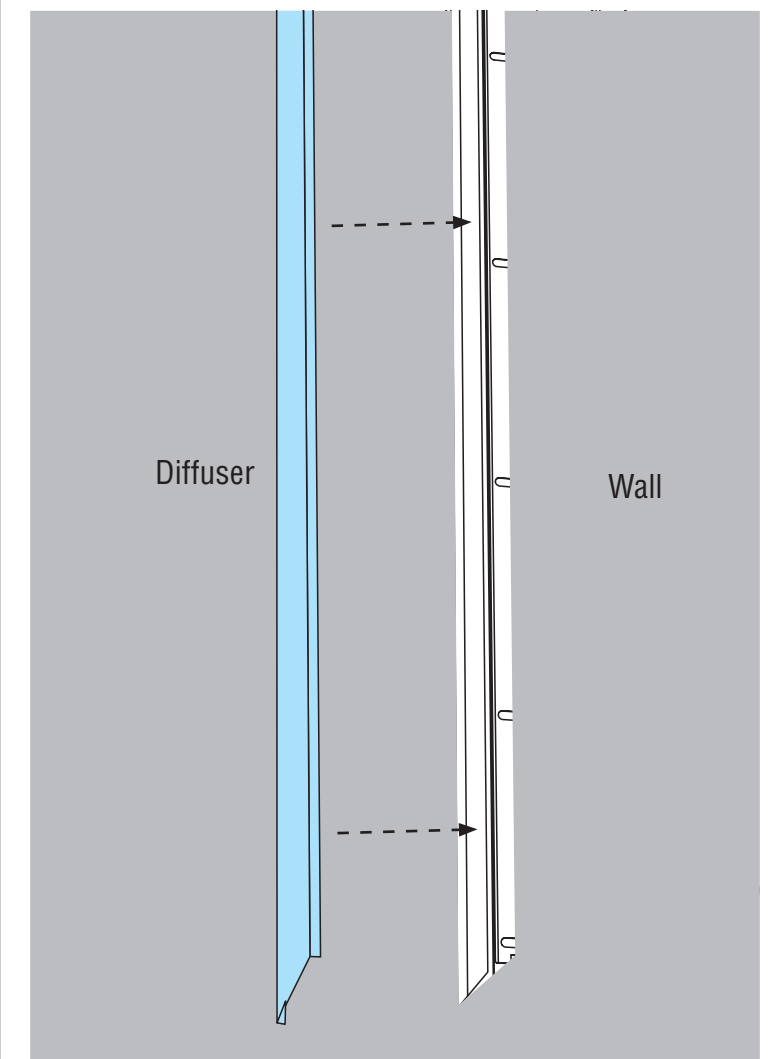
- Secure flanges to wall/ceiling using appropriate screws or fasteners¹ for hard surface, per local building codes.
- Install the "mud guard" cardboard inserts to help prevent spackle and paint from getting into the light luminaire.

C. Apply Spackle

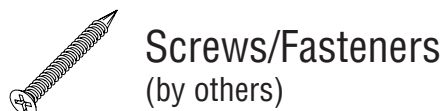


- Spackle and paint over flanges up to luminaire edge.
- **CAUTION:** Careful not to drop spackle into luminaire. Immediately wipe off excess spackle that may have gotten onto luminaire edges.
- Perform all spackling and painting to walls and ceiling prior to removing mud guards.
- Remove all mud guards.

D. Replace Diffusers



- Remove diffusers from protective plastic bag.
- **CAUTION:** Wear gloves to keep diffuser surface clean.
- **CRITICAL:** Be sure to install correct diffuser to its corresponding luminaire ID.
- Install diffusers into luminaire body, ensuring they snap into place.



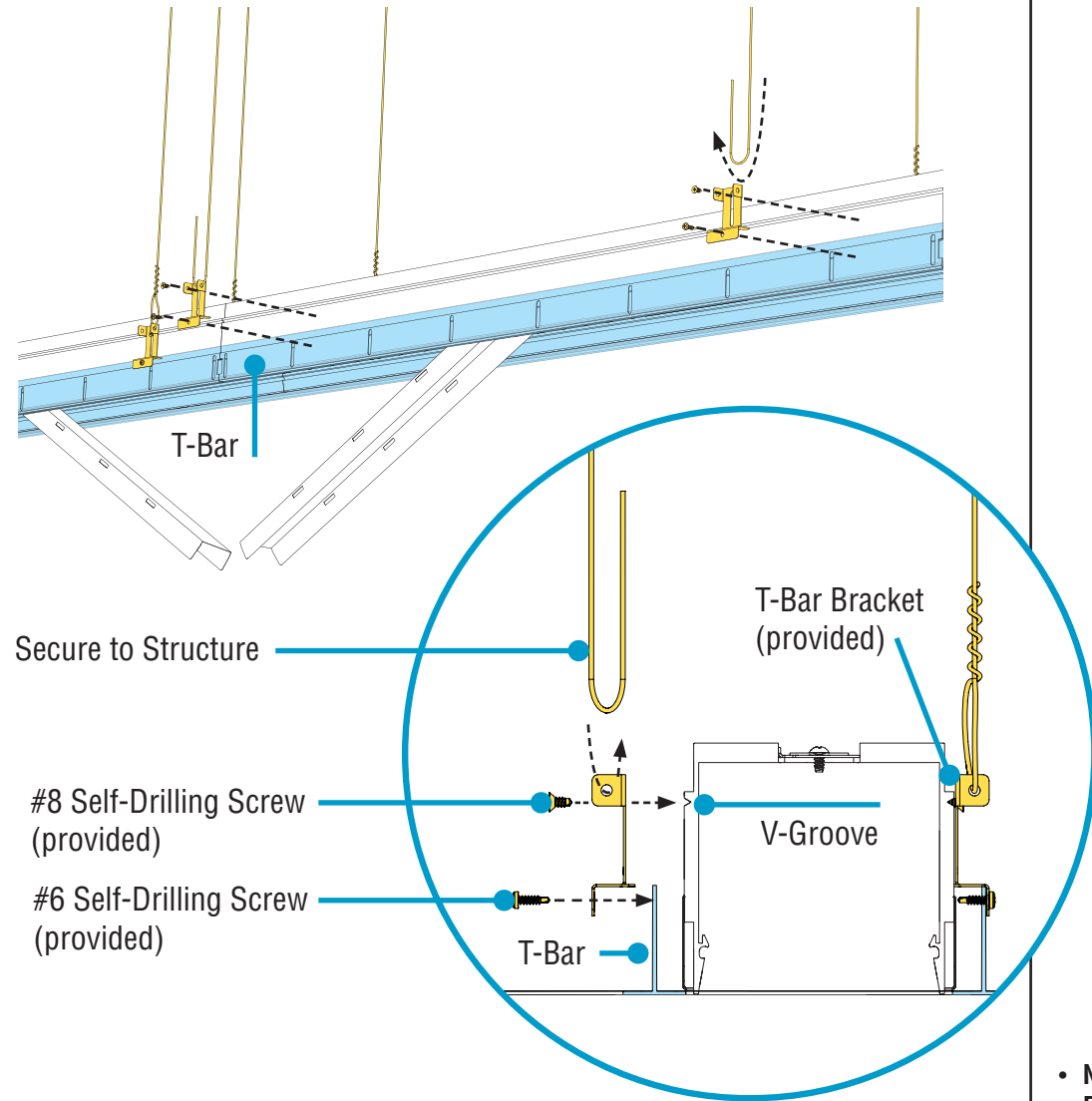
¹ Screws or fasteners: drywall - drywall screws, wood - wood screws, etc.

CONTINUED

HP-2 / HP-4 / HP-6 T-Bar to Wall Inside Corner Installation Instructions

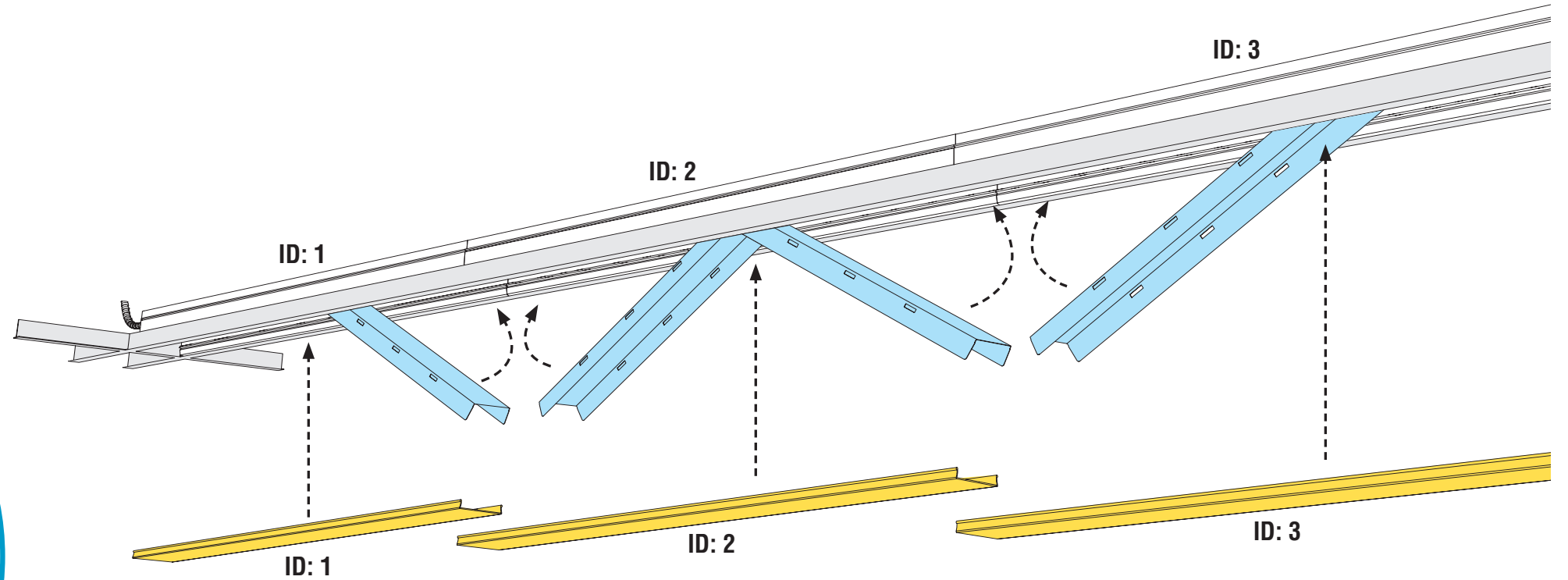
Step 9 - Closing Luminaires

E. Secure to Structure



- Use #8 self-drilling screws to mount brackets onto luminaire. Drive the screws into the v-groove screw channel.
- Secure luminaire to building structure using tie-wires, as per code.
- Use #6 self-drilling screws to mount T-Bar brackets to T-Bar ceiling.
- **CAUTION:** Do not over-tighten. Use these screws to control centering of the luminaire between the T-Bars on both sides.

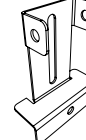
F. Replace T-Bar Backplates & Diffusers



- **NOTE:** If your installation includes a battery backup, please see addendum (98333) that should be included with your kitting package.
- **FOR SENSOR OR SOCKET:** If luminaire contains a sensor or socket at joint, refer to page 5 of appropriate Addendum before Closing Luminaires.
- Reinstall backplates by rotating up into luminaire body and snapping back into clips.
- Remove diffusers from protective plastic bag.
- **CAUTION:** Wear gloves to keep diffuser surface clean.
- **CRITICAL:** Be sure to install correct diffuser to its corresponding luminaire ID.
- Replace diffusers into luminaire body, ensuring they snap back into place.
- Turn power on to luminaire.

 #8 Self-Drilling Screws (provided)

 #6 Self-Drilling Screws (provided)

 T-Bar Brackets (provided)



Socket Removal & Installation