

H04 Surface Mount Installation Instructions

Overview

NOTES

- Ensure that reflectors do not get dirty or damaged.
- If luminaire contains a sensor refer to the Sensor Addendum.
- All power connections should be installed according to local/national codes by a Certified Electrician.
- This installation requires **proper support** as each luminaire is being installed.
- **DO NOT attempt to join luminaires together on the floor.** Damage may result when lifted.



HELPFUL
VIDEOS



Effortless
Access



0-10V
Dimming



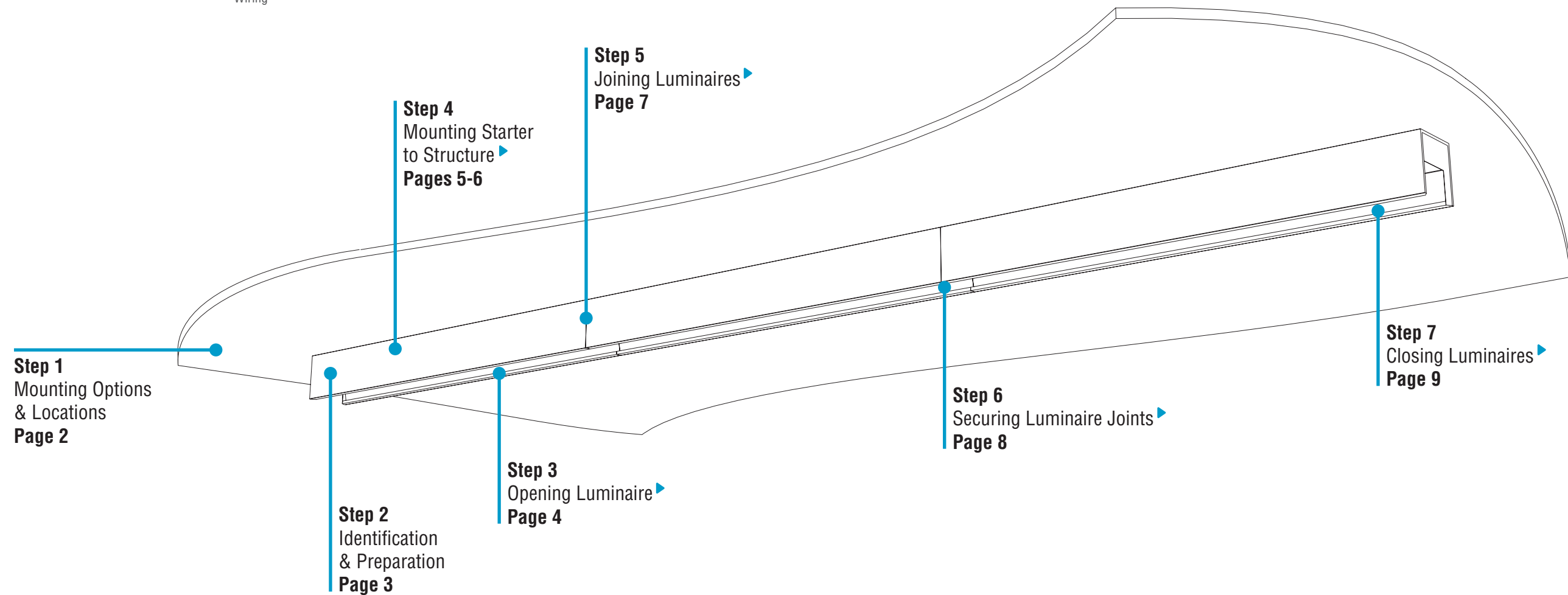
Simple
Plug-Together
Wiring



Universal &
Robust Joints



Reflector
Installation



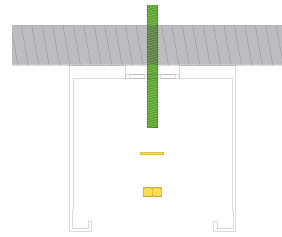
H04 Surface Mount Installation Instructions

Step 1 - Mounting Options & Locations

Mounting Options

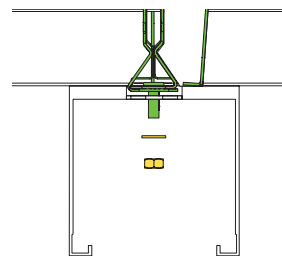
Option 1 - Mount to Threaded Rod

- Install threaded rods to structure.
- Threaded rod must exceed distance to wall/ceiling surface by 1-1/2".
- Install electrical junction box and electrical conduit at feed locations.



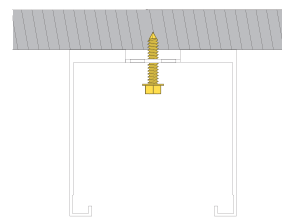
Option 2 - Mount to T-Bar

- Install caddy clips onto T-Bar at mounting point locations.
- All caddy clips are to be secured to structure, per local building codes.



Option 3 - Mount to Support Structure

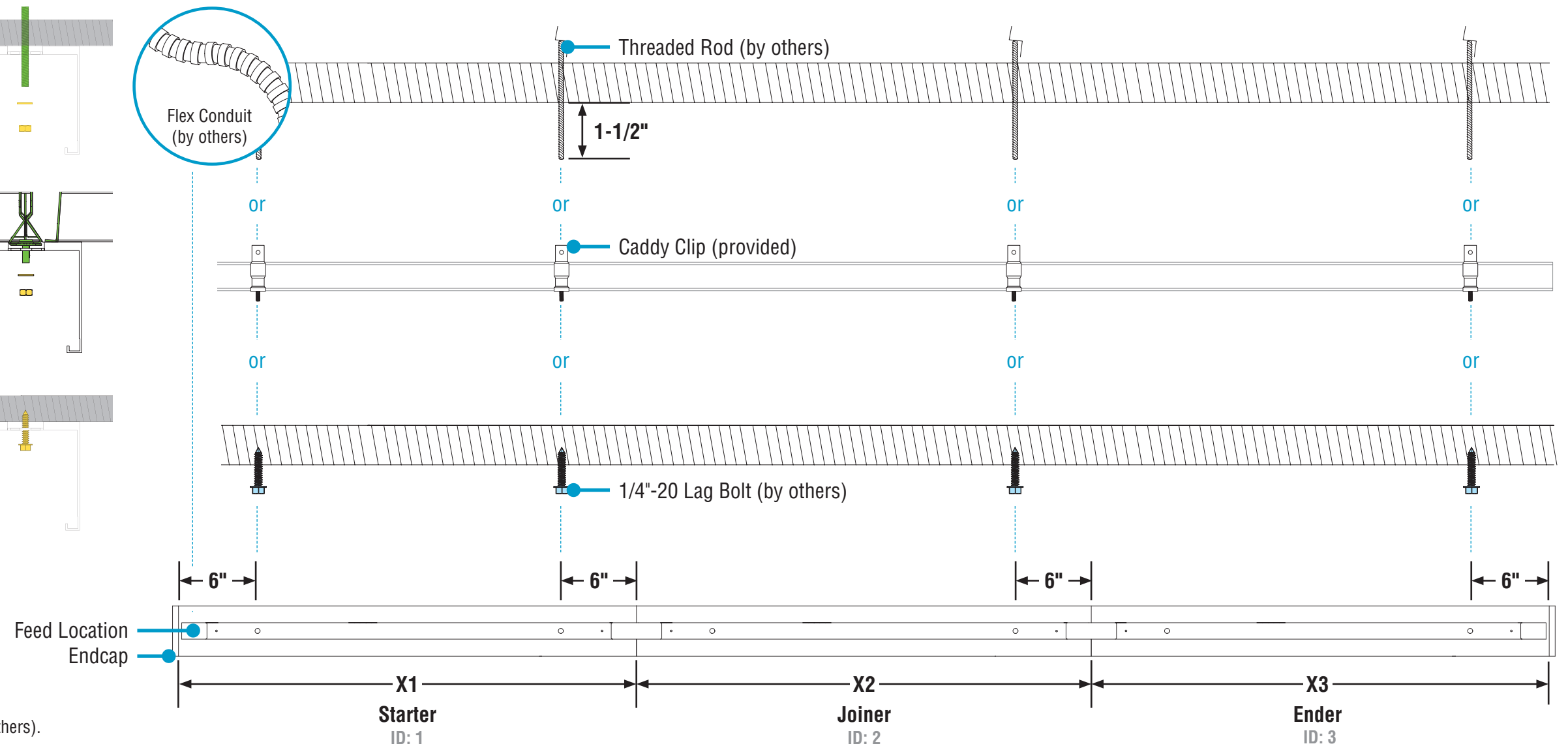
- Install electrical junction box and electrical conduit at feed locations.



Mounting Locations

X = Luminaire section length
(X Measurements **do not include** endcaps)

- Luminaire mounting holes sized for 1/4"-20 hardware (by others).
- Refer to Record Drawings and building plans to determine exact mounting, suspension points, and power feed locations.
- **CRITICAL:** Drywall or weak paneling must be secured to support blocking (studs) around rough-in opening in wall/ceiling.



Mounting Option 1

- Flex Conduit (by others)
- 1/4" Washer (by others)
- 1/4"-20 Nut (by others)

Mounting Option 2

- Caddy Clip (provided)
- 1/4" Washer (by others)
- 1/4"-20 Nut (by others)

Mounting Option 3

- Flex Conduit (by others)
- 1/4"-20 Lag Bolt (by others)

H04 Surface Mount Installation Instructions

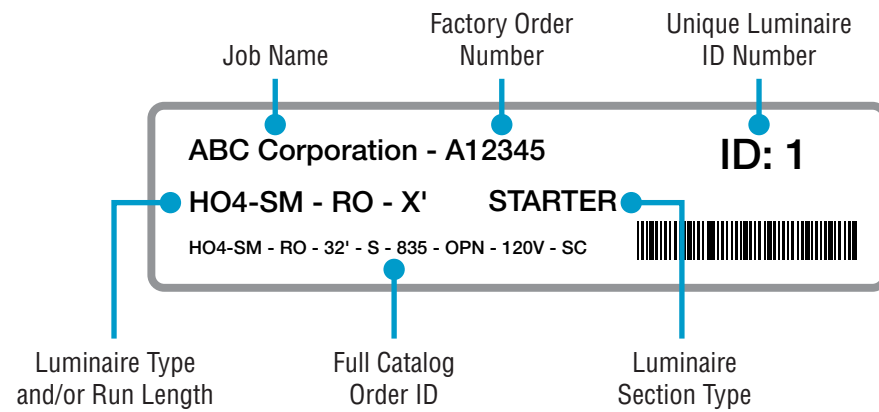
Step 2 - Identification & Preparation

A. Identify Luminaires



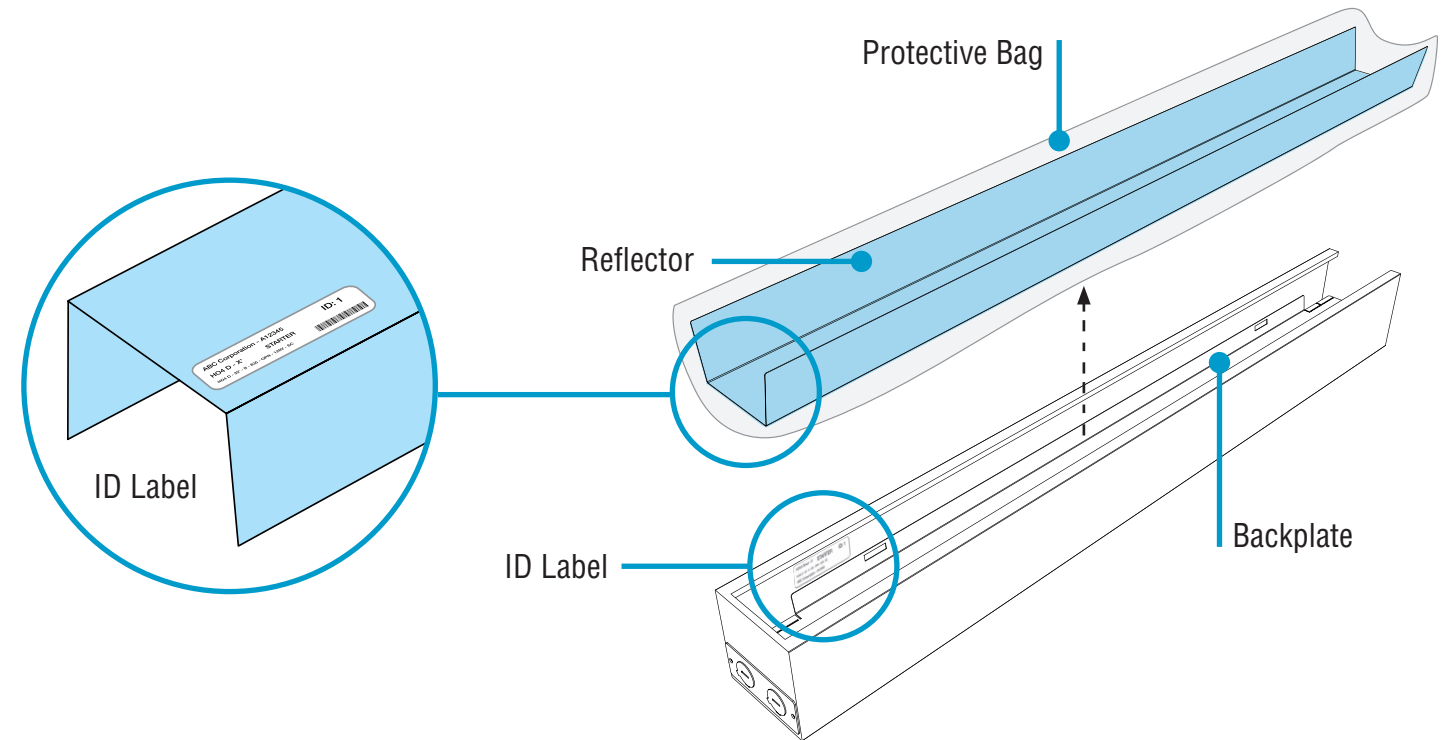
CAUTION

Arrange luminaires in order according to ID# at their install locations.



- Identify all luminaires by their ID label that can be found on the box, and inside the luminaire.
- Remove all luminaires from their box.
- **NOTE:** Exact location of labels in these areas may vary.
- Refer to Record Drawings that can be found in the hardware kit.

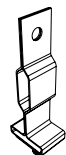
B. Remove Reflectors Top-Down View



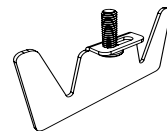
- Carefully remove all reflectors, keeping them inside their protective bags.
- Set aside all reflectors to prevent from getting dirty or damaged.
- Ensure reflectors can be clearly identified back to its corresponding luminaire.

Kitted Hardware

- Finelite has provided items listed here, with their Finelite part numbers. These items can be found in separate boxes shipped with the luminaire.
- Account for all parts and set aside until they are needed.
- All other hardware needed for this installation will be by others.



Caddy Clip
 C1 Ceiling - Part# 94001
 C2 Ceiling - Part# 94020
 C3 Ceiling - Part# 94029
Mounting Options & Locations
 p. 2, Step 1

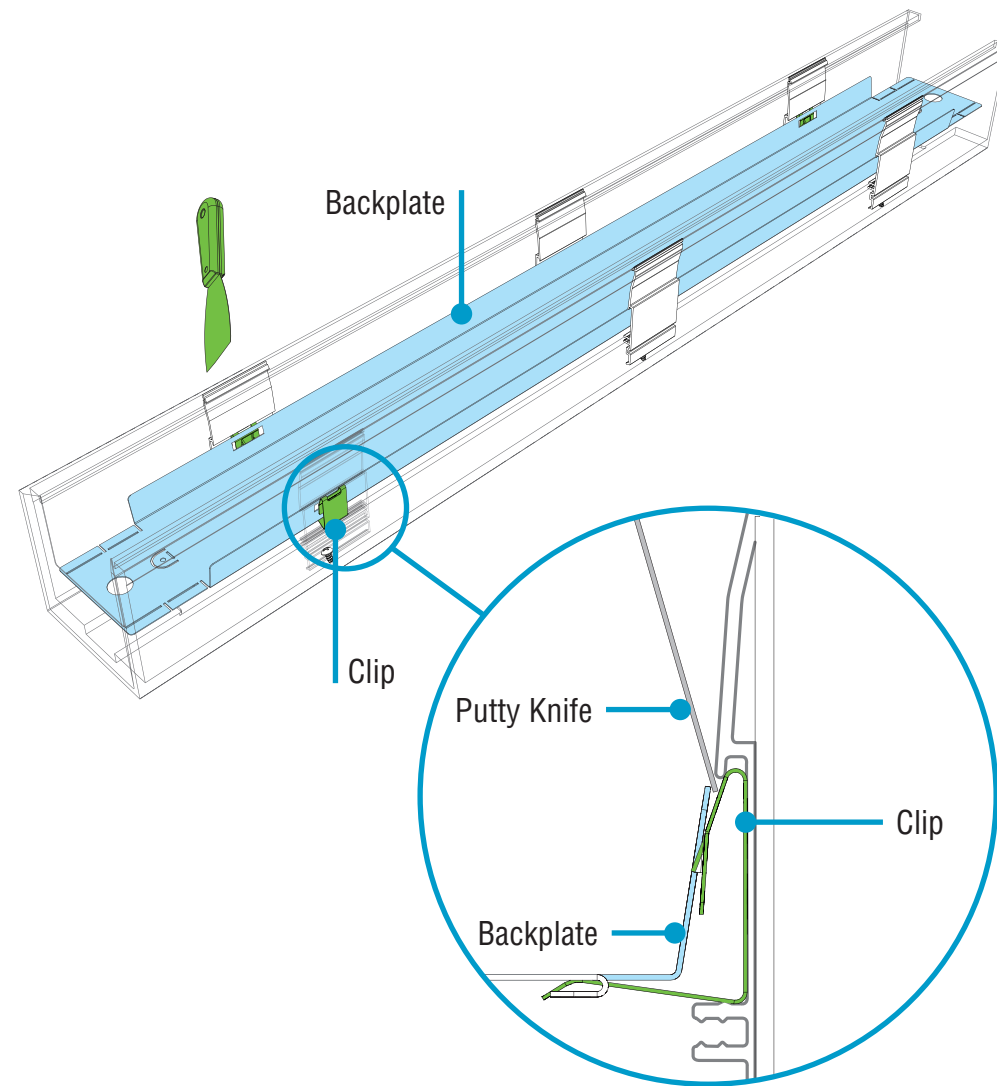


Yoke Bracket
 Part# 45042
#10-32 x 5/8" Screw
 Part# 94139
Securing Luminaire Joints
 p. 8, Step 6

H04 Surface Mount Installation Instructions

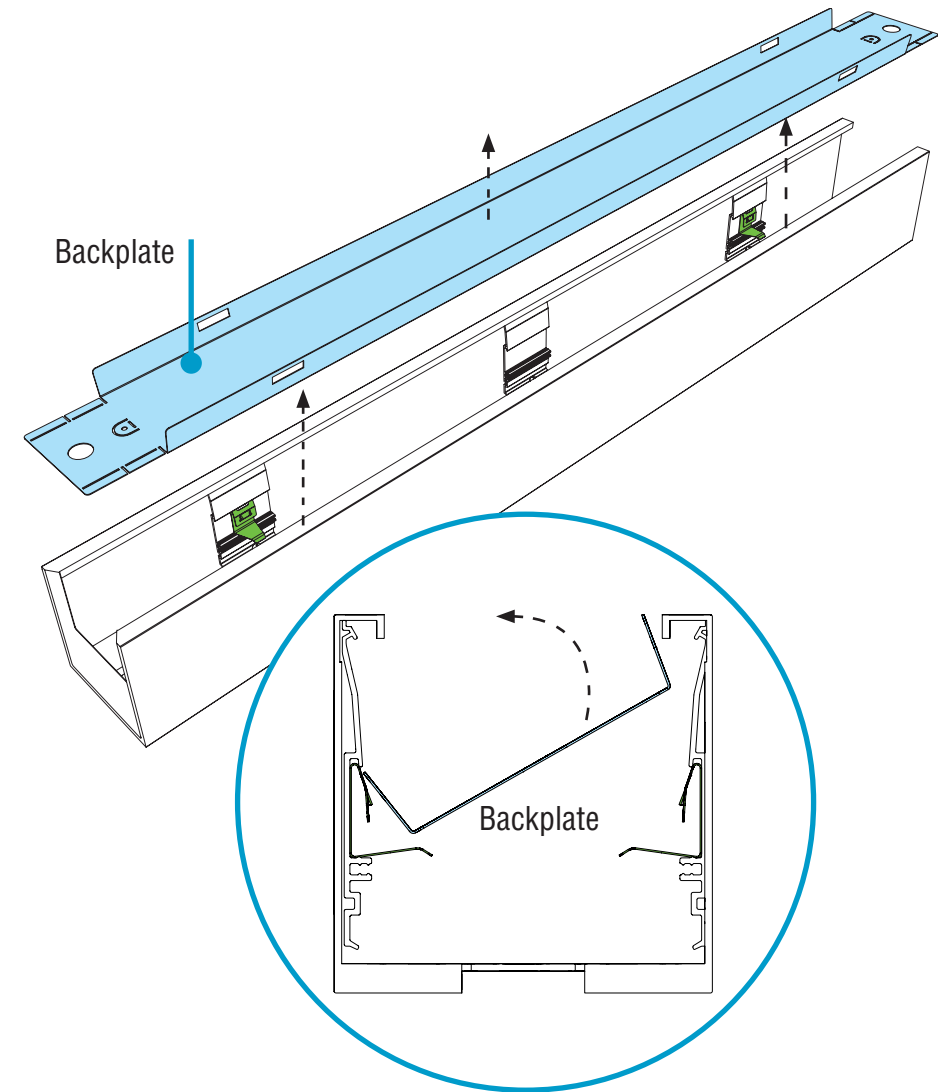
Step 3 - Opening Luminaire

A. Release Backplate Top-Down View



- **FOR SENSOR:** If luminaire contains a sensor at endcap, refer to page 2 of Sensor Addendum before opening luminaire.
- Only remove backplates at ends of the luminaire for access to mounting holes.
- Use putty knife to slip behind backplate edges and release backplates from clips.

B. Remove Backplate Top-Down View



- Rotate backplate out of luminaire and set aside to prevent from getting dirty or damaged.

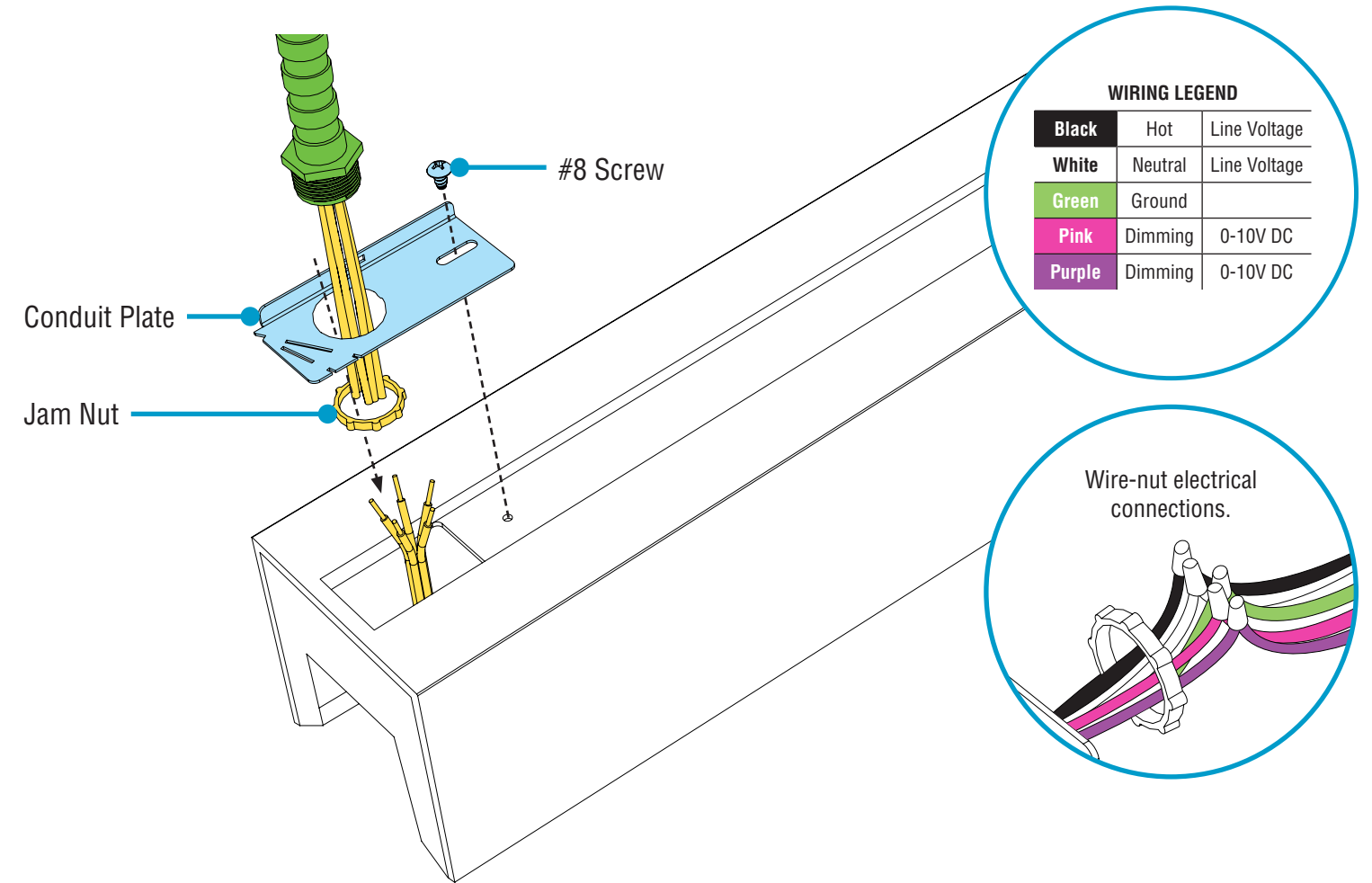
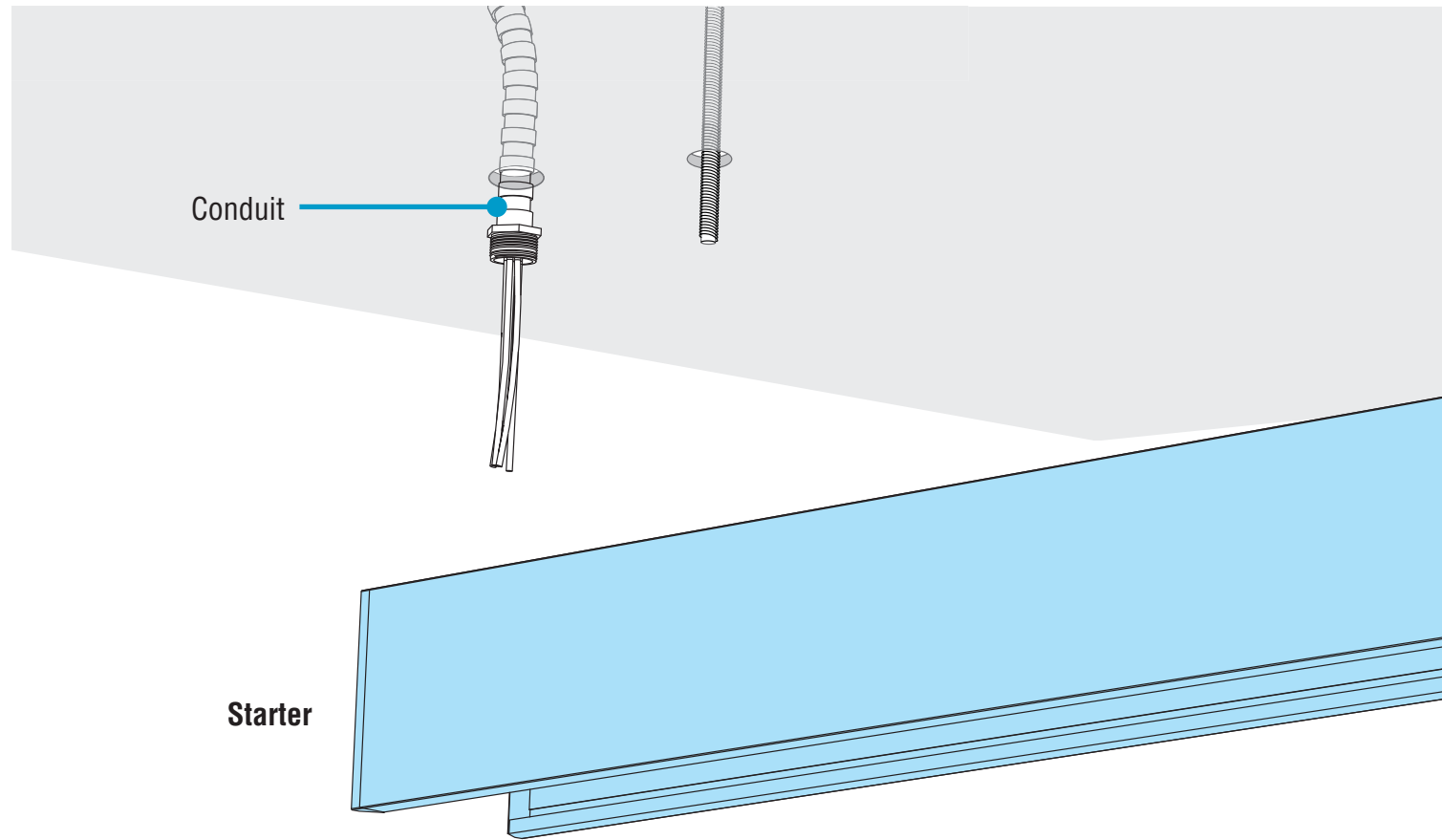


Effortless
Access

H04 Surface Mount Installation Instructions

Step 4 - Mounting Starter to Structure

A. Make Electrical Connections Bottom-Up View



- While properly supporting luminaire, maneuver luminaire near wall/ceiling opening.
- Make electrical connections at **TOP** of luminaire.

- Remove screw holding conduit plate.
- Install conduit and nut onto conduit plate.
- Wire-nut electrical connections. See wiring legend above.
- Reinstall conduit plate and screw. Do not damage any wires.

CONTINUED

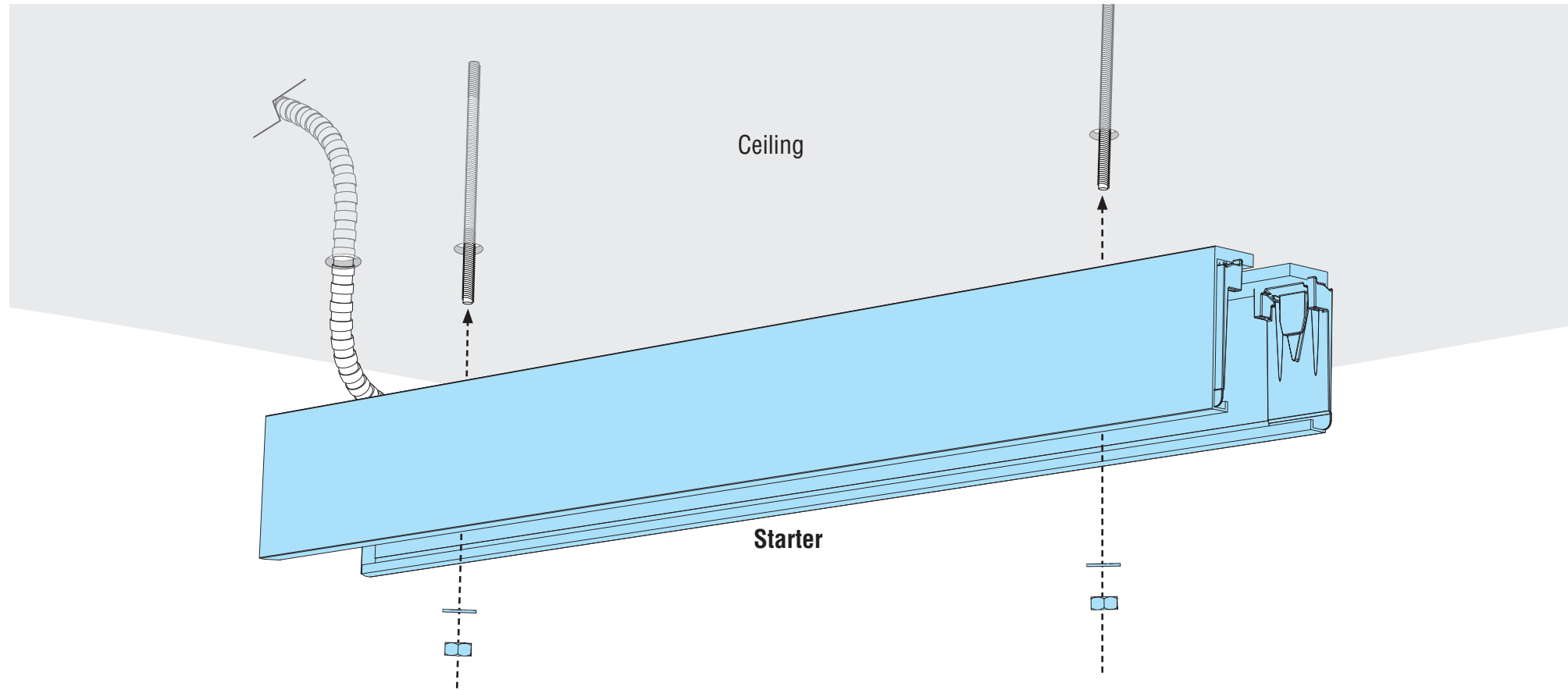


0-10V
Dimming

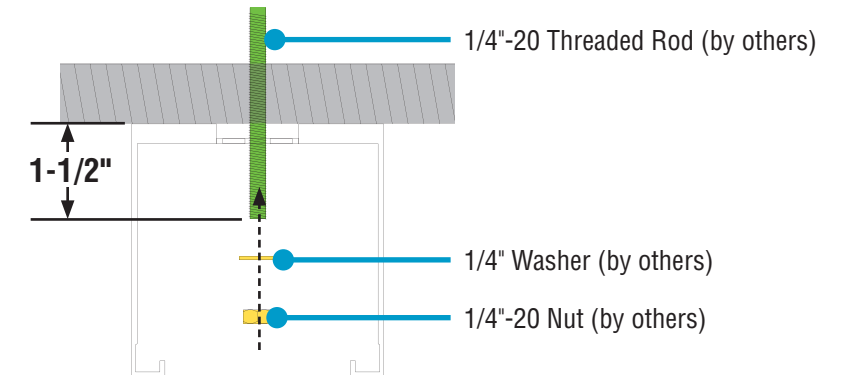
H04 Surface Mount Installation Instructions

Step 4 - Mounting Starter to Structure

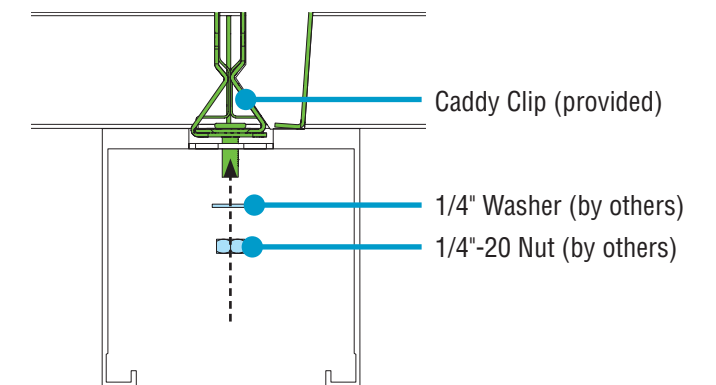
B. Mount Starter to Structure Bottom-Up View



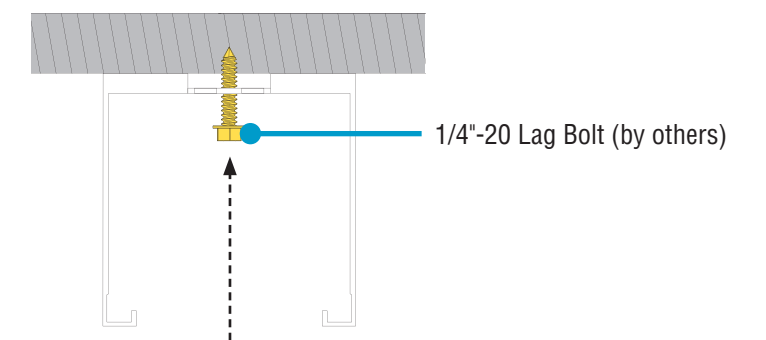
Option 1 (Shown) - Mount to Threaded Rod



Option 2 - Mount to T-Bar



Option 3 - Mount to Structure



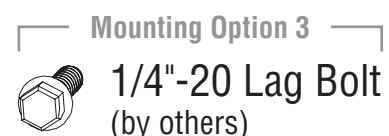
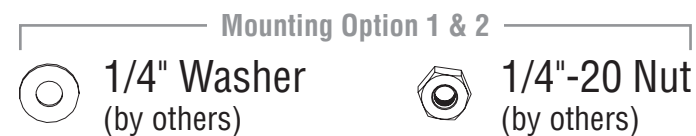
Option 1 (Shown) - Mount to Threaded Rod

Option 2 - Mount to T-Bar

- Align mounting holes with hanging hardware.
- Install 1/4"-20 nut and 1/4"-20 washer onto 1/4"-20 threaded rod.
- **CRITICAL:** If installing a joiner luminaire, leave nut loose and proceed to Step 5.
- If there is no joiner/ender, tighten nuts fully and proceed to Step 7.

Option 3 - Mount to Structure

- Place luminaire onto wall/ceiling and mount to structure support with hardware appropriate for the structure type.
- Support blocking² must not exceed distance to wall/ceiling surface¹.
- **CRITICAL:** If installing a joiner luminaire, leave loose and proceed to Step 5.
- If there is no joiner/ender, tighten fully and proceed to Step 7.



¹ Wall/ceiling surface = drywall, wood, concrete or masonry, metal panels, tile, etc.

² Support blocking = Wooden beams/studs, sheet metal framing beams, steel beams, concrete beams, etc. Use hardware appropriate to the beam material.

H04 Surface Mount Installation Instructions

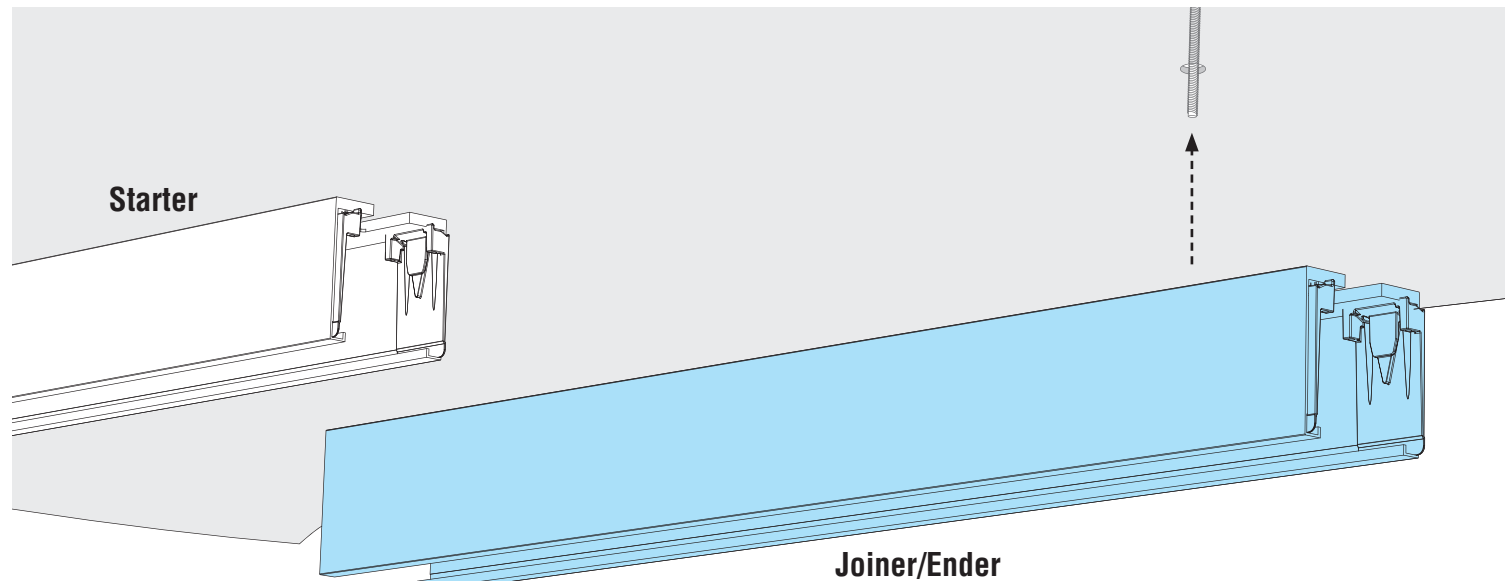
Step 5 - Joining Luminaires

A. Mount Joiner/Ender to Structure Bottom-Up View



CAUTION

DO NOT attempt to join luminaires together on the floor. Damage may result when lifted. Follow these instructions.



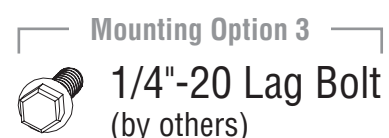
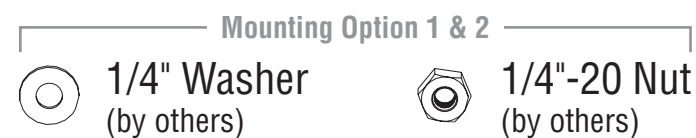
Option 1 (Shown) - Mount to Threaded Rod

Option 2 - Mount to T-Bar

- **FOR SENSOR:** If luminaire contains a sensor at joint, refer to page 4 of Sensor Addendum before joining luminaires.
- Align mounting holes with hanging hardware.
- Install 1/4"-20 nut and 1/4"-20 washer onto 1/4"-20 threaded rod.
- **CRITICAL:** If installing another joiner luminaire, leave nut loose.
- If there is no additional joiner/ender, then tighten nuts fully.

Option 3 - Mount to Structure

- **FOR SENSOR:** If luminaire contains a sensor at joint, refer to page 4 of Sensor Addendum before joining luminaires.
- Mount to structure support with hardware appropriate for the structure type.
- **CRITICAL:** If installing another joiner luminaire, leave nut loose.
- If there is no additional joiner/ender, then tighten nuts fully.

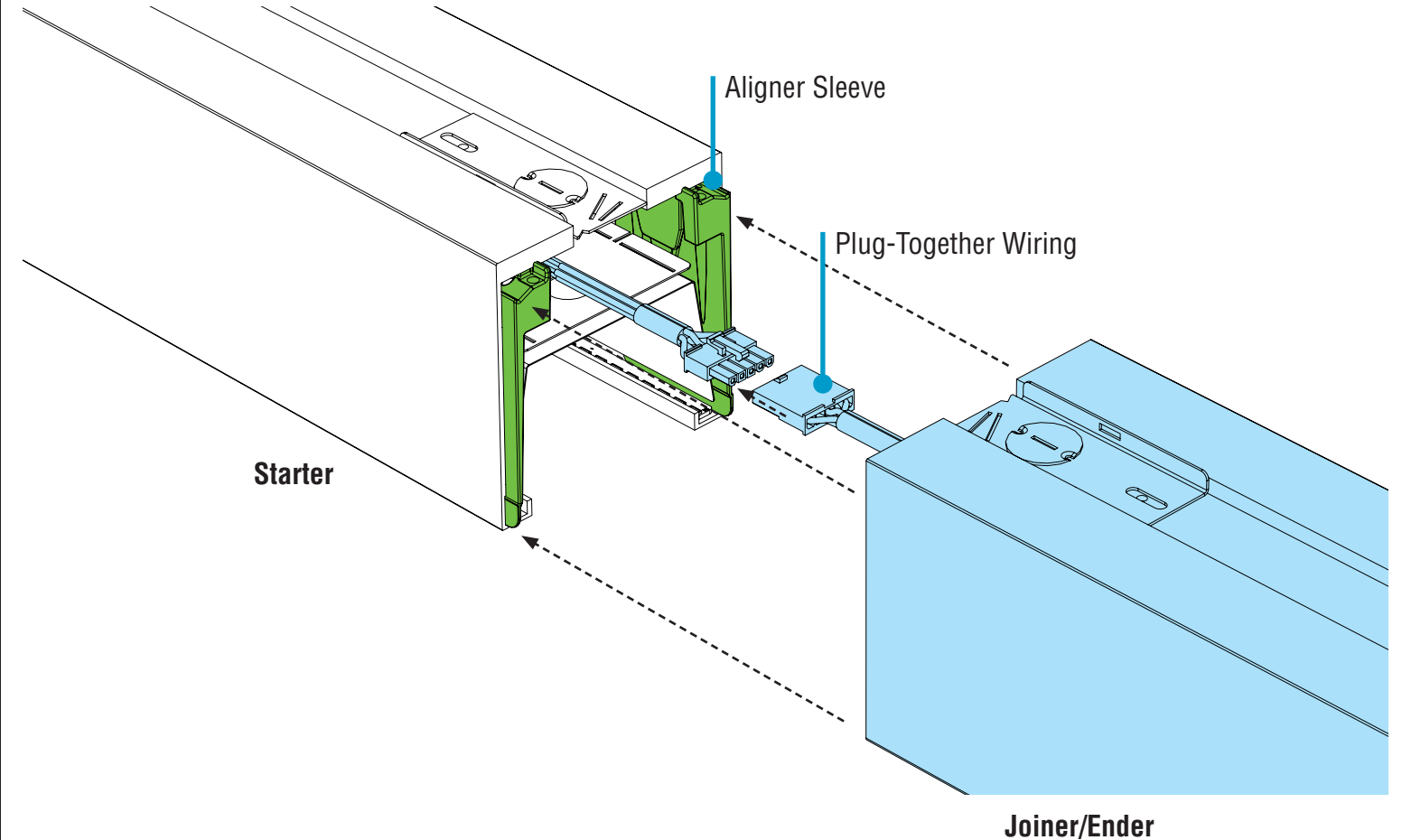


B. Make Electrical Connections Top-Down View



CAUTION

Joiner luminaire is not yet secure. Ensure it does not slide off the starter luminaire.



- Connect plug-together wiring.
- Align joiner/ender with aligner sleeves on starter and slide together. Be careful not to damage any wiring.

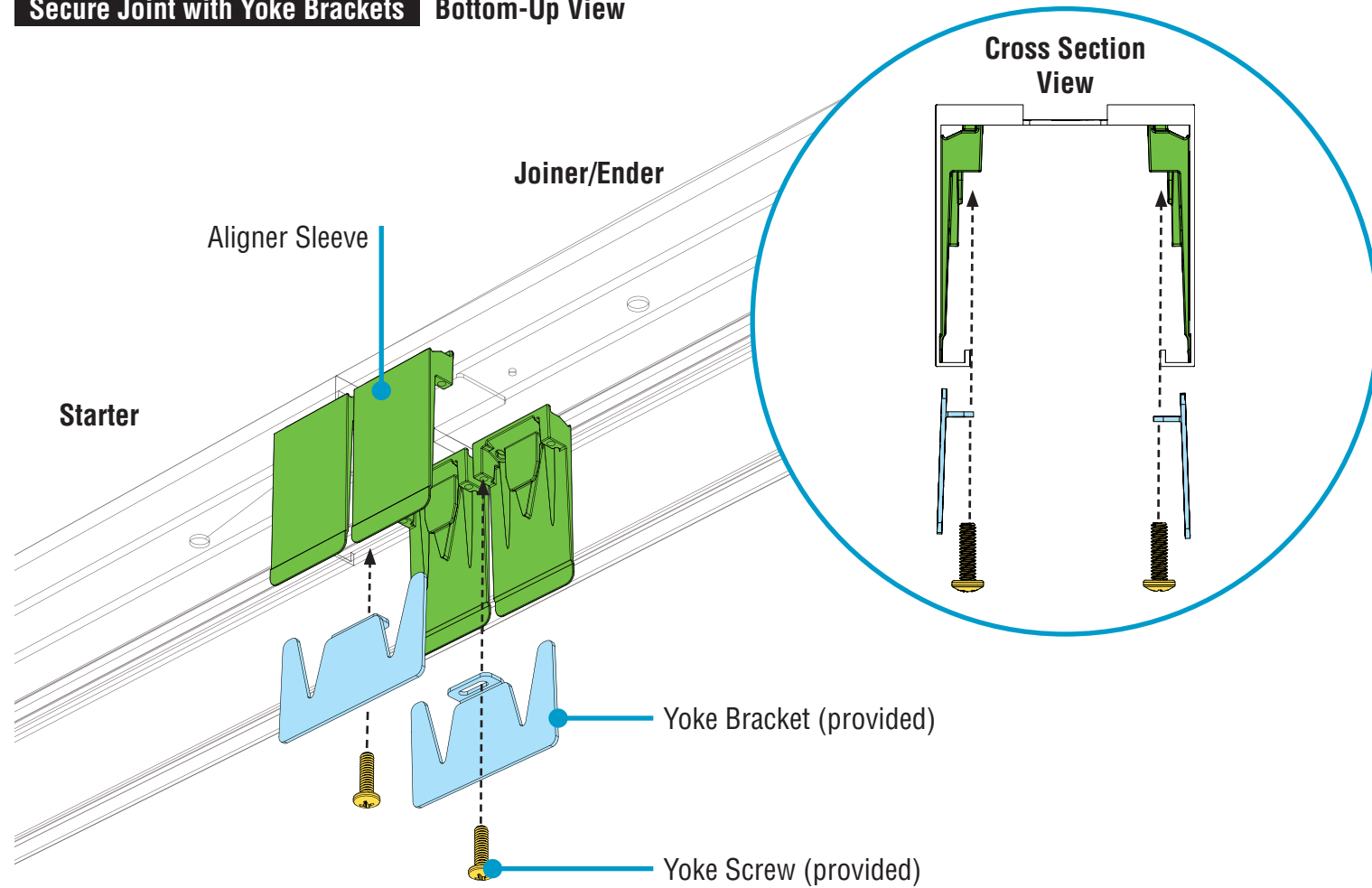


Simple
Plug-Together
Wiring

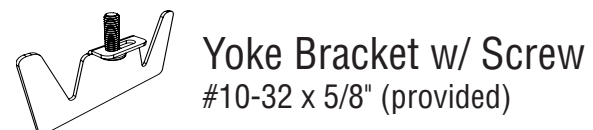
H04 Surface Mount Installation Instructions

Step 6 - Securing Luminaire Joints

Secure Joint with Yoke Brackets Bottom-Up View

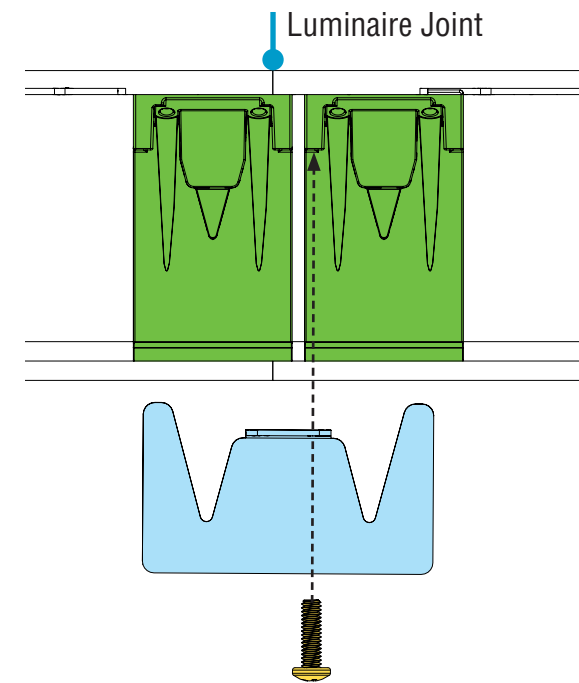


- Before installing yoke brackets, ensure the joining ends of luminaires meet flush and square.
- **CRITICAL:** Ensure yoke brackets properly engage with aligner sleeves.
- Secure joint by threading (but not yet tightening) yoke screws through yoke brackets and into the aligner sleeves.
- Tighten yoke screws¹ until joint seam of luminaires is closed.

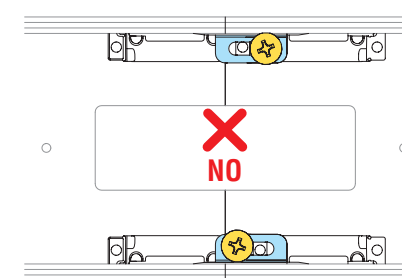


¹ Screwdriver with 6" bit required.

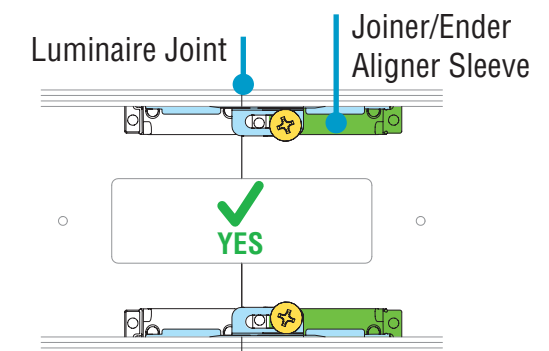
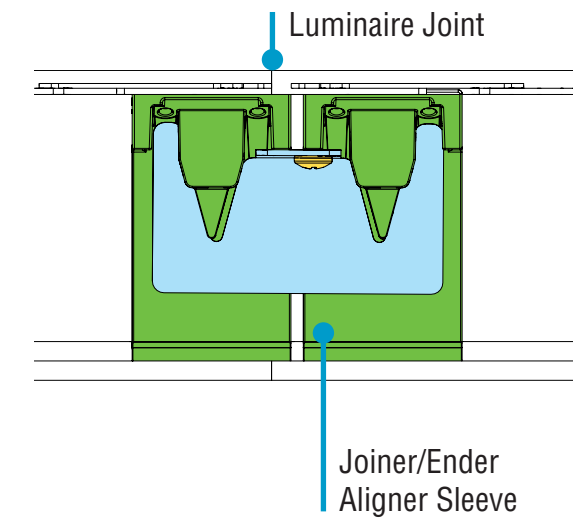
IN ALIGNMENT



YOKE SCREW ALIGNMENT Bottom-Up View



CORRECTLY INSTALLED



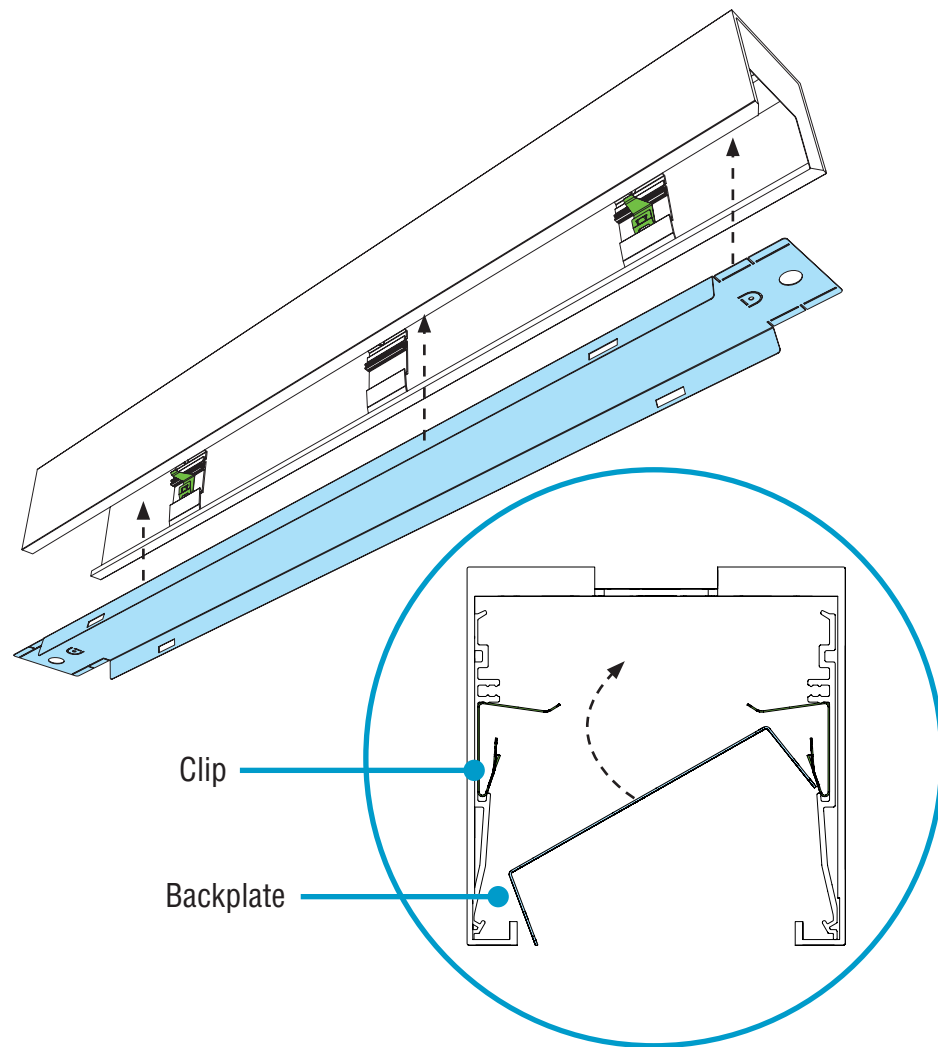
NOTE: Yoke screws should be installed directly across from each other, not diagonally, and in holes furthest from the joint line. One yoke screw per one yoke bracket.



H04 Surface Mount Installation Instructions

Step 7 - Closing Luminaires

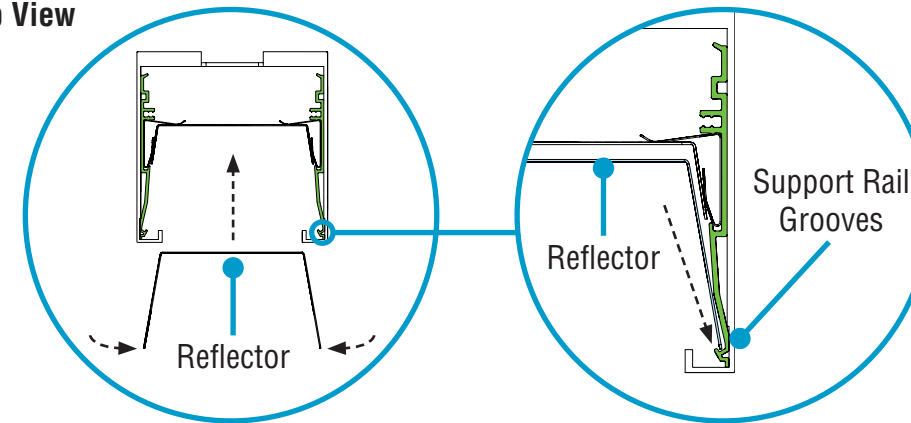
A. Replace Backplate Bottom-Up View



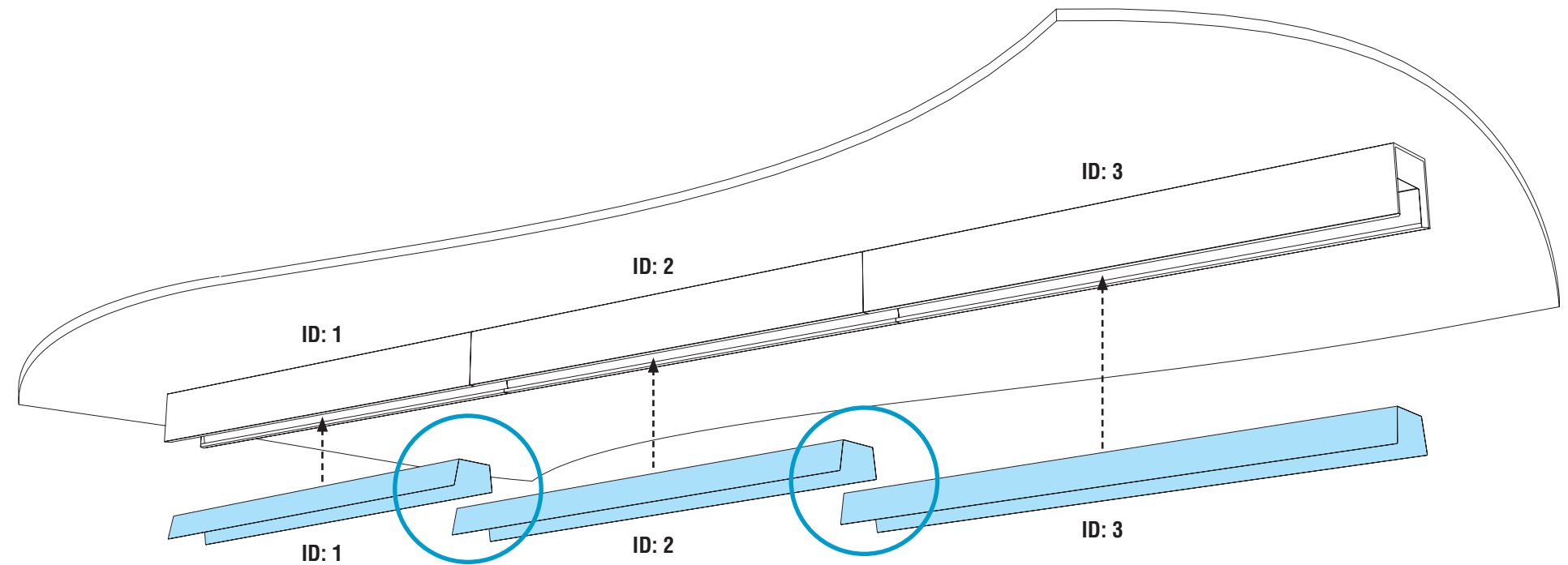
- Now that joint is secured, tighten any nuts and washers left loose on threaded rods at all suspension points.
- Reinstall backplates by rotating into luminaire body and snap into clips.
- **FOR SENSOR:** If luminaire contains a sensor at endcap, refer to page 3 of Sensor Addendum. If luminaire contains a sensor at joint, refer to page 6 of Sensor Addendum.

B. Final Step - Install Reflectors Bottom-Up View

CAUTION Wear gloves to keep reflector surface clean. Be careful not to crease material. Make all adjustments to placement before settling on final position of reflector.



NOTE: Joining reflectors will overlap. Overlap amount should not exceed 1/4".



- **NOTE:** If your installation includes a battery backup, please see addendum (98333) that should be included with your kitting package.
- Remove reflectors from protective plastic bag prior to installing.
- **CRITICAL:** Be sure to install correct reflector to its corresponding luminaire ID.
- Install reflector by squeezing in sides and inserting into luminaire body.

- Ensure reflector is pulled down so that its bottom edges catch the groove of the support rail.
- **NOTE:** Reflectors installed in joiner and ender luminaires are 1/4" longer. When installing the reflectors, overlap the reflector of the previous luminaire section by 1/4".
- Turn power on to luminaires.



Reflector Installation