

# H04 Recessed Spackle & Visible Flange with Mitered Corners

## Installation Instructions

### Overview

#### NOTES

- Ensure that reflectors do not get dirty or damaged.
- If luminaire contains a sensor refer to the Sensor Addendum.
- All power connections should be installed according to local/national codes by a Certified Electrician.
- This installation requires **proper support** as each luminaire is being installed.
- **DO NOT attempt to join luminaires together on the floor.** Damage may result when lifted.



HELPFUL  
VIDEOS



Effortless  
Access



0-10V  
Dimming



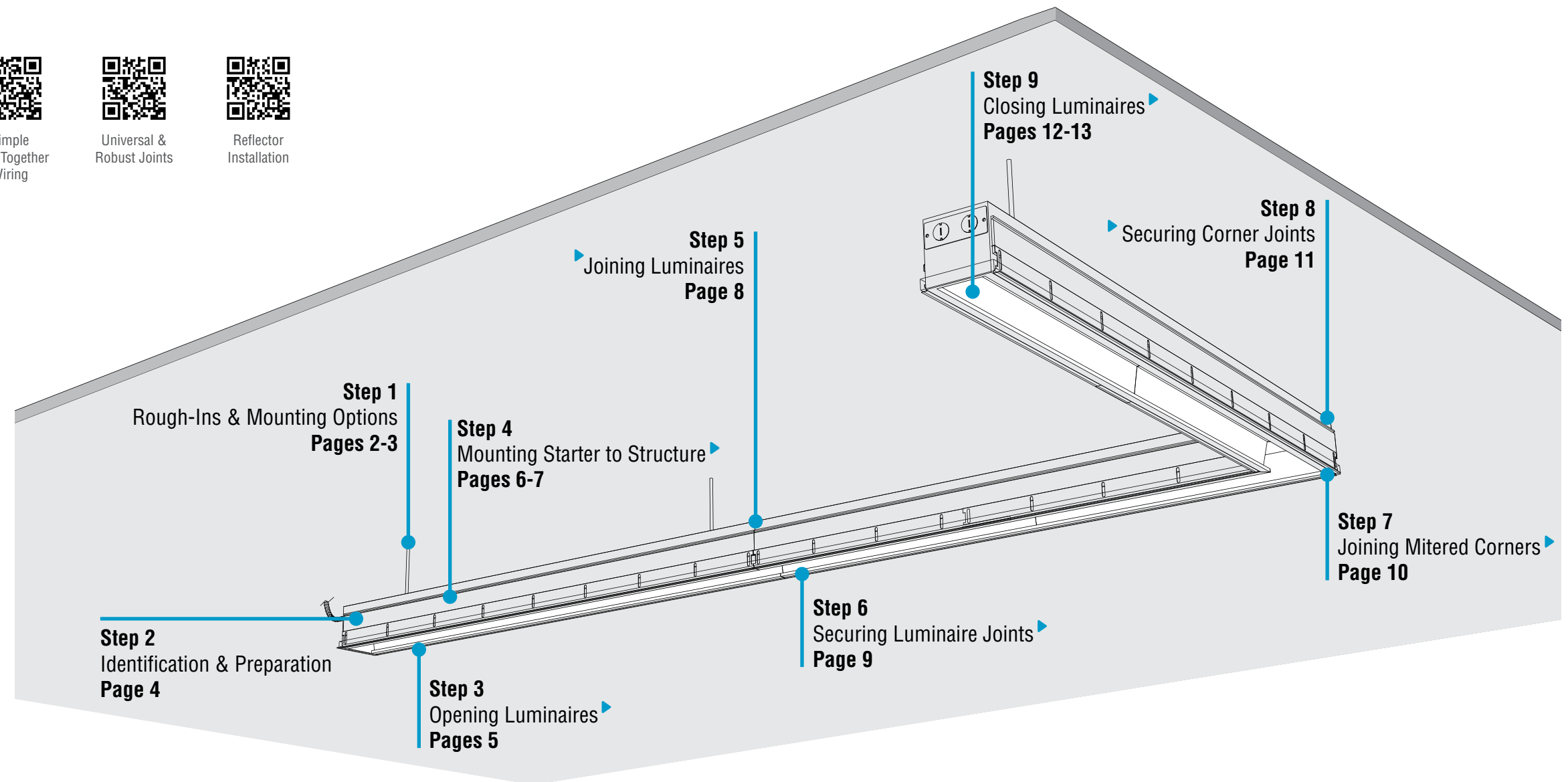
Simple  
Plug-Together  
Wiring



Universal &  
Robust Joints



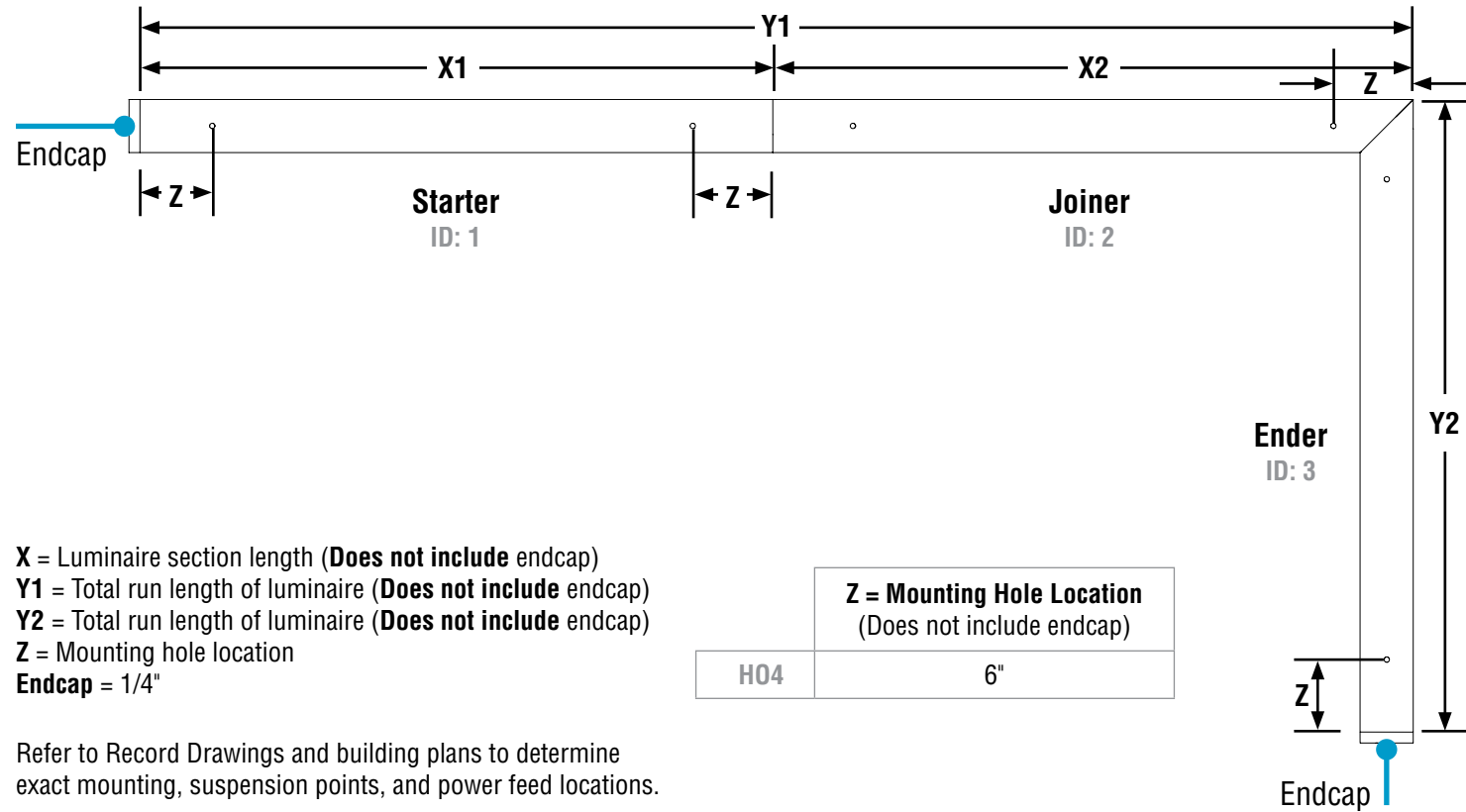
Reflector  
Installation



# H04 Recessed Spackle & Visible Flange with Mitered Corners Installation Instructions

## Step 1 - Rough-Ins & Mounting Options

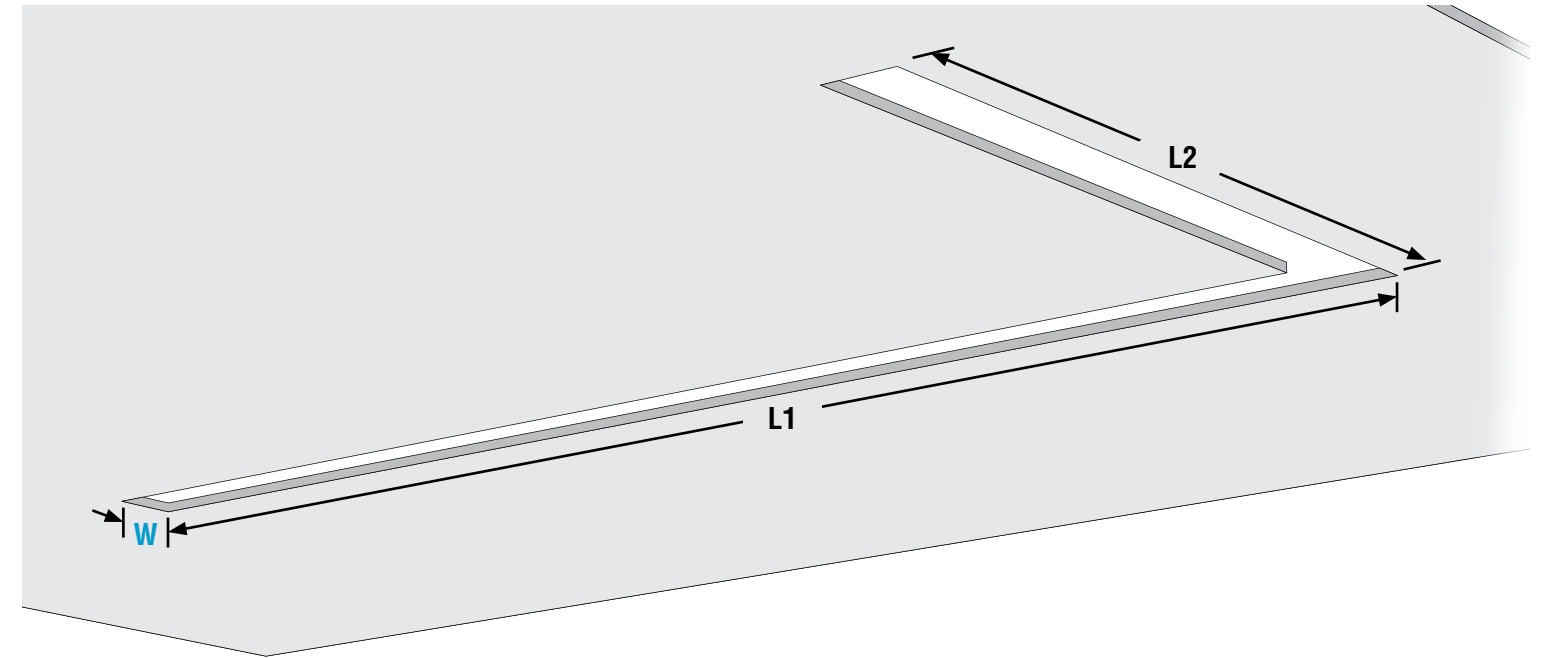
### Total Run Length



X = Luminaire section length (Does not include endcap)  
 Y1 = Total run length of luminaire (Does not include endcap)  
 Y2 = Total run length of luminaire (Does not include endcap)  
 Z = Mounting hole location  
 Endcap = 1/4"

Refer to Record Drawings and building plans to determine exact mounting, suspension points, and power feed locations.

### Rough-In Lengths



### Rough-In Widths



W = Rough-In Width*		
	Spackle Flange	Visible Flange
H04	4-7/8"	4-1/4"

\* Tolerance +/- 1/16"

- Use rough-in Length & Width dimension and Record Drawings to determine rough-in measurements.
- Build wall/ceiling with rough-in according to rough-in dimensions.
- **CRITICAL:** Drywall or weak paneling must be secured to blocking (studs) around rough-in opening in the wall/ceiling.

L1 & L2 = Total Run Rough-In Length*				
	Spackle Flange		Visible Flange	
	L1	L2	L1	L2
H04	Y1 + 5/8"	Y2 + 5/8"	Y1 + 1/2"	Y2 + 1/2"

\* Tolerance +/- 1/16"

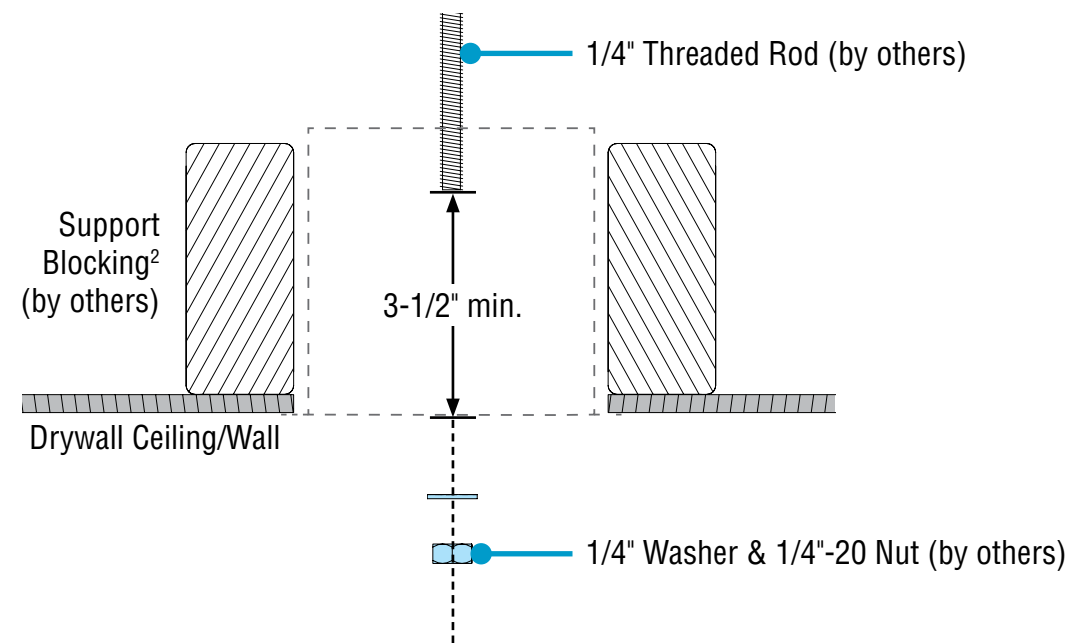
CONTINUED

# H04 Recessed Spackle & Visible Flange with Mitered Corners Installation Instructions

## Step 1 - Rough-Ins & Mounting Options

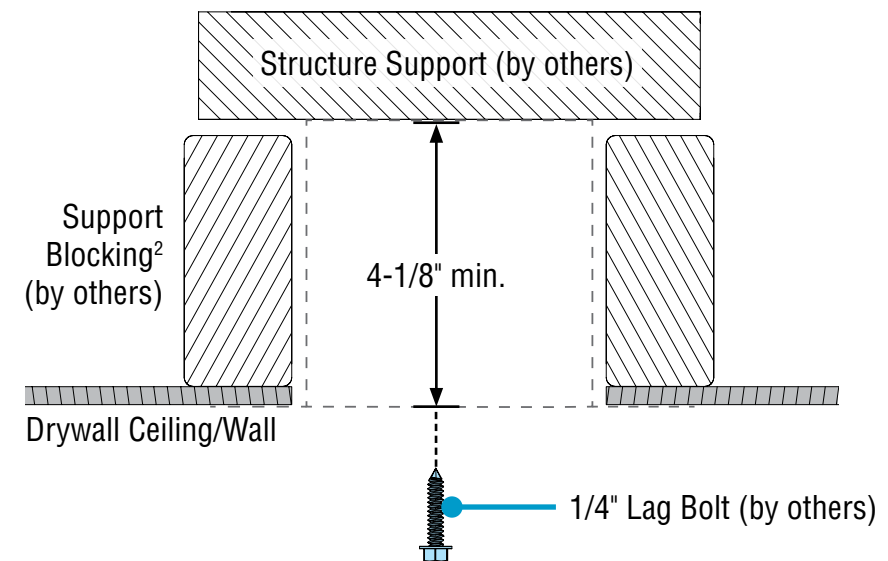
### Mounting Options

#### Option 1 - Mount to Threaded Rod

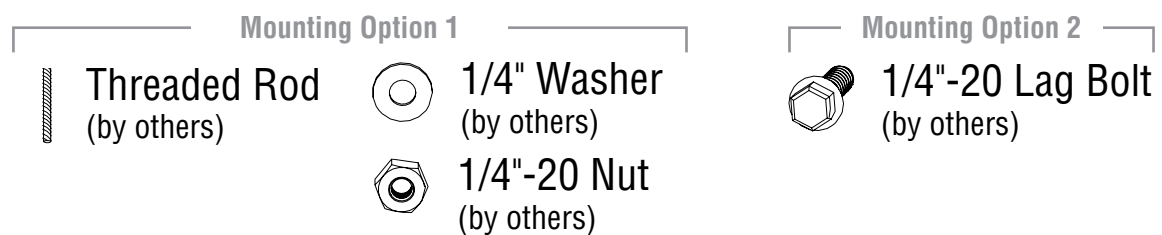


- Luminaire mounting holes sized for 1/4"-20 threaded rod.
- Distance from threaded rod to wall/ceiling surface<sup>1</sup> must be a minimum of 3-1/2".
- Refer to Record Drawings to determine mounting hole locations on luminaires and install threaded rods to structure.

#### Option 2 - Mount to Structure



- Distance from support block to wall/ceiling surface<sup>1</sup> must be a minimum of 4-1/8".
- Refer to Record Drawings to determine mounting hole locations on luminaires and install support blocking<sup>2</sup> to structure.



<sup>1</sup> Wall/ceiling surface = drywall, wood, concrete or masonry, metal panels, tile, etc.

<sup>2</sup> Support blocking = Wooden beams/studs, sheet metal framing beams, steel beams, concrete beams, etc. Use hardware appropriate to the beam material.

# H04 Recessed Spackle & Visible Flange with Mitered Corners Installation Instructions

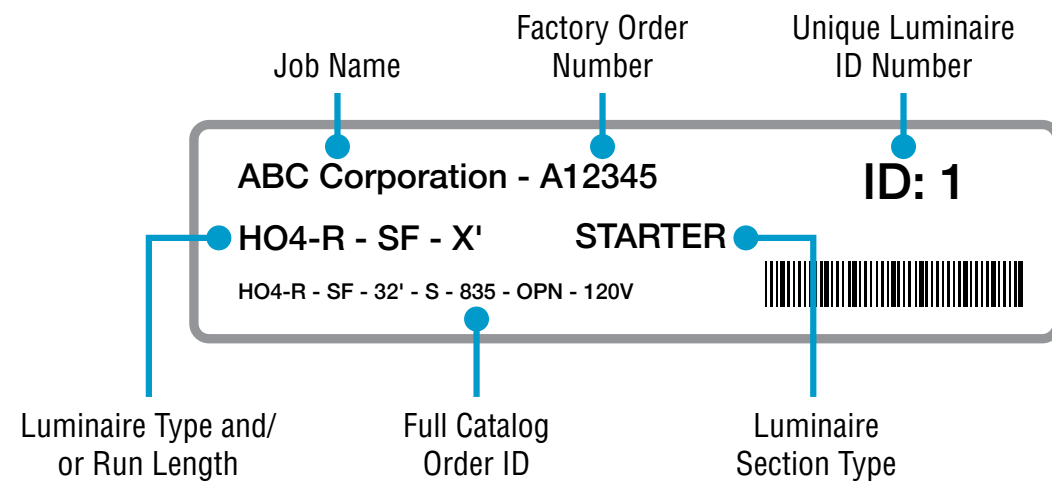
## Step 2 - Identification & Preparation

### A. Identify Luminaires



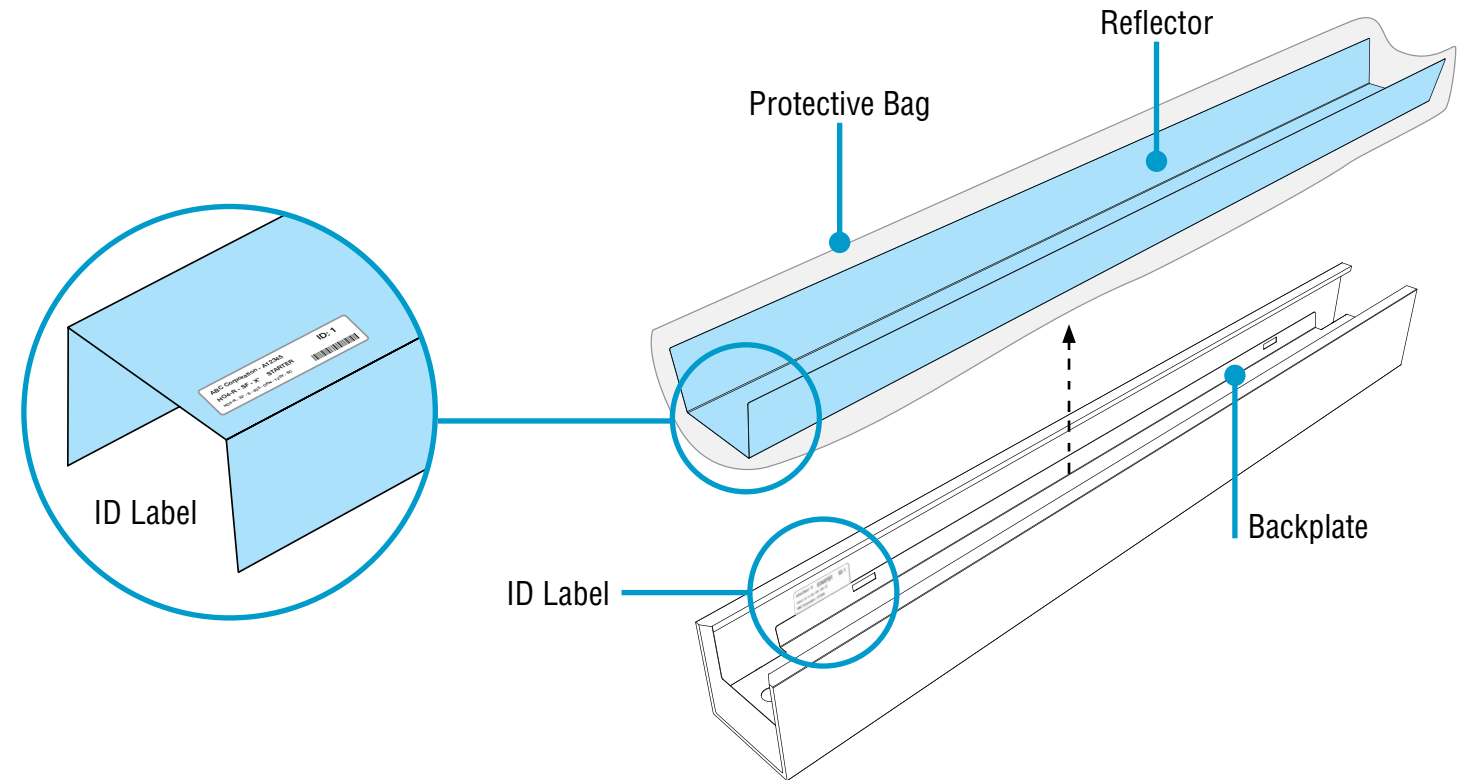
**CAUTION**

Arrange luminaires in order according to ID# at their install locations.



- Identify all luminaires by their ID label that can be found on the box, the reflector, and inside the luminaire.
- Remove all luminaires from their box.
- **NOTE:** Exact location of labels in these areas may vary.

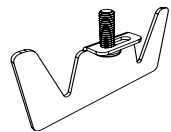
### B. Remove Reflectors Top-Down View



- Carefully remove all reflectors, keeping them inside their protective bags.
- Set aside all reflectors to prevent from getting dirty or damaged.
- Ensure reflectors can be clearly identified back to its corresponding luminaire.

### Kitted Hardware

- Finelite has provided items listed here, with their Finelite part numbers. These items can be found in separate boxes shipped with the luminaire.
- Account for all parts and set aside until they are needed.
- All other hardware needed for this installation will be by others.



#### Yoke Bracket

Part# 45042

#### #10-32 x 5/8" Screw

Part# 94144

Securing Luminaire Joints

p. 9, Step 6

Securing Corner Joints

p. 11, Step 8

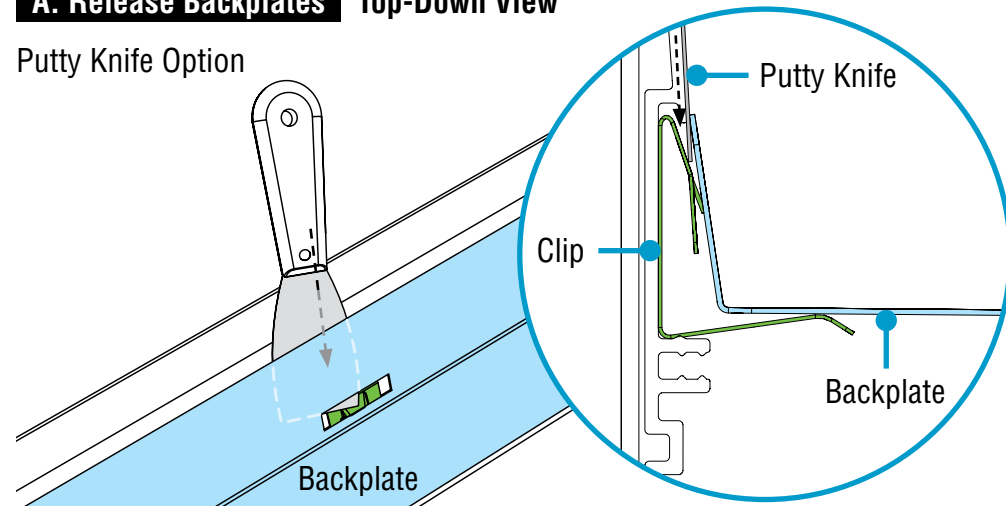
# H04 Recessed Spackle & Visible Flange with Mitered Corners

## Installation Instructions

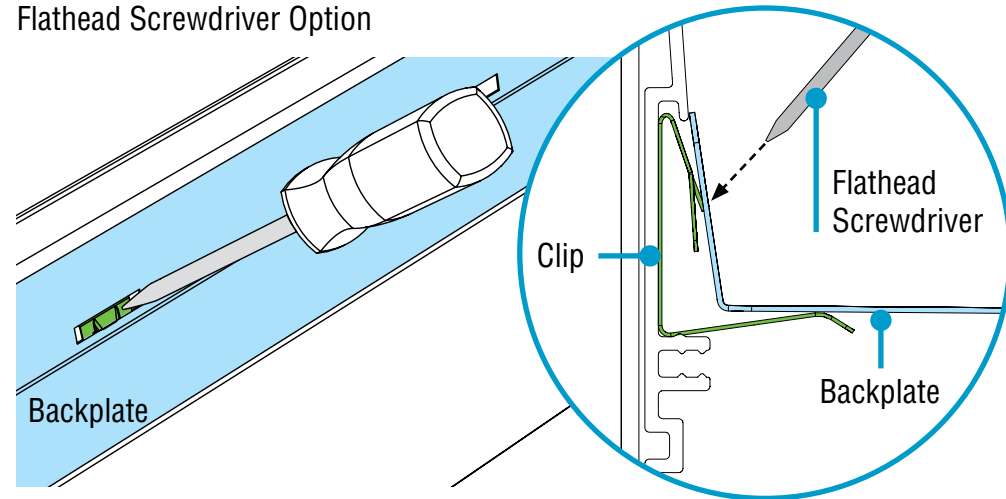
### Step 3 - Opening Luminaires

#### A. Release Backplates Top-Down View

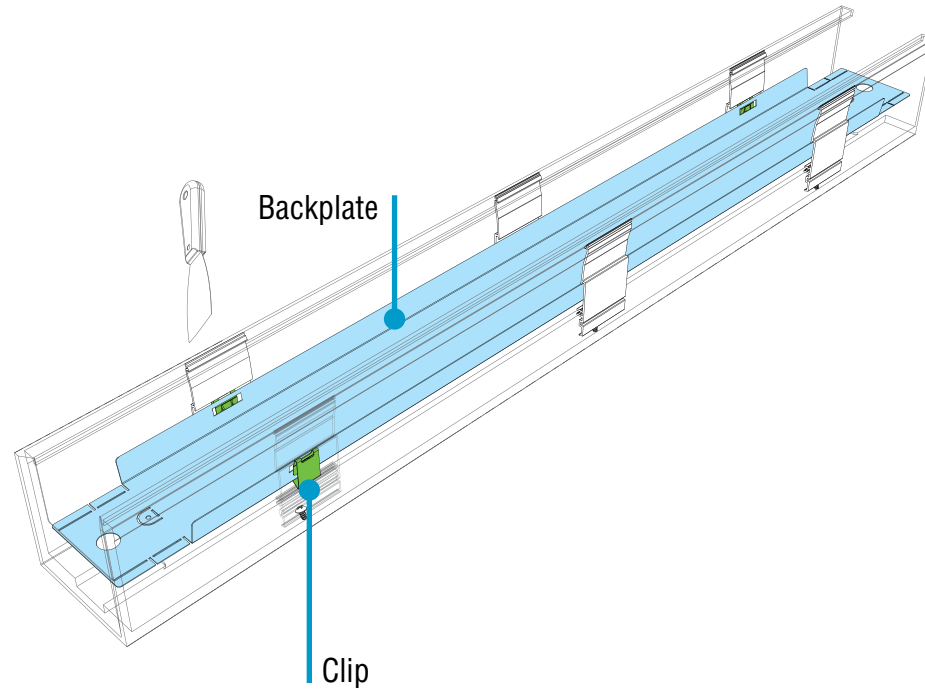
Putty Knife Option



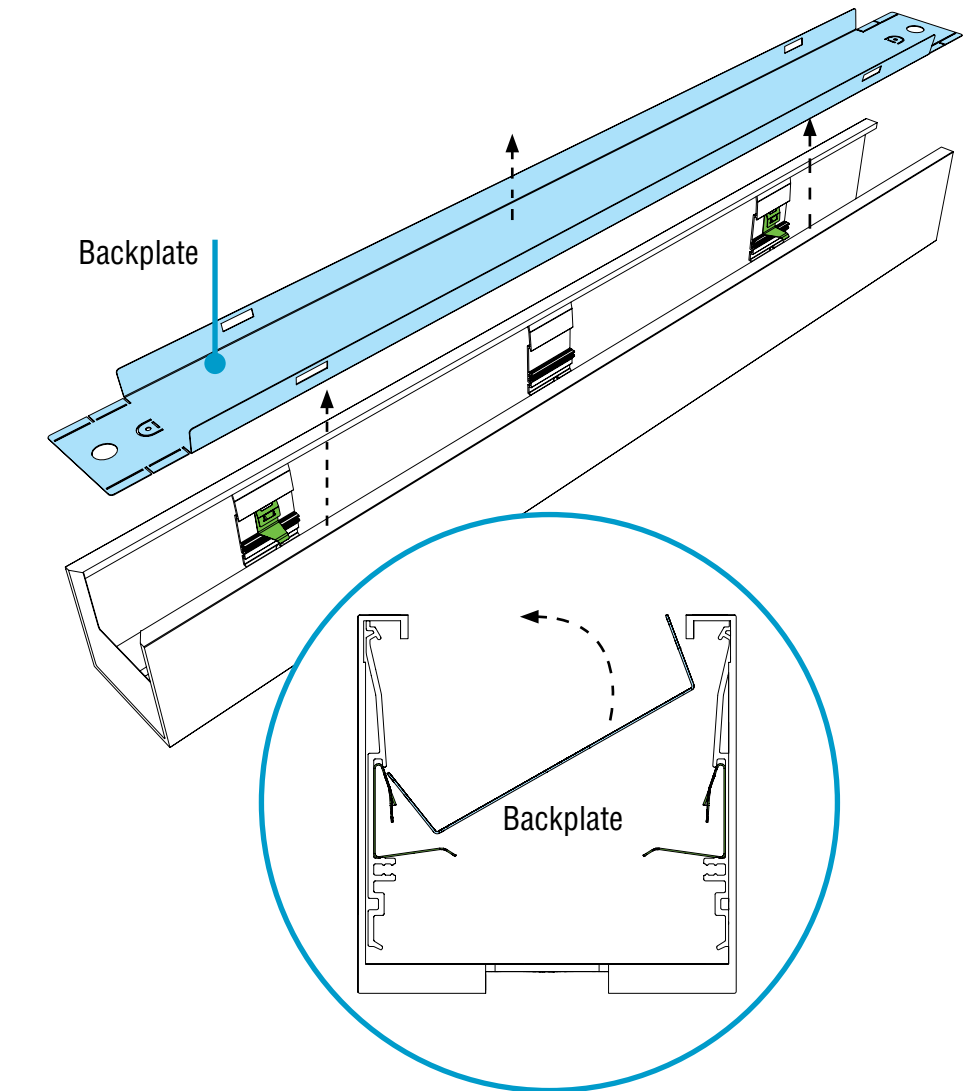
Flathead Screwdriver Option



- **FOR SENSOR:** If luminaire contains a sensor at endcap, refer to page 2 of Sensor Addendum before opening luminaire.
- Open all backplates for access to mounting points.
- Release the backplates from clips by sliding the blade of a putty knife behind backplate edges.
- To use a flathead screwdriver: From inside backplate, press end of screwdriver against the clip until the backplate is released.



#### B. Remove Backplates Top-Down View



- Rotate backplate out of luminaire and set aside to prevent from getting dirty or damaged.



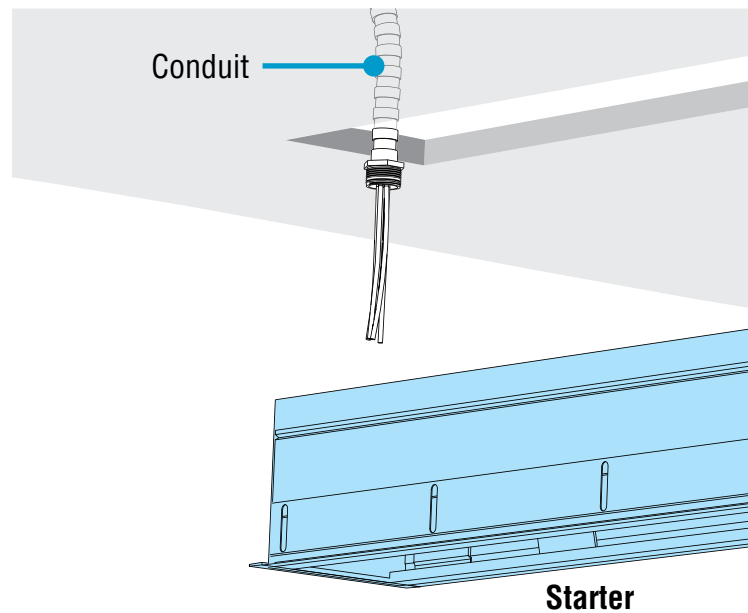
Effortless  
Access

# H04 Recessed Spackle & Visible Flange with Mitered Corners

## Installation Instructions

### Step 4 - Mounting Starter to Structure

#### A. Make Electrical Connections Bottom-Up View



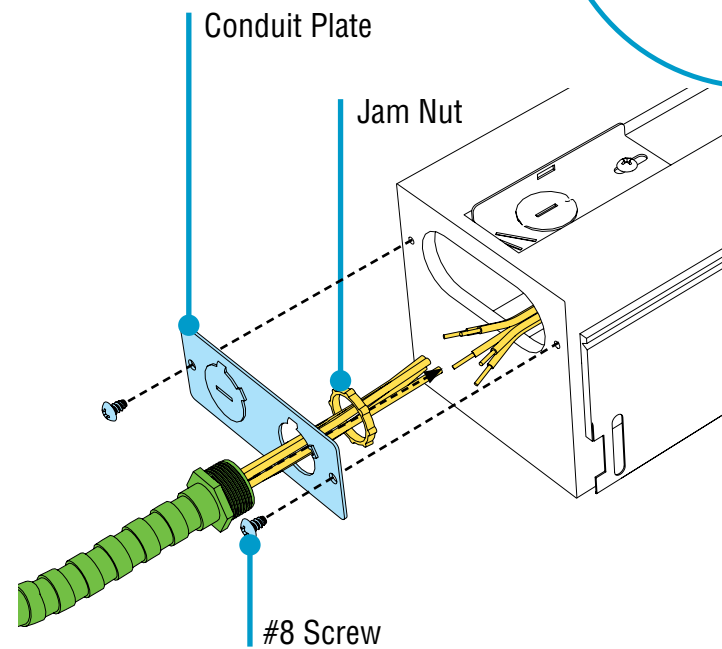
- While properly supporting luminaire, maneuver luminaire near wall/ceiling opening.
- Make electrical connections at **ENDCAP**, at **TOP** or with a **SPLICE BOX**.

#### Electrical Connection Options

##### WIRING LEGEND

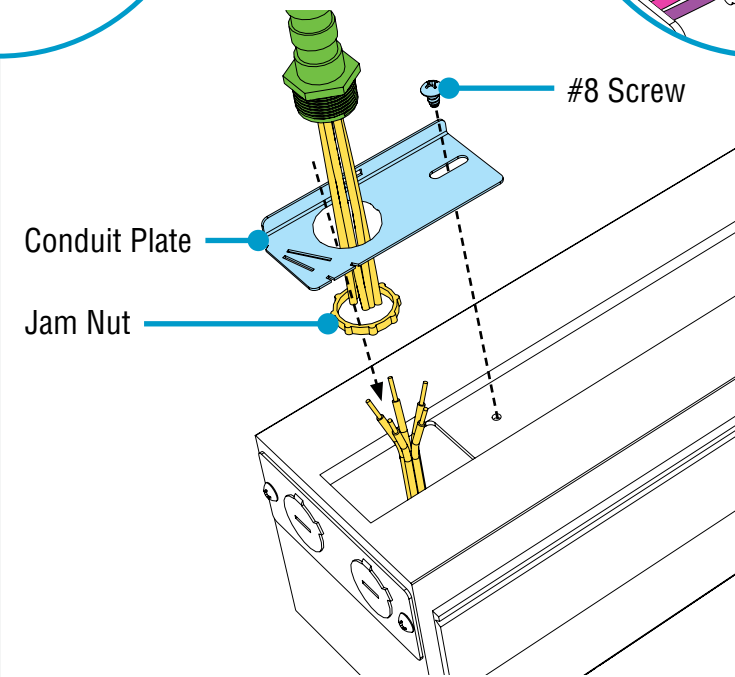
Black	Hot	Line Voltage
White	Neutral	Line Voltage
Green	Ground	
Pink	Dimming	0-10V DC
Purple	Dimming	0-10V DC

Wire-nut electrical connections.  
(Typical for all options.)



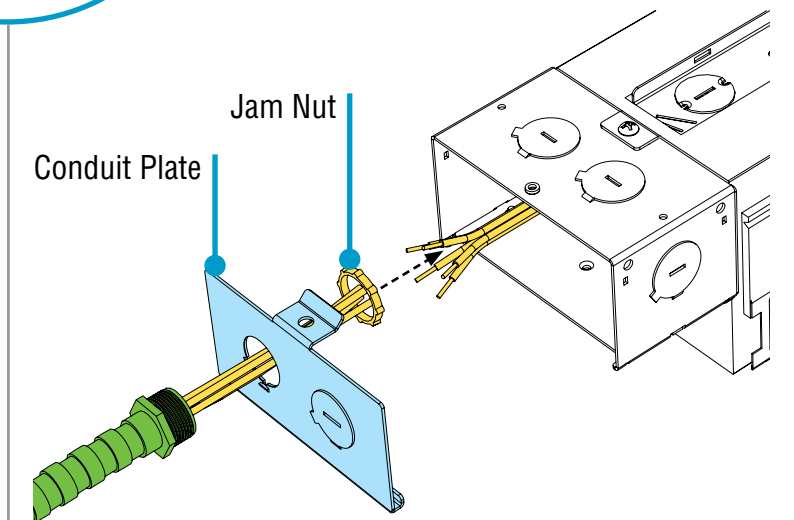
##### CONDUIT PLATE - ENDCAP (Standard)

- Remove two screws holding conduit plate.
- Install conduit and jam nut onto conduit plate.
- Wire-nut electrical connections. See wiring legend above.
- Reinstall conduit plate and screws. Do not damage any wires.
- **CRITICAL:** If installing mitered corner to starter, **PROCEED TO STEP 7, PAGE 10.**



##### CONDUIT PLATE - TOP (Optional)

- Remove screw holding conduit plate.
- Install conduit and nut onto conduit plate.
- Wire-nut electrical connections. See wiring legend above.
- Reinstall conduit plate and screw. Do not damage any wires.
- **CRITICAL:** If installing mitered corner to starter, **PROCEED TO STEP 7, PAGE 10.**



##### SPLICE BOX (Optional)

- Lift tab to unsnap and remove splice box cover.
- Install conduit and nut onto splice box cover.
- Wire-nut electrical connections. See wiring legend above.
- Reinstall splice box cover. Do not damage any wires.
- **CRITICAL:** If installing mitered corner to starter, **PROCEED TO STEP 7, PAGE 10.**

CONTINUED

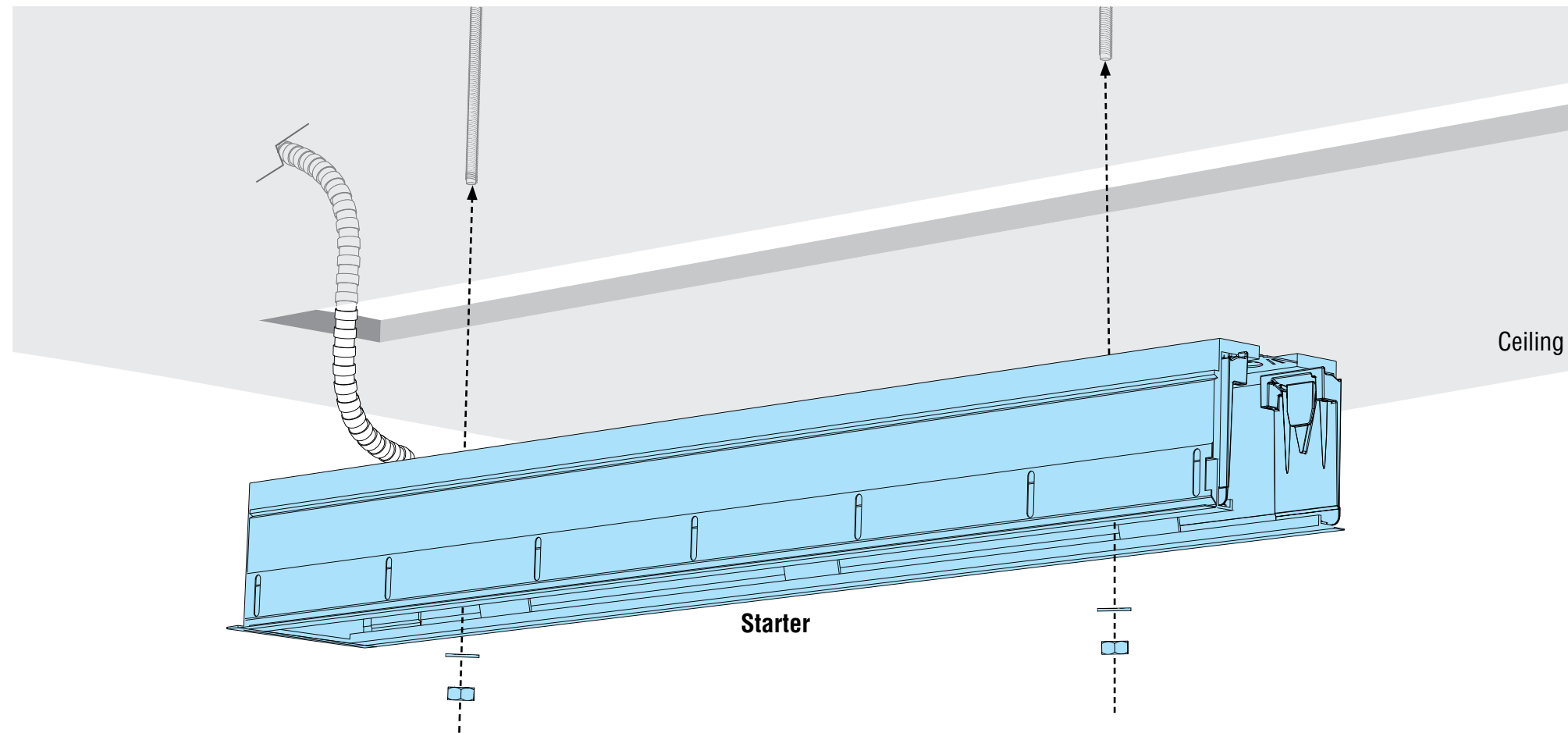


0-10V  
Dimming

# H04 Recessed Spackle & Visible Flange with Mitered Corners Installation Instructions

## Step 4 - Mounting Starter to Structure

### B. Mount Starter to Structure Bottom-Up View



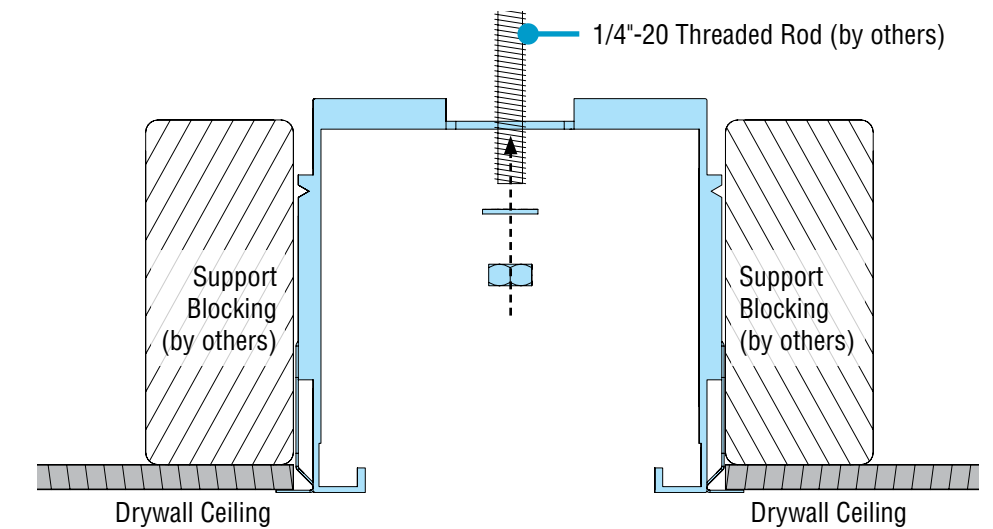
#### Option 1 (Shown) - Mount to Threaded Rod

- Align threaded rods with mounting holes and slide luminaire into wall/ceiling.
- Install 1/4"-20 nut and 1/4"-20 washer onto 1/4"-20 threaded rod.
- **CRITICAL:** If installing a joiner luminaire in the next step, leave the nut loose, allowing the luminaire to hang out of the ceiling at an angle.

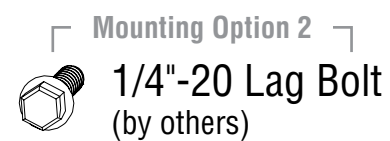
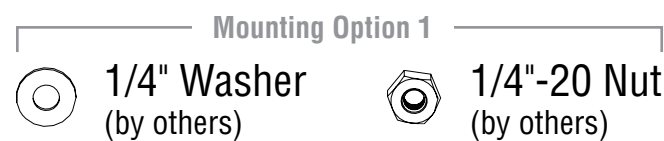
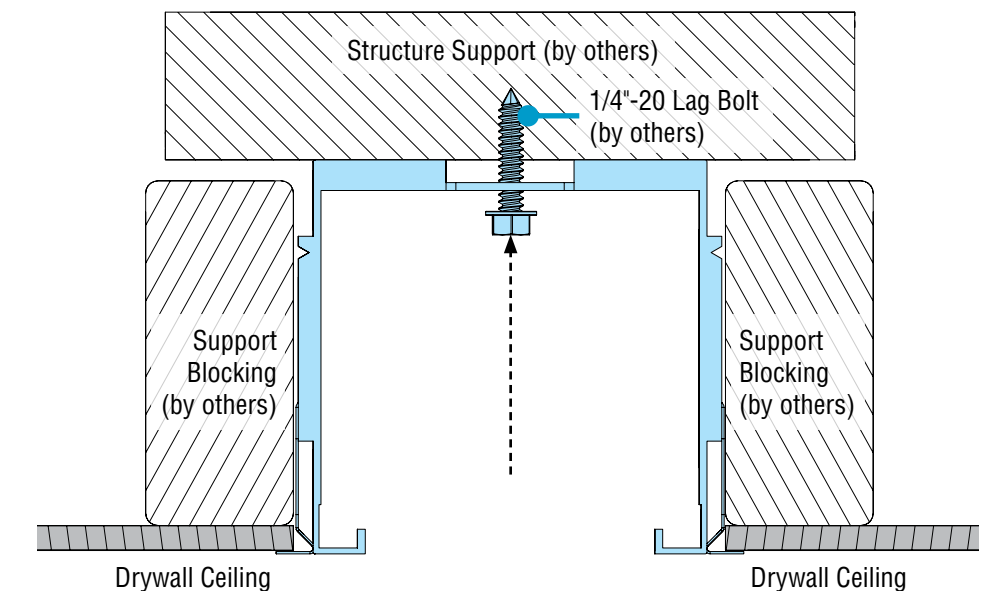
#### Option 2 - Mount to Structure

- Slide luminaire into wall/ceiling and mount to structure support with hardware appropriate for the structure type.
- **CRITICAL:** If installing a joiner luminaire in the next step, leave the bolt/screw loose, allowing luminaire to hang out of the ceiling at an angle.

#### Option 1 (Shown) - Mount to Threaded Rod



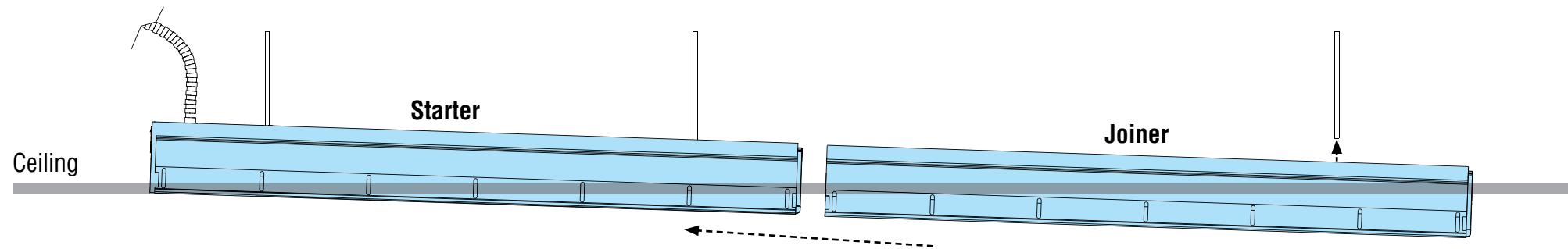
#### Option 2 - Mount to Structure



# H04 Recessed Spackle & Visible Flange with Mitered Corners Installation Instructions

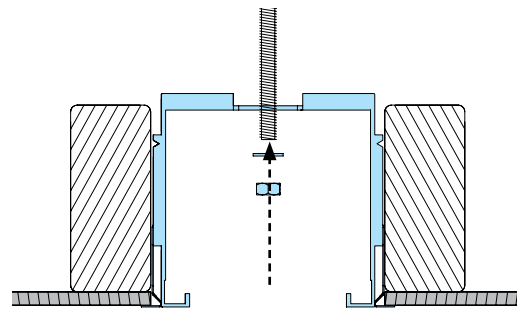
## Step 5 - Joining Luminaires

### A. Mount Joiner to Structure Side View



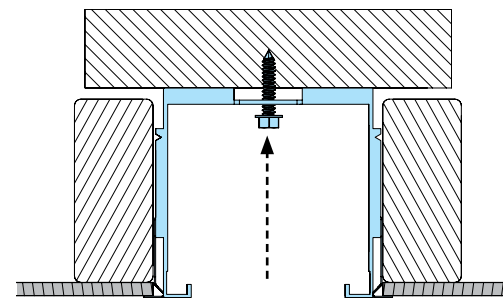
- **FOR SENSOR:** If luminaire contains a sensor at joint, refer to page 4 of Sensor Addendum before joining luminaires.
- While properly supporting luminaire, maneuver luminaire near wall/ceiling opening.
- If necessary, loosen bolts on previous luminaire so that it can hang out of the opening at an angle.
- After installing a joiner, return to previous luminaire and tighten.

#### Option 1 (Shown) - Mount to Threaded Rod



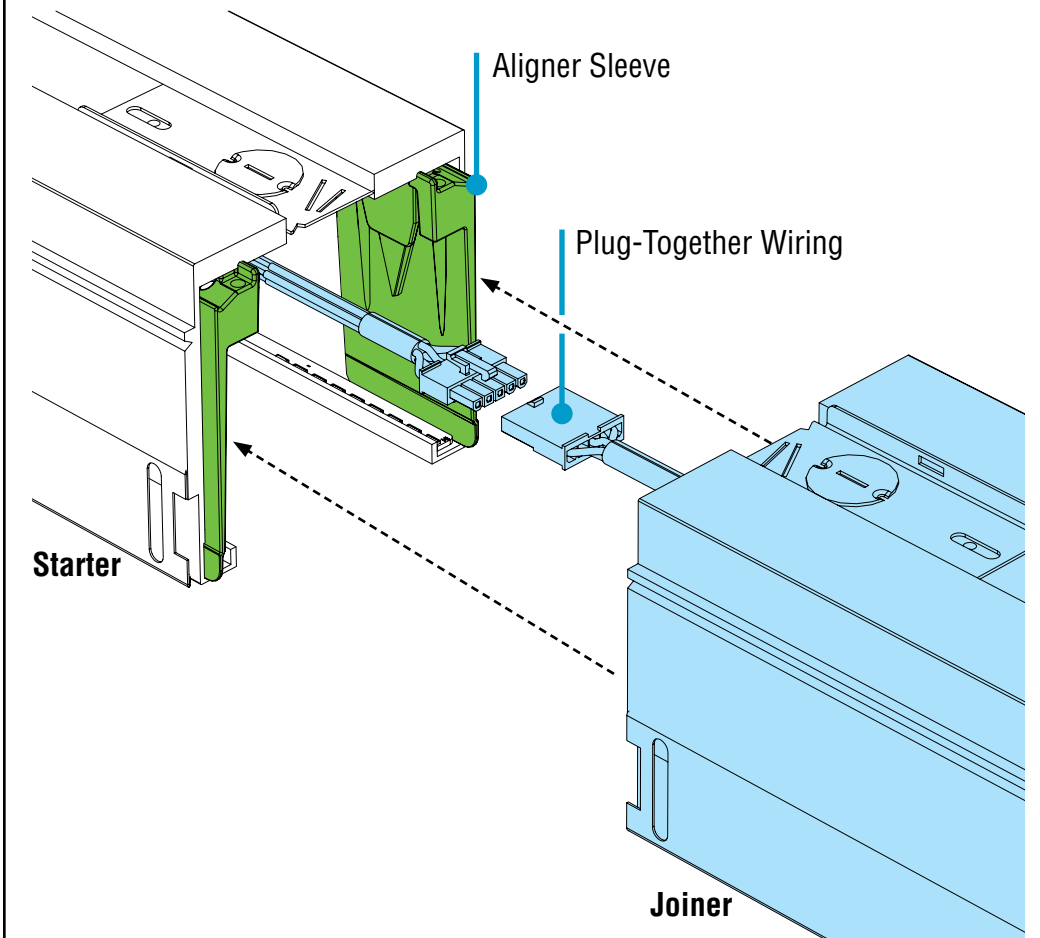
- **FOR SENSOR:** If luminaire contains a sensor at joint, refer to page 4 of Sensor Addendum before joining luminaires.
- Align threaded rods with mounting holes and slide luminaire into wall/ceiling.
- Install 1/4"-20 nut and 1/4"-20 washer onto 1/4"-20 threaded rod.
- **CRITICAL:** If installing another joiner luminaire, leave the nut loose, allowing the luminaire to angle out of ceiling at an angle.
- If there is no additional joiner, then tighten nuts fully.

#### Option 2 - Mount to Structure



- **FOR SENSOR:** If luminaire contains a sensor at joint, refer to page 4 of Sensor Addendum before joining luminaires.
- Slide luminaire into wall/ceiling and mount to structure support with hardware appropriate for the structure type.
- **CRITICAL:** If installing another joiner luminaire, leave the bolt/screw loose, allowing luminaire to hang out of ceiling at an angle.
- If there is no additional joiner, then tighten nuts fully.

### B. Make Electrical Connections Top-Down View



- Connect plug-together wiring.
- Align joiner with aligner sleeves on starter and slide together.
- If necessary, **lift** both luminaires, then slide together. Be careful not to damage any wiring.

**Mounting Option 1**

Threaded Rod  
(by others)

1/4"-20 Washer  
(by others)

1/4"-20 Nut  
(by others)

**Mounting Option 2**

1/4"-20 Lag Bolt  
(by others)



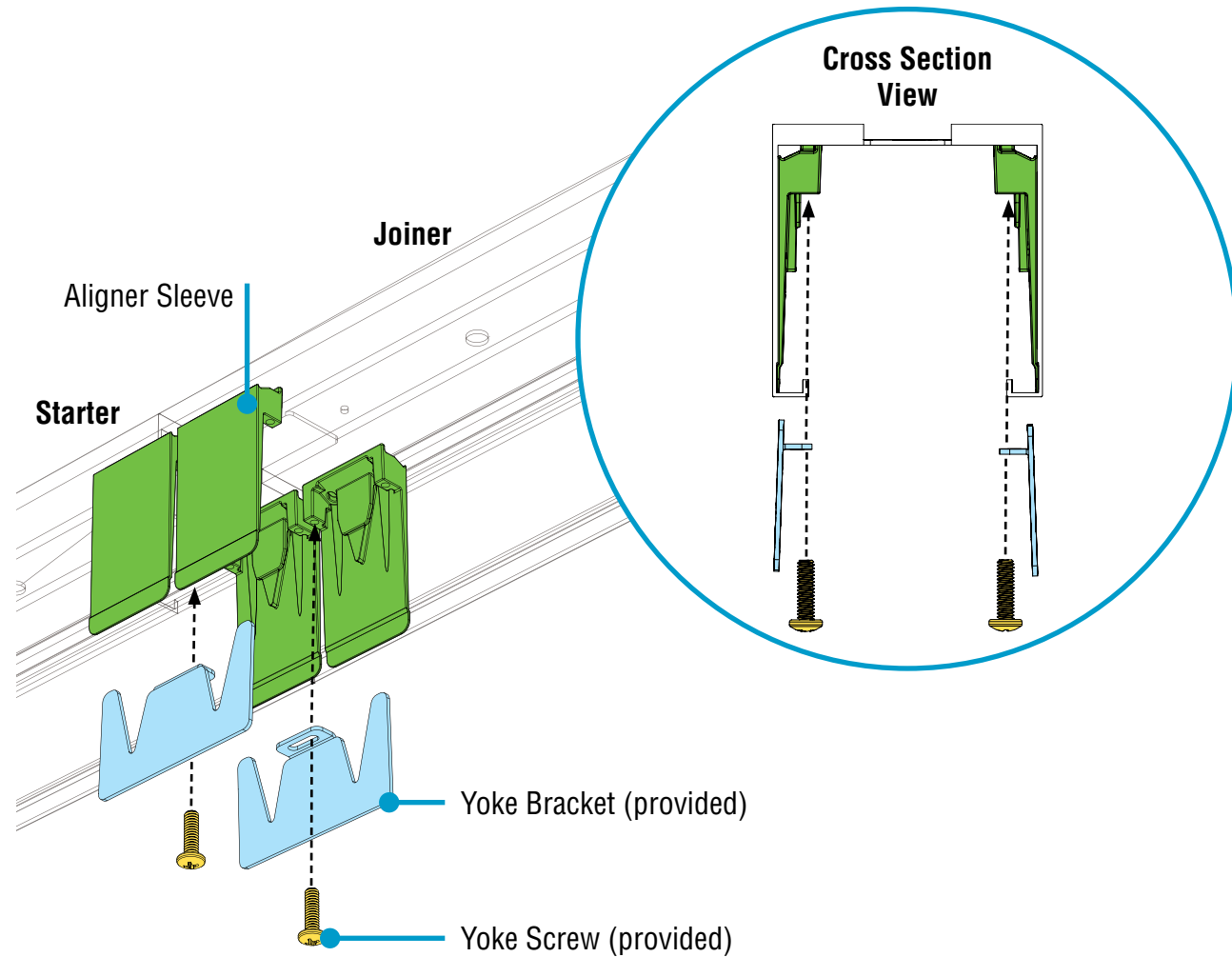


# H04 Recessed Spackle & Visible Flange with Mitered Corners

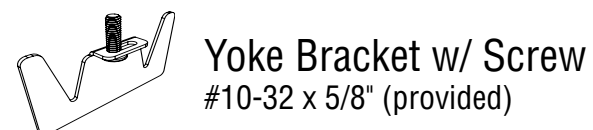
## Installation Instructions

### Step 6 - Securing Luminaire Joints

#### A. Secure Joint with Yoke Brackets Bottom-Up View

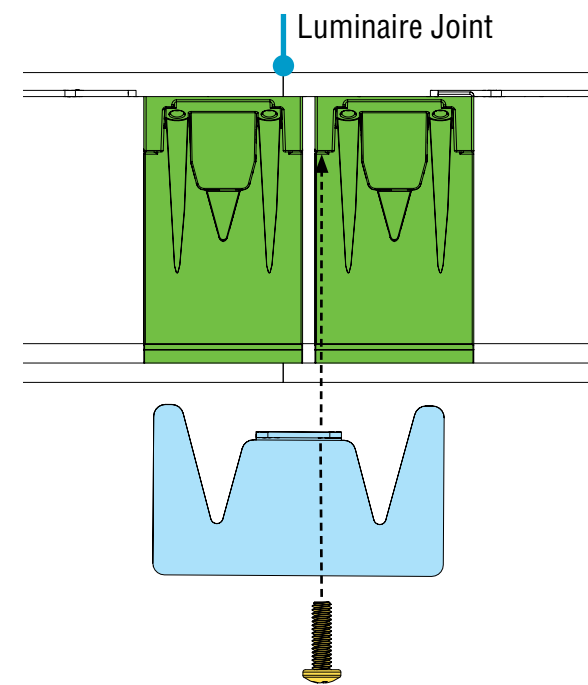


- Before installing yoke brackets, ensure the joining ends of luminaires meet flush and square.
- **CRITICAL:** Ensure yoke brackets properly engage with aligner sleeves.
- Secure joint by using a screwdriver<sup>1</sup> to tighten yoke screws through yoke brackets and into the aligner sleeves until joint seam of luminaire is closed.

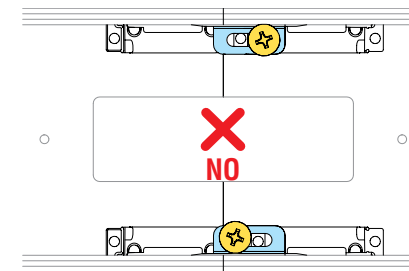


<sup>1</sup> Screwdriver with 6" bit required.

#### IN ALIGNMENT

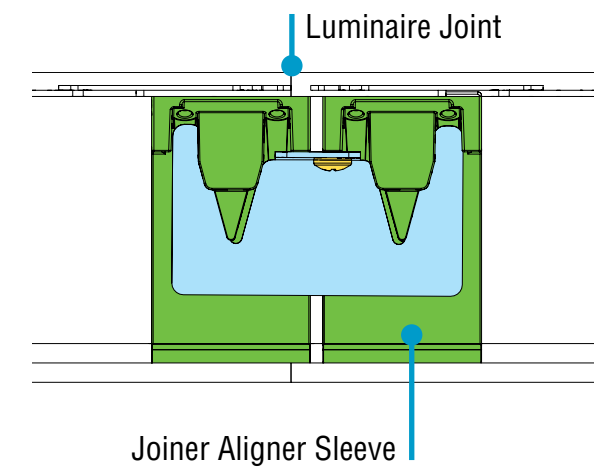


#### YOKE SCREW ALIGNMENT Bottom-Up View

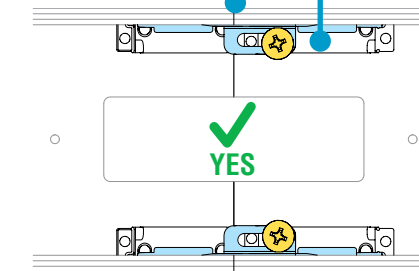


**NOTE:** Yoke screws should be installed directly across from each other, not diagonally, and in holes furthest from the joint line. One yoke screw per one yoke bracket.

#### CORRECTLY INSTALLED



#### Luminaire Joint Joiner Aligner Sleeve

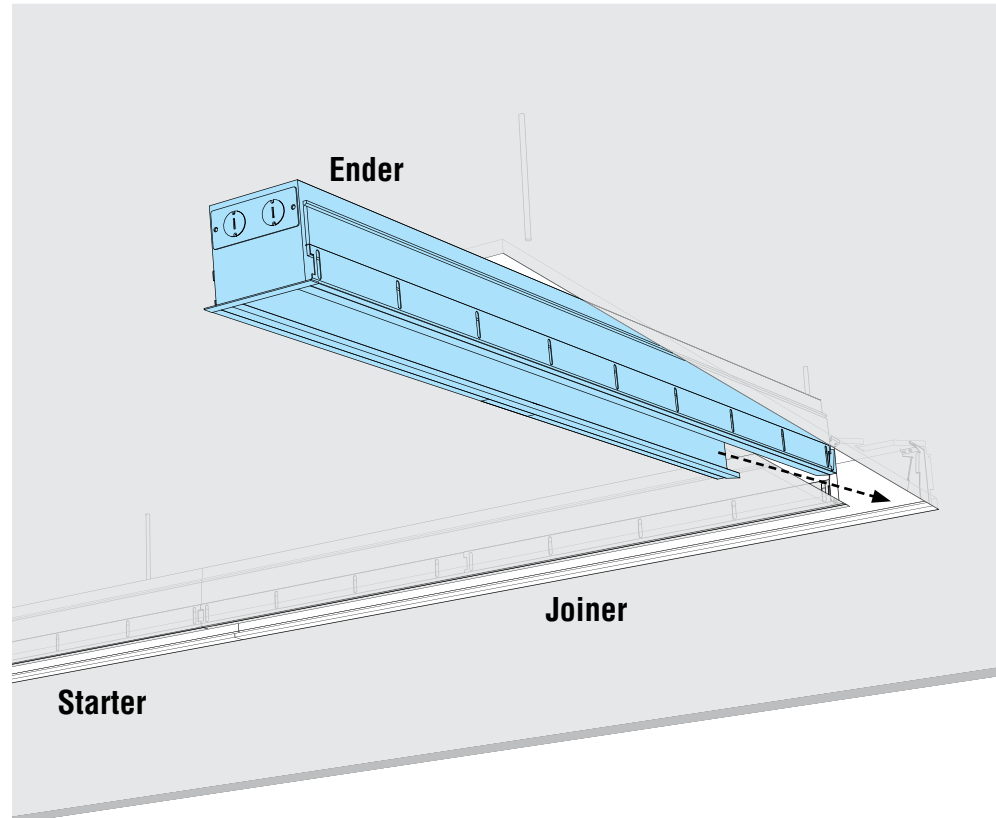


# H04 Recessed Spackle & Visible Flange with Mitered Corners

## Installation Instructions

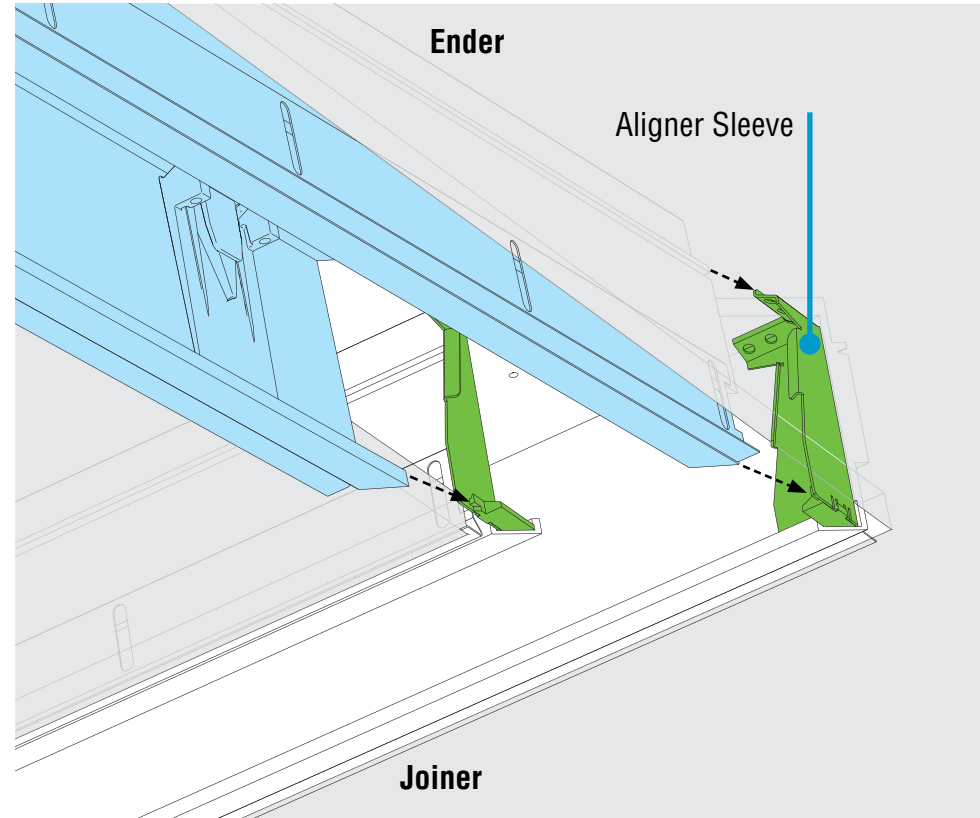
### Step 7 - Joining Mitered Corners

**A. Mount Ender to Structure** Bottom-Up View



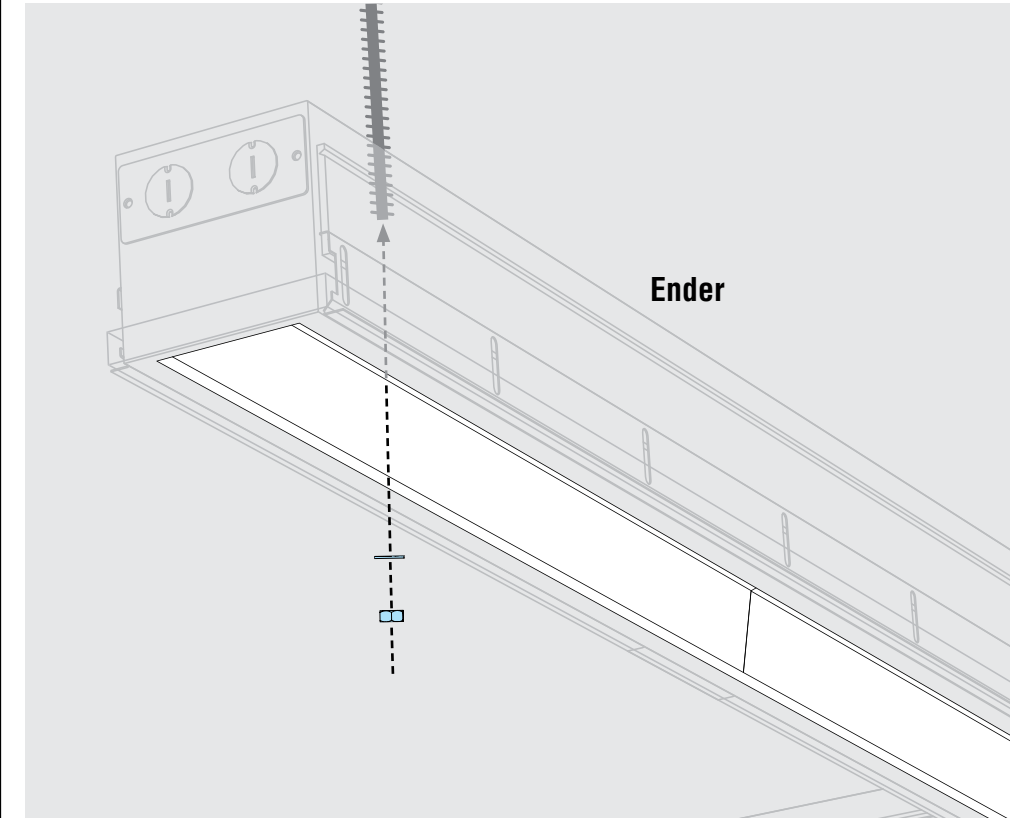
- Maneuver ender near wall/ceiling opening.
- If necessary, loosen bolts on previous luminaire so that it can hang out of opening at an angle.

**B. Join Mitered Luminaires** Bottom-Up View



- Align ender with aligner sleeves on joiner and slide together. Be careful not to damage any wiring.
- If necessary, **lift** both luminaires, then slide together.

**C. Secure Ender to Structure** Bottom-Up View



- Secure ender to structure using preferred mounting option.
- **CRITICAL:** If installing a joiner luminaire in the next step, leave the nut or bolt/screw loose, allowing the luminaire to hang out of ceiling at an angle.
- If there is no joiner, then tighten nuts or bolt/screws fully.

**Mounting Option 1**

1/4"-20 Washer (by others)
 1/4"-20 Nut (by others)

**Mounting Option 2**

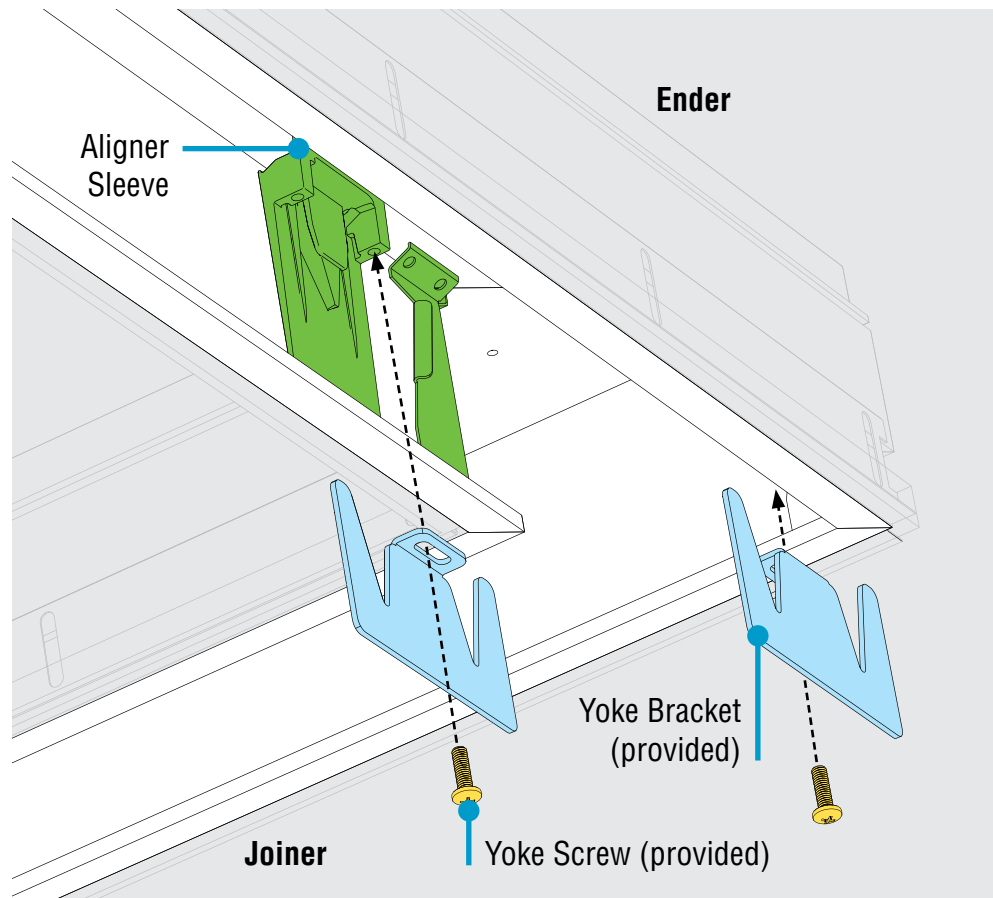
1/4"-20 Lag Bolt (by others)

# H04 Recessed Spackle & Visible Flange with Mitered Corners

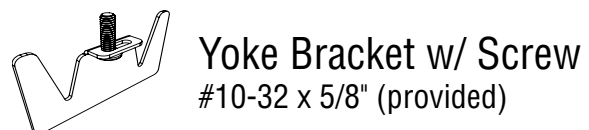
## Installation Instructions

### Step 8 - Securing Corner Joints

#### A. Secure Corner Joint with Yoke Brackets Bottom-Up View

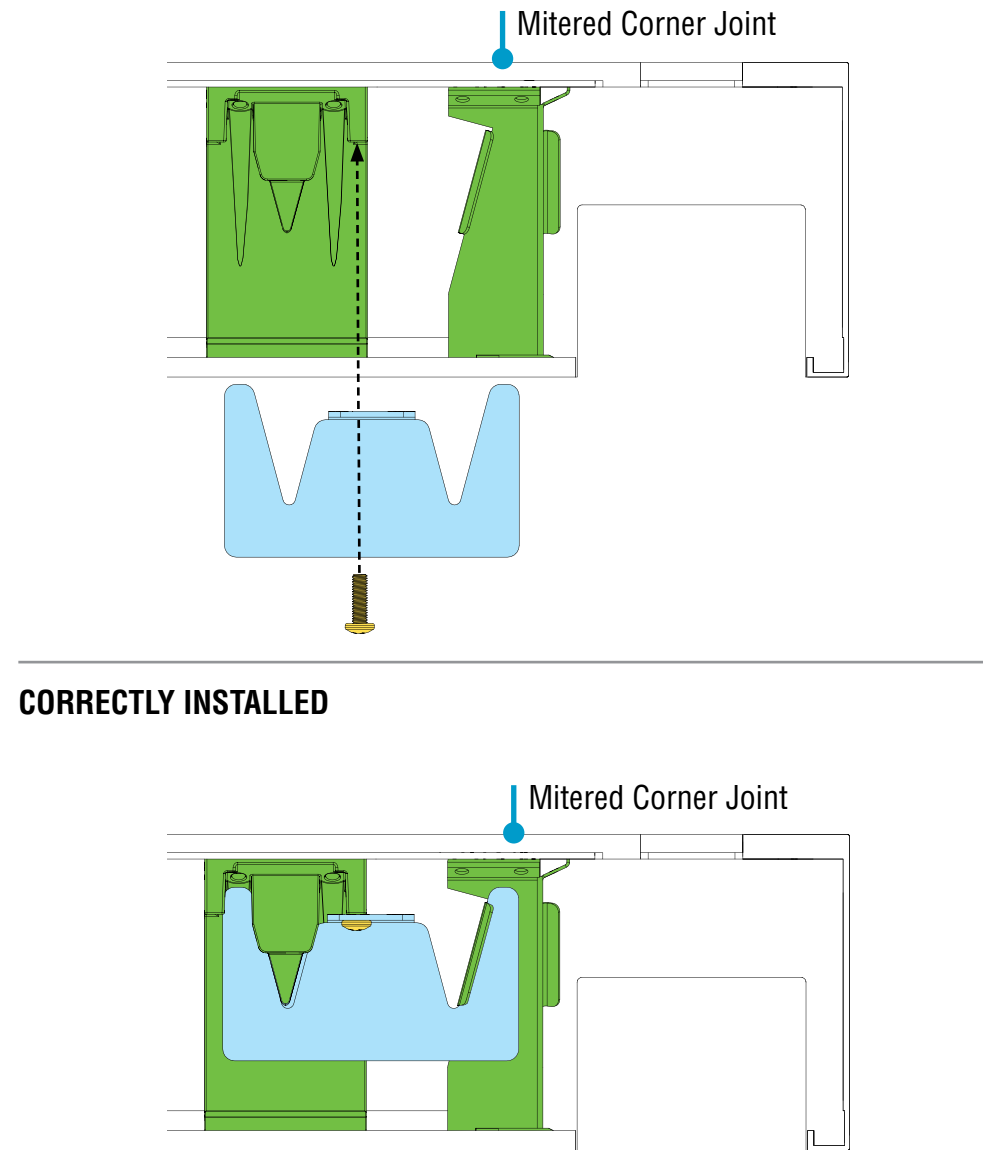


- Before installing yoke brackets, ensure the joining corners of luminaires meet flush and square.
- **CRITICAL:** Ensure yoke brackets properly engage with aligner sleeves.
- Secure joint by using a screwdriver<sup>1</sup> to tighten yoke screws through yoke brackets and into the aligner sleeves until joint seam of luminaire is closed.

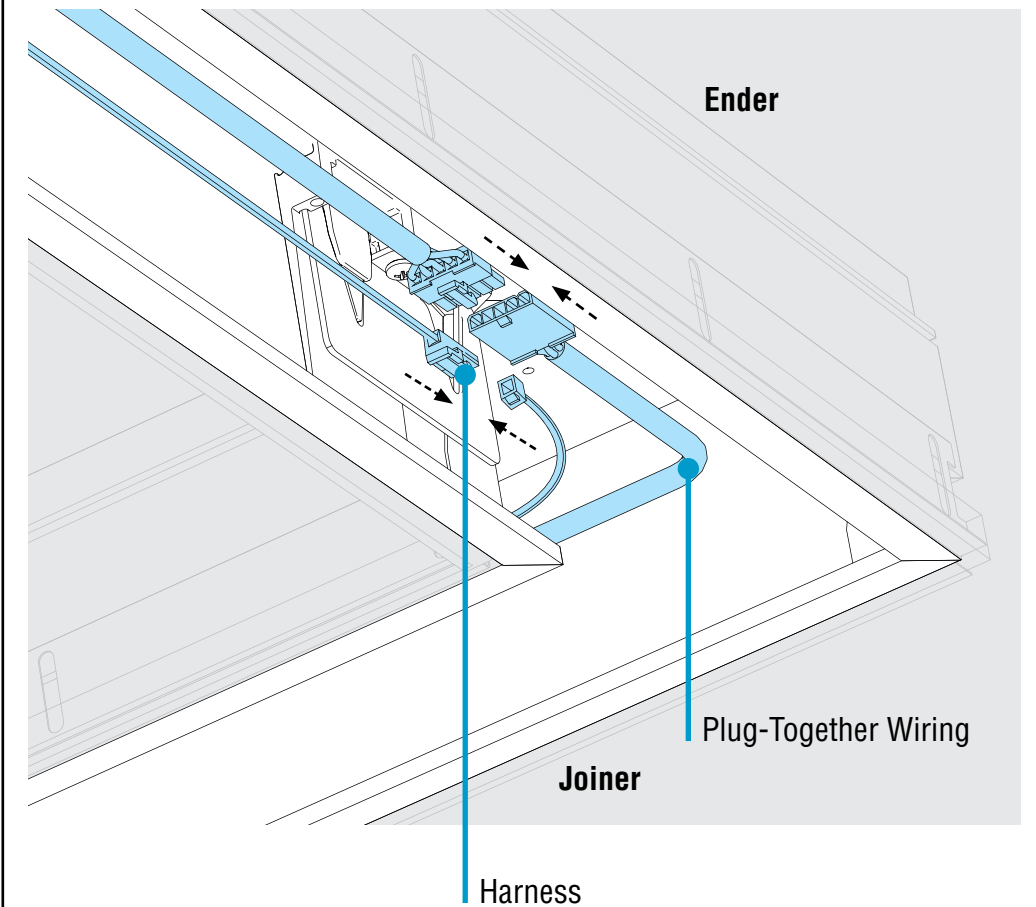


<sup>1</sup> Screwdriver with 6" bit required.

#### IN ALIGNMENT



#### B. Make Electrical Connections Bottom-Up View



- Connect plug-together wiring and LED harness.



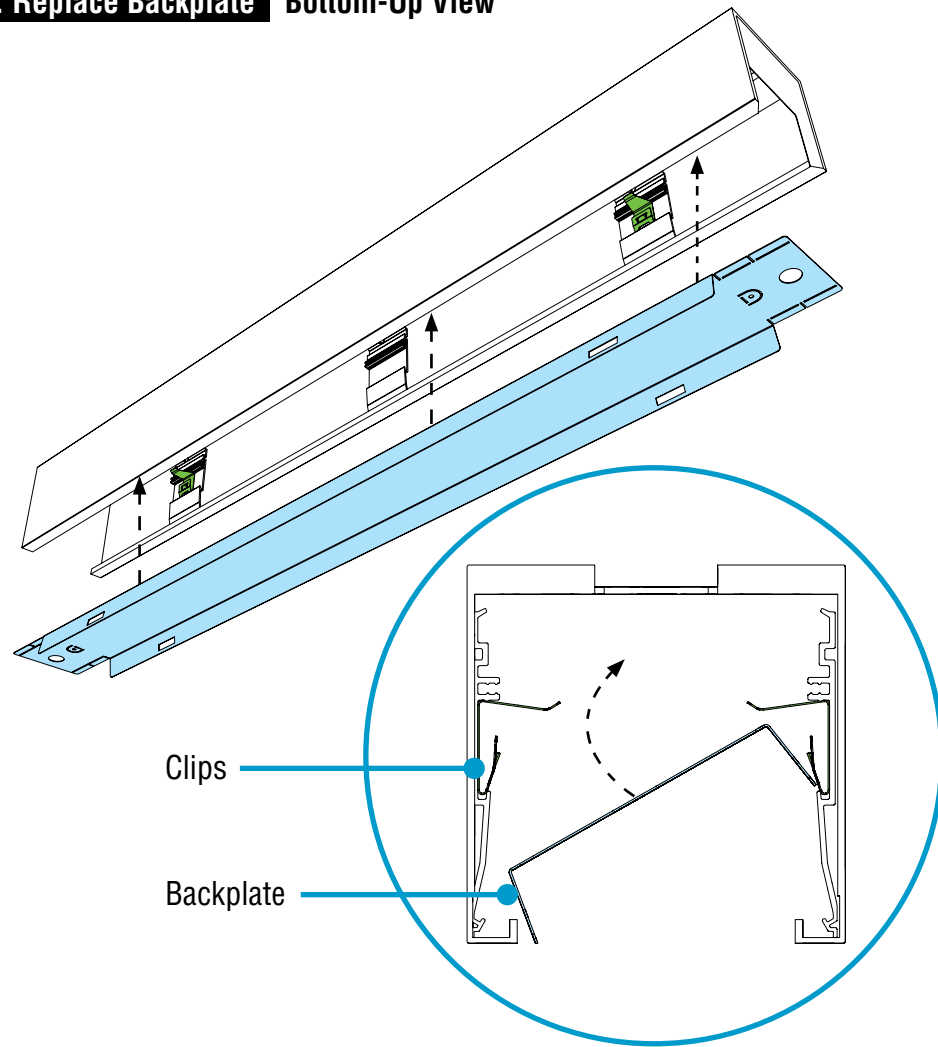
Simple  
Plug-Together  
Wiring

# H04 Recessed Spackle & Visible Flange with Mitered Corners

## Installation Instructions

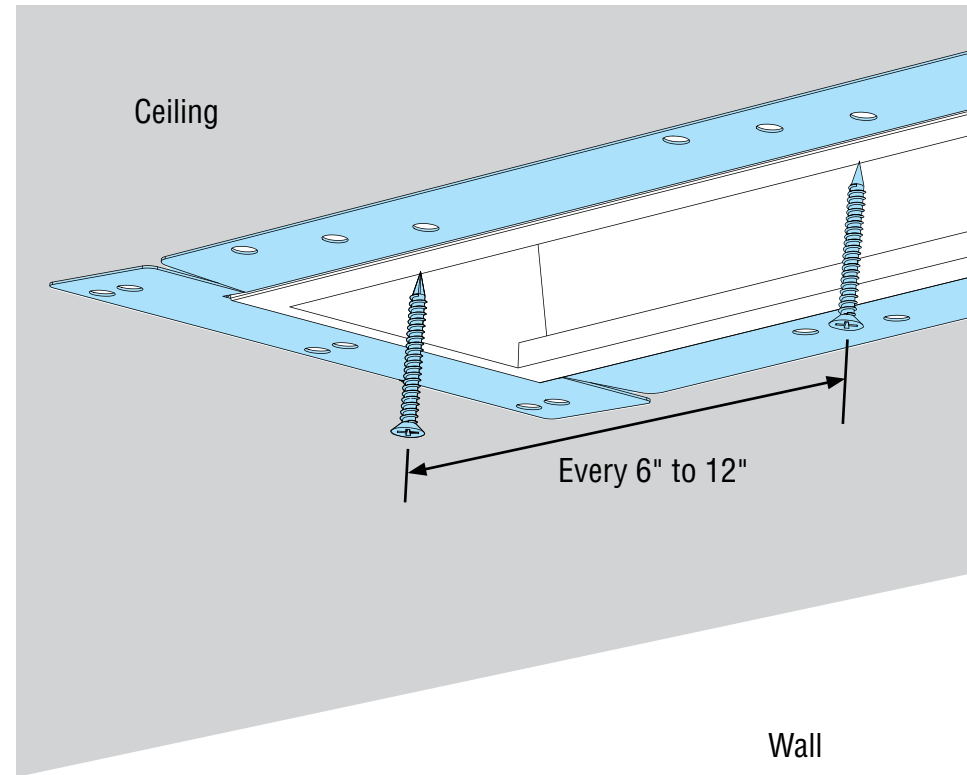
### Step 9 - Closing Luminaires

**A. Replace Backplate** Bottom-Up View



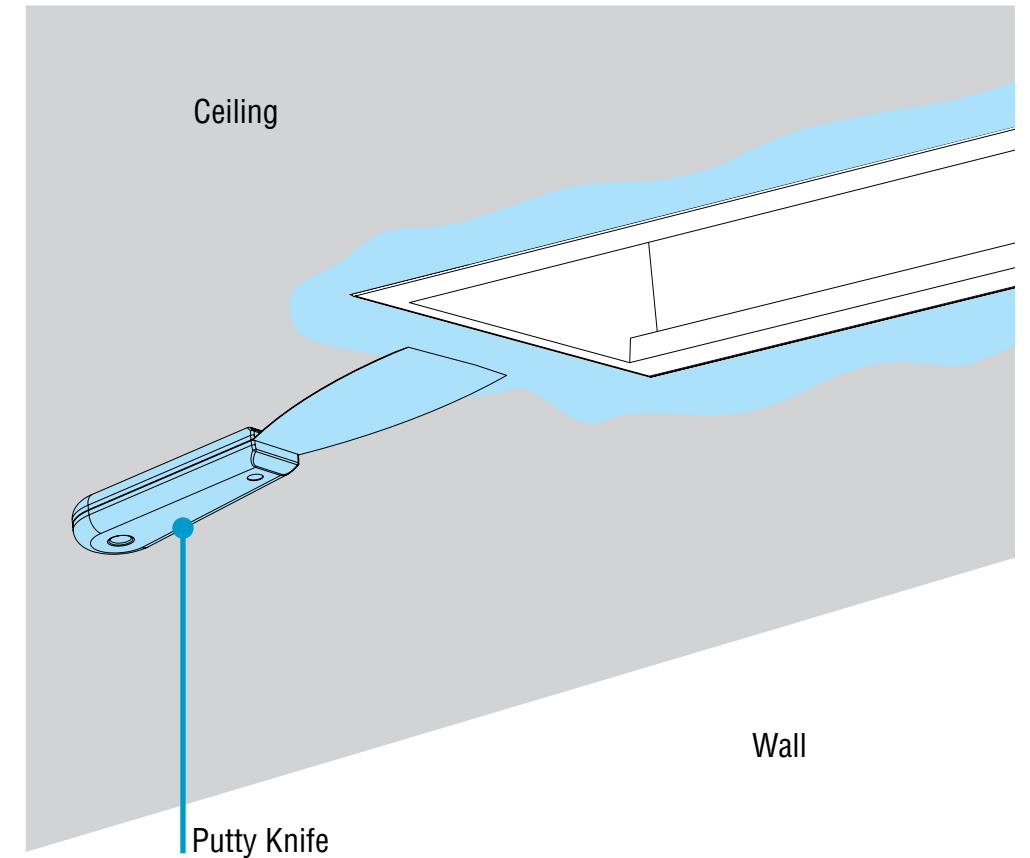
- Now that the joints are secured, tighten all nuts and washers on threaded rods at all suspension points.
- Reinstall backplates by rotating into luminaire body and snapping into clips.
- **FOR SENSOR:** If luminaire contains a sensor at endcap, refer to page 3 of Sensor Addendum. If luminaire contains a sensor at joint, refer to page 6 of Sensor Addendum.

**B. Secure Flange To Structure** Spackle Flange Only

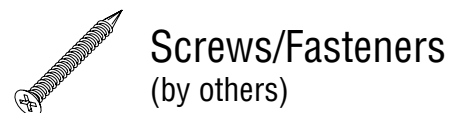


- Secure spackle flanges to wall/ceiling using appropriate screws or fasteners<sup>1</sup> for hard surface, per local building codes.

**C. Apply Spackle** Spackle Flange Only



- Spackle and paint over flanges up to luminaire edge.
- **CAUTION:** Careful not to drop spackle into luminaire. Immediately wipe off excess spackle that may have gotten onto luminaire edges.



<sup>1</sup> Screws or fasteners: drywall - drywall screws, wood - wood screws, etc.

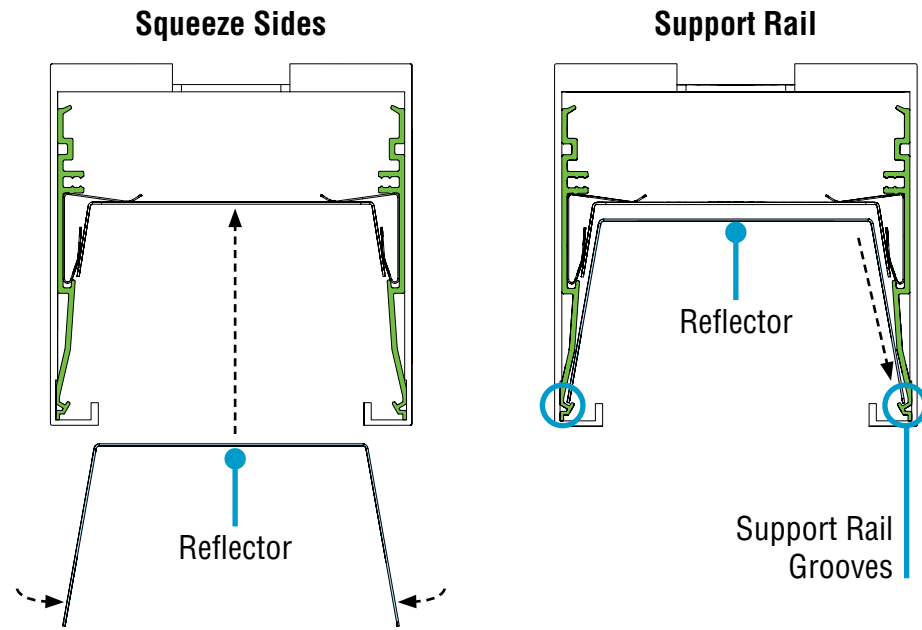
CONTINUED

# H04 Recessed Spackle & Visible Flange with Mitered Corners

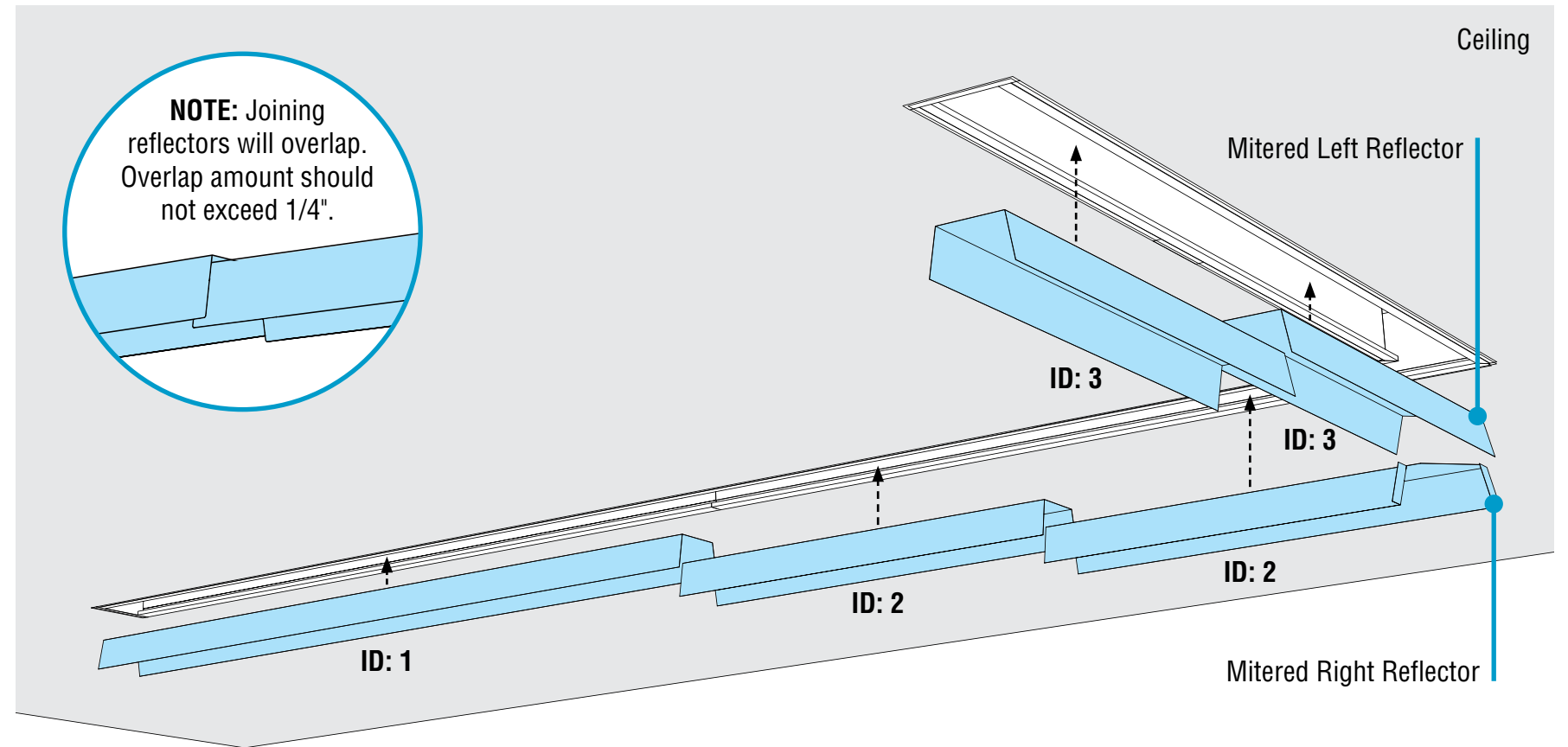
## Installation Instructions

### Step 9 - Closing Luminaires

**D. Final Step - Install Reflectors** Side View



- **NOTE:** If your installation includes a battery backup, please see addendum (98333) that should be included with your kitting package.
- **CAUTION:** Wear gloves to keep reflector surface clean. Be careful not to crease material. Make all adjustments to placement before settling on final position of reflector.
- Remove reflectors from protective plastic bag prior to installing.
- **CRITICAL:** Be sure to install correct reflector to its corresponding luminaire ID.
- Install reflector by squeezing in sides and inserting into luminaire body.
- Ensure reflector is pulled down so that its bottom edges catch the groove of the support rail.



- **NOTE:** Reflectors installed in joiner and ender luminaires are 1/4" longer. When installing the reflectors, overlap the reflector of the previous luminaire section by 1/4".
- **FOR MITERED CORNERS:** Mitered right reflectors are installed first. Mitered left reflectors overlap mitered right reflectors.
- Turn power on to luminaires.



Reflector Installation