

H04 ID & UD LED Engine Replacement Instructions

Overview

NOTES

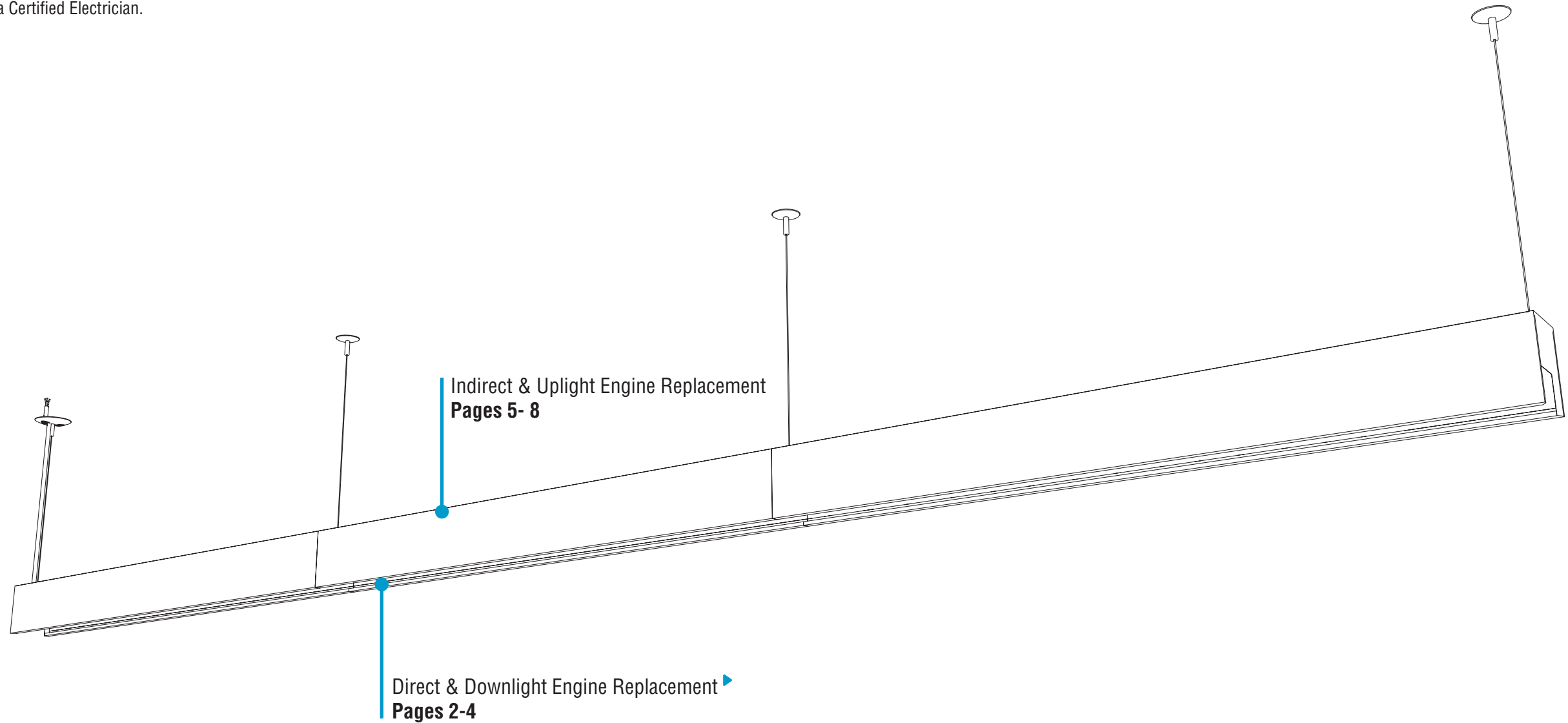
- Ensure that reflectors do not get dirty or damaged.
- All power connections should be installed according to local/national codes by a Certified Electrician.



HELPFUL
VIDEO



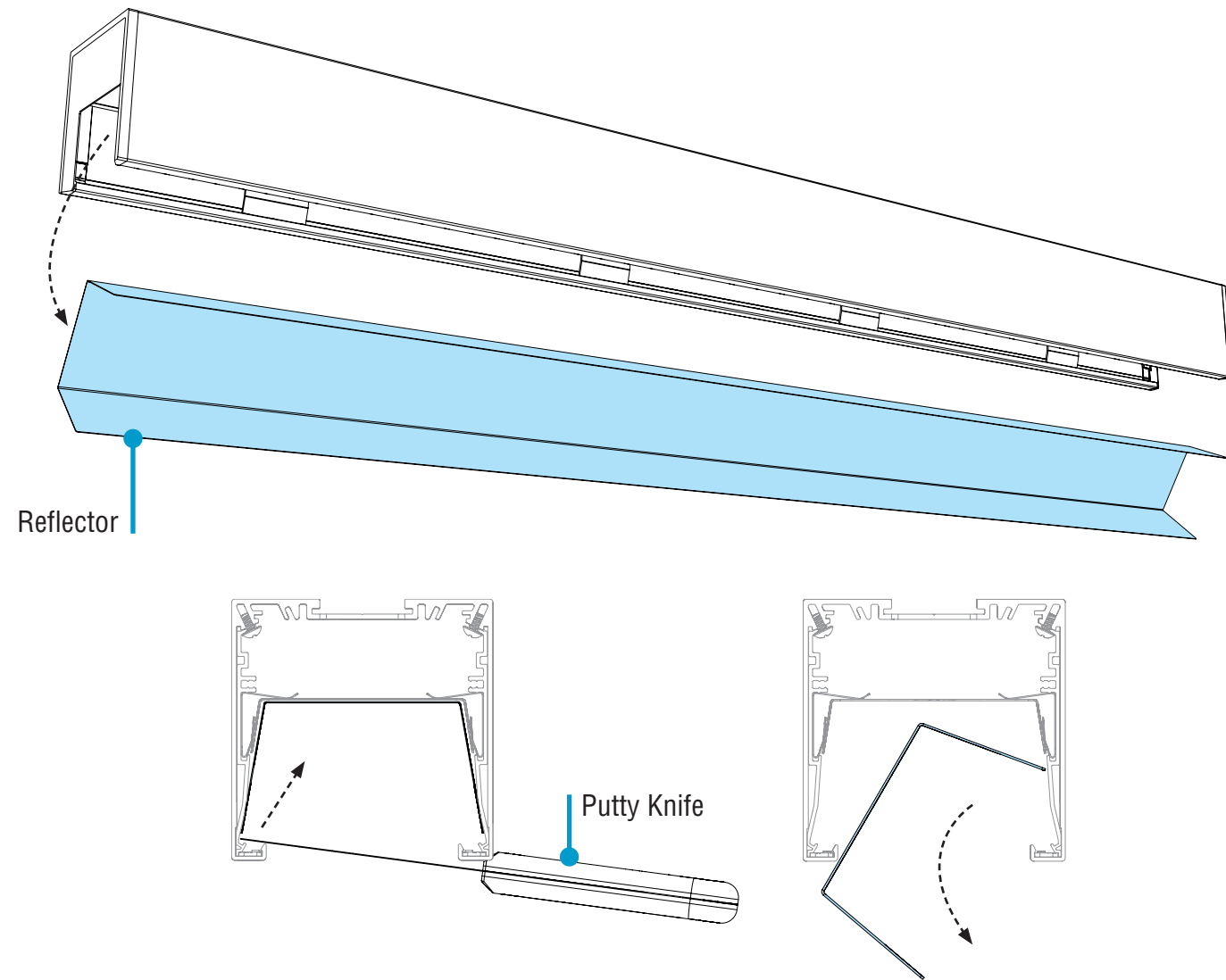
Reflector
Installation



H04 ID & UD LED Engine Replacement Instructions

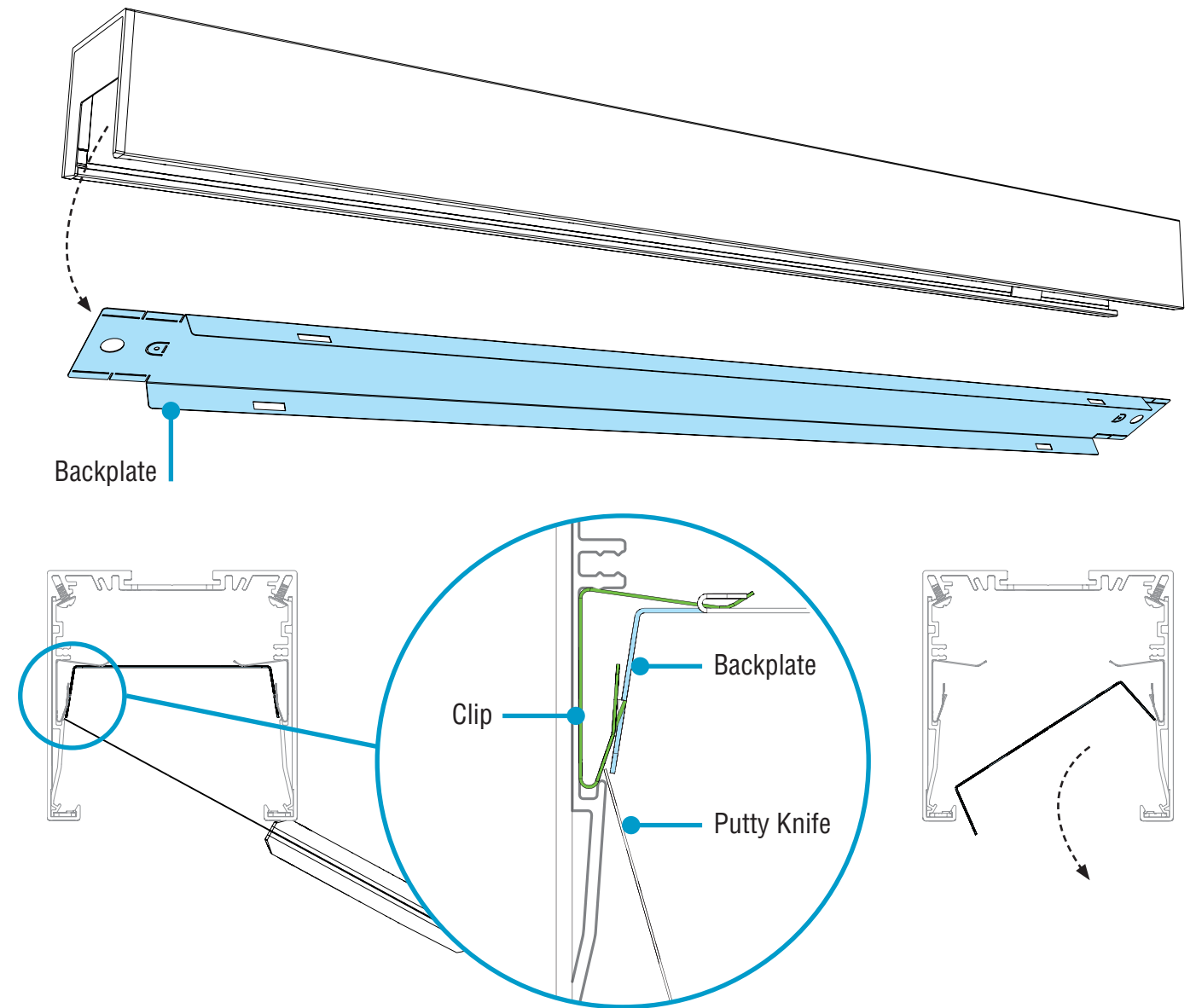
Step 1 - Opening Luminaires

A. Remove Reflector



- **CAUTION:** Wear gloves to keep reflector surface clean.
- Turn power off to luminaire.
- Remove reflector by carefully placing a flat edge (such as a clean putty knife) between the reflector and luminaire body.
- Push slightly up, and angle out.
- Ensure reflector can be clearly identified back to its corresponding luminaire.

B. Remove Backplate

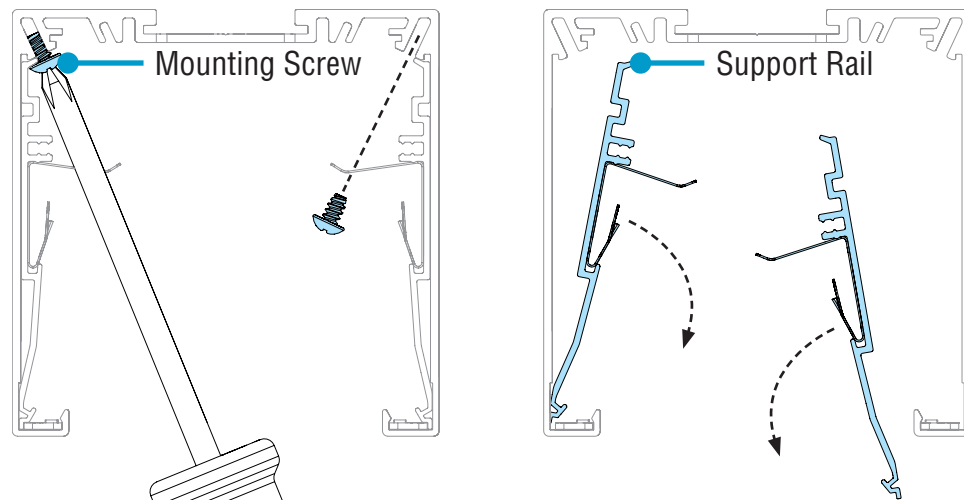


- Use putty knife to slip behind backplate edges and release backplates from clips (4 clips per backplate).

H04 ID & UD LED Engine Replacement Instructions

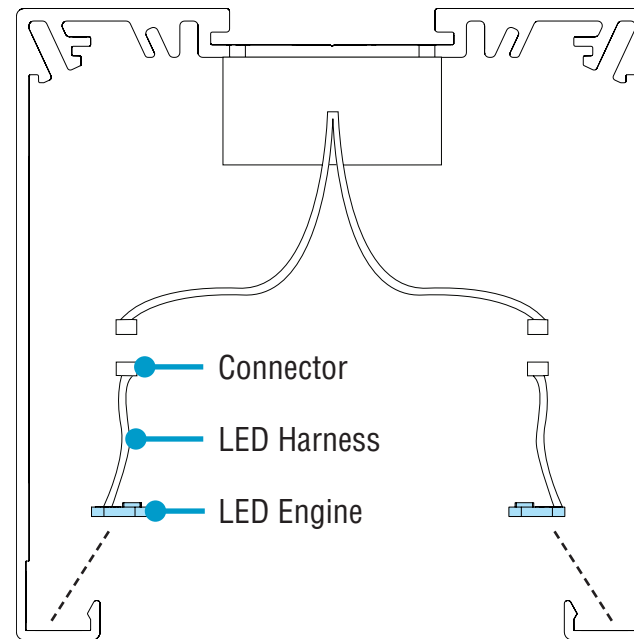
Step 2 - Replace LED Engine

A. Remove Support Rails



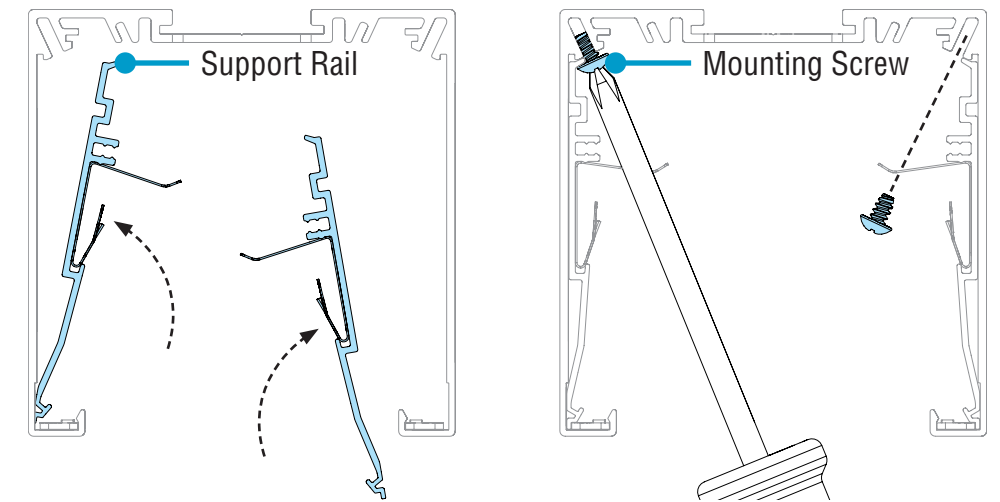
- Release support rails from luminaire by unscrewing the mounting screws.
- Remove support rails (8 per luminaire) and set aside.

B. Remove & Replace LED Engines




- Ensure power to luminaire is turned off prior to removing old LED engines.
- Disconnect LED harnesses.
- Remove old LED engines and replace with new LED engines.
- Reconnect LED harnesses.

C. Replace Support Rails



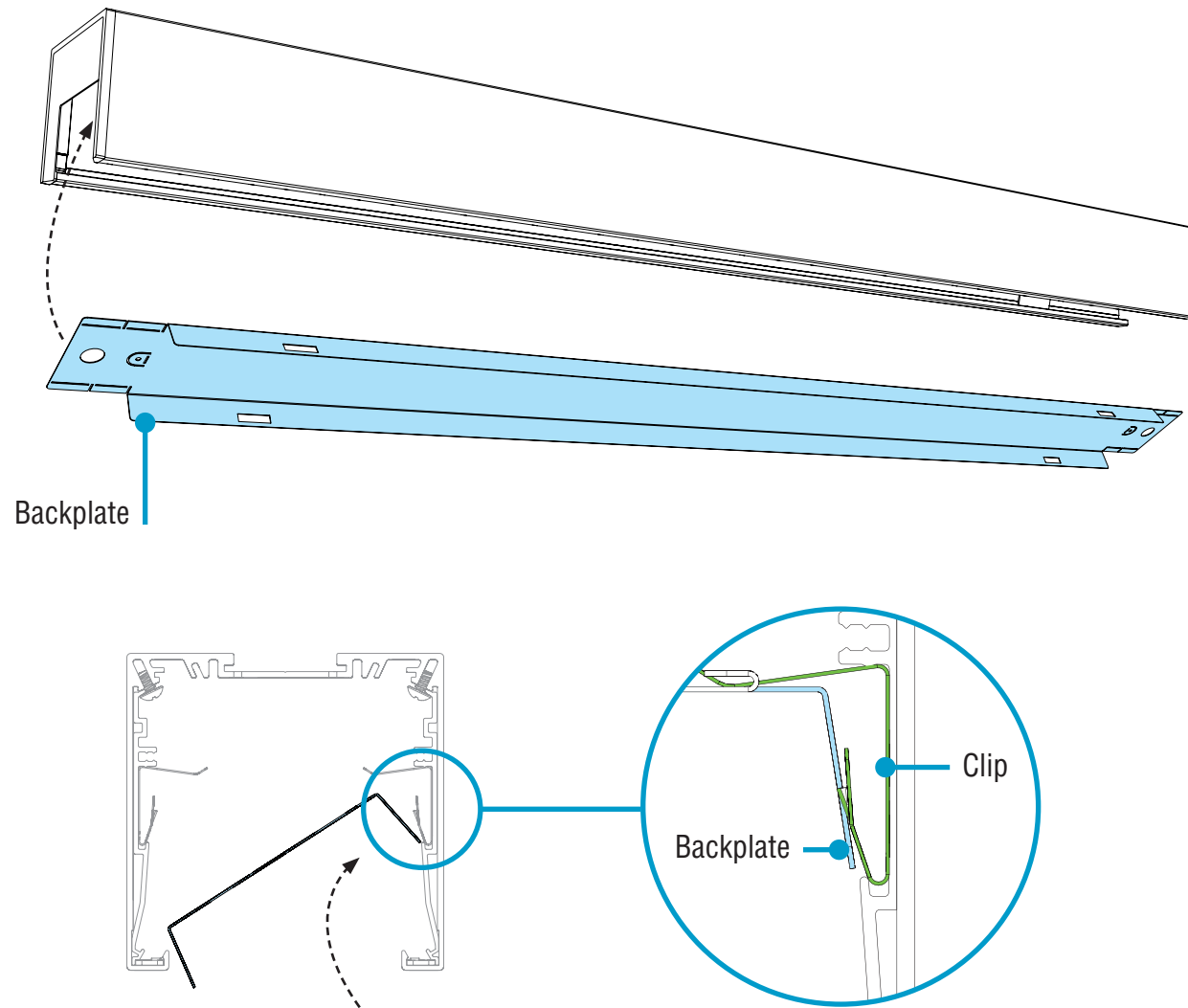
- Replace support rails (8 per luminaire) and secure with mounting screws.

 **Mounting Screw**
#8-18 x 1/2"

H04 ID & UD LED Engine Replacement Instructions

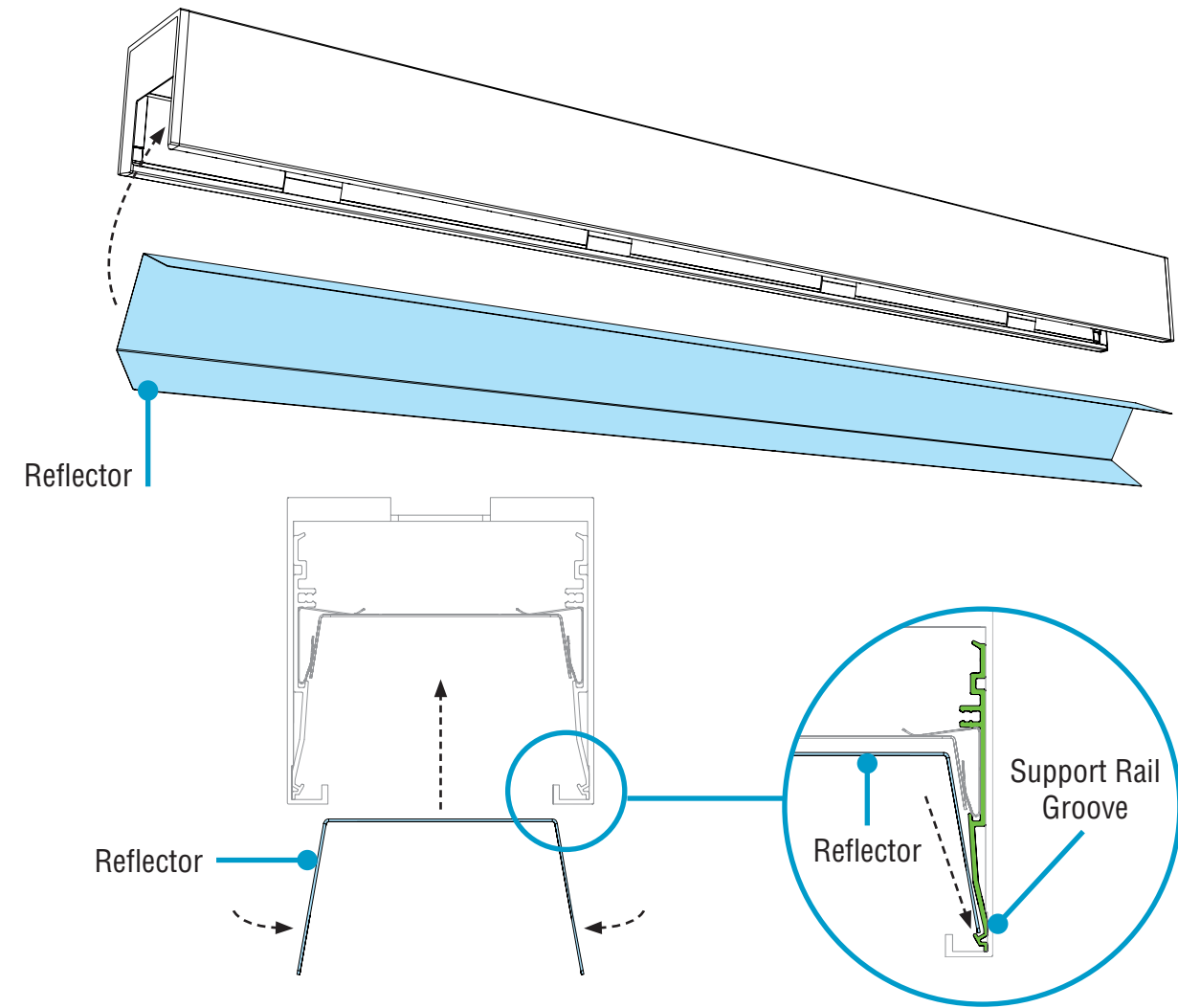
Step 3 - Closing Luminaires

A. Replace Backplate



- Replace backplates by rotating back into luminaire and snapping into clips.

B. Final Step - Replace Reflector



- **CAUTION:** Wear gloves to keep reflector surface clean.
- Carefully replace reflector by squeezing sides and inserting into luminaire. Ensure reflector is pulled down so that the bottom edges catch the groove of the support rail as to not block the LEDs.
- **NOTE:** Reflectors installed in joiner and ender luminaires are 1/4" longer. When installing the reflectors, overlap the reflector of the previous luminaire section by 1/4".
- Turn power on to luminaire.



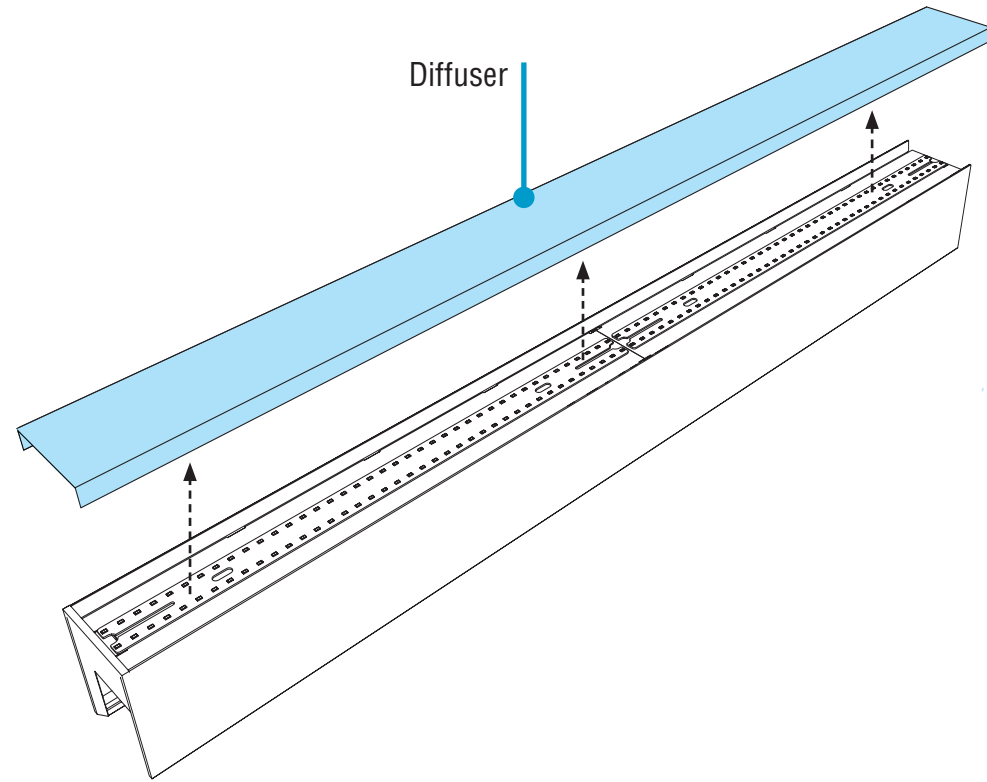
Reflector
Installation

H04 ID & UD LED Engine Replacement Instructions

Step 1 - Opening Luminaires

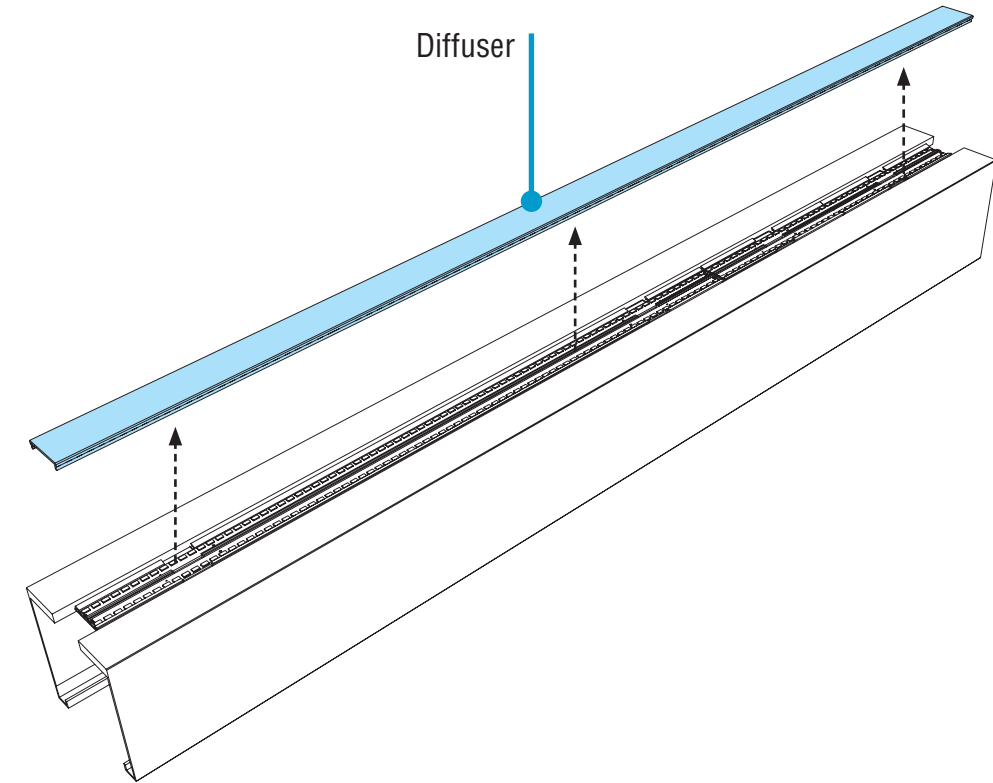
Remove Diffuser

For ID - Indirect



- **CAUTION:** Wear gloves to keep diffuser surface clean.
- Turn power off to luminaire.
- Carefully remove diffuser and set aside to prevent from getting dirty or damaged.
- Ensure diffuser can be clearly identified back to its corresponding luminaire.

For UD - Uplight



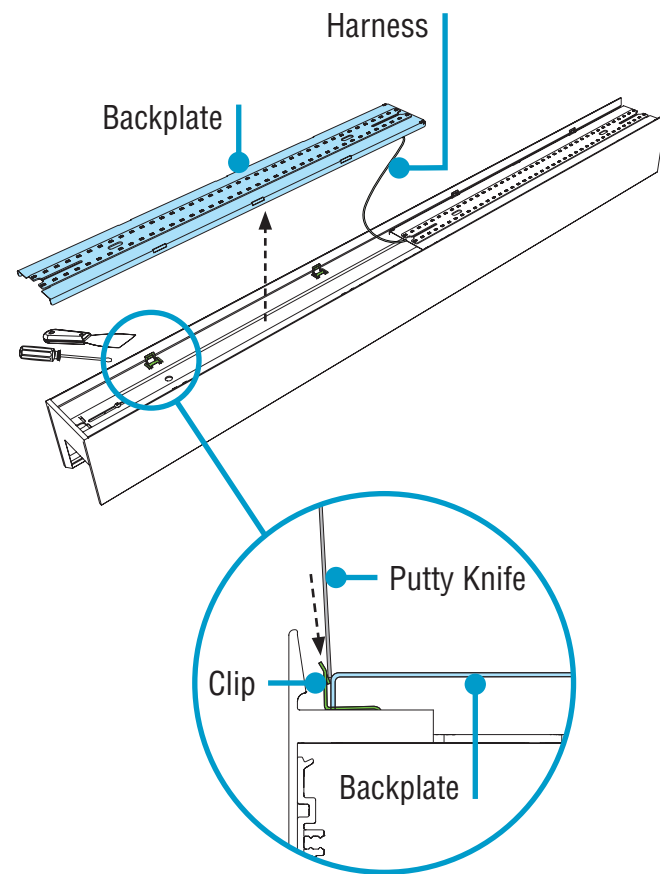
- **CAUTION:** Wear gloves to keep diffuser surface clean.
- Turn power off to luminaire.
- Carefully remove diffuser and set aside to prevent from getting dirty or damaged.
- Ensure diffuser can be clearly identified back to its corresponding luminaire.

H04 ID & UD LED Engine Replacement Instructions

Step 2 - Replace LED Engine

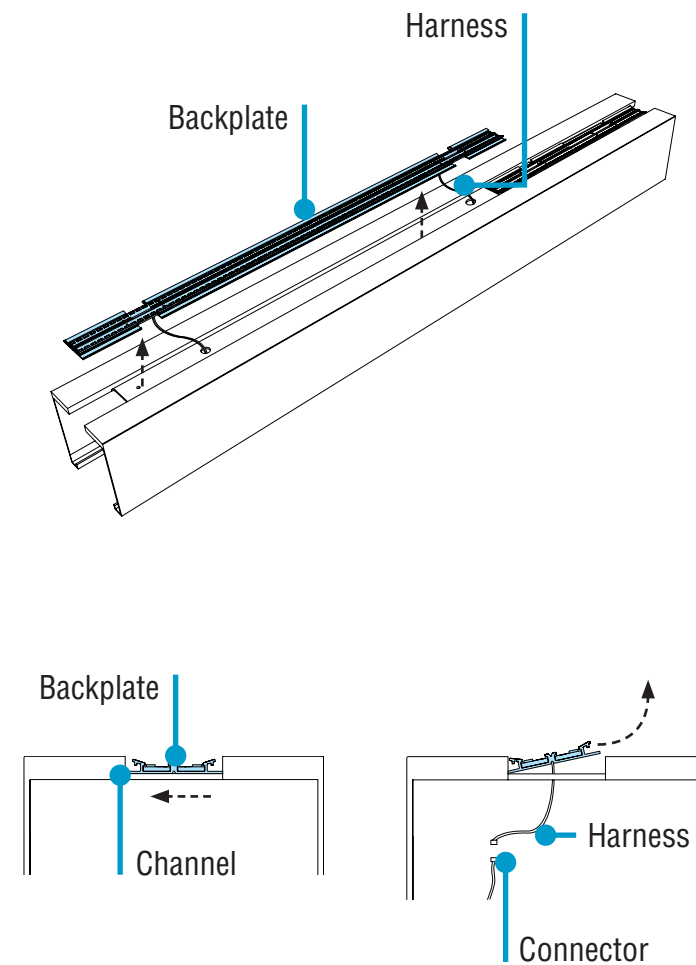
A. Remove Backplate

For ID - Indirect



- Use a putty knife or screwdriver to slip behind backplate edges and release backplate from clips at each suspension point.
- Lift backplate out of housing channel, pulling wiring harness through the housing.
- Rest backplate on top of luminaire.
- Disconnect harness from LED engine.

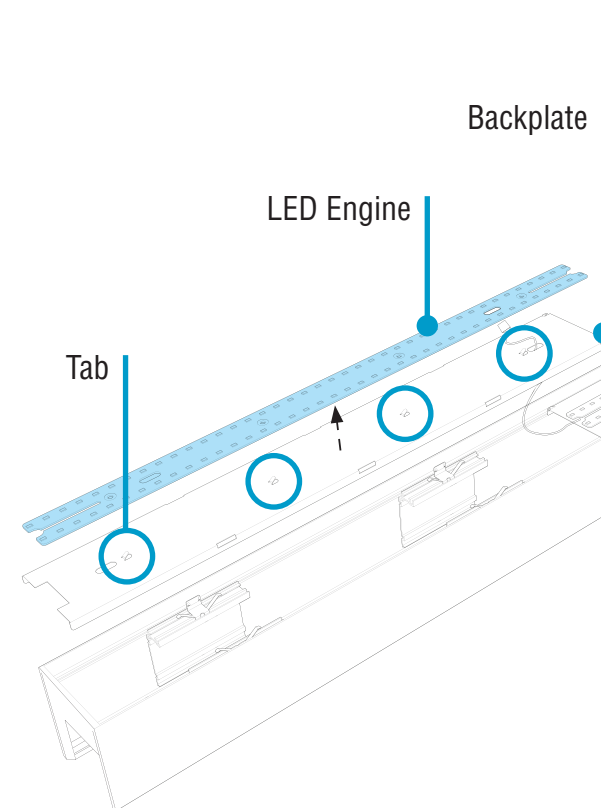
For UD - Uplight



- Pull backplate to one side of channel, then lift out.
- Rest backplate on top of luminaire.
- Disconnect harnesses from LED engine.

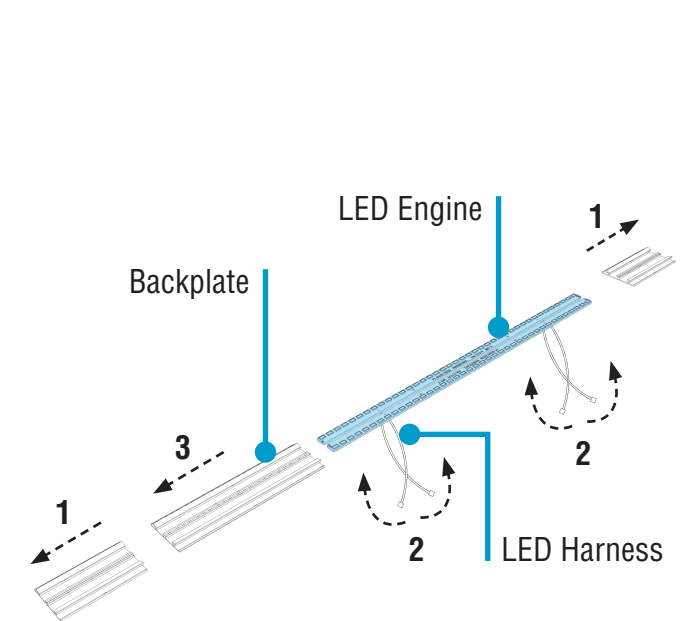
B. Remove LED Engine

For ID - Indirect



- Bend tabs to release LED engine from backplate.
- Remove old LED engine.

For UD - Uplight



- 1. Remove end backplates from LED engine.
- 2. Move LED harnesses to top of LED engine.
- 3. Remove middle backplate from LED engine.

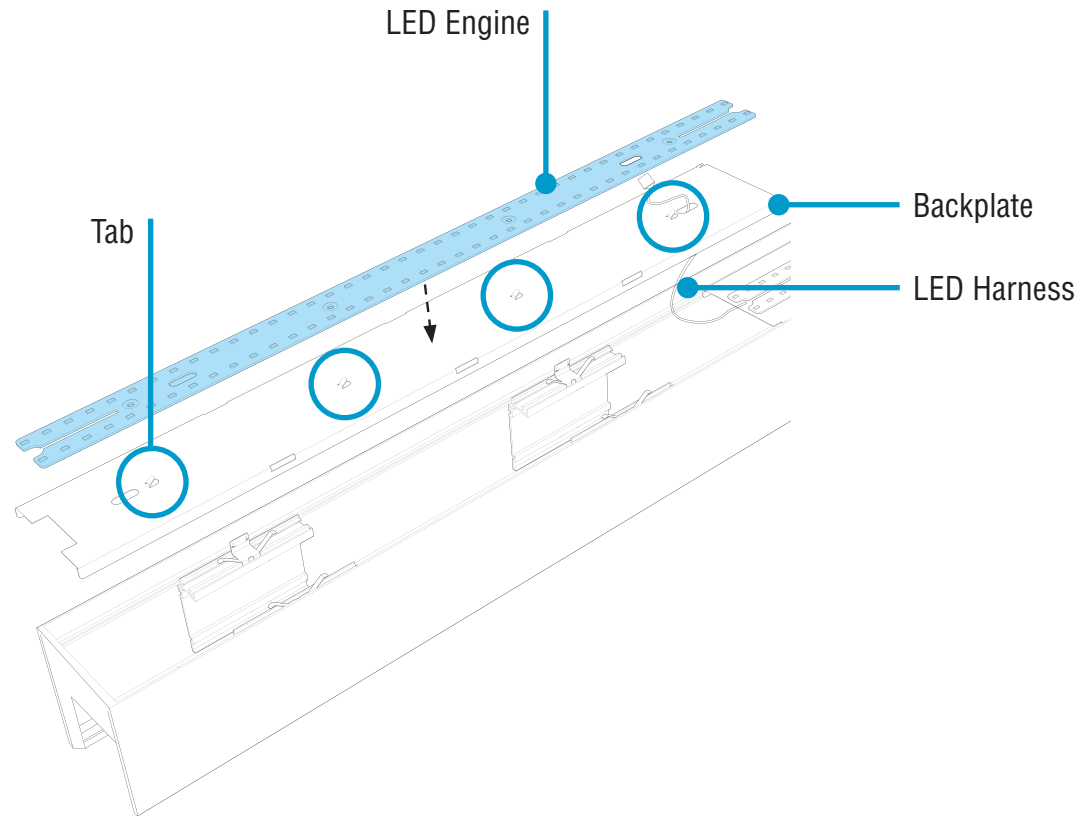
CONTINUED

H04 ID & UD LED Engine Replacement Instructions

Step 2 - Replace LED Engine

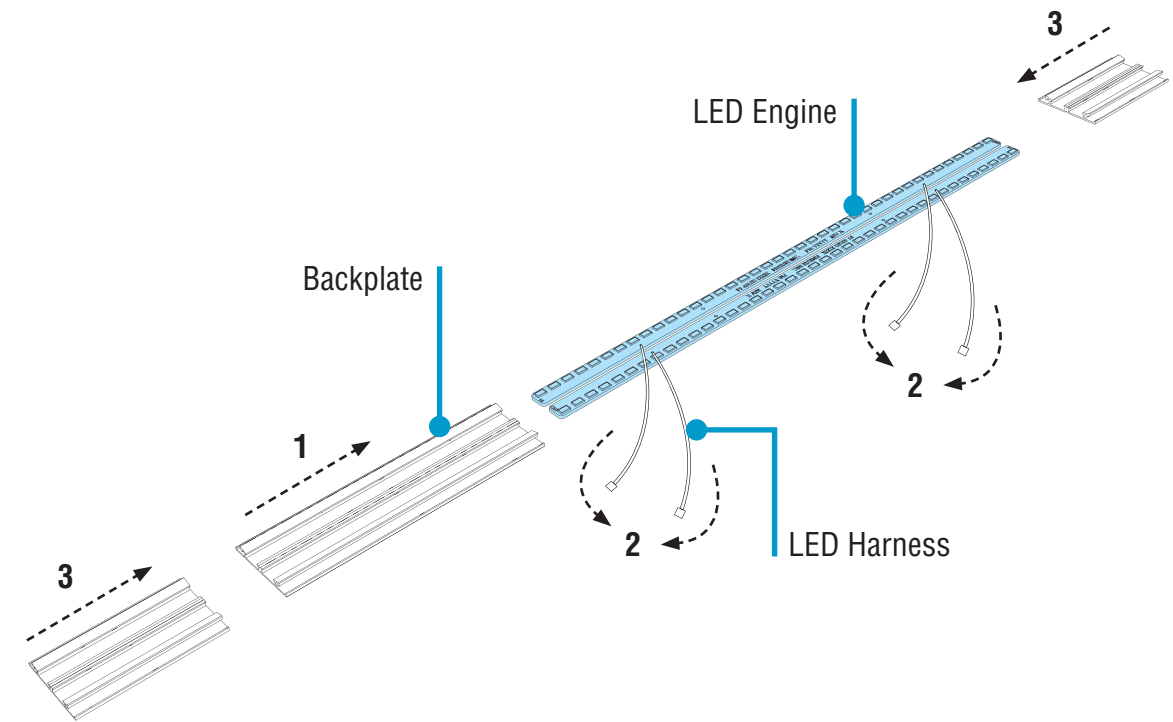
C. Replace LED Engine

For ID - Indirect



- Replace new LED engine and secure onto backplate with tabs.
- Reconnect harness to new LED engine.

For UD - Uplight



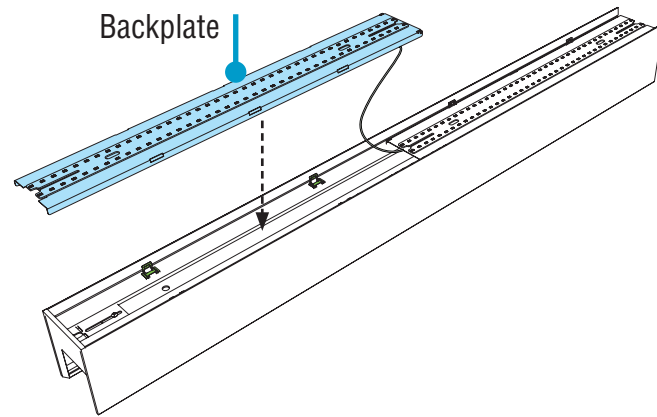
- 1. Replace middle backplate onto new LED engine.
- 2. Move LED harnesses to bottom of new LED engine.
- 3. Replace end backplates onto new LED engine.

H04 ID & UD LED Engine Replacement Instructions

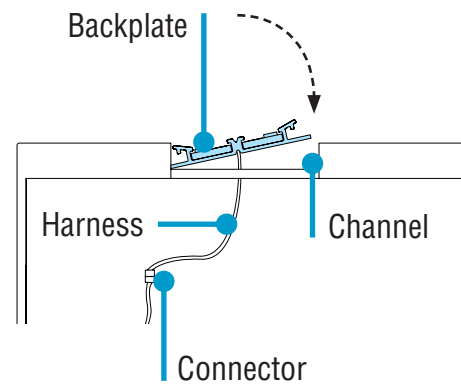
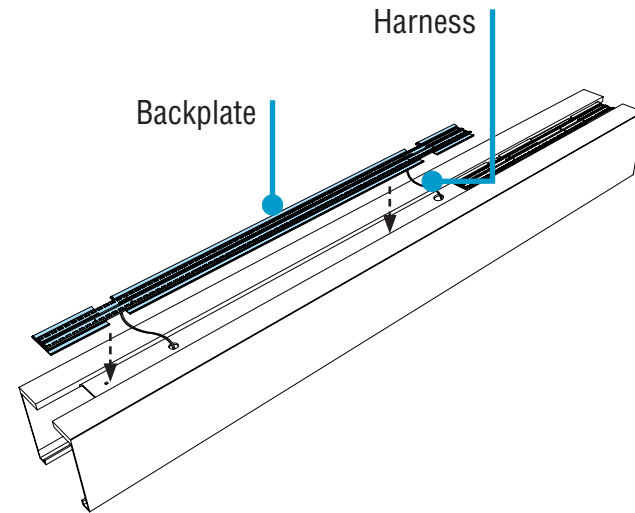
Step 3 - Closing Luminaires

A. Replace Backplate

For ID - Indirect



For UD - Uplight

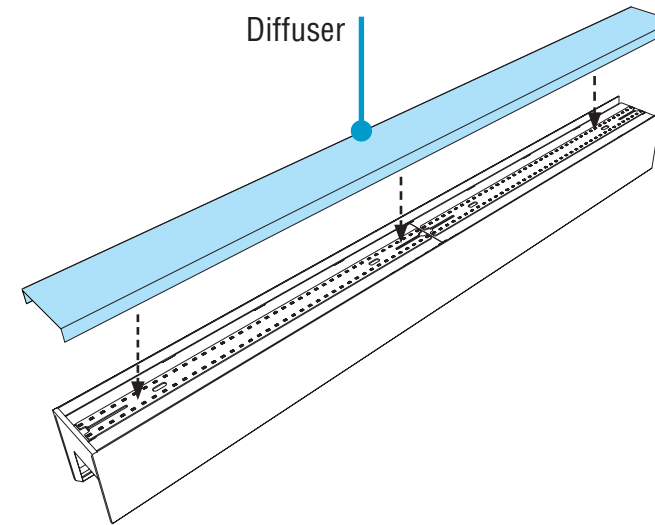


- Reconnect harnesses to LED engine.
- Replace backplate by sliding back into channel and centering.

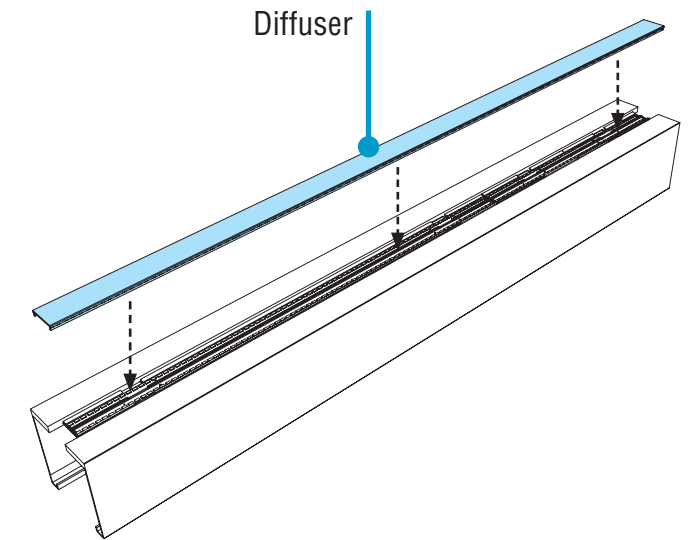
- Replace backplate by snapping back into clips.

B. Replace Diffuser

For ID - Indirect



For UD - Uplight



- **CAUTION:** Wear gloves to keep diffuser surface clean.
- **CRITICAL:** Be sure to install correct diffuser to its corresponding luminaire ID.
- Replace diffuser into luminaire.
- Turn power on to luminaire.

- **CAUTION:** Wear gloves to keep diffuser surface clean.
- **CRITICAL:** Be sure to install correct diffuser to its corresponding luminaire ID.
- Replace diffuser into luminaire.
- Turn power on to luminaire.