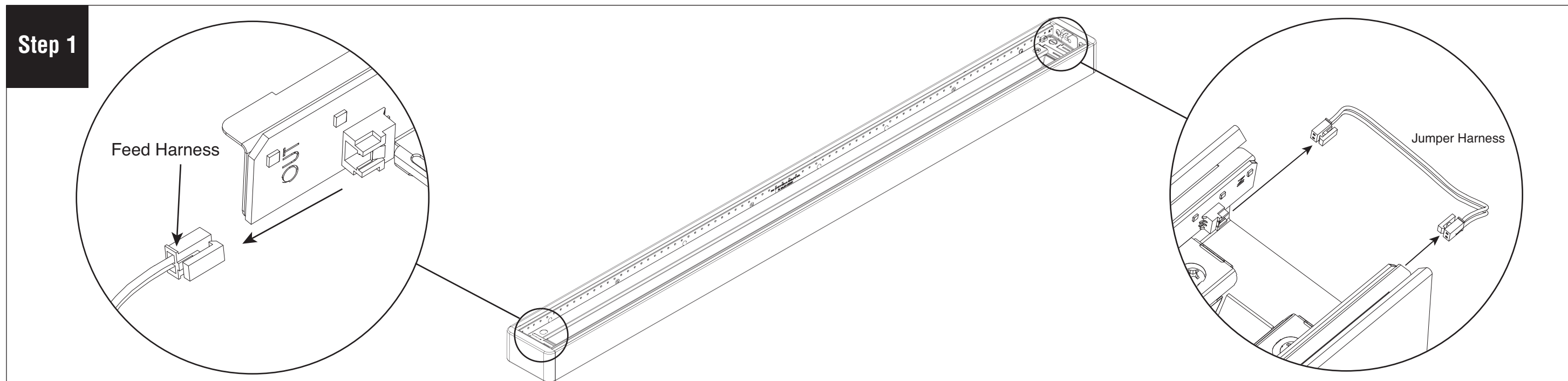


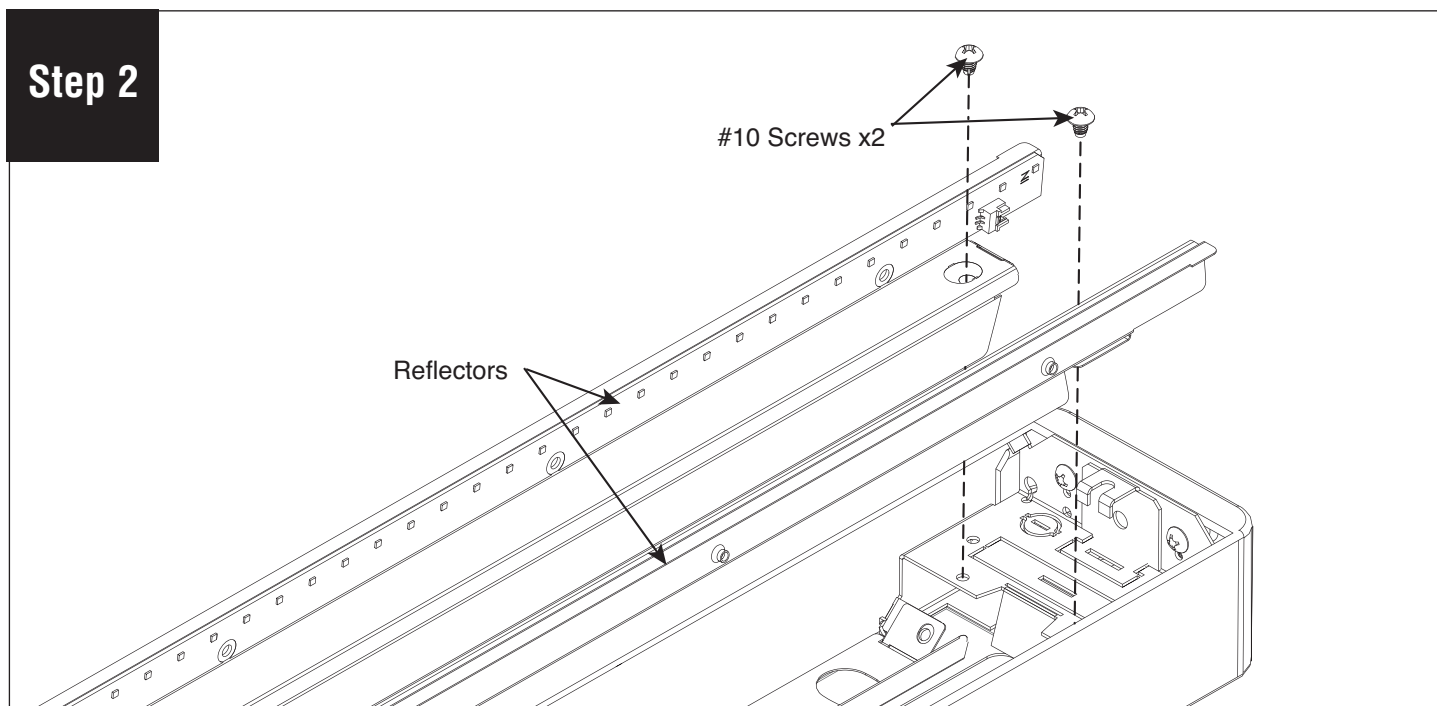
Series 18 LED Light Engine Replacement Installation Instructions

Step 1



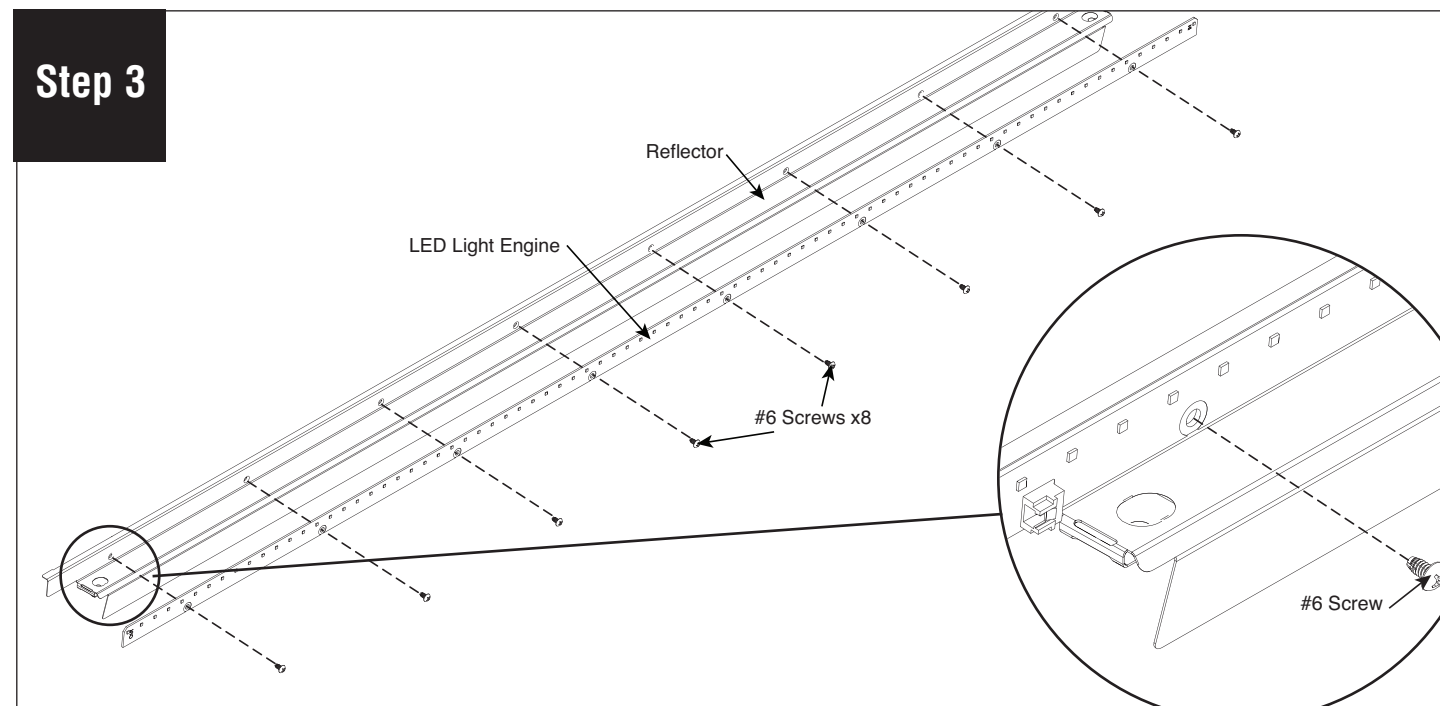
Disconnect feed harness and jumper harness from LED light engine.

Step 2



Remove (4) #10 screws that hold the reflectors into the fixture, take reflectors with the LED light engines out of the fixture.

Step 3



Remove (8) #6 screws that hold the LED light engine to the reflector and remove light engines on both sides. Reverse steps to install the new LED light engine.