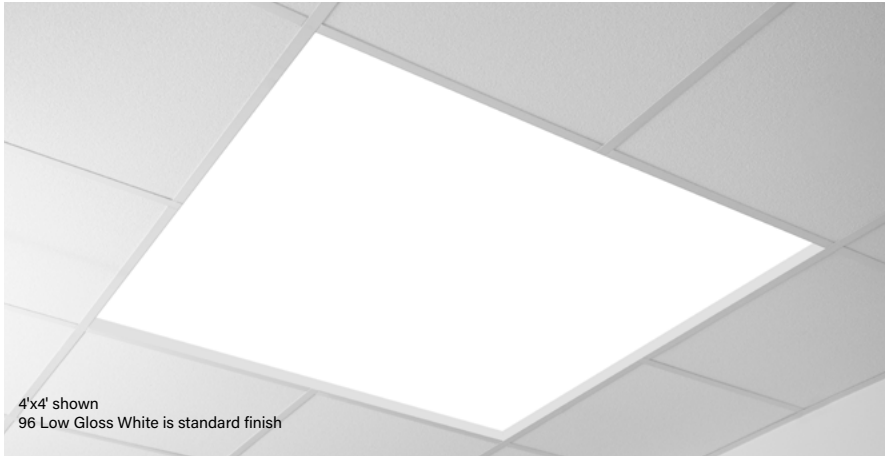


Submitted by:		Date:
Type:	Project:	
Ordering Info:		

HPT 2'x2', 3'x3', & 4'x4'

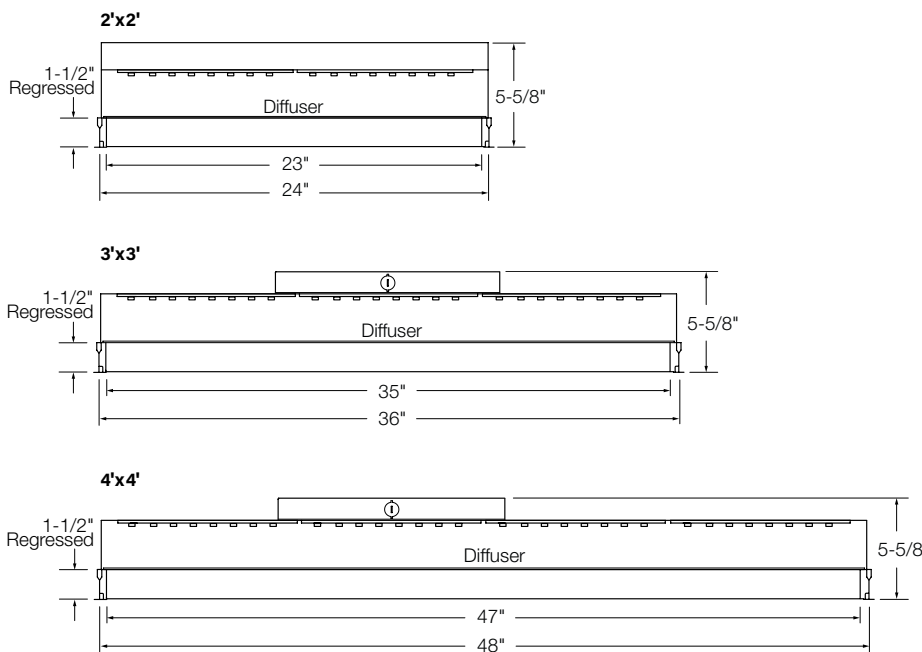


4'x4' shown
96 Low Gloss White is standard finish

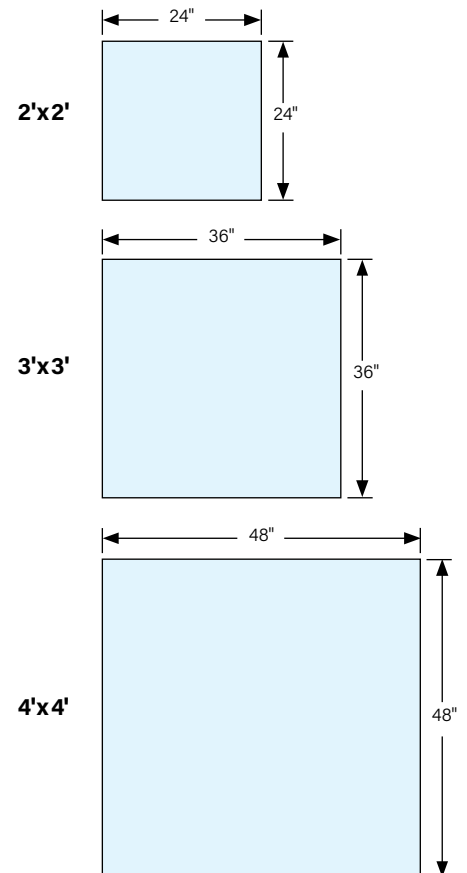
HPT is a highly efficient recessed luminaire providing exceptional performance and visual comfort. The HPT creates a seamless, elegant transition between the ceiling and luminaire, providing an ideal solution for uniform lighting and a distinguished look.

This product is enrolled in the International Living Future Institute (ILFI) Declare 2.0 Program and is third-party verified with options achieving **Red List Approved** and **Red List Declared** status.

CROSS SECTIONS (Recessed Shown)



SIZE OPTIONS



LUMEN OUTPUT PACKAGES



Standard



Boosted Standard



High



Very High



Submitted by:		Date:
Type:	Project:	
Ordering Info:		

HPT 2'x2', 3'x3', & 4'x4'

BODY TYPE			OUTPUT and LED TYPE		MECHANICAL OPTIONS
Platform	Series Name	Size	Downlight Output	LED CRI/CCT	Reflector System
HPT	RSE - Rise	2' x 2' 3' x 3' 4' x 4'	S - Standard B - Boosted Standard H - High V - Very High	830 - 80 CRI min, 3000K 835 - 80 CRI min, 3500K 840 - 80 CRI min, 4000K 930 - 90 CRI min, 3000K 935 - 90 CRI min, 3500K 940 - 90 CRI min, 4000K 8TW - 80 CRI min, Tunable White 9TW - 90 CRI min, Tunable White	96 - 96 Low Gloss White

ELECTRICAL OPTIONS

Voltage	Circuiting ¹	Driver Selection ²	
120 - 120 Voltage 277 - 277 Voltage 347 - 347 Voltage (Static White Only)	SC - Single Circuit	0-10V Driver Options FC-10% - 0-10V 10% (standard) FC-1% - 0-10V 1% OSR-10% - Osram OTi, 0-10V 10% ³ OSR-1% - Osram OTi, 0-10V 1% ⁵ ELD-10V-0% - EldoLED SOLOdrive, 0-10V 0.1% OSR-10V-TW - Osram OTi, 0-10V 10% (Tunable White) ³ DALI Driver Options FC-DALI-1% - DALI 1% OSR-DALI-1% - Osram Dexal, 1% ELD-DALI-0% - EldoLED SOLOdrive, DALI 0.1% ELD-DALI-TW - EldoLED DUALdrive LightShape, 0.1% (Tunable White)	DMX Driver Options FIN-DMX - Finelite DMX 1% (Tunable White - FineTUNE Controls Only) ⁴ ELD-DMX - EldoLED POWERdrive, 0.1% ELD-DMX-TW - EldoLED POWERdrive, 0.1% (Tunable White) Lutron Driver Options LUT-ES1 - Lutron, Ecosystem 1% LUT-TW - Lutron T-Series, EcoSystem 1% (Tunable White) See Page 3 for additional driver options and details

MOUNTING OPTIONS

OTHER OPTIONS

Mounting Method	Ceiling Type	Finish	Emergency Style (Optional)	Special Options (Optional)
FA50 - Fully Adjustable 50" ⁵ FA100 - Fully Adjustable 100" ⁵ FA150 - Fully Adjustable 150" ⁵ FA200 - Fully Adjustable 200" ⁵ FA250 - Fully Adjustable 250" ⁵ FA300 - Fully Adjustable 300" ⁵ SM - Surface Mount ⁵ DW - Drywall Kit	C1 - 15/16" T-Bar C2 - 9/16" T-Bar C2T - 9/16" Tegular C3 - Screw Slot C4 - Hard Ceiling	96 LG - 96 Low Gloss White	LGD18W - Legrand 18W Brand Battery Back-up ⁶ LGD10W - Legrand 10W Brand Battery Back-up ⁶ BSL722 - Bodine Battery Back Up ⁶ EM/GEN - Emergency to Generator GTD - Generator Transfer Device ⁶	CP - Chicago Plenum RLA - Red List Approved RLD - Declared

¹ Consult factory for switching options

² See page 3 for more details

³ Add DTO to gain "Dim to Off" functionality (FC-10% - DTO, FC-1% - DTO)

⁴ B & V outputs available for 3x3 & 4x4. B only for 2x2.

⁵ Surface Mount & Pendant (Fully Adjustable) Mount only available for 2'x2'

⁶ Available for 2'x2' only

Submitted by:		Date:
Type:	Project:	
Ordering Info:		

HPT 2'x2', 3'x3', & 4'x4'

SUPPLEMENTARY DRIVER PAGE

0-10V DRIVER OPTIONS

FC-10%	Factory choice 0-10V 10% Dimming
FC-10%-DTO	Factory choice 0-10V 10% Dimming, Dim-to-Off
FC-1%	Factory choice 0-10V 1% Dimming
FC-1%-DTO	Factory choice 0-10V 1% Dimming, Dim-to-Off
ELD-10V	EldoLED SOLOdrive, 0-10V 0.1% Dimming
10V-TW	EldoLED OTi, 0-10V 10% Dimming, <i>Tunable White</i>
10V-TW-DTO	EldoLED OTi, 0-10V 10% Dimming, Dim-to-Off, <i>Tunable White</i>
OTi-10%	EldoLED OTi, 0-10V 10% Dimming
OTi-10%-DTO	EldoLED OTi, 0-10V 10% Dimming, Dim-to-Off
OTi-1%	EldoLED OTi, 0-10V 1% Dimming
OTi-1%-DTO	EldoLED OTi, 0-10V 1% Dimming, Dim-to-Off

DALI DRIVER OPTIONS

FC-DALI	Factory choice DALI 1% Dimming
DXL-DALI	EldoLED Dexal, DALI 1% Dimming
ELD-DALI	EldoLED SOLOdrive, DALI 0.1% Dimming
DALI-TW	EldoLED Dual Drive Light Shape, DALI 0.1% Dimming, <i>Tunable White</i>

DMX DRIVER OPTIONS

DMX	EldoLED POWERdrive, DMX 0.1% Dimming (8 Bit, 1CH)
DMX-16	EldoLED POWERdrive, DMX 0.1% Dimming (16 Bit, 2CH)
DMX-TW	EldoLED POWERdrive, DMX 0.1% Dimming, <i>Tunable White</i> (8 Bit, 2CH - CH1 Warm / CH2 Cool)
DMX-TW-16	EldoLED POWERdrive, DMX 0.1% Dimming, <i>Tunable White</i> (16 Bit, 4CH - CH1, 2 Warm / CH3, 4 Cool)
FIN-DMX	Finelite DMX 1% Dimming, <i>Tunable White</i> - FineTUNE Controls Only

LUTRON DRIVER OPTIONS

LUT-ES1	Lutron, Ecosystem 1% Dimming
LUT-TW	Lutron T-Series, EcoSystem 0.1% Dimming, <i>Tunable White</i>

Submitted by:		Date:
Type:	Project:	
Ordering Info:		

HPT 2'x2', 3'x3', & 4'x4'

SPECIFICATIONS

BODY TYPE

CONSTRUCTION: Die-formed 20-gauge cold-rolled steel housing. Lift and shift lens provides easy access to light arrays and driver compartment for servicing from below. Seismic brackets are integrated into the luminaire assembly. Additional wire entrances are positioned on the ends of the housing to allow easy wiring access for the installer.

SIZES: HPT is available in 2'x2', 3'x3', and 4'x4' sizes.

ARRAY TYPE

LIGHT OUTPUT: Four lumen packages available. Standard (**S**), Boosted Standard (**B**), High (**H**), and Very High (**V**). A separate chart summarizes lumen distribution and wattage. Light engines are replaceable.

MECHANICAL OPTIONS

OPTICAL SYSTEM: 2'x2' diffusers are UV-stabilized and impact-resistant frosted virgin acrylic, 0.08" Thick. 3'x3' & 4'x4' diffuser thickness - 0.118".

LUMEN MAINTENANCE: 90% of initial light output (L90) at 100,000+ hours; 70% of initial light output (L70) at 200,000+ hours.

ELECTRICAL OPTIONS

STATIC WHITE FEED: Standard with Lead Wires. Optional whips (with flex connectors) supplied in a maximum of 11' lengths, standard whip length is 6'.

TUNABLE WHITE FEED: Standard with Lead Wires. DMX and power feed at same location (standard). Optional whips (with flex connectors) supplied in a maximum of 11' lengths, standard whip length is 6'. DMX feeds cannot be cut or spliced. DMX feeds should be ordered based on fixed lengths.

STATIC WHITE DRIVER: Replaceable 120V/277V Constant Current Reduction dimming driver standard. Can be wired dimming or non-dimming. 0-10V dimming controls with a range of 10%- 100% standard. Dimming to 1% available. Driver is fully accessible from below the ceiling.

Power factor: ≥0.9

Total Harmonic Distortion (THD): <20%

Expected driver lifetime: 100,000 hours

LUTRON STATIC DRIVER OPTIONS:

LUT-ES (LDE1) - (Hi-lume 1% EcoSystem with Soft-On, Fade-to-Black dimming (LDE1 series))

TUNABLE WHITE DRIVER: Replaceable LED driver accessible from below the ceiling. 120/277V.

- **Power factor** ≥0.90
- **Total Harmonic Distortion (THD):** <20%
- **Dimming Range:** 100% - 1%
- **Expected driver lifetime:** 100,000 hours

LUTRON TUNABLE WHITE DRIVER OPTION: LUTDTW (1% T-Series 2-Channel Digital Tunable White (PSQ Series)).

SENSORS: On-board sensors not available.

MOUNTING TYPE

T-BAR MOUNT: Standard flange design works with most lay-in ceiling types. Integral pry-out tabs secure the luminaire to the ceiling grid from above. The location of the pryout tabs allows two luminaires to be mounted adjacent to each other sharing the same T-bar. Tie-in locations for tie-wire on all corners. Consult local code for appropriate tie-wire recommendations. Drywall Kit available.

SURFACE MOUNT (2'X2' ONLY): Lay-in ceiling types: Caddy 512HD with 1/4 - 20 stud and nut. Drywall or concrete surfaces (ceilings): Caddy 512HD, 1/4 - 20 stud and nut (provided by others). Luminaire is compatible with recessed junction boxes. Electrical connections can be made directly to wiring access plate. Center of feed location is coincident with the center of the luminaire.

PENDANT MOUNT (2'X2' ONLY): 50" Fully Adjustable (**FA**) plated steel aircraft cable with safety stop hardware standard. Contact factory for additional lengths up to 300".

TUNABLE WHITE DMX MOUNTING: For grid ceiling applications, use Caddy 512 (by others) and appropriate 1/4" - 20 fastener with J-Box. For hard ceiling applications the ceiling mounting box is supplied (standard). DMX feeds cannot be cut or spliced. DMX feeds should be ordered based on fixed lengths. Available DMX pendant feed lengths are 5', 12', and 30' (5' standard).

TUNABLE WHITE DMX INTERCONNECTION CABLES: Luminaires are prewired with plug-and-play interconnection cables to support easy plug-together joining of luminaire runs. If a non-FineTune DMX system has been specified, a DMX to RJ45 converter is provided.

OTHER OPTIONS

EMERGENCY STYLE: Optional emergency to generator/inverter wiring, nightlight wiring, stepdimming driver (available for **B** & **V** outputs only), and Chicago Plenum option are available for all sizes. Available for 2'x2' only: Internal generator transfer switch, Factory Choice

Continued

Submitted by:		Date:
Type:	Project:	
Ordering Info:		

HPT 2'x2', 3'x3', & 4'x4'

SPECIFICATIONS

low-profile backup battery, or Bodine BSL722 battery pack. Backup batteries deliver 1600 lumens and illuminate a 1'x2' section.

TUNABLE WHITE ELECTRICAL OPTIONS: Emergency Option DMX: Battery backup only (Emergency to generator/inverter wiring available when using Finetune DMX driver and TCS control system).

- **DALI:** Battery backup, emergency-to-generator/ inverter wiring
- **LUTRON:** Battery backup, emergency-to-generator/inverter wiring.
- **PoE:** Contact factory. Battery Backup: Factory-choice low-profile backup battery available. Bodine BSL722 battery pack also available. Backup batteries deliver 1600 lumens. A 1' x 2' section will be illuminated in emergency mode. Backup battery will operate at 6500K in emergency. Chicago Plenum: Available on request.

FINISHES: Housing painted with 96 Low Gloss (**LG**) high reflectance matte white powder coat paint. Optional adder: Antimicrobial paint. Contact factory.

LABELS: Luminaire and electrical components are ETL listed conforming to UL 916, 1598, 8750, 924 in the U.S.A. and CAN/CSA C22.2 No. 205, 250, and 141 in Canada. In accordance with NEC Code 410.130 (G), this luminaire contains an internal driver disconnect. Damp Location. IC-rated. Finelite products use electronic components that are RoHS compliant, and the mechanical components of the luminaire have been verified to not knowingly contain any restricted substances

listed per RoHS Directive 2011/65/EU. Finelite makes the specification process easy when putting healthier products on your projects. Simply add – **RLA** (Red List Approved) or – **RLD** (Red List Declared) to your part number.

WEIGHTS:

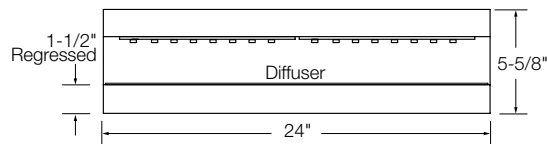
- 2'x2'** = 23.5 lbs
- 3'x3'** = 45 lbs
- 4'x4'** = 72 lbs

DLC QUALIFIED: Contact factory

WARRANTY: 10-year performance-based warranty on all standard components. Optional accessories such as emergency battery packs are covered by their individual manufacturer warranties.

PENDANT & SURFACE MOUNT CROSS SECTIONS

2'x2' Only



Submitted by:		Date:
Type:	Project:	
Ordering Info:		

HPT 2'x2', 3'x3', & 4'x4'

STATIC WHITE PHOTOMETRY

HPT-RSE-2'x2'-V-835

Efficacy: 118 lm/W

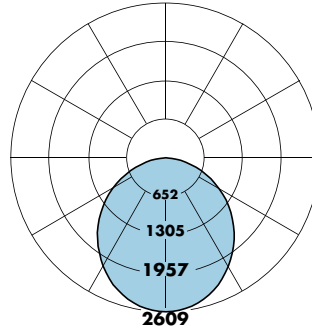
Total luminaire output: 6671 lumens
56.6 watts

Peak Candela Value: 2609 @ 0°

CRI: 80

CCT: 3500K

ITL LM79 Report 89598



CANDELA DISTRIBUTION

	0.0	22.5	45.0	67.5	90.0	FLUX
0	2609	2609	2609	2609	2609	
5	2592	2591	1252	2593	2593	246
15	2463	2460	2460	2464	2465	694
25	2228	2222	2220	2226	2231	1024
35	1915	1906	1903	1912	1918	1194
45	1552	1522	1538	1548	1556	1192
55	1167	1154	1150	1161	1171	1036
65	779	765	760	771	778	760
75	398	387	386	394	400	417
85	95	89	88	93	94	108
90	0	0	0	0	0	

Total Light Output, 3500K, 80 CRI (Lumens)				
	S ¹	B ¹	H ¹	V ²
2'x2'	3521	4527	5122	6671
3'x3'	4632	5765	8524	10791
4'x4'	8332	10371	15335	19412

Power, 3500K, 80 CRI (Watts)				
	S ¹	B ¹	H ¹	V ²
2'x2'	27.7	36.1	41.7	56.6
3'x3'	32.1	40.8	63.0	82.1
4'x4'	55.8	70.9	109.3	142.5

Efficacy, 3500K, 80 CRI (Lumens Per Watt)				
	S ¹	B ¹	H ¹	V ²
2'x2'	127	125	123	118
3'x3'	144	141	135	131
4'x4'	149	146	140	136

Sample Lumen Adjustment Calculation

Lumen Adjustment Factors 80 CRI	
3000K	0.985
3500K	1.000
4000K	1.032

Lumen Adjustment Factors 90 CRI	
3000K	0.746
3500K	0.760
4000K	0.789

High Output (H), 2x2, 4000K, 90 CRI

Lumen Adjustment Factor: 0.789

Total Light Output: 5122 lm x 0.789 = 4041 lm

$$\text{Efficacy} = \frac{4041 \text{ lm}}{41.7 \text{ W}} = 97 \text{ lm/W}$$

Wattage is Real Power. If you would like additional details to calculate Apparent Power, please contact your local Finelite representative.

S - Standard Output, B - Boosted Standard Output, H - High Output, V - Very High Output

¹ Family Correlation based on HPT 2'x2', 3500K, Very High Output (V) test - 120V.

² Based on ITL report: 89598, 91549, & 91550

Submitted by:		Date:
Type:	Project:	
Ordering Info:		

0-10V Tunable White

Finelite's award-winning, contractor friendly Tunable White luminaires are available with low cost, powerful, and simple 0-10V tuning and intensity controls.

TUNABLE WHITE FEATURES

- CCT range: 2700K - 6500K
- Dimming Range: 100% to 10%
- CRI Options: 80 CRI or 90 CRI

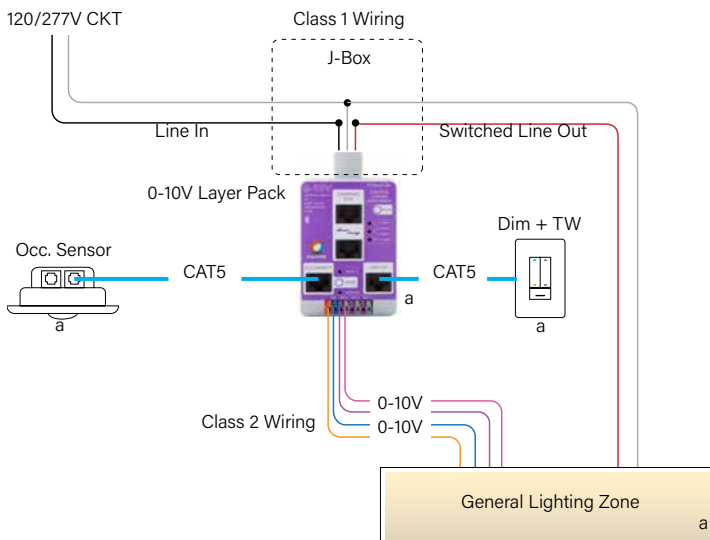
PHOTOMETRY

Apply a power adjustment factor to calculate wattage usage

POWER	CONVERSION FACTOR
	1.1X

(Example: a 50 watt luminaire in static white would draw 55 watts using 0-10V Tunable White)

WIRING DIAGRAM - DIMMABLE TO 10%



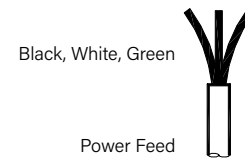
Luminaire Wiring

- **Purple (+) / Pink (-)** control wires are for intensity control
- **Orange (+) / Blue (-)** control wires are for Tunable White control

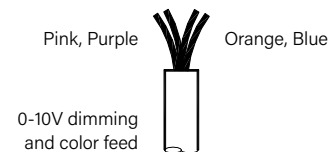
Note:

Switched Load or Dim to Off options available.

DUAL FEED DETAIL



WIRING LEGEND		
Black	Hot	Line Voltage
White	Neutral	Line Voltage
Green	Ground	



WIRING LEGEND		
Pink	Dimming	0-10V DC
Purple	Dimming	0-10V DC
Orange	TW	0-10V DC
Blue	TW	0-10V DC

