

HPT 2'x2' Surface Mount Installation Instructions

Overview

NOTES

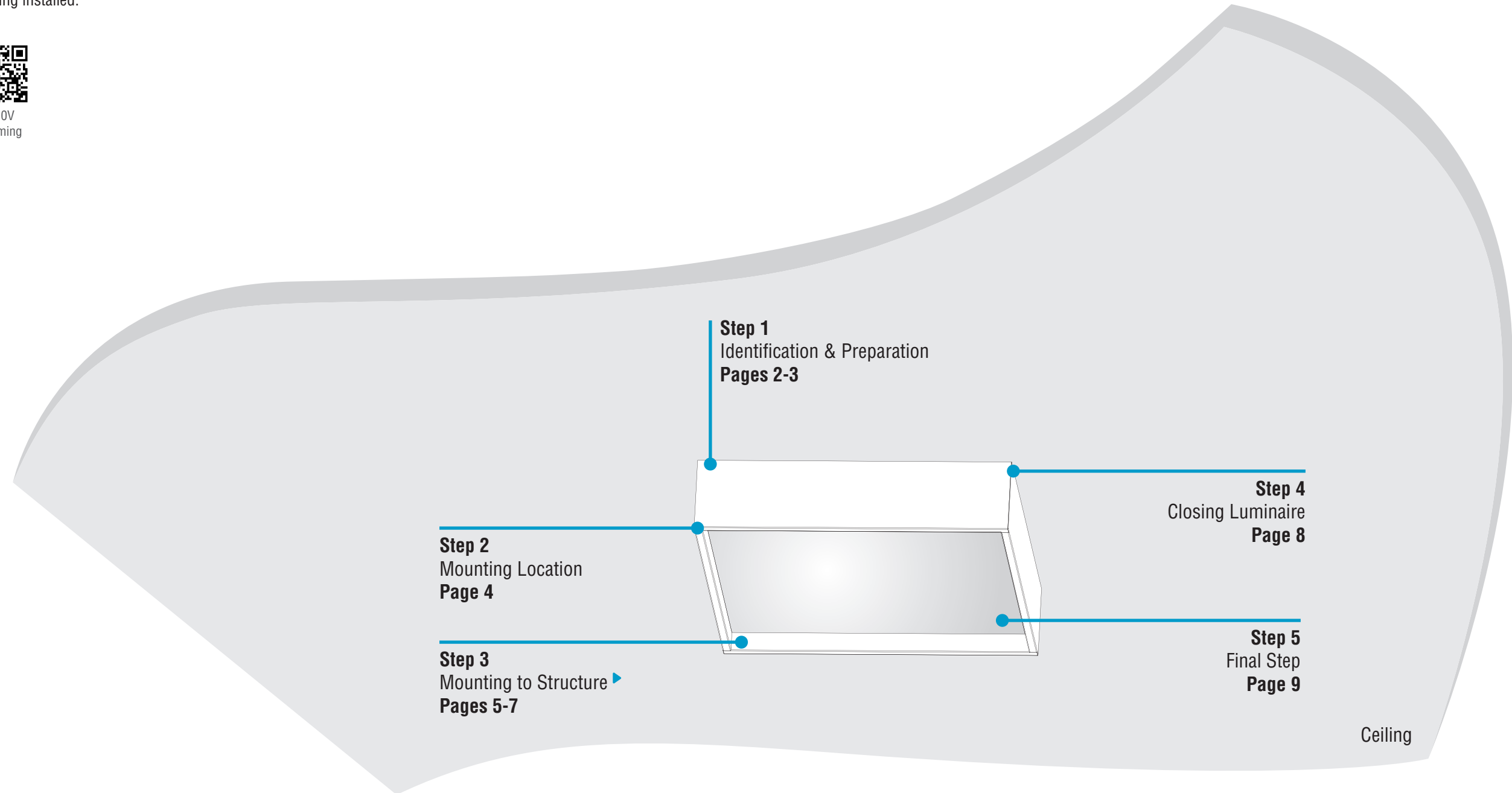
- All power connections should be installed according to local/national codes by a Certified Electrician.
- This installation requires **proper support** as each luminaire is being installed.



HELPFUL
VIDEO



0-10V
Dimming



HPT 2'x2' Surface Mount Installation Instructions

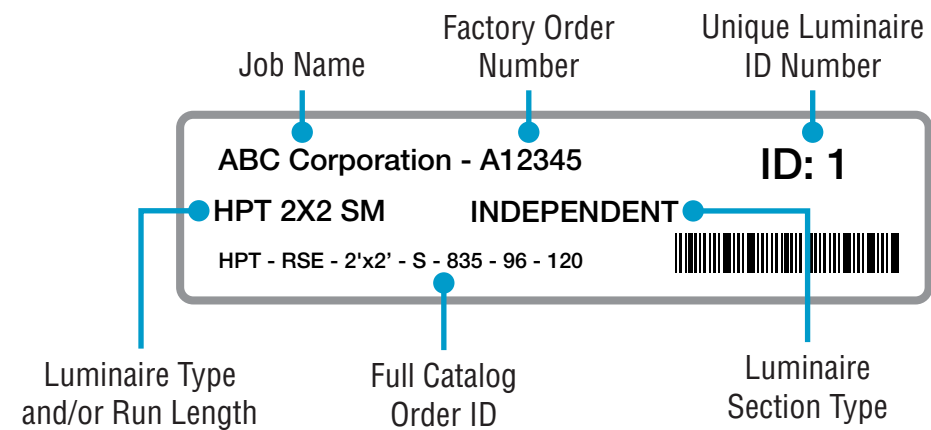
Step 1 - Identification & Preparation

Identify Luminaires



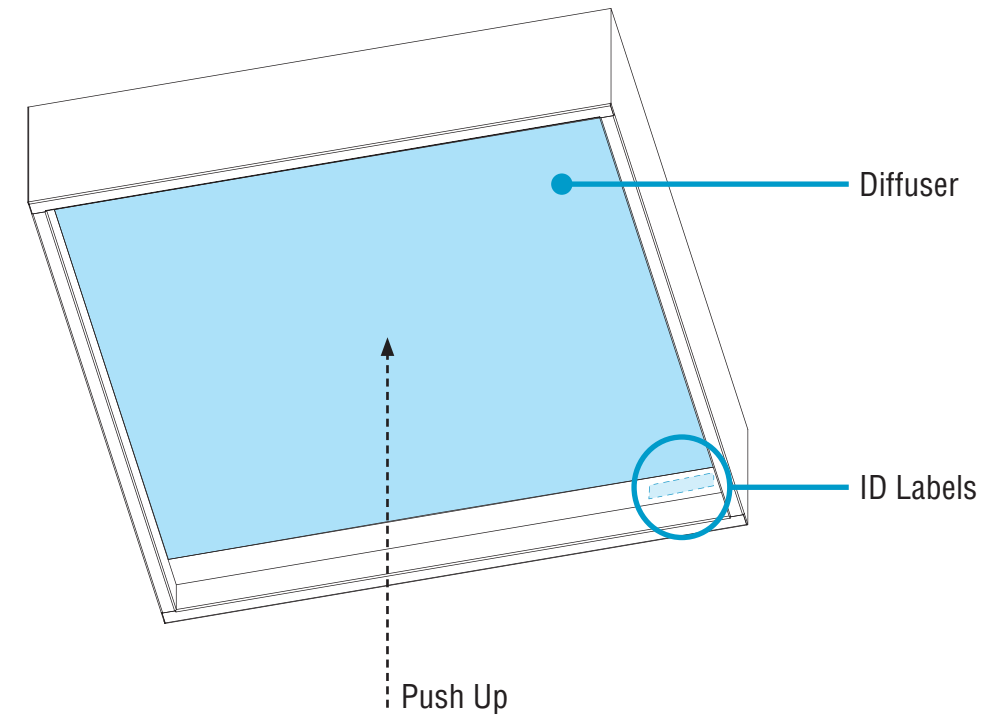
Arrange luminaires in order according to ID# at their install locations.

CAUTION



- Identify all luminaires by their ID label that can be found on the box, the diffuser and inside the luminaire.
- **NOTE:** Exact location of labels in these areas may vary.
- Remove all luminaires from their box.
- Refer to Record Drawings that can be found in the hardware kit.

Locate ID Label



- **CAUTION:** Wear gloves to keep diffuser surface clean.
- Push up diffuser to locate ID label inside luminaire.

Kitted Hardware

- Finelite has provided items listed here, with their Finelite part numbers. These items can be found in separate boxes shipped with the luminaire.
- Account for all parts and set aside until they are needed.
- All other hardware needed for this installation will be by others.



#8-18 Thread-forming Screw
Part# 94059
Mounting to Structure
p. 5, Step 3
Mounting to Structure
p. 7, Step 3

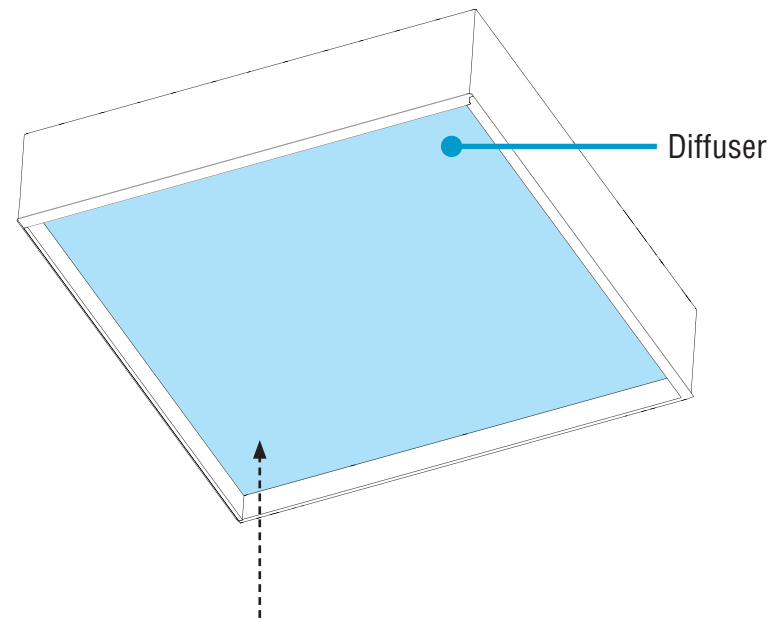


#10-32 x 3/8" Pan Phillips Type F Screw
Part# 92108
Mounting to Structure
p. 6, Step 3

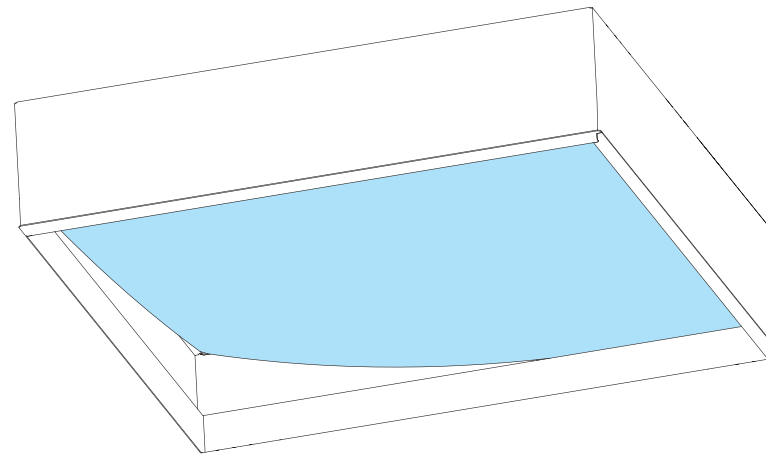
HPT 2'x2' Surface Mount Installation Instructions

Step 1 - Identification & Preparation

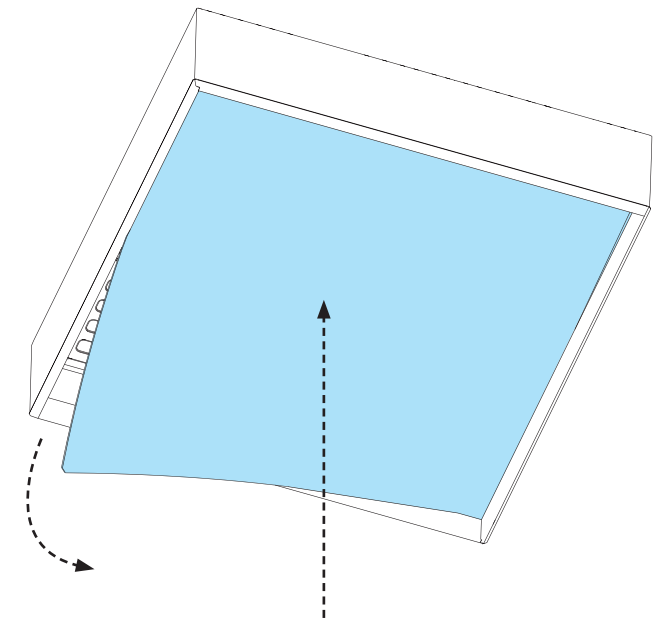
Remove Diffuser



- Gently push any corner of the diffuser upward into the body.



- Once the diffuser is pushed up, grab the corner of the diffuser using your finger as a hook.

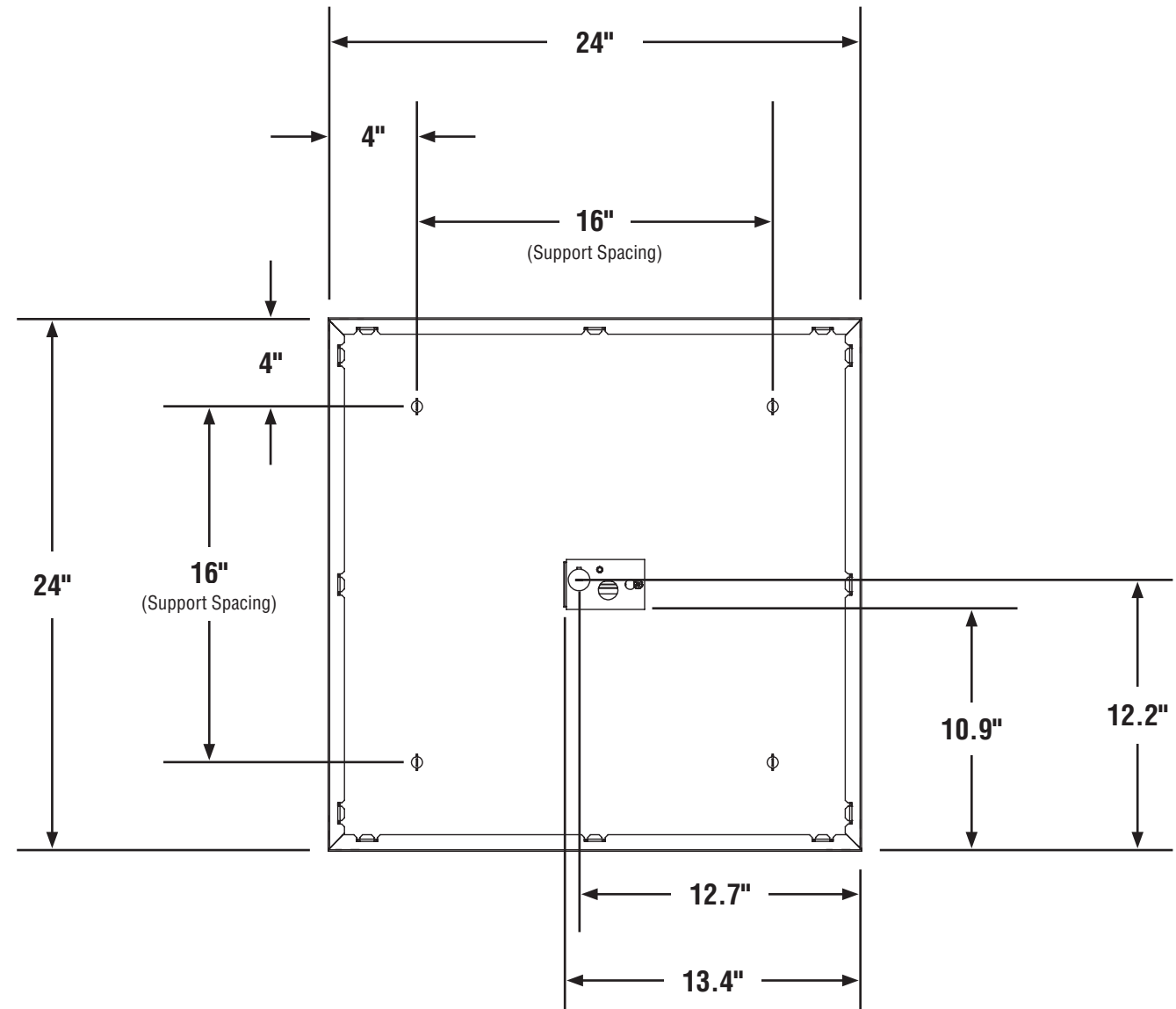
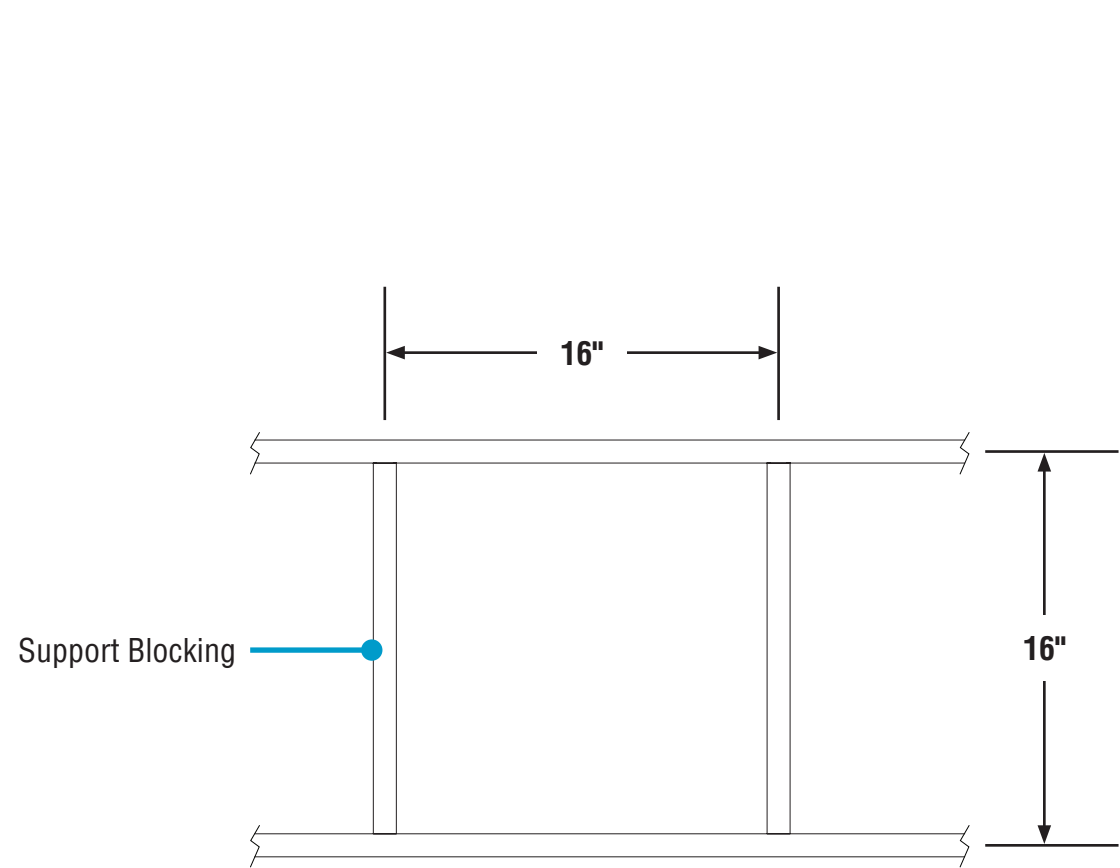


- Once the corner is hooked, gently press the center of the diffuser upward into the body. At the same time, pull the hooked corner out of the body as you gently bend the diffuser.
- Continue pulling from one corner to the next in order to dislodge the diffuser with a zipper-like motion until the diffuser is completely removed.
- Set aside all diffusers to prevent from getting dirty or damaged.
- Ensure diffuser can be clearly identified back to its corresponding luminaire.

HPT 2'x2' Surface Mount Installation Instructions

Step 2 - Mounting Location

Mounting Measurements

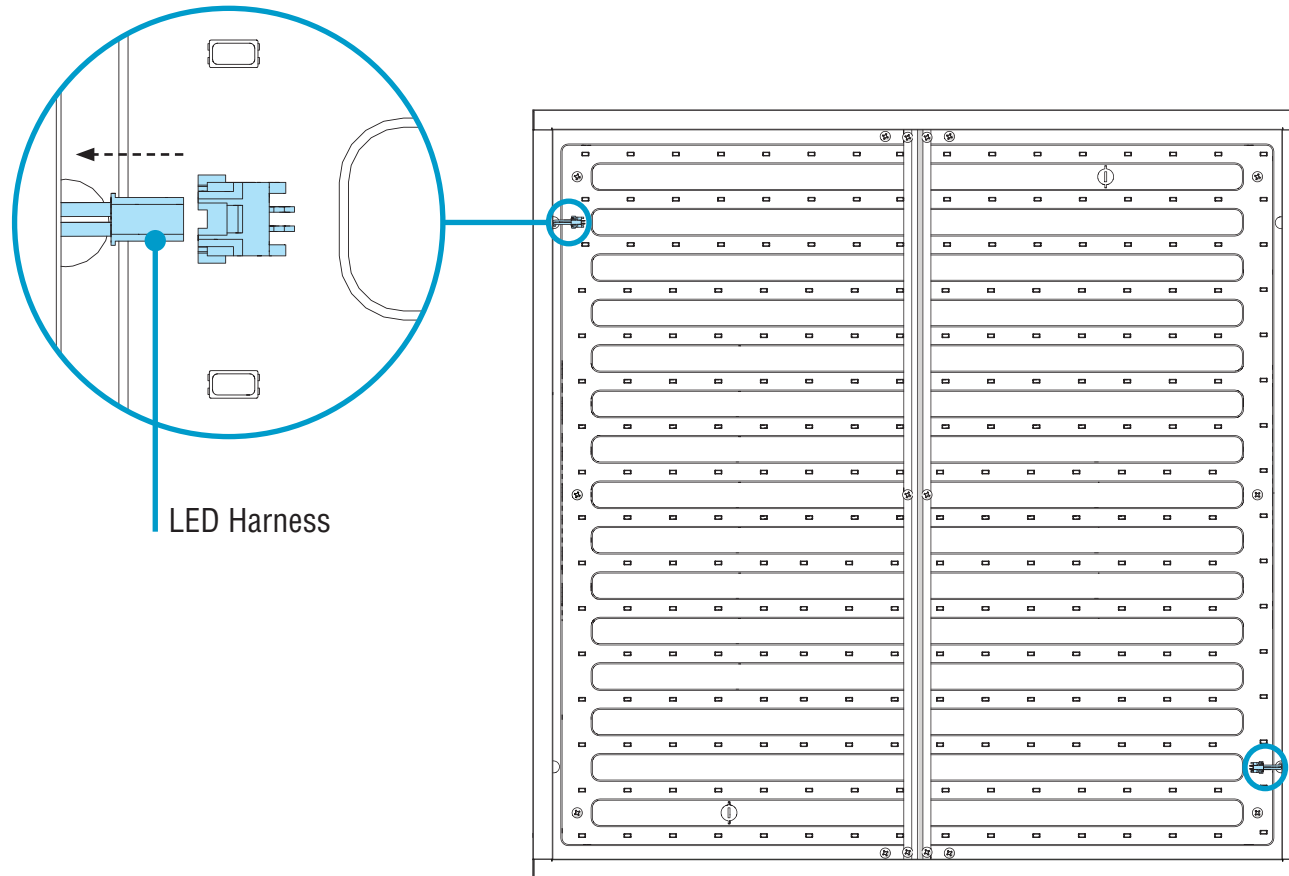


- Luminaire mounting holes sized for 1/4"-20 hardware.
- Refer to Record Drawings and building plans to determine exact mounting, suspension points, and power feed locations.

HPT 2'x2' Surface Mount Installation Instructions

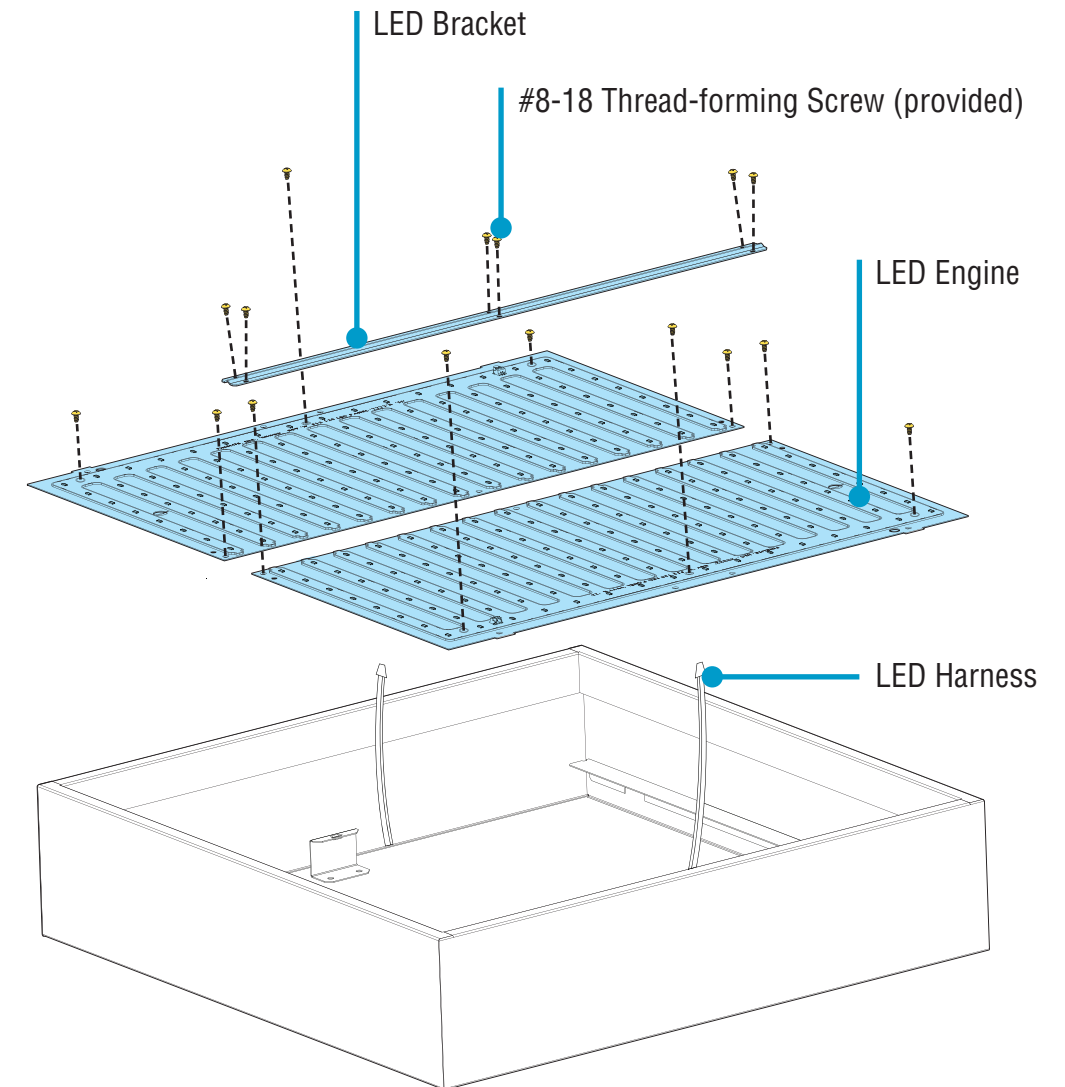
Step 3 - Mounting to Structure

A. Disconnect LED Harnesses



- Disconnect LED Harnesses.

B. Remove LED Engine & Bracket



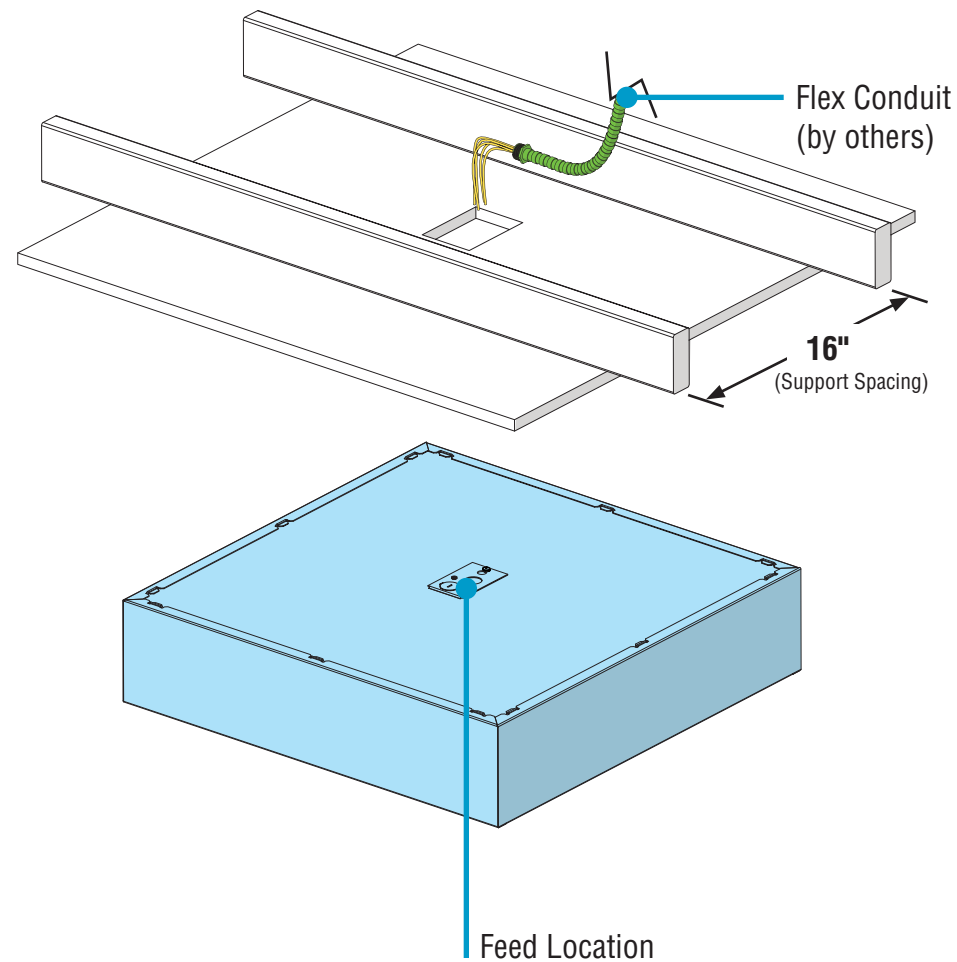
- Remove LED engine and LED bracket by removing the #8-18 thread-forming screws.



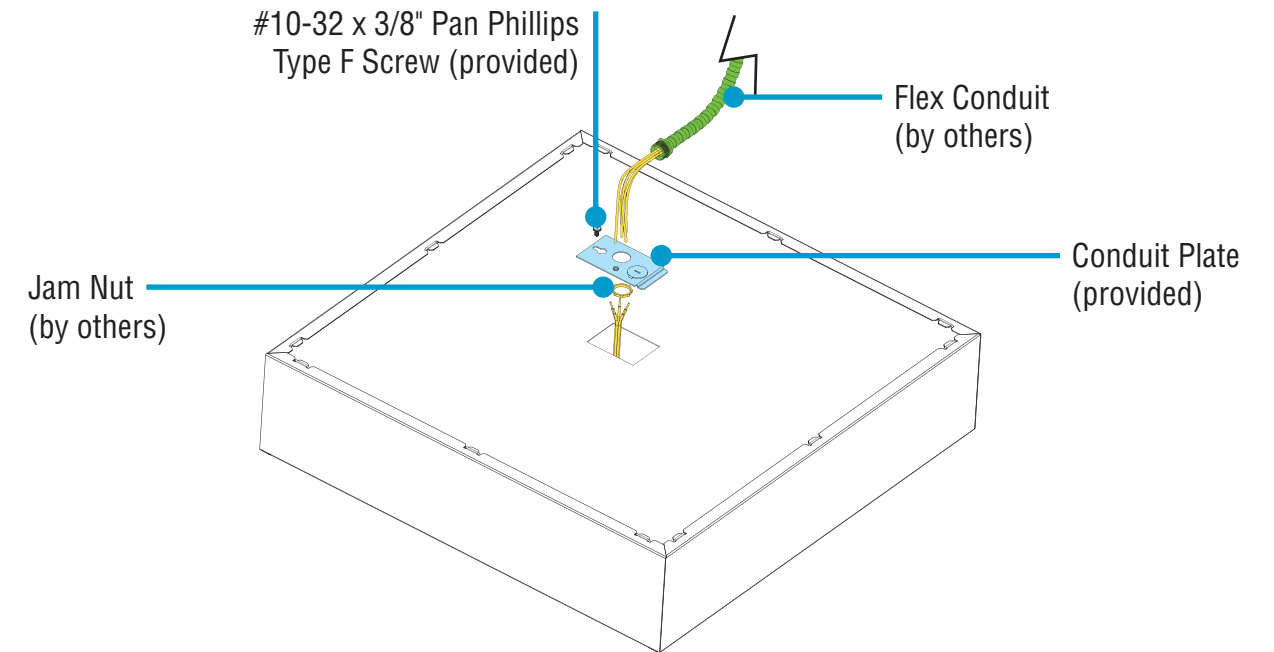
HPT 2'x2' Surface Mount Installation Instructions

Step 3 - Mounting to Structure

C. Make Electrical Connections

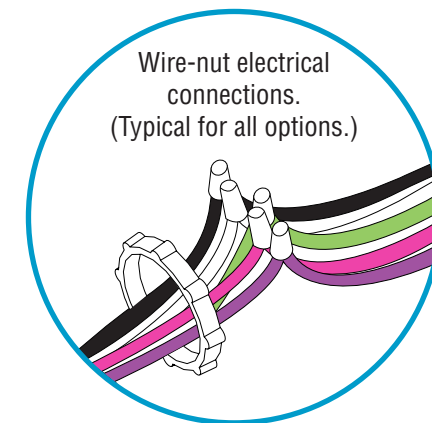


- While properly supporting luminaire, maneuver luminaire near wall/ceiling opening.
- Make electrical connections at **TOP** of luminaire.



WIRING LEGEND

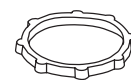
Black	Hot	Line Voltage
White	Neutral	Line Voltage
Green	Ground	
Pink	Dimming	0-10V DC
Purple	Dimming	0-10V DC



- Remove #10-32 x 3/8" Pan Phillips Type F screw holding conduit plate.
- Install flex conduit and jam nut onto conduit plate.
- Wire-nut electrical connections. See wiring legend above.
- Tuck wires back into luminaire.
- Reinstall conduit plate and #10-32 x 3/8" Pan Phillips Type F screw. Do not damage wires.



#10-32 x 3/8" Pan Phillips Type F Screw (provided)



Jam Nut (by others)



Flex Conduit (by others)

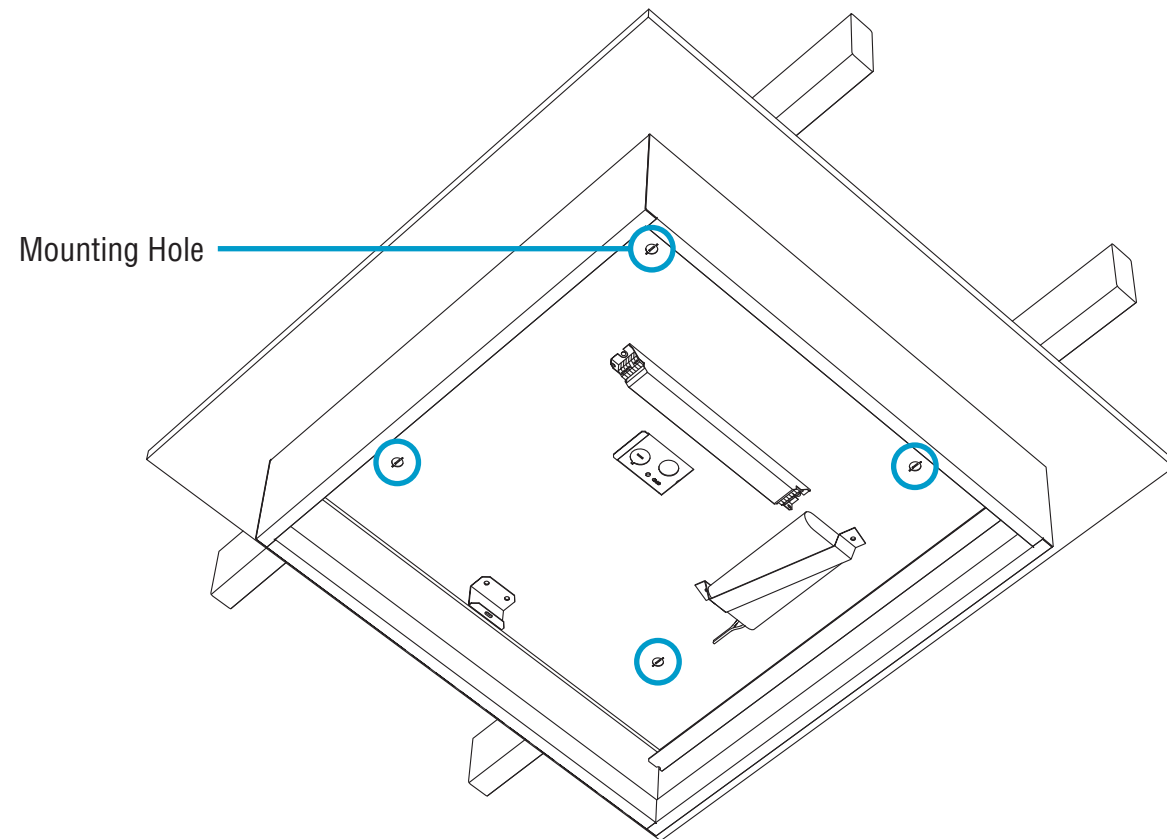


0-10V
Dimming

HPT 2'x2' Surface Mount Installation Instructions

Step 3 - Mounting to Structure

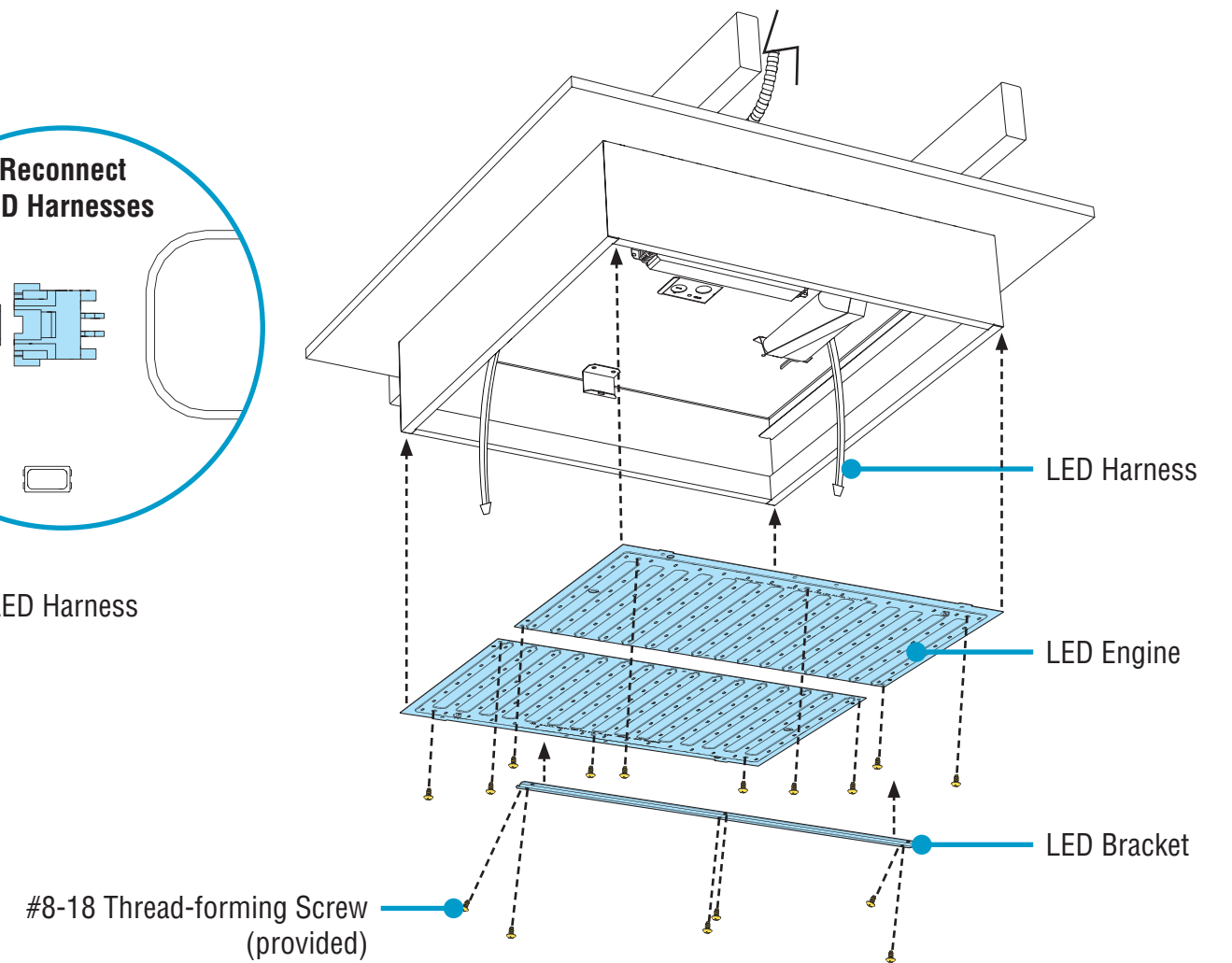
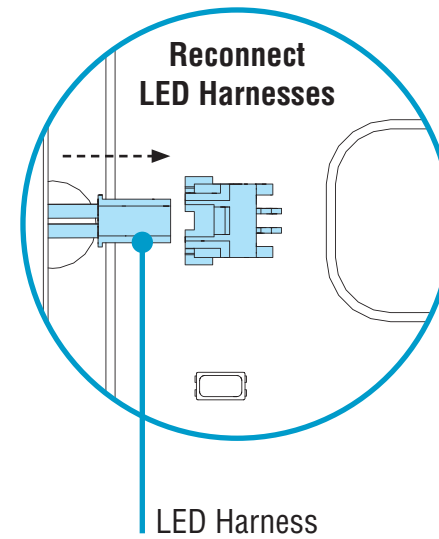
D. Mount Luminaire to Structure



- Mount luminaire to structural support using appropriate fasteners with 3/4" OD washers at the mounting hole locations.

 #8-18 Thread-forming Screw
(provided)

E. Replace LED Engine & Bracket

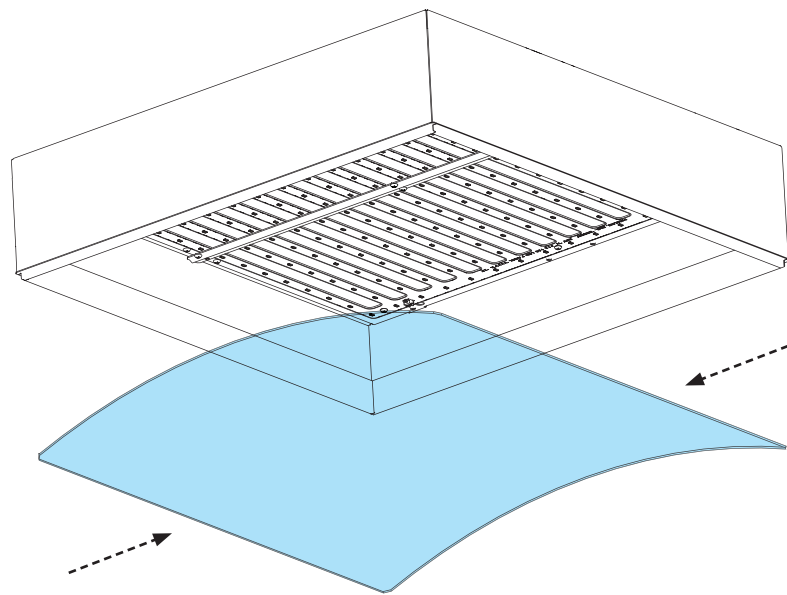


- Reconnect LED harnesses.
- Reinstall LED engine and LED bracket by replacing the #8-18 thread-forming screws.

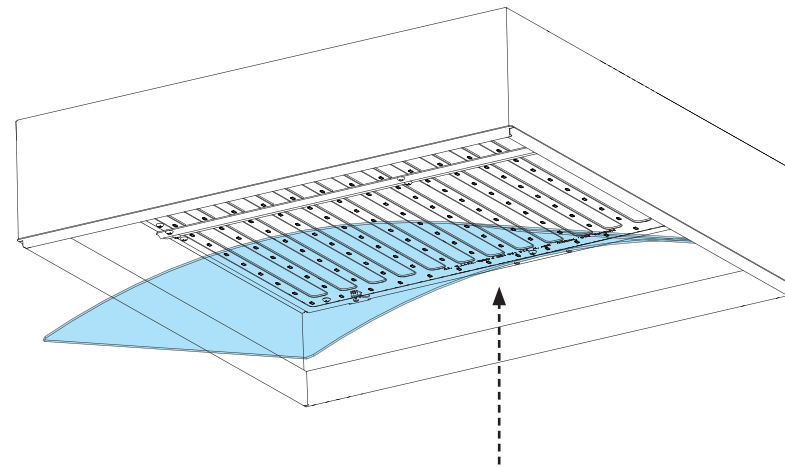
HPT 2'x2' Surface Mount Installation Instructions

Step 4 - Closing Luminaire

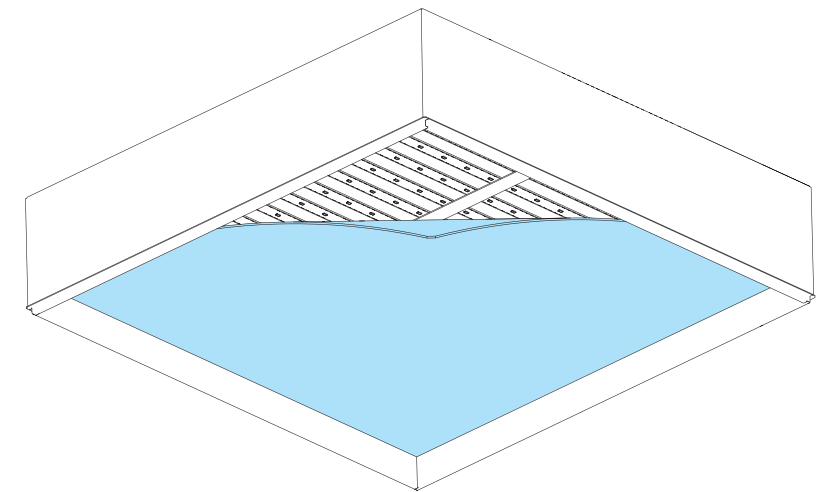
Replace Diffuser



- **CAUTION:** Wear gloves to keep diffuser surface clean.
- **CRITICAL:** Be sure to install correct diffuser to its corresponding luminaire ID.
- Hold diffuser on either side as indicated by the arrows.
- Gently bend diffuser.



- Place one edge of the diffuser into the luminaire.
- Push the rest of the diffuser into the luminaire from one corner to the next.

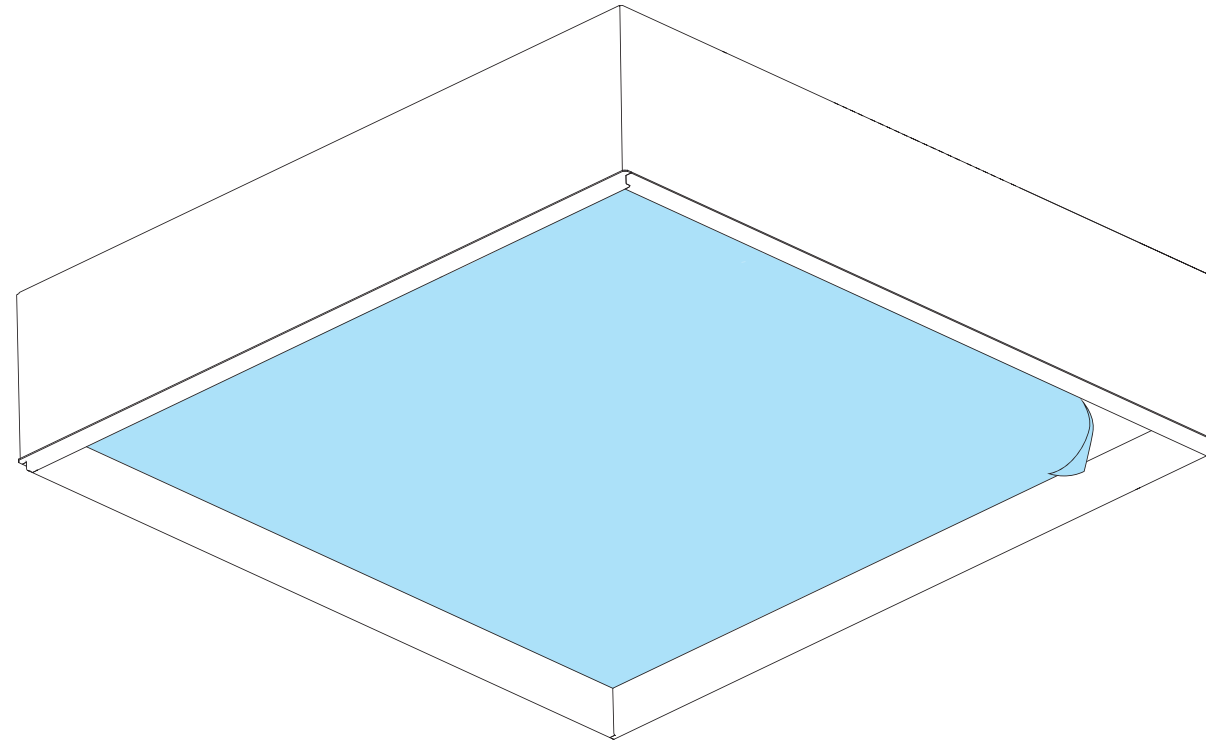


- Push a corner into the luminaire and then work your way across diffuser to the next corner.

HPT 2'x2' Surface Mount Installation Instructions

Step 5 - Final Step

Remove Protective Film



- Remove protective film carefully.
- Turn power on to luminaire.