

# HP-2 / HP-4 / HP-6 LED Engine Replacement Instructions

## Overview

### NOTES

- All power connections should be installed according to local/national codes by a Certified Electrician.
- This installation requires **proper support** as each luminaire is being installed.
- **DO NOT attempt to join luminaires together on the floor.** Damage may result when lifted.



HELPFUL  
VIDEOS



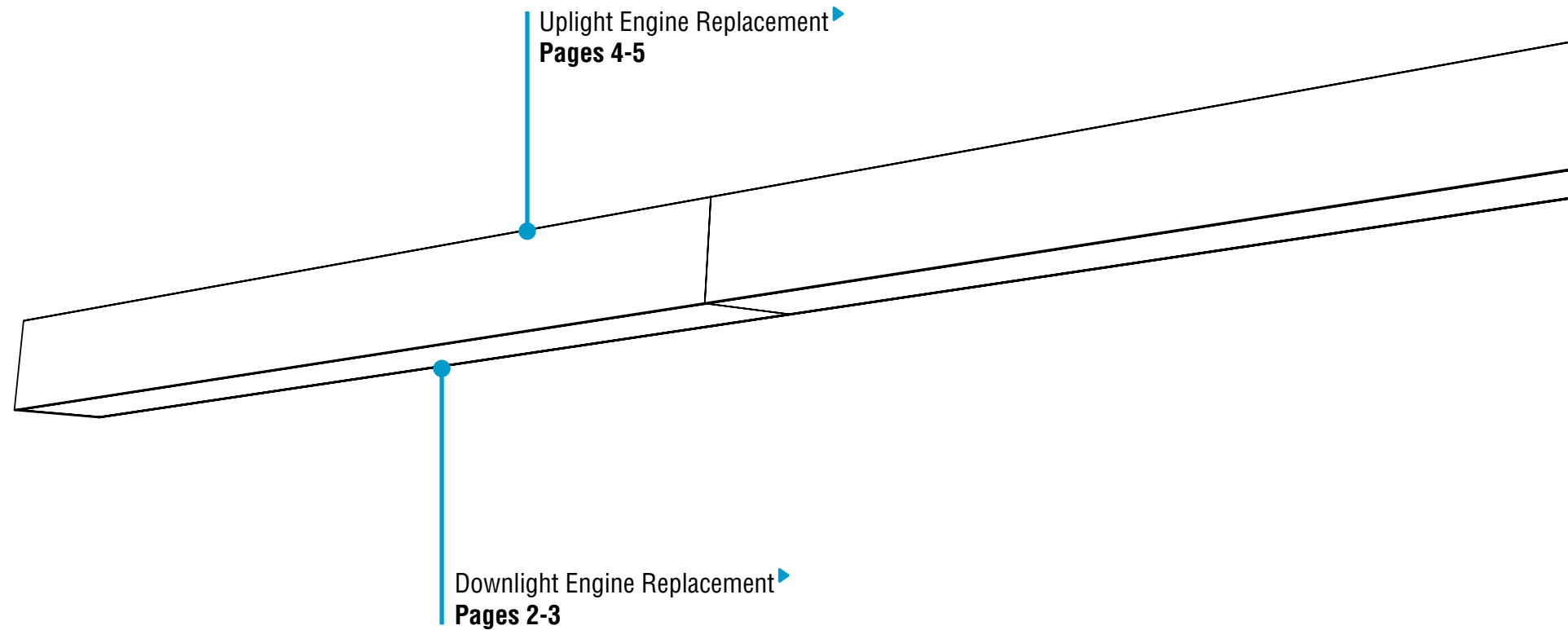
Louver  
Removal



Effortless  
Access



LED Engine  
Replacement

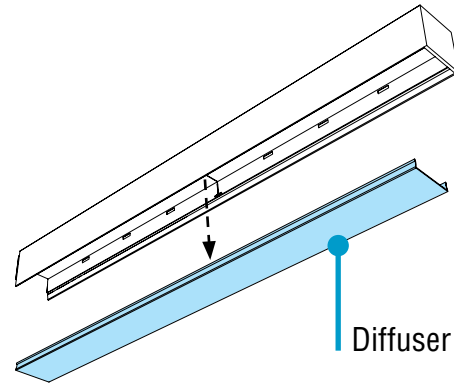


# HP-2 / HP-4 / HP-6 Downlight LED Engine Replacement Instructions

## Step 1 - Opening Luminaire

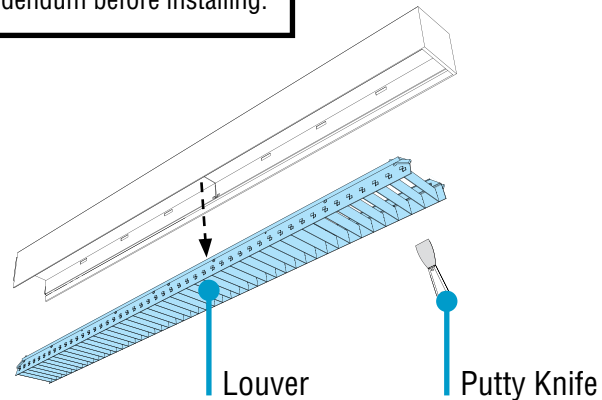
### A. Remove Diffuser or Louver

Remove Diffuser



Remove Louver (HP-2 & HP-4 ONLY)

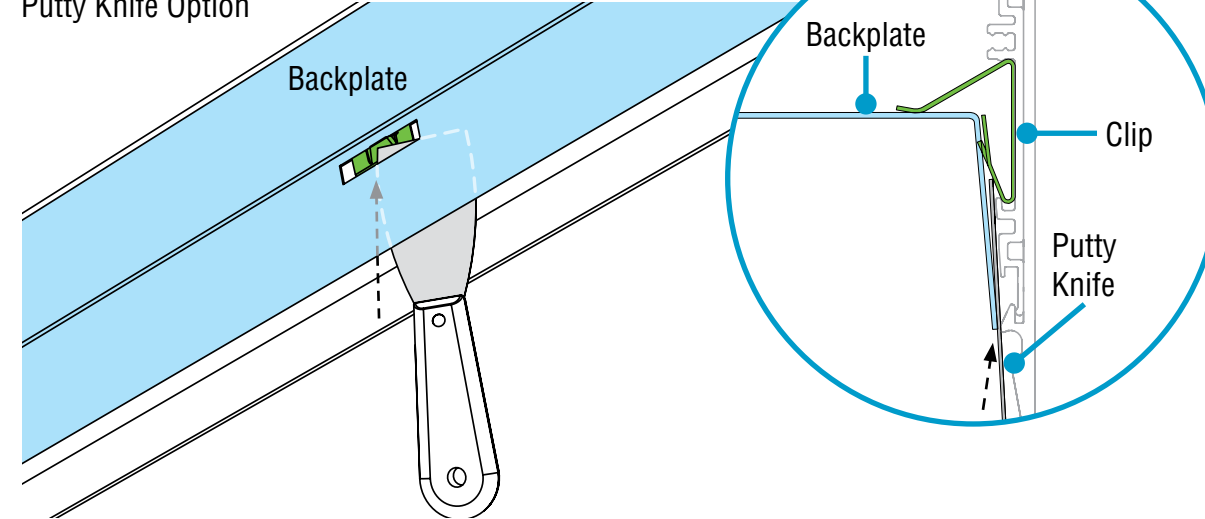
**NOTE:** For White Cross Blade Baffle, refer to Baffle Tether Addendum before installing.



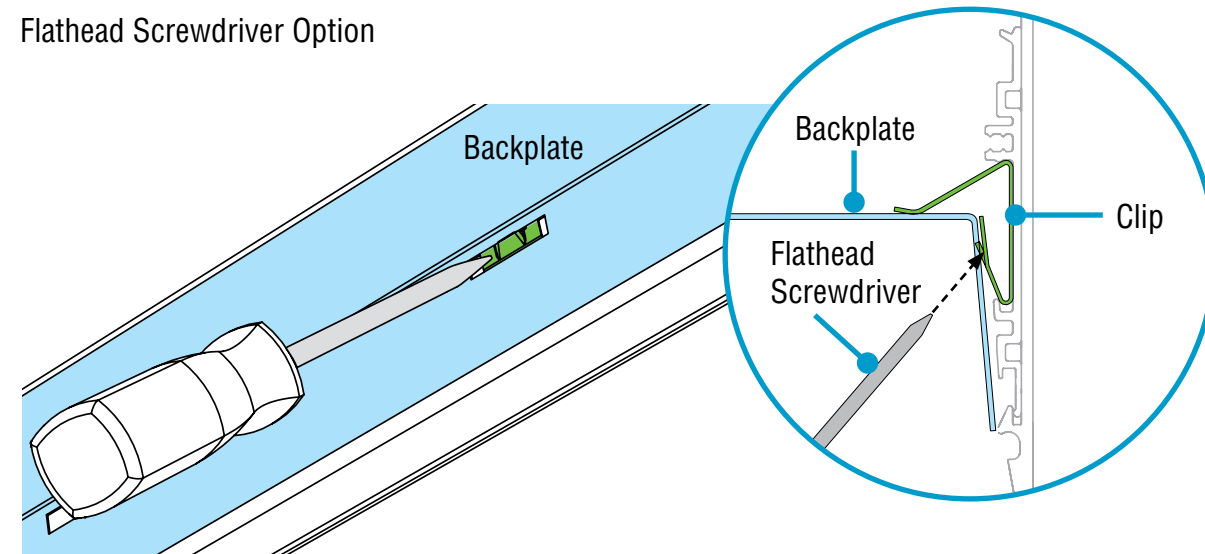
- **CAUTION:** Wear gloves to keep diffuser or louver surface clean.
- Carefully remove diffuser or louver and set aside to prevent from getting dirty or damaged.
- **FOR LOUVERS:** Release louvers by inserting the blade of a putty knife approximately 1" behind louver edges and pry down.
- Ensure diffuser or louver can be clearly identified back to its corresponding luminaire.

### B. Release Backplate

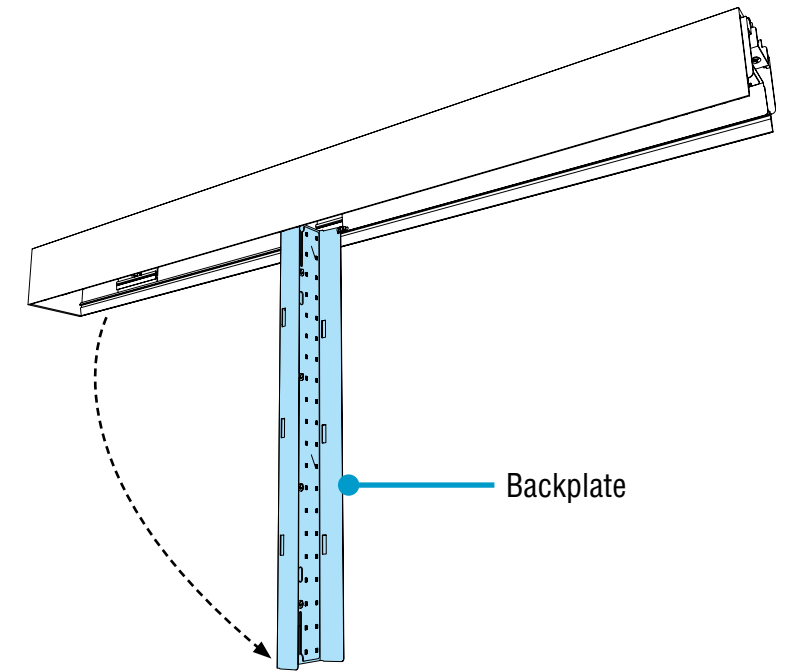
Putty Knife Option



Flathead Screwdriver Option



- Release backplate from clips by sliding the blade of a putty knife behind backplate edges.
- To use a flathead screwdriver, press end of screwdriver (from inside the luminaire) against the clip, until the backplate is released.



- Carefully rotate backplate out and let it hang from luminaire body.



Louver  
Removal

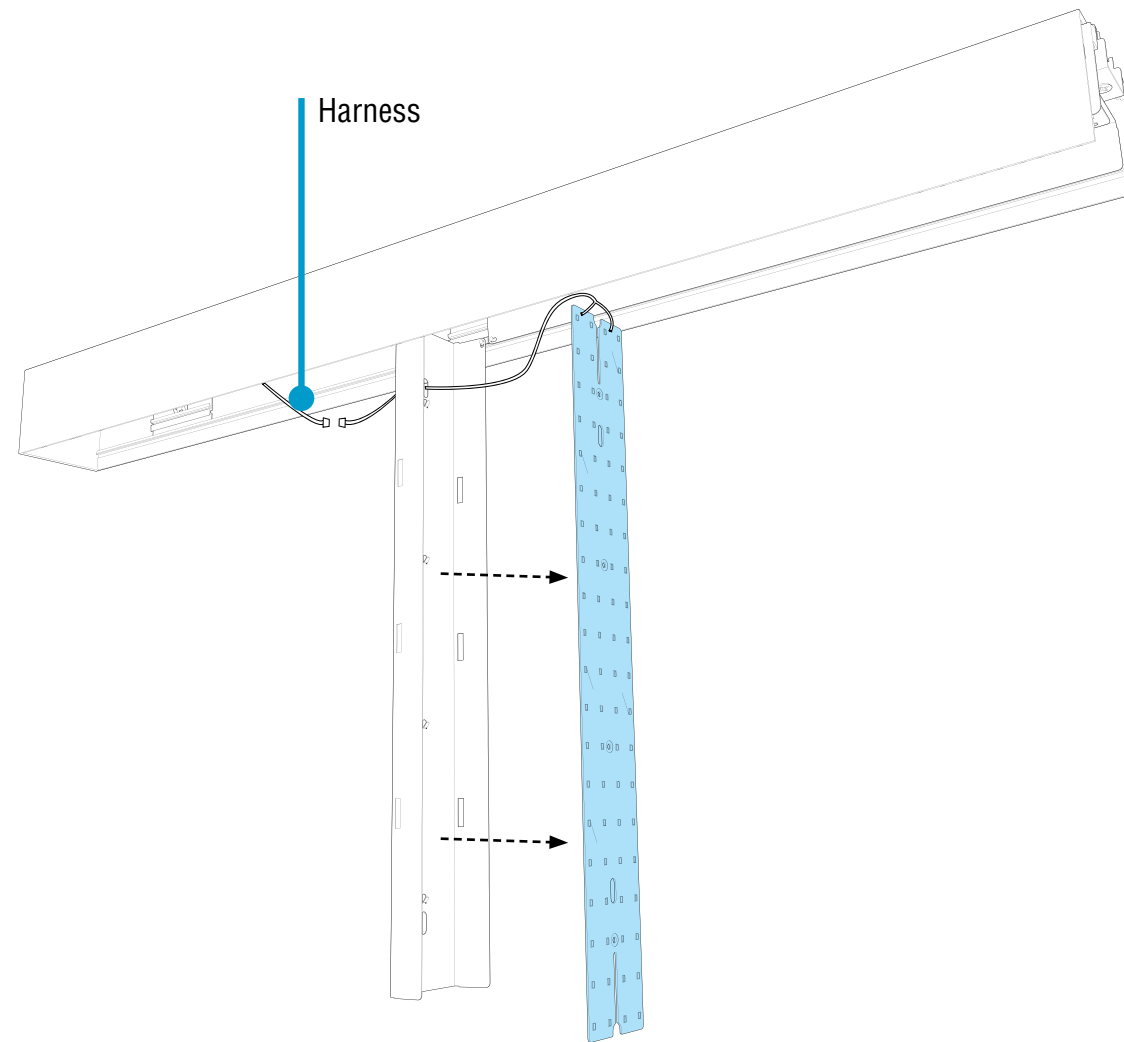


Effortless  
Access

# HP-2 / HP-4 / HP-6 Downlight LED Engine Replacement Instructions

## Step 2 - Replace Engine

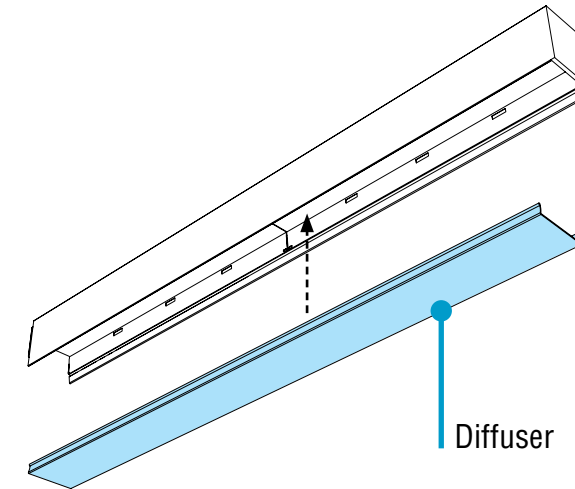
### A. Release & Replace Downlight Engine



- Disconnect harness from LED engine.
- Clip the rivet. Remove the shunt.
- Bend tabs to release LED engine from backplate.
- Replace with new LED engine and secure onto the backplate with tabs.
- Reconnect harness to LED engine. Replace the shunt.
- Replace backplate by snapping back into clips. Bend tabs down to retain LED engine.

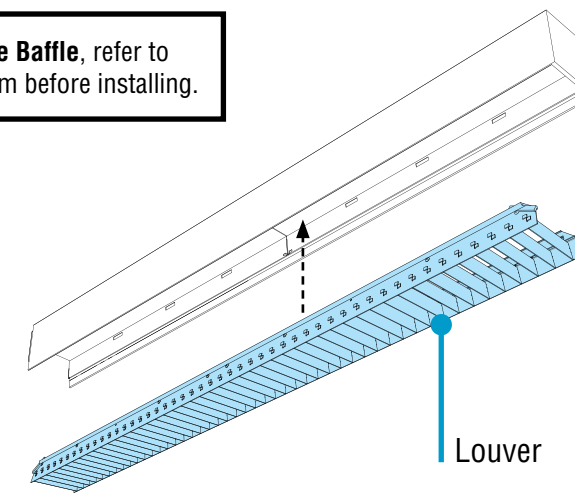
### B. Replace Diffuser or Louver

Replace Diffuser



Replace Louver (HP-2 & HP-4 ONLY)

**NOTE:** For White Cross Blade Baffle, refer to Baffle Tether Addendum before installing.



- **CAUTION:** Wear gloves to keep diffuser or louver surface clean.
- **NOTE:** For White Cross Blade Baffle, refer to Baffle Tether Addendum before installing.
- Replace diffuser or louver and turn power on.

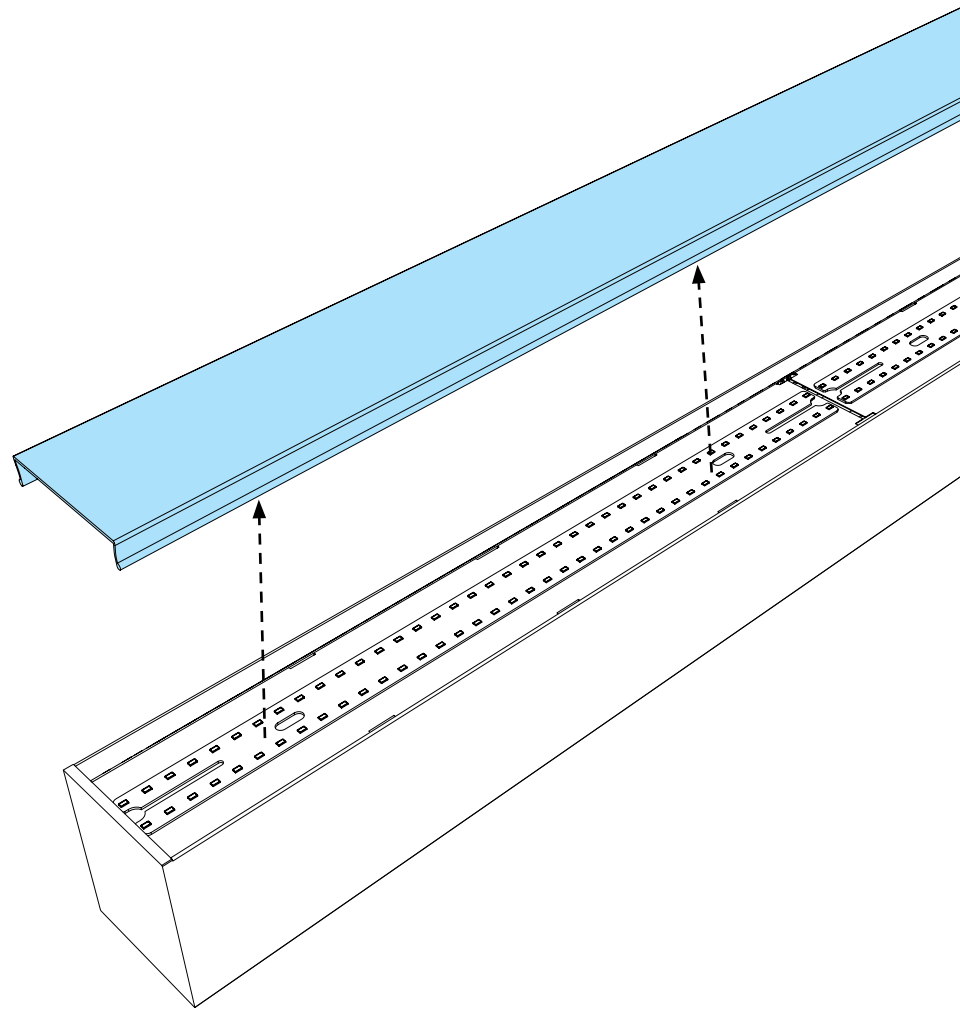


LED Engine  
Replacement

# HP-2 / HP-4 Uplight LED Engine Replacement Instructions

## Step 1 - Opening Luminaire

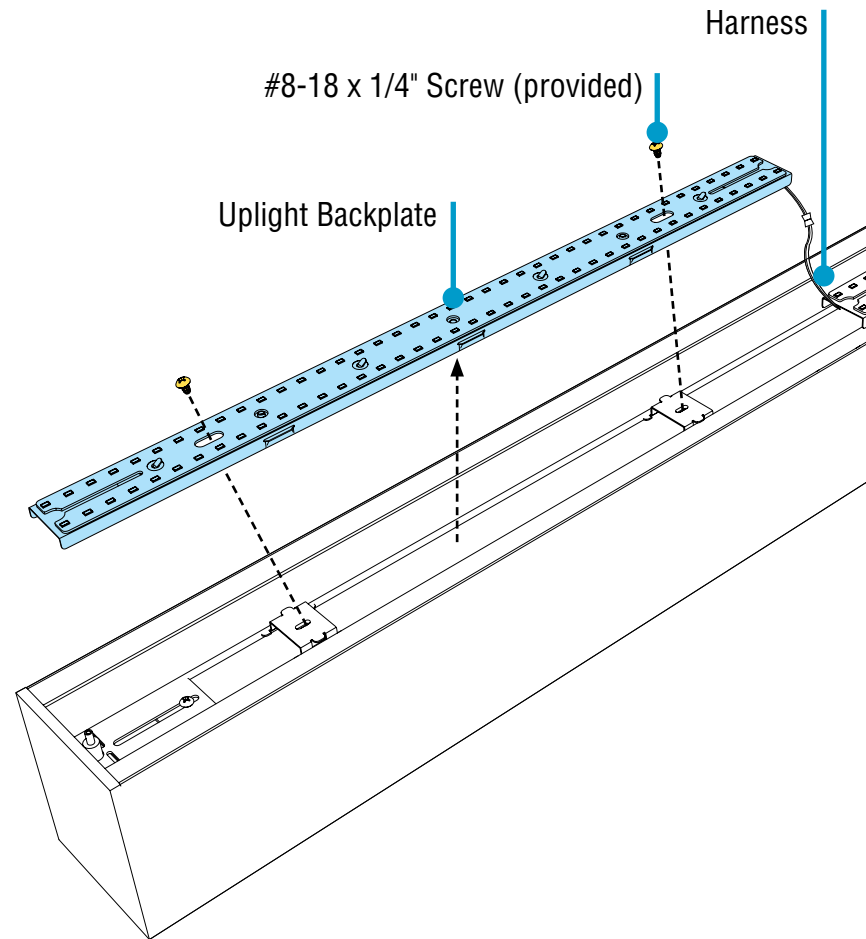
### A. Remove Diffusers



- Remove diffuser and set aside to prevent from getting dirty or damaged.

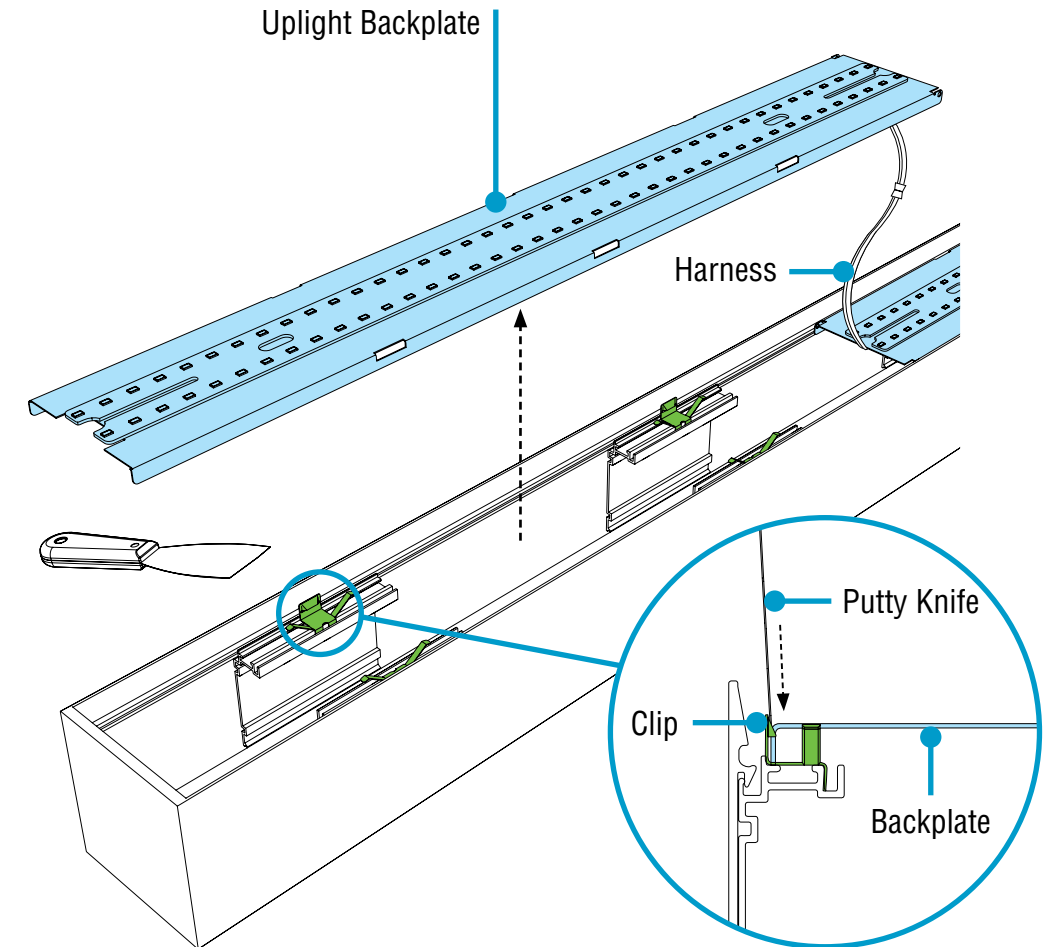
### B. Remove Uplight Backplate

For Indirect / Direct



- Remove #8-18 x 1/4" screws to release upright backplate.
- Lift backplate out of housing channel, pulling wiring harnesses through the housing.

For Indirect



- To release upright backplate, use a putty knife to slip behind backplate edges and release them from clips.
- Lift backplate out of housing channel, pulling wiring harnesses through the housing.



#8-18 x 1/4" Screws  
(provided)



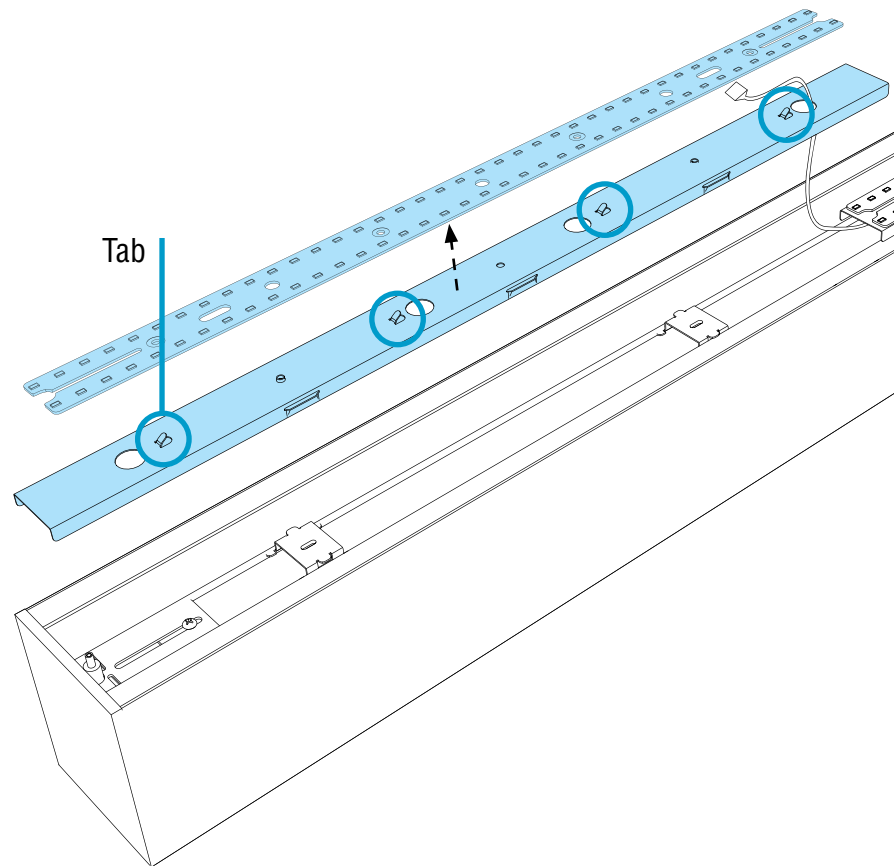
Effortless  
Access

# HP-2 / HP-4 Uplight LED Engine Replacement Instructions

## Step 2 - Replace Engine

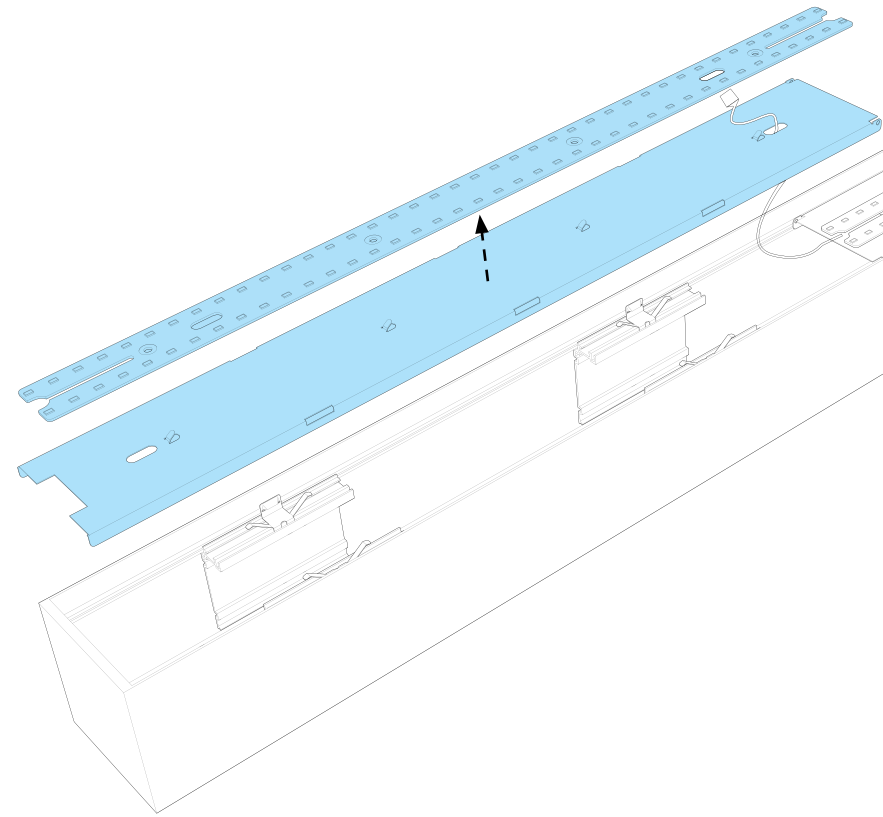
### A. Remove LED Engine

For Indirect / Direct

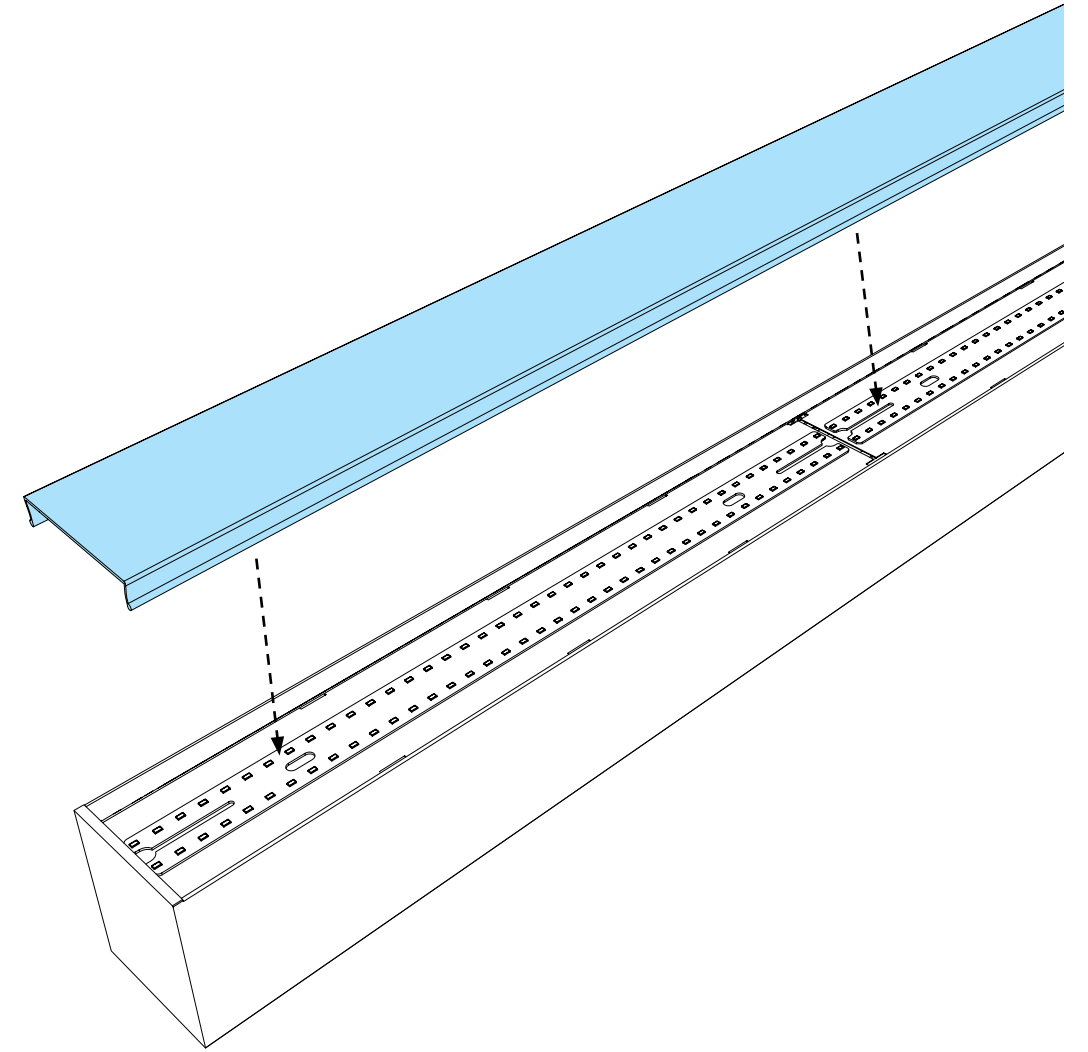


- Disconnect harness from LED engine.
- Bend tabs to release LED engine from backplate.
- Replace with new LED engine and secure onto the backplate with tabs.

For Indirect



### B. Replace Uplight LED Engine



- Reconnect harness to LED engine.
- Replace backplate by snapping back into clips.
- Replace diffuser and turn power on.



LED Engine  
Replacement