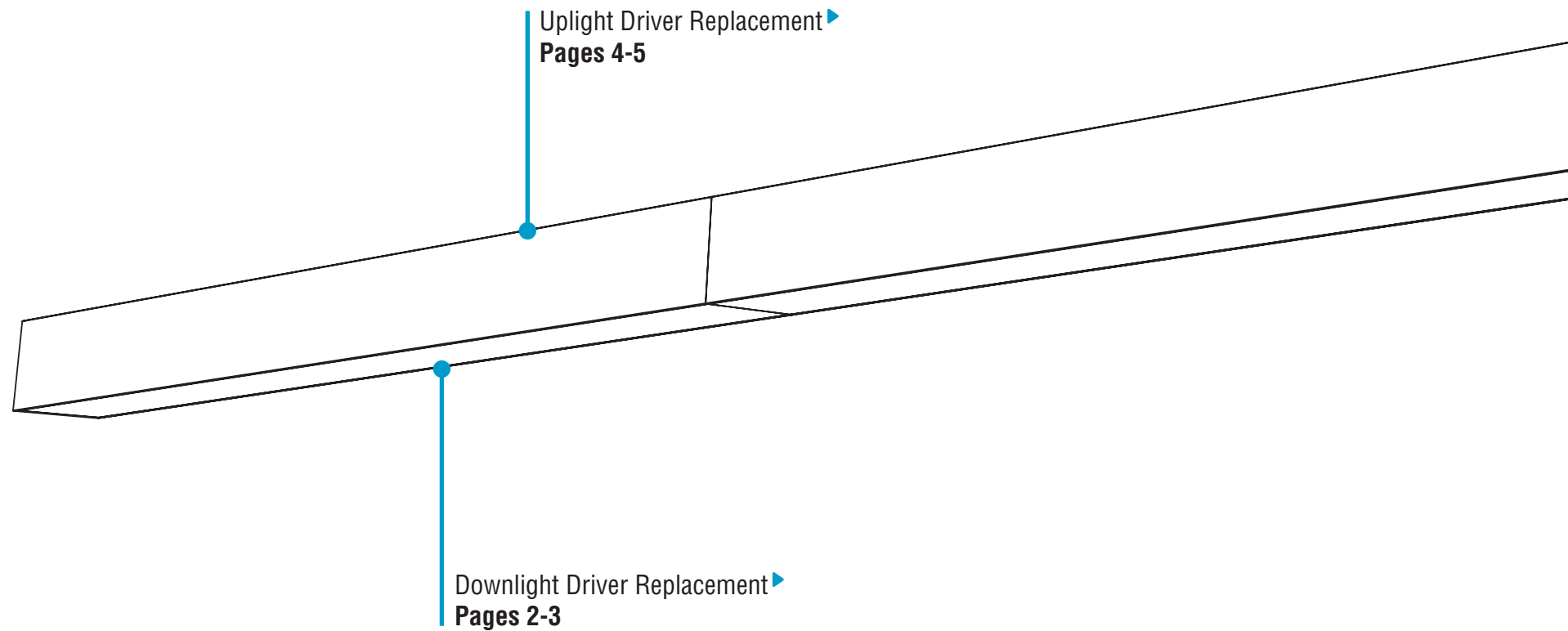
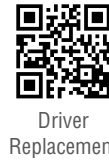
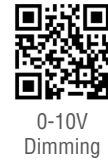
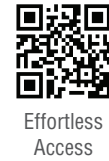
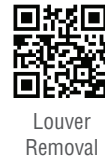


# HP-2 / HP-4 / HP-6 Driver Replacement Instructions

## Overview

### NOTES

- All power connections should be installed according to local/national codes by a Certified Electrician.
- This installation requires **proper support** as each luminaire is being installed.
- **DO NOT attempt to join luminaires together on the floor.** Damage may result when lifted.

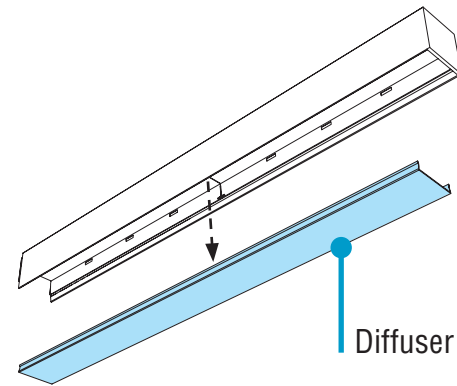


# HP-2 / HP-4 / HP-6 Downlight Driver Replacement Instructions

## Step 1 - Opening Luminaire

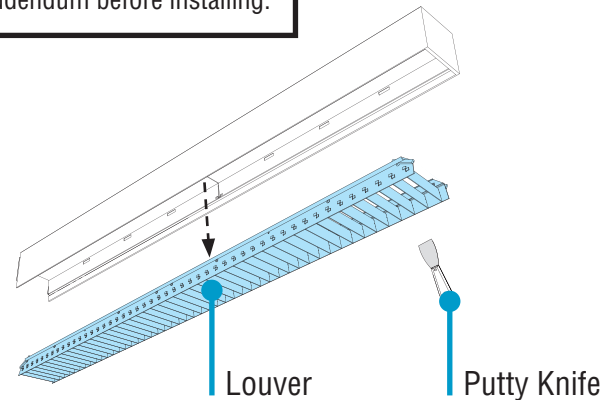
### A. Remove Diffuser or Louver

Remove Diffuser



Remove Louver (HP-2 & HP-4 ONLY)

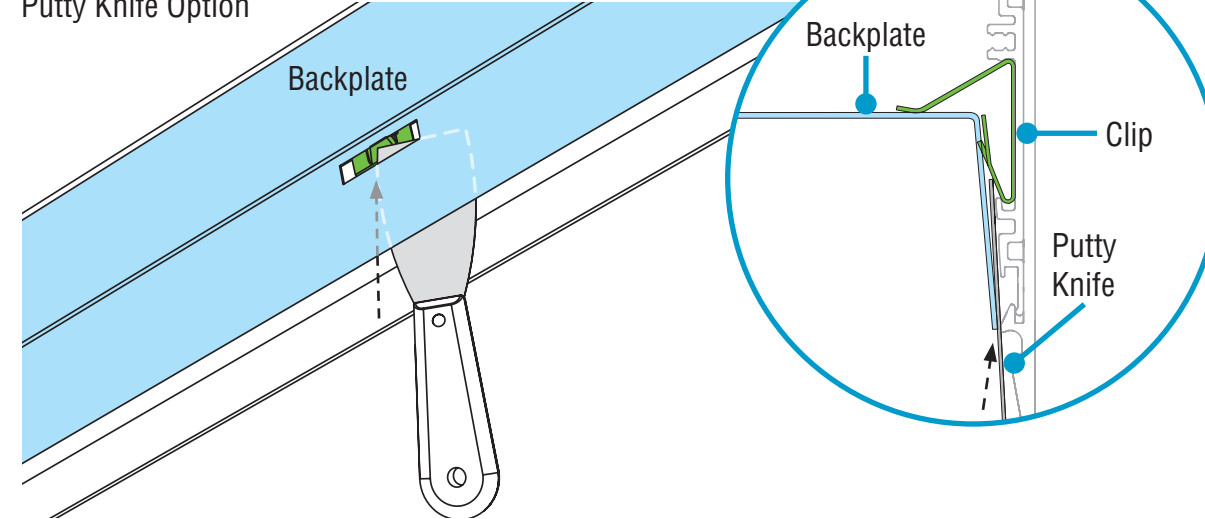
**NOTE:** For White Cross Blade Baffle, refer to Baffle Tether Addendum before installing.



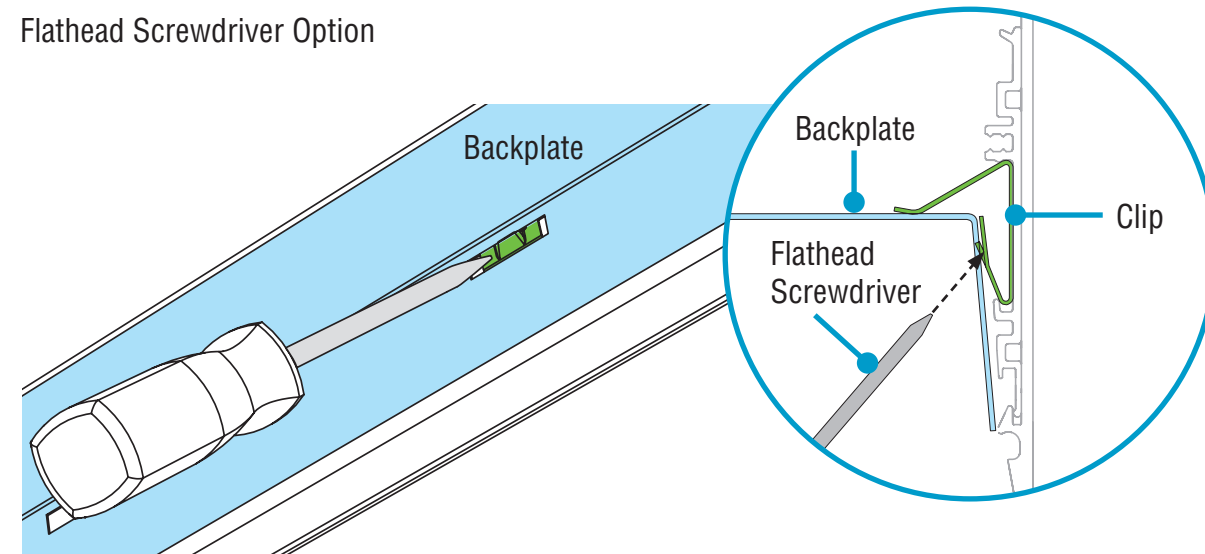
- **CAUTION:** Wear gloves to keep diffuser or louver surface clean.
- Carefully remove diffuser or louver and set aside to prevent from getting dirty or damaged.
- **FOR LOUVER:** Release louver by inserting the blade of a putty knife approximately 1" behind louver edges and pry down.
- Ensure diffuser or louver can be clearly identified back to its corresponding luminaire.

### B. Release Backplate

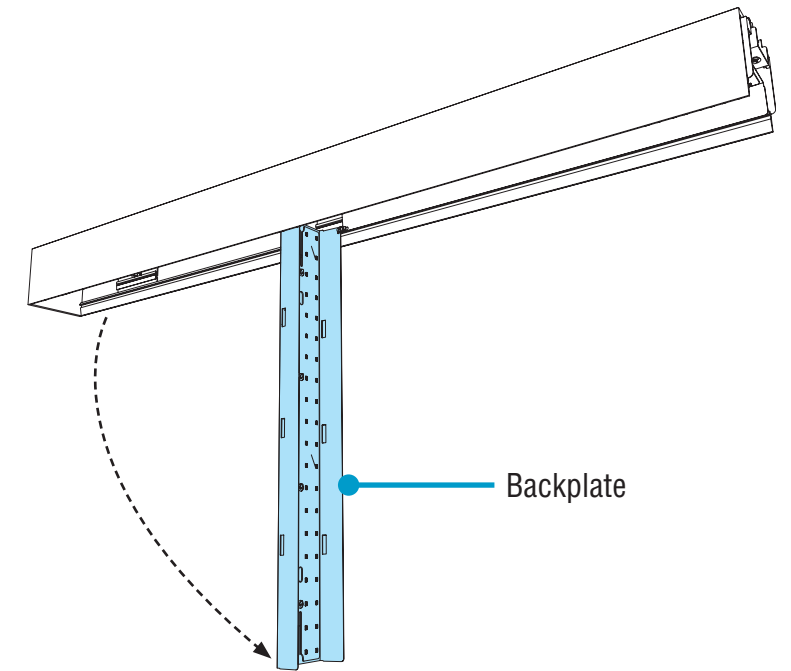
Putty Knife Option



Flathead Screwdriver Option



- Release backplate from clips by sliding the blade of a putty knife behind backplate edges.
- To use a flathead screwdriver, press end of screwdriver (from inside the luminaire) against the clip, until the backplate is released.



- Carefully rotate backplate out and let it hang from luminaire body.



Louver  
Removal

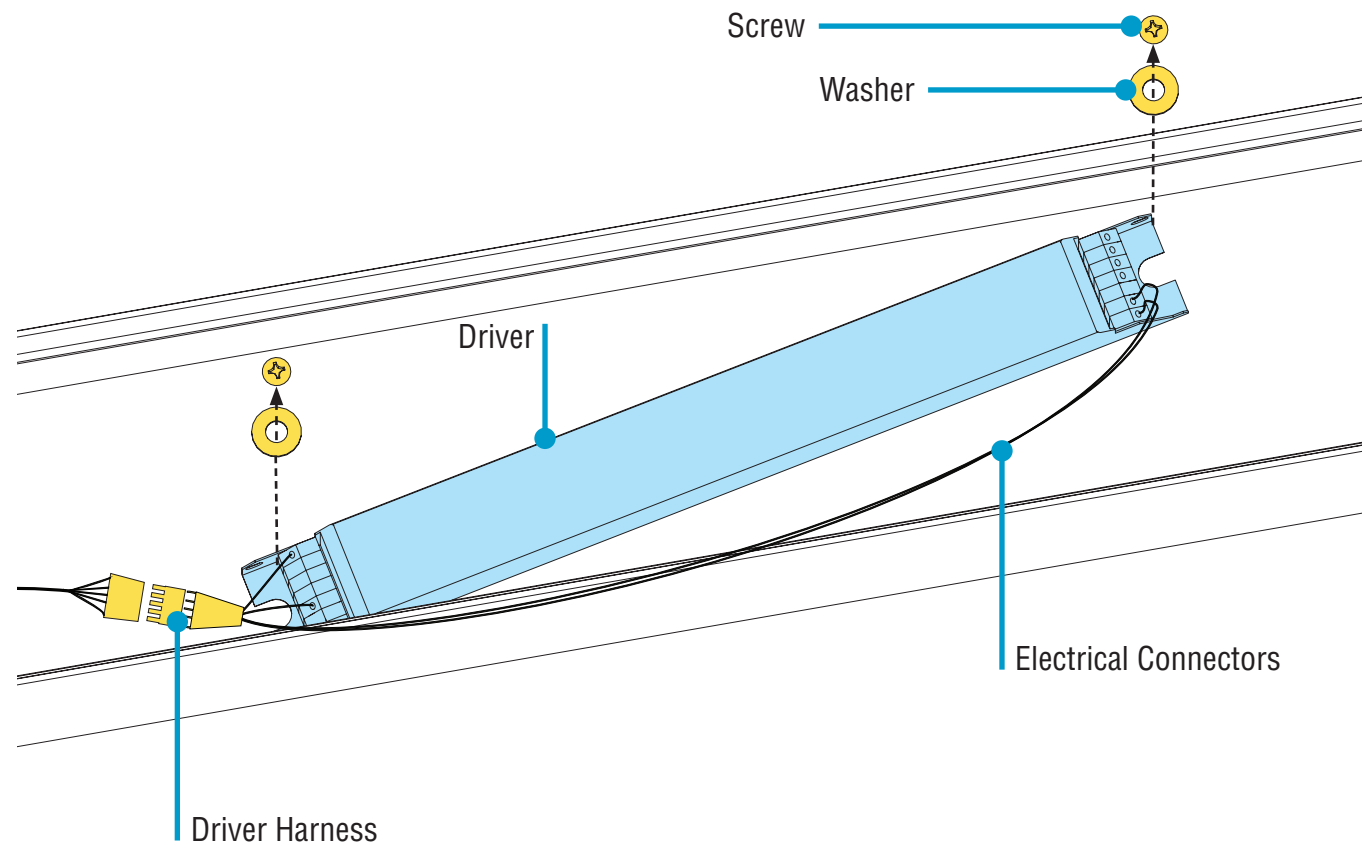


Effortless  
Access

# HP-2 / HP-4 / HP-6 Downlight Driver Replacement Instructions

## Step 2 - Replace Driver

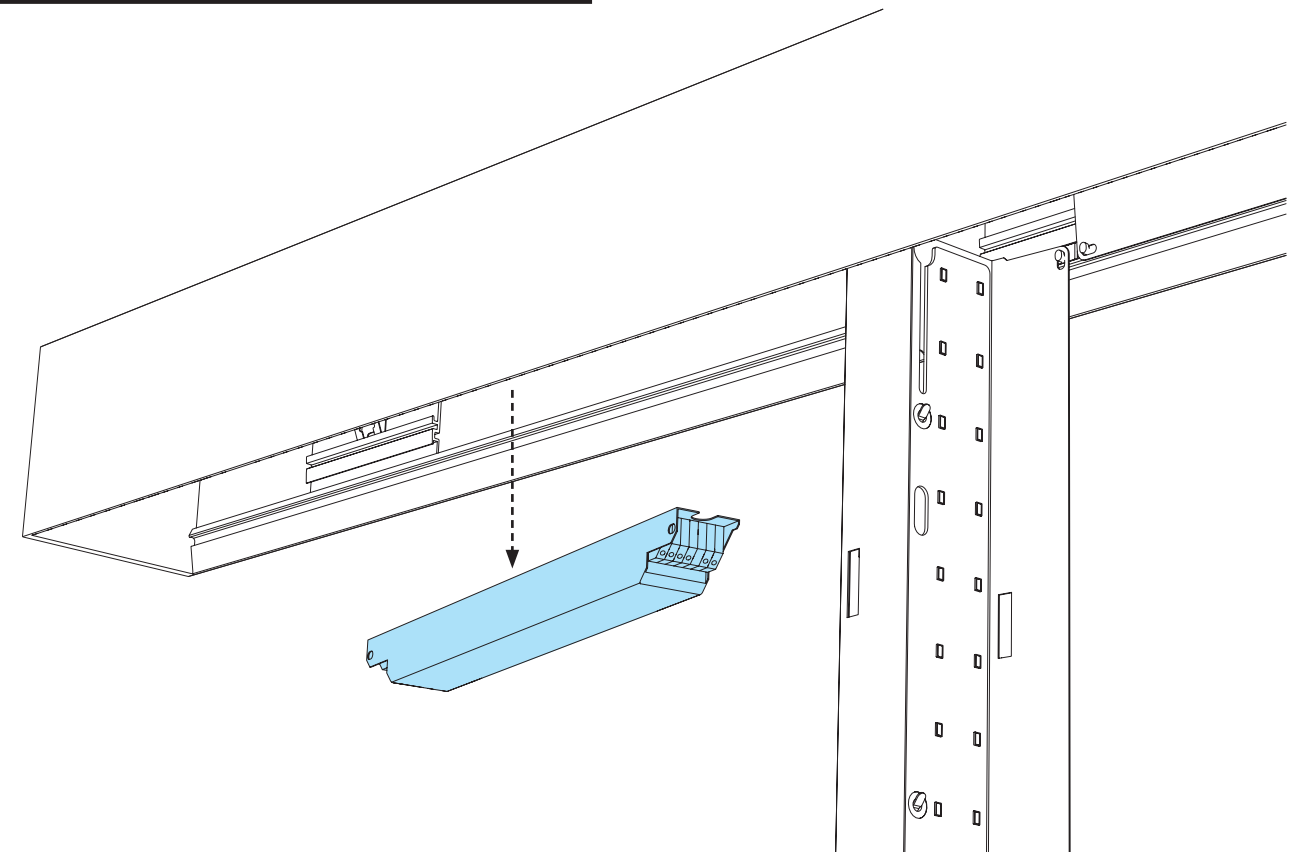
### A. Release Driver



- Release driver from luminaire by removing mounting screws.
- Disconnect driver from driver harness.
- Once driver is free, disconnect electrical connections from the driver.

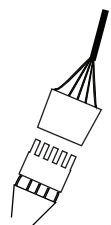
### B. Replace Driver

**NOTE:** For White Cross Blade Baffle, refer to Baffle Tether Addendum before installing.



- Replace with new driver and reconnect all electrical connections.
- Replace backplate by snapping back into clips.
- **CAUTION:** Wear gloves to keep diffuser or louver surface clean.
- **NOTE:** For White Cross Blade Baffle, refer to Baffle Tether Addendum before installing.
- Replace diffuser or louver and turn power on.

WIRING LEGEND		
Black	Hot	Line Voltage
White	Neutral	Line Voltage
Green	Ground	
Grey	Dimming	0-10V DC
Purple	Dimming	0-10V DC



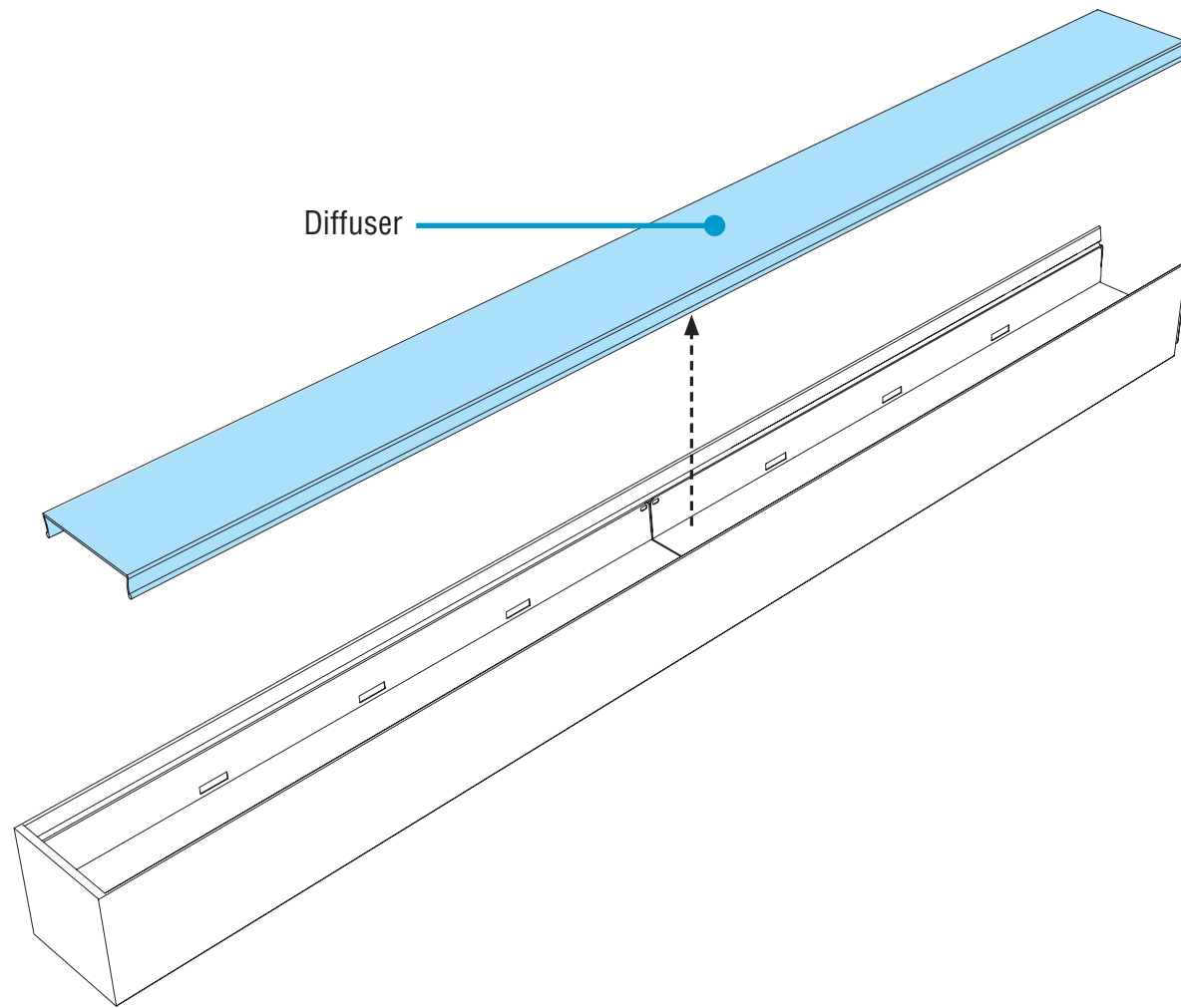
Driver Harness  
Part # 15501



# HP-2 / HP-4 Uplight Driver Replacement Instructions

## Step 1 - Opening Luminaire

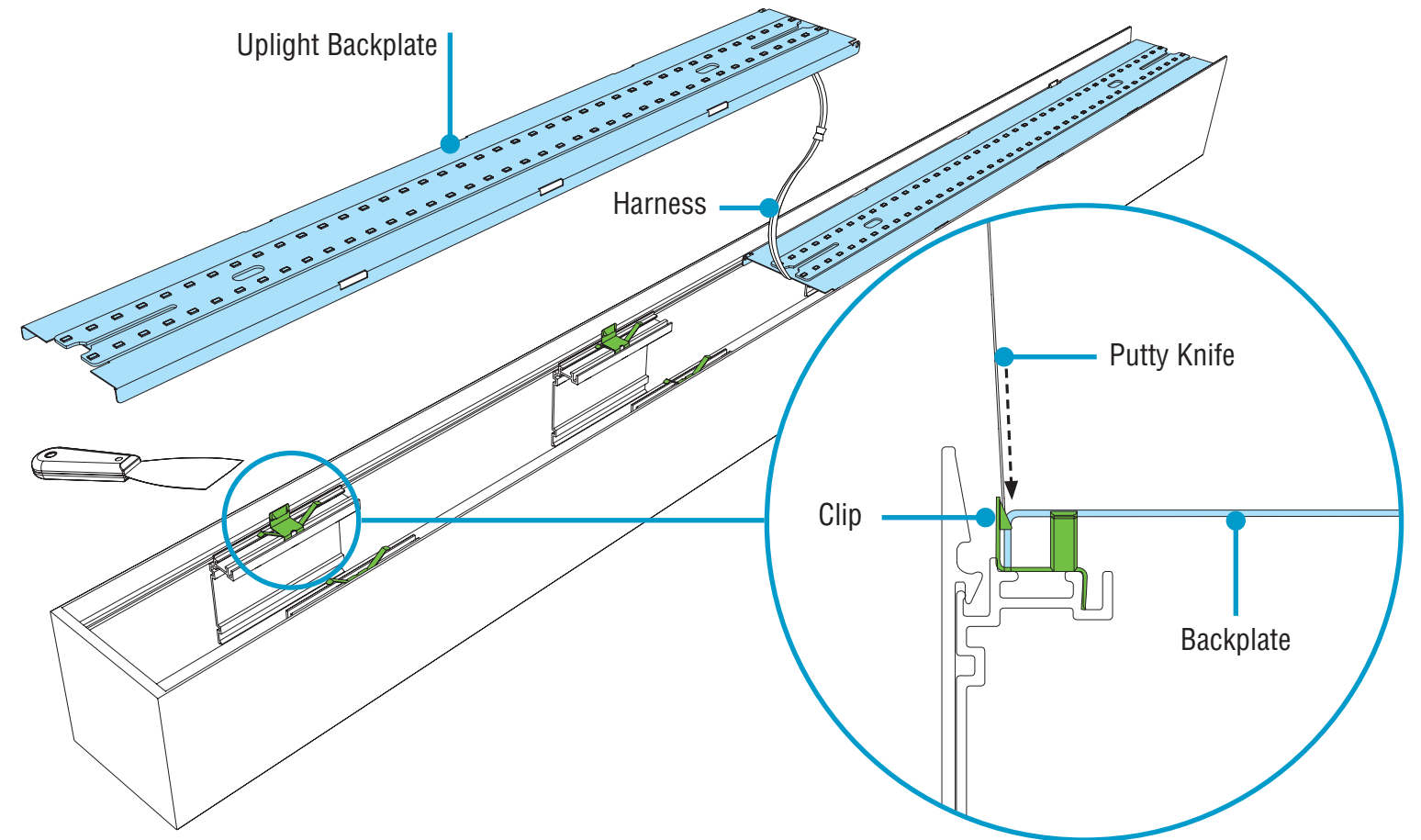
### A. Remove Diffuser



- Remove diffuser and set aside to prevent from getting dirty or damaged.

### B. Release Backplate

For Indirect Only



- To release backplate, use a putty knife to slip behind backplate edges and release them from clips.
- Lift backplate out of housing channel, pulling wiring harnesses through the housing.
- Let backplate rest atop of luminaire. **DO NOT** disconnect LED board harnesses.

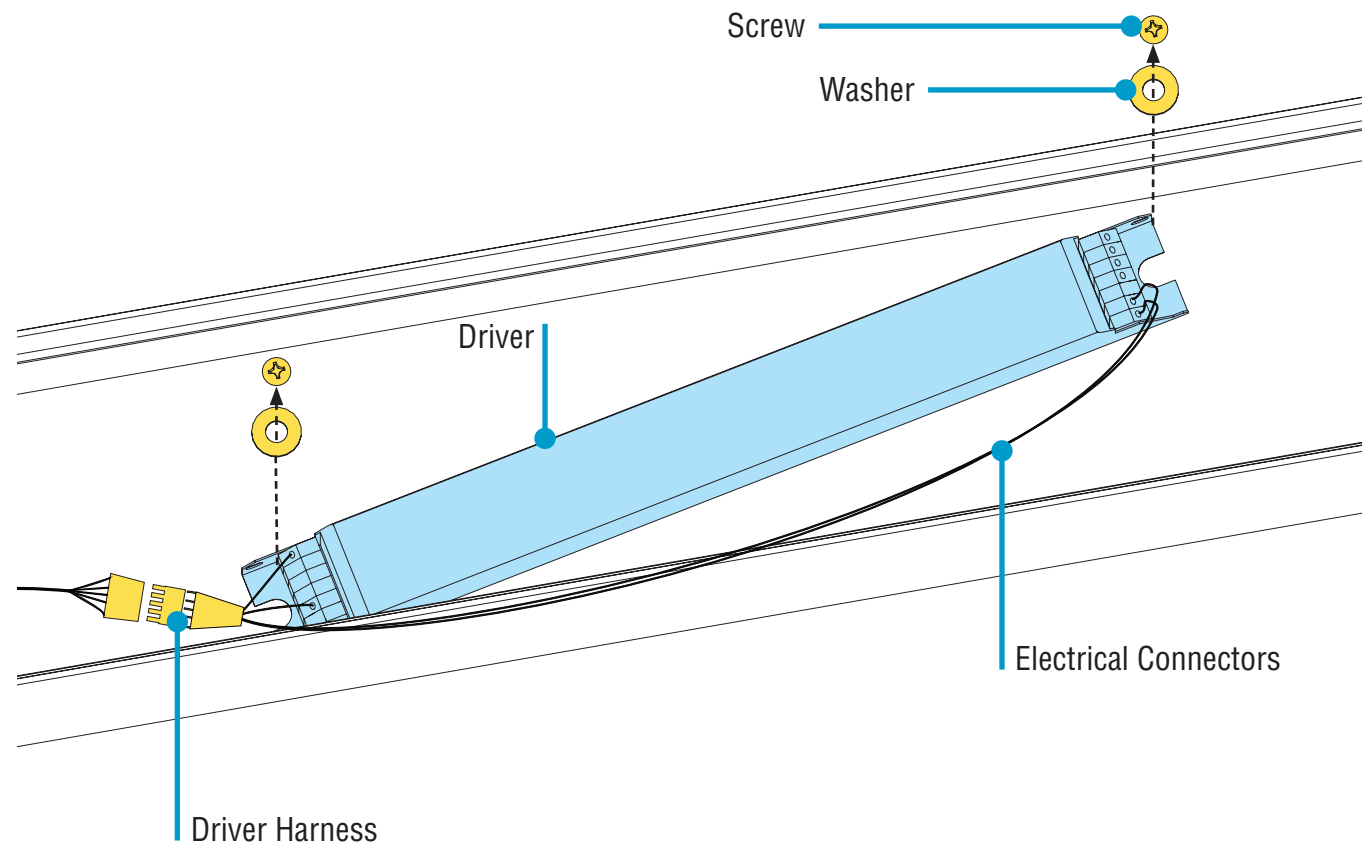


Effortless  
Access

# HP-2 / HP-4 Uplight Driver Replacement Instructions

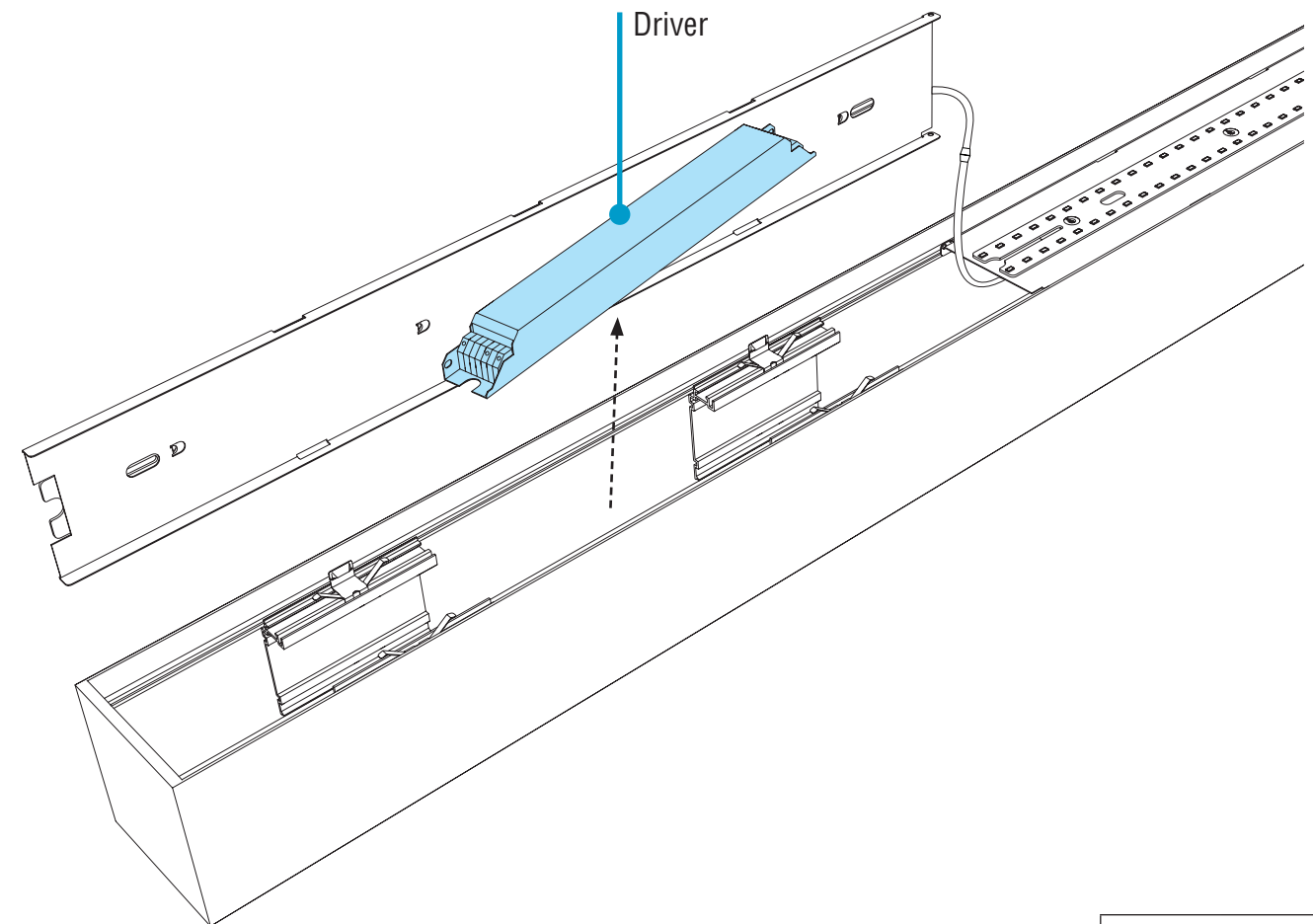
## Step 2 - Replace Driver

### A. Release Uplight Driver



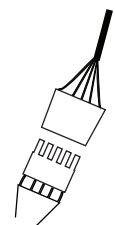
- Release driver from luminaire by removing mounting screws.
- Disconnect driver from driver harness.
- Once driver is free, disconnect electrical connections from the driver.

### B. Replace Uplight Driver



- Replace with new driver and reconnect all electrical connections.
- Replace backplate by snapping back into clips.
- Replace diffuser and turn power on.

WIRING LEGEND		
Black	Hot	Line Voltage
White	Neutral	Line Voltage
Green	Ground	
Grey	Dimming	0-10V DC
Purple	Dimming	0-10V DC



Driver Harness  
Part # 15501

