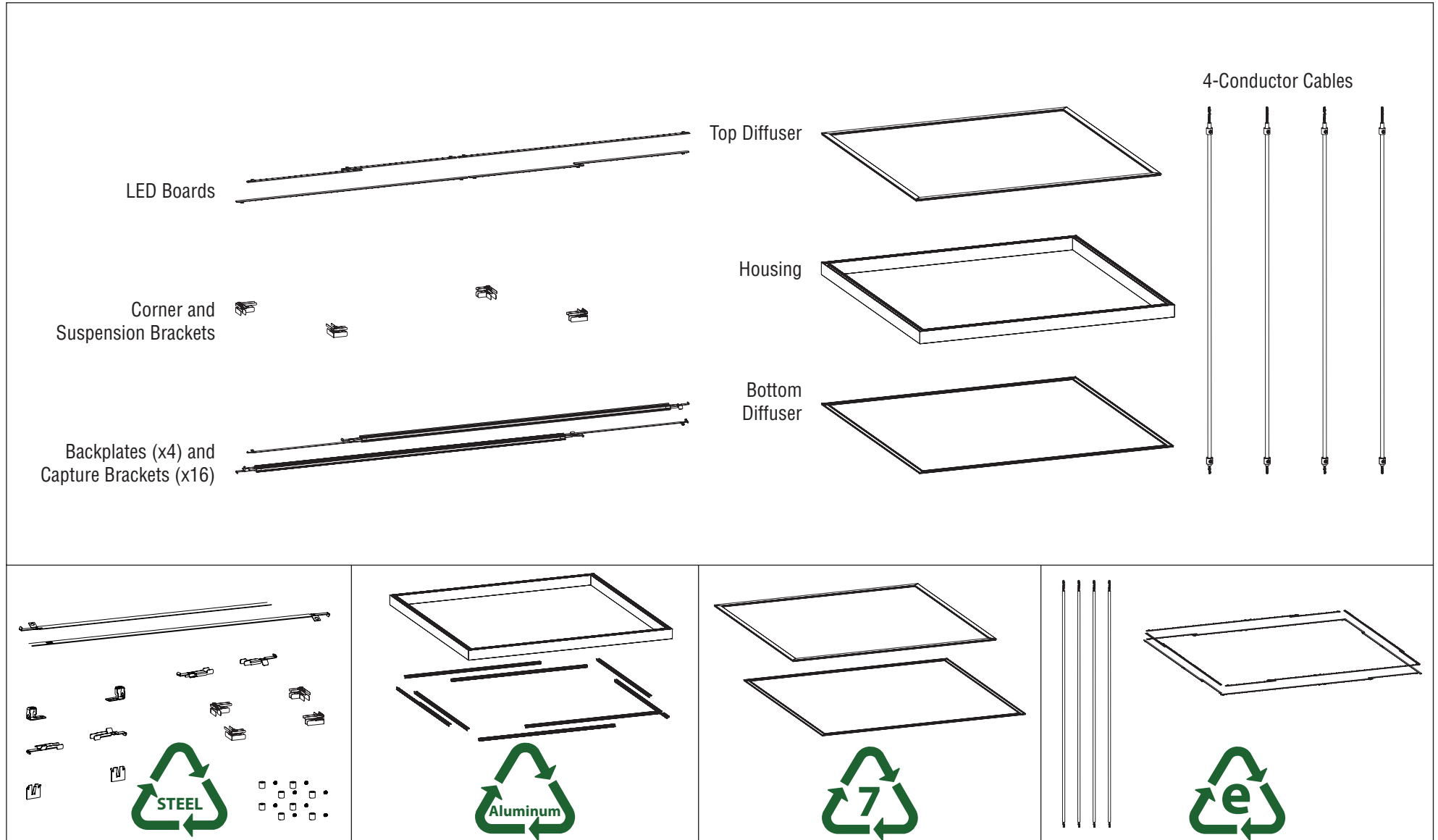


# E2 Indirect/Direct Configuration

## E2-ID-C Recycling Luminaire Breakdown

Luminaire breaks down easily for recycling at the end of usable life\*.

**NOTE:** 2' x 2' drawings are shown. This document also applies to 1' x 8'.



© 2020 FINELITE, INC. ALL RIGHTS RESERVED. Form 0PG0090\_V2, EFFECTIVE DATE: 07/20

\*Recycling information typical for all luminaire sizes. Contact factory for more information.

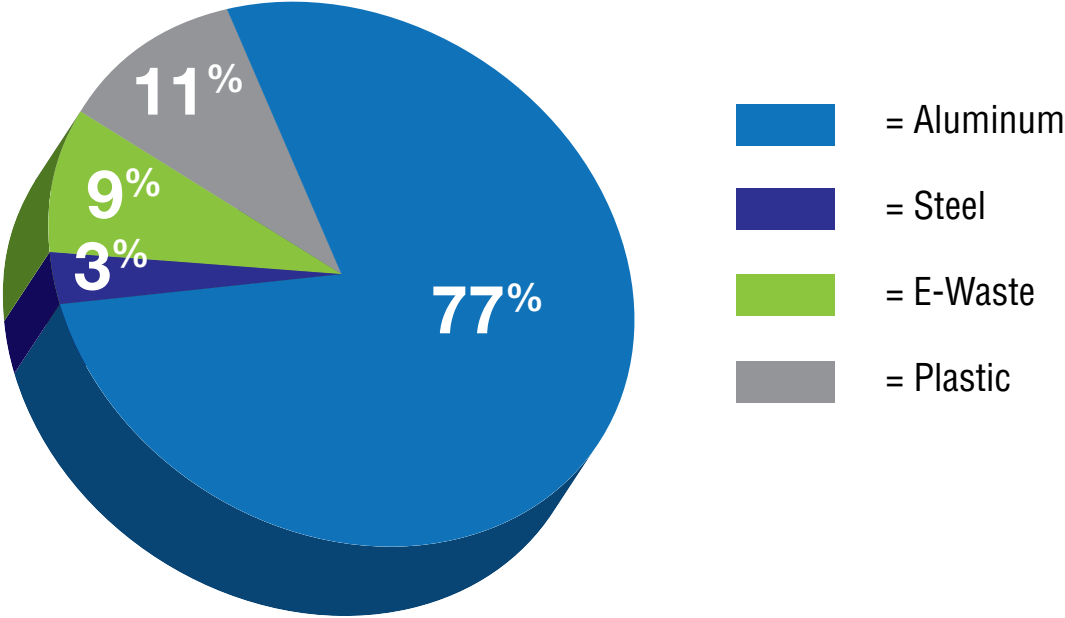
Due to continuing improvements, Finelite reserves the right to change specifications without notice. Please visit [www.finelite.com](http://www.finelite.com) for most current data.

# E2 Indirect/Direct Configuration

## E2-ID-C Recycling Luminaire Breakdown

### 100% Recyclable

E2-ID-C components are constructed from aluminum, steel, e-waste, and plastic. E2-ID-C is 100% recyclable at the end of useful life.

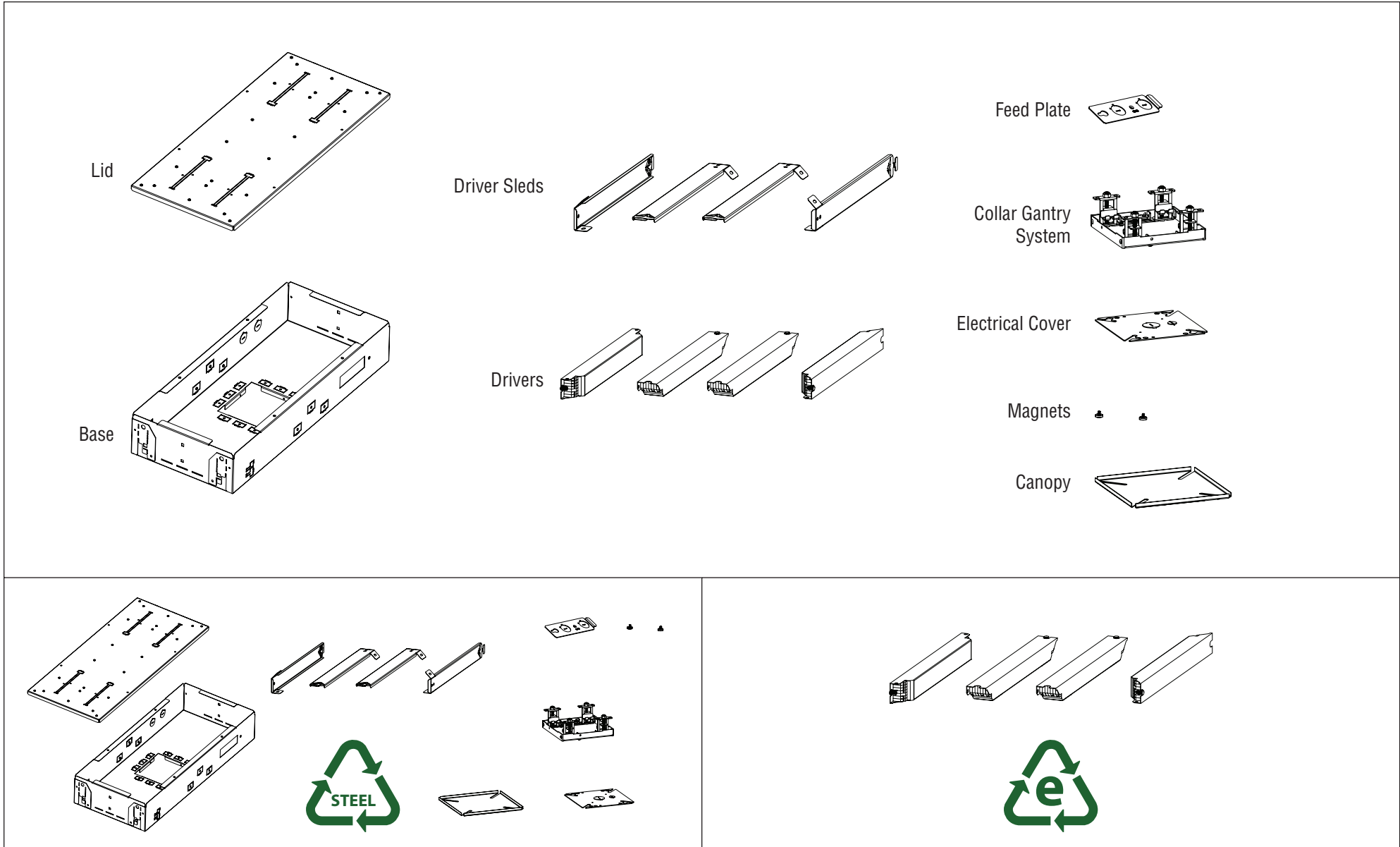


# E2 Indirect/Direct Configuration

## E2-ID Recycling Large Capacity Power Supply Box Disassembly Instructions



The E2-ID Large Capacity Power Supply Box breaks down easily for recycling at the end of usable life\*.



\*Recycling information typical for power supply box. Contact factory for more information.

Due to continuing improvements, Finelite reserves the right to change specifications without notice. Please visit [www.finelite.com](http://www.finelite.com) for most current data.

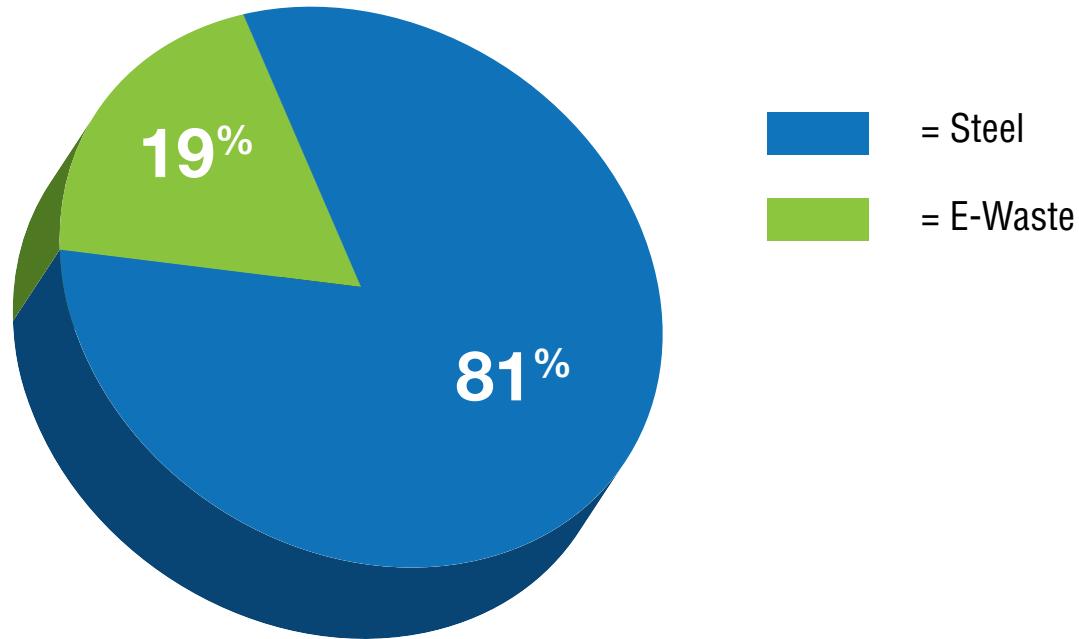
# E2 Indirect/Direct Configuration

## E2-ID Recycling Large Capacity Power Supply Box Disassembly Instructions

### 100% Recyclable

E2-ID Large Capacity PS Box components are constructed from aluminum, steel, e-waste, and plastic.

E2-ID Large Capacity PS Box is 100% recyclable at the end of useful life.



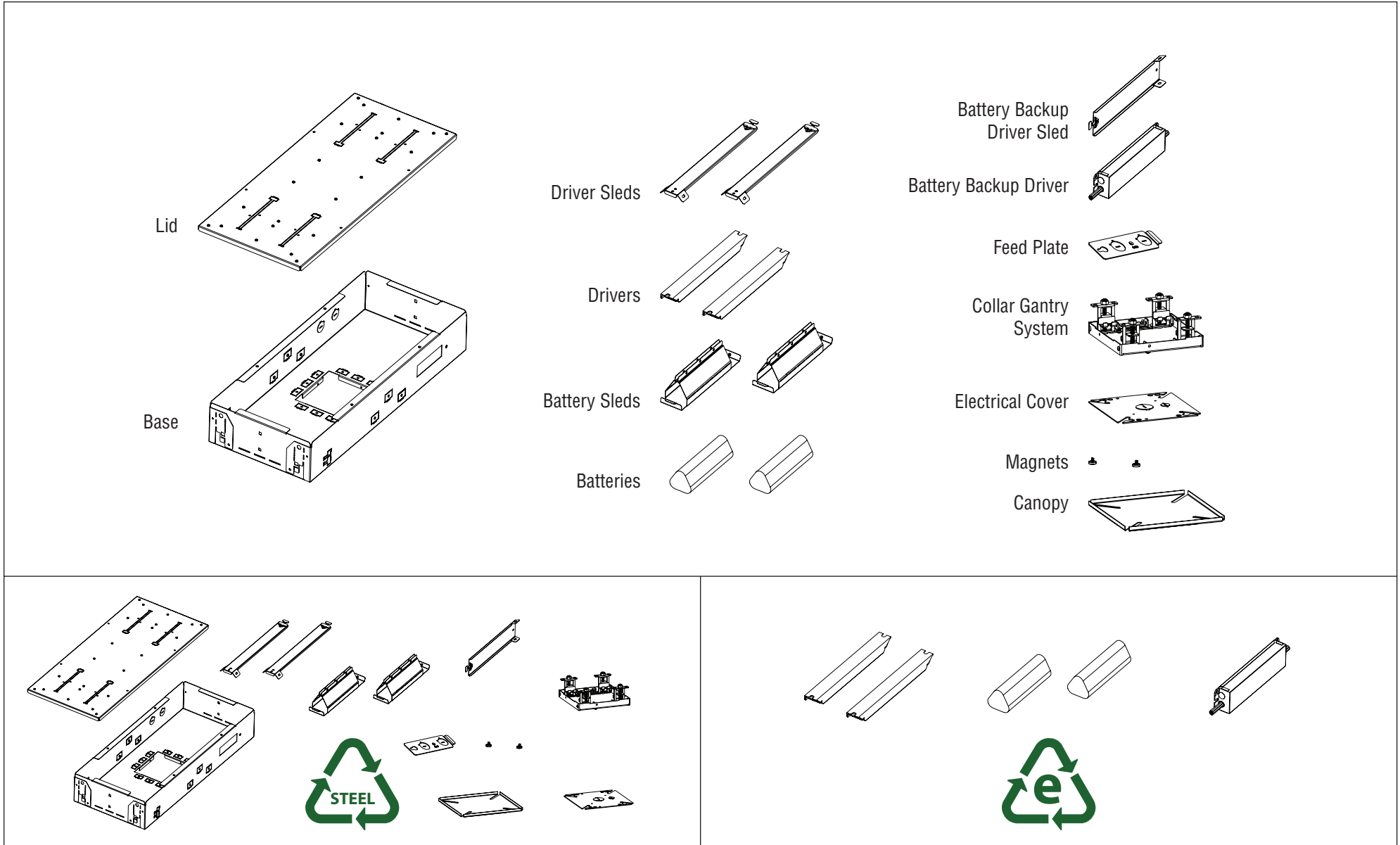
Due to continuing improvements, Finelite reserves the right to change specifications without notice. Please visit [www.finelite.com](http://www.finelite.com) for most current data.

# E2 Indirect/Direct Configuration

E2-ID  Recycling Large Capacity PS Box (2x2 w/Emergency Battery Backup Only) Disassembly Instructions

**FINELITE®**  
Better Lighting

The E2-ID Large Capacity Power Supply Box breaks down easily for recycling at the end of usable life\*.



\*Recycling information typical for power supply box. Contact factory for more information.

Due to continuing improvements, Finelite reserves the right to change specifications without notice. Please visit [www.finelite.com](http://www.finelite.com) for most current data.

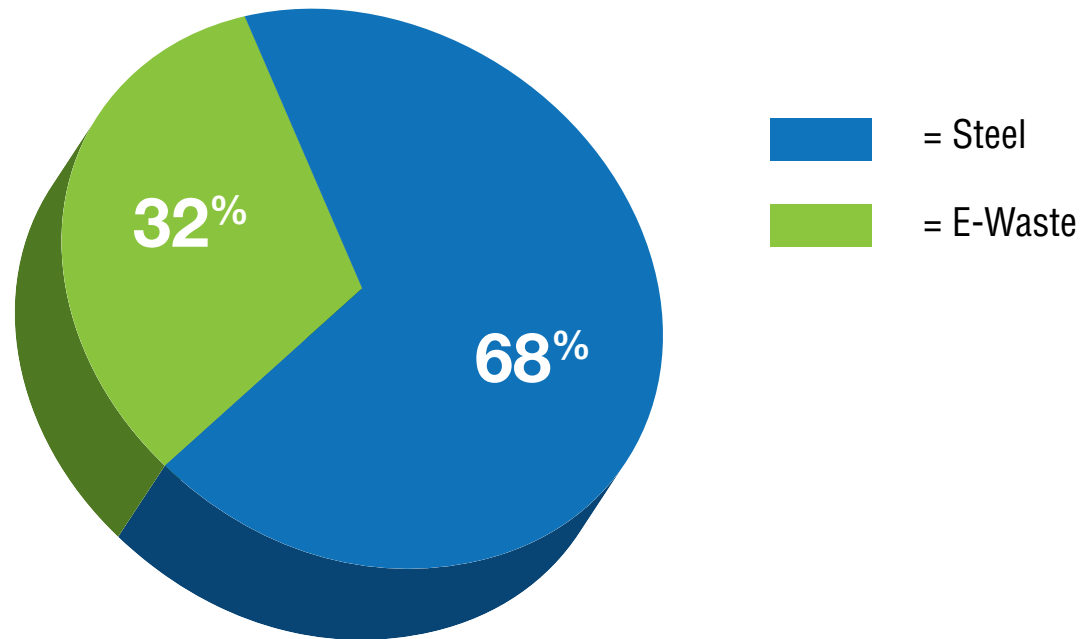
# E2 Indirect/Direct Configuration

E2-ID  Recycling Large Capacity PS Box (2x2 w/Emergency Battery Backup Only) Disassembly Instructions

## 100% Recyclable

E2-ID Large Capacity PS Box components are constructed from aluminum, steel, e-waste, and plastic.

E2-ID Large Capacity PS Box is 100% recyclable at the end of useful life.

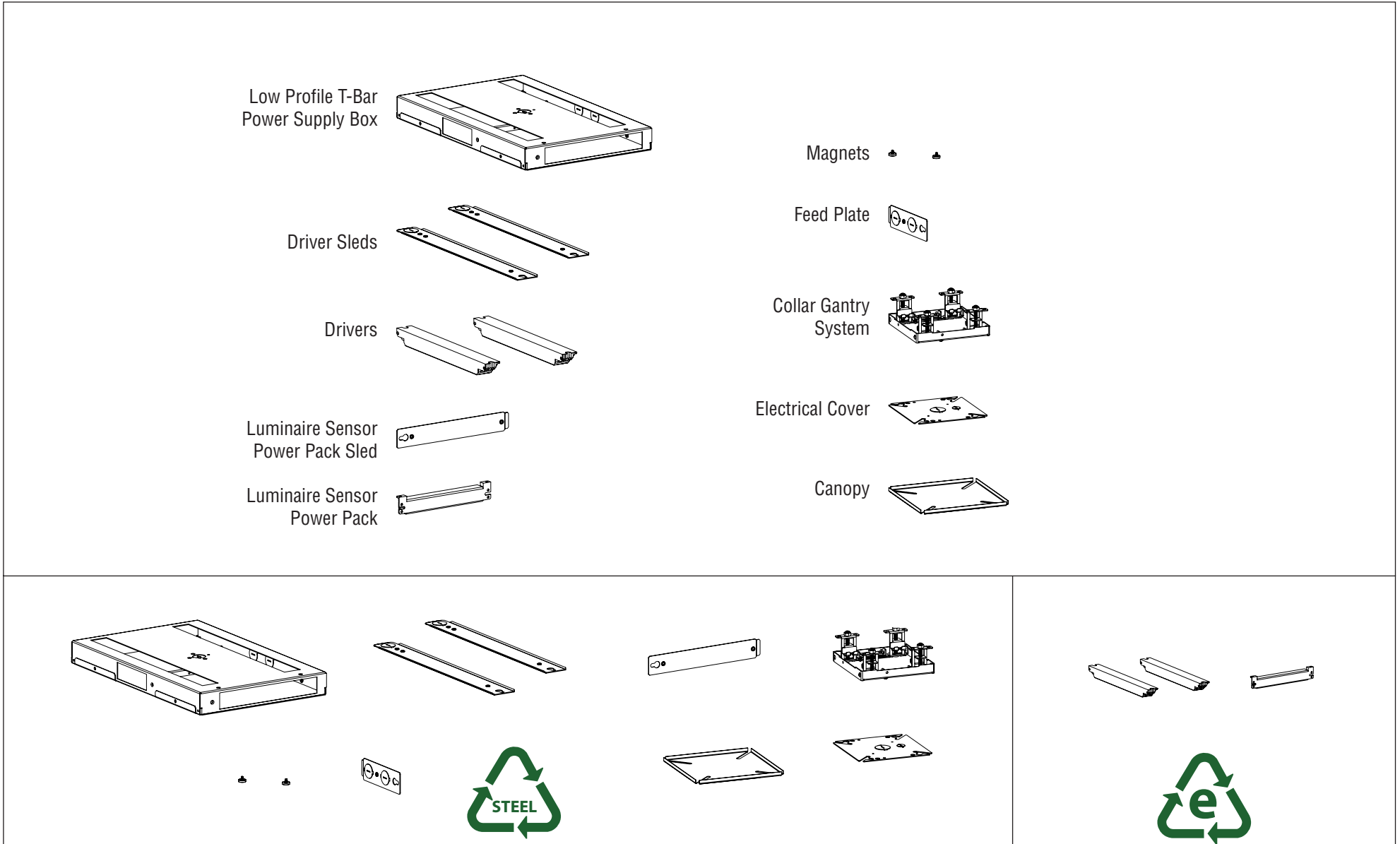


Due to continuing improvements, Finelite reserves the right to change specifications without notice. Please visit [www.finelite.com](http://www.finelite.com) for most current data.

# E2 Indirect/Direct Configuration

## E2-ID Recycling Low Profile T-Bar Power Supply Box Disassembly Instructions

The E2-ID Low Profile T-Bar Power Supply box breaks down easily for recycling at the end of usable life\*.



\*Recycling information typical for power supply box. Contact factory for more information.

Due to continuing improvements, Finelite reserves the right to change specifications without notice. Please visit [www.finelite.com](http://www.finelite.com) for most current data.

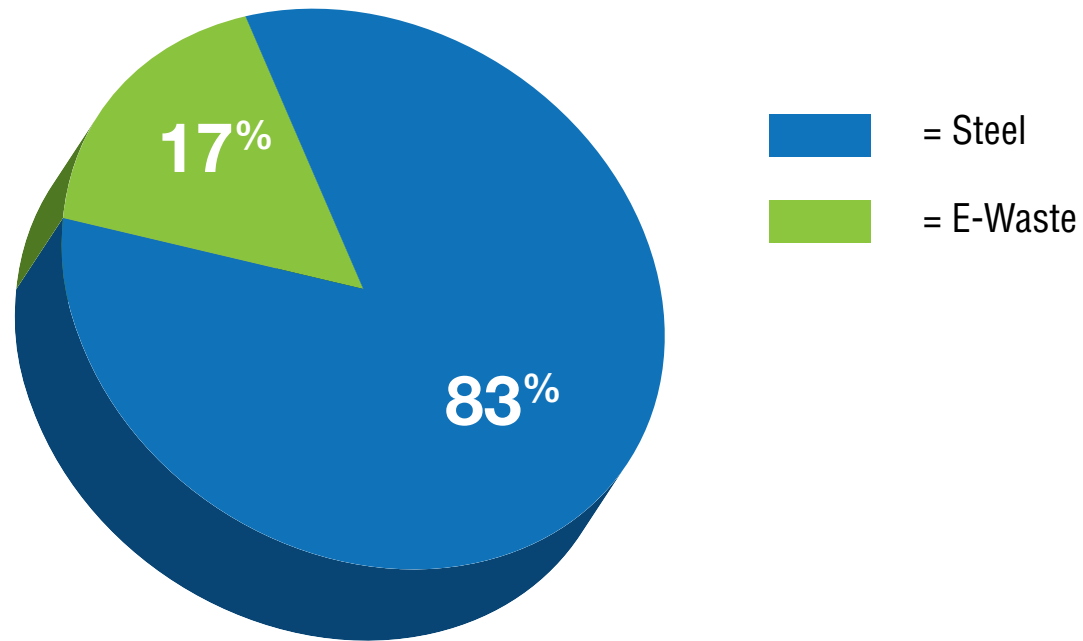
# E2 Indirect/Direct Configuration

## E2-ID Recycling Low Profile T-Bar Power Supply Box Disassembly Instructions

### 100% Recyclable

E2-ID Low Profile PS Box components are constructed from steel and e-waste.

E2-ID Low Profile PS Box is 100% recyclable at the end of useful life.



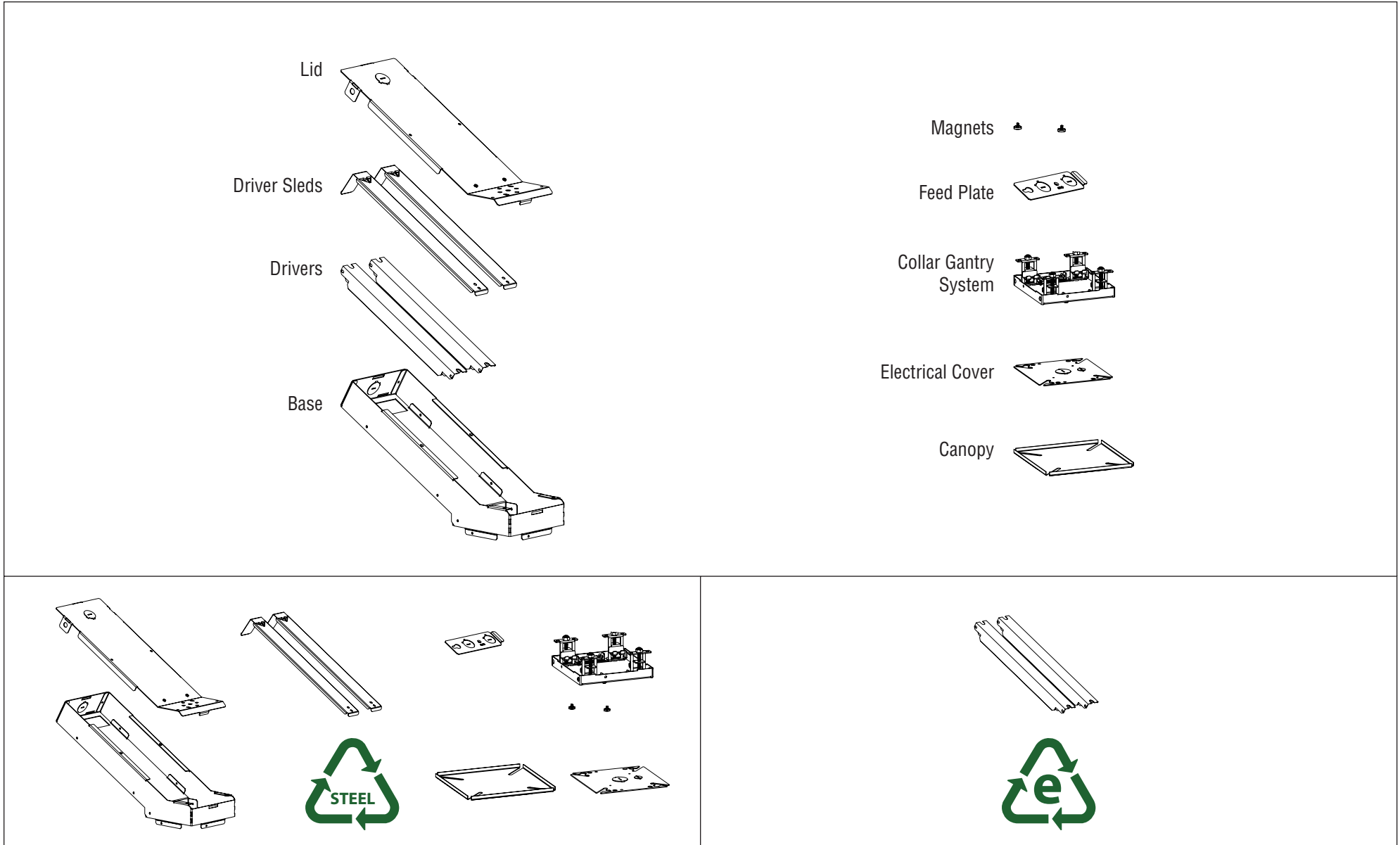
Due to continuing improvements, Finelite reserves the right to change specifications without notice. Please visit [www.finelite.com](http://www.finelite.com) for most current data.



# E2 Indirect/Direct Configuration

## E2-ID Recycling Retrofit Power Supply Box Disassembly Instructions

The E2-ID Retrofit Power Supply Box breaks down easily for recycling at the end of usable life\*.



\*Recycling information typical for power supply box. Contact factory for more information.

Due to continuing improvements, Finelite reserves the right to change specifications without notice. Please visit [www.finelite.com](http://www.finelite.com) for most current data.

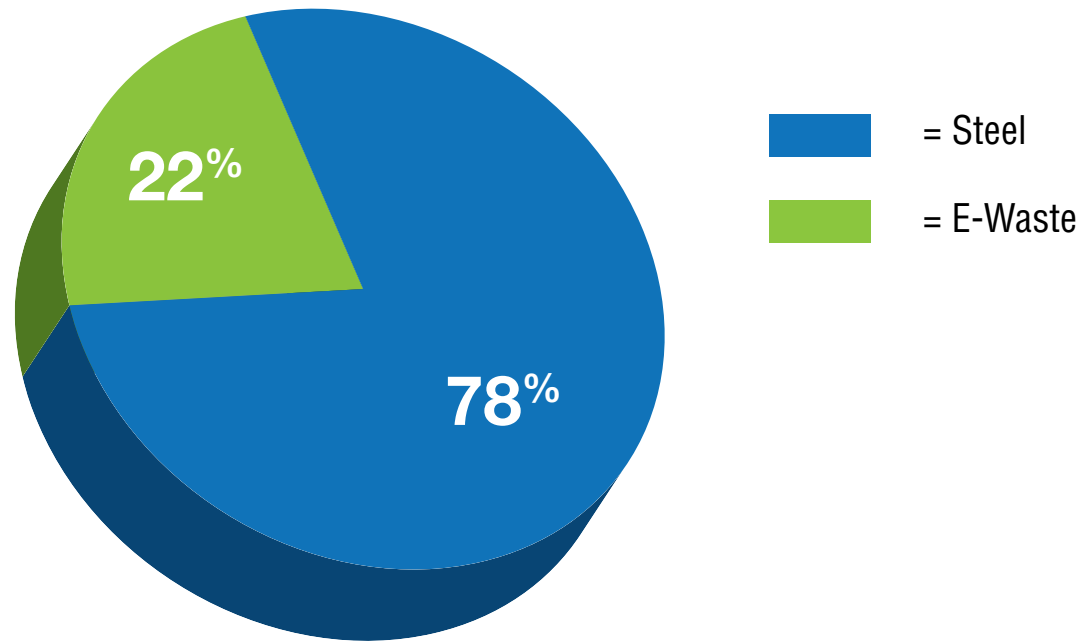
# E2 Indirect/Direct Configuration

## E2-ID Recycling Retrofit Power Supply Box Disassembly Instructions

### 100% Recyclable

E2-ID Retrofit PS Box components are constructed from steel and e-waste.

E2-ID Retrofit PS Box is 100% recyclable at the end of useful life.

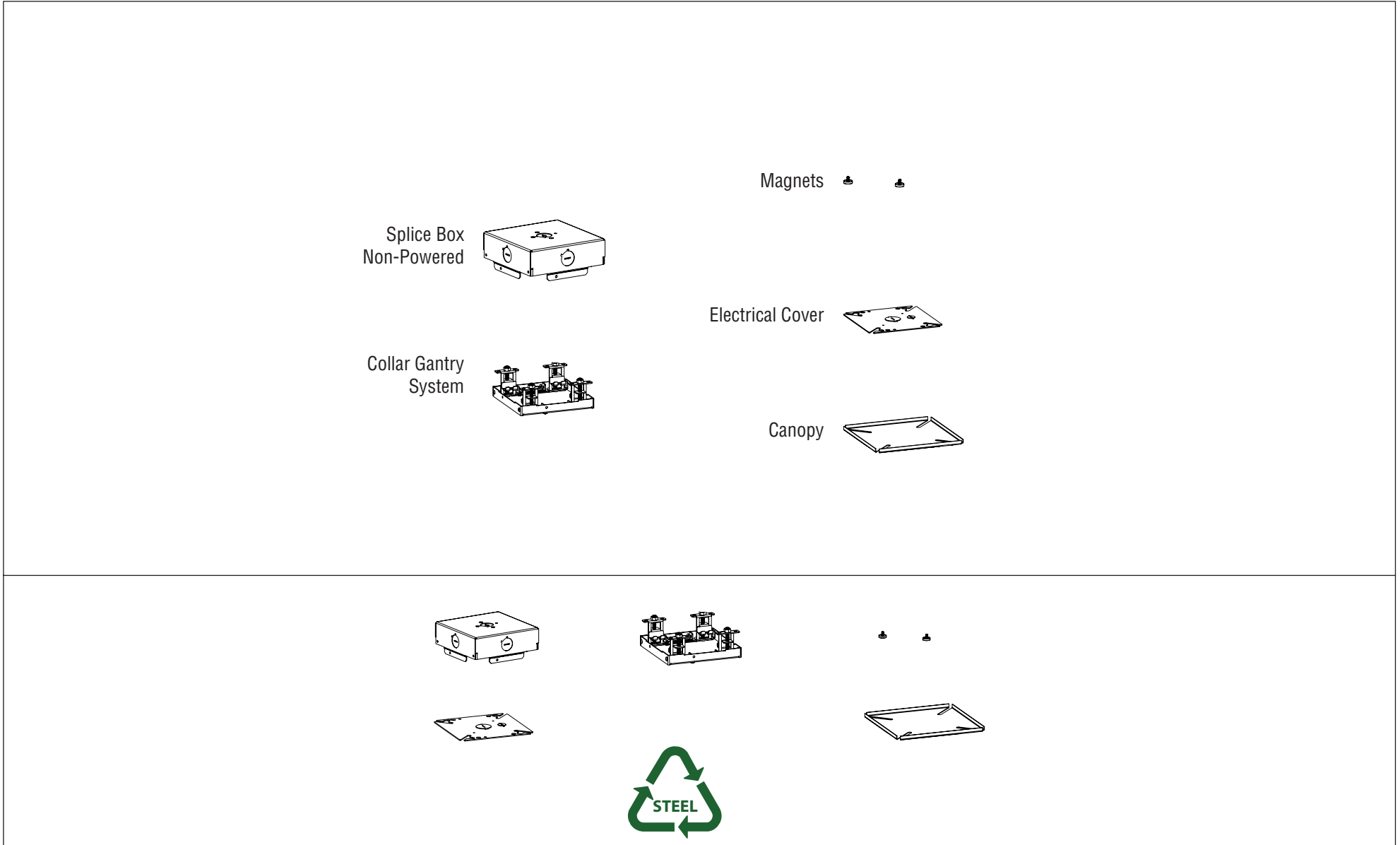


Due to continuing improvements, Finelite reserves the right to change specifications without notice. Please visit [www.finelite.com](http://www.finelite.com) for most current data.

# E2 Indirect/Direct Configuration

## E2-ID Recycling Splice Box Disassembly Instructions

The E2-ID Splice Box breaks down easily for recycling at the end of usable life\*.



\*Recycling information typical for splice box. Contact factory for more information.

Due to continuing improvements, Finelite reserves the right to change specifications without notice. Please visit [www.finelite.com](http://www.finelite.com) for most current data.

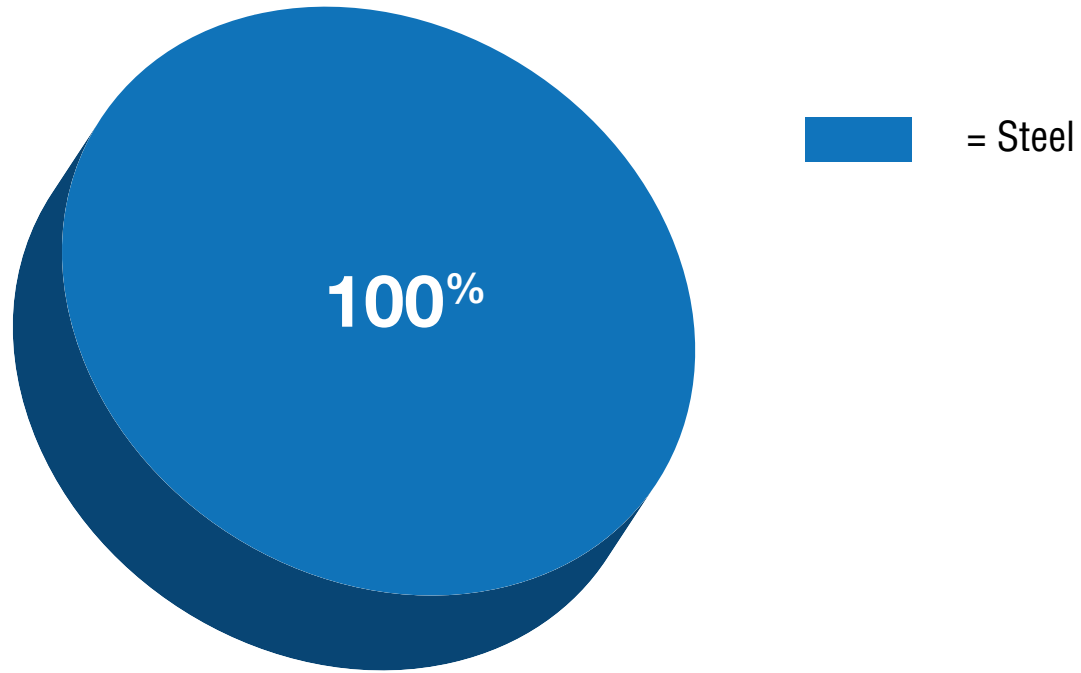
# E2 Indirect/Direct Configuration

## E2-ID Recycling Splice Box Disassembly Instructions

### 100% Recyclable

E2-ID Splice Box components are constructed from 100% steel.

E2-ID Splice Box is 100% recyclable at the end of useful life.



Due to continuing improvements, Finelite reserves the right to change specifications without notice. Please visit [www.finelite.com](http://www.finelite.com) for most current data.