

# E2-ID Retrofit Crossbar Addendum Installation Instructions

## Overview

### NOTE

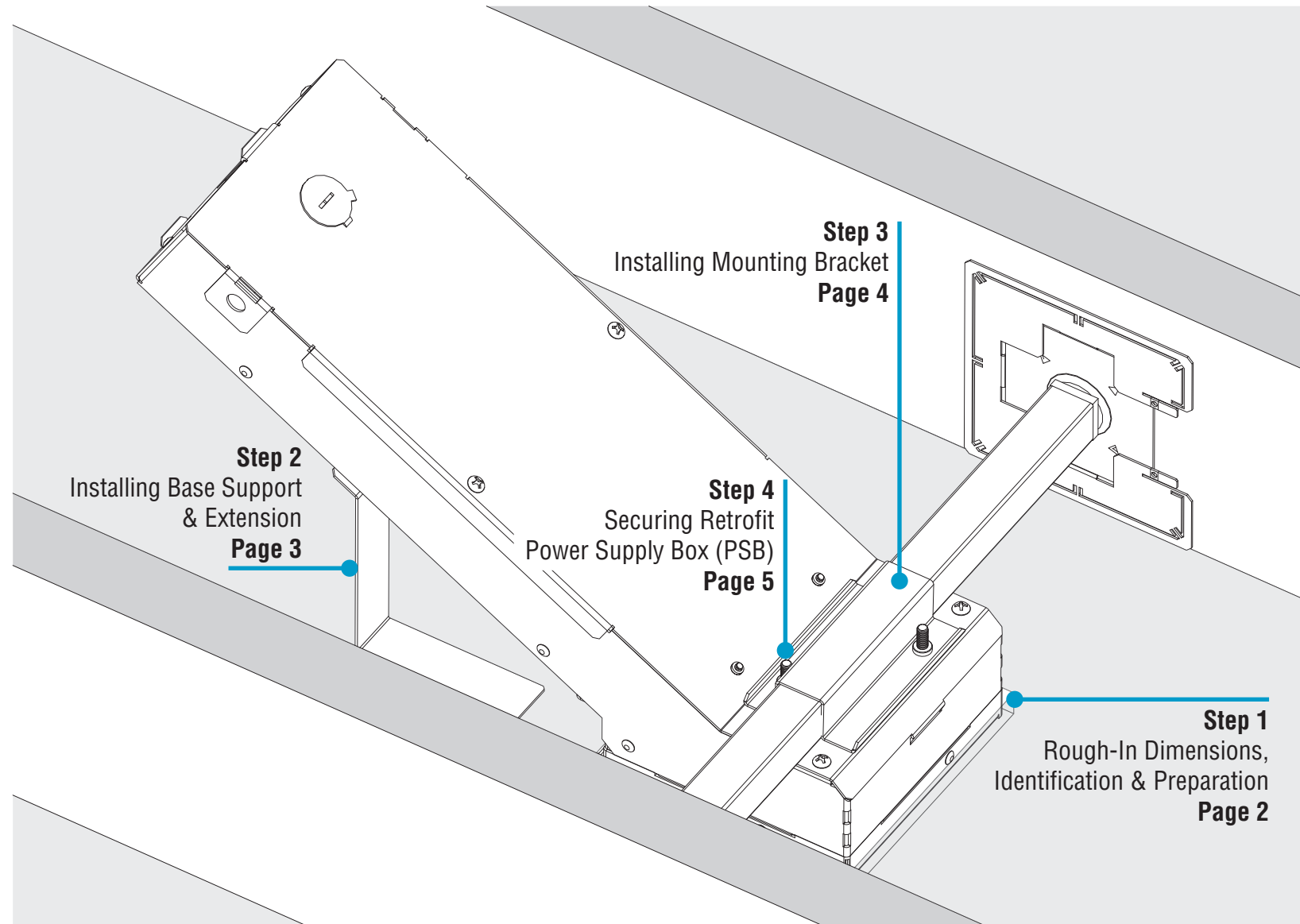
All power connections should be installed according to local/national codes by a Certified Electrician.



HELPFUL  
VIDEO



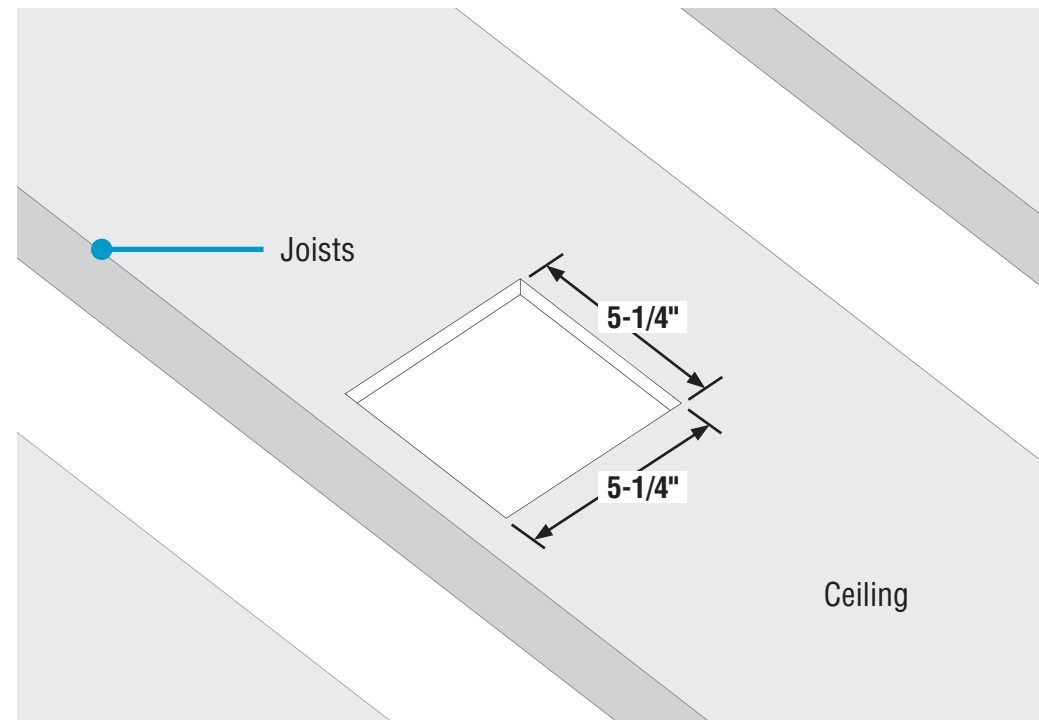
0-10V  
Dimming



# E2-ID Retrofit Crossbar Addendum Installation Instructions

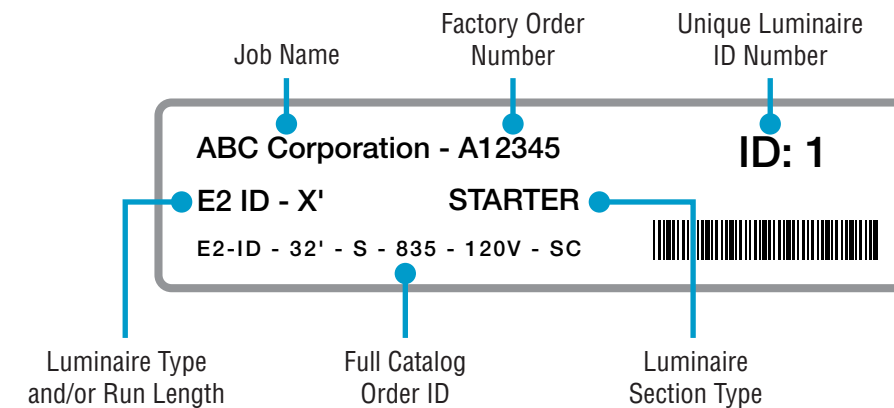
## Step 1 - Rough-In Dimension, Identification & Preparation

### A. Rough-In Dimensions



- Rough-in dimension for drywall installation.

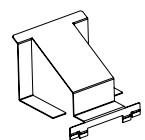
### B. Identify Parts and Labels



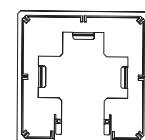
- Identify all luminaires by their ID labels. They can be found on the power cable, inside the PSB and luminaire and on the shipping cartons.
- **NOTE:** Exact location of labels in these areas may vary.
- Remove all luminaires from their box.
- Arrange luminaires in order according to ID# at their install locations.
- Refer to Record Drawings that can be found in the hardware kit.

### Kitted Hardware

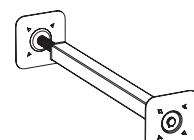
- Finelite has provided items listed here, with their Finelite part numbers. These items can be found in separate boxes shipped with the luminaire.
- Account for all parts and set aside until they are needed.
- All other hardware needed for this installation will be "by others".



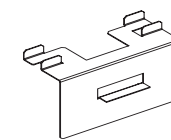
**Base Support**  
Part# 15736  
Installing Base Support & Extension  
p. 3, Step 2



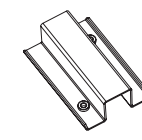
**Extension Brackets**  
Part# 15738  
Installing Base Support & Extension  
p. 3, Step 2



**Crossbar**  
Part# 94194  
Installing Base Support & Extension  
p. 3, Step 2



**Crossbar Locator**  
Part# 15739  
Installing Mounting Bracket  
p. 4, Step 3



**Mounting Bracket**  
Part# 15737  
Installing Mounting Bracket  
p. 4, Step 3  
Securing Retrofit Box  
p. 5, Step 4

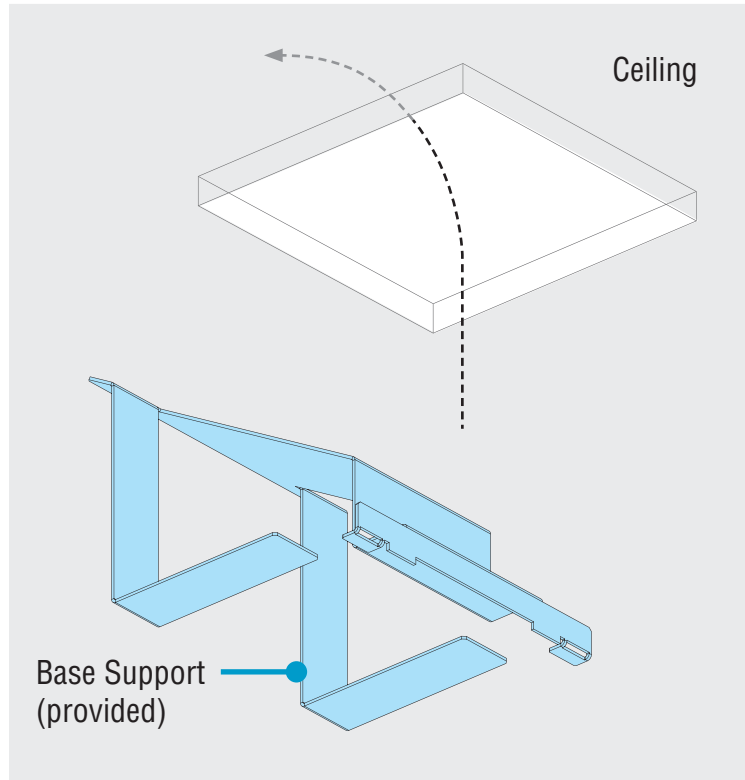


**#10 Screw**  
Part# 94144  
Securing Retrofit Box  
p. 5, Step 4

# E2-ID Retrofit Crossbar Addendum Installation Instructions

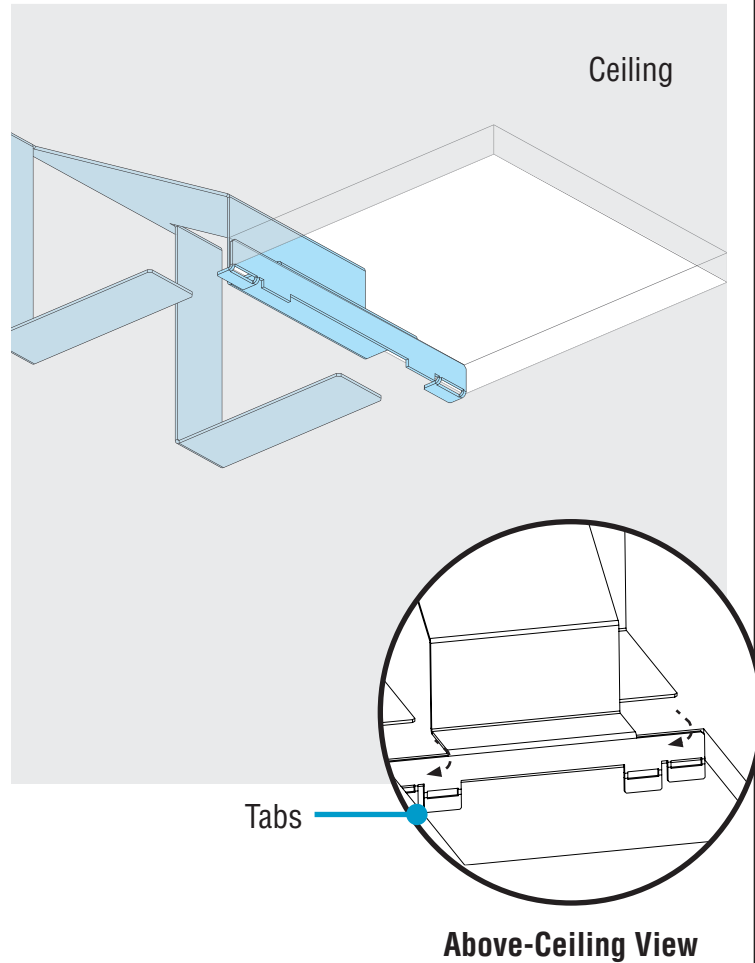
## Step 2 - Installing Base Support & Extension

### A. Install Base Support



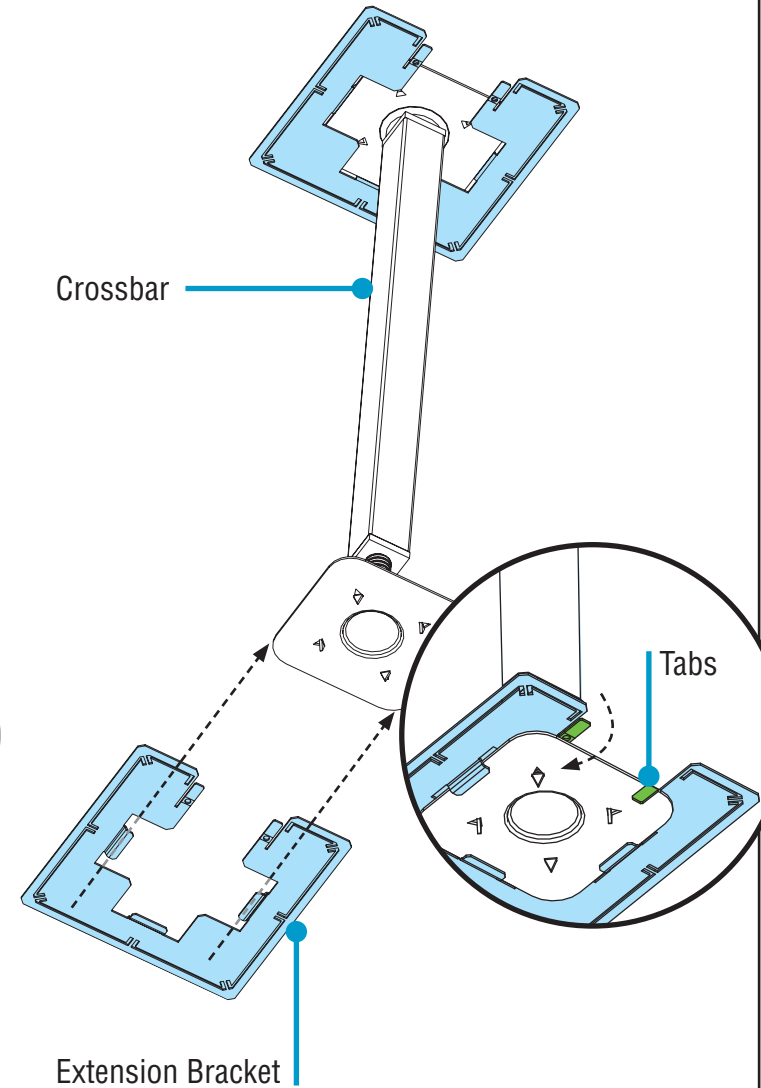
- Place base support on ceiling tile, at edge of rough-in opening.

### B. Secure to Ceiling



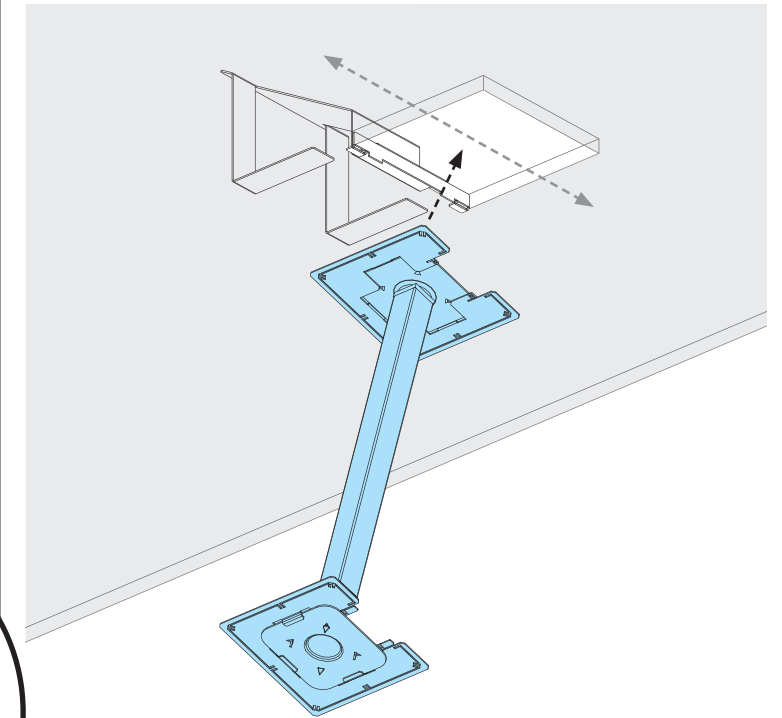
- Select the two tabs appropriate for the thickness of your ceiling tile (1/2" or 5/8") and fold them over the edge of the rough-in opening.
- Clip off and discard the remaining two tabs.

### C. Attach Extension Bracket

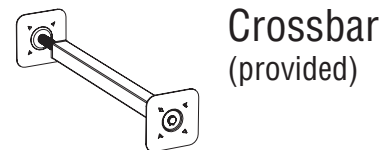


- Slide extension brackets onto both ends of the crossbar.
- Fold over tabs found on each extension bracket to secure.

### D. Install Crossbar Assembly



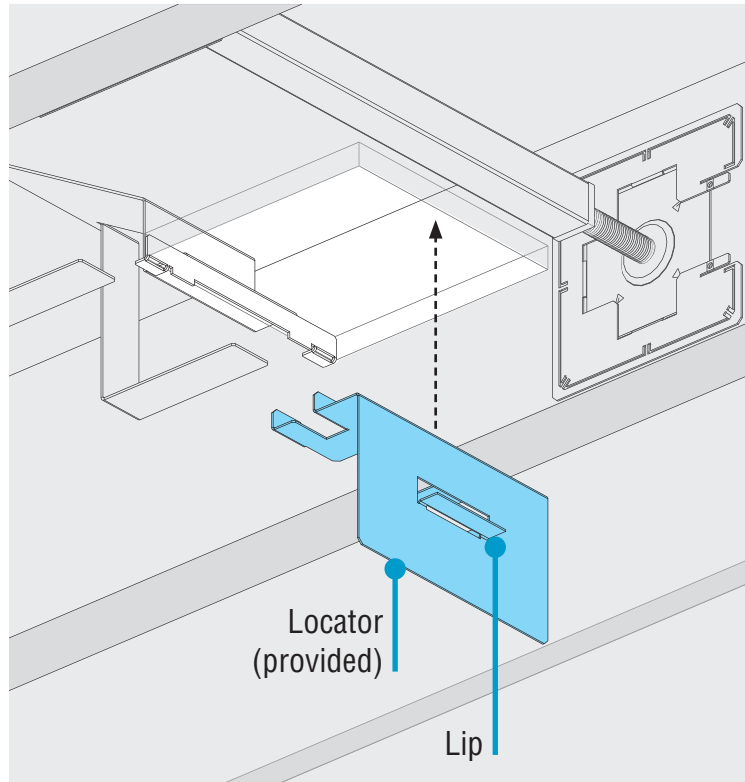
- Maneuver crossbar into ceiling opening and let it rest on top of the ceiling in preparation for installing the locator in the next step.



# E2-ID Retrofit Crossbar Addendum Installation Instructions

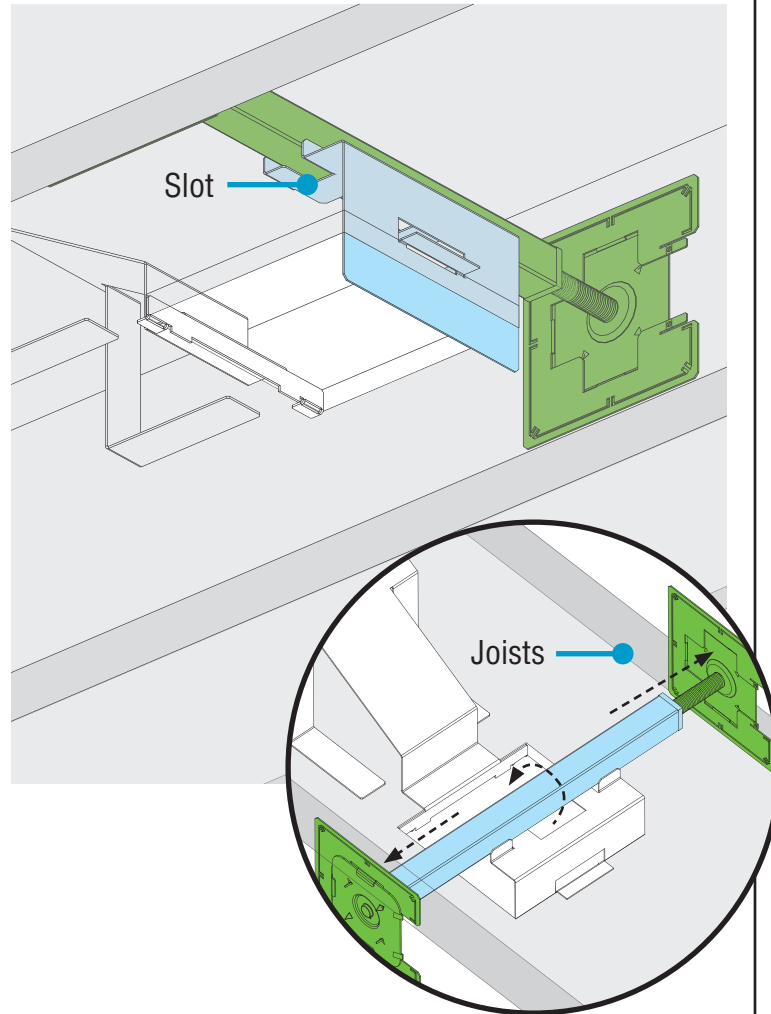
## Step 3 - Installing Mounting Bracket

### A. Place Locator



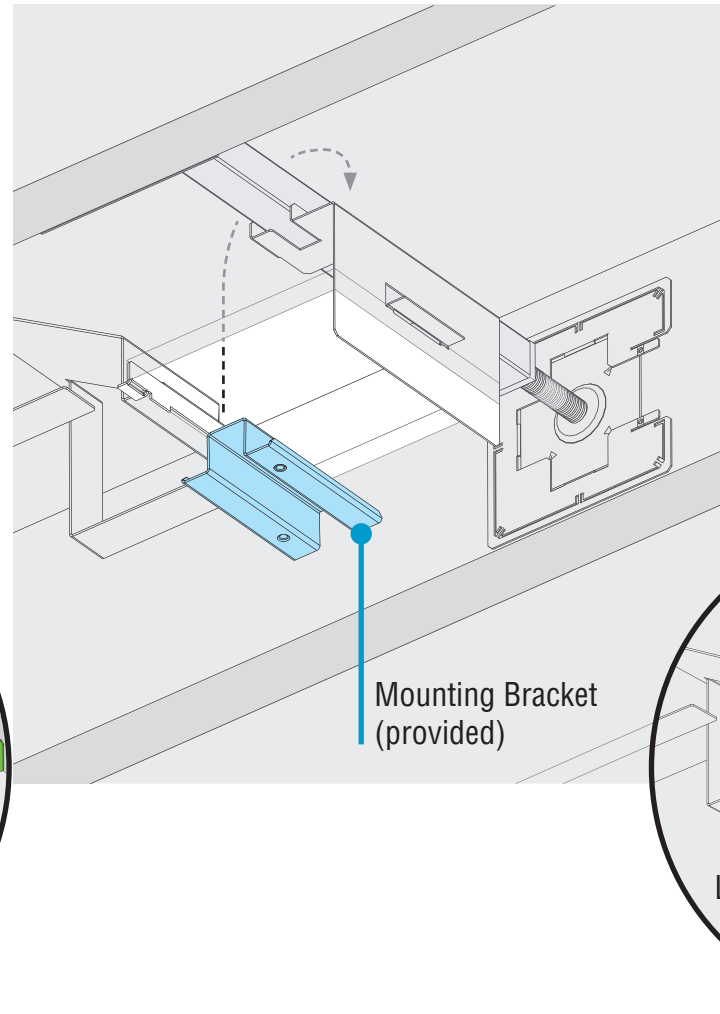
- Maneuver locator into ceiling opening.

### B. Position Crossbar



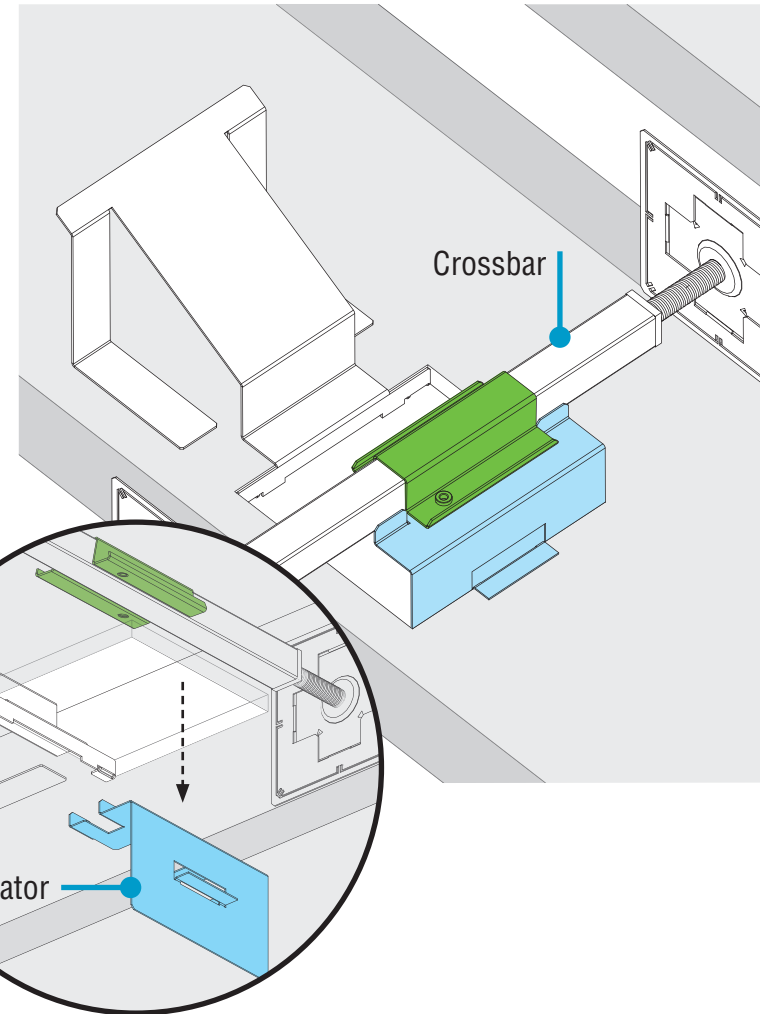
- Let the locator lip rest along the rough-in opening.
- Place crossbar onto locator and let it rest on the locator's slot.
- Rotate crossbar to extend the assembly until it meets the joists.

### C. Install Mounting Bracket

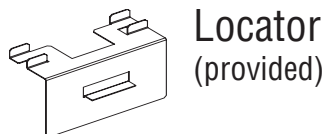


- Maneuver the mounting bracket into ceiling opening
- Using the locator's position as a guide, let the mounting bracket rest on top of the crossbar.

### D. Remove Locator Above-Ceiling View



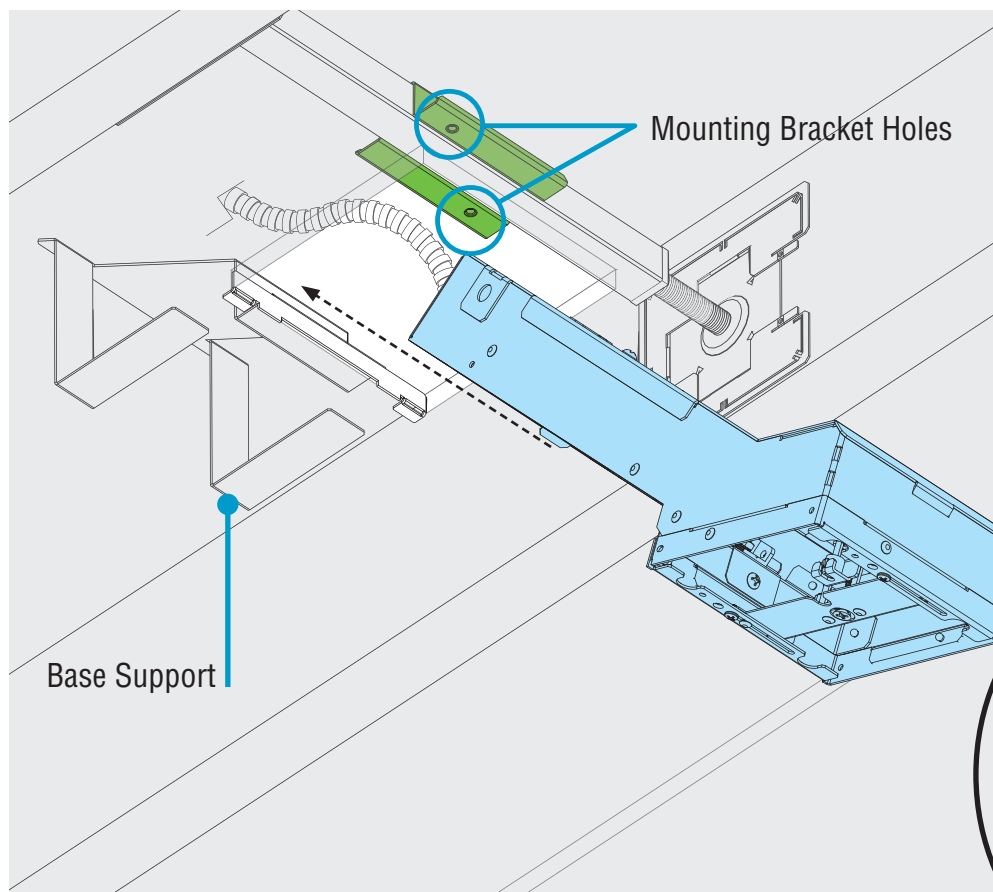
- Notice the placement of the crossbar, locator and mounting bracket.
- Once the mounting bracket has been positioned, remove locator.



# E2-ID Retrofit Crossbar Addendum Installation Instructions

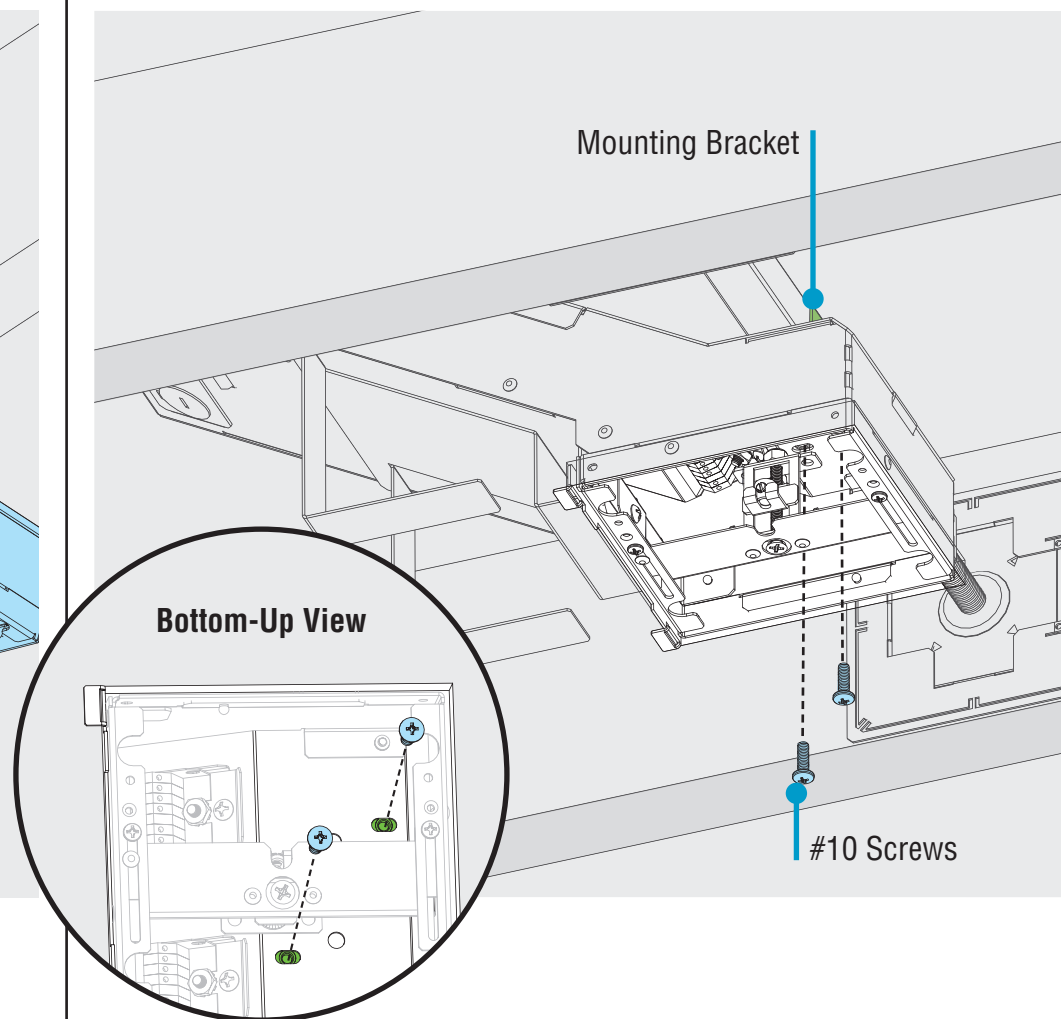
## Step 4 - Securing Retrofit Power Supply Box (PSB)

### A. Install PSB



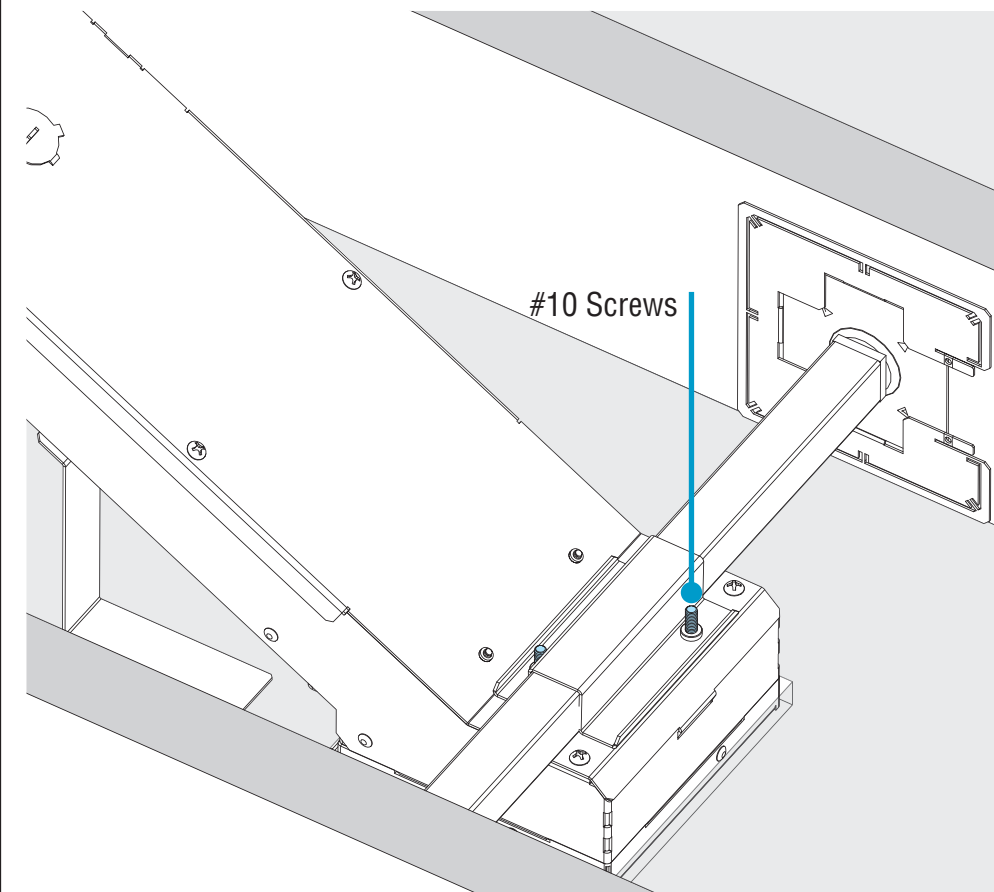
- Maneuver the PSB into ceiling opening and allow it to rest onto the base support.
- Align PSB with mounting bracket holes.

### B. Secure to Mounting Bracket

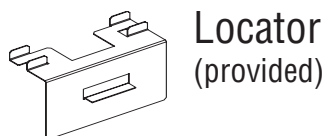


- Secure PSB to mounting bracket using #10 screws.

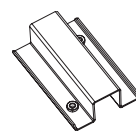
### C. Proceed to Mount Luminaire



- After securing PSB to structure, proceed to mounting luminaires. (See standard installation instructions.)



Locator  
(provided)



Mounting Bracket  
(provided)



#10 Screw  
(provided)