

E2 Indirect/Direct Configuration Installation Instructions

Overview

NOTES

- All power connections should be installed according to local/national codes by a Certified Electrician.
- This installation requires **proper support** as each luminaire is being installed.
- **DO NOT attempt to join luminaires together on the floor.** Damage may result when lifted.



HELPFUL
VIDEOS



0-10V
Dimming



Leveling
System

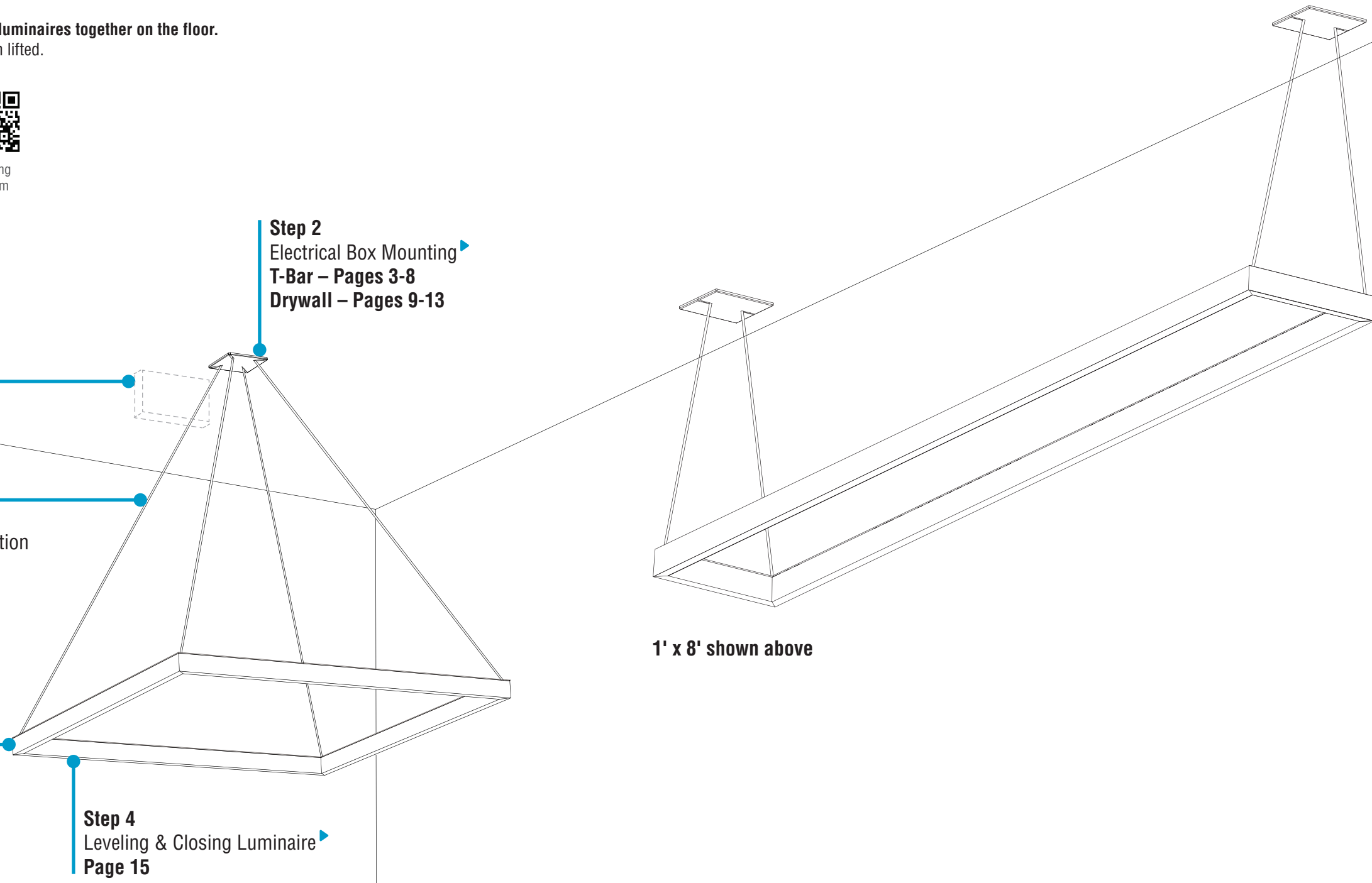
OPTIONAL
Remote Power Supply
Pages 8 & 13

Step 1
Suspension, Identification & Preparation
Page 2

Step 3
Mounting Luminaire Assembly
Page 14

Step 4
Leveling & Closing Luminaire
Page 15

Step 2
Electrical Box Mounting
T-Bar – Pages 3-8
Drywall – Pages 9-13



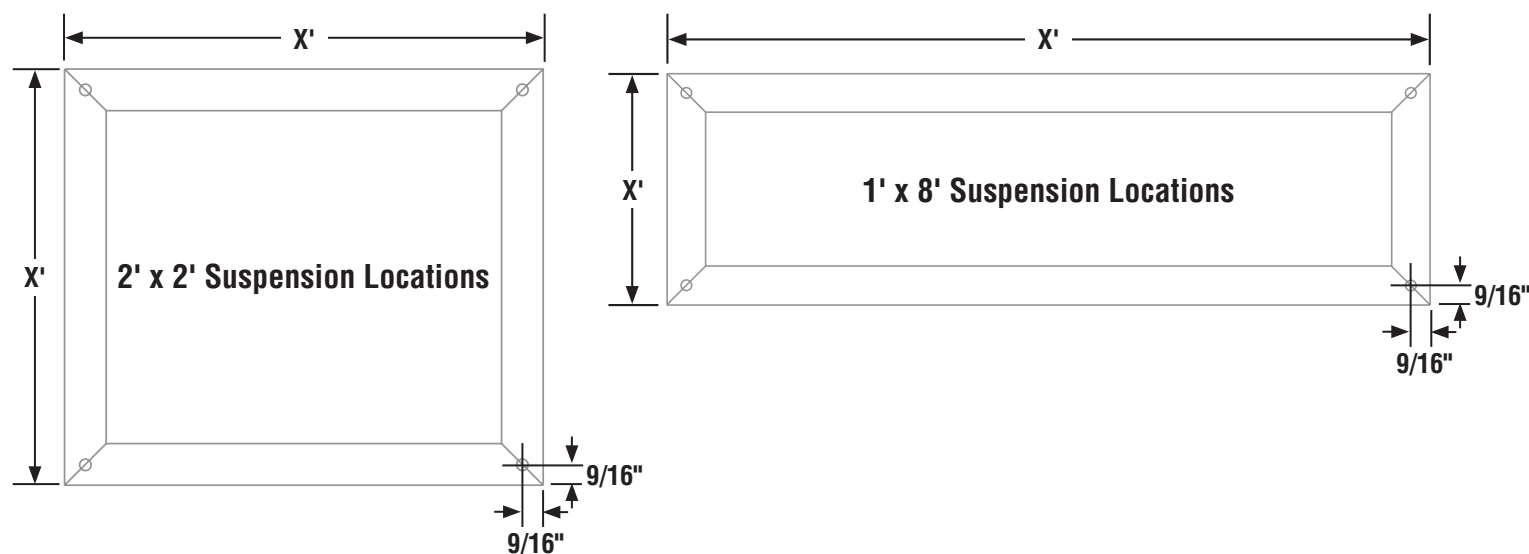
2' x 2' shown above

1' x 8' shown above

E2 Indirect/Direct Configuration Installation Instructions

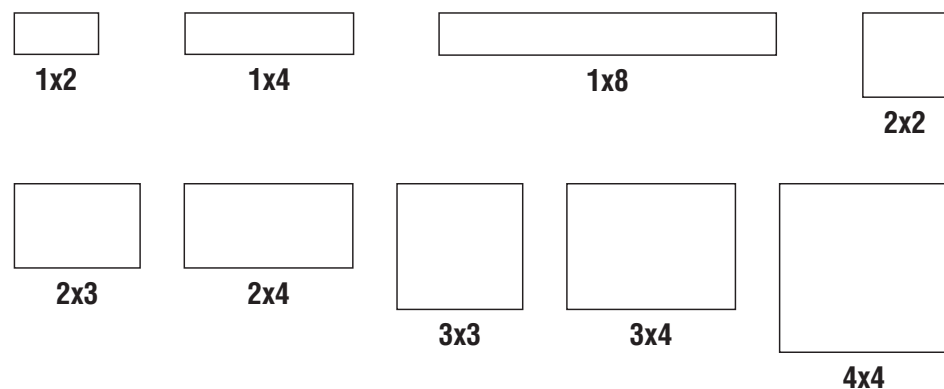
Step 1 – Suspension, Identification & Preparation

Suspension Locations & Configuration Dimensions



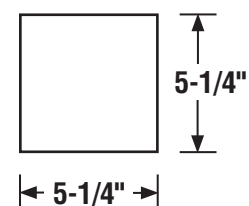
X'	Actual Dimension
1'	13-1/8"
2'	25-1/8"
3'	37-1/8"
4'	49-1/8"
8'	97-1/8"

- X' = Luminaire section length
- All dimensions refer to **OUTSIDE EDGE** of luminaire assembly.

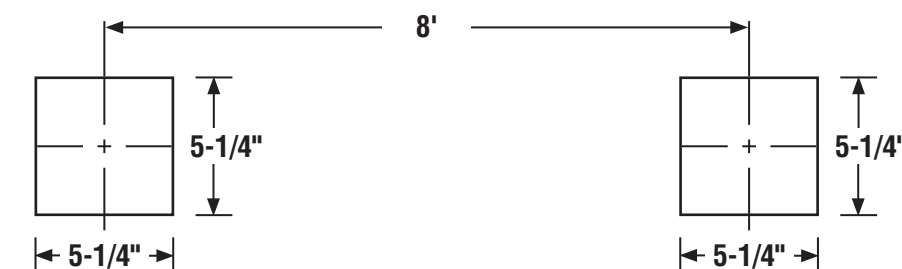


Rough-In Dimensions

2' x 2' Configuration



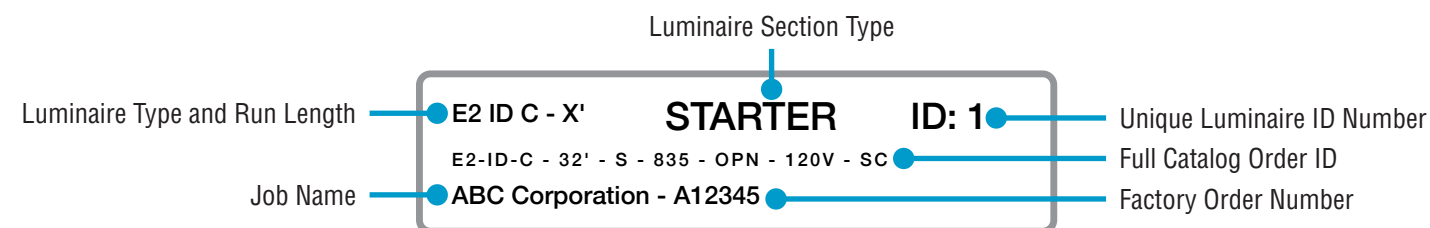
1' x 8' Configuration



Rough-in dimensions are for both T-Bar and drywall installations.

- **NOTE:** 1' x 8' configuration requires two rough-ins.

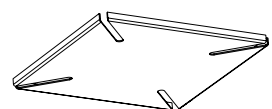
Identify Luminaires



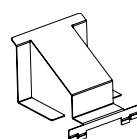
- Remove all luminaires from their box.
- Identify all luminaires by their ID label that can be found on the box, on the reflector bag, and inside the luminaire.
- Arrange luminaires in order according to ID# at their install locations.
- **NOTE:** Exact location of labels in these areas may vary.

Kitted Hardware

- Finelite has provided items listed here, with their Finelite part numbers. These items can be found in separate boxes shipped with the luminaire.
- Account for all parts and set aside until they are needed.
- All other hardware needed for this installation will be by others.



Canopy
FL Part# 15721
Leveling & Closing Luminaire
p. 15, Step 4



Base Support
FL Part# 15736
Electrical Box Mounting - T-Bar
p. 6, Step 2
(For PS Box P03)

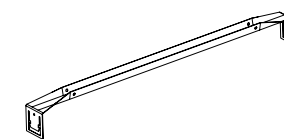


Corner Filler
Part# 15781
Leveling & Closing Luminaire
p. 15, Step 4



1x8 Canopy Filler
Part# 15787
Leveling & Closing Luminaire
p. 15, Step 4

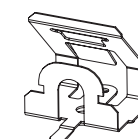
NOTE: Items listed here are by others ("Part#") but are also available from Finelite upon request ("FL Part#").



T-Bar Hanger
FL Part# 94077
Part# 512 HD
Electrical Box Mounting - T-Bar
p. 5-7, Step 2



Drywall Bar Hanger
FL Part# 64218
Part# TSGB24
Electrical Box Mounting - Drywall
p. 11-12, Step 2



Bar Hanger Channel
FL Part# 68250
Part# TSGLD1
Electrical Box Mounting - Drywall
p. 11-12, Step 2
(For PS Boxes P03 & S01)



Retention Collar
Part# 15818 for 2-4 cond
Part# 15819 for 5 cond
Mounting Luminaire Assembly
p14, Step 3

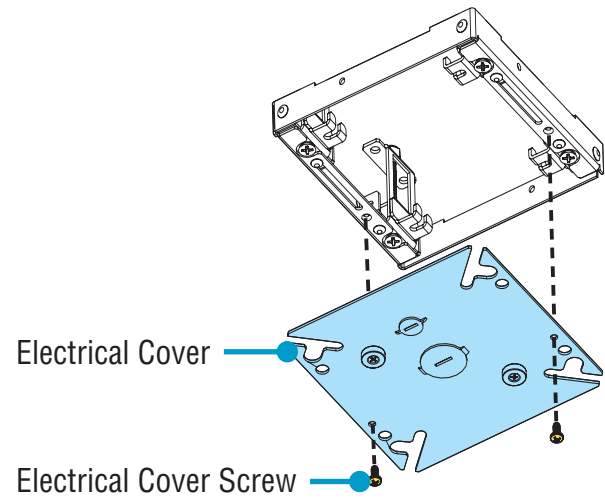


Set Screw - #10-32x3/16"
Part# 15692
Mounting Luminaire Assembly
p14, Step 3

E2 Indirect/Direct Configuration Installation Instructions

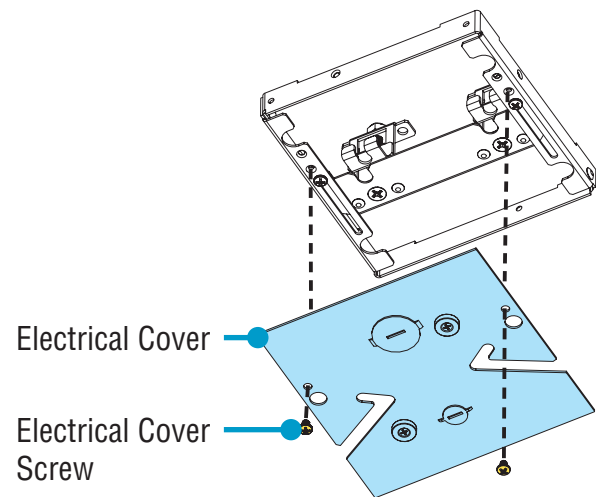
Step 2 – Electrical Box Mounting – T-Bar

Power Electrical Cover



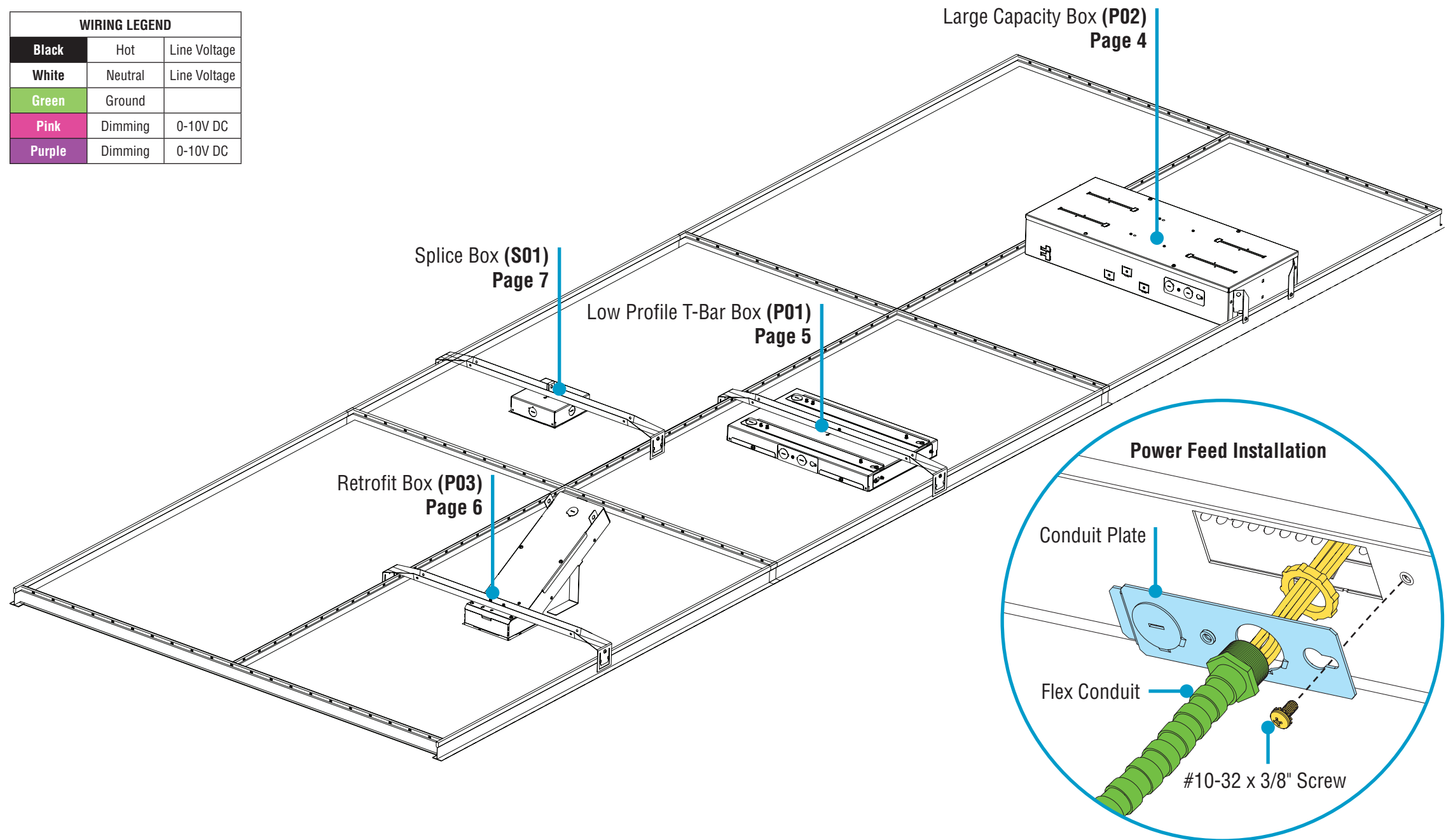
• Prior to starting power box installation: Remove electrical cover from collar.

For 1X8 Configuration Only



T-Bar Installation Overview Top-Down View

WIRING LEGEND		
Black	Hot	Line Voltage
White	Neutral	Line Voltage
Green	Ground	
Pink	Dimming	0-10V DC
Purple	Dimming	0-10V DC



 Electrical Cover Screws
#6-32 x 3/16" (by others)

 Flex Conduit
(by others)



0-10V
Dimming

E2 Indirect/Direct Configuration Installation Instructions

Step 2 – Electrical Box Mounting – T-Bar

Large Capacity Power Supply (PS) Box

Overview

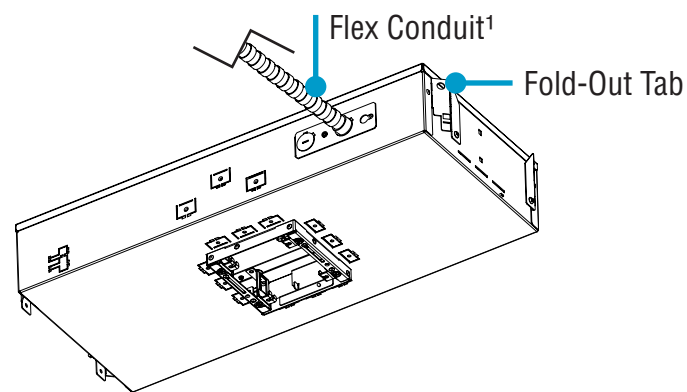
For luminaire configurations with any of the following:



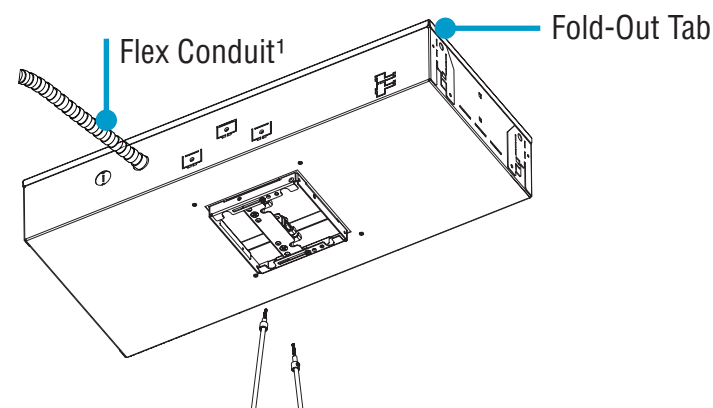
CAUTION

- Emergency to generator/inverter wiring
- Internal generator transfer switch
- Nightlight wiring
- Step-dimming driver
- Backup battery

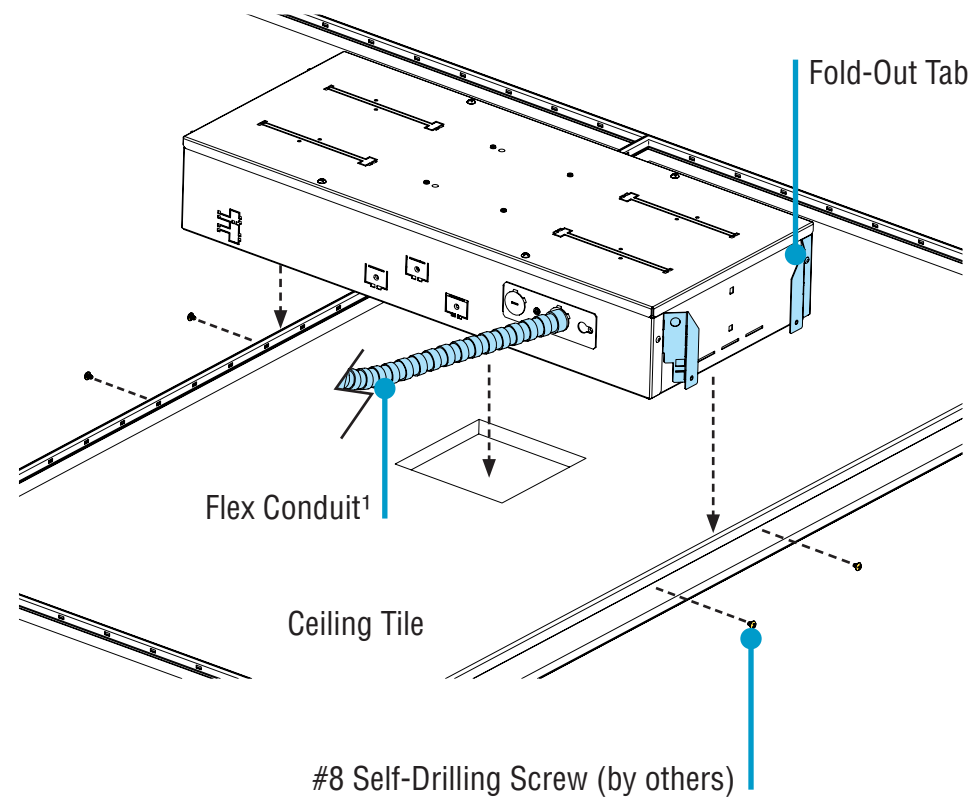
The Large Capacity PS Box (P02) provides **more than one** power supply output source. To reduce the risk of electric shock, disconnect **both** normal and emergency sources within this unit before servicing any equipment connected to this unit.



For 1X8 Configuration Only

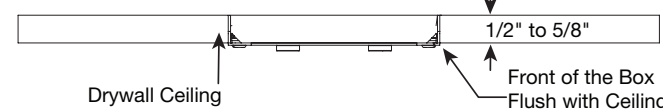


A. Place on Ceiling Tile Top View



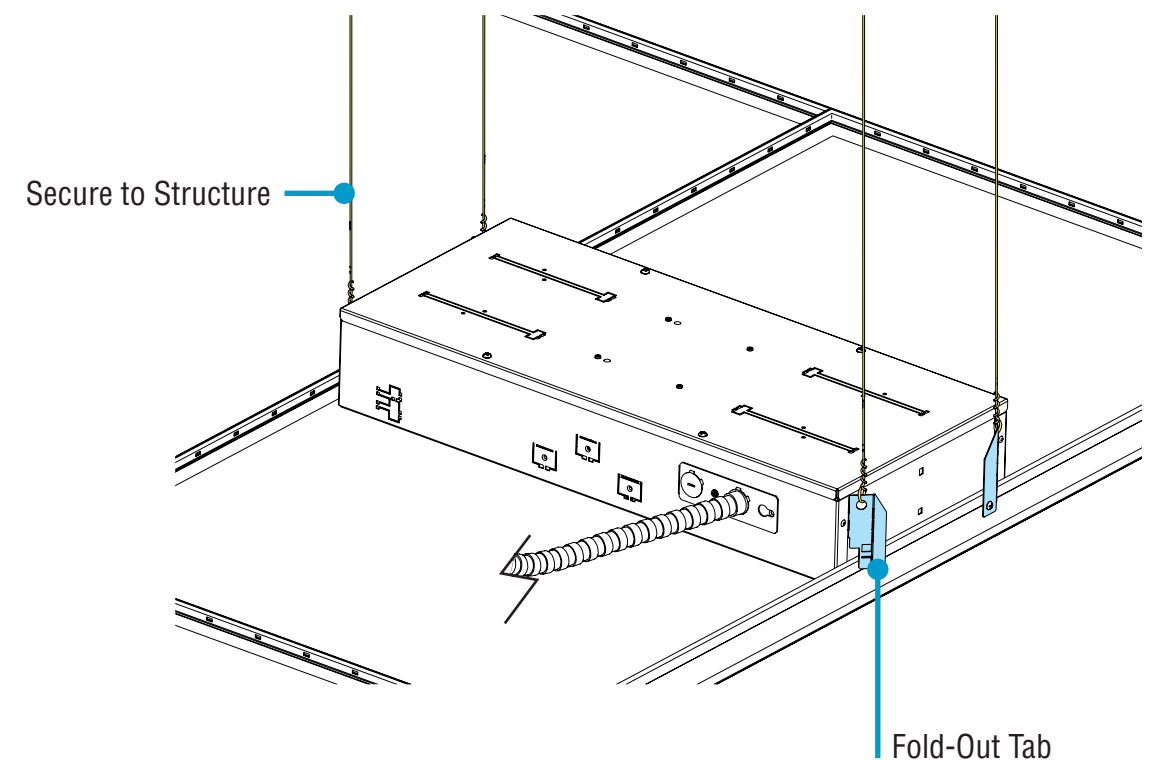
CAUTION

Collar must be flush with bottom of ceiling tile.



- Install Large Capacity PS Box onto ceiling tile and align collar with rough-in opening.
- Secure fold-out tabs to T-Bars using four #8 self-drilling screws.
- Apply flex conduit¹ to power feed knockout.

B. Secure to Structure Top View



- Secure Large Capacity PS Box to structure using the fold-out tabs, per building code.



#8 Self-Drilling Screws
(by others)



Flex Conduit
(by others)

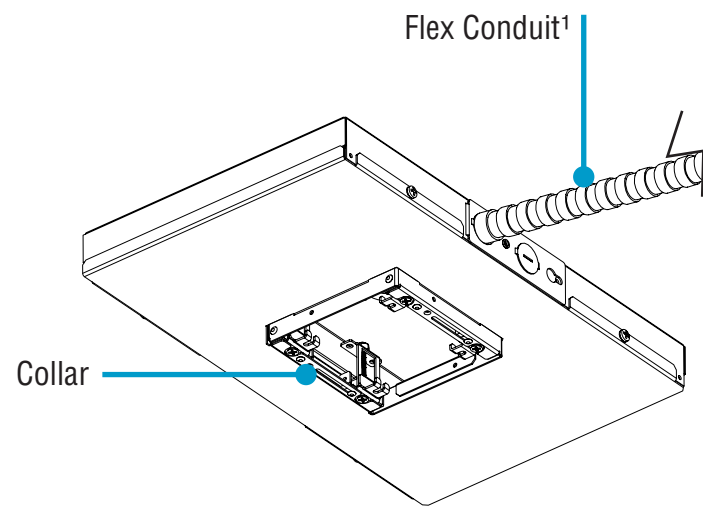
¹ Preferred power feed location shown.

E2 Indirect/Direct Configuration Installation Instructions

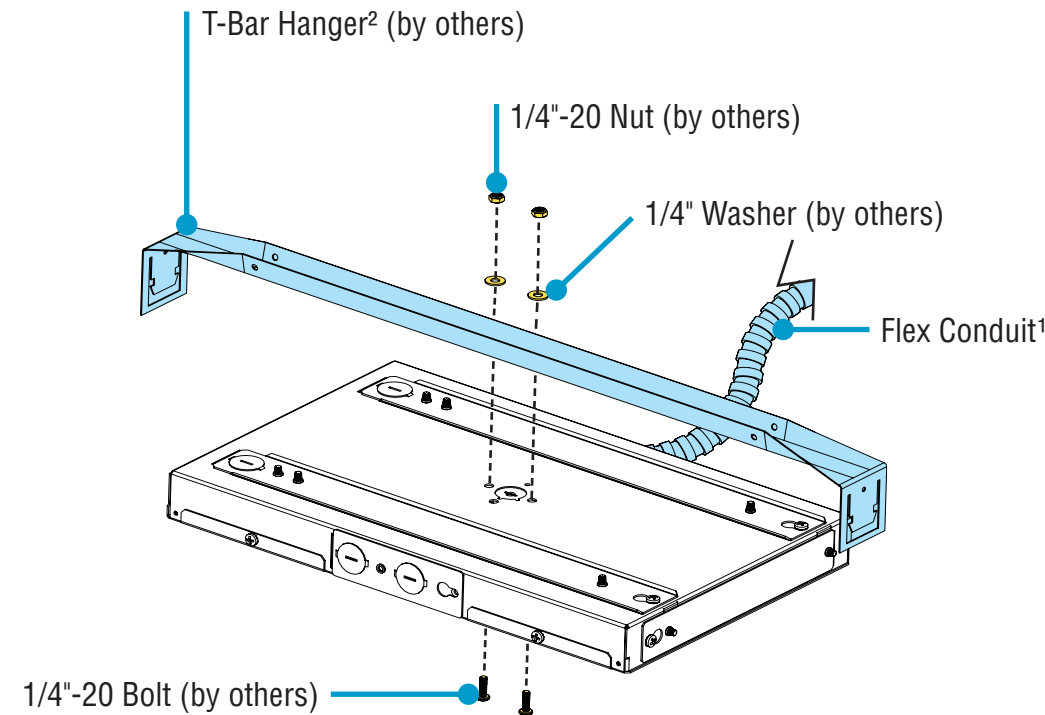
Step 2 – Electrical Box Mounting – T-Bar

Low Profile T-Bar Power Supply (PS) Box

Overview

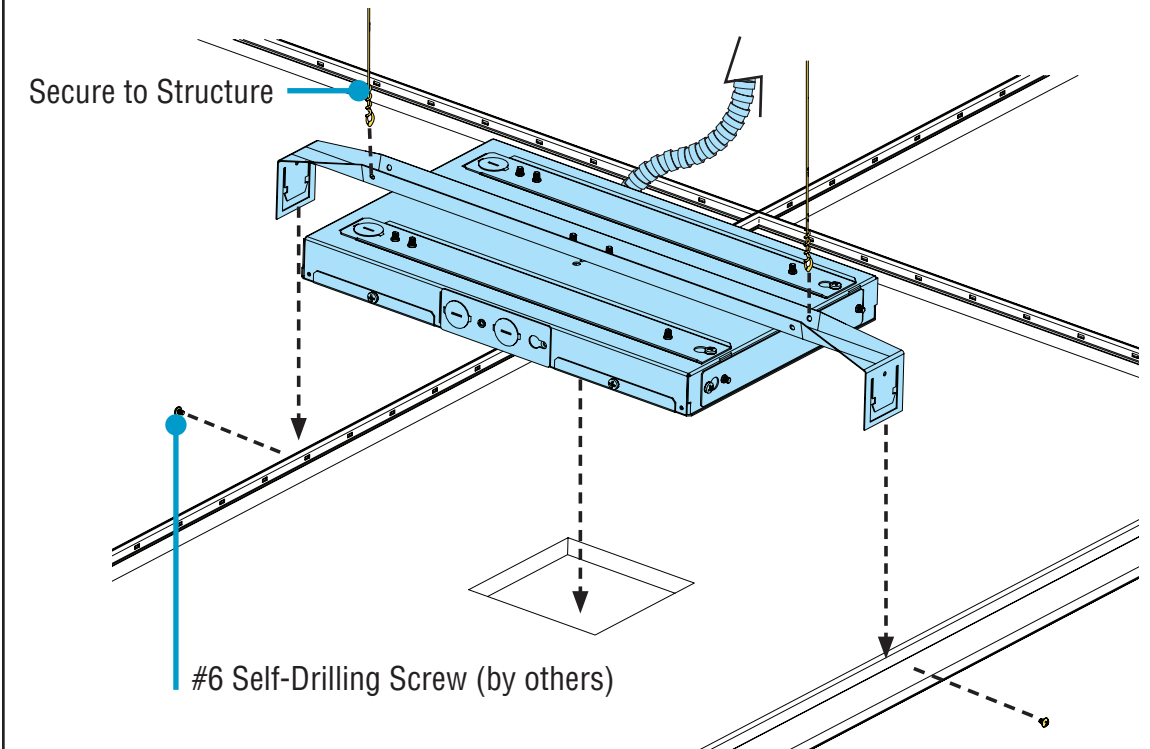


A. Install Bar Hanger Top View



- Install T-Bar hanger² to Low Profile PS Box using two each of 1/4"-20 nuts, 1/4" washers and 1/4"-20 bolts.
- Apply flex conduit¹ to power feed knockout.

B. Place on Ceiling Tile Top View



Collar must be flush with bottom of ceiling tile.

CAUTION

Drywall Ceiling

1/2" to 5/8"

Front of the Box
Flush with Ceiling

- Place Low Profile PS Box onto ceiling tile and align collar with rough-in opening.
- Clip the T-Bar hanger² onto T-Bars.
- Secure T-Bar hanger to T-Bars using two #6 self-drilling screws.
- Secure Low Profile PS Box to structure using T-Bar hanger holes, per building code.

#6 Self-Drilling Screws
(by others)

1/4" Washer(s)
(by others)

1/4"-20 Bolt(s)
(by others)

T-Bar Hanger²
(by others)

Flex Conduit
(by others)

1/4"-20 Nut(s)
(by others)

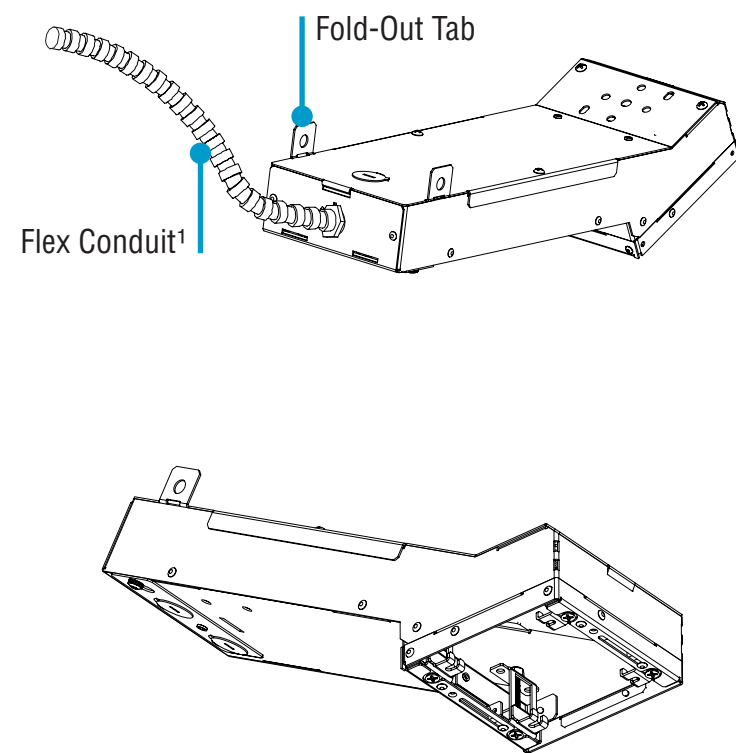
¹ Preferred power feed location shown.
² Part by others but also available from Finelite upon request.

E2 Indirect/Direct Configuration Installation Instructions

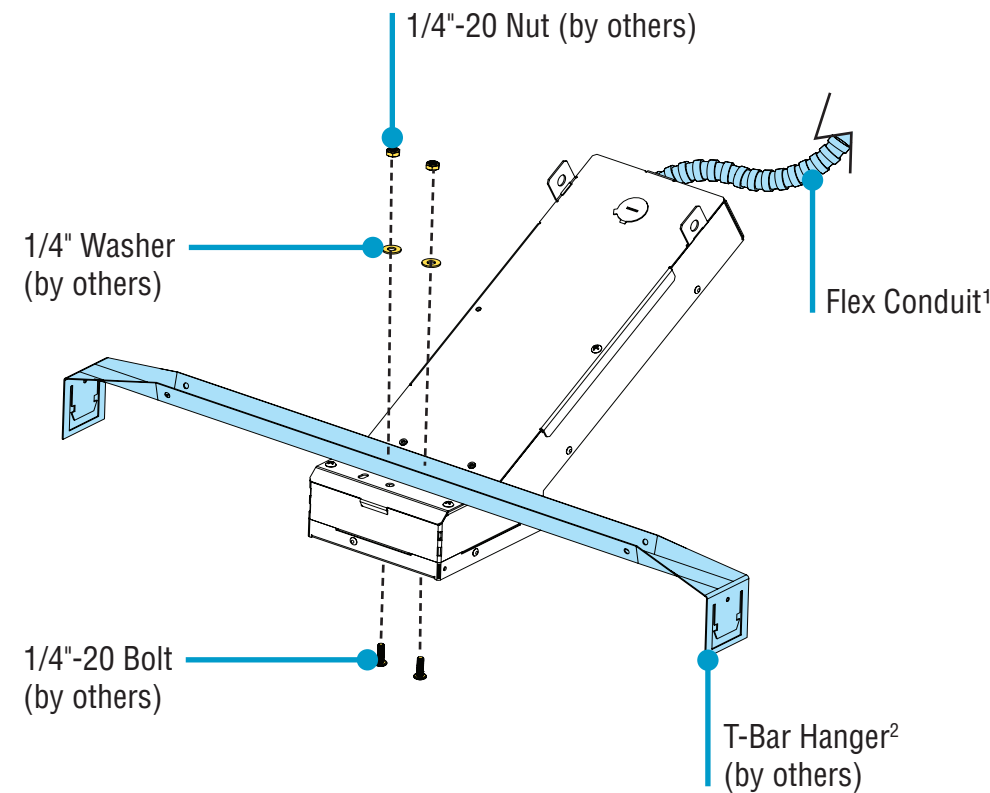
Step 2 – Electrical Box Mounting – T-Bar

Retrofit Power Supply (PS) Box

Overview

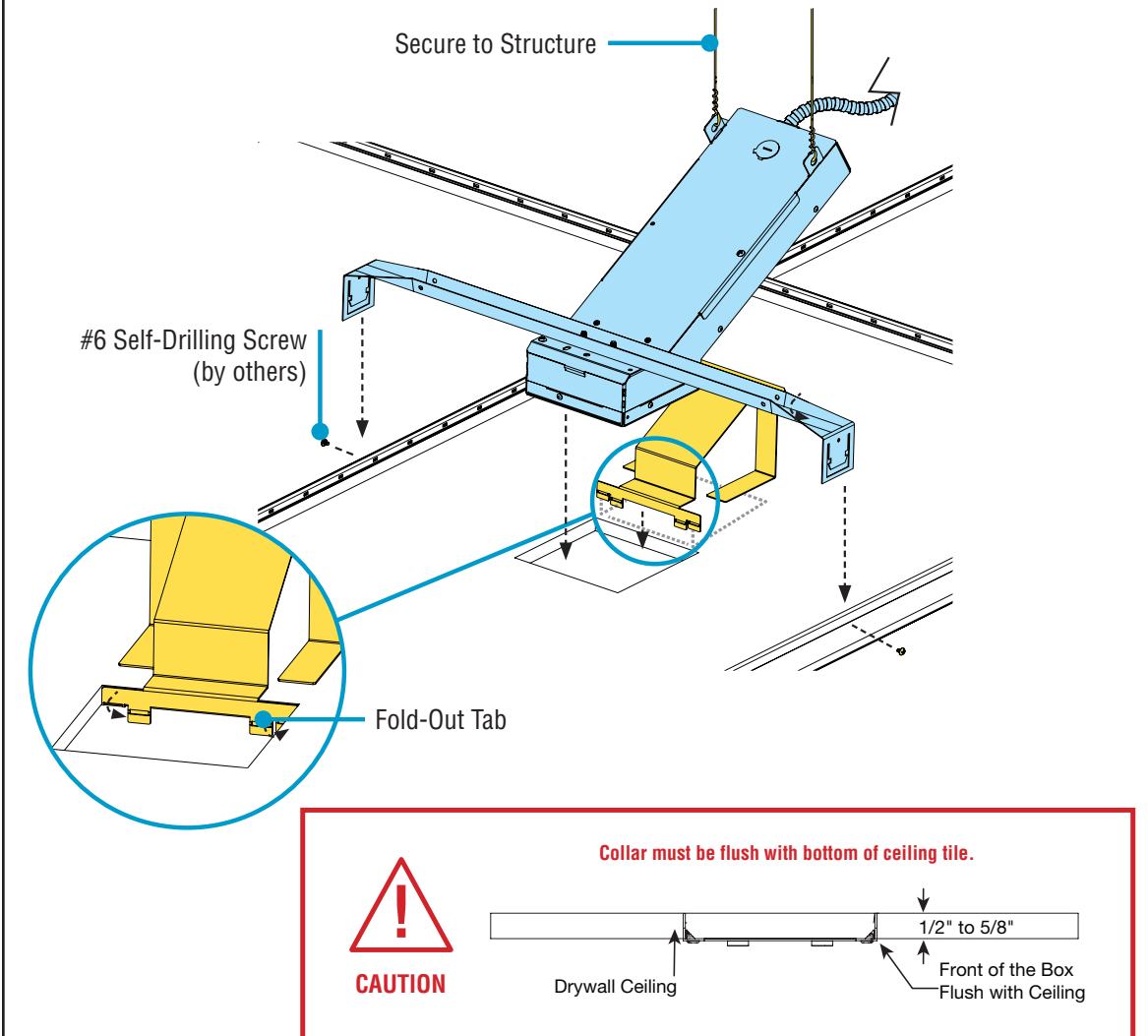


A. Install Bar Hanger Top View



- Install T-Bar hanger² to Retrofit PS box using two each 1/4"-20 nuts, 1/4" washers and 1/4"-20 bolts.
- Apply flex conduit¹ to power feed knockout.

B. Place on Ceiling Tile Top View



- Place base support on ceiling tile, at edge of rough-in opening.
- Select the two tabs appropriate for the thickness of your ceiling tile (1/2" or 5/8") and fold them over the edge of the rough-in opening.
- Clip off and discard the remaining two tabs.
- Rest the Retrofit PS Box onto the base support and clip the T-Bar hanger² onto the T-Bars.
- Secure T-Bar hanger to T-Bars using two #6 self-drilling screws.
- Secure PS box to structure using fold-out tabs, per building code.

#6 Self-Drilling Screws
(by others)

1/4" Washer(s)
(by others)

1/4"-20 Bolt(s)
(by others)

T-Bar Hanger²
(by others)

Base Support
(provided)

Flex Conduit
(by others)

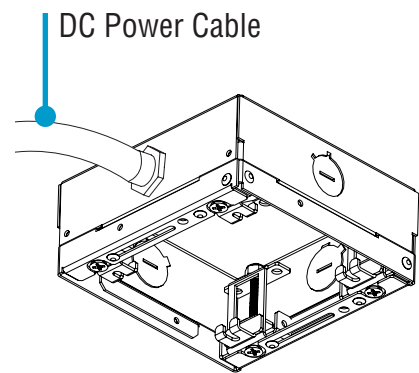
¹ Preferred power feed location shown.
² Part by others but also available from Finelite upon request.

E2 Indirect/Direct Configuration Installation Instructions

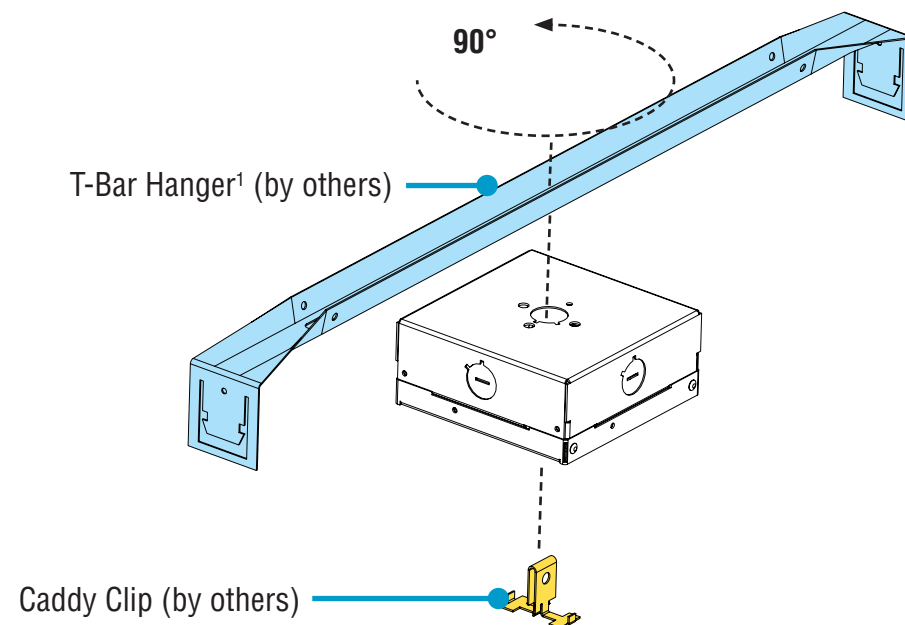
Step 2 – Electrical Box Mounting – T-Bar

Splice Box

Overview



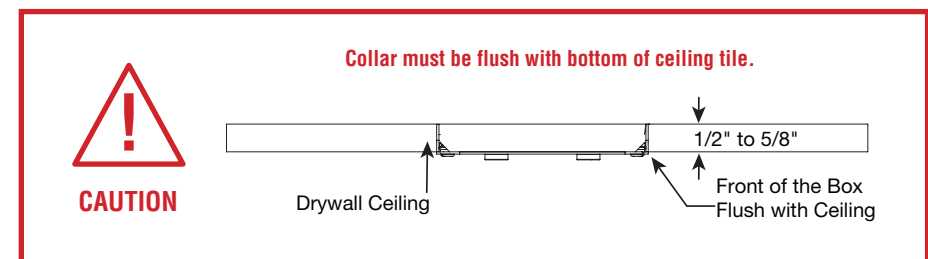
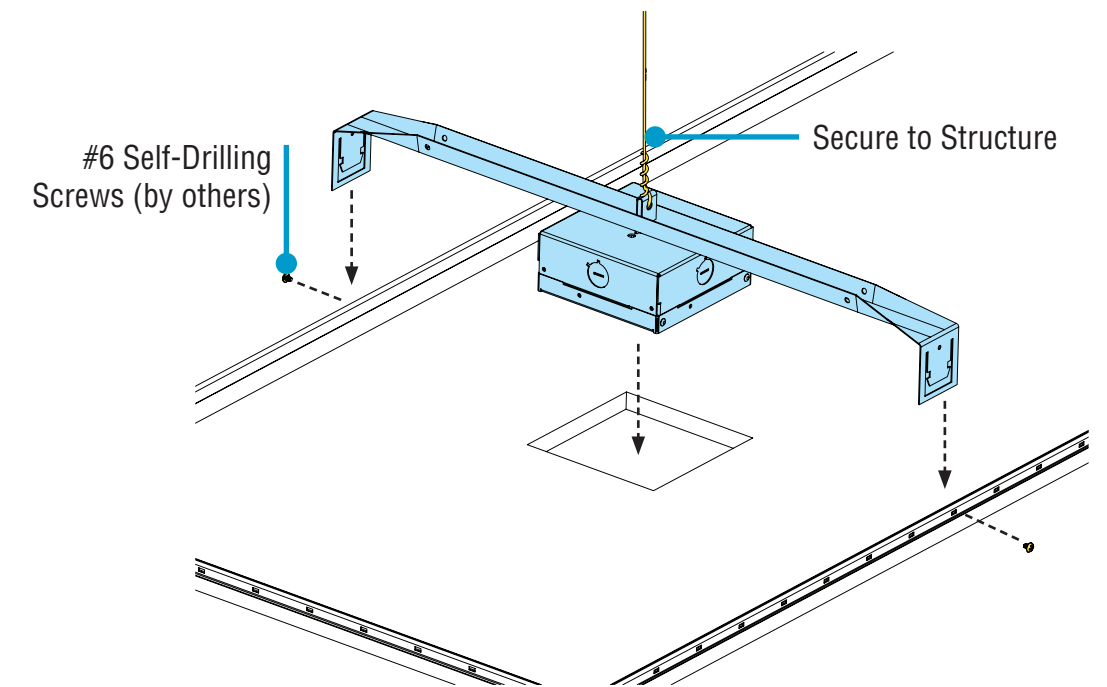
A. Install Bar Hanger Top View



- Install T-Bar hanger¹ onto Splice Box using one caddy clip.
- Rotate T-Bar hanger 90° to lock into place.

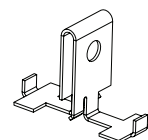
For splice box with remote power supply installation, refer to page 8.

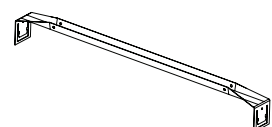
B. Place on Ceiling Tile Top View



- Place Splice Box onto ceiling tile and align collar with rough-in opening.
- Clip the T-Bar hanger¹ onto T-Bars and secure to T-Bars using two #6 self-drilling screws.
- Secure Splice Box to structure using caddy clip, per building code.

 #6 Self-Drilling Screws
(by others)

 Caddy Clip
(by others)

 T-Bar Hanger¹
(by others)

¹ Part by others but also available from Finelite upon request.

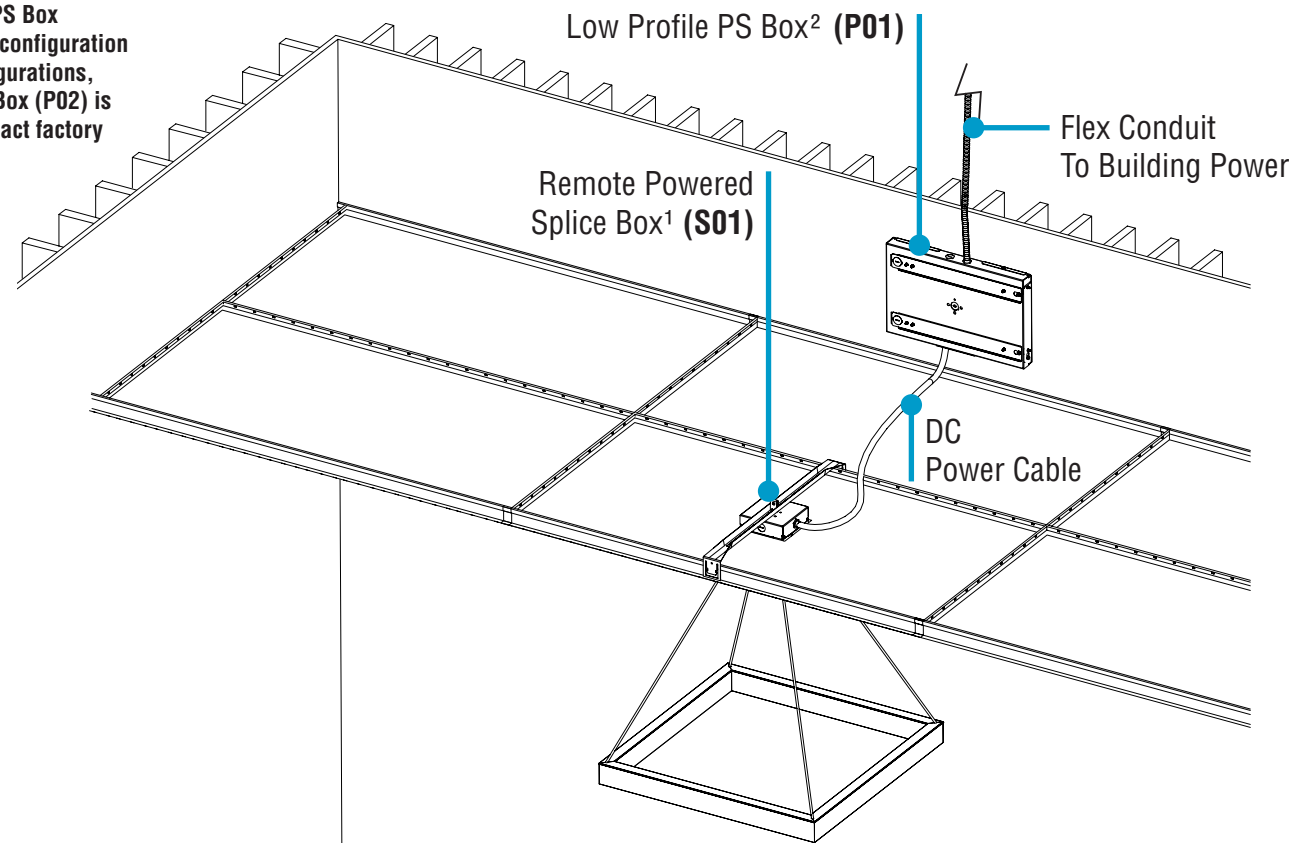
E2 Indirect/Direct Configuration Installation Instructions

Optional – Remote Power Supply (PS) – T-Bar

Splice Box with Low Profile PS Box Remote Installation

Overview Top-Down View

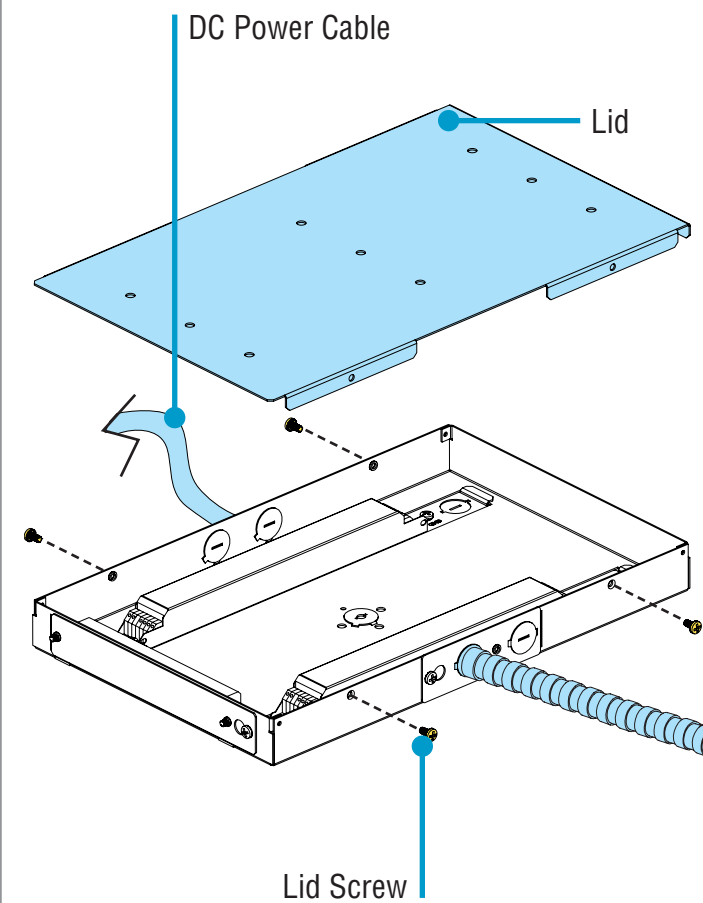
Remote Low Profile PS Box option shown for 2x2 configuration only. For larger configurations, a Large Capacity PS Box (P02) is required. Please contact factory for more details.



Wire Gauge ³ (AWG)	Distance ⁴ (ft.)	Pendant Feed Cable (in.)
12	85	50
	81	100
	77	150
14	52	50
	47	100
	43	150
18	17	50
	13	100
	9	150

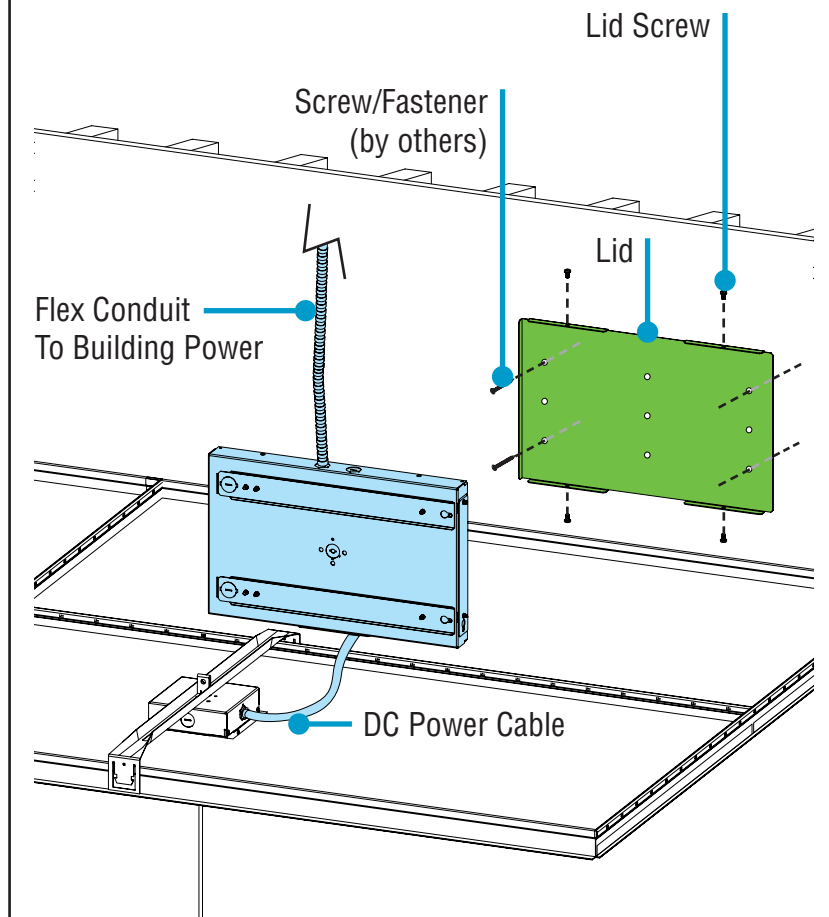
NOTE: To reduce EMI, use shortest length wires appropriate for your application and shielded wire or metallic conduit.

A. Remove Lid

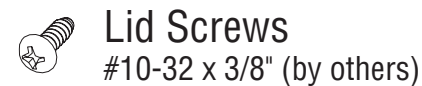
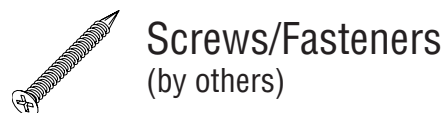


- Remove lid from Low Profile PS Box by unscrewing the lid screws.
- Connect DC power cable to opposite end of PS box.
- Connect flex conduit to building power.

B. Mount Lid and PS Box



- Using appropriate screws or fasteners, mount lid to wall and proper support structures, per building code.
- Mount Low Profile PS box to lid by replacing lid screws.
- Connect DC power cable to the splice box.



¹ For splice box T-Bar installation, see page 7.

³ Wire gauge for minimum loss from power box to non-power box.

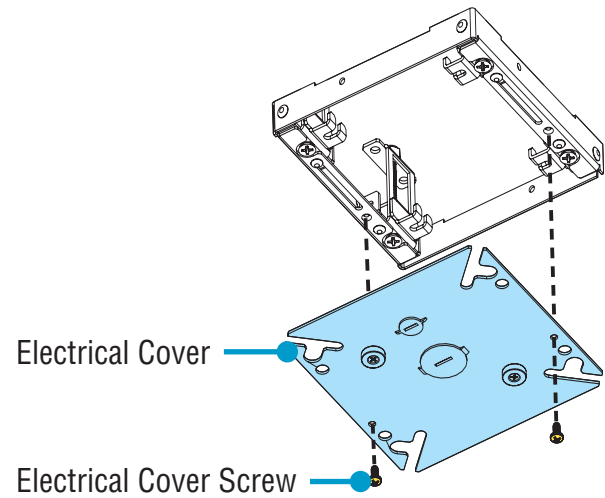
² For low profile PS box T-Bar installation, see page 5.

⁴ Maximum distance from power box to non-power box.

E2 Indirect/Direct Configuration Installation Instructions

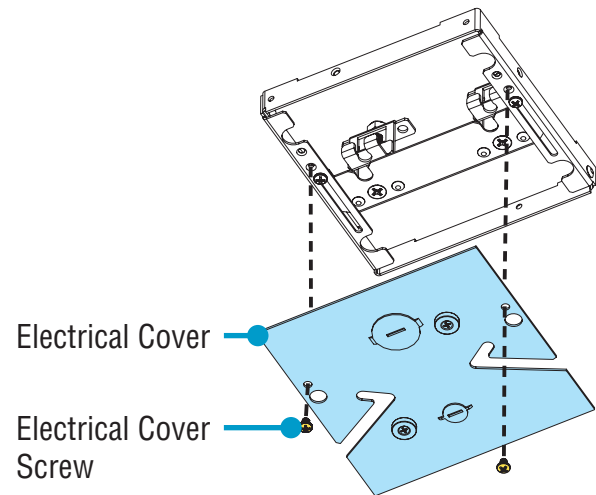
Step 2 – Electrical Box Mounting – Drywall

Power Electrical Cover



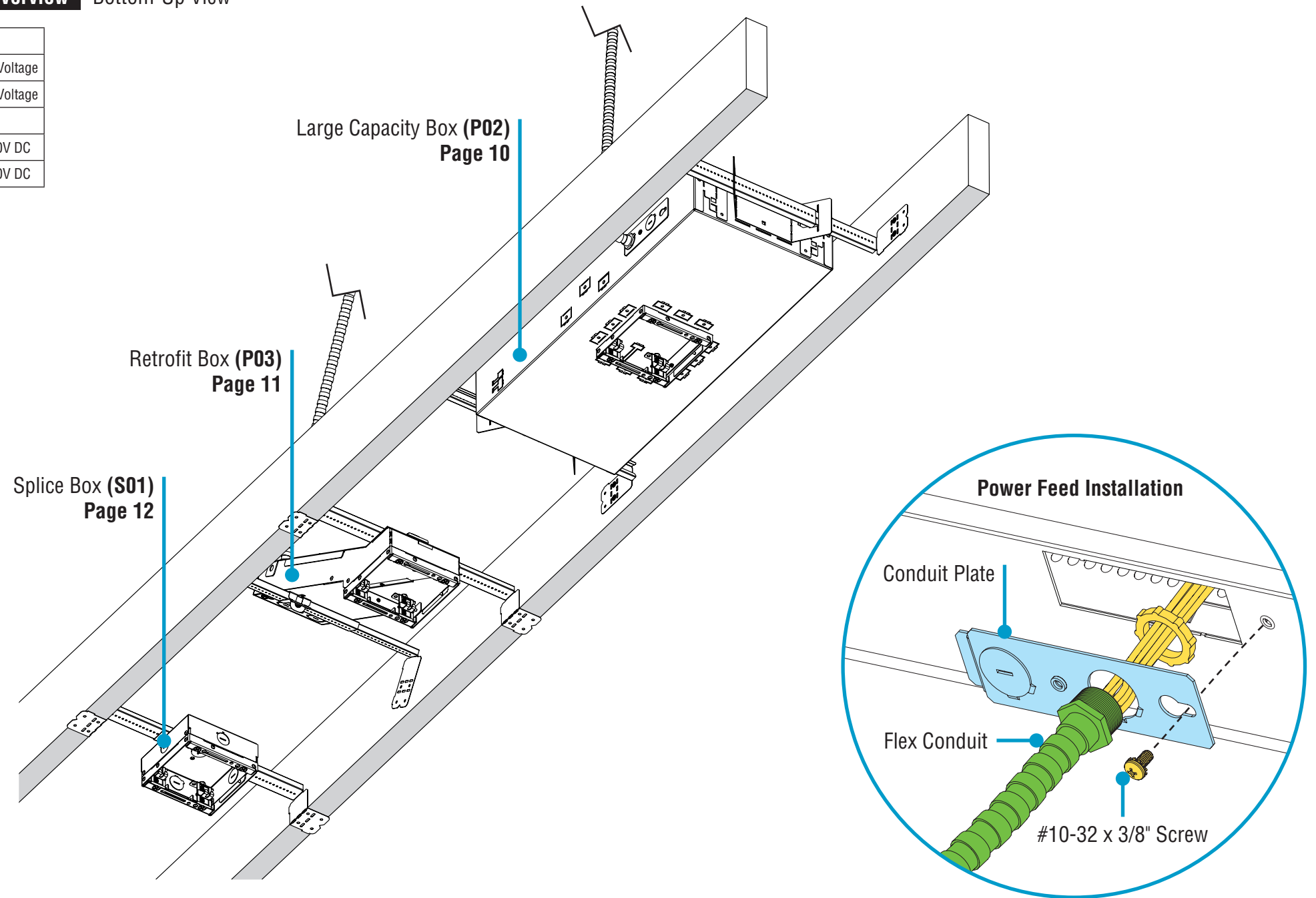
• **Prior to starting power box installation:** Remove electrical cover from collar.


For 1X8 Configuration Only



Drywall Installation Overview Bottom-Up View

WIRING LEGEND		
Black	Hot	Line Voltage
White	Neutral	Line Voltage
Green	Ground	
Pink	Dimming	0-10V DC
Purple	Dimming	0-10V DC



 Electrical Cover Screws
#6-32 x 3/16" (by others)

 Flex Conduit
(by others)



0-10V
Dimming

E2 Indirect/Direct Configuration Installation Instructions

Step 2 - Electrical Box Mounting - Drywall

Large Capacity Power Supply (PS) Box

A. Install Bar Hanger

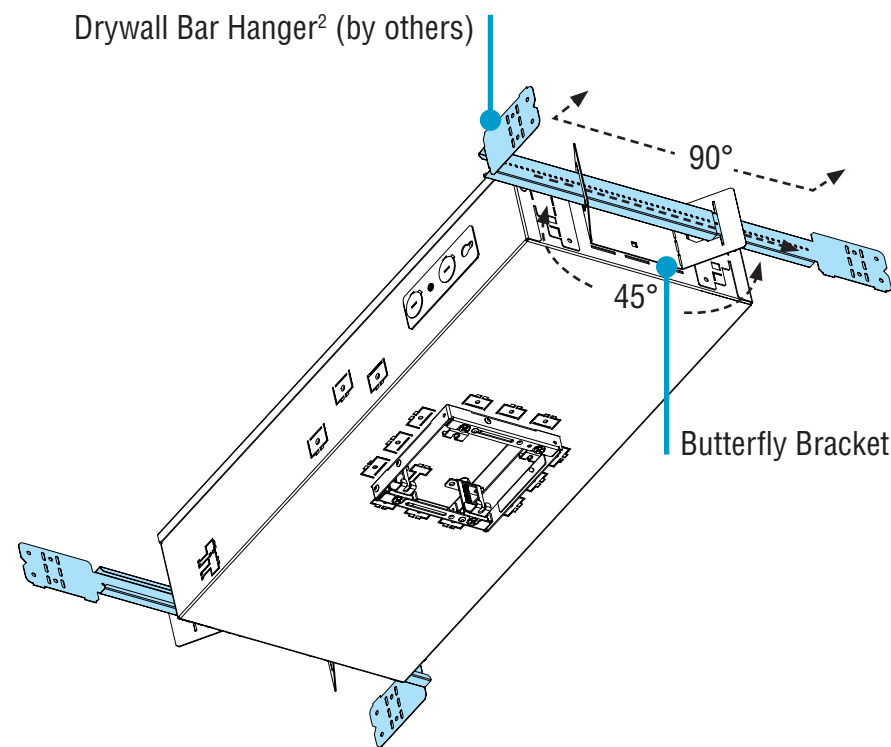


CAUTION

For luminaire configurations with any of the following:

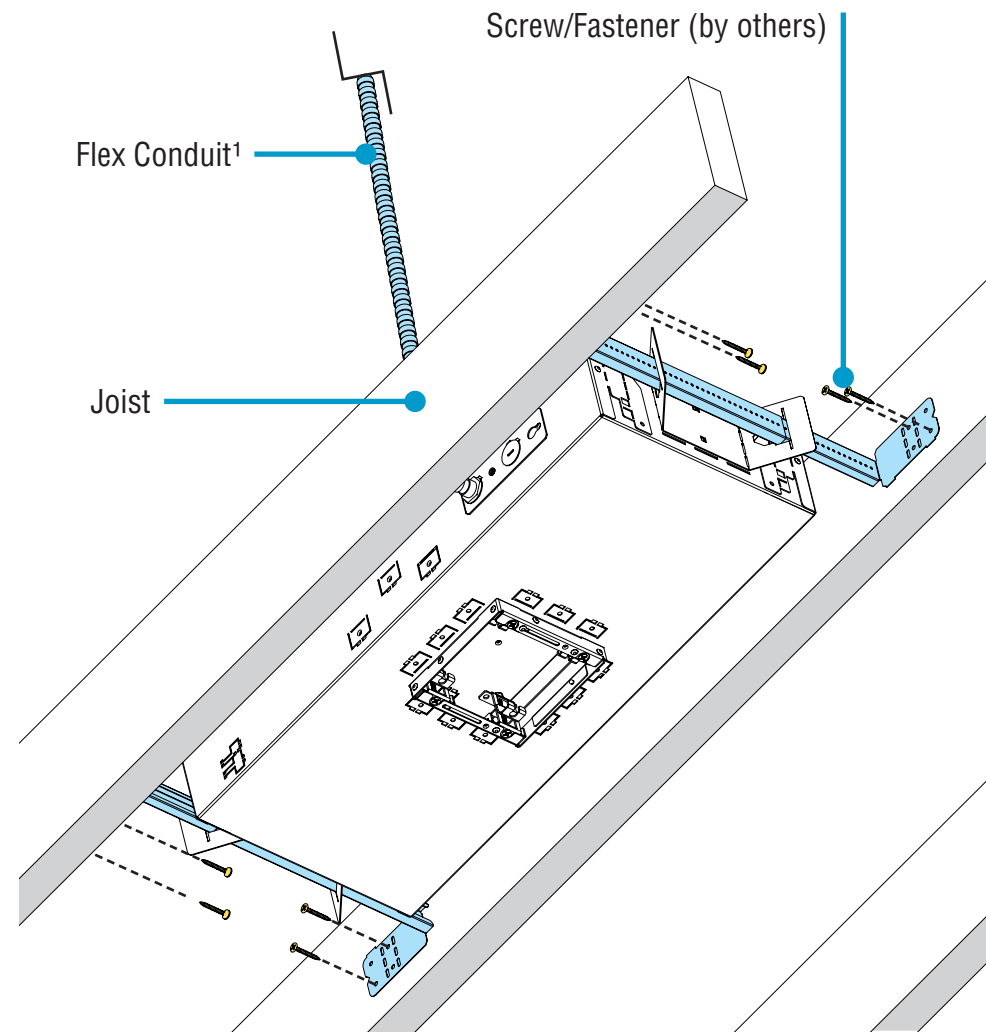
- Emergency to generator/inverter wiring
- Internal generator transfer switch
- Nightlight wiring
- Step-dimming driver
- Backup battery

The Large Capacity PS Box (P02) provides more than one power supply output source. To reduce the risk of electric shock, disconnect both normal and emergency sources within this unit before servicing any equipment connected to this unit.



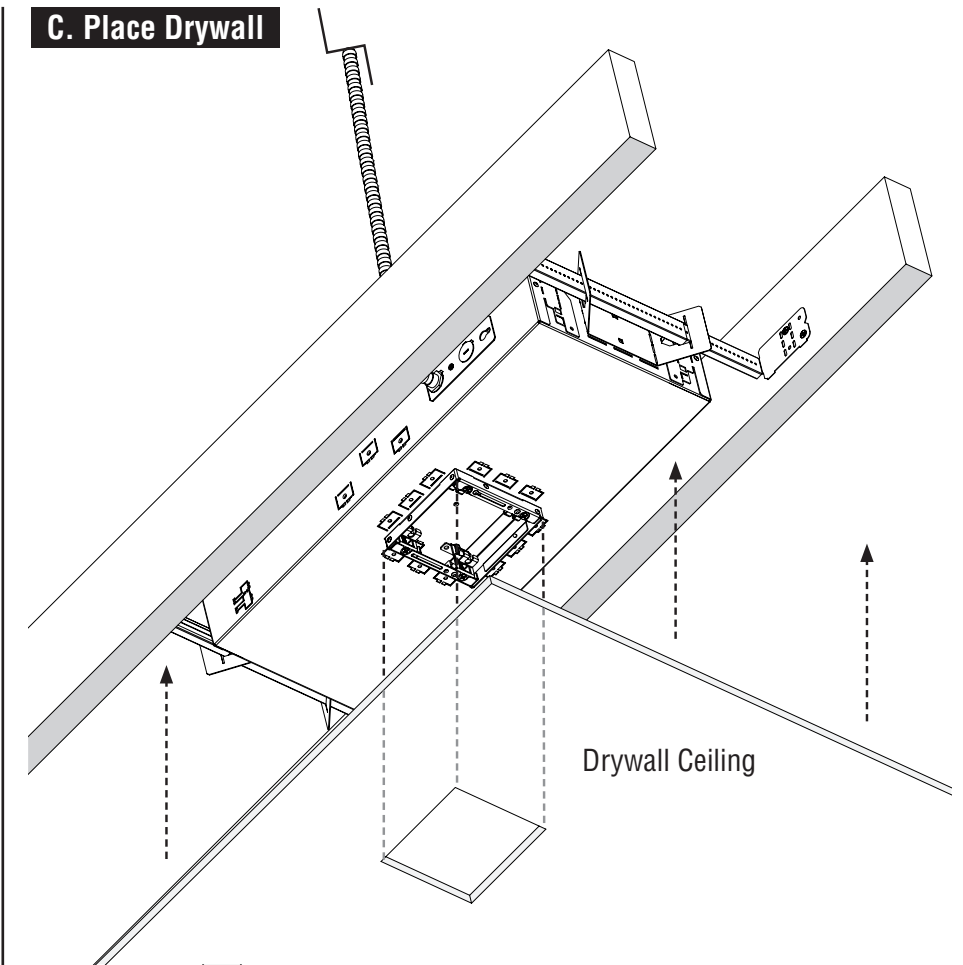
- Locate butterfly bracket affixed to sides of the Large Capacity PS Box and bend each wing at 45°.
- Install drywall bar hanger² by bending one end at 90°.
- Slide flat end through butterfly bracket slots.
- Complete drywall bar hanger installation by bending flat end at 90°.

B. Mount to Joists



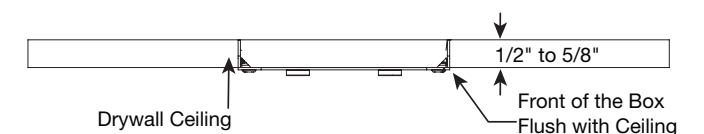
- Secure Large Capacity PS Box to joists using appropriate screws or fasteners, per building code.
- Apply flex conduit¹ to power feed knockout.

C. Place Drywall

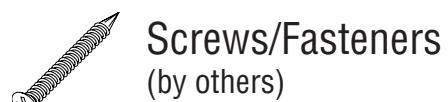


CAUTION

Collar must be flush with bottom of ceiling tile.



- Align collar with rough-in opening in drywall ceiling and place drywall over the PS box.
- Secure drywall to structure, per building code.



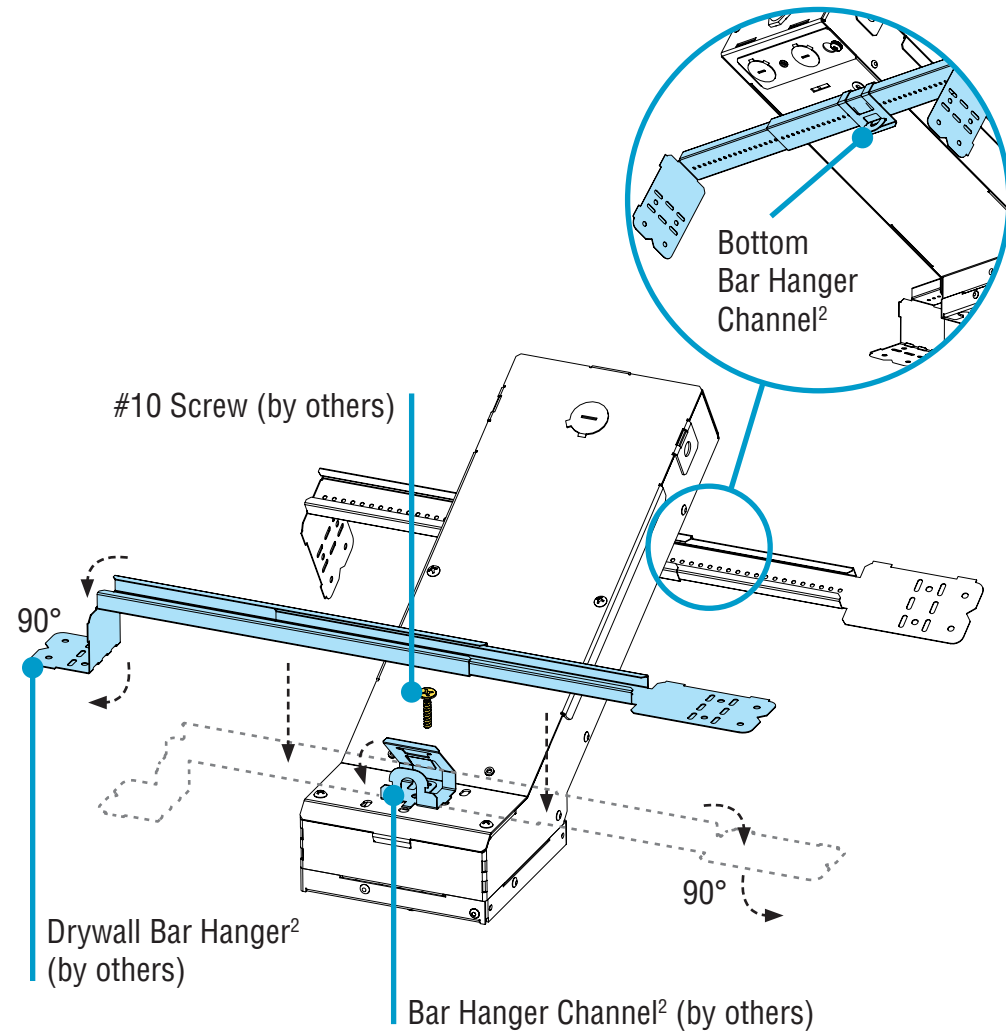
¹ Preferred power feed location shown.
² Part by others but also available from Finelite upon request.

E2 Indirect/Direct Configuration Installation Instructions

Step 2 - Electrical Box Mounting - Drywall

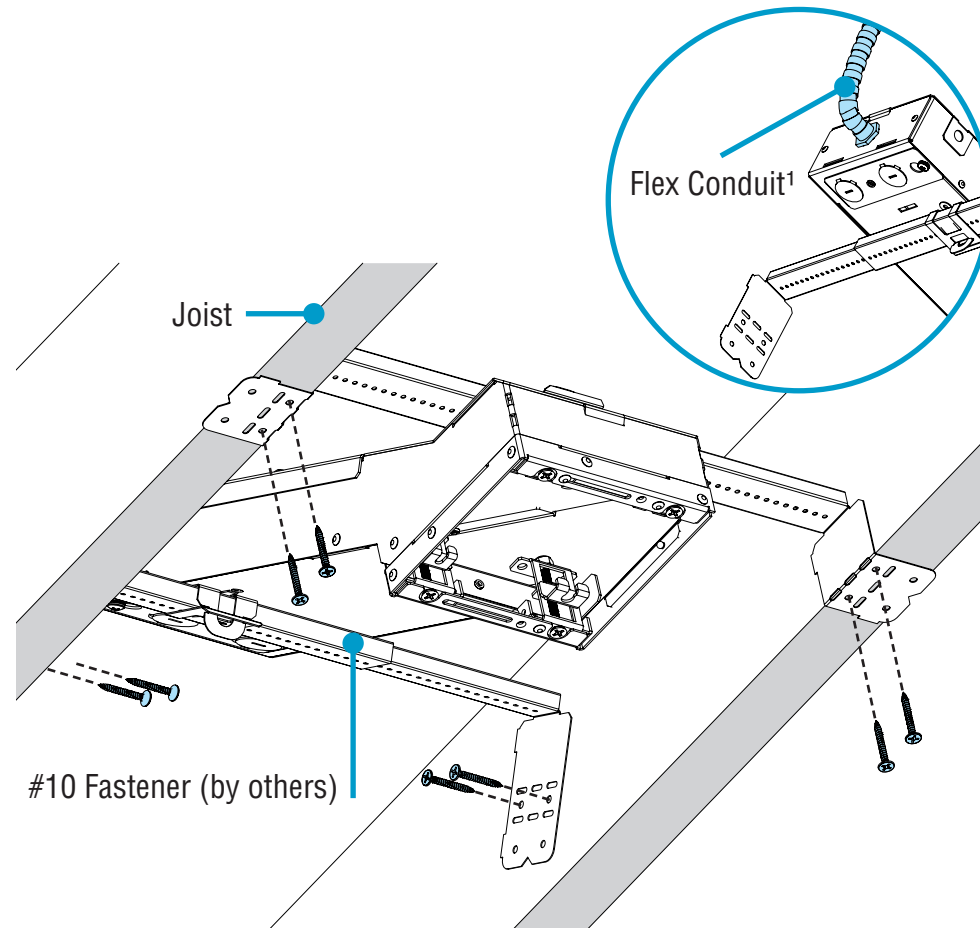
Retrofit Power Supply (PS) Box

A. Install Bar Hanger



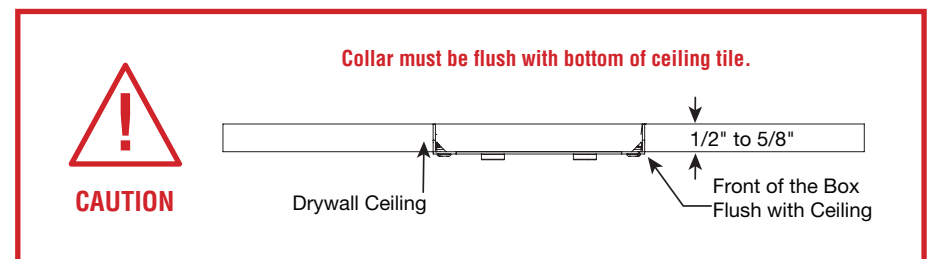
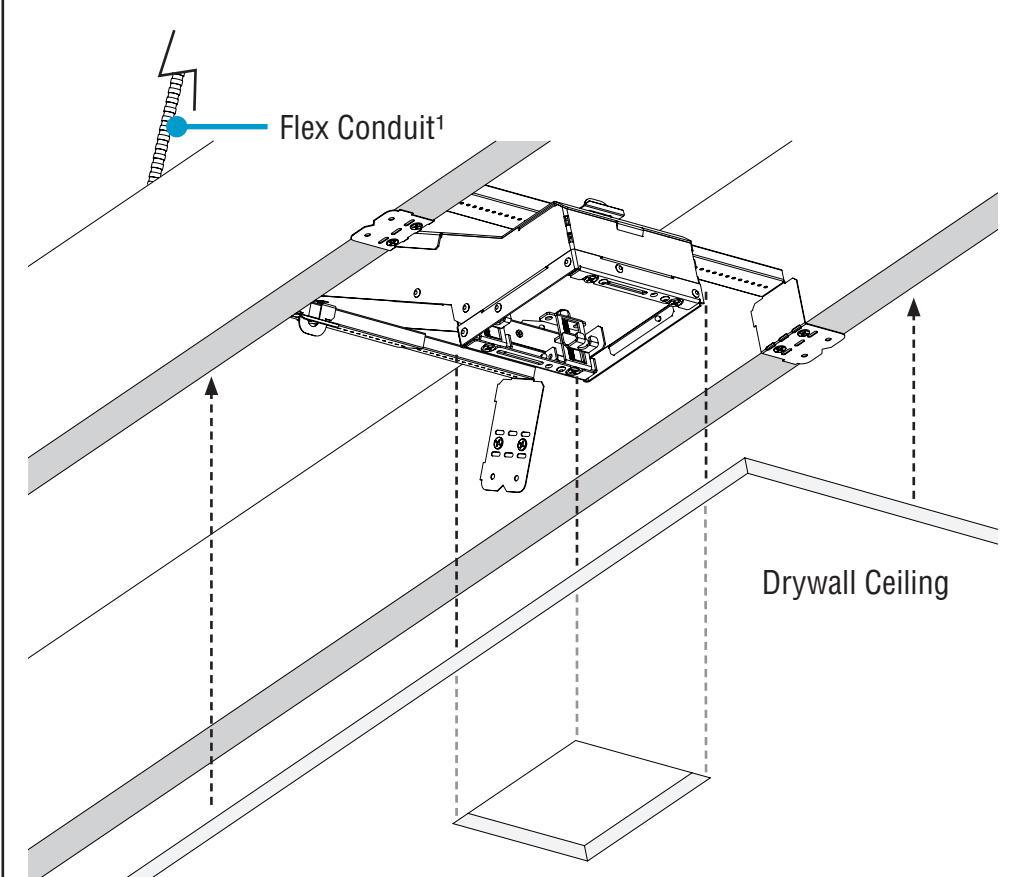
- Install bar hanger channel² onto Retrofit PS box by securing with appropriate #10 screw.
- Install drywall bar hanger² by placing into mouth of bar hanger channel and snap channel closed.
- Bend both ends of drywall bar hanger in alternating 90° step pattern.
- Repeat bar hanger installation for bottom of the Retrofit PS Box.

B. Mount to Joists Bottom-Up View

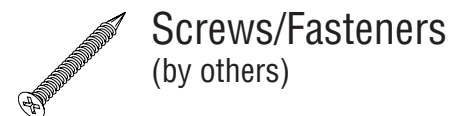
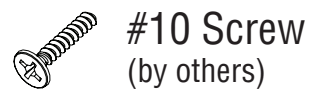


- Secure Retrofit PS box to joists using appropriate screws or fasteners, per building code.
- Apply flex conduit¹ to power feed knockout located at rear of the PS box (preferred power feed location).

C. Place Drywall



- Align rough-in opening in drywall ceiling with collar and place drywall over Retrofit PS Box.
- Secure drywall to structure, per building code.



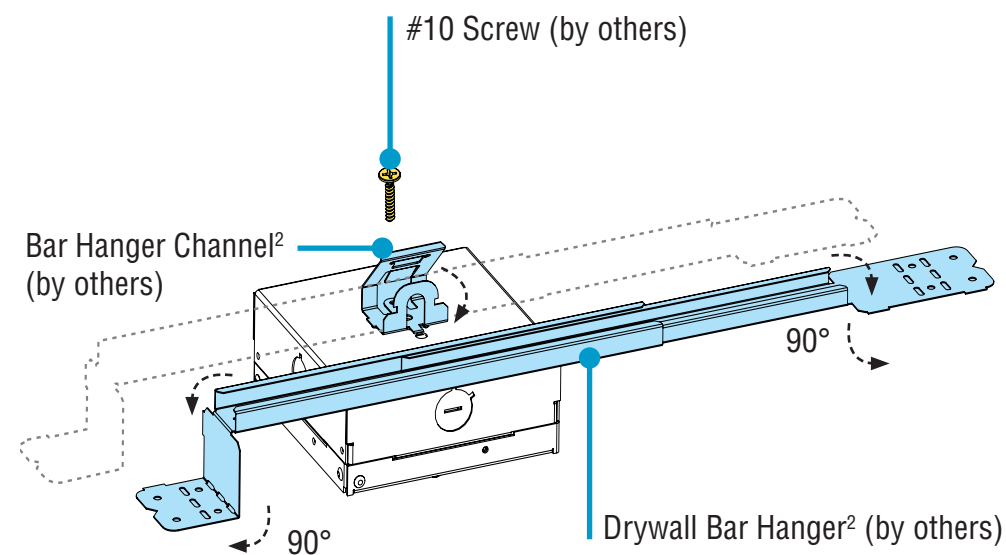
¹ Preferred power feed location shown.
² Part by others but also available from Finelite upon request.

E2 Indirect/Direct Configuration Installation Instructions

Step 2 - Electrical Box Mounting - Drywall


Splice Box

A. Install Bar Hanger




- Install bar hanger channel² onto Splice Box by securing with appropriate #10 screw.
 - Install drywall bar hanger² by placing into mouth of bar hanger channel and snap channel closed.
 - Bend both ends of drywall bar in alternating 90° step pattern.
- For splice box with remote power supply, refer to page 13.**

 #10 Screw
(by others)

 Screws/Fasteners
(by others)

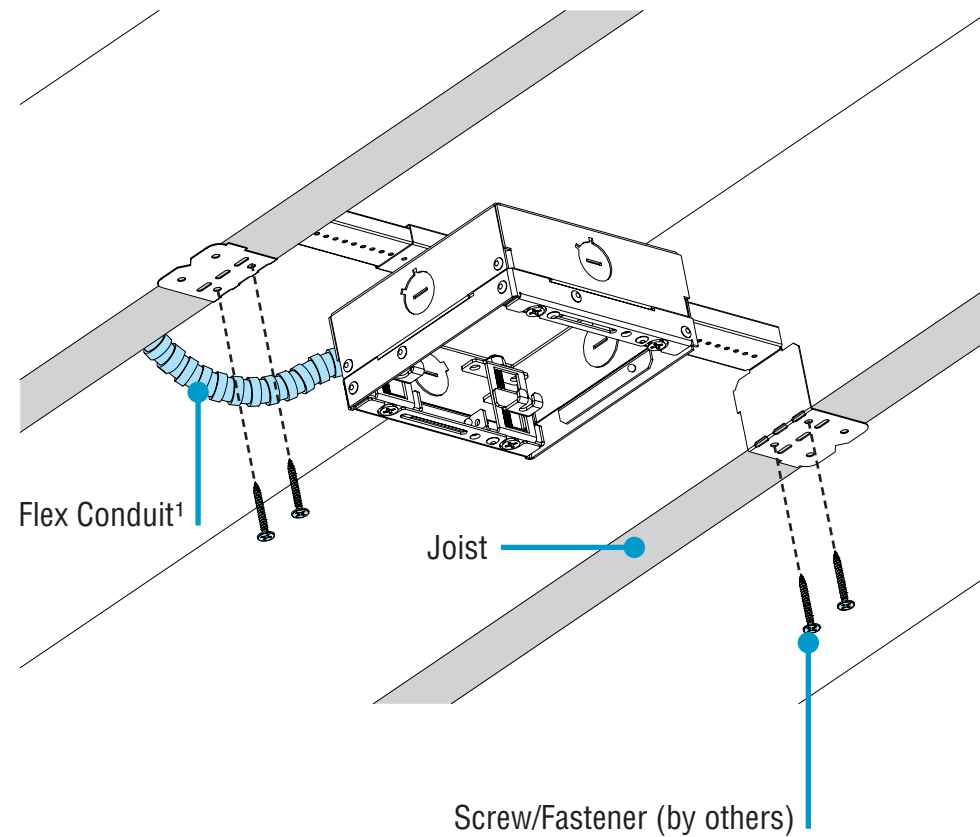
 Bar Hanger Channel²
(by others)

 Drywall Bar Hanger²
(by others)

 Flex Conduit
(by others)

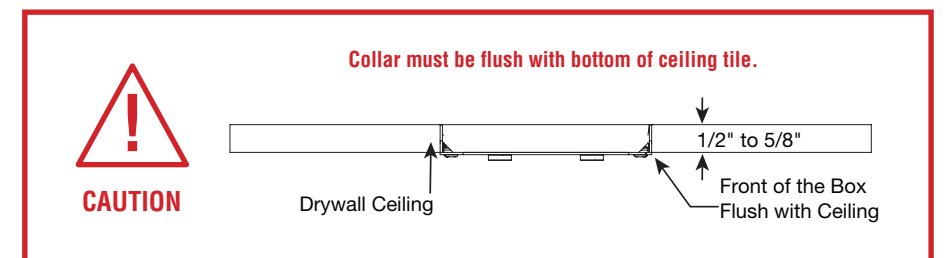
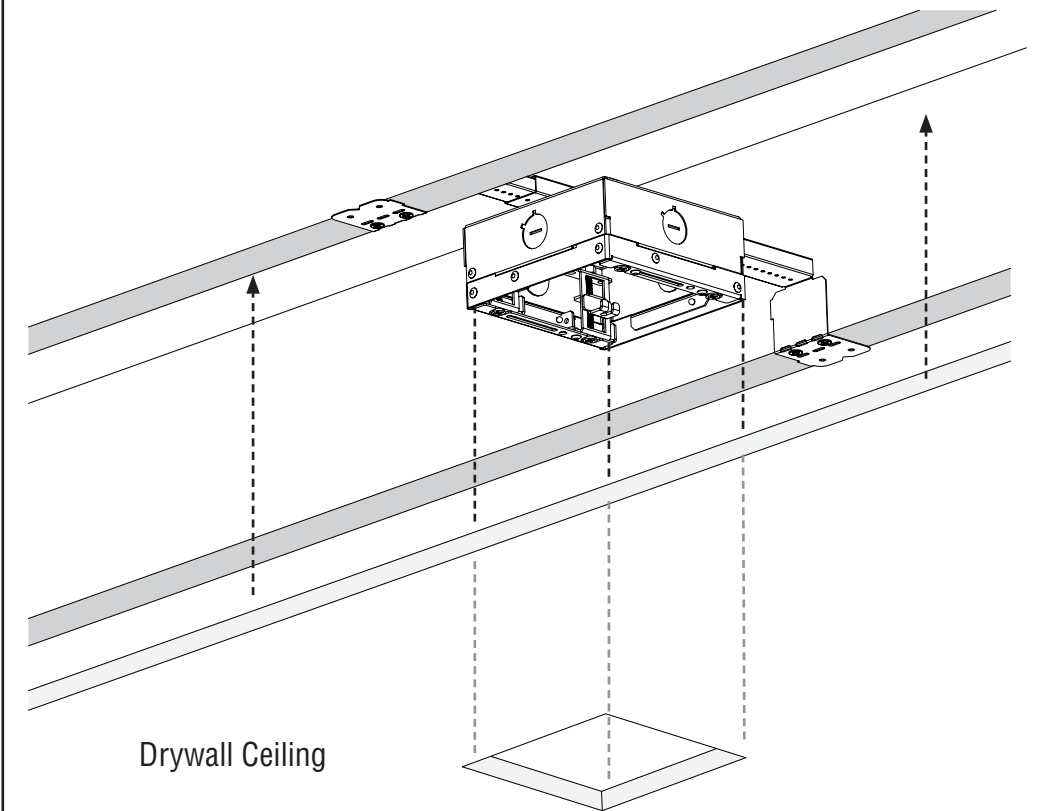
¹ Preferred power feed location shown.
² Part by others but also available from Finelite upon request.

B. Mount to Joists Bottom-up View



- Secure splice box to joists using appropriate screw or fasteners, per building code.
- Apply flex conduit¹ to power feed knockout.

C. Place Drywall



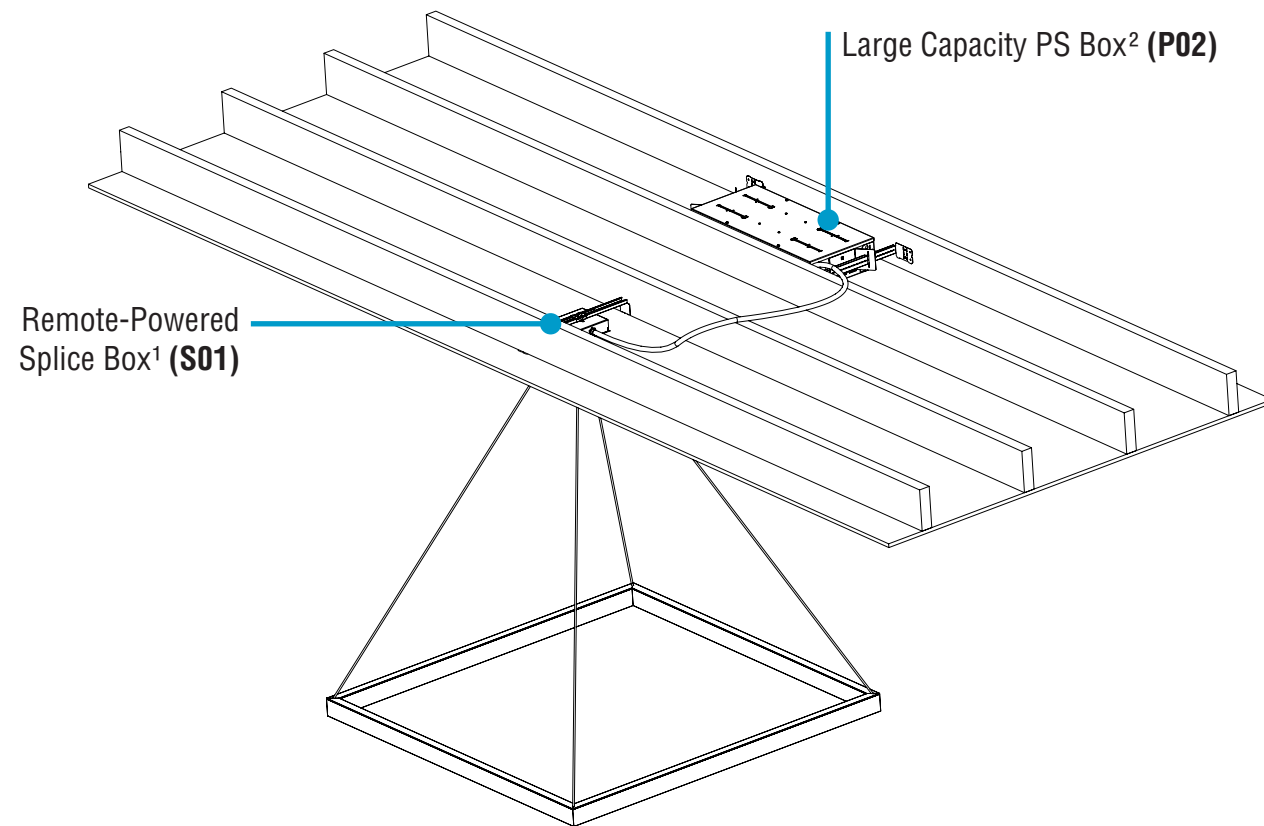
- Align rough-in opening in drywall ceiling with collar and place drywall over splice box.
- Secure drywall to structure, per building code.

E2 Indirect/Direct Configuration Installation Instructions

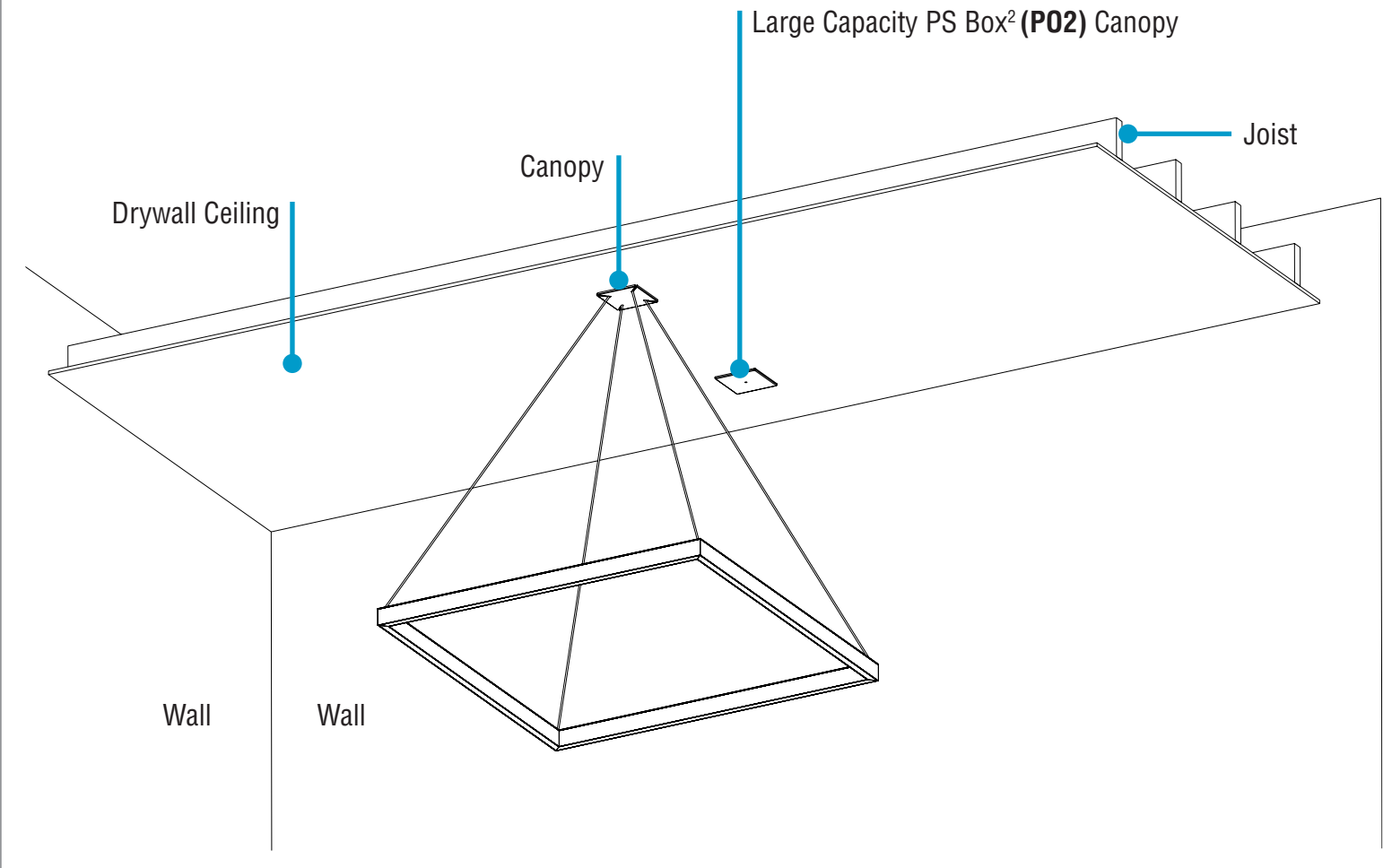
Optional - Remote Power Supply (PS) - Drywall

Large Capacity PS Box with Splice Box Installation

Overview Top-Down View



Bottom-Up View



NOTE: To reduce EMI, use shortest length wires appropriate for your application and shielded wire or metallic conduit.

Wire Gauge ³ (AWG)	Distance ⁴ (ft.)	Pendant Feed Cable (in.)
12	85	50
	81	100
	77	150
14	52	50
	47	100
	43	150
18	17	50
	13	100
	9	150

For luminaire configurations with any of the following:



CAUTION

- Emergency to generator/inverter wiring
- Internal generator transfer switch
- Nightlight wiring
- Step-dimming driver
- Backup battery

The Large Capacity PS Box (P02) provides **more than one** power supply output source. To reduce the risk of electric shock, disconnect **both** normal and emergency sources within this unit before servicing any equipment connected to this unit.

¹ For splice box drywall installation, see page 12.

³ Wire gauge for minimum loss from power box to non-power box.

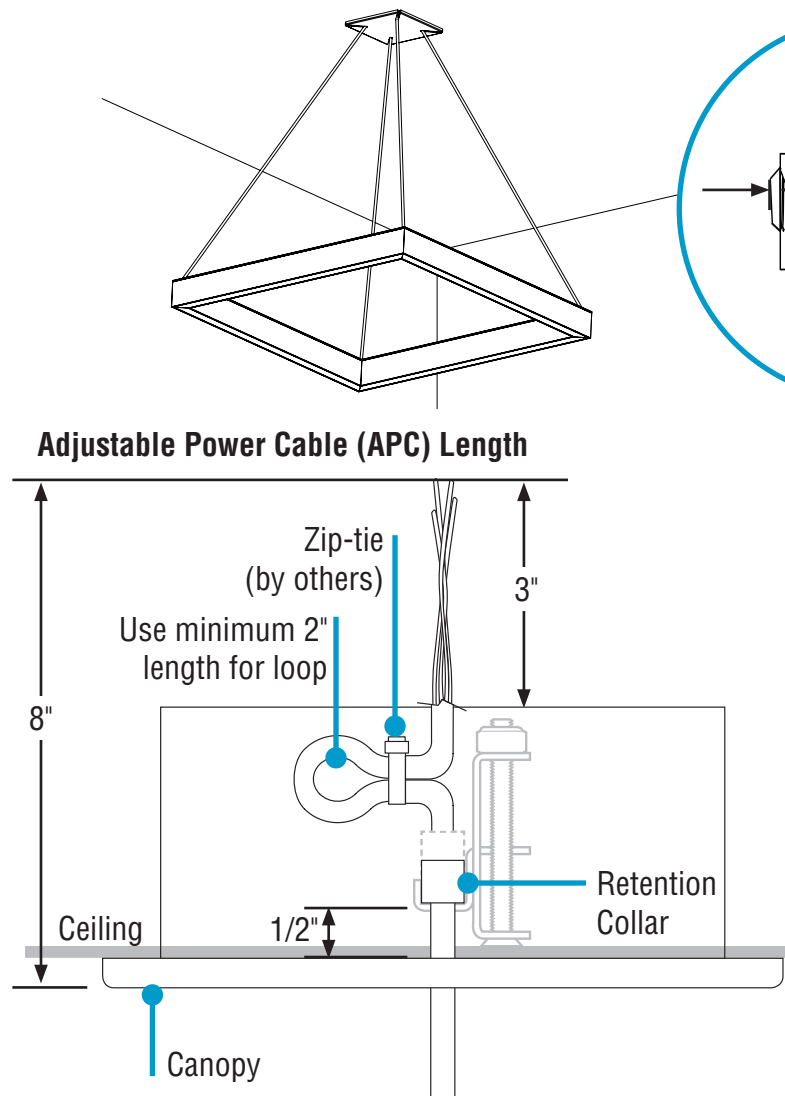
² For Large Capacity PS Box drywall installation, see page 10.

⁴ Maximum distance from power box to non-power box.

E2 Indirect/Direct Configuration Installation Instructions

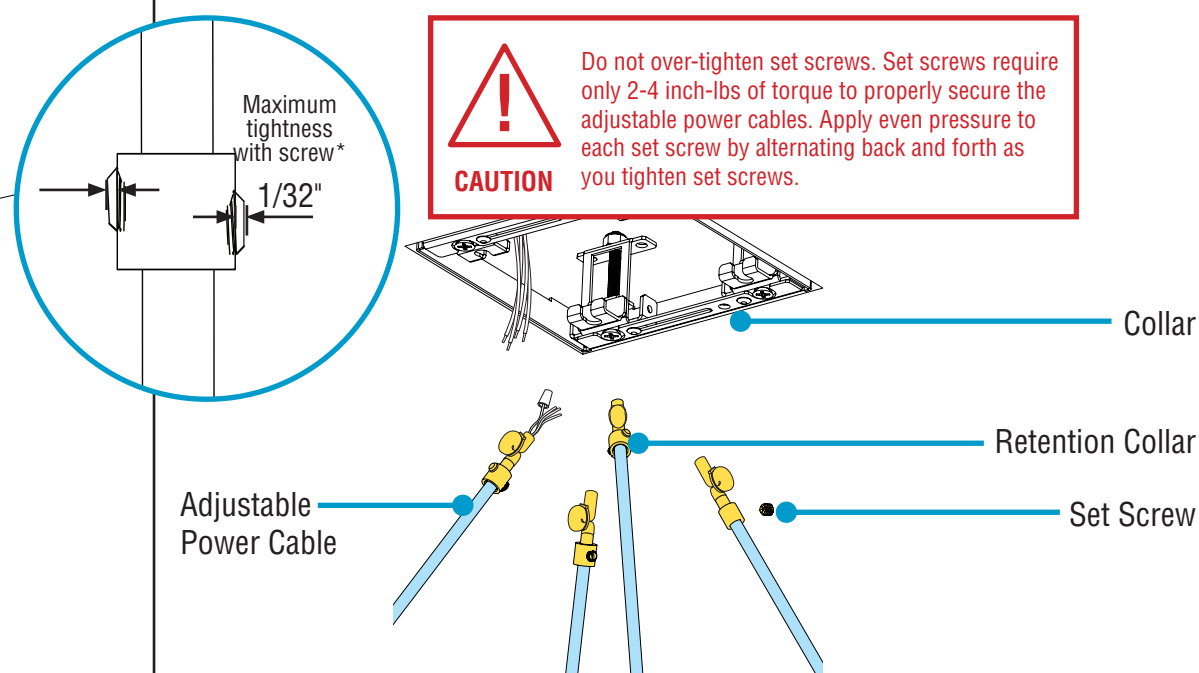
Step 3 - Mounting Luminaire Assembly

Overview

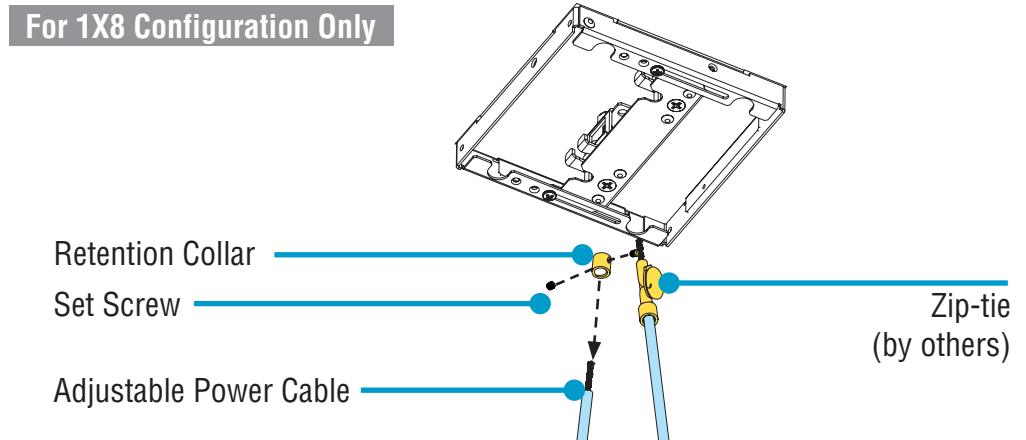


- Cut APC a minimum 8" longer than desired suspension length.
- Strip 3" of cable sheathing.
- Create a minimum 2" loop with zip-tie (by others)
- Place retention collar a minimum 1/2" from end of sheathing.

A. Connect Power Cables Bottom-up View

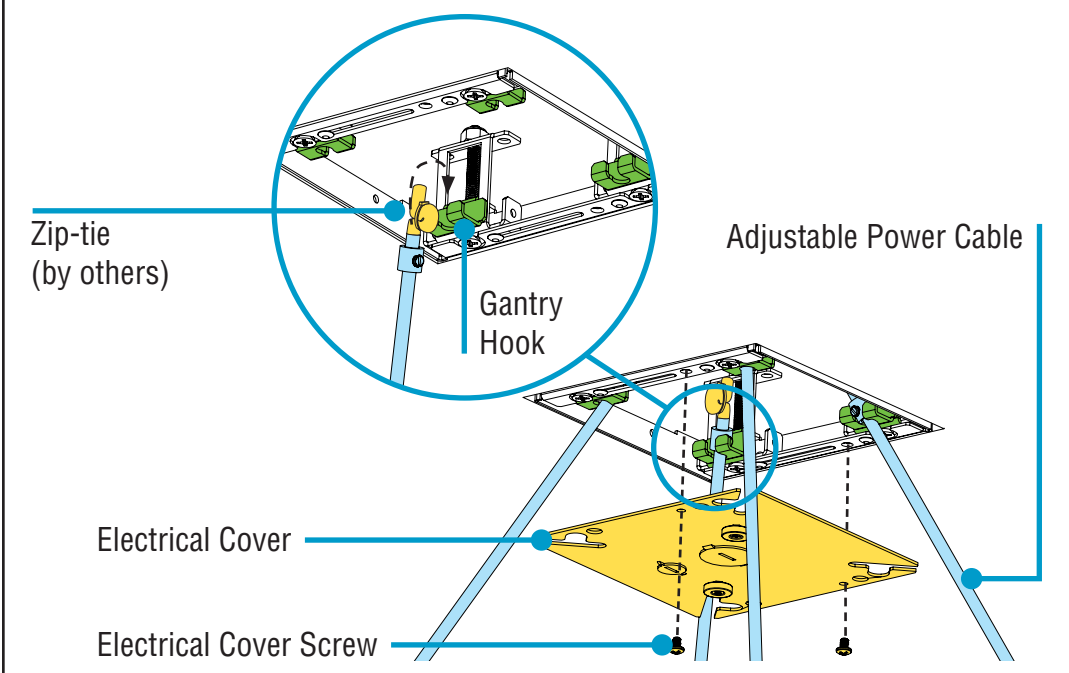


For 1X8 Configuration Only

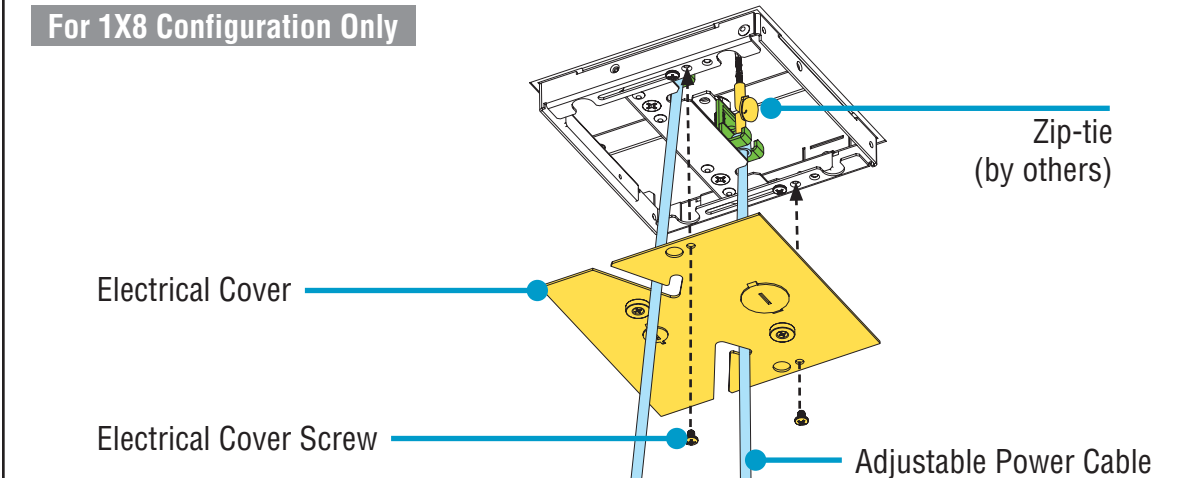


- Remove the retention collars from adjustable power cables.
- Replace retention collars onto adjustable power cables and secure with 2 set screws.
- **CAUTION:** Do not over-tighten set screws. Set screws require only 2-4 inch-lbs of torque to properly secure the adjustable power cables.

B. Replace Electrical Cover




For 1X8 Configuration Only



- Hang adjustable power cables onto each gantry hook.
- Replace electrical cover over collar with the two electrical cover screws.

 Retention Collar
(provided)

 Set Screw
#10-32 x 3/16" (provided)

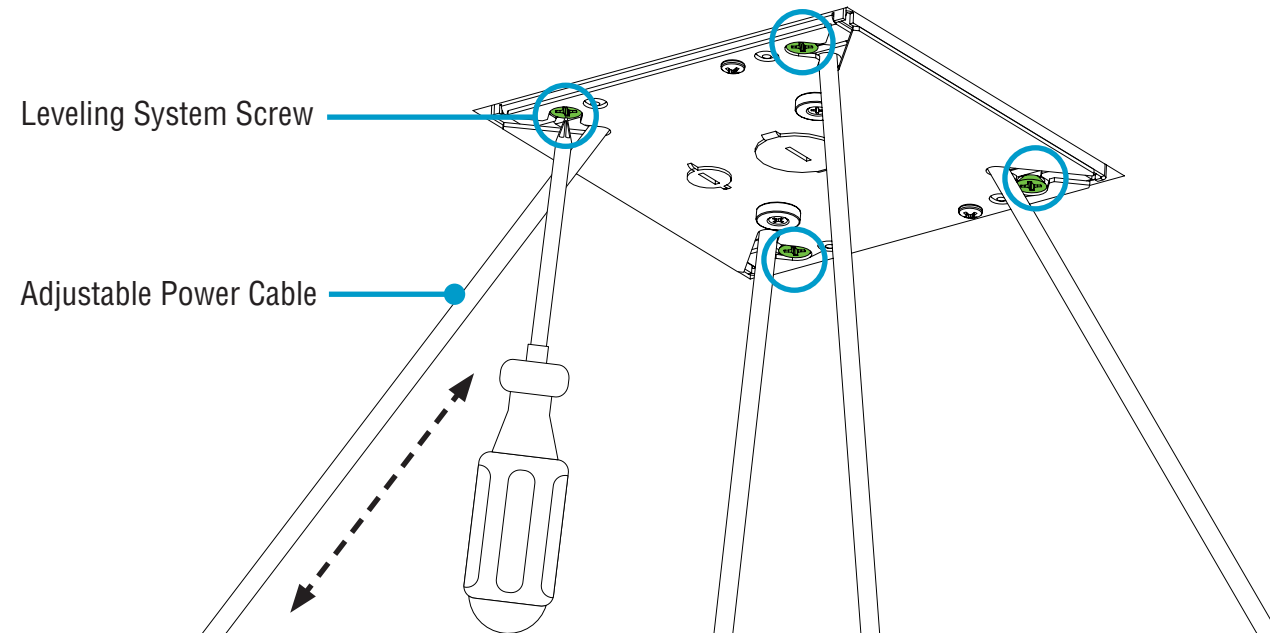
 Electrical Cover Screws
#6-32 x 3/16" (provided)

* Alteration tightening the set screws to insure even pressure

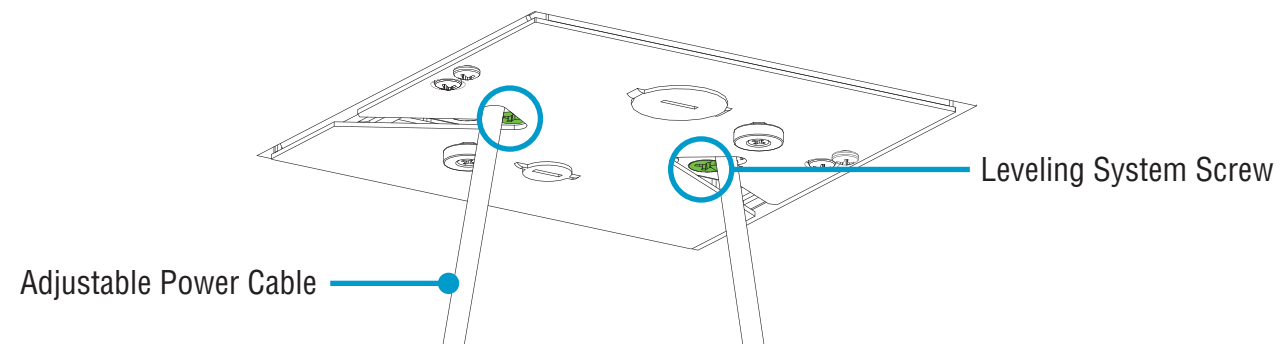
E2 Indirect/Direct Configuration Installation Instructions

Step 4 - Luminaire Leveling & Closure

A. Level Luminaire Bottom-Up View

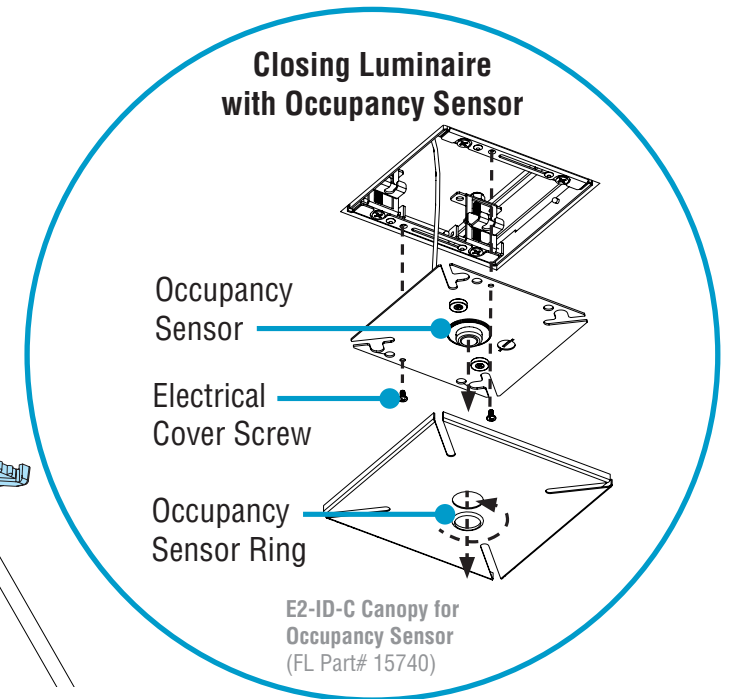
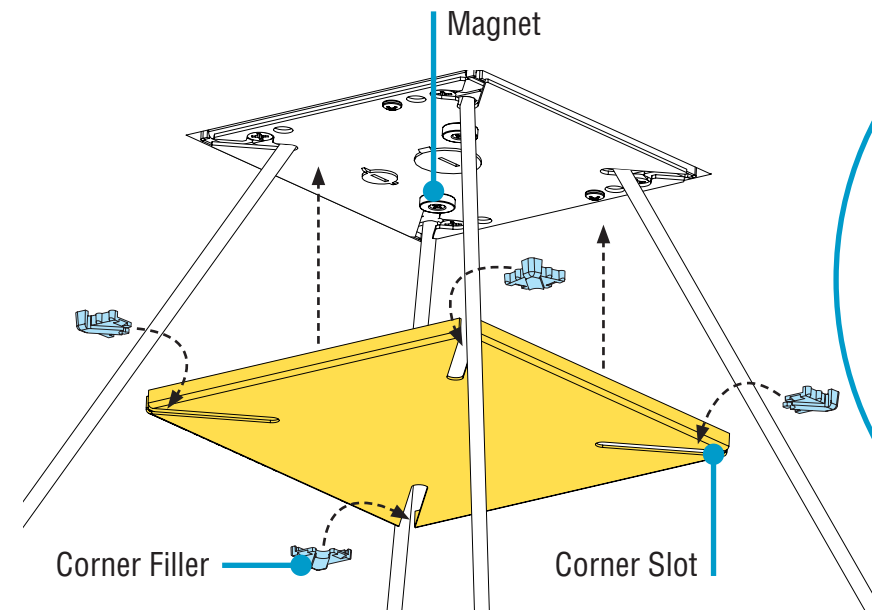


For 1X8 Configuration Only

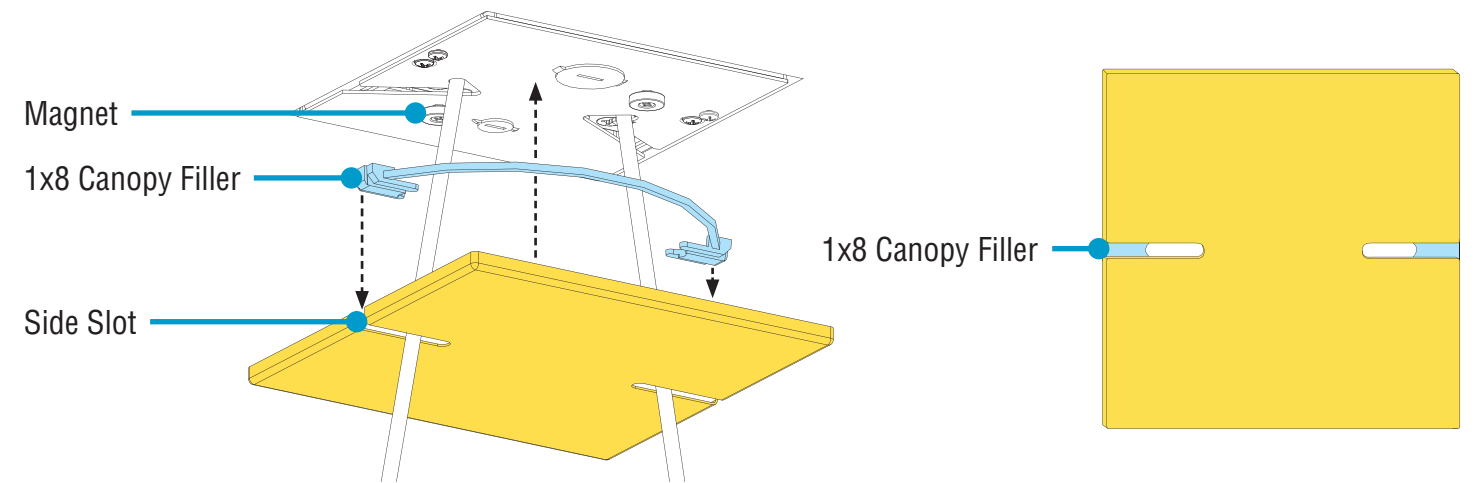


- Using a screwdriver, turn screws to adjust luminaire to desired height.
- Turn screw counterclockwise to raise, turn clockwise to lower.
- **NOTE:** Maximum of 1" leveling adjustment.

B. Final Step - Replace Canopy

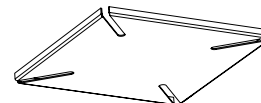


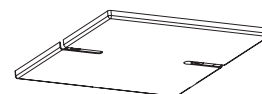
For 1X8 Configuration Only




- Place fillers in slots.
- Snap canopy back into place using magnets found on electrical cover.
- Turn power on to luminaire.

 **Electrical Cover Screws**
#6-32 x 3/16" (provided)

 **Canopy**
(provided)

 **1X8 Canopy**
(provided)

 **Corner Filler**
(provided)

 **1x8 Canopy Filler**
(provided)



Leveling System