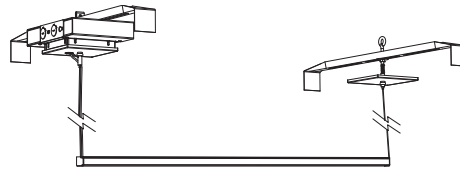


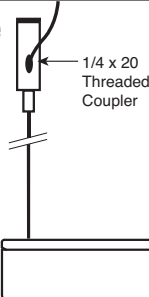
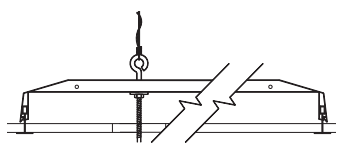
# Mounting and Feed Guide

## E1 LED Indirect - Linear




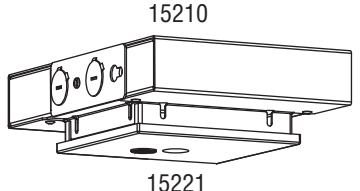


**FINELITE**  
Better Lighting

Customer: \_\_\_\_\_ Job: \_\_\_\_\_ PO: \_\_\_\_\_

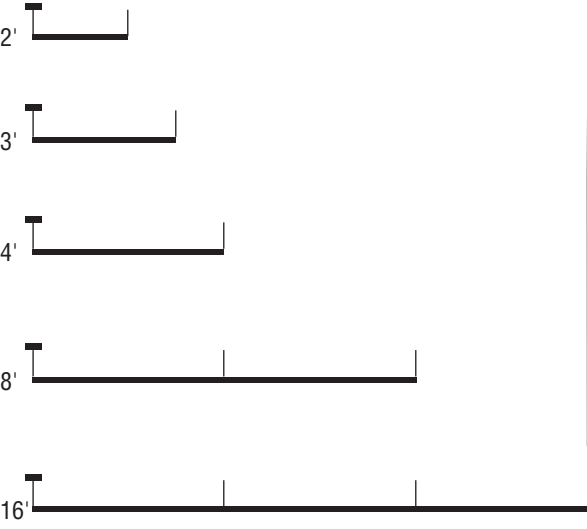
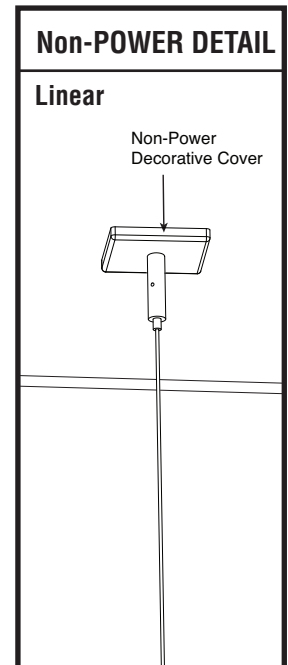
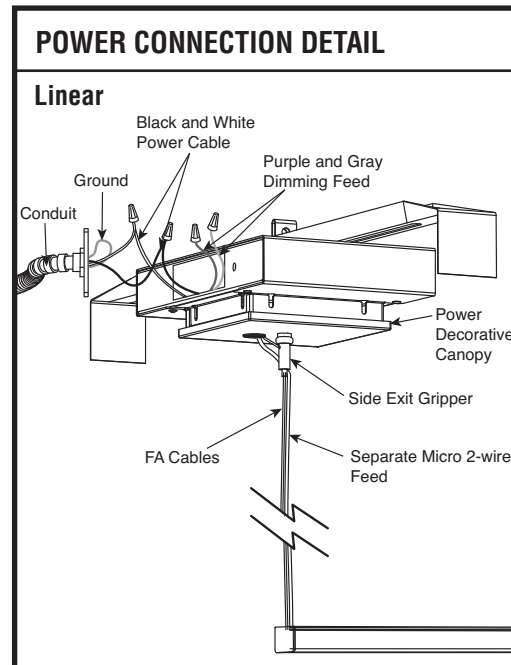
SUSPENSION TYPE	CANOPY TYPE	MOUNTING HARDWARE
<input type="checkbox"/> <b>Linear Fully Adjustable</b> 1/4 X 20 threaded coupler <input type="checkbox"/> <b>50" - Standard</b> 89512 <input type="checkbox"/> 100" - 89153 <input type="checkbox"/> 150" - 89514 <input type="checkbox"/> Custom <input type="text"/> 	<input type="checkbox"/> <b>Power Support</b> <input type="checkbox"/> <b>4" Square Feed Canopy (Standard)</b> 89195  <input type="checkbox"/> <b>Non-Power Support</b> <input type="checkbox"/> <b>2" Square Non-Feed Canopy (Standard)</b> 89196	<input type="checkbox"/> <b>Caddy 512 HD Between T-Bar Supports*</b> 89316  

\* Additional cost

<input type="checkbox"/> <b>On-Grid 1" T-Bar Support</b> 89300   <p><b>C1</b></p>	<input type="checkbox"/> <b>On-Grid 9/16" T-Bar Support</b> 89305   <p><b>C2</b></p>	<input type="checkbox"/> <b>On-Grid 9/16" Screw Slot T-Bar Support</b> 89310   <p><b>C3</b></p>	<input type="checkbox"/> <b>Hard Ceiling Mounting Option</b> 15210 & 15221 (canopy)   <p><b>C4</b></p>
--	---	--	---

### FIXTURE LENGTHS & SUPPORT LOCATIONS

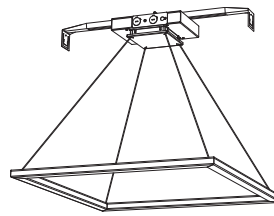
Standard 2', 3', and 4' section lengths can be combined to make longer runs. 8' length requires three suspension points. Runs require a suspension point every 4'. Contact factory for independent 2' sections.

Consult Finelite Customer Service for pricing on all options.

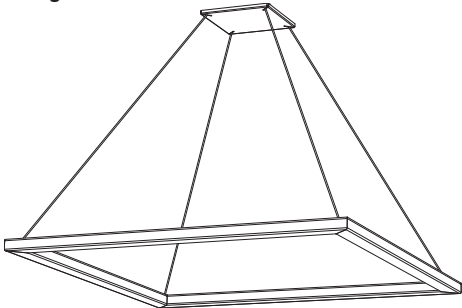
# Mounting and Feed Guide

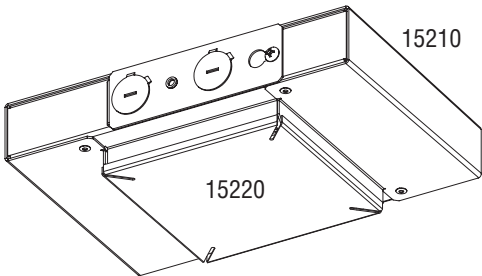
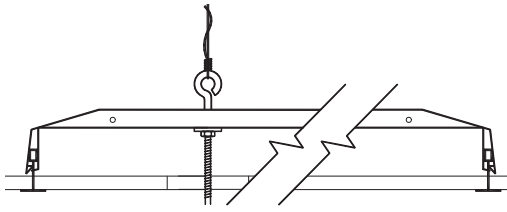
## E1 LED Indirect - Configuration

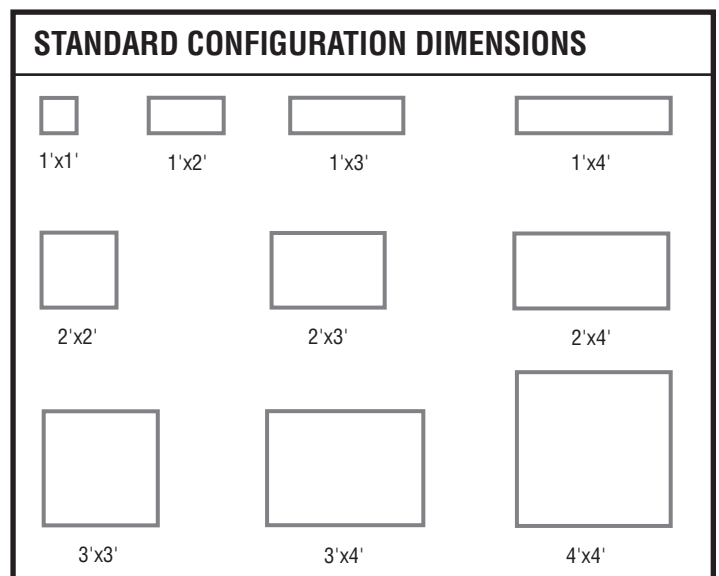
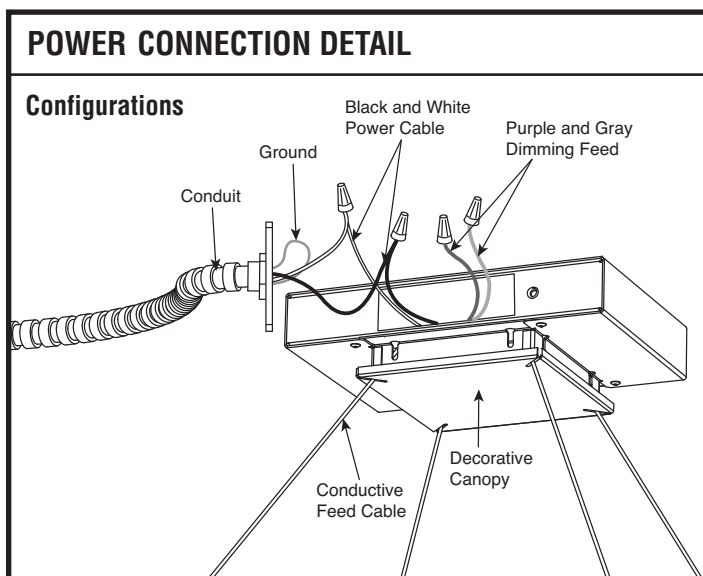


**FINELITE**  
Better Lighting

Customer: \_\_\_\_\_ Job: \_\_\_\_\_ PO: \_\_\_\_\_

CEILING TYPE	SUSPENSION LENGTHS	
<input type="checkbox"/> T-Bar Ceiling (C4)  <input type="checkbox"/> Sheetrock Ceiling (C4)	<input type="checkbox"/> Configurations  	<p><b>1x1, 1x2, 1x3, 1x4, 2x2</b></p> <input type="checkbox"/> 15" <input type="checkbox"/> 18" Standard <input type="checkbox"/> 24" <input type="checkbox"/> Custom <input type="text"/>  <p><b>2x3, 2x4, 3x3, 3x4, 4x4</b></p> <input type="checkbox"/> 18" <input type="checkbox"/> 24" Standard <input type="checkbox"/> 36" <input type="checkbox"/> Custom <input type="text"/>

MOUNTING HARDWARE	
<input type="checkbox"/> <b>Recessed Chassis</b> (power & suspension) Bar hangers by others 15210 & 15220 (canopy)  	<input type="checkbox"/> <b>Caddy 512 HD Between T-Bar Supports*</b> 89316   * Additional cost



Consult Finelite Customer Service for pricing on all options.