

# HPX Recessed T-Bar Installation Instructions

## Overview

### NOTES

- If luminaire contains a sensor or socket refer to the appropriate Addendum.
- All power connections should be installed according to local/national codes by a Certified Electrician.
- This installation requires **proper support** as each luminaire is being installed.
- **DO NOT attempt to join luminaires together on the floor.** Damage may result when lifted.



HELPFUL  
VIDEOS



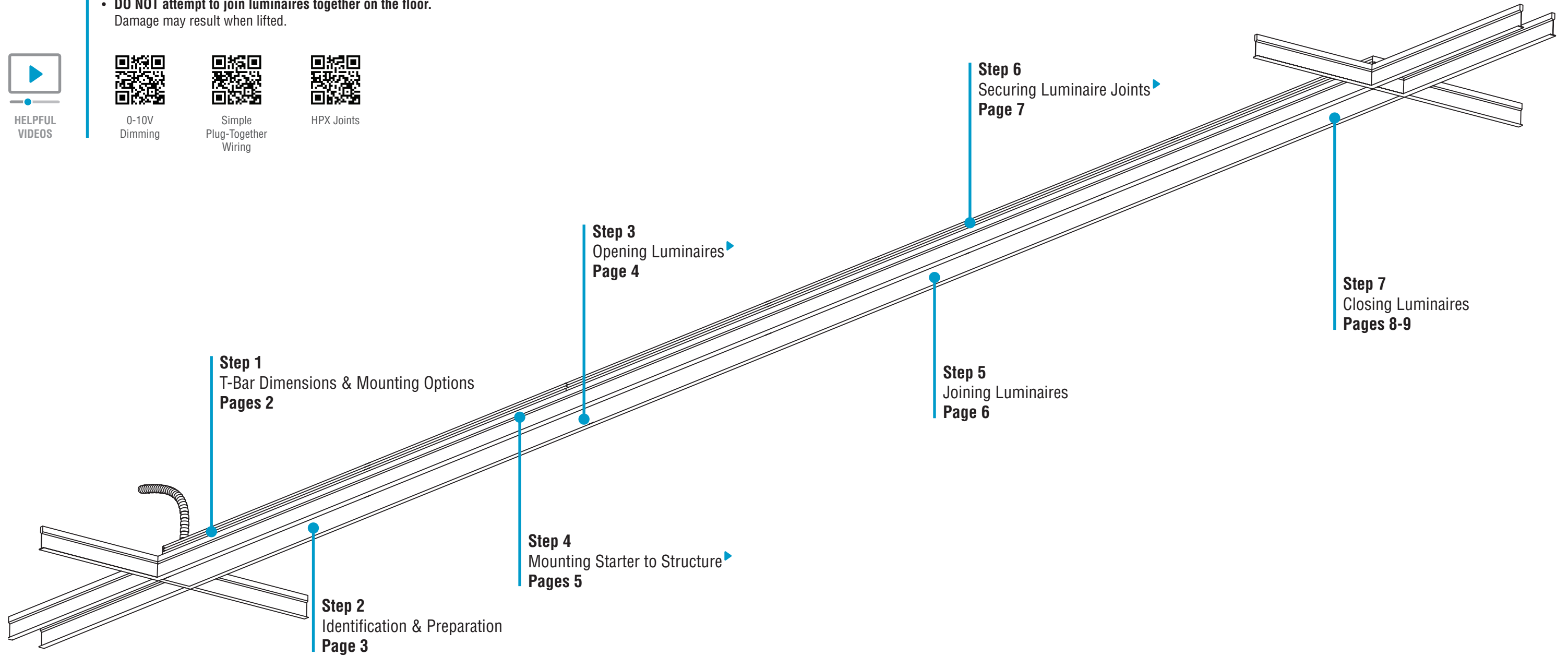
0-10V  
Dimming



Simple  
Plug-Together  
Wiring



HPX Joints



**Step 1**  
T-Bar Dimensions & Mounting Options  
Pages 2

**Step 2**  
Identification & Preparation  
Page 3

**Step 4**  
Mounting Starter to Structure  
Pages 5

**Step 3**  
Opening Luminaires  
Page 4

**Step 5**  
Joining Luminaires  
Page 6

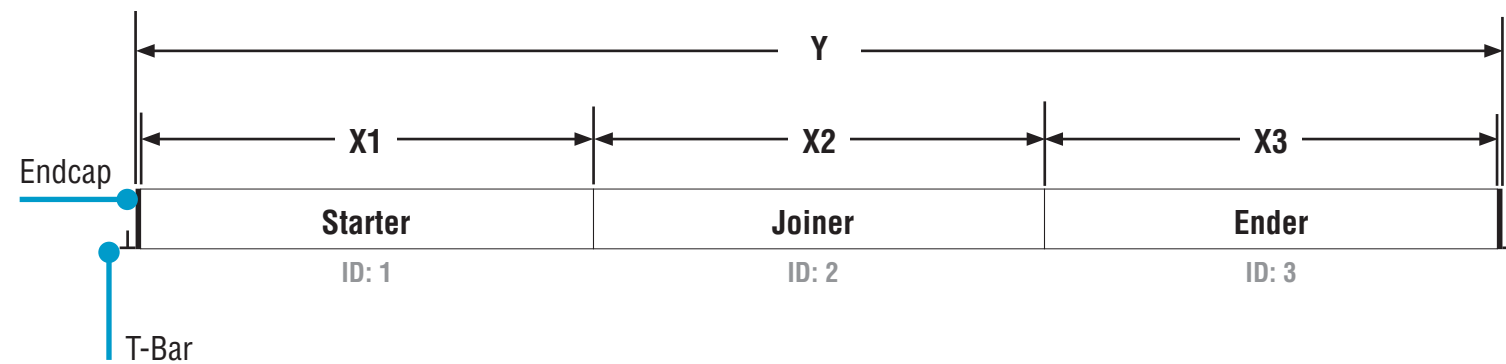
**Step 6**  
Securing Luminaire Joints  
Page 7

**Step 7**  
Closing Luminaires  
Pages 8-9

# HPX Recessed T-Bar Installation Instructions

## Step 1 - T-Bar Dimensions & Mounting Options

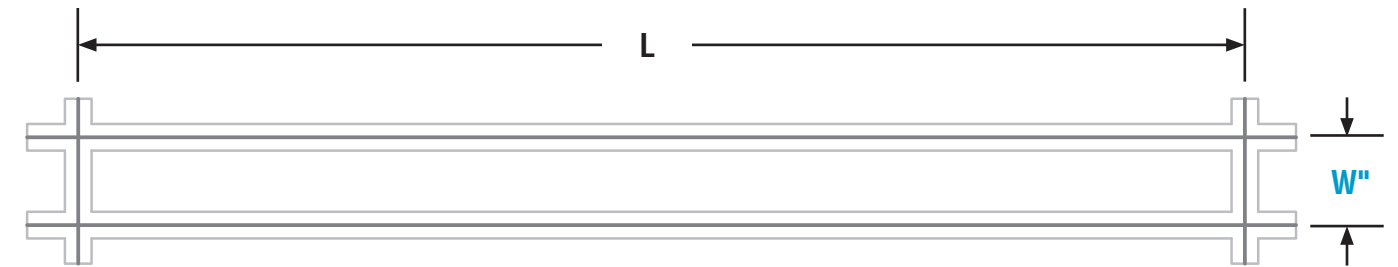
### Total Run Length



**X** = Luminaire section length (**Does not include** endcaps)  
**Y** = Total run length of luminaire (**Includes** 1/8" for **BOTH** endcaps)  
**Endcap** = 1/16"

Refer to Record Drawings and building plans to determine exact mounting, suspension points, and power feed locations.

### T-Bar Build Dimensions



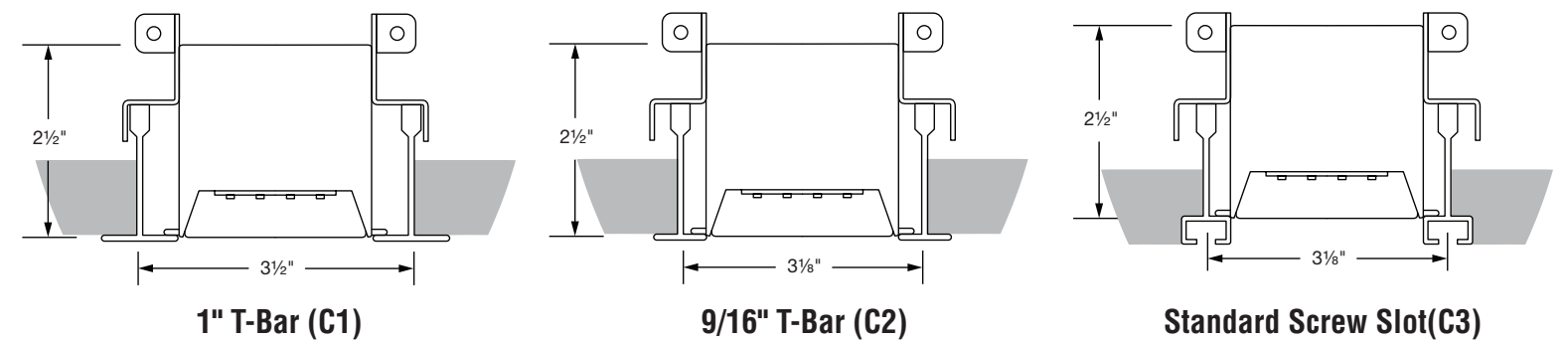
	<b>L = Total Run T-Bar Length</b>
HPX	Y + 1"

**W** = T-Bar Width

Center to center of T-Bar. Tolerance: +/- 1/16"

Construct T-Bar ceiling for luminaire placement based on length and width dimensions per diagram.

### Mounting Options & T-Bar Width



- Note: Only for standard 2x4 or 2x2 T-Bar ceiling, the starter luminaire is purposefully short by 1-1/8" to ensure fit in T-Bar types, shown above.
- The luminaire endcaps and end flanges cover any gaps to ensure smooth flush appearance at the ends.

# HPX Recessed T-Bar Installation Instructions

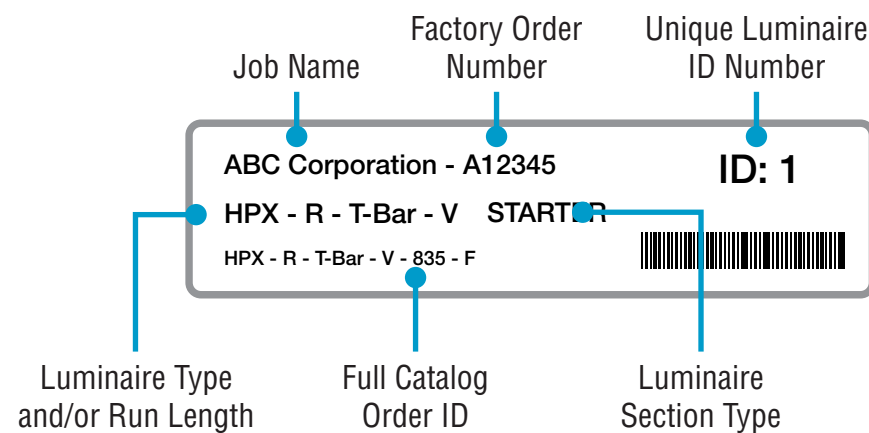
## Step 2 - Identification & Preparation

### A. Identify Luminaires



**CAUTION**

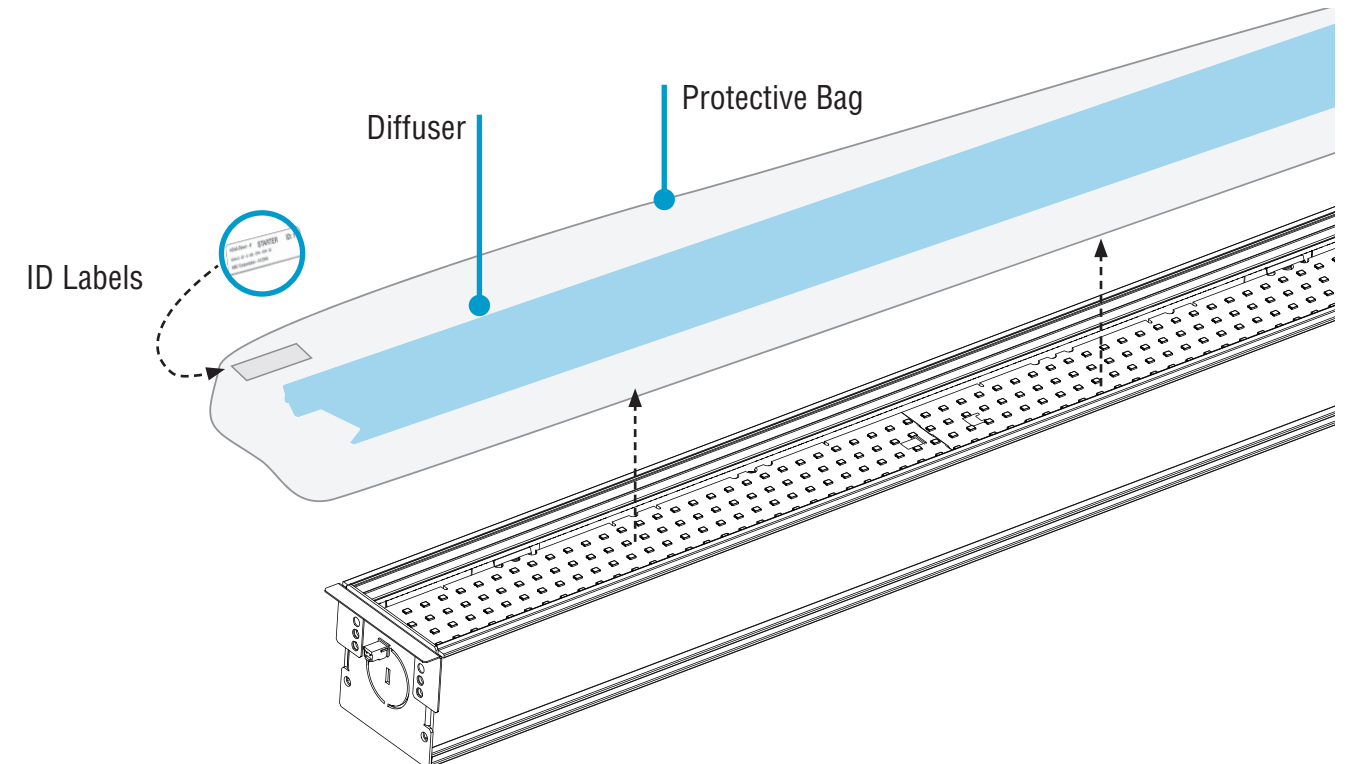
Arrange luminaires in order according to ID# at their install locations.



- Identify all luminaires by their ID label that can be found on the box, on the diffuser, and inside the luminaire.
- **NOTE:** Exact location of labels in these areas may vary.
- Remove all luminaires from their box.
- Refer to Record Drawings that can be found in the hardware kit.

### B. Remove Diffusers

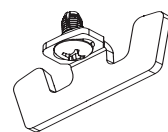
Remove Diffusers



- Carefully remove all diffusers, keeping them inside their protective bags.
- Set aside all diffusers to prevent from getting dirty or damaged.
- Ensure diffusers can be clearly identified back to their corresponding luminaire.

### Kitted Hardware

- Finelite has provided items listed here, with their Finelite part numbers. These items can be found in separate boxes shipped with the luminaire.
- Account for all parts and set aside until they are needed.
- All other hardware needed for this installation will be by others.



**Yoke Bracket**  
Part# 30007

**Washer**  
Part# 94111

**#10-32 x 5/8" Screw**  
Part# 94144  
Securing Luminaire Joints  
p. 7, Step 6



**#8-18 x 1/4" Screws**  
Part# 69026  
Mounting Starter to Structure  
p. 8, Step 7



**#6 Self-Drilling Screw**  
Part# 94054  
Mounting Starter to Structure  
p. 8, Step 7

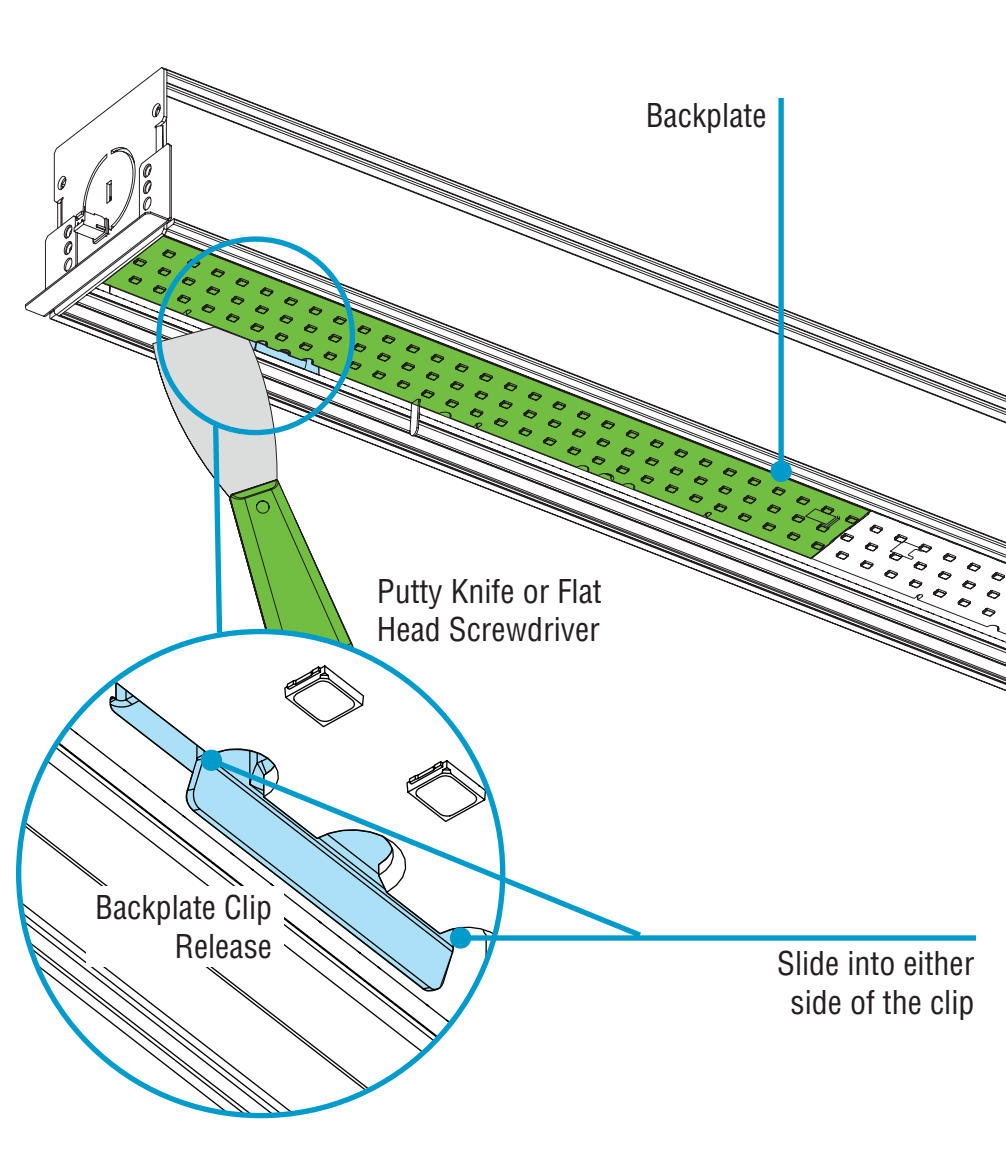


**T-Bar Bracket (C1, C2, C3)**  
Part# 30170  
Mounting Starter to Structure  
p. 7, Step 6

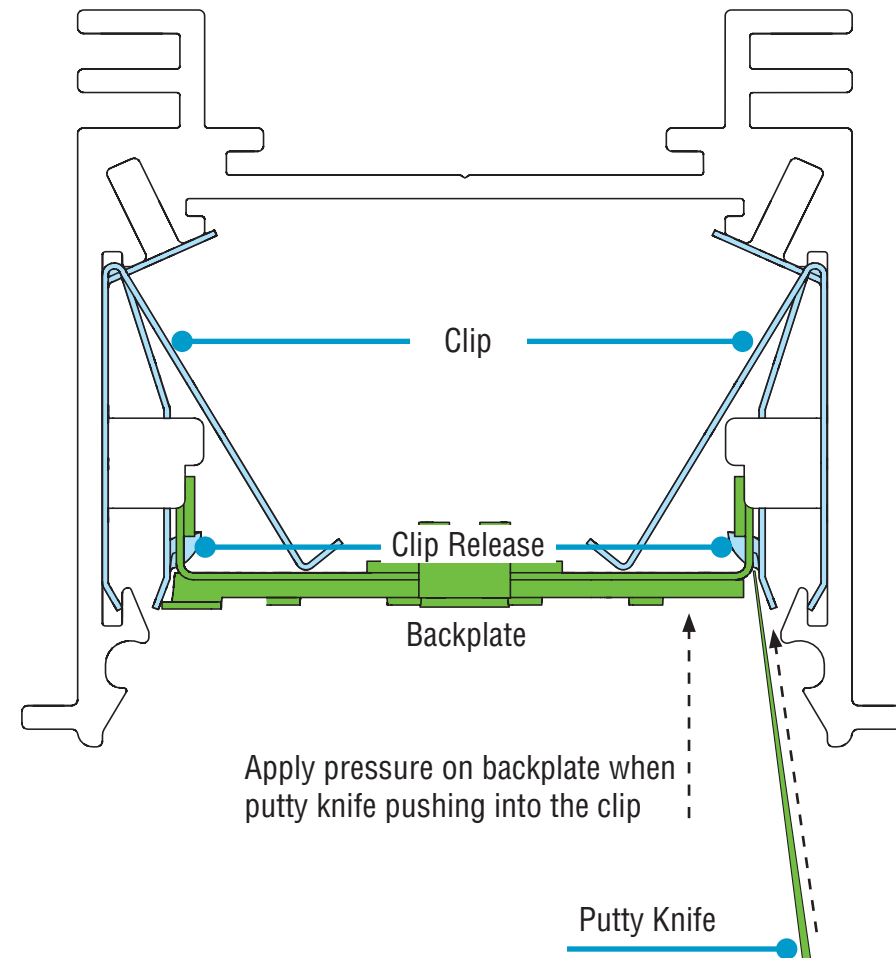
# HPX Recessed T-Bar Installation Instructions

## Step 3 - Opening Luminaires

**Remove Downlight Backplates** Bottom View

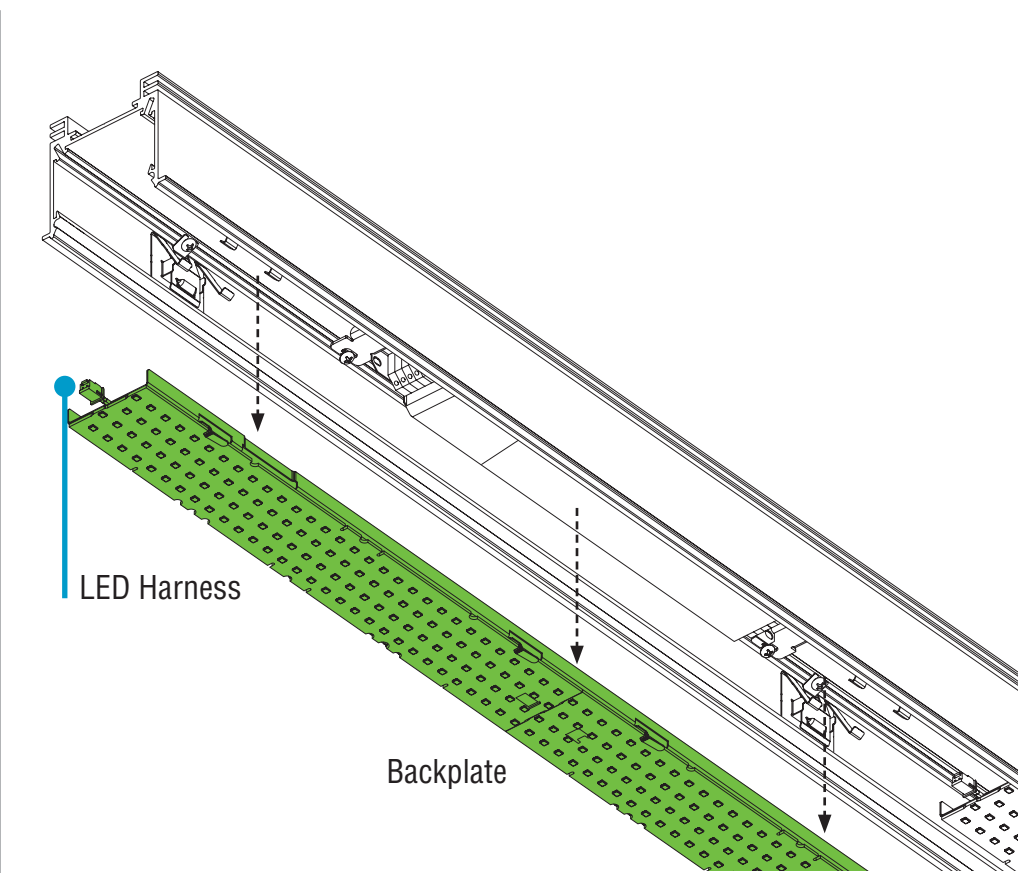


- Locate the backplate clip and use Putty Knife or Flat Head Screwdriver slide into either side of the clip
- Apply mild pressure to backplate when Putty Knife or Flat Head Screwdriver pushing into backplate clip release



- Hear a click sound to release the backplate
- Four backplate clip per LED backplate. Release all four before remove backplate

**Remove Downlight Backplates** Bottom View

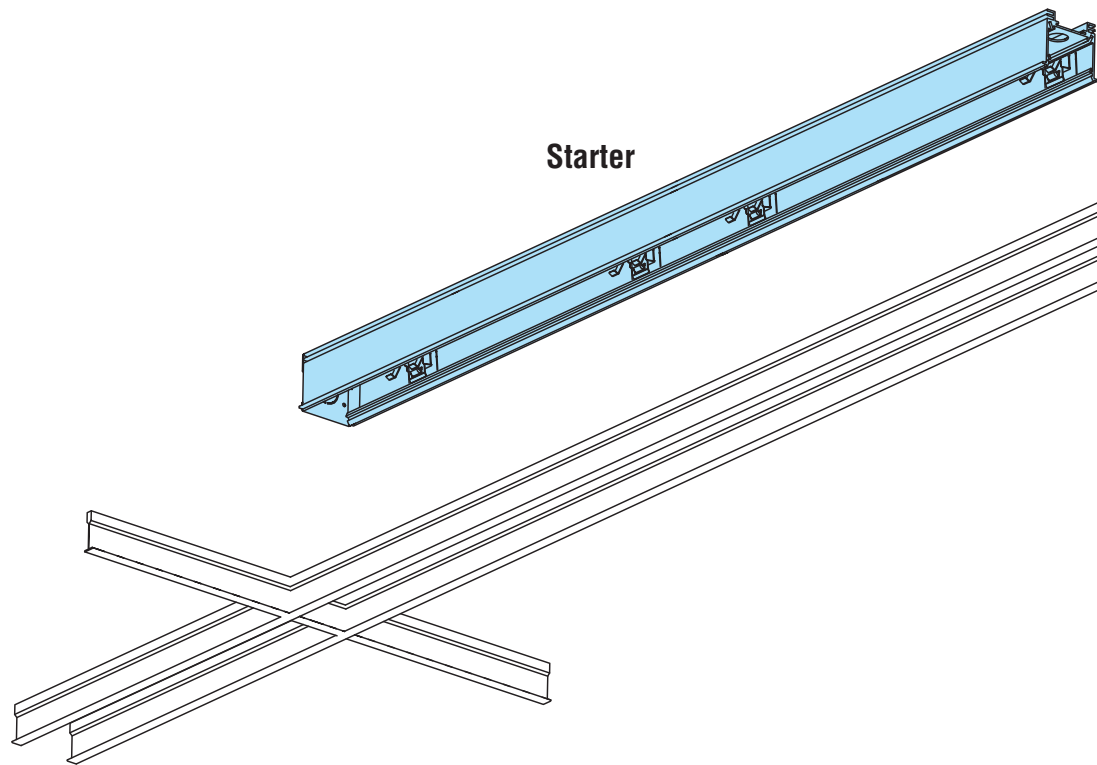


- Set aside backplates to prevent from getting dirty or damaged.
- Ensure backplates can be clearly identified back to their corresponding luminaire.

# HPX Recessed T-Bar Installation Instructions

## Step 4 - Mounting Starter to Structure

### A. Mount Starter to Structure

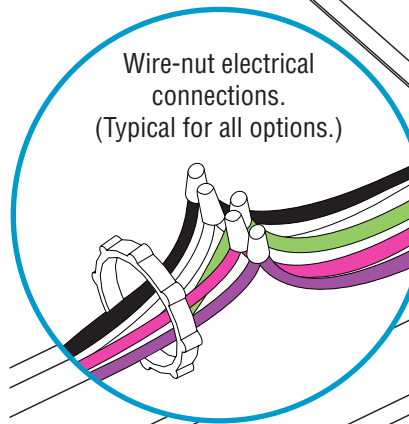


- Maneuver luminaire into ceiling space above T-Bar Ceiling
- Lower luminaire into place onto T-Bar
- Make electrical connections at ENDCAP, at TOP or with a SPLICE BOX
- If there is no joiner/ender. **PROCEED TO STEP 7, A**

### B. Make Electrical Connections

**WIRING LEGEND**

Black	Hot	Line Voltage
White	Neutral	Line Voltage
Green	Ground	
Pink	Dimming	0-10V DC
Purple	Dimming	0-10V DC



- Install conduit and jam nut.
- Wire-nut electrical connections. See wiring legend above.



0-10V  
Dimming

# HPX Recessed T-Bar Installation Instructions

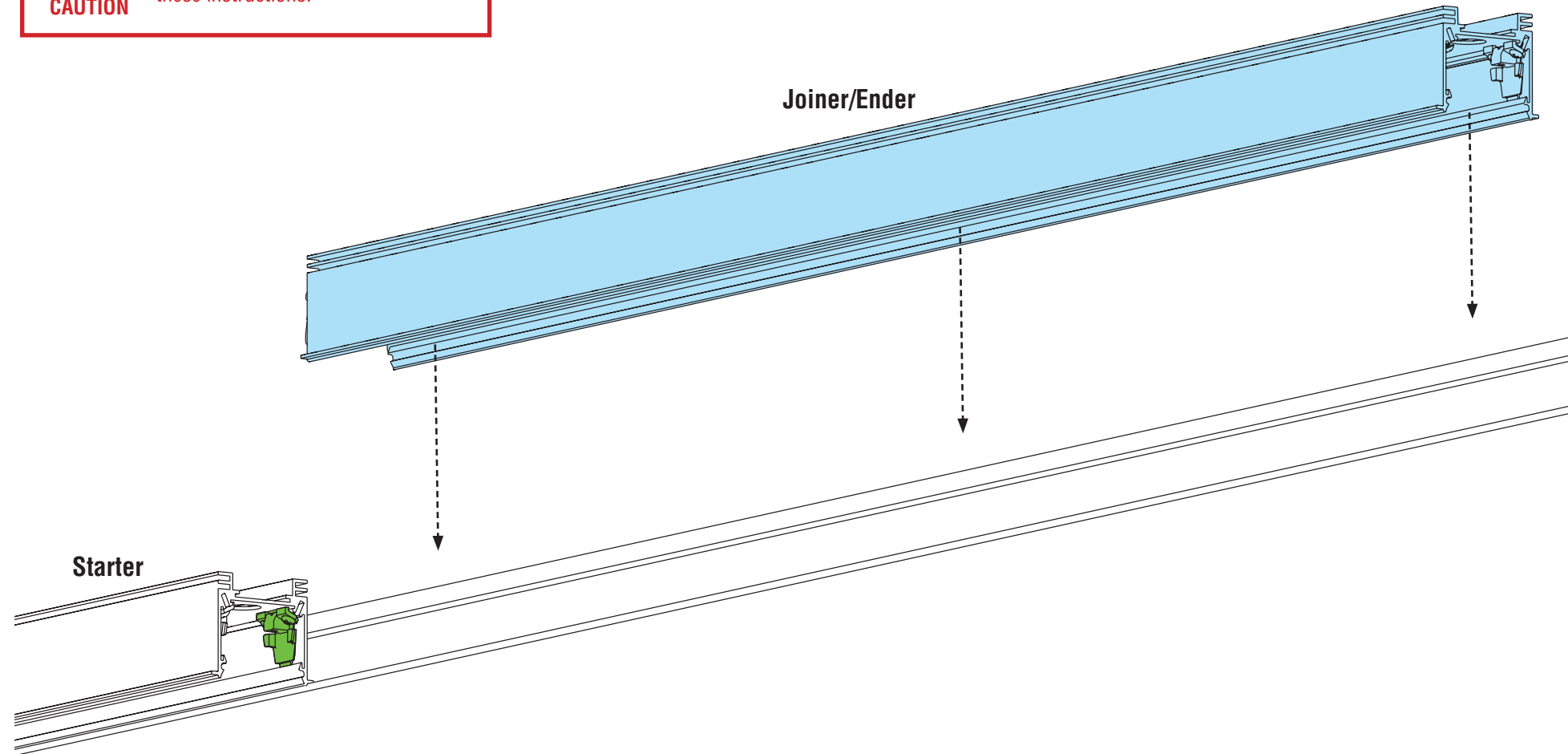
## Step 5 - Joining Luminaires

### A. Mount Starter to Structure



**CAUTION**

**DO NOT** attempt to join luminaires together on the floor. Damage may result when lifted. Follow these instructions.



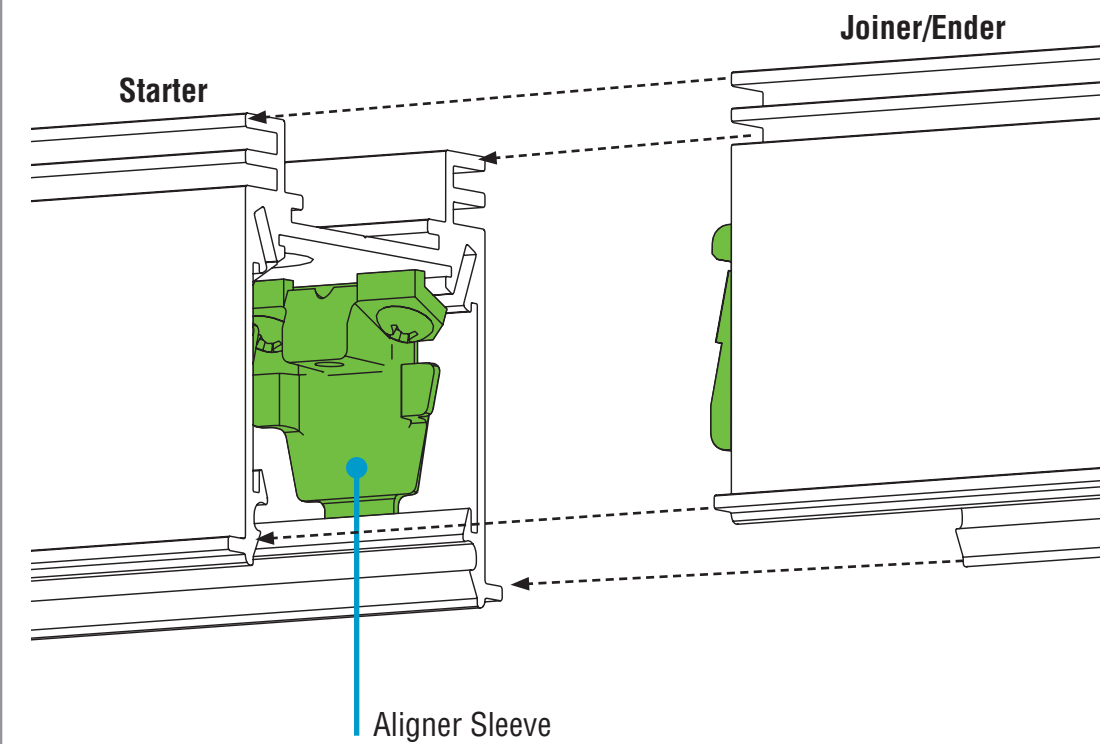
- Maneuver joiner/ender into ceiling and position onto T-bar.

### B. Mount Starter to Structure



**CAUTION**

Once luminaires are aligned together, **joiner luminaire is not yet secure.** Ensure it does not slide off as it rests on the starter luminaire.

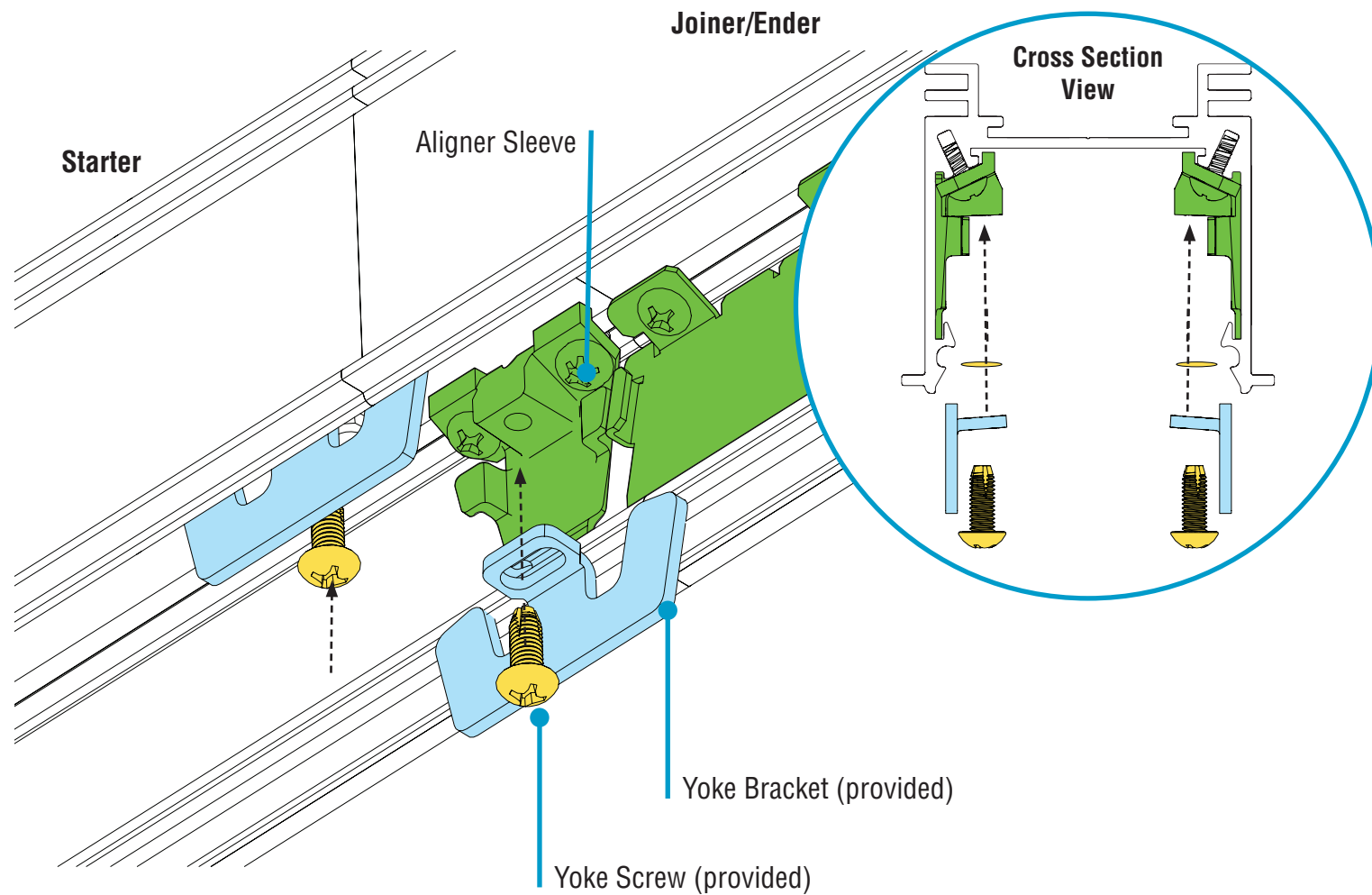


- Align joiner/ender with aligner sleeves on starter and slide together. Be careful not to damage any wiring.
- If necessary, **lift** both luminaires, then slide together.

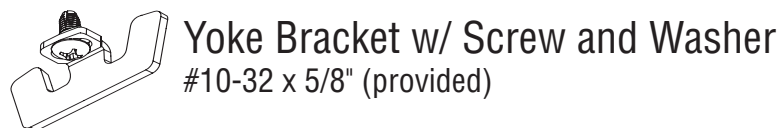
# HPX Recessed T-Bar Installation Instructions

## Step 6 - Securing Luminaire Joints

### A. Secure Joint with Yoke Brackets Bottom-Up View

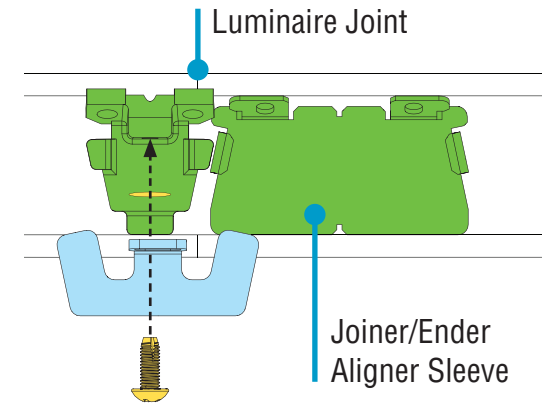


- Before installing yoke brackets, ensure the joining ends of luminaires meet flush and square.
- **CRITICAL:** Ensure yoke brackets properly engage with aligner sleeves.
- Secure joint by threading (but not yet tightening) yoke screws through yoke brackets and washers and into the aligner sleeves.
- **NOTE:** Ensure luminaires meet flush and square before fully tightening yoke screws.
- Tighten yoke screws<sup>1</sup> until joint seam of luminaires is closed.

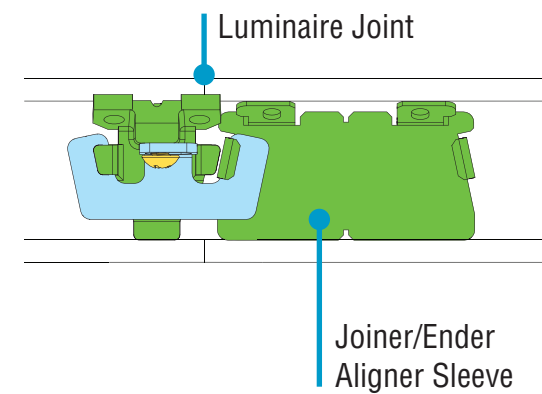


<sup>1</sup> Screwdriver with 6" bit required.

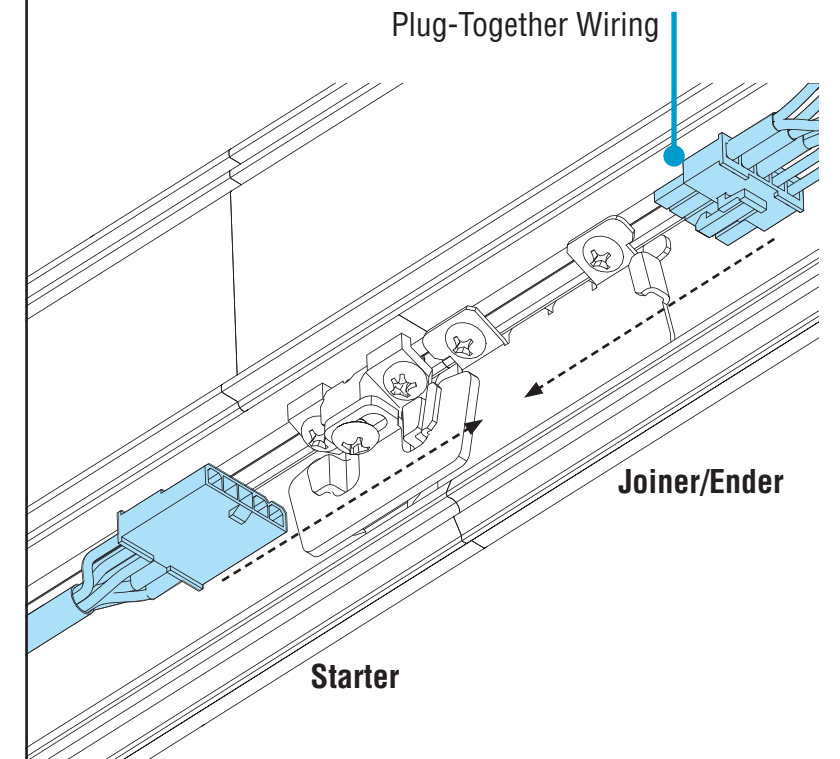
### IN ALIGNMENT



### CORRECTLY INSTALLED



### B. Make Electrical Connections Bottom-Up View



- Connect plug-together wiring.



HPX Joints

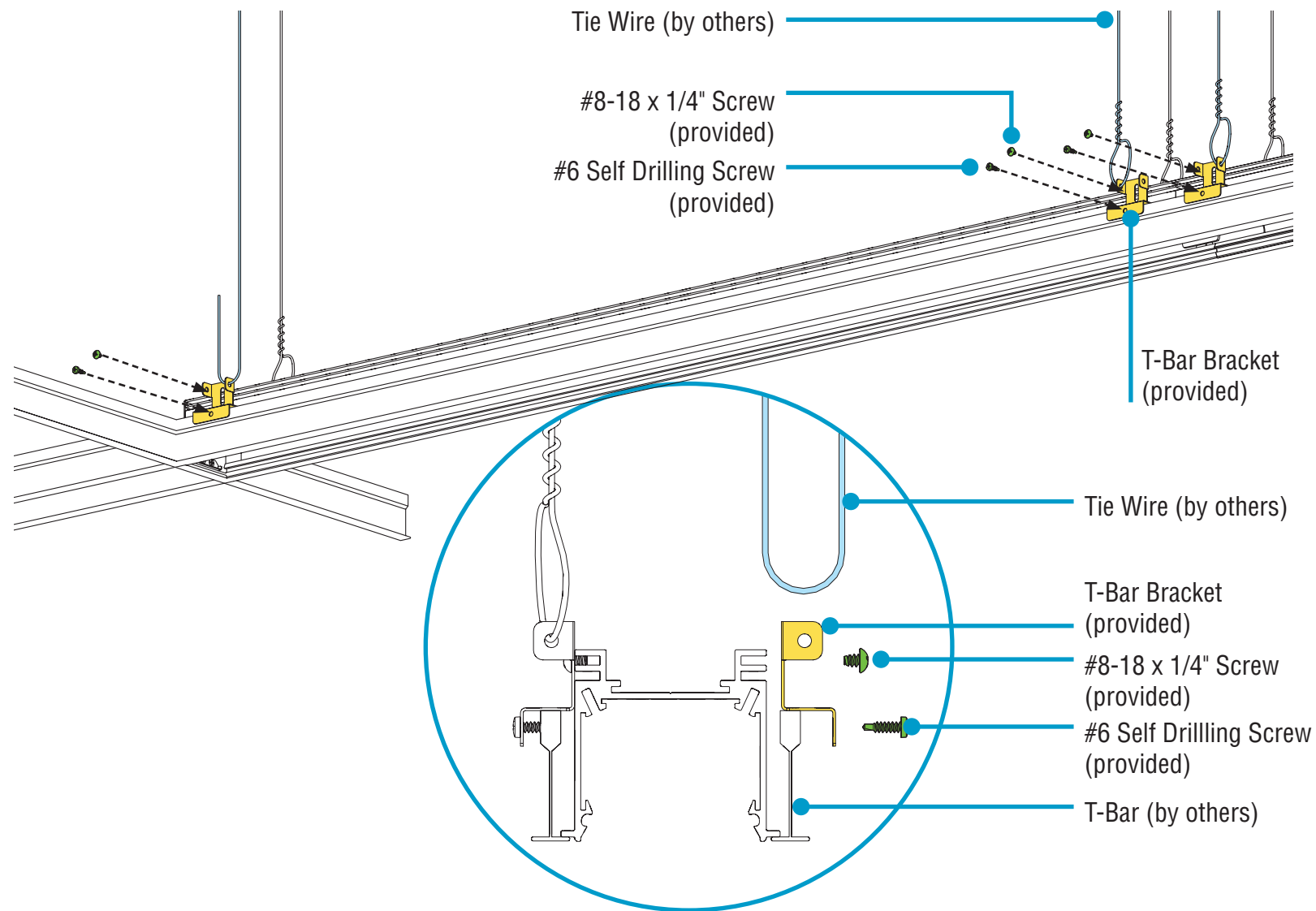


Simple  
Plug-Together  
Wiring

# HPX Recessed T-Bar Installation Instructions

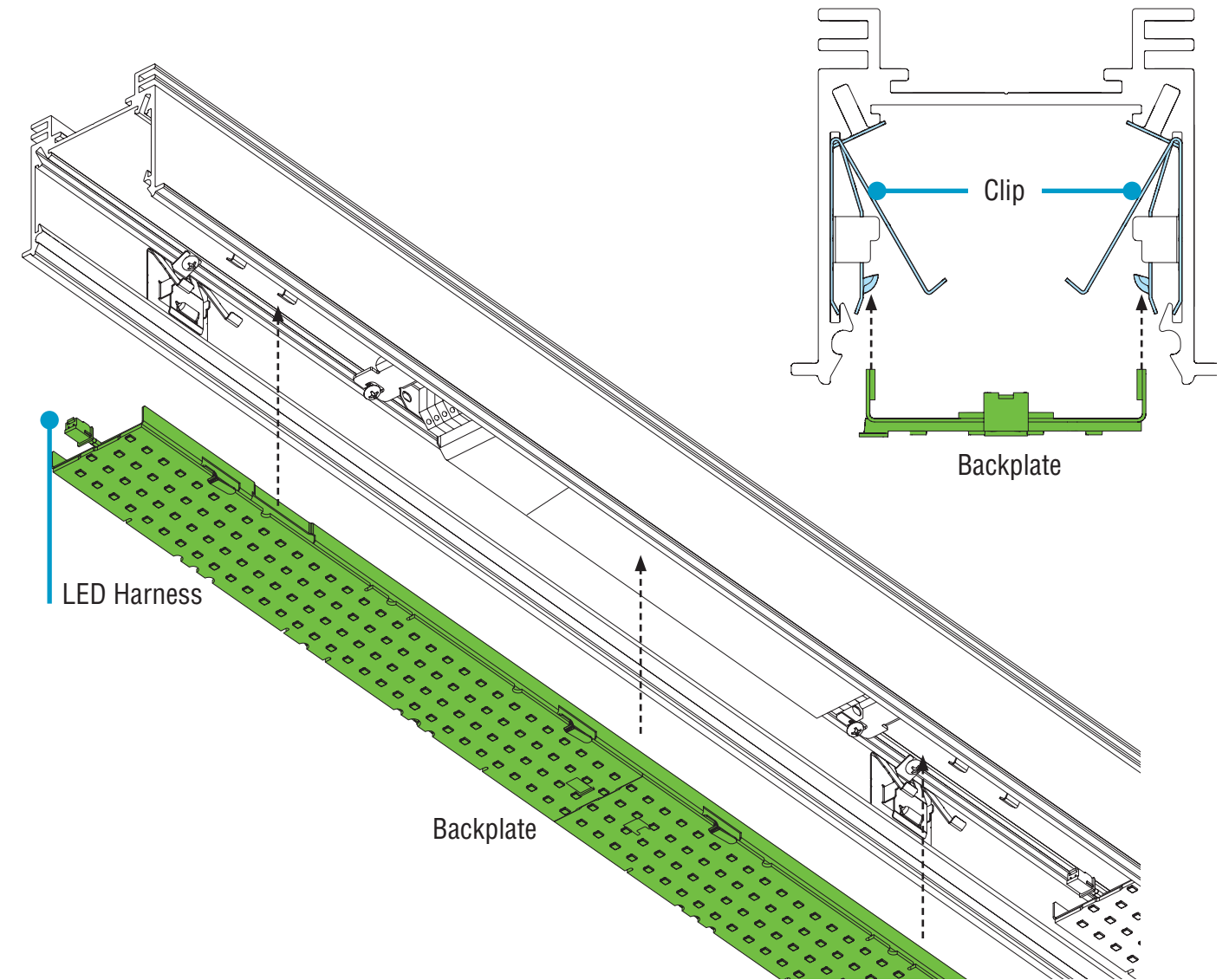
## Step 7 - Closing Luminaires

### A. Secure to Structure




- Use #8 self-drilling screws to mount brackets onto luminaire. Drive the screws into the v-groove screw channel.
- Secure luminaire to building structure using tie-wires, as per code.
- Use #6 self-drilling screws to mount T-Bar brackets to T-Bar ceiling.
- **CAUTION:** Do not over-tighten. Use these screws to control centering of the luminaire between the T-Bars on both sides.  
T Bar bracket does not rest on Grid

### B. Final Step - Replace Backplates



- Reinstall backplates by inserting into luminaire body. Hear 4 clicks per LED backplate. Make sure ALL LED backplate secure before install diffusers.

 **#8-18 x 1/4" Screws**  
Part# 69026

 **T-Bar Bracket (C1, C2, C3)**  
Part# 30170

 **#6 Self-Drilling Screw**  
Part# 94054

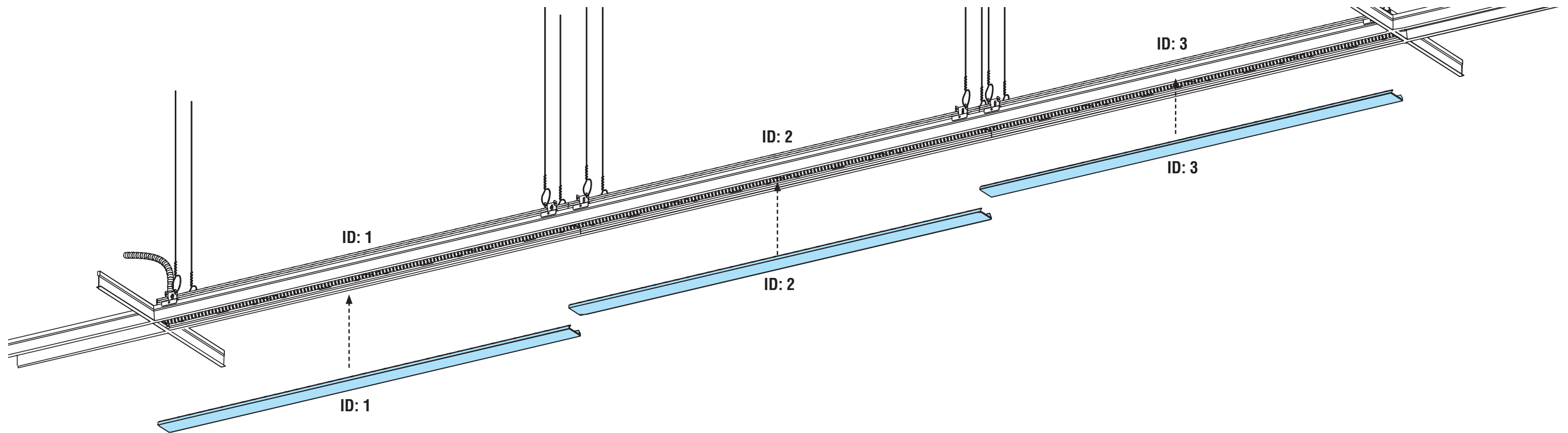
**CONTINUED**



# HPX Recessed T-Bar Installation Instructions

## Step 7 - Closing Luminaires

**C. Final Step - Replace Diffusers**



- **NOTE:** If your installation includes a battery backup, please see addendum (98333) that should be included with your kitting package.
- Remove diffusers from protective plastic bag.
- **CAUTION:** Wear gloves to keep diffuser surface clean.
- **CRITICAL:** Be sure to install correct diffuser to its corresponding luminaire ID.
- Install diffusers into luminaire body, ensuring they snap into place.
- Turn power on to luminaire.